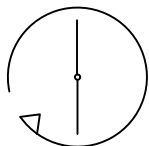
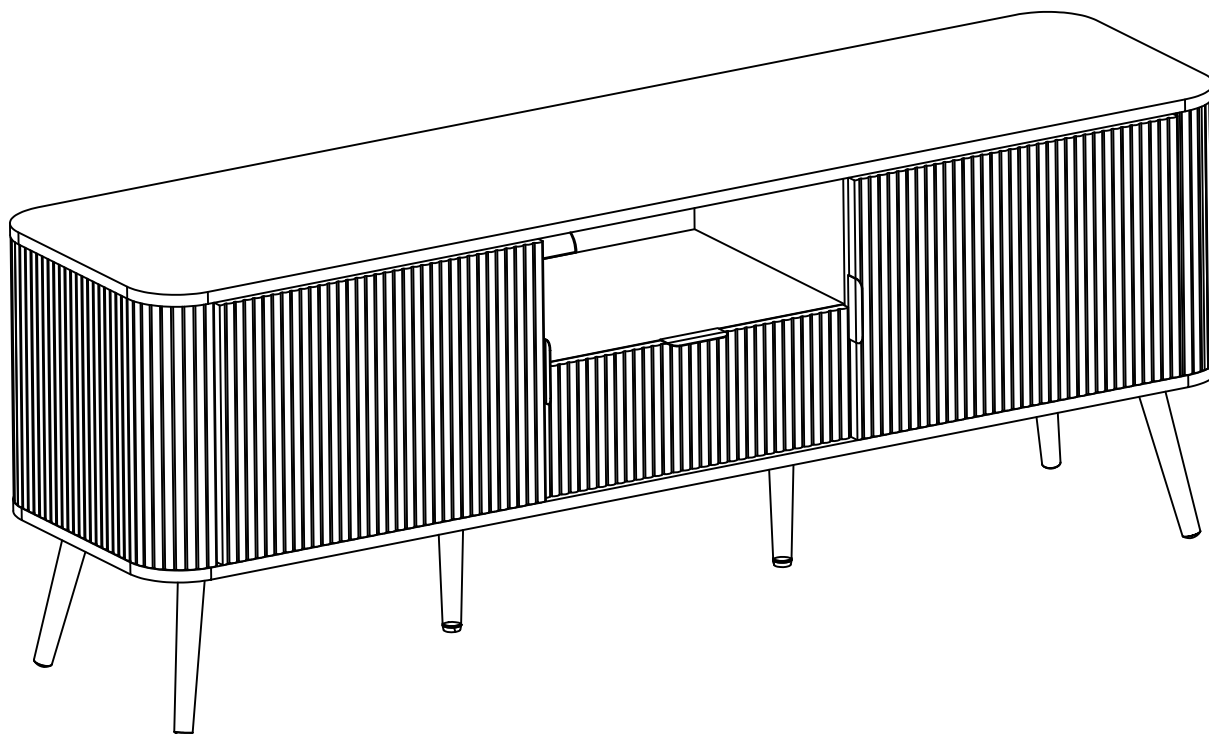


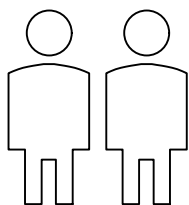
**DUSK.COM**  
LIVING | BEDROOM | DINING

Range Name : Hattie  
Box dimensions : 157x45x18cm

## Hattie TV Unit



Up to 60 minutes  
assembly time



Two person  
assembly

This product is intended for domestic use only, not for commercial purposes.

## IMPORTANT

### ASSEMBLY TIP

Before you begin, it's best to identify all of the parts and fittings to build your Willow Wardrobe frame. We advise laying these out on the floor to check you have everything, and to familiarise yourself with all of the parts and fittings before building.

### TOP TIP

We recommend that you assemble the Willow Wardrobe in the room you'd like it to be located. This will help prevent any risk of damage to the frame whilst moving it.

### SAFETY AND CARE

It's important to ensure children and animals are kept away from the assembly area, as there are small components used in this product which could present a choking hazard. All plastic and wrapping materials should also be kept away from children and animals to prevent any risk of suffocation.

### HELP AND SUPPORT

Please contact our customer service team on 0113 519 0311 if you have any questions or issues with your purchase.

### RECYCLING

Please ensure that packaging is disposed of in a safe and environmentally friendly way, and recycle where possible. Please keep your assembly instructions safe to refer back to in the future.

### CARE AND MAINTENANCE:

1. Only clean using a damp cloth, do not use bleach or abrasive cleaners as they may damage the finish over time.
2. Do not use a very wet cloth or allow any liquid to contact with the veneer for a long period of time. Wipe any spillage immediately. Absorption can cause wood to warp or finishes to de-laminate.
3. Do not scrub or rub the surface when cleaning.
4. Do not drag the Willow Wardrobe when moving, lift it off the floor instead.
5. Use a placemat or a coaster when putting hot items (e.g. hot drinks and dishes) on the wood surface.
6. It is not recommended to place the item next to sources of heat such as radiators, fires or directly exposed to sunlight. This may cause the wood to crack, split or fade due to the heat and humidity.
7. Wood will mellow and change colour over time, we recommend that ornaments and items placed on the surface to be moved regularly to prevent uneven mellowing.
8. Regularly check all fixings to ensure none have come loose. Re-tighten if necessary.
9. Avoid sharp items such as a screwdriver or any pointy tools.
10. Dispose of all packaging carefully and responsibly - recycle where possible.

# Parts list

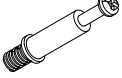
Before you begin building your Willow Wardrobe, please take a moment to read through the instructions and make sure that you have all the relevant parts listed on the parts check list.


Part Number	Part Description	Quantity
①	Leg	4pcs
②	Support Leg	2pcs
③	Top Panel	1pc
④	Bottom Panel	1pc
⑤	Back panel	1pc
⑥	Drawer Front	1pc
⑦	Drawer Bottom	1pc
⑧	Drawer Back	1pc
⑨	Drawer Right	1pc


Part Number	Part Description	Quantity
⑩	Drawer Left	1pc
⑪	Door Panel	2pcs
⑫	Left Middle Panel	1pc
⑬	Right Middle Panel	1pc
⑭	Side Shelf	2pcs
⑮	Middle Shelf	1pc
⑯	Left side panel	1pc
⑰	Right side panel	1pc


# Fittings


Please check you have all the fittings listed below with your product.


<b>A</b>	
M6.3*45mm Bolt	
24pcs+1pc extra	


<b>B</b>	
Ø15*12mm Cam Lock	
20pcs+1pc extra	


<b>C</b>	
Ø8*30mm Dowel	
28pcs+1pc extra	


<b>D</b>	
Ø12*9mm Cam Lock	
4pcs	


<b>E</b>	
M4*35mm Screw	
4pcs	


<b>F</b>	
M3*12mm Screw	
6pcs	


<b>G</b>	
M3.5*14mm Screw	
24pcs+1pc extra	


<b>H</b>	
M3.5*14mm Screw	
4pcs	


<b>I</b>	
M7*38mm Screw	
8pcs+1pc extra	

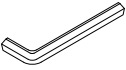
<b>J</b>	
M6*15mm Screw	
24pcs+1pc extra	

<b>K</b>	
Cover	
12pcs+1pc	

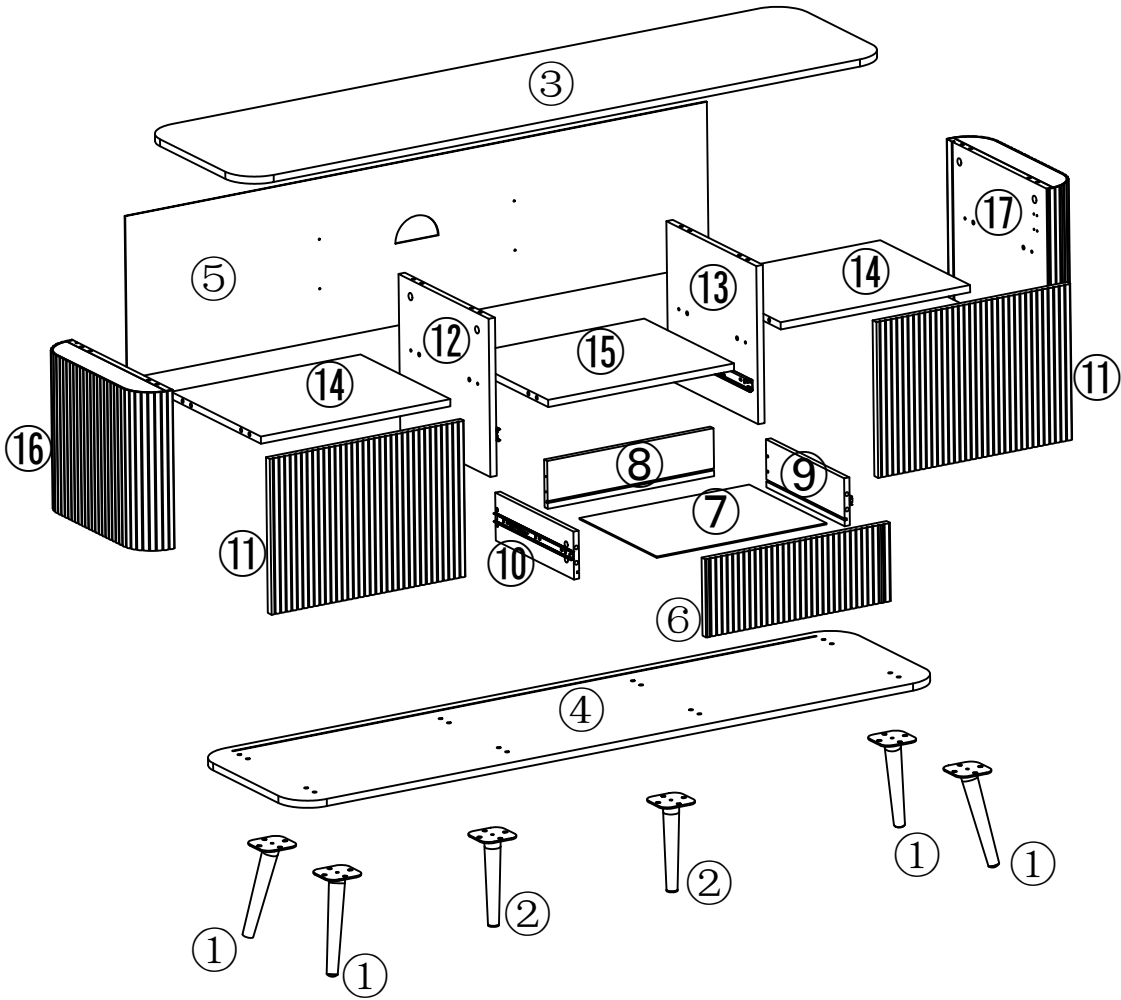
<b>L</b>	
Handle	
3pcs	

<b>M</b>	
Hinge	
4pcs	

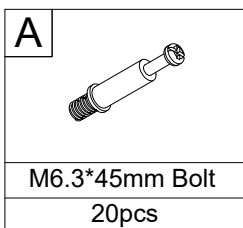
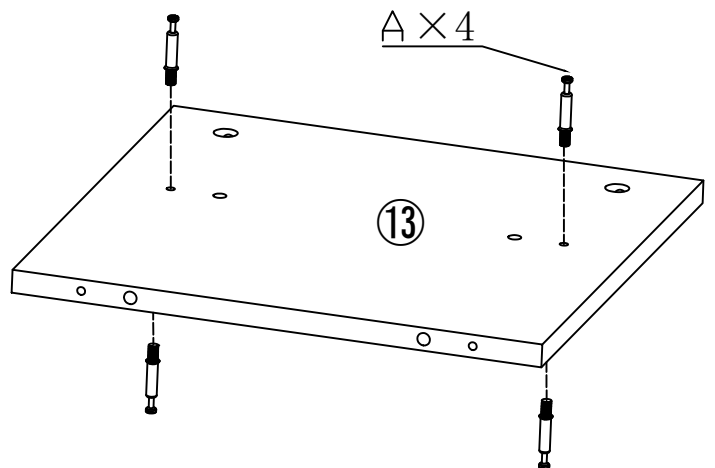
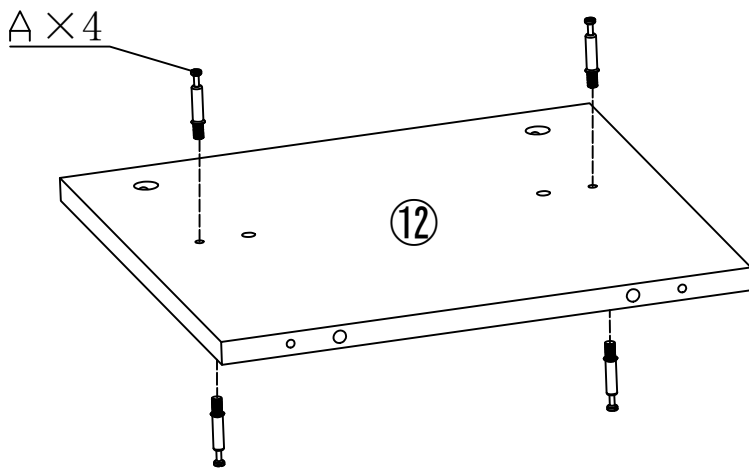
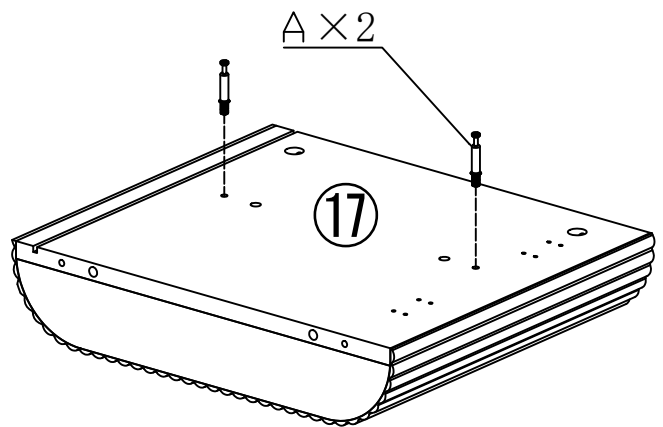
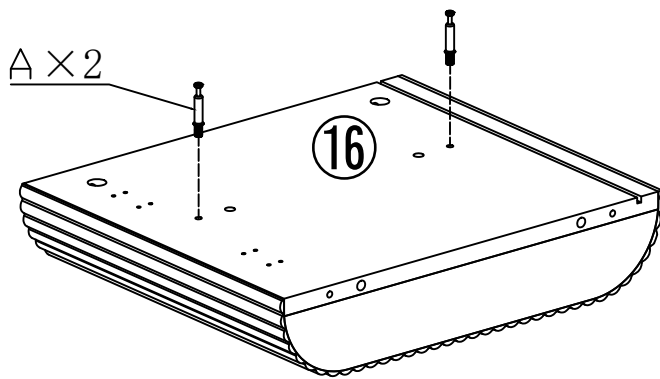
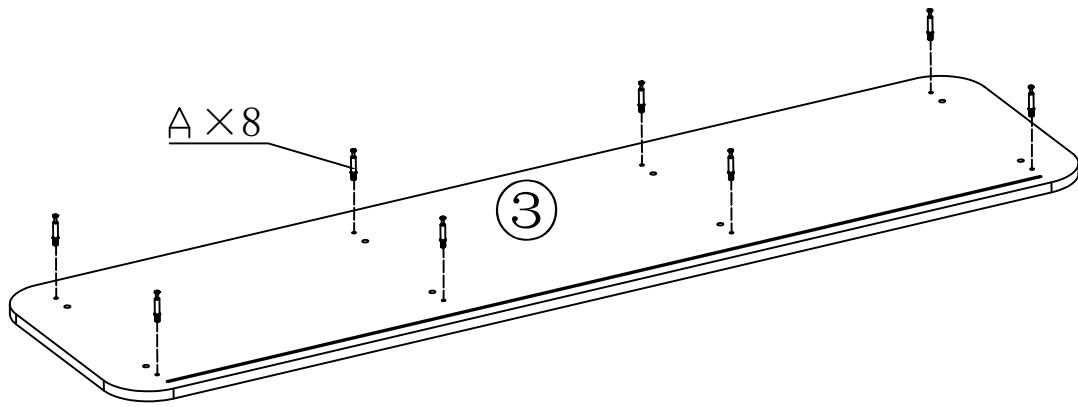
<b>N</b>	
Adjustable Feet	
2pcs	

<b>O</b>	
4mm Allen Key	
1pc	

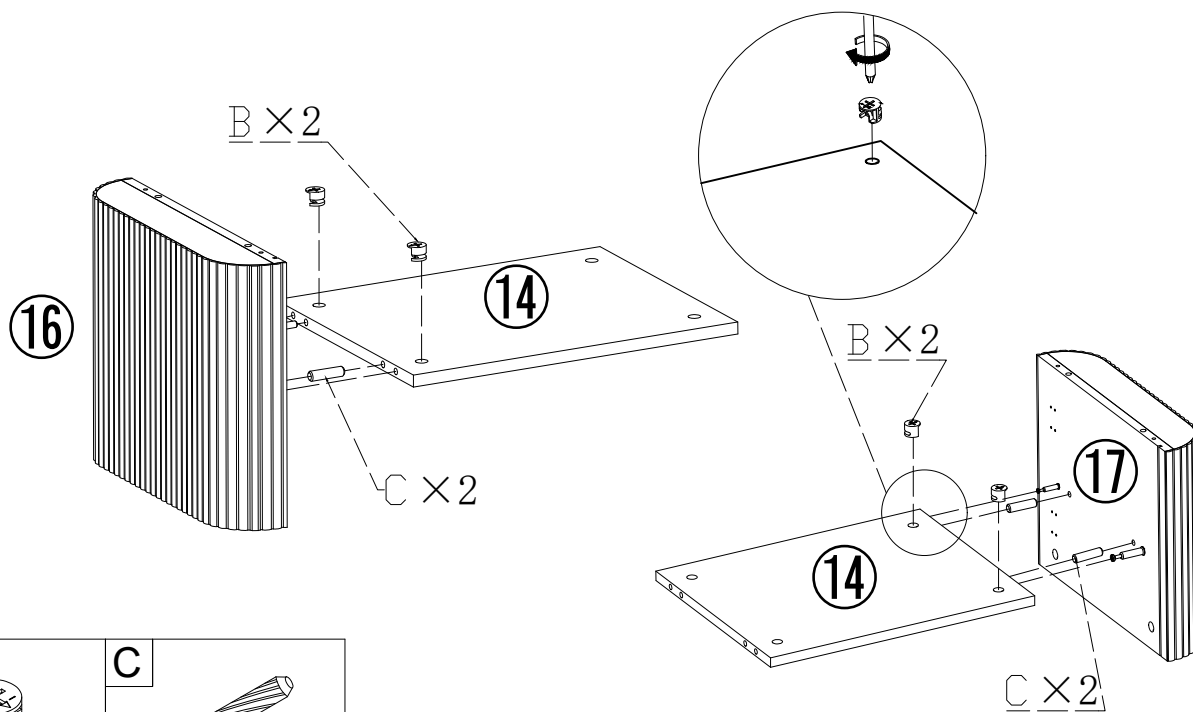
# Parts list





# 1. Attach parts to the boards.

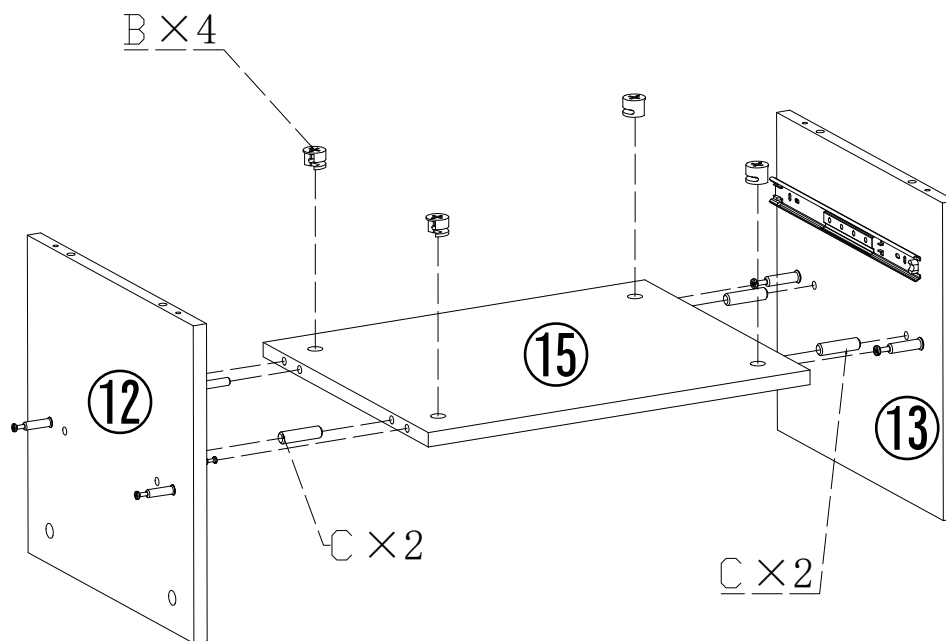


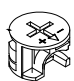

## 2. Attach parts to the boards.



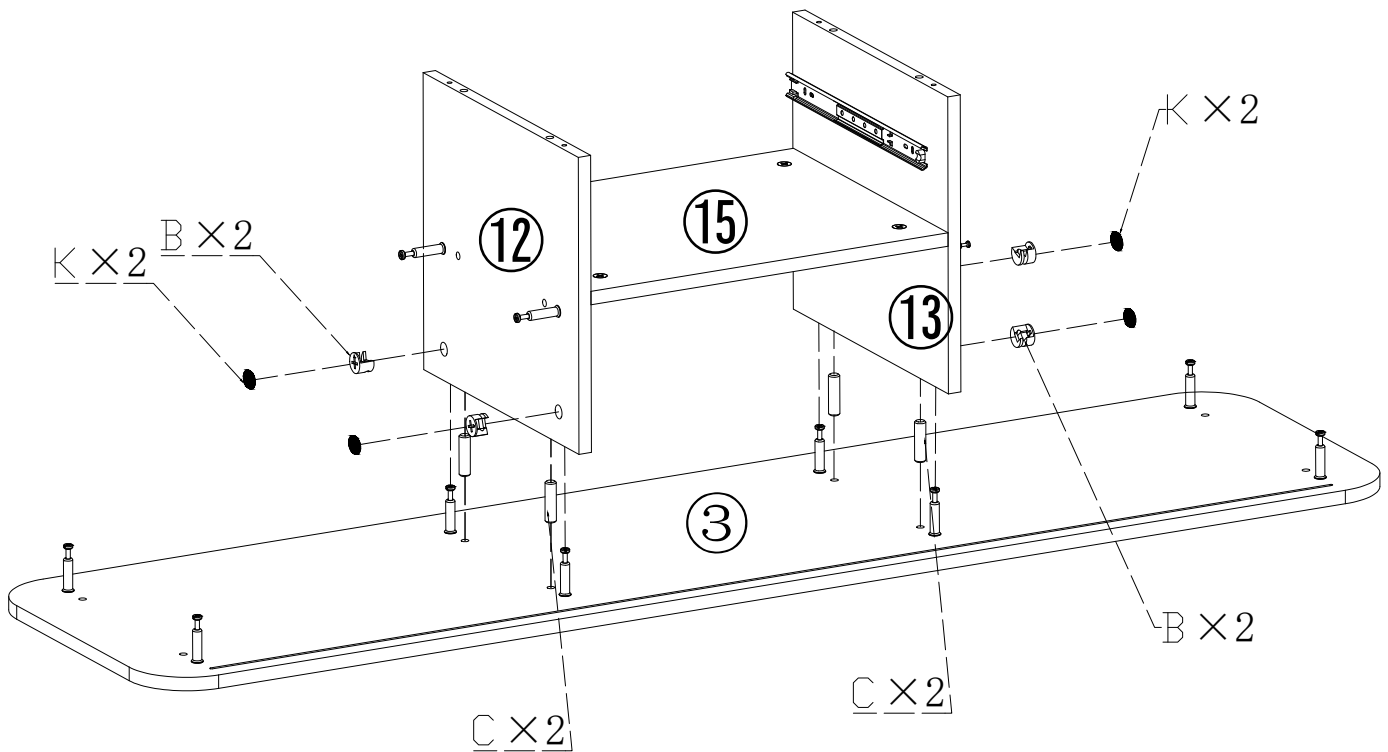
B	C
	
Ø15*12mm Cam Lock	Ø8*30mm Dowel
4pcs	4pcs




## 3. Attach parts to the boards.



B	C
	
Ø15*12mm Cam Lock	Ø8*30mm Dowel
4pcs	4pcs

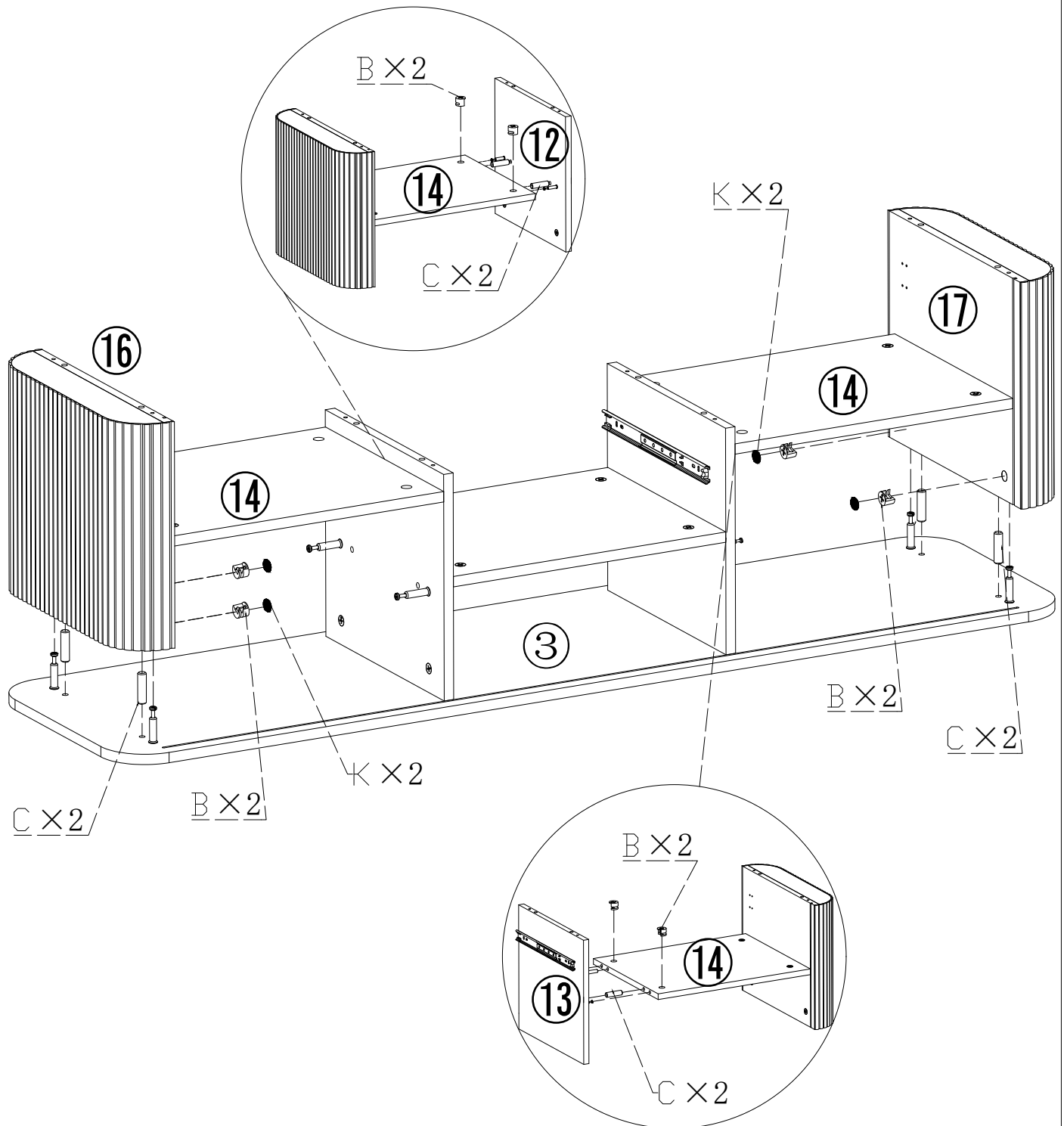
#### 4. Attach parts to the boards.

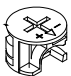




<b>B</b> 	<b>C</b> 	<b>K</b> 
Ø15*12mm Cam Lock 4pcs	Ø8*30mm Dowel 4pcs	Cover 4pcs

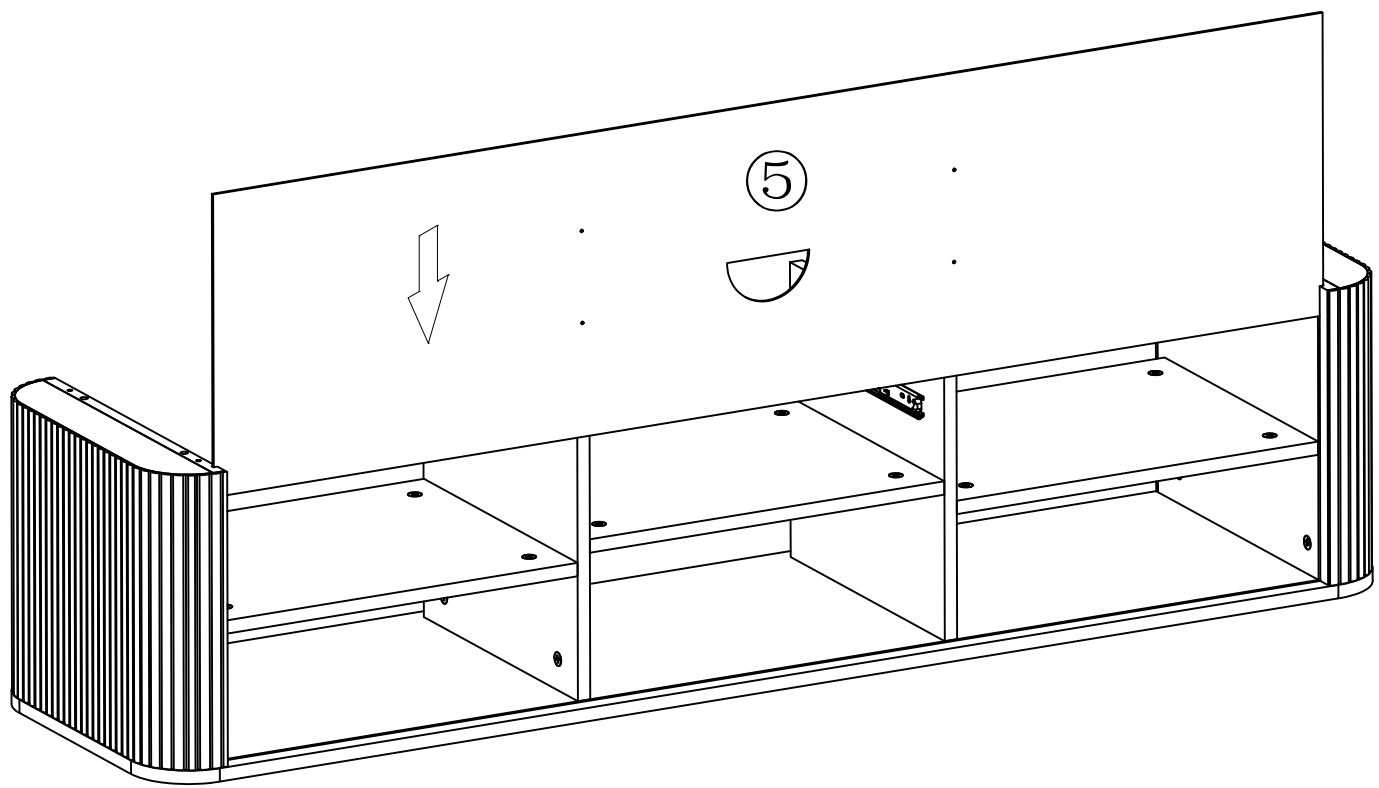


## 5. Attach parts to the boards.

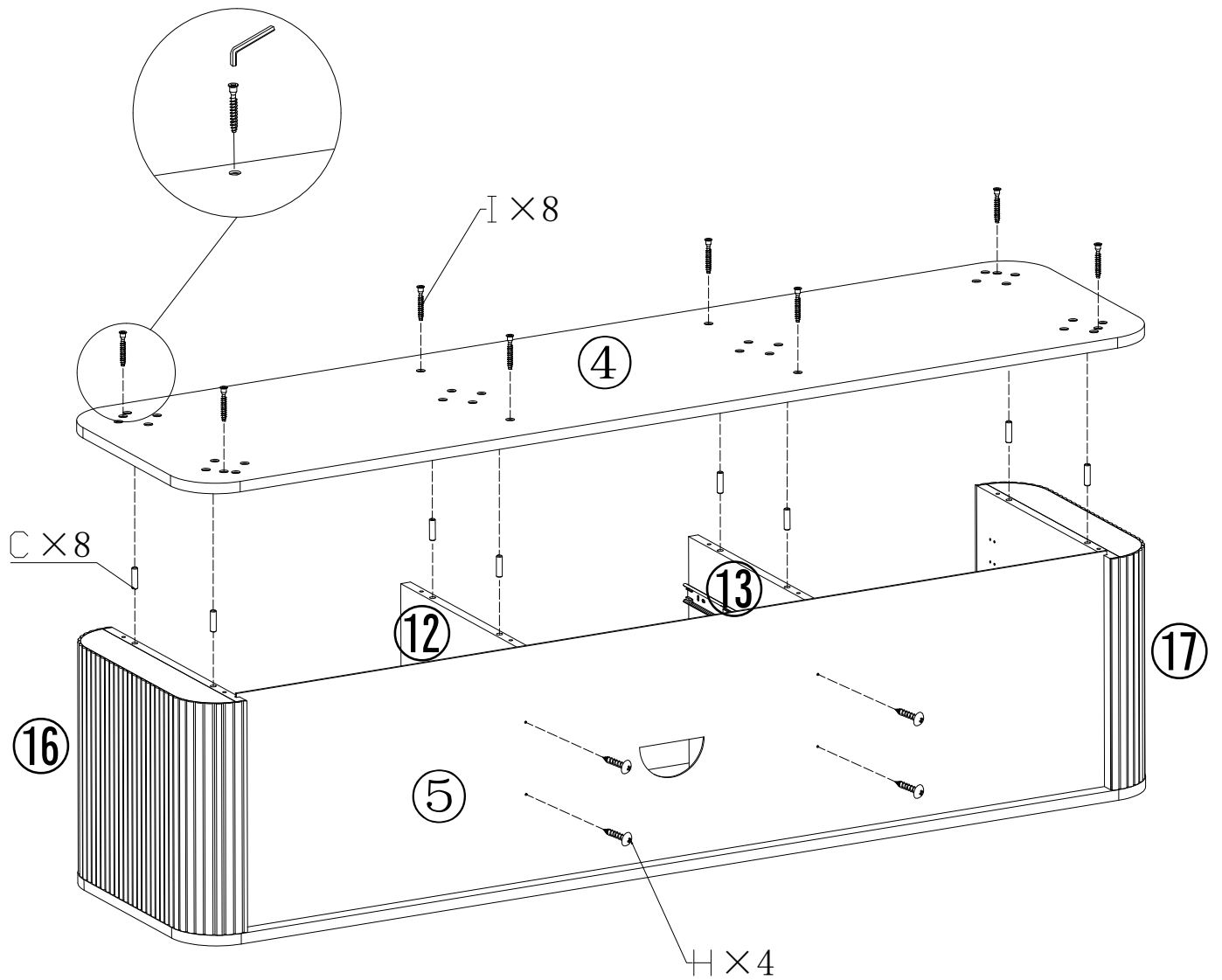


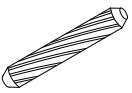



<b>B</b> 	<b>C</b> 	<b>K</b> 
Ø15*12mm Cam Lock 8pcs	Ø8*30mm Dowel 8pcs	Cover 4pcs

6. Attach back to the frame.

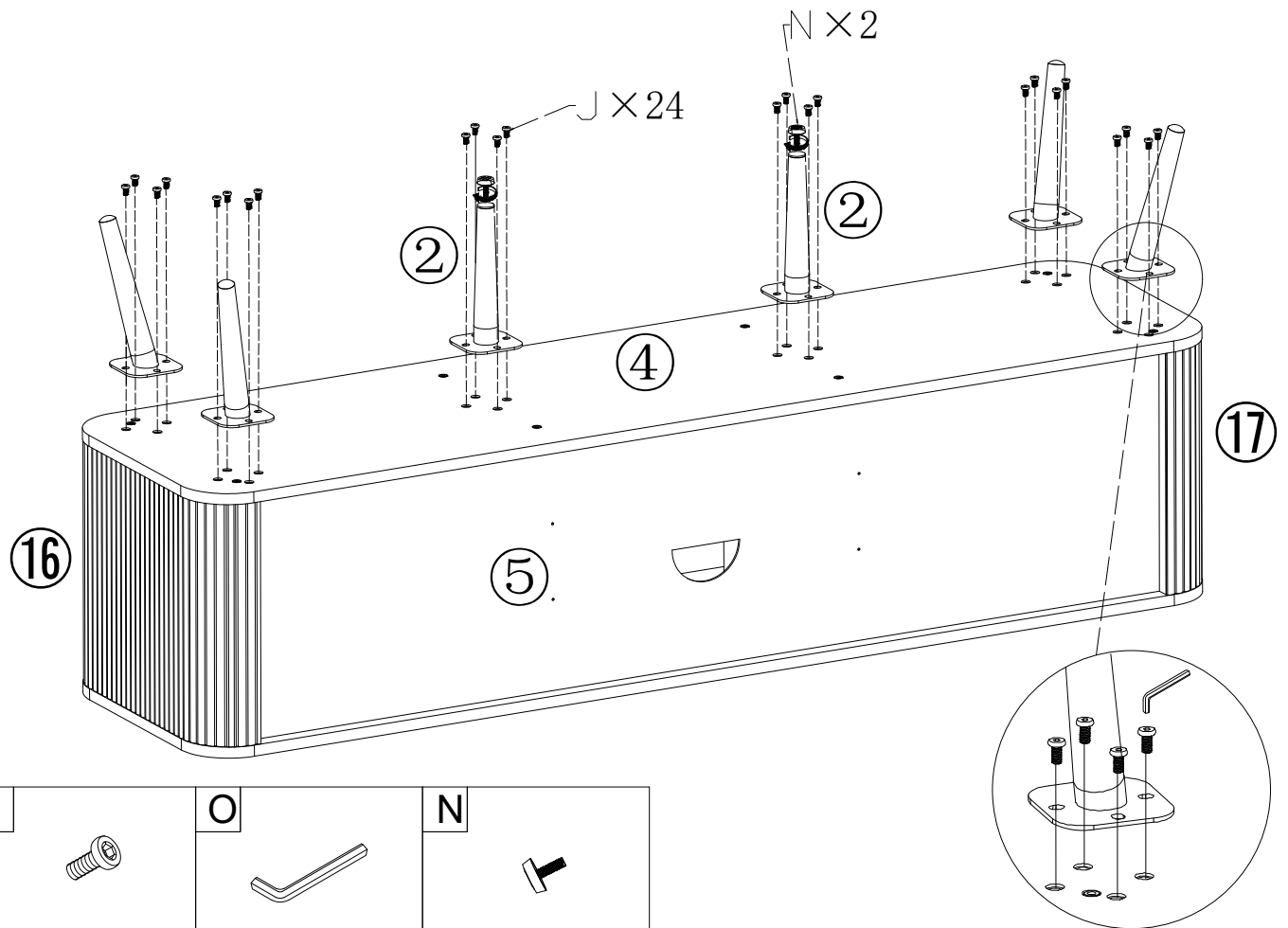



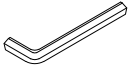

## 7. Attach parts to the boards.



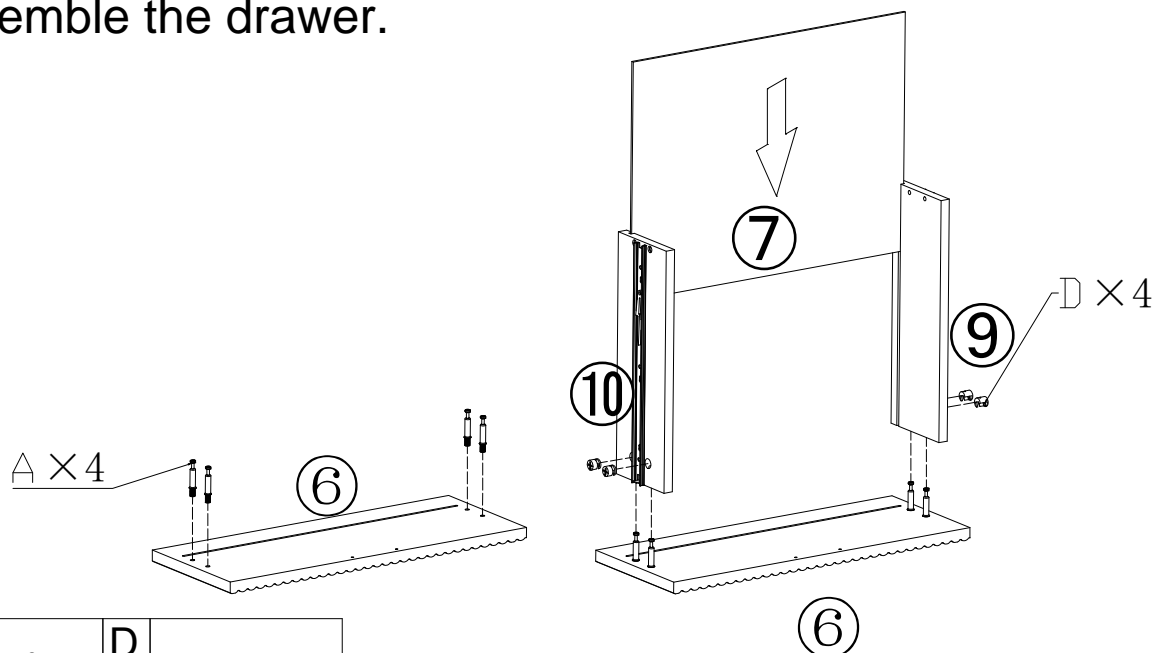
<b>C</b>	<b>I</b>	<b>H</b>	<b>O</b>
			
Ø8*30mm Dowel 8pcs	M7*38mm Screw 8pcs	M3.5*14mm Screw 4pcs	4mm Allen Key 1pc

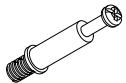

## 8. Assemble the leg to the frame.



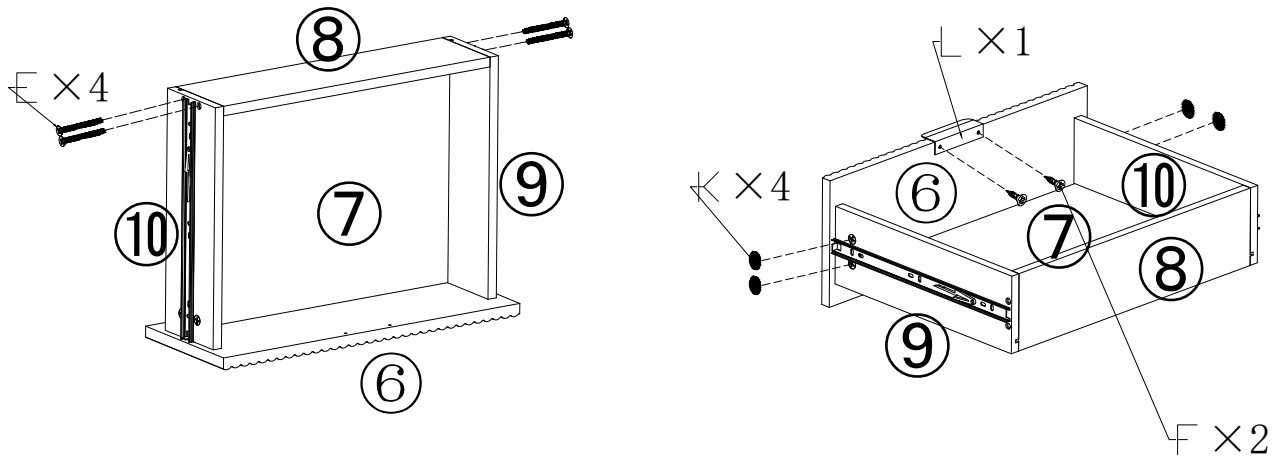
<b>J</b>	<b>O</b>	<b>N</b>
		
M6*15mm Screw 24pcs	4mm Allen Key 1pc	Adjustable Feet 2pcs




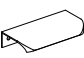
## 9. Assemble the drawer.



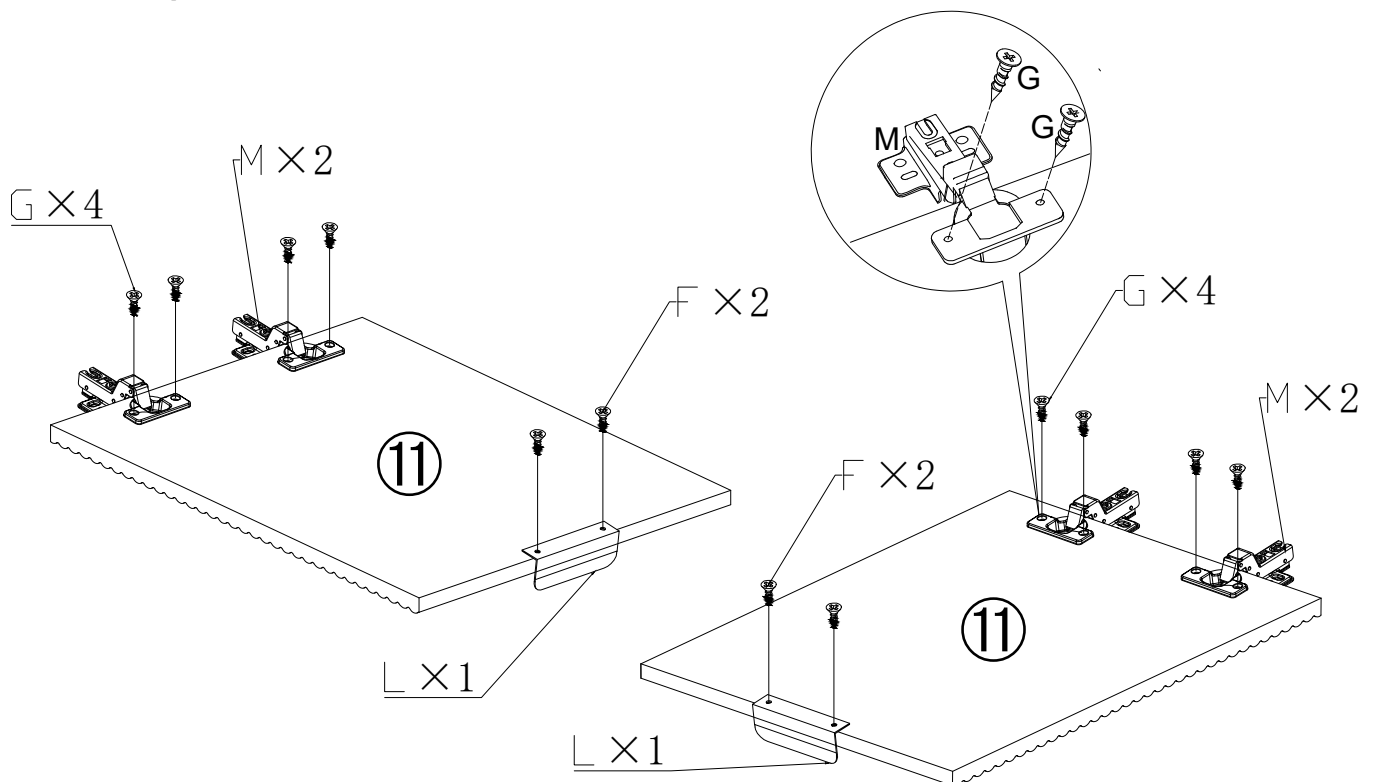
<b>A</b>	<b>D</b>
	
M6.3*45mm Bolt 4pcs	Ø12*9mm Cam Lock 4pcs



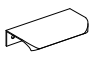

## 10. Attach parts to the boards.



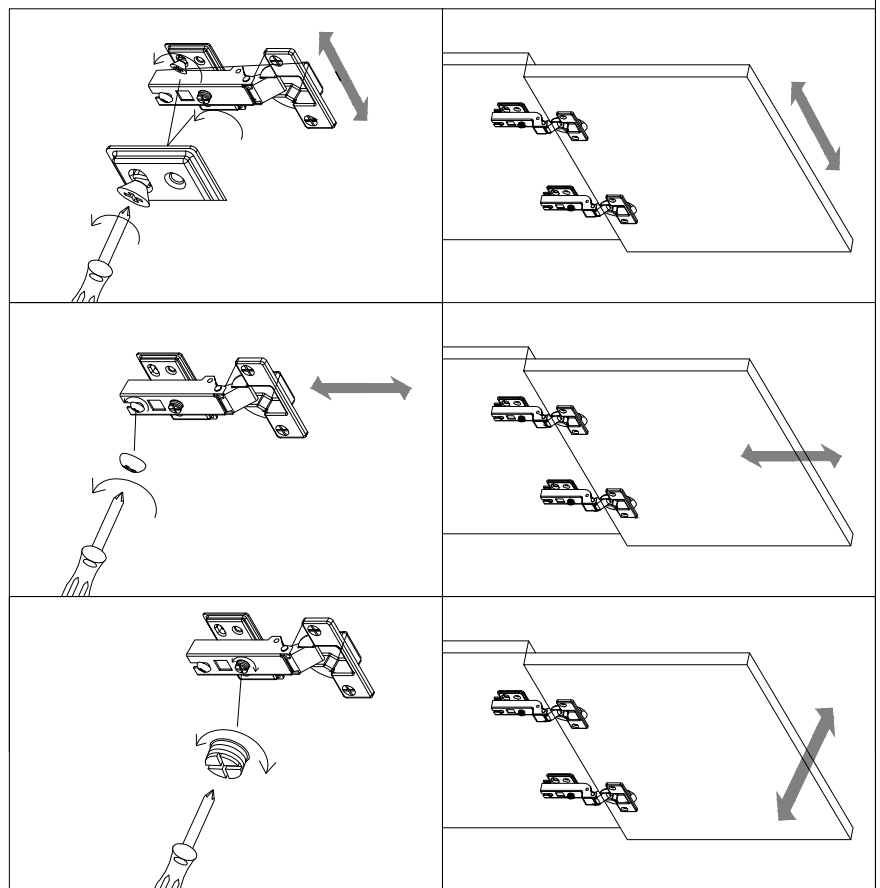
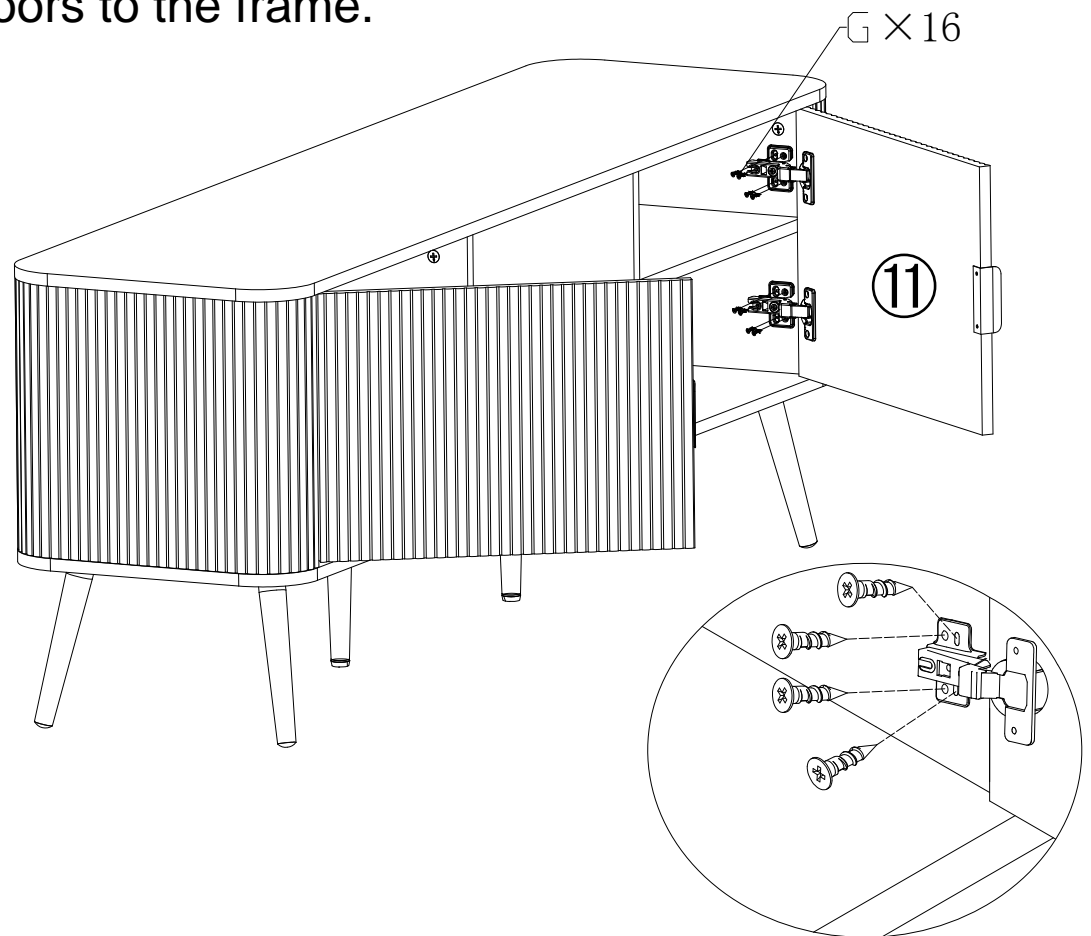
E	F	K	L
			
M4*35mm Screw 4pcs	M3*12mm Screw 2pcs	Cover 4pcs	Handle 1pc


## 11. Attach parts to the boards.



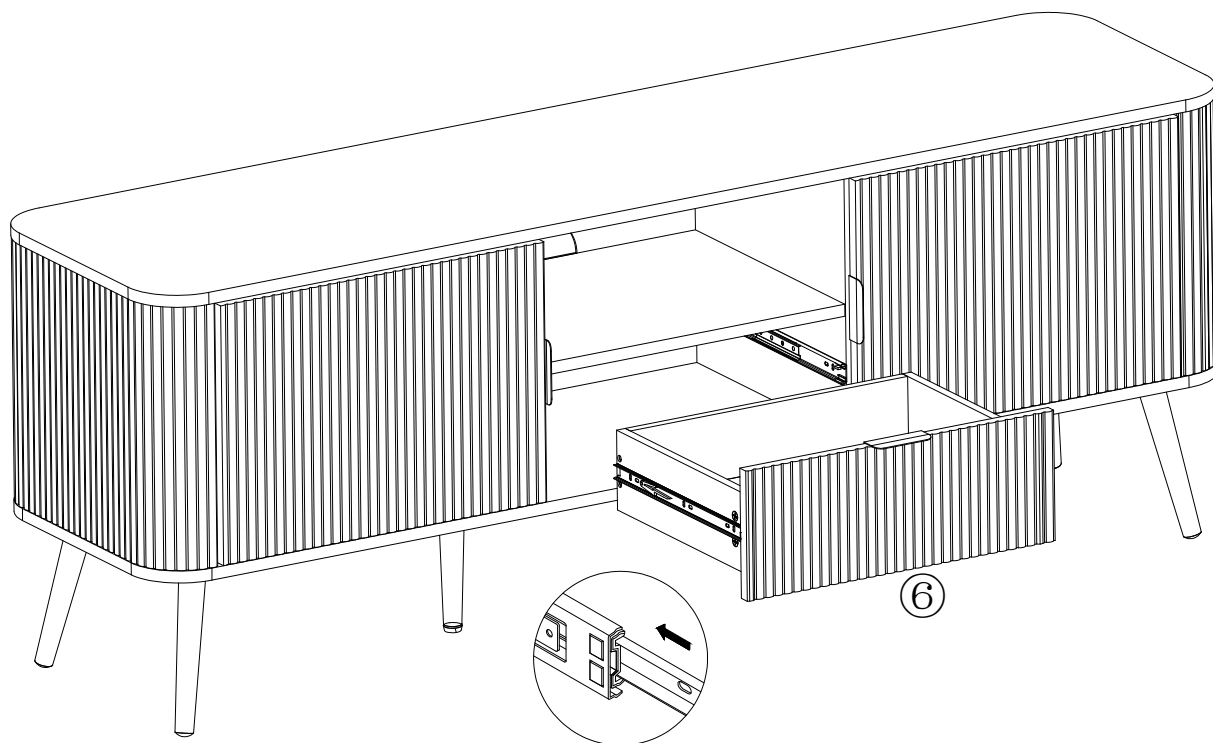
F	G	L	M
			
M3*12mm Screw 4pcs	M3.5*14mm Screw 8pcs	Handle 2pcs	Hinge 4pcs

## 12. Assemble doors to the frame.



<b>G</b>

M3.5*14mm Screw 16pcs

## 12. Assemble drawer to the TV Unit.



## 13.

