

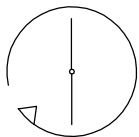
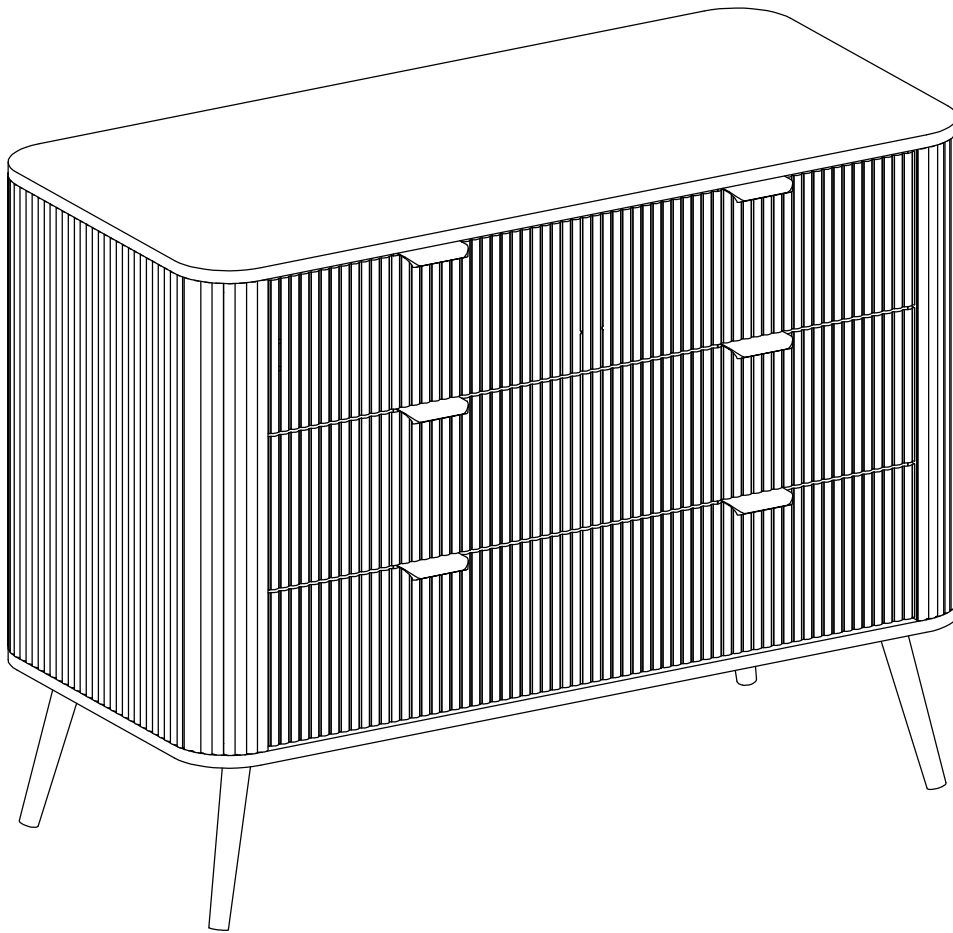
DUSK.COM

LIVING | BEDROOM | DINING

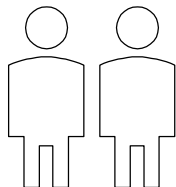
Range Name : Hattie

Box dimensions : 125x56x20cm

Hattie 3 Drawer Small Chest



Up to 60 minutes
assembly time



Two person
assembly

This product is intended for domestic use only, not for commercial purposes.

P-1-11

IMPORTANT

ASSEMBLY TIP

Before you begin, it's best to identify all of the parts and fittings to build your 3 Drawer Chest frame. We advise laying these out on the floor to check you have everything, and to familiarise yourself with all of the parts and fittings before building.

TOP TIP

We recommend that you assemble the 3 Drawer Chest in the room you'd like it to be located. This will help prevent any risk of damage to the frame whilst moving it.

SAFETY AND CARE

It's important to ensure children and animals are kept away from the assembly area, as there are small components used in this product which could present a choking hazard. All plastic and wrapping materials should also be kept away from children and animals to prevent any risk of suffocation.

HELP AND SUPPORT

Please contact our customer service team on 0113 519 0311 if you have any questions or issues with your purchase.

RECYCLING

Please ensure that packaging is disposed of in a safe and environmentally friendly way, and recycle where possible. Please keep your assembly instructions safe to refer back to in the future.

CARE AND MAINTENANCE:

1. Only clean using a damp cloth, do not use bleach or abrasive cleaners as they may damage the finish over time.
2. Do not use a very wet cloth or allow any liquid to contact with the veneer for a long period of time. Wipe any spillage immediately. Absorption can cause wood to warp or finishes to de-laminate.
3. Do not scrub or rub the surface when cleaning.
4. Do not drag the 3 Drawer Chest when moving, lift it off the floor instead.
5. Use a placemat or a coaster when putting hot items (e.g. hot drinks and dishes) on the wood surface.
6. It is not recommended to place the item next to sources of heat such as radiators, fires or directly exposed to sunlight. This may cause the wood to crack, split or fade due to the heat and humidity.
7. Wood will mellow and change colour over time, we recommend that ornaments and items placed on the surface to be moved regularly to prevent uneven mellowing.
8. Regularly check all fixings to ensure none have come loose. Re-tighten if necessary.
9. Avoid sharp items such as a screwdriver or any pointy tools.
10. Dispose of all packaging carefully and responsibly - recycle where possible.

Parts list

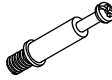
Before you begin building your 3 Drawer Chest, please take a moment to read through the instructions and make sure that you have all the relevant parts listed on the parts check list.


Part Number	Part Description	Quantity
①	Leg	4pcs
②	Centre Support	1pc
③	Top Panel	1pc
④	Back Support Bar	1pc
⑤	Bottom Panel	1pc
⑥	Drawer Support	3pcs
⑦	Drawer Front	3pcs
⑧	Drawer Back	3pcs


Part Number	Part Description	Quantity
⑨	Drawer Right	3pcs
⑩	Drawer Left	3pcs
⑪	Drawer Bottom	3pcs
⑫	Back Panel	2pcs
⑬	Left Side Panel	1pc
⑭	Right Side Panel	1pc
⑮	Plastic Slot	1pc


Fittings


Please check you have all the fittings listed below with your product.


A	
M6*45mm Bolt 27pcs+1pc extra	


B	
Ø15x12mm Cam Lock 9pcs+1pc extra	


C	
Ø12x9mm Cam Lock 18pcs+1pc extra	


D	
M7*38mm Screw 6pcs	


E	
Ø8x30mm Dowel 12pcs+1pc extra	


F	
Ø3*12mm Screw 12pcs+1pc extra	


G	
M4*35mm Screw 18pcs+1pc extra	


H	
Anti-tipping Belt 2pcs	


I	
Ø3.5*14mm Screw 2pcs	


J	
Washer 4pcs	


K	
Ø6x30mm Wall Plug 2pcs	


L	
M4*30mm Screw 2pcs	

M	
M6*12mm Screw 16pcs+1pc extra	

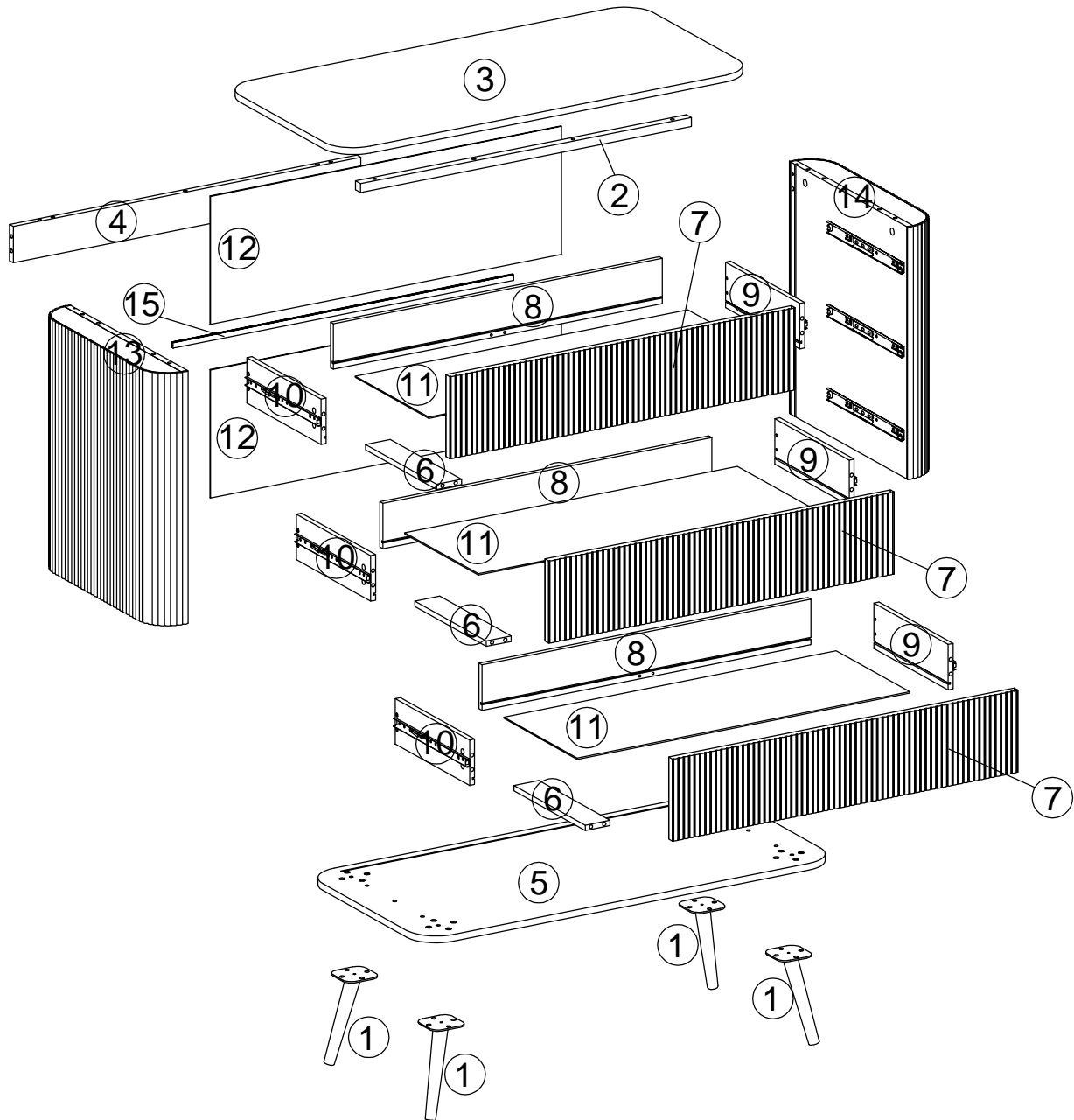
N	
M6*30mm Screw 4pcs	

O	
4mm Allen Key 1pc	

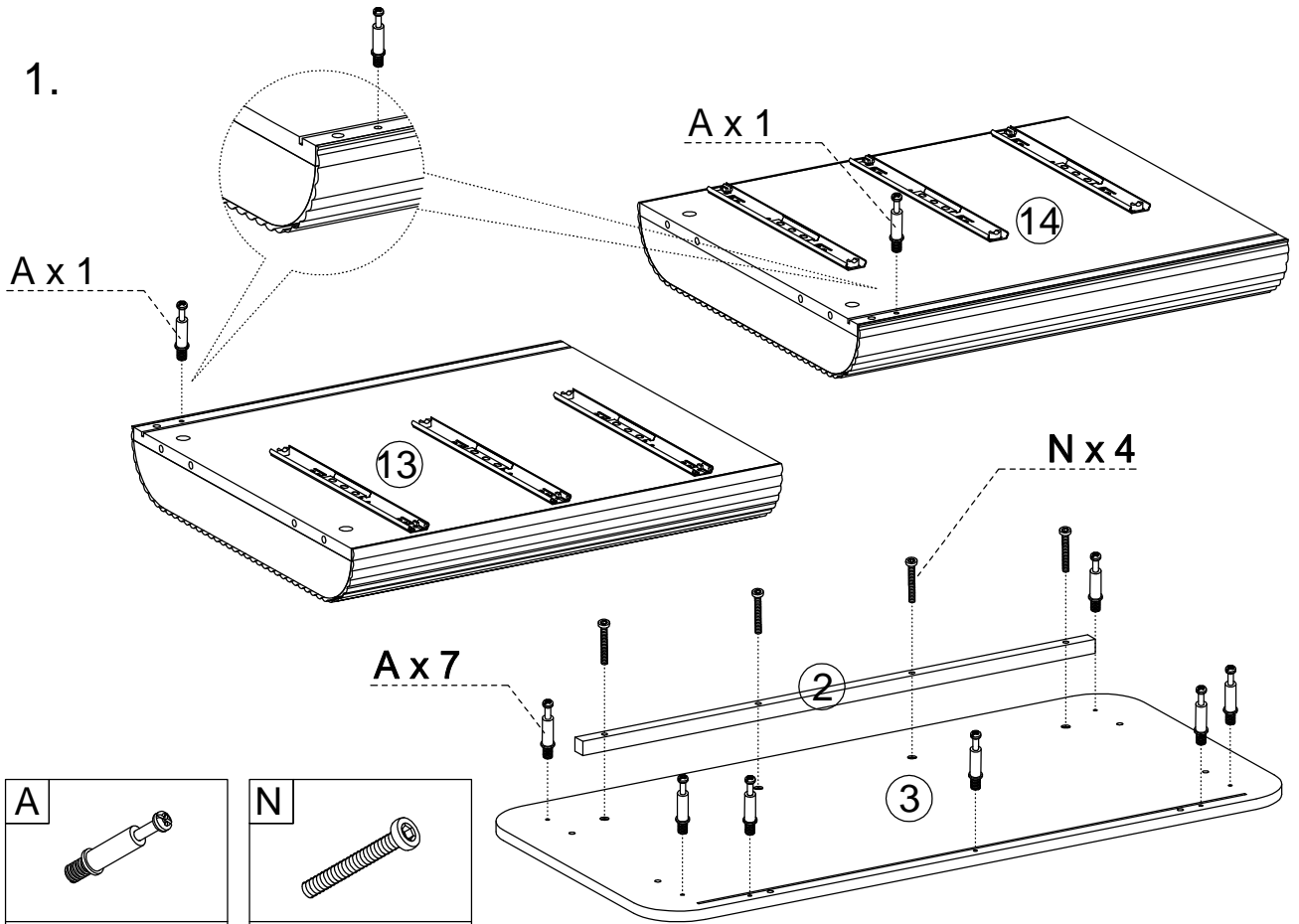
P	
Cover 12pcs+1pc extra	

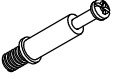
Q	
Handle 6pcs	


Parts list



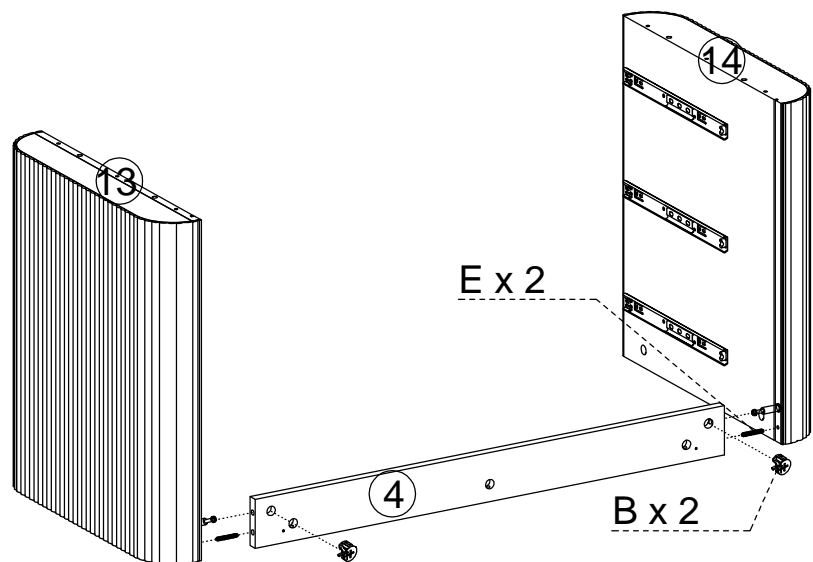
1.




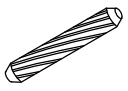
A	
M6*45mm Bolt 9pcs	

N	
M6*30mm Screw 4pcs	

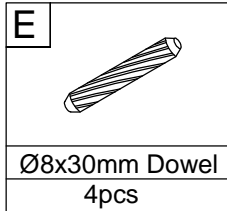
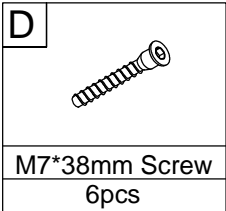
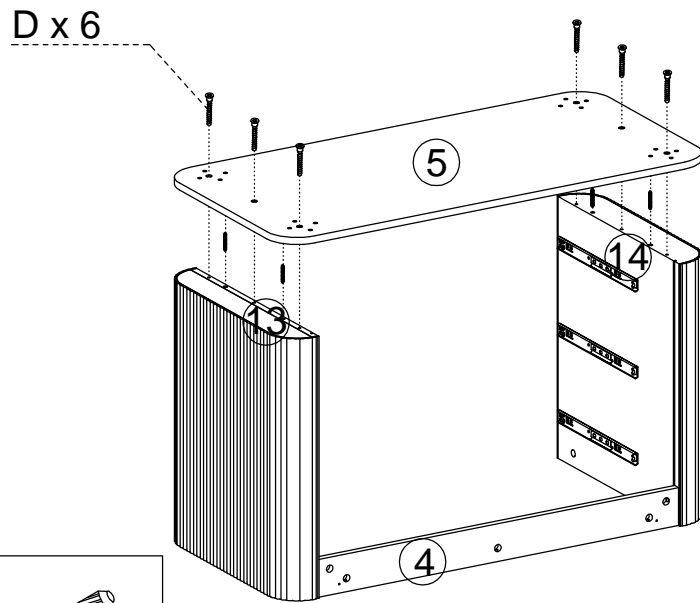
2.



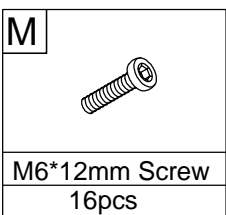
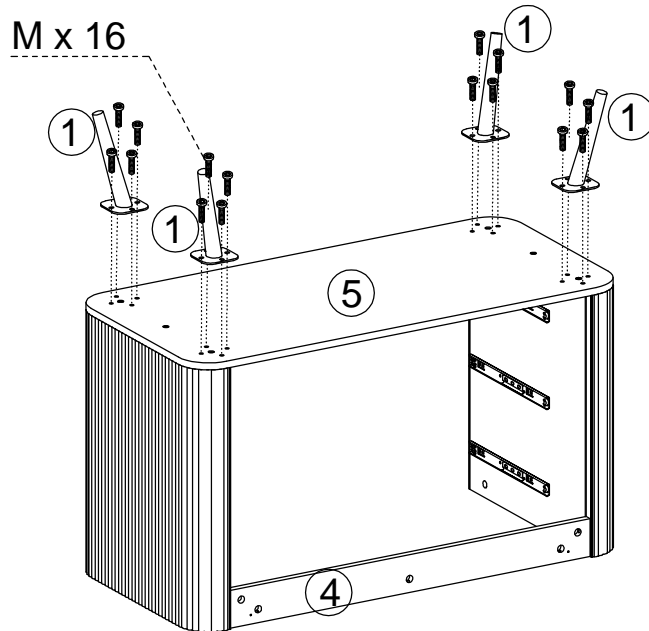
B	
Ø15x12mm Cam Lock 2pcs	

E	
Ø8x30mm Dowel 2pcs	

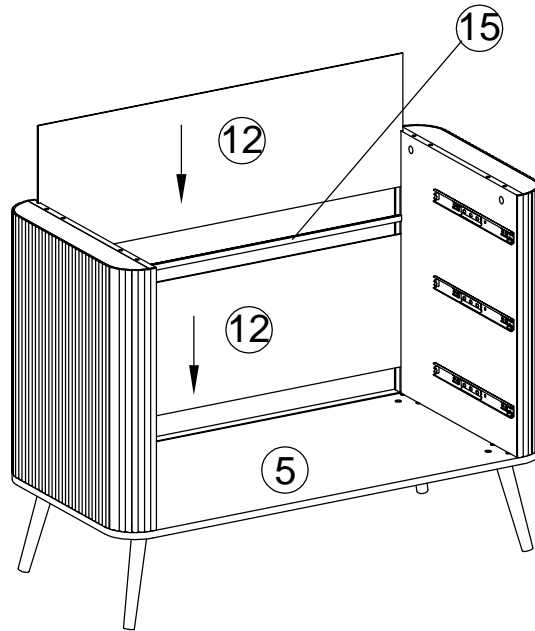
3.



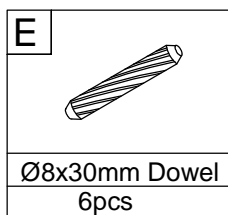
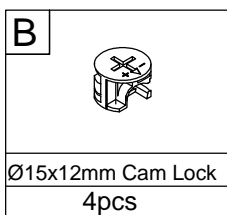
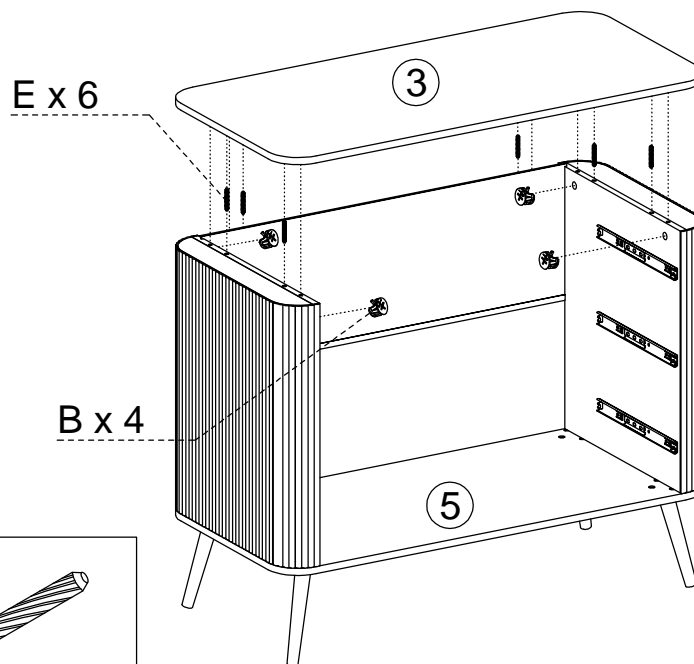
4.



5.



6.



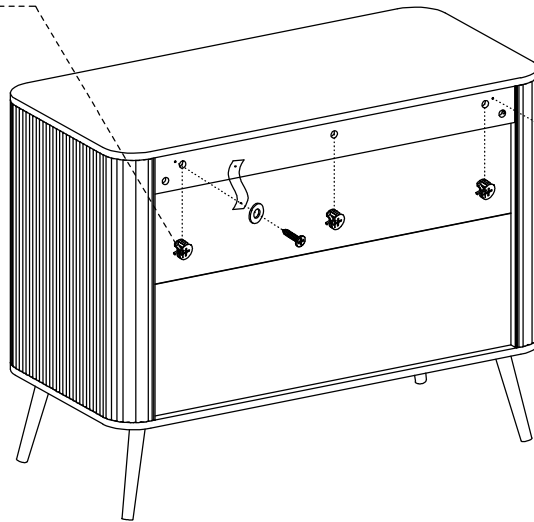
7.

B x 3

H x 2

I x 2

J x 2



B



Ø15x12mm Cam Lock
3pcs

H



Anti-tipping Belt
2pcs

I



Ø3.5*14mm Screw
2pcs

J

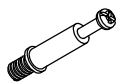


Washer
2pcs

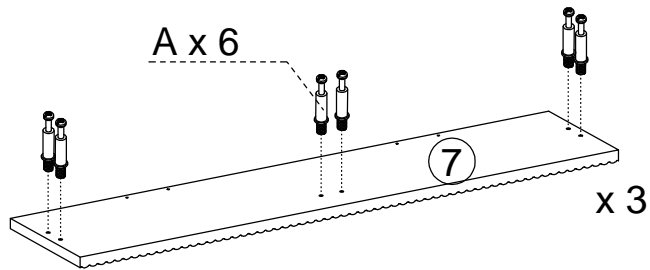
8.

A x 6

A



M6*45mm Bolt
18pcs



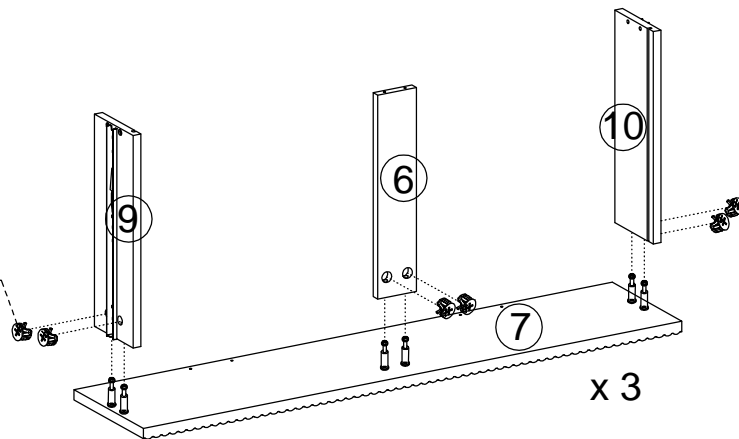
9.

C x 6

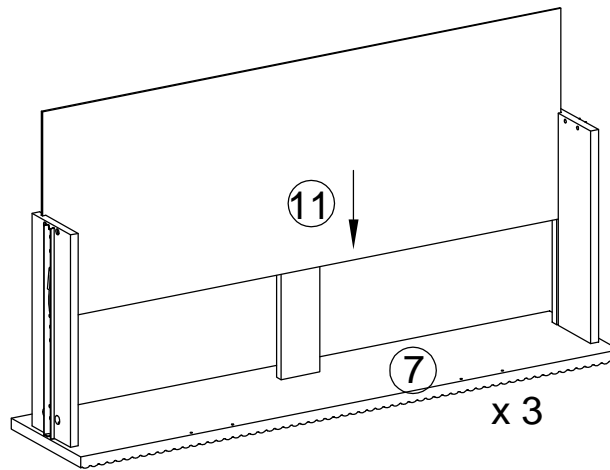
C



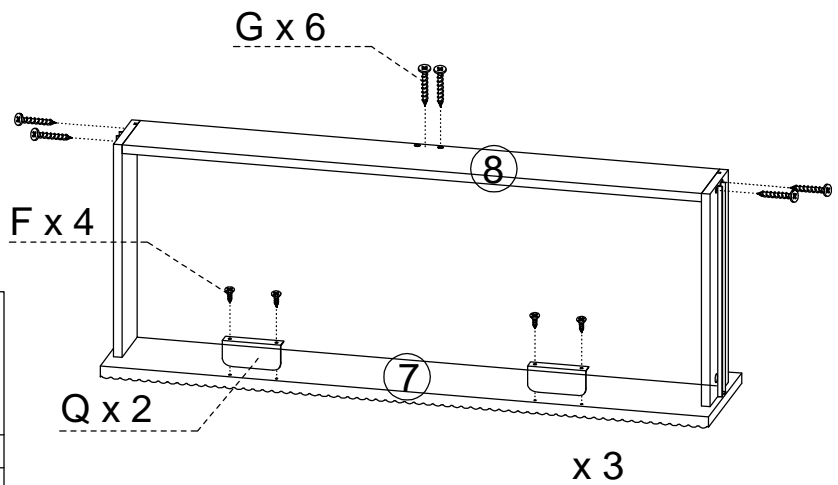
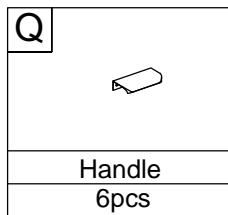
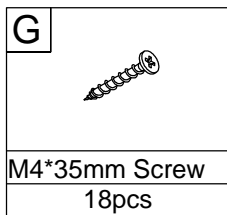
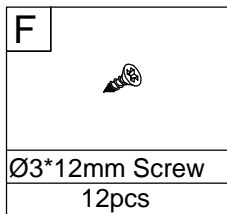
Ø12x9mm Cam Lock
18pcs



10.

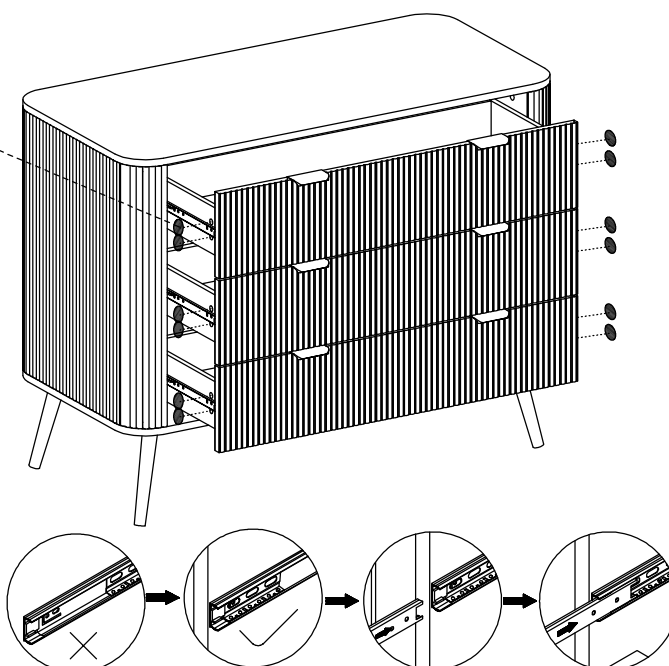
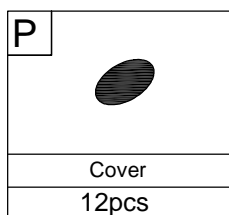
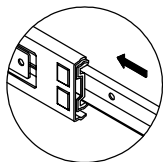


11.

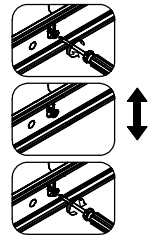
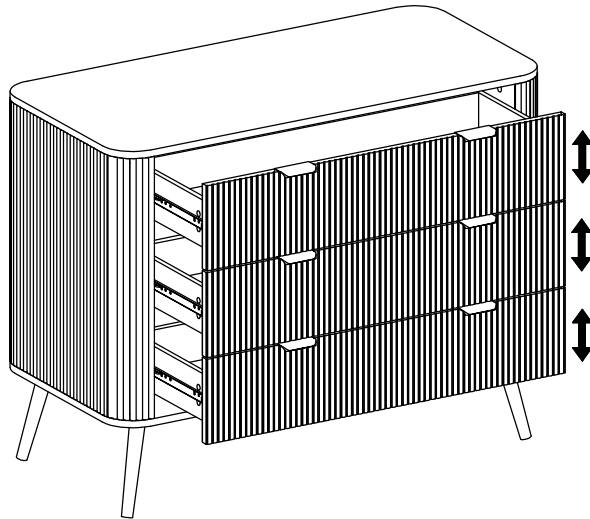


12.

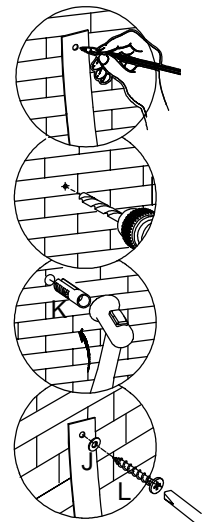
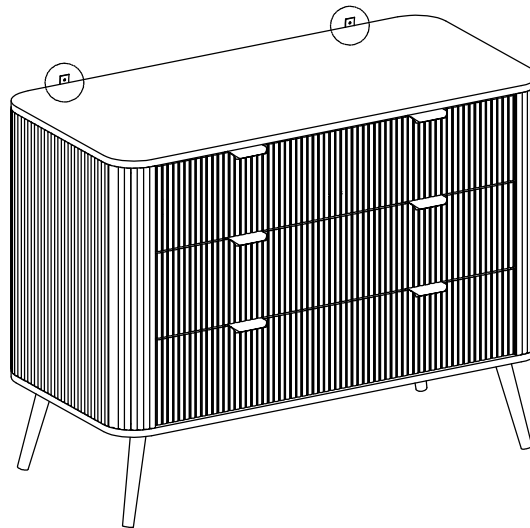
P x 12





13.




14.



J

Washer
2pcs

K

Ø6x30mm Wall Plug
2pcs

L

M4*30mm Screw
2pcs