

DUSK.COM

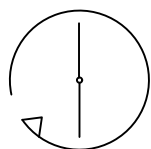
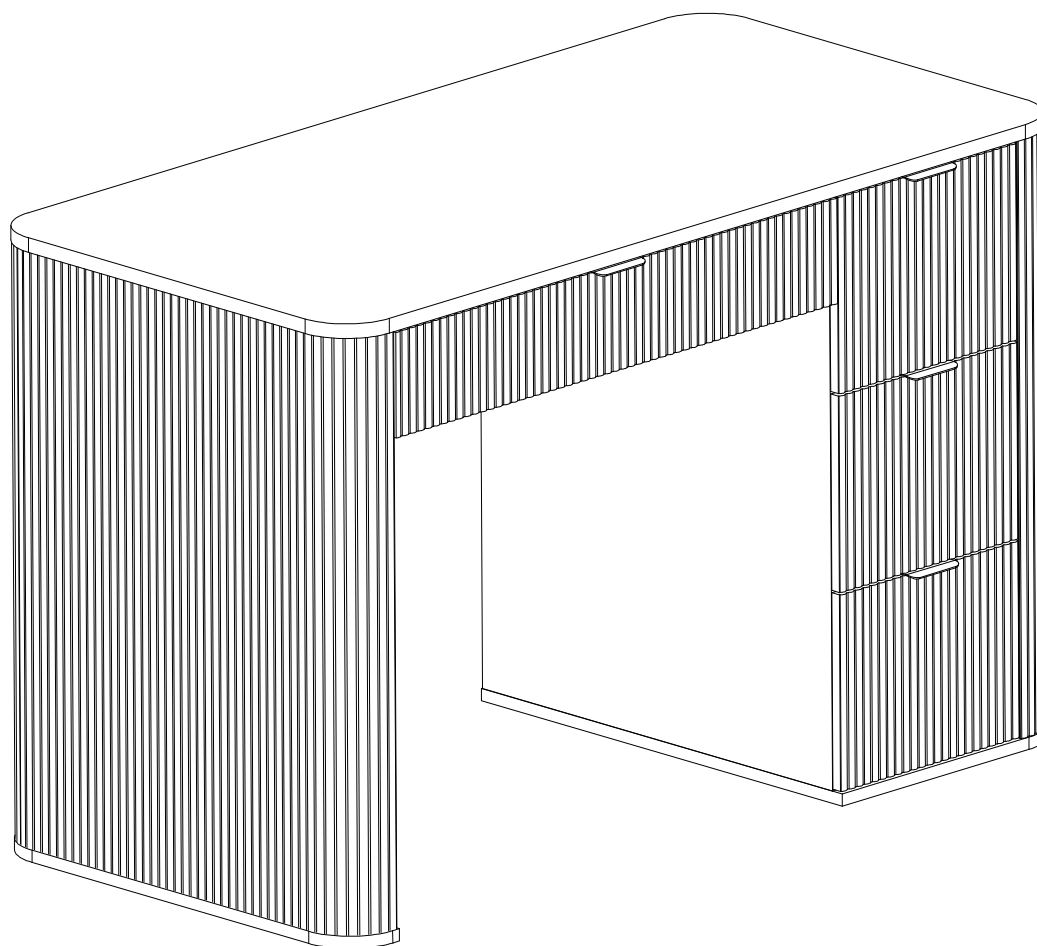
LIVING | BEDROOM | DINING

Range Name :Hattie

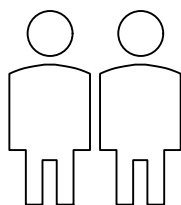
Box1 dimensions :W132xD68xH31.5cm

Product Dimension :W120xD60xH77cm

Hattie Large Dressing Table/Console



Up to 60 minutes
assembly time



Two person
assembly



Electric screwdriver
prohibited

This product is intended for domestic use only, not for commercial purposes.

P-1-16
V-1.0

IMPORTANT

ASSEMBLY TIP

Before you begin, it's best to identify all of the parts and fittings to build your Hattie Large Dressing Table/Console frame. We advise laying these out on the floor to check you have everything, and to familiarise yourself with all of the parts and fittings before building.

TOP TIP

We recommend that you assemble the Hattie Large Dressing Table/Console in the room you'd like it to be located.

This will help prevent any risk of damage to the frame whilst moving it.

SAFETY AND CARE

It's important to ensure children and animals are kept away from the assembly area, as there are small components used in this product which could present a choking hazard. All plastic and wrapping materials should also be kept away from children and animals to prevent any risk of suffocation.

HELP AND SUPPORT

Please contact our customer service team on 0113 519 0311 if you have any questions or issues with your purchase.

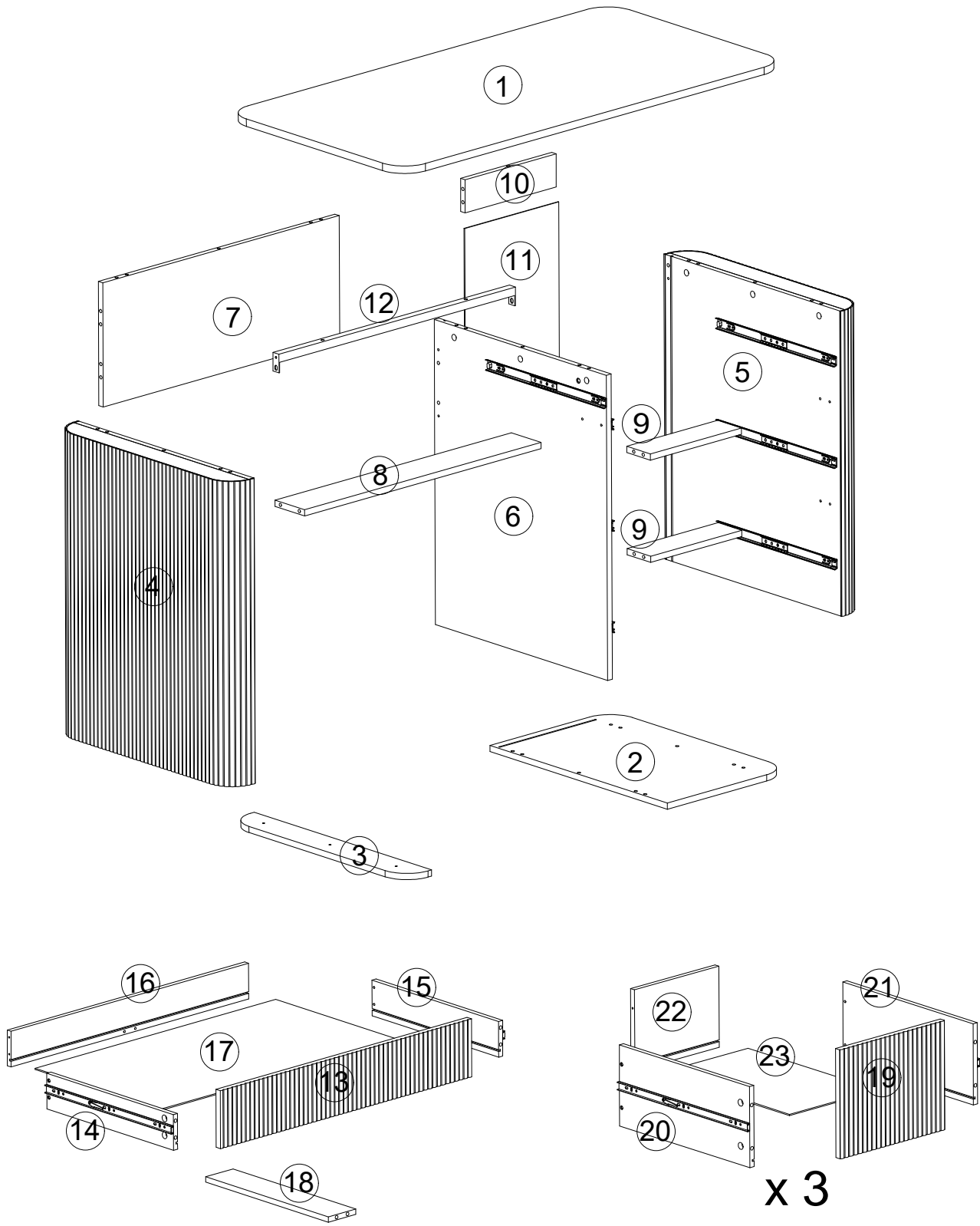
RECYCLING

Please ensure that packaging is disposed of in a safe and environmentally friendly way, and recycle where possible. Please keep your assembly instructions safe to refer back to in the future.

CARE AND MAINTENANCE:

1. Only clean using a damp cloth, do not use bleach or abrasive cleaners as they may damage the finish over time.
2. Do not use a very wet cloth or allow any liquid to contact with the veneer for a long period of time. Wipe any spillage immediately. Absorption can cause wood to warp or finishes to de-laminate.
3. Do not scrub or rub the surface when cleaning.
4. Do not drag the Hattie Large Dressing Table/Console when moving, lift it off the floor instead.
5. Use a placemat or a coaster when putting hot items (e.g. hot drinks and dishes) on the wood surface.
6. It is not recommended to place the item next to sources of heat such as radiators, fires or directly exposed to sunlight. This may cause the wood to crack, split or fade due to the heat and humidity.
7. Wood will mellow and change colour over time, we recommend that ornaments and items placed on the surface to be moved regularly to prevent uneven mellowing.
8. Regularly check all fixings to ensure none have come loose. Re-tighten if necessary.
9. Avoid sharp items such as a screwdriver or any pointy tools.
10. Dispose of all packaging carefully and responsibly - recycle where possible.

Parts list



Parts list

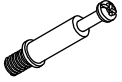








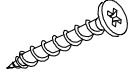









Before you begin building your Hattie Large Dressing Table/Console, please take a moment to read through the instructions and make sure that you have all the relevant parts listed on the parts check list.

Part Number	Part Description	Quantity	Box No
①	Top Panel	1pc	Box 1
②	Right Bottom Panel	1pc	Box 1
③	Left Bottom Panel	1pc	Box 1
④	Left Side Panel with Slide pre-assembled	1pc	Box 1
⑤	Right Side Panel with Slide pre-assembled	1pc	Box 1
⑥	Middle Panel	1pc	Box 1
⑦	Left Back Support Bar	1pc	Box 1
⑧	Left Connect Bar	1pc	Box 1
⑨	Right Connect Bar	2pcs	Box 1
⑩	Right Back Support Bar	1pc	Box 1
⑪	Back Panel	1pc	Box 1
⑫	Centre Support	1pc	Box 1

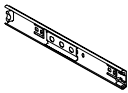
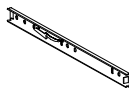

Part Number	Part Description	Quantity	Box No
⑬	Left Drawer Front	1pc	Box 1
⑭	Drawer Left with Slide pre-assembled	1pc	Box 1
⑮	Drawer Right with Slide pre-assembled	1pc	Box 1
⑯	Left Drawer Back	1pc	Box 1
⑰	Left Drawer Bottom	1pc	Box 1
⑱	Drawer Bottom Support	1pc	Box 1
⑲	Right Drawer Front	3pcs	Box 1
⑳	Drawer Left with Slide pre-assembled	3pcs	Box 1
㉑	Drawer Right with Slide pre-assembled	3pcs	Box 1
㉒	Right Drawer Back	3pcs	Box 1
㉓	Right Drawer Bottom	3pcs	Box 1

Fittings

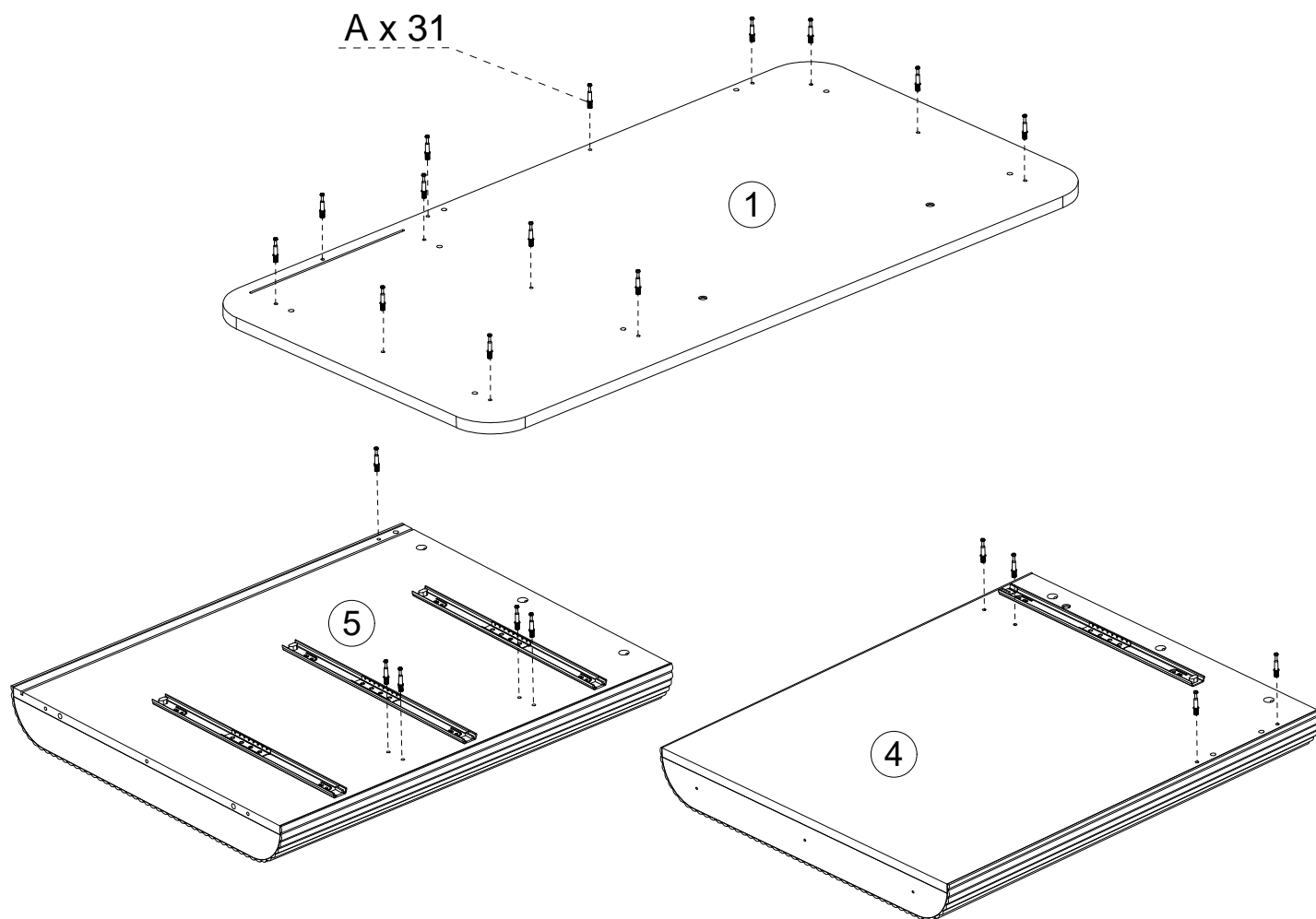
Please check you have all the fittings listed below with your product in box 1.

<p>A</p>  <p>M6.3*35mm Bolt 49pcs+6pcs extra</p>	<p>B</p>  <p>Ø15*9mm Cam Lock 49pcs+6pcs extra</p>	<p>C</p>  <p>Ø8*30mm Dowel 18pcs+1pc extra</p>	<p>D</p>  <p>M7*38mm Screw 6pcs</p>	<p>E</p>  <p>M6*15mm Screw 2pcs</p>
<p>F</p>  <p>M6*30mm Screw 2pcs</p>	<p>G</p>  <p>4mm Allen Key 1pc</p>	<p>H</p>  <p>M3*12mm Screw 8pcs+1pc extra</p>	<p>I</p>  <p>Handle 4pcs</p>	<p>J</p>  <p>M4*35mm Screw 21pcs+2pcs extra</p>
<p>K</p>  <p>Cover 16pcs+2pcs extra</p>	<p>L</p>  <p>M4*16mm Screw 2pcs</p>	<p>M</p>  <p>Washer 4pcs</p>	<p>N</p>  <p>Anti-tippig Belt 2pcs</p>	<p>O</p>  <p>M5*35mm Screw 2pcs</p>
<p>P</p>  <p>8mm Wall Plug 2pcs</p>	<p>Q</p>  <p>Felt Pads 6pcs</p>	<p>R Pre-assembled Slide</p>  <p>Slide 8pcs</p>	<p>S Pre-assembled Screw</p>  <p>M3.5*12mm Screw 48pcs</p>	

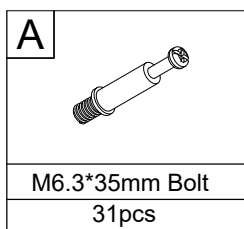
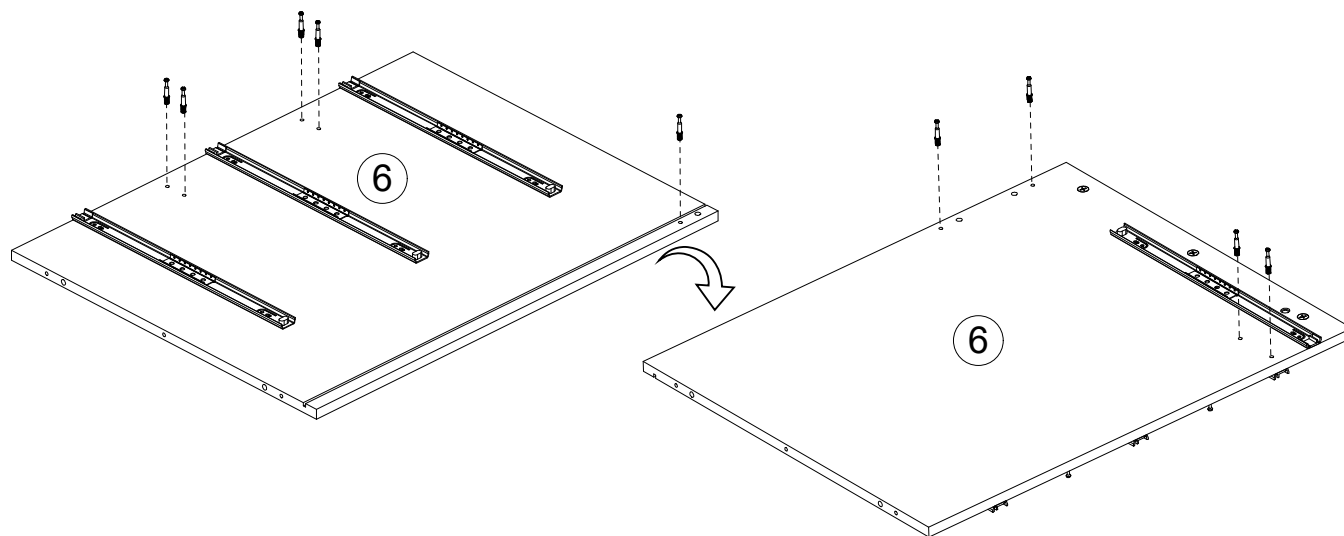
Pre-assembled Fittings

<p>R-1</p>  <p>Slide 8pcs</p>	<p>R-2</p>  <p>Slide 8pcs</p>	<p>S</p>  <p>M3.5*12mm Screw 48pcs</p>
---	---	--

1. Fix bolts to the panel.

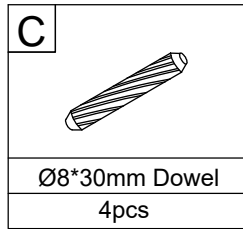
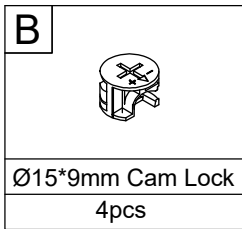
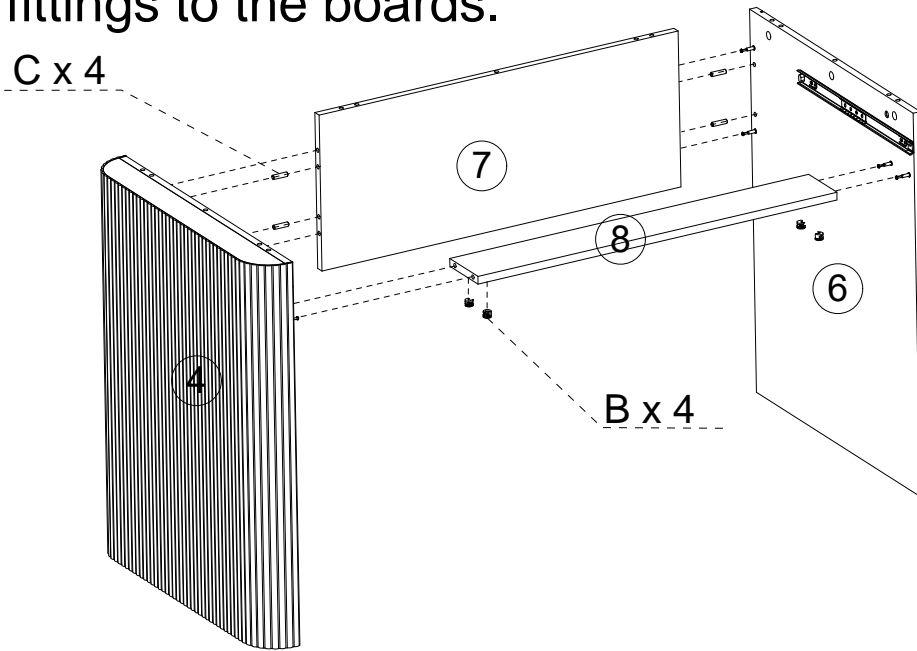


fix bolt to the middle panel (with 3 pieces R-1 slide) firstly.

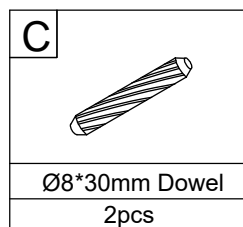
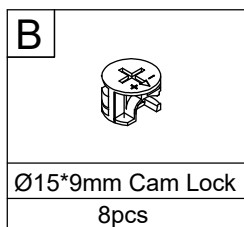
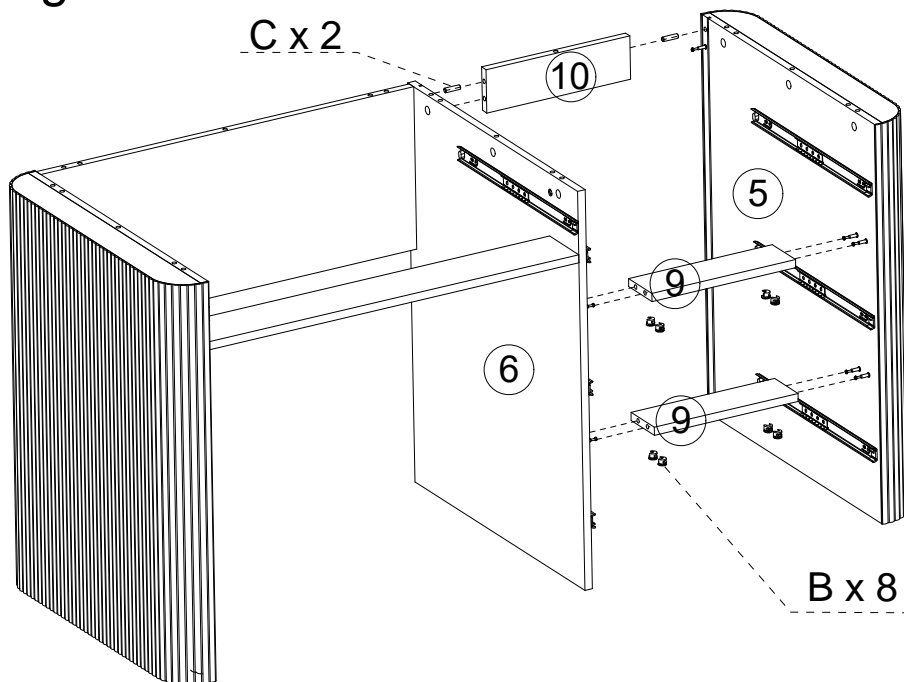


fix the bolt to other side of the middle panel (1 piece R-1 slide).

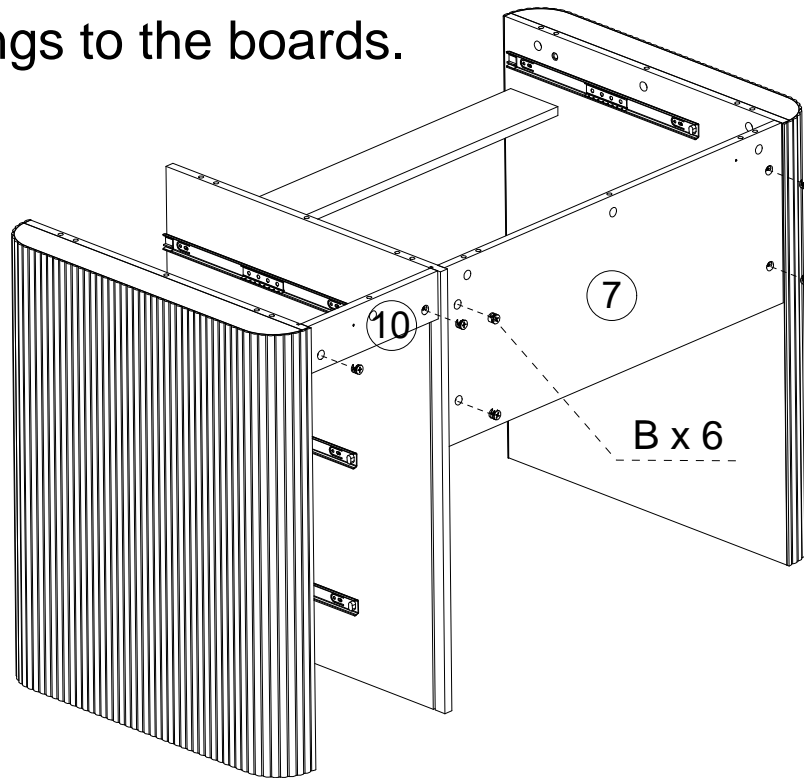
2. Attach fittings to the boards.




3. Attach fittings to the boards.

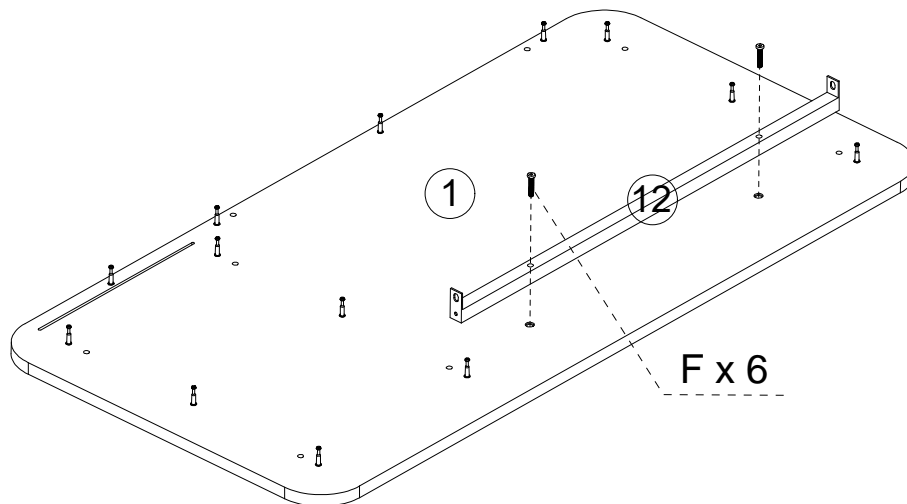



4. Attach fittings to the boards.



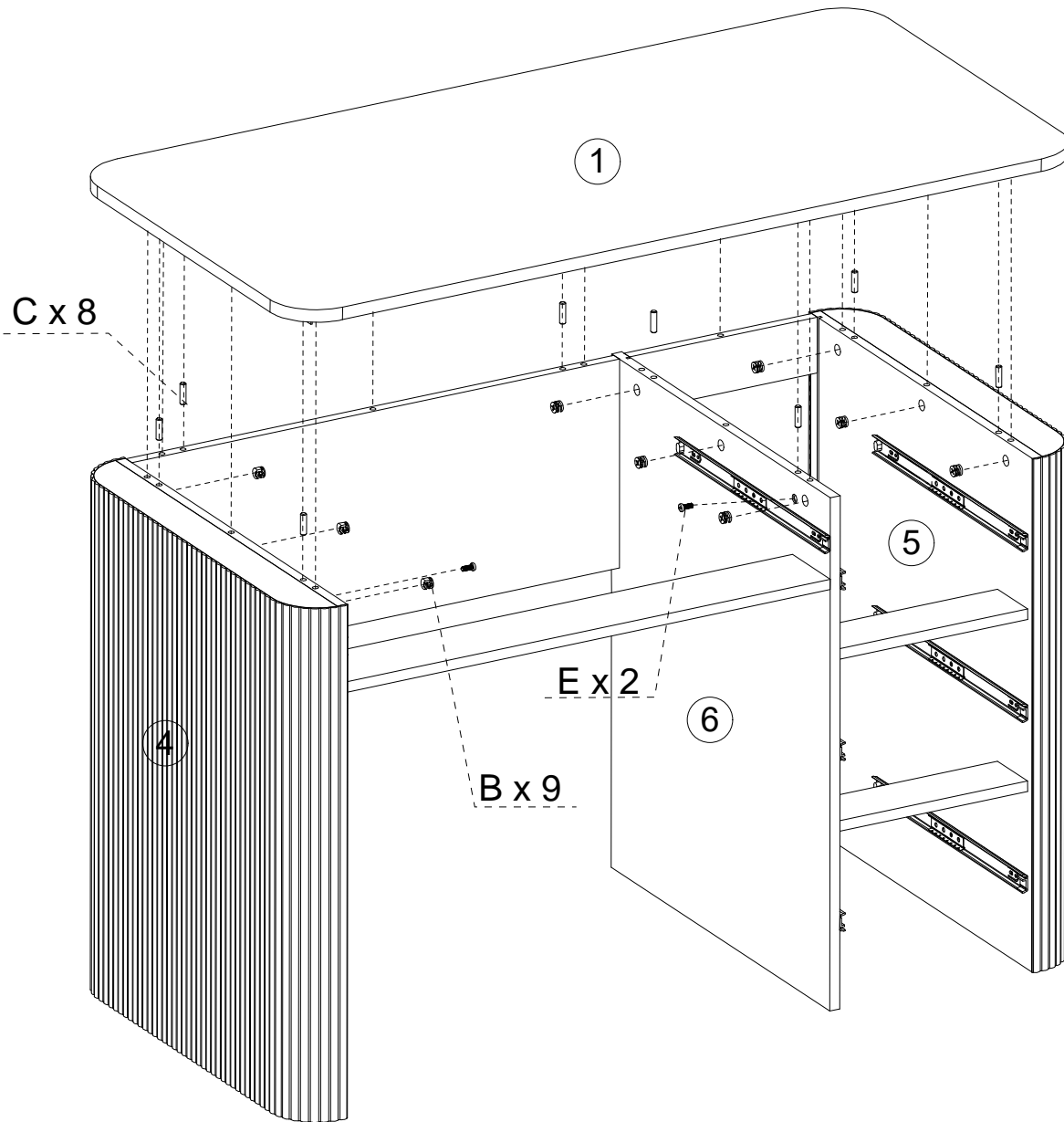
B

Ø15*9mm Cam Lock
6pcs


5. Fix screws to the panel.





F

M6*30mm Screw
2pcs

6.

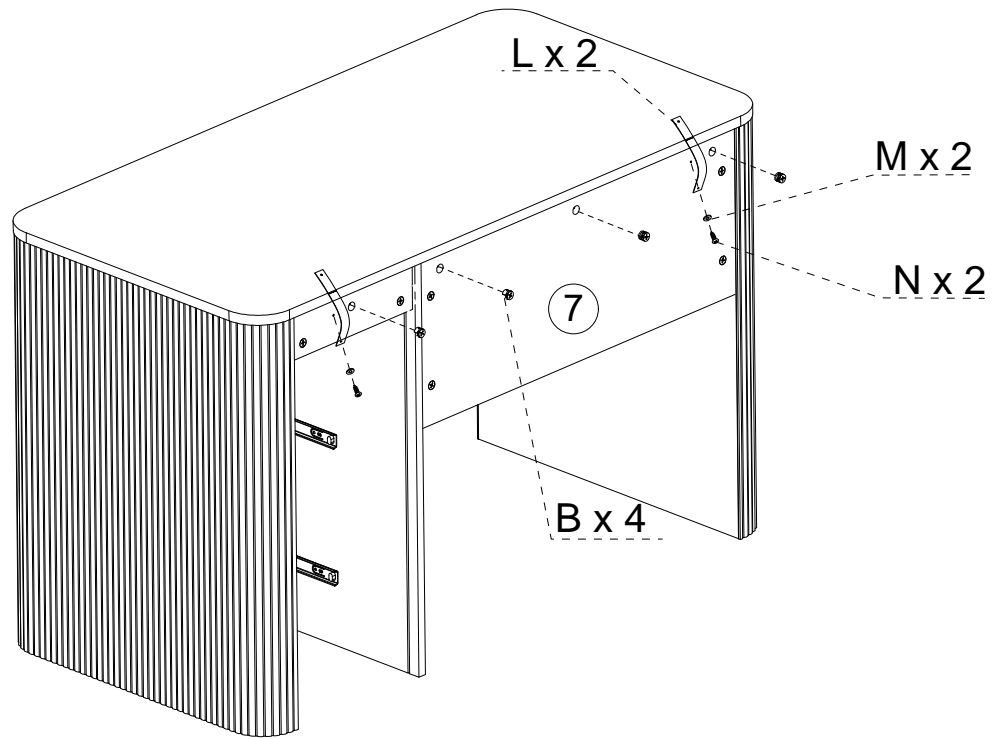



B

Ø15*9mm Cam Lock 9pcs

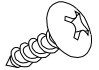
C

Ø8*30mm Dowel 8pcs


E

M6*15mm Screw 2pcs


7.



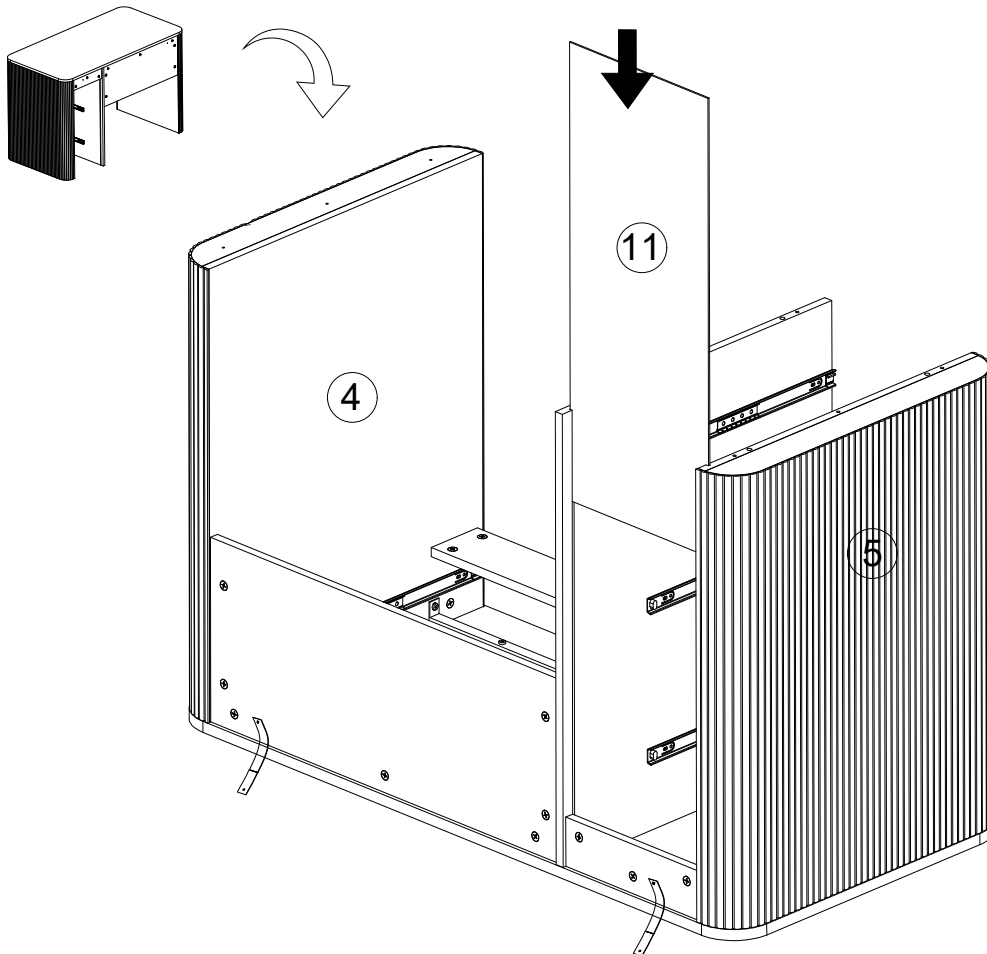
B	
Ø15*9mm Cam Lock	
4pcs	

L	
M4*16mm Screw	
2pcs	

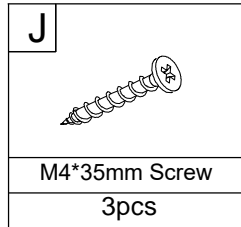
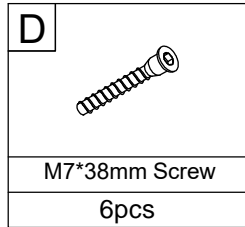
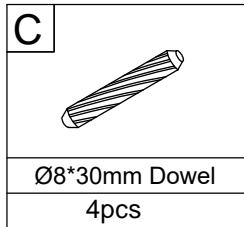
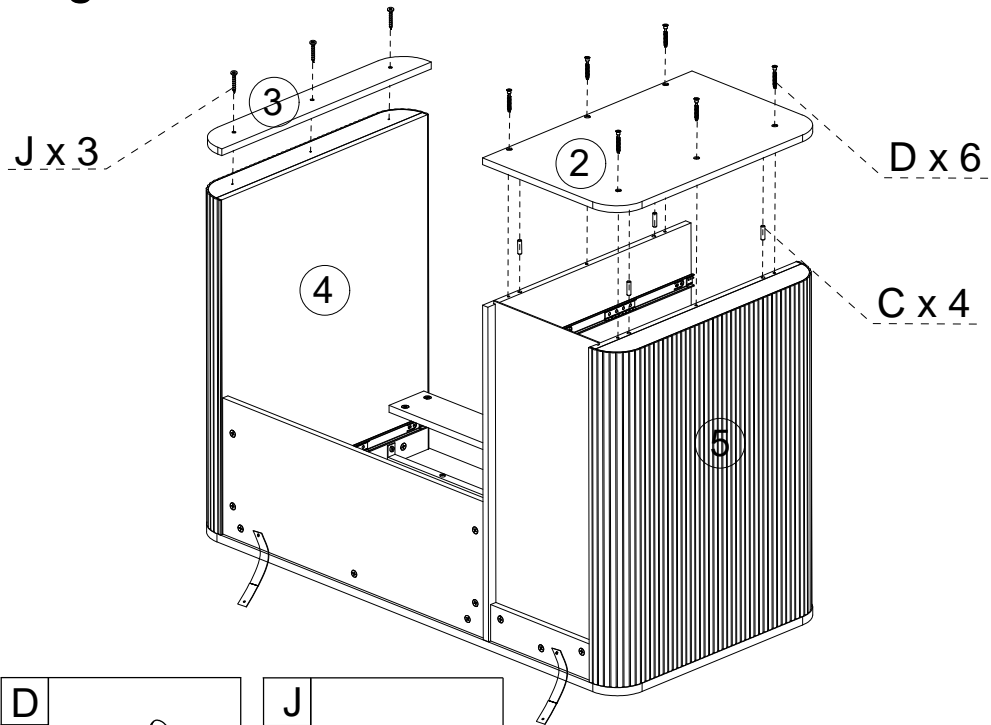
M	
Washer	
2pcs	

N	
Anti-tippig Belt	
2pcs	

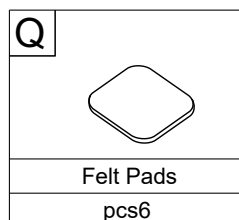
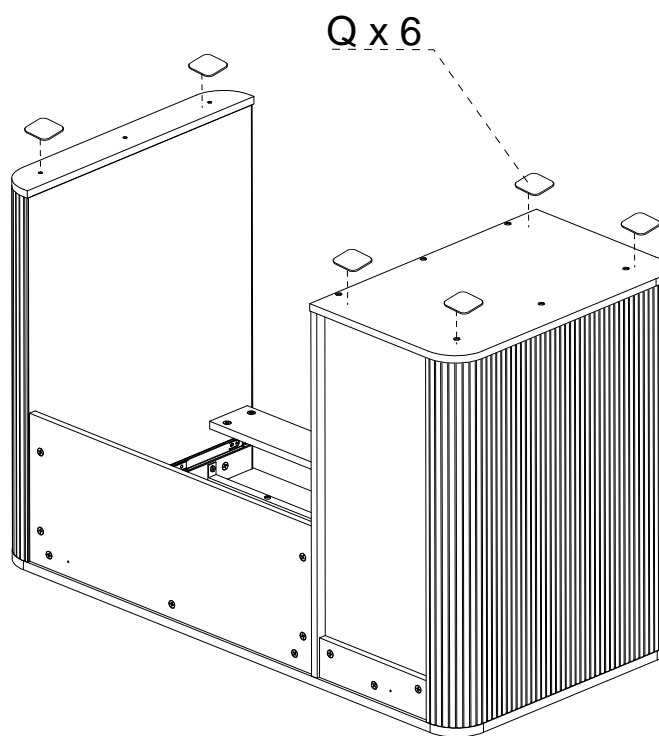
8.



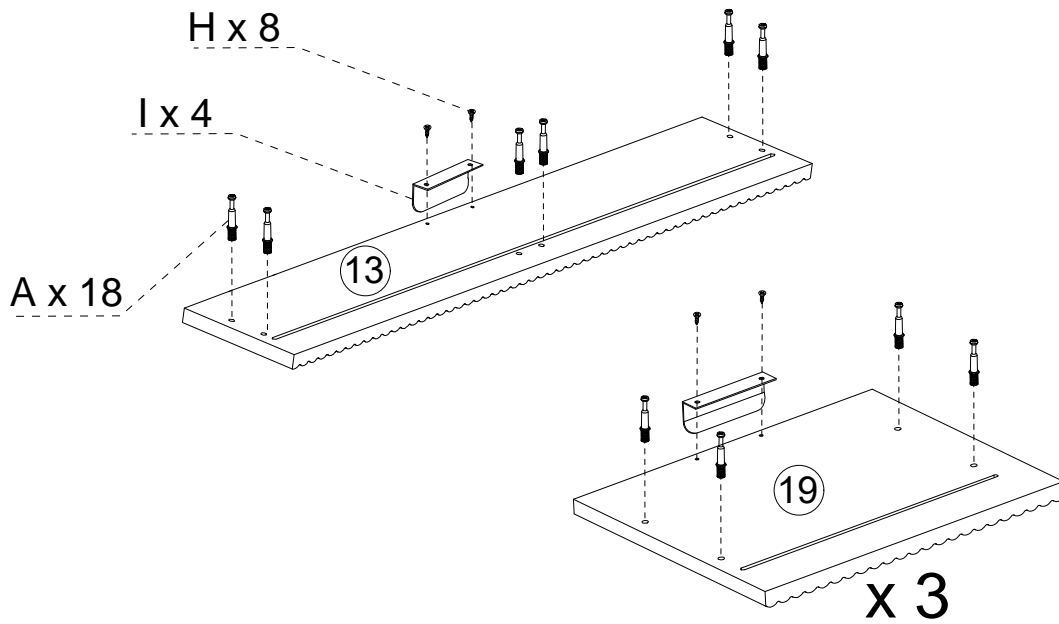
9. Attach fittings to the boards.





10.




11. Attach fittings to the boards.

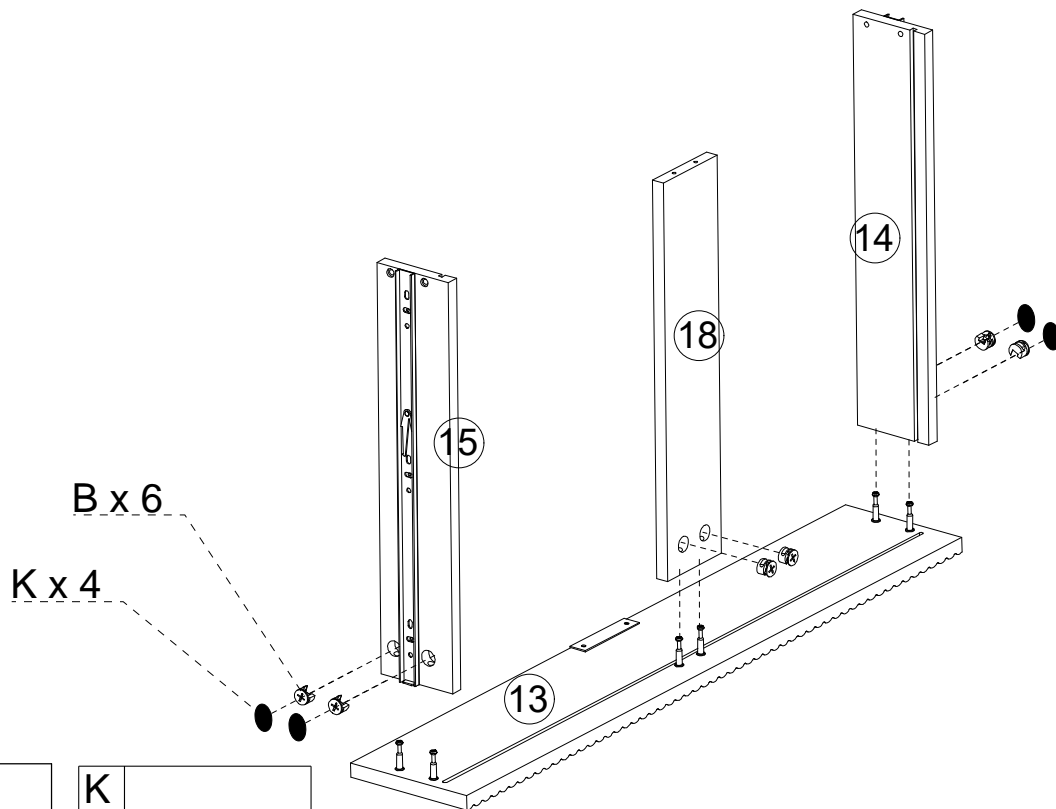



A	
M6.3*35mm Bolt	
18pcs	


H	
M3*12mm Screw	
8pcs	

I	
Handle	
4pcs	

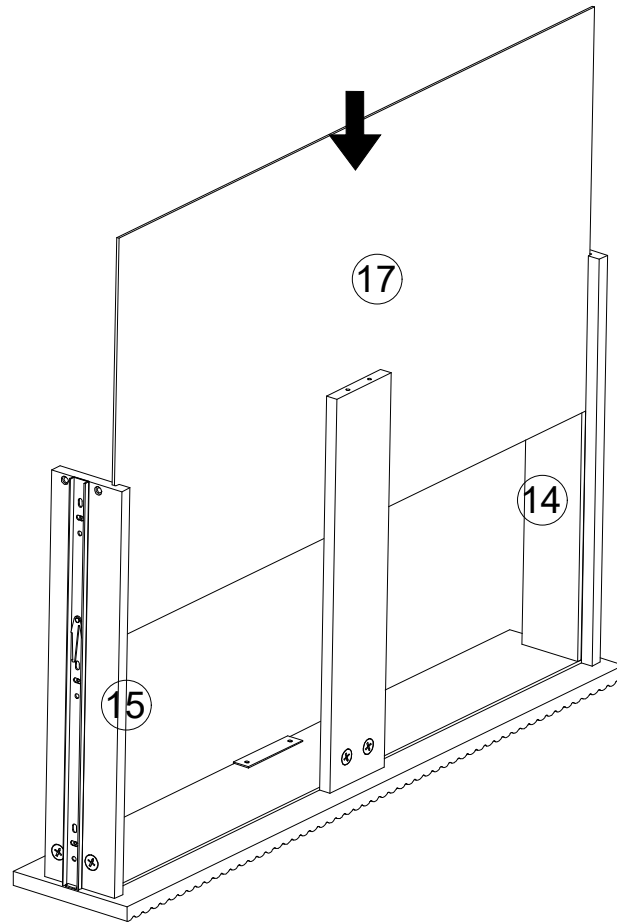
12.



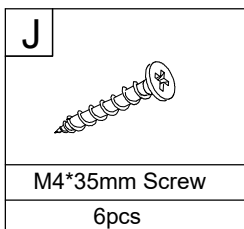
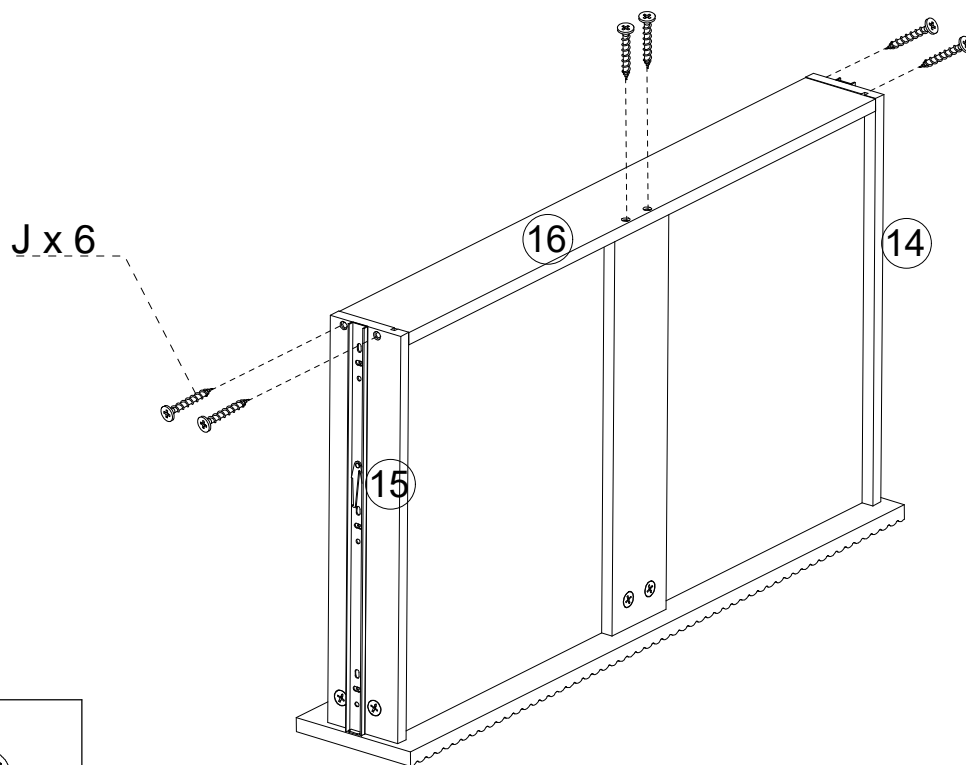
B	
Ø15*9mm Cam Lock	
6pcs	

K	
Cover	
4pcs	

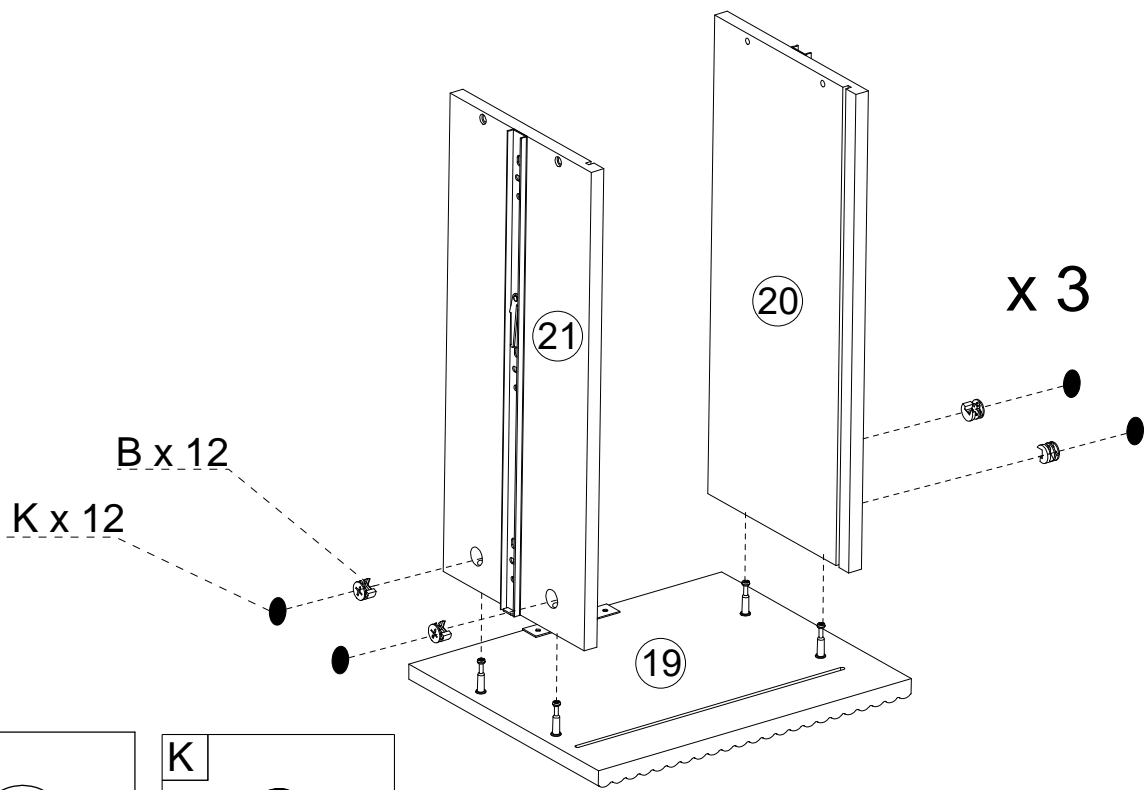
13.





14.



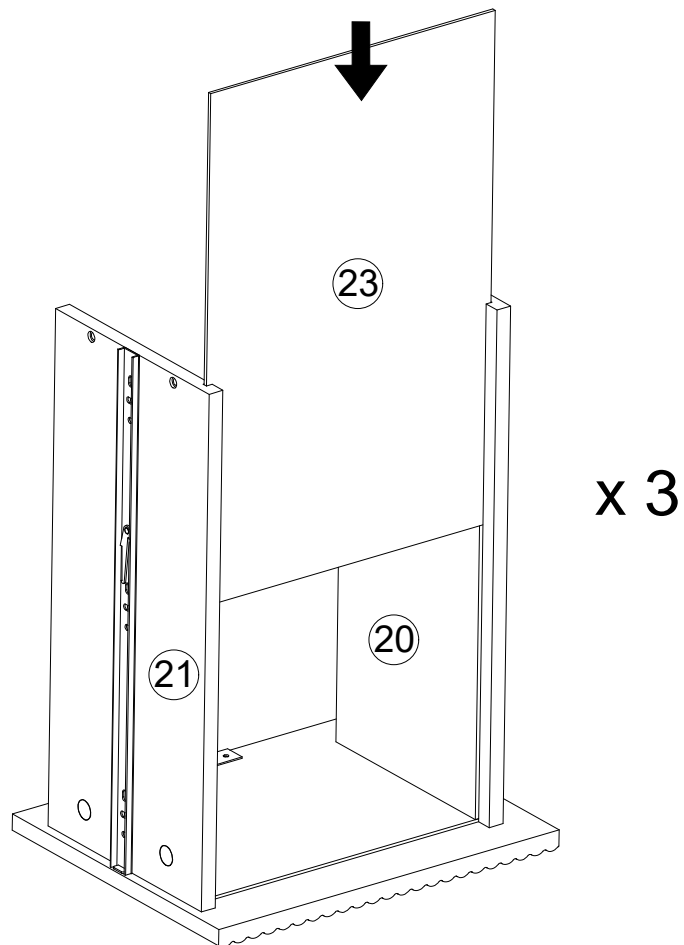
15.



B	
Ø15*9mm Cam Lock	
12pcs	

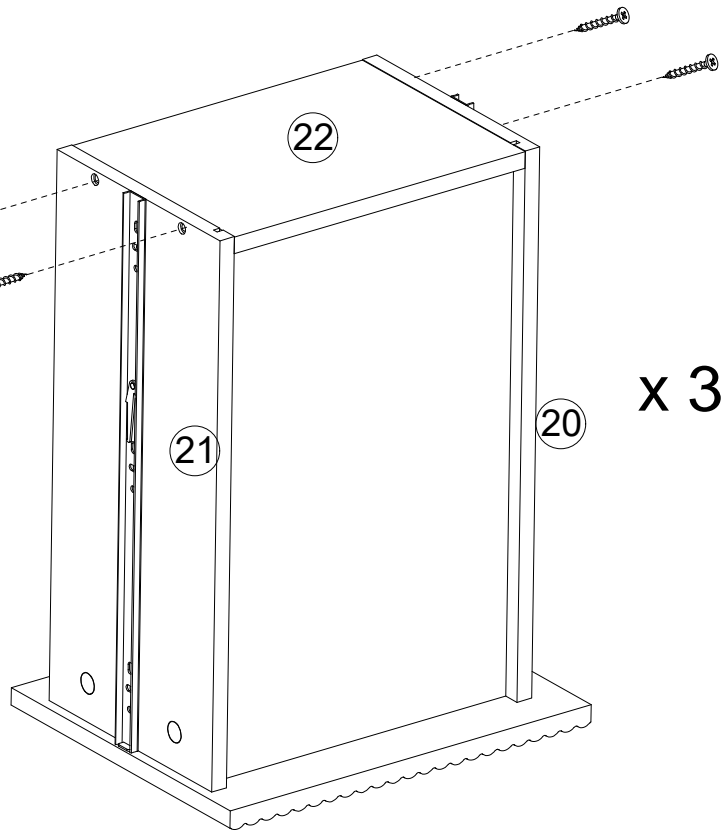
K	
Cover	
12pcs	

16.

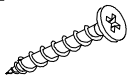


17.

J x 12

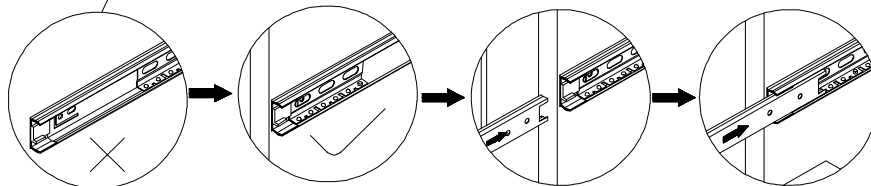
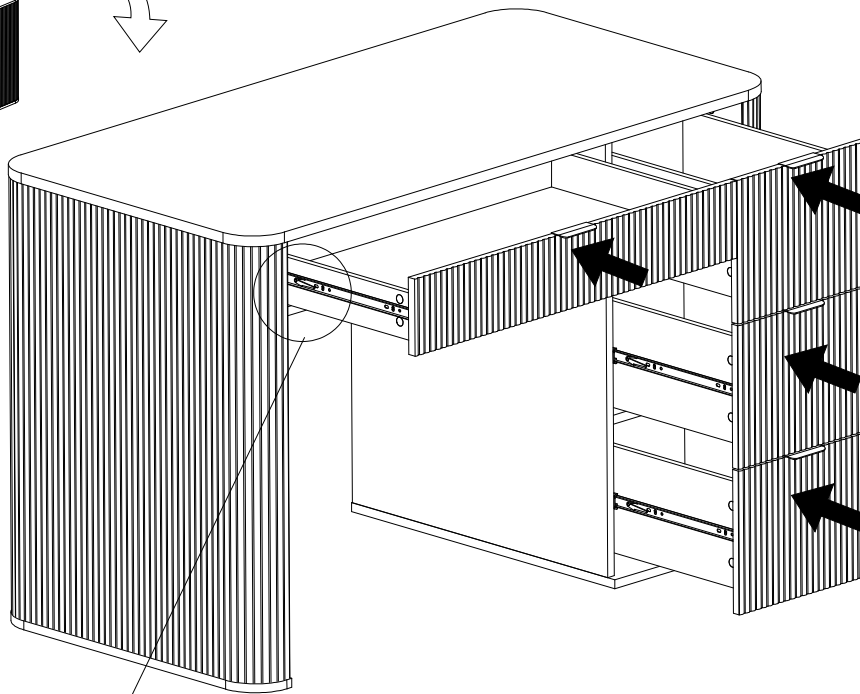
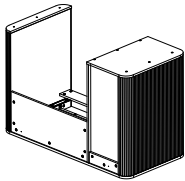


J

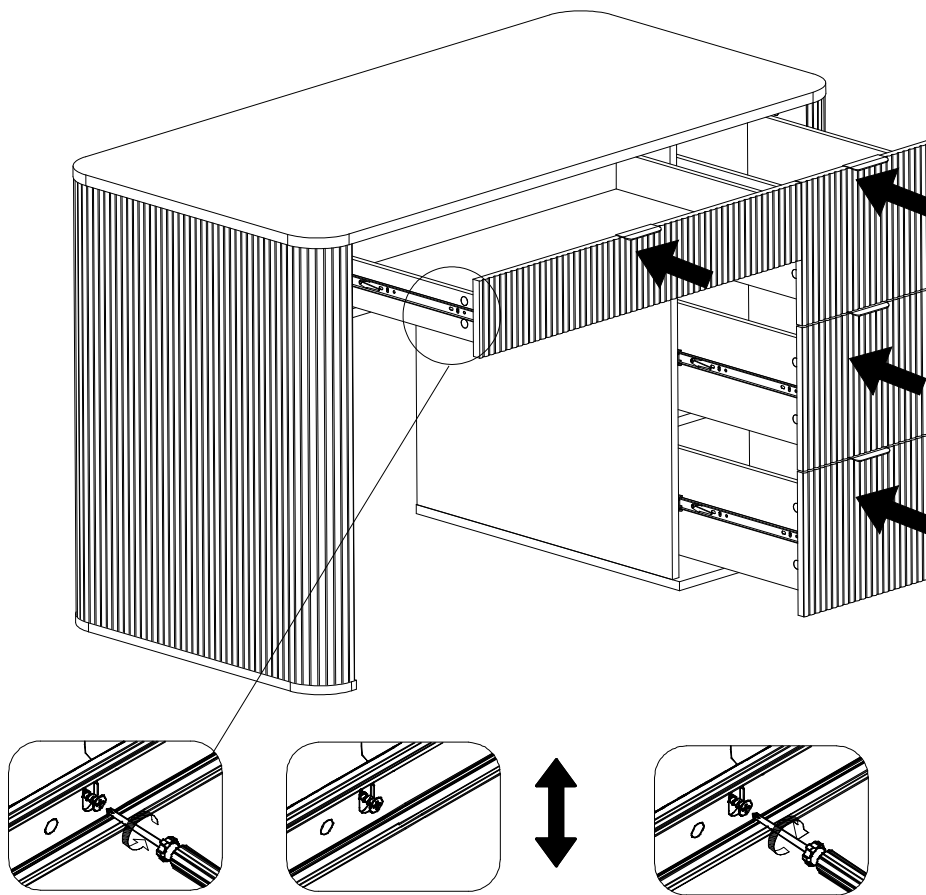


M4*35mm Screw
12pcs

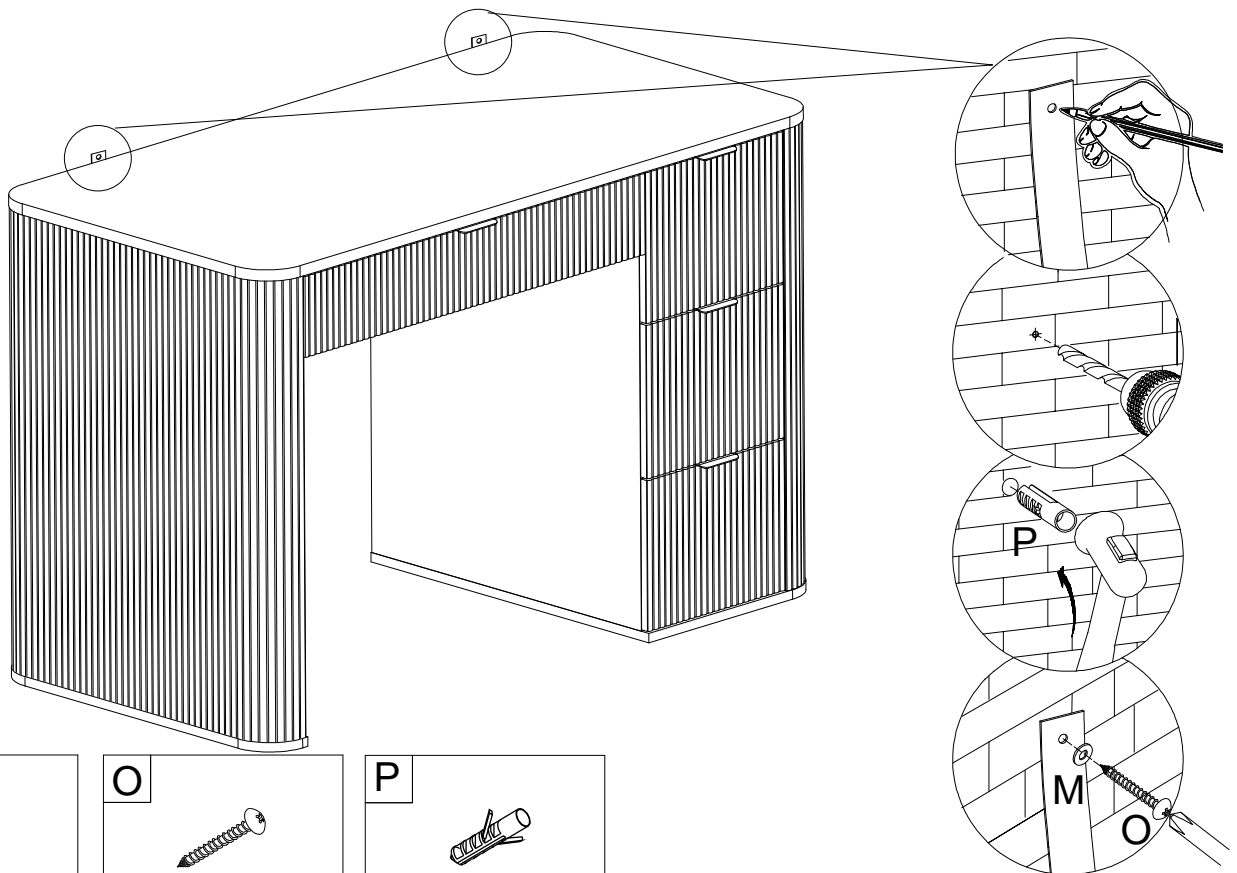
18.





19.




20.



M	
	Washer
	2pcs

O	
	M5*35mm Screw
	2pcs

P	
	8mm Wall Plug
	2pcs