

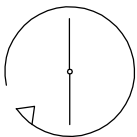
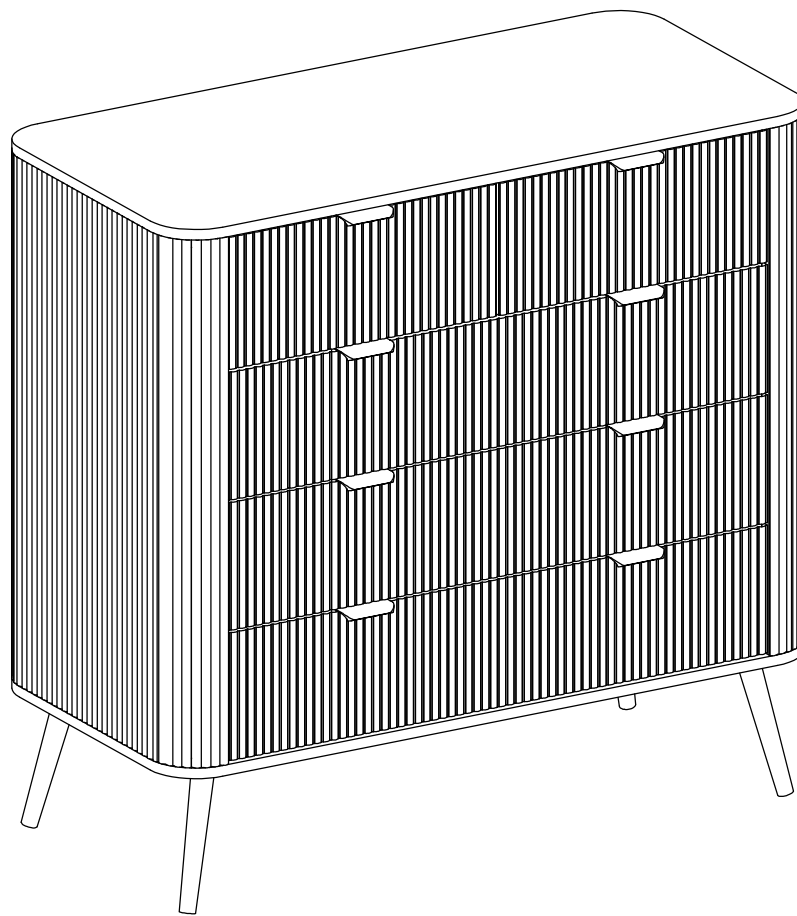
# DUSK.COM

LIVING | BEDROOM | DINING

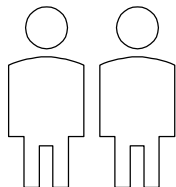
Range Name : Hattie

Box dimensions : 117x58x32cm

## Hattie Large Chest



Up to 60 minutes  
assembly time



Two person  
assembly

This product is intended for domestic use only, not for commercial purposes.

## IMPORTANT

### ASSEMBLY TIP

Before you begin, it's best to identify all of the parts and fittings to build your 3 Drawer Chest frame. We advise laying these out on the floor to check you have everything, and to familiarise yourself with all of the parts and fittings before building.

### TOP TIP

We recommend that you assemble the 3 Drawer Chest in the room you'd like it to be located. This will help prevent any risk of damage to the frame whilst moving it.

### SAFETY AND CARE

It's important to ensure children and animals are kept away from the assembly area, as there are small components used in this product which could present a choking hazard. All plastic and wrapping materials should also be kept away from children and animals to prevent any risk of suffocation.

### HELP AND SUPPORT

Please contact our customer service team on 0113 519 0311 if you have any questions or issues with your purchase.

### RECYCLING

Please ensure that packaging is disposed of in a safe and environmentally friendly way, and recycle where possible. Please keep your assembly instructions safe to refer back to in the future.

### CARE AND MAINTENANCE:

1. Only clean using a damp cloth, do not use bleach or abrasive cleaners as they may damage the finish over time.
2. Do not use a very wet cloth or allow any liquid to contact with the veneer for a long period of time. Wipe any spillage immediately. Absorption can cause wood to warp or finishes to de-laminate.
3. Do not scrub or rub the surface when cleaning.
4. Do not drag the 3 Drawer Chest when moving, lift it off the floor instead.
5. Use a placemat or a coaster when putting hot items (e.g. hot drinks and dishes) on the wood surface.
6. It is not recommended to place the item next to sources of heat such as radiators, fires or directly exposed to sunlight. This may cause the wood to crack, split or fade due to the heat and humidity.
7. Wood will mellow and change colour over time, we recommend that ornaments and items placed on the surface to be moved regularly to prevent uneven mellowing.
8. Regularly check all fixings to ensure none have come loose. Re-tighten if necessary.
9. Avoid sharp items such as a screwdriver or any pointy tools.
10. Dispose of all packaging carefully and responsibly - recycle where possible.

## Parts list

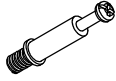















Before you begin building your 3 Drawer Chest, please take a moment to read through the instructions and make sure that you have all the relevant parts listed on the parts check list.

Part Number	Part Description	Quantity
①	Leg	4pcs
②	Back Support Bar	1pc
③	Top Panel	1pc
④	Back Support Bar	1pc
⑤	Bottom Panel	1pc
⑥	Drawer Support	3pcs
⑦	Drawer Front	3pcs
⑧	Drawer Back	3pcs
⑨	Drawer Right	5pcs
⑩	Drawer Left	5pcs
⑪	Drawer Bottom	3pcs

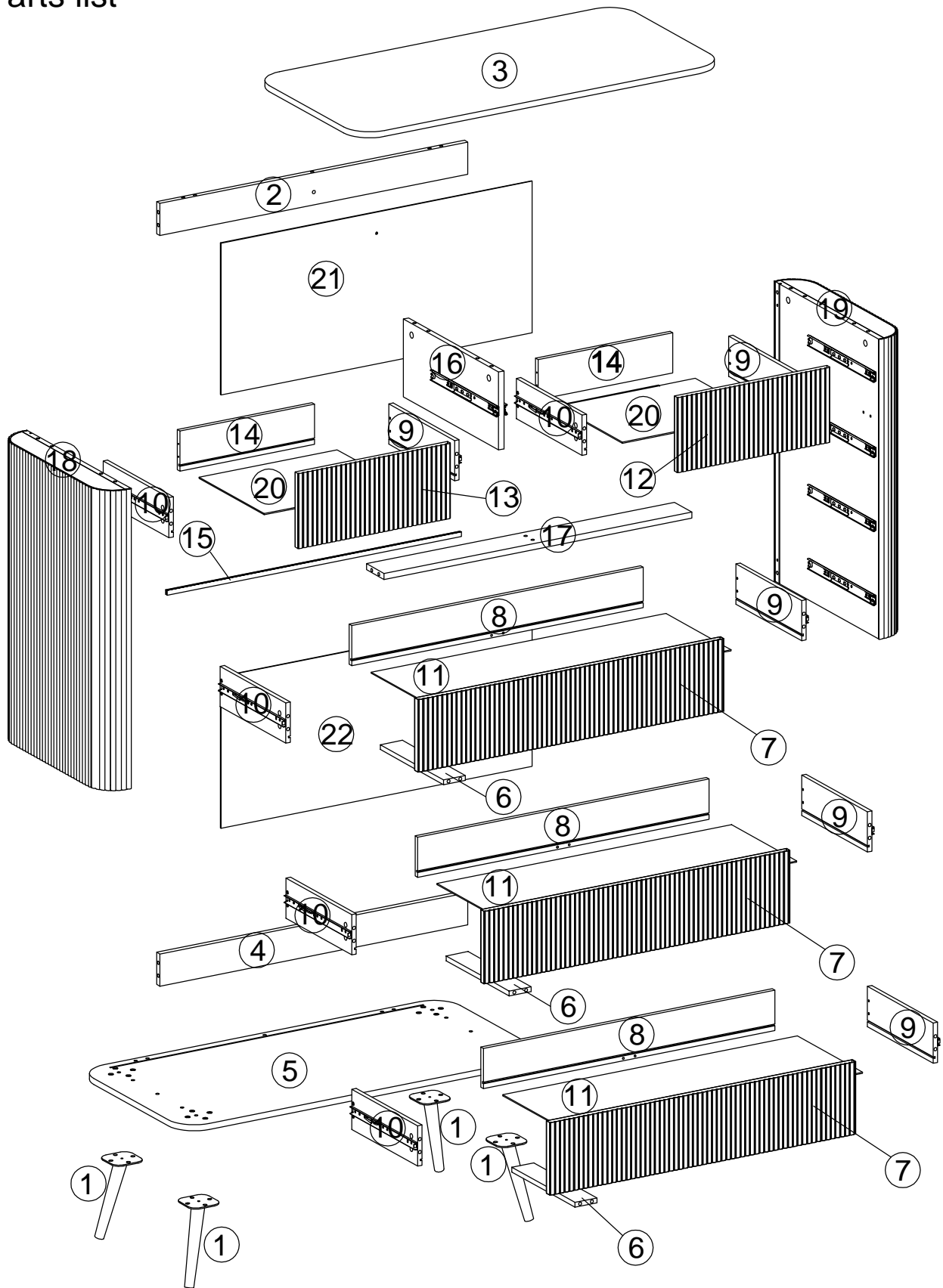
Part Number	Part Description	Quantity
⑫	Right Drawer Front	1pc
⑬	Left Drawer Front	1pc
⑭	Drawer Back	2pcs
⑮	Plastic Slot	1pc
⑯	Middle Panel	1pc
⑰	Connect Bar	1pc
⑱	Drawer Left	1pc
⑲	Drawer Right	1pc
⑳	Drawer Bottom	2pcs
㉑	Back Panel	1pc
㉒	Back Panel	1pc

# Fittings

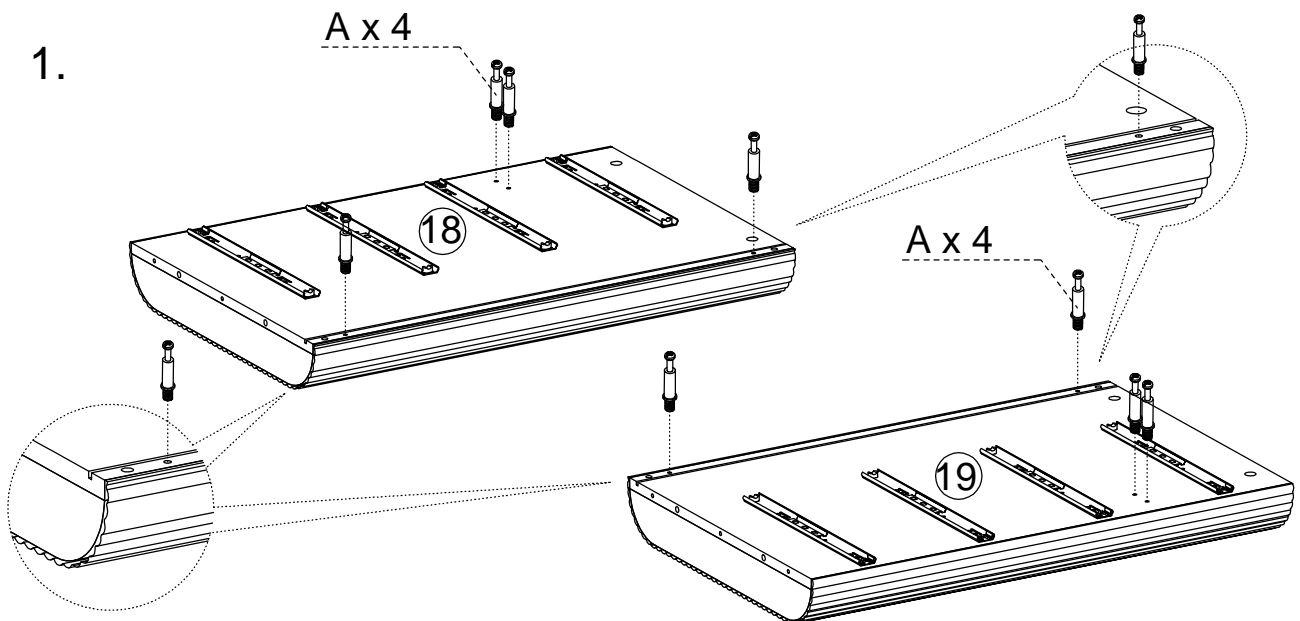
Please check you have all the fittings listed below with your product.

<p><b>A</b></p>  <p>M6*45mm Bolt 35pcs+1pc extra</p>	<p><b>B</b></p>  <p>Ø15x12mm Cam Lock 15pcs+1pc extra</p>	<p><b>C</b></p>  <p>Ø12x9mm Cam Lock 20pcs+1pc extra</p>	<p><b>D</b></p>  <p>M7*48mm Screw 17pcs+1pc extra</p>	<p><b>E</b></p>  <p>Ø8x30mm Dowel 18pcs+1pc extra</p>
<p><b>F</b></p>  <p>Ø3*12mm Screw 16pcs+1pc extra</p>	<p><b>G</b></p>  <p>M4*35mm Screw 20pcs+1pc extra</p>	<p><b>H</b></p>  <p>Anti-tipping Belt 2pcs</p>	<p><b>I</b></p>  <p>Ø3.5*14mm Screw 2pcs</p>	<p><b>J</b></p>  <p>Washer 4pcs</p>
<p><b>K</b></p>  <p>Ø6x30mm Wall Plug 2pcs</p>	<p><b>L</b></p>  <p>M4*30mm Screw 2pcs</p>	<p><b>M</b></p>  <p>M6*12mm Screw 16pcs+1pc extra</p>	<p><b>N</b></p>  <p>4mm Allen Key 1pc</p>	<p><b>O</b></p>  <p>Cover 20pcs+1pc extra</p>
<p><b>P</b></p>  <p>Handle 8pcs</p>				

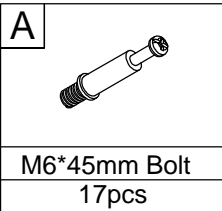
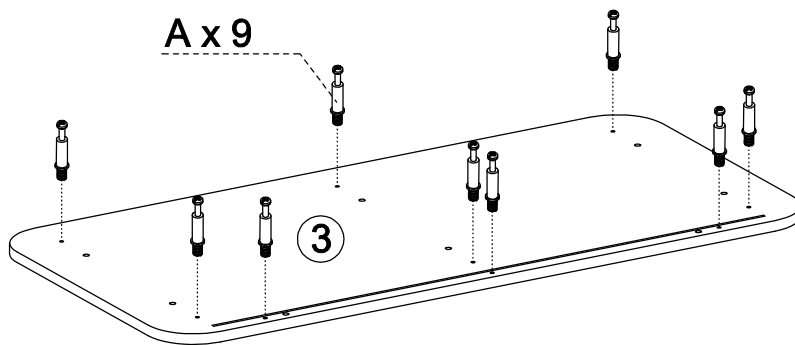
# Parts list



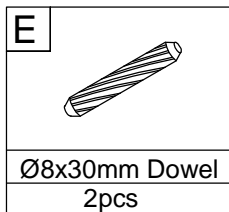
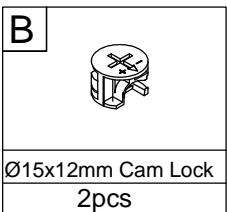
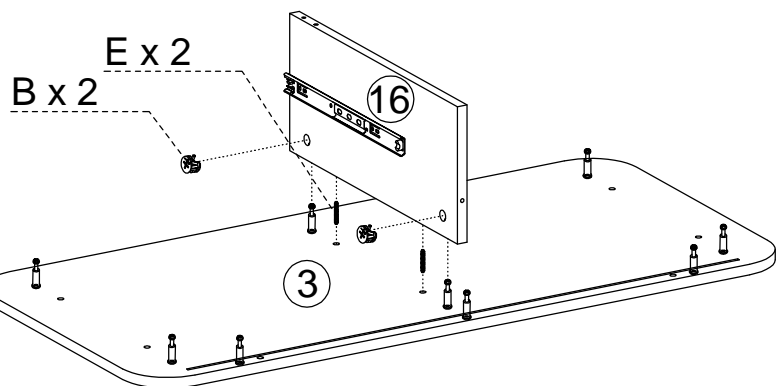
1.



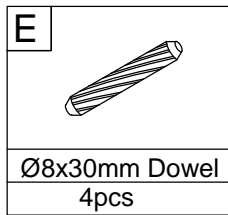
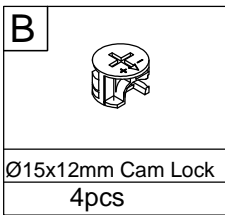
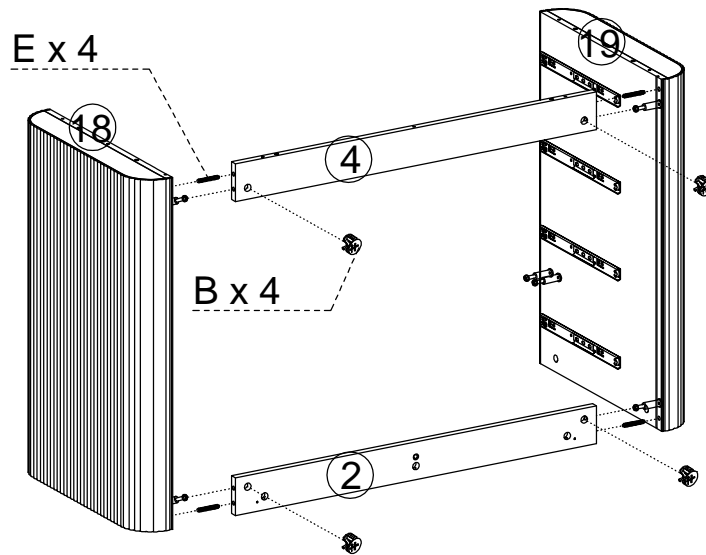
A x 9



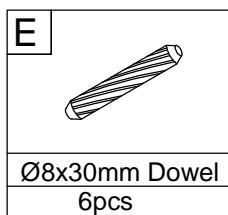
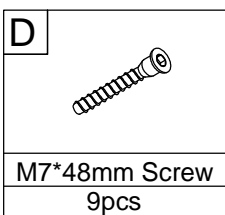
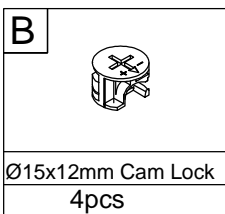
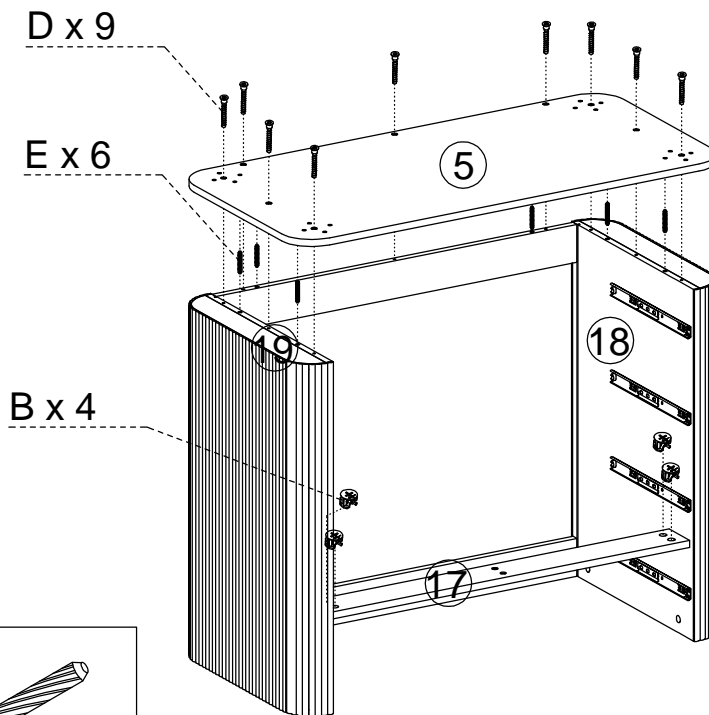
2.



3.

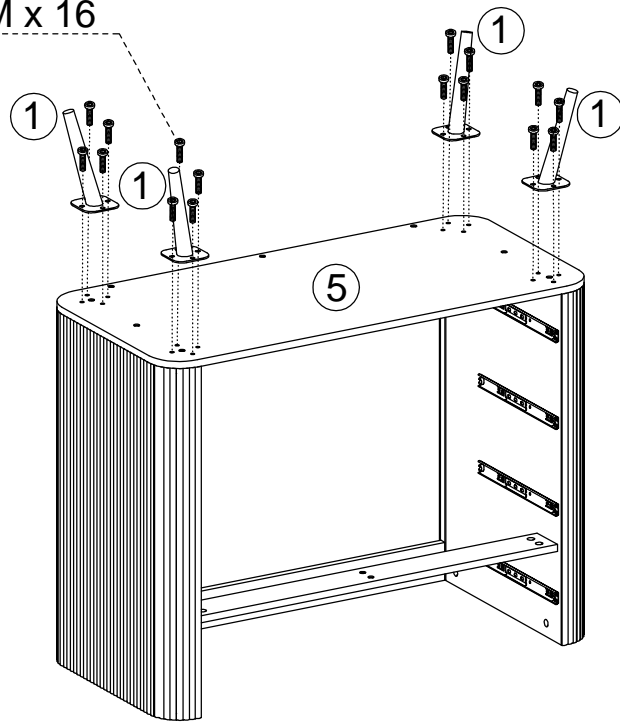


4.



5.

M x 16

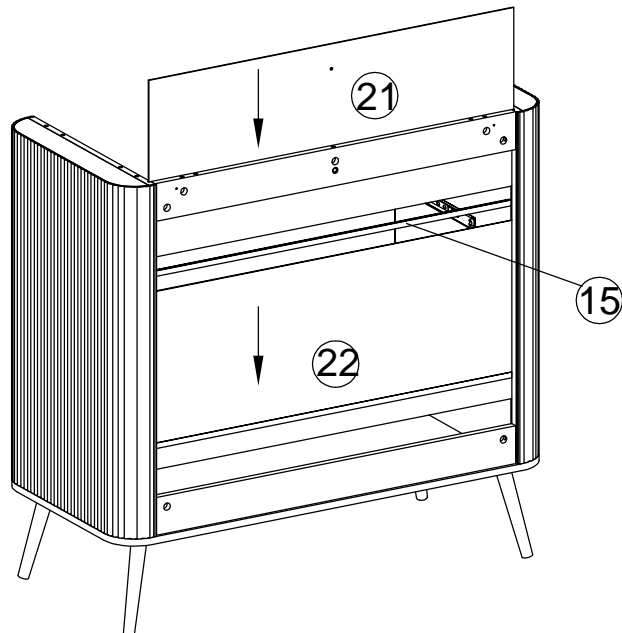


M



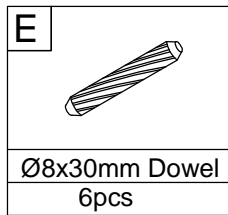
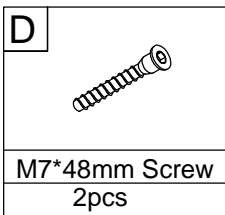
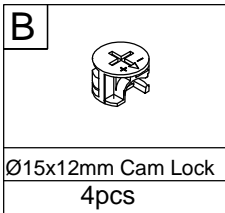
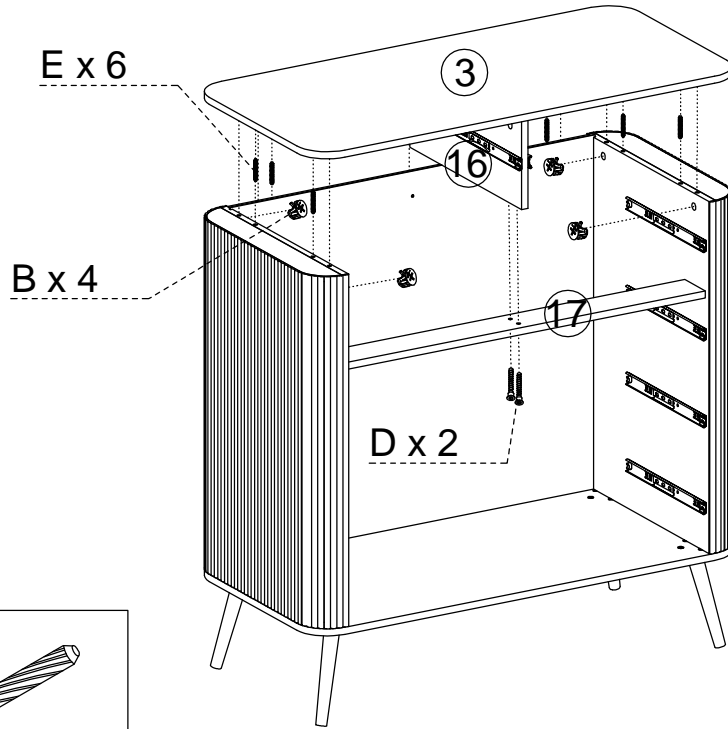
M6\*12mm Screw  
16pcs

6.

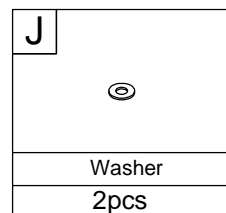
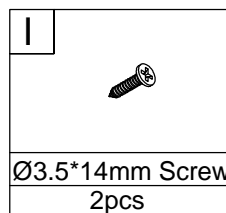
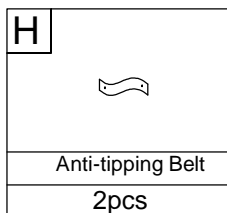
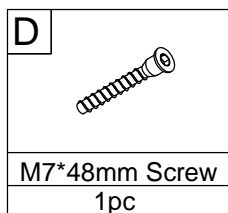
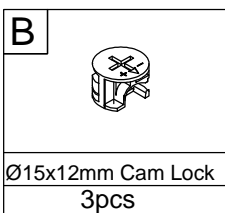
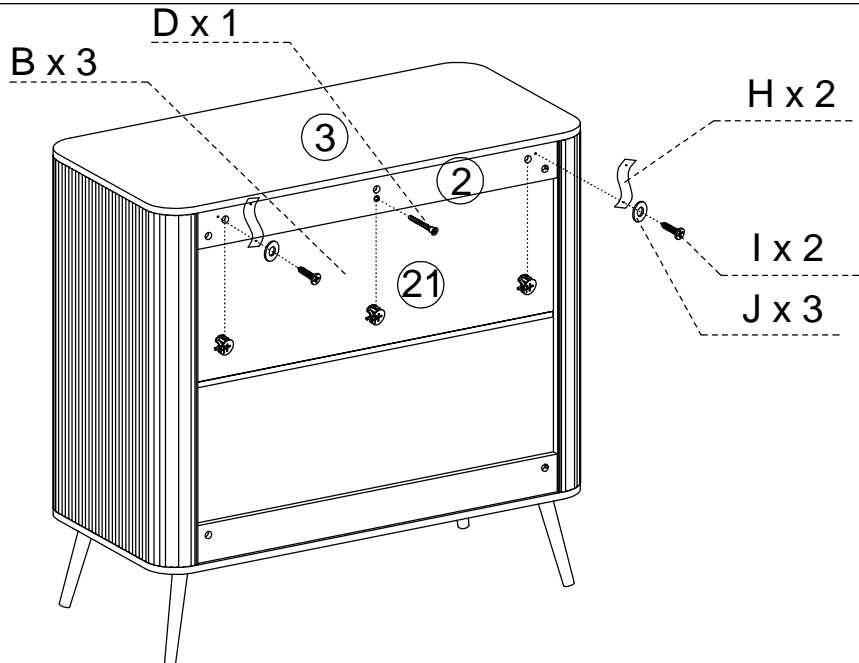




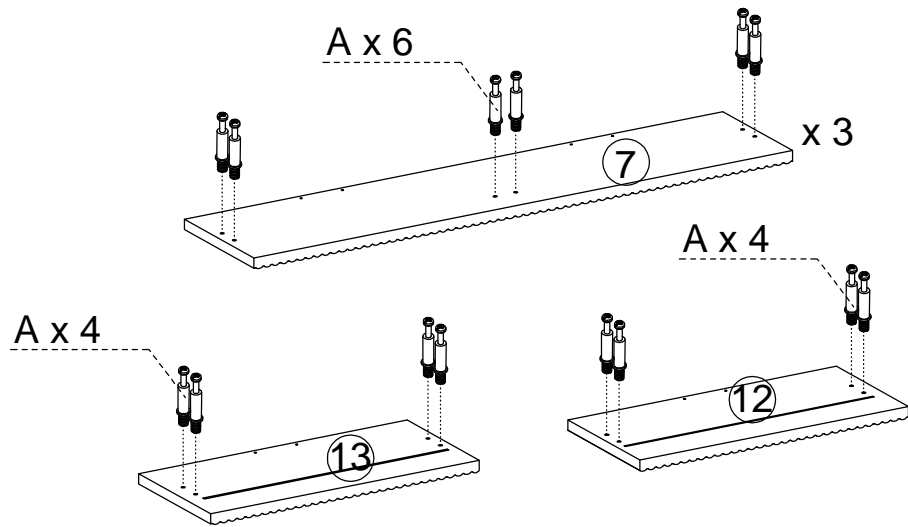
7.

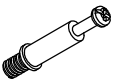


8.

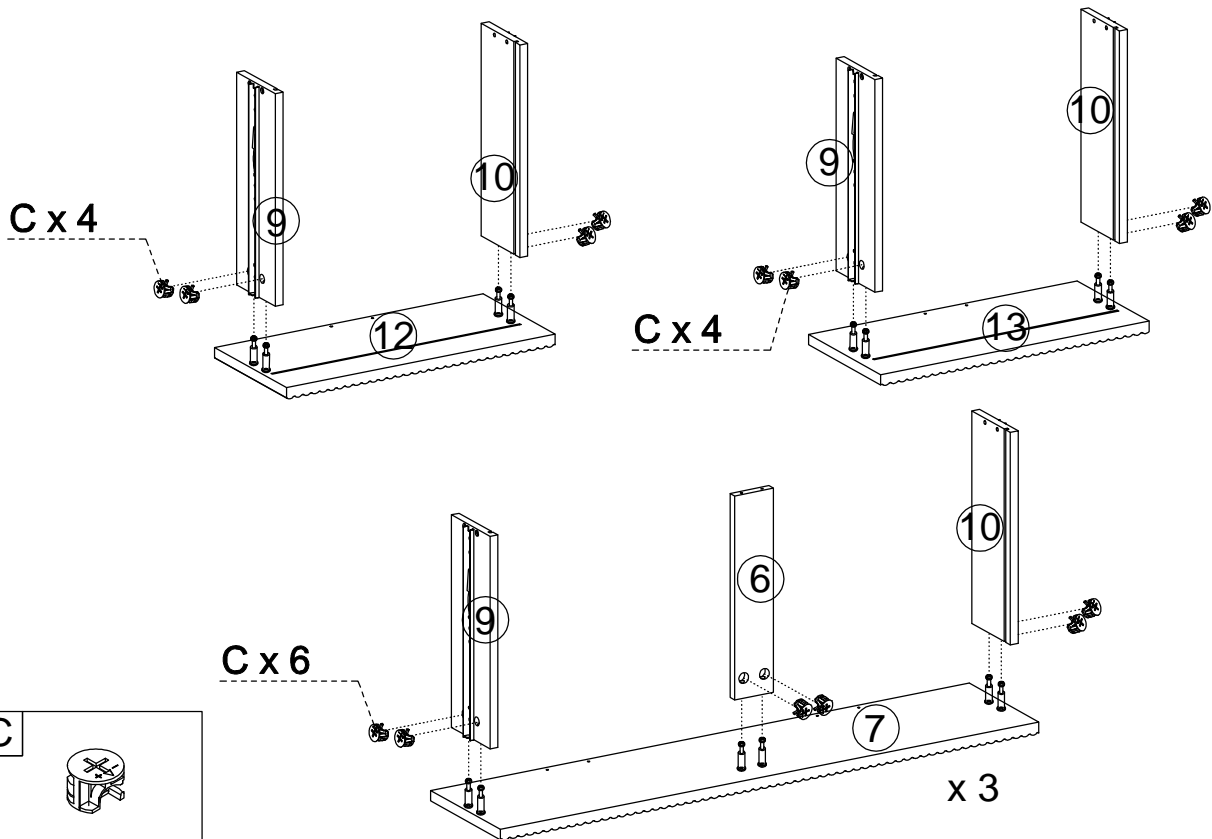



9.



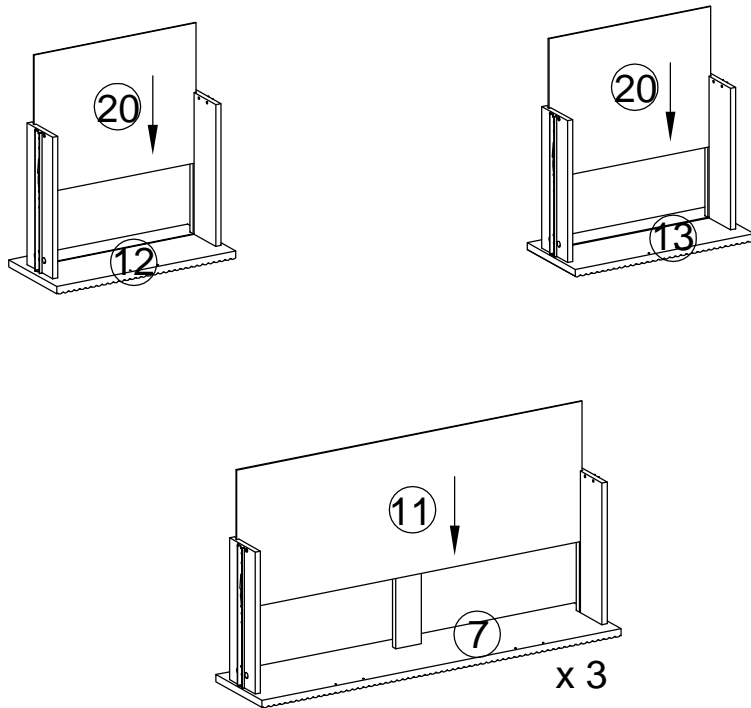
<b>A</b>	
M6*45mm Bolt	
26pcs	

10.

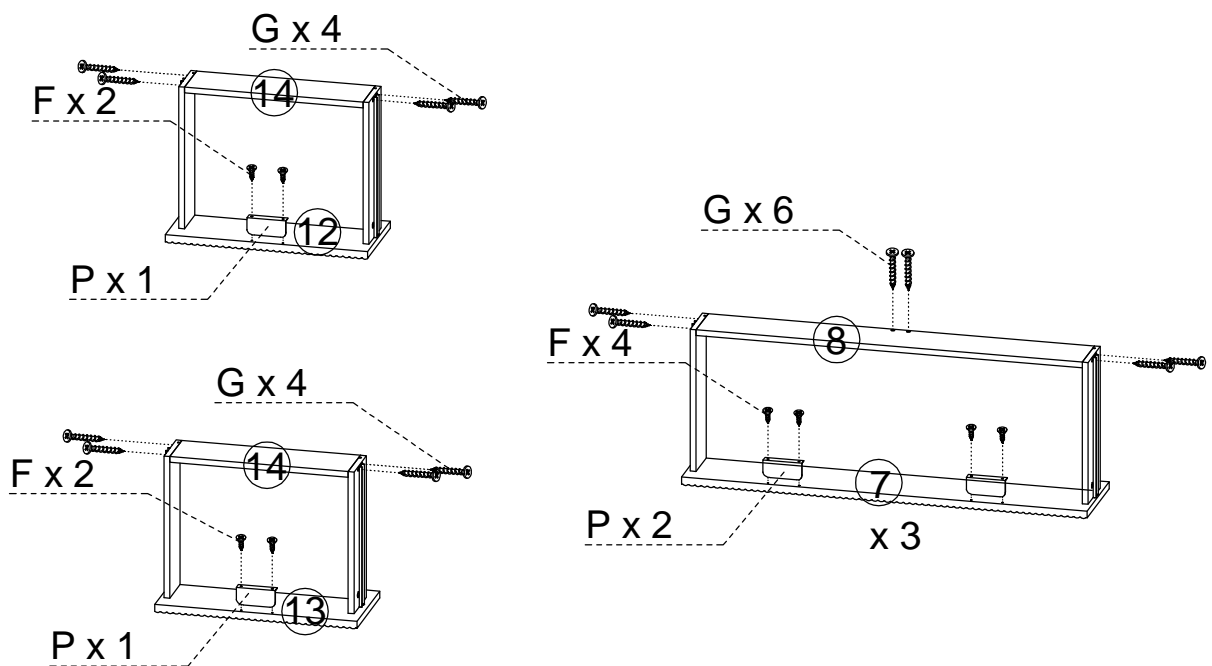



<b>C</b>	
Ø12x9mm Cam Lock	
26pcs	


11.




12.

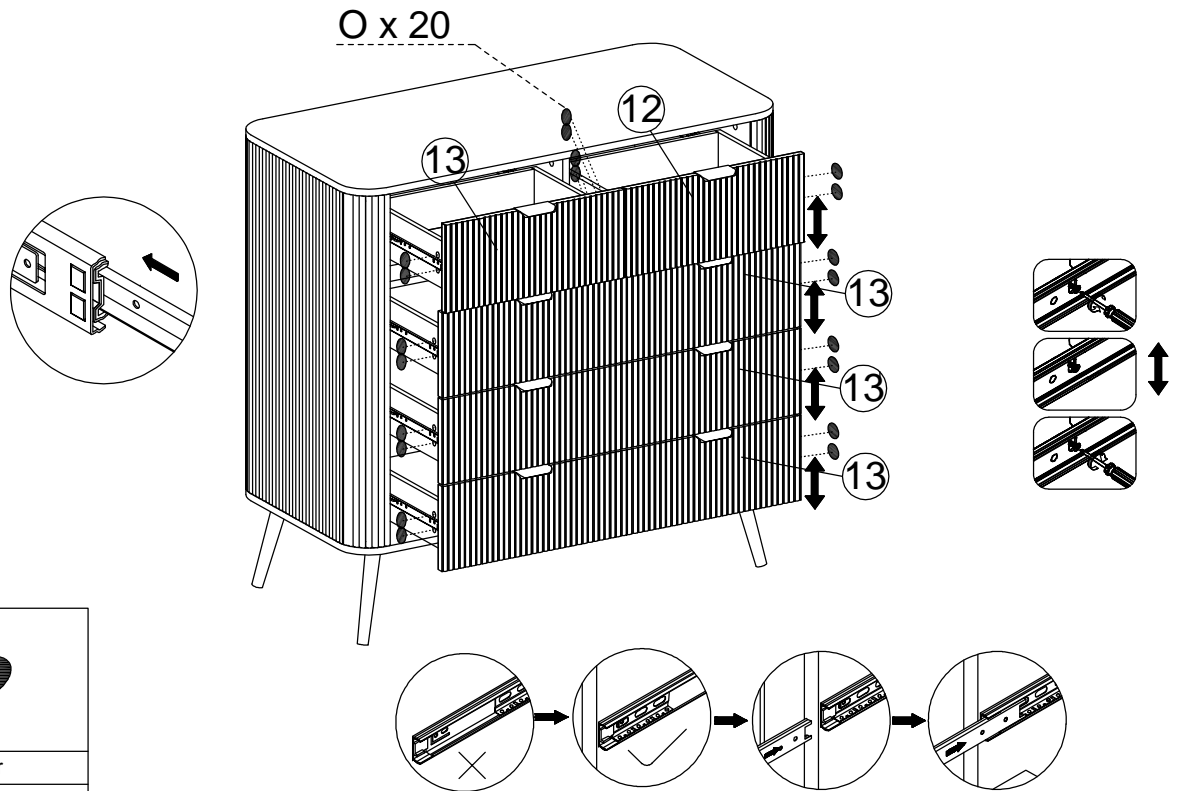


<b>F</b>	
Ø3*12mm Screw 16pcs	

<b>G</b>	
M4*35mm Screw 26pcs	

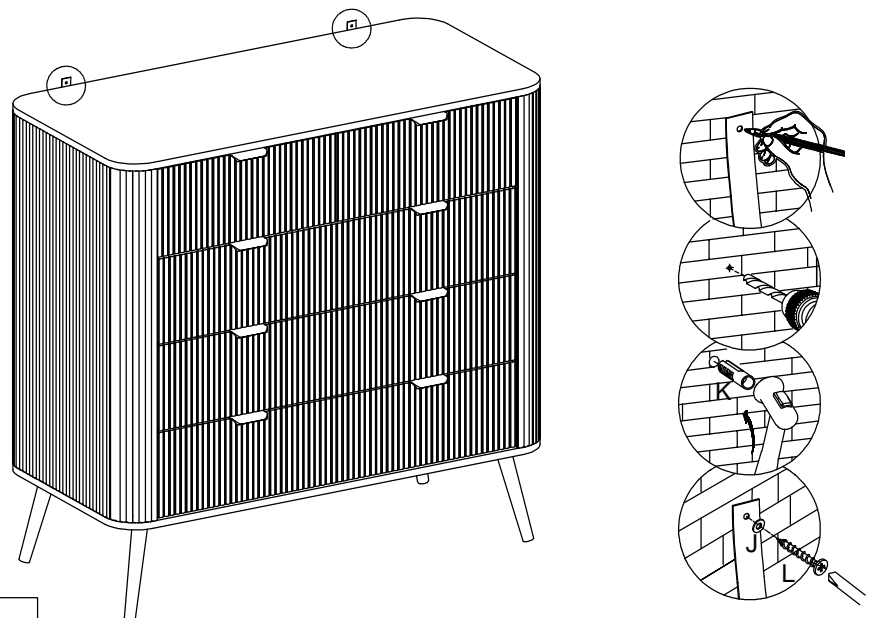
<b>P</b>	
Handle 8pcs	

13.



O	
Cover	
20pcs	

14.



J	
Handle	
2pcs	

K	
Ø6x30mm Wall Plug	
2pcs	

L	
M4*30mm Screw	
2pcs	