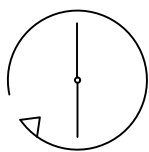
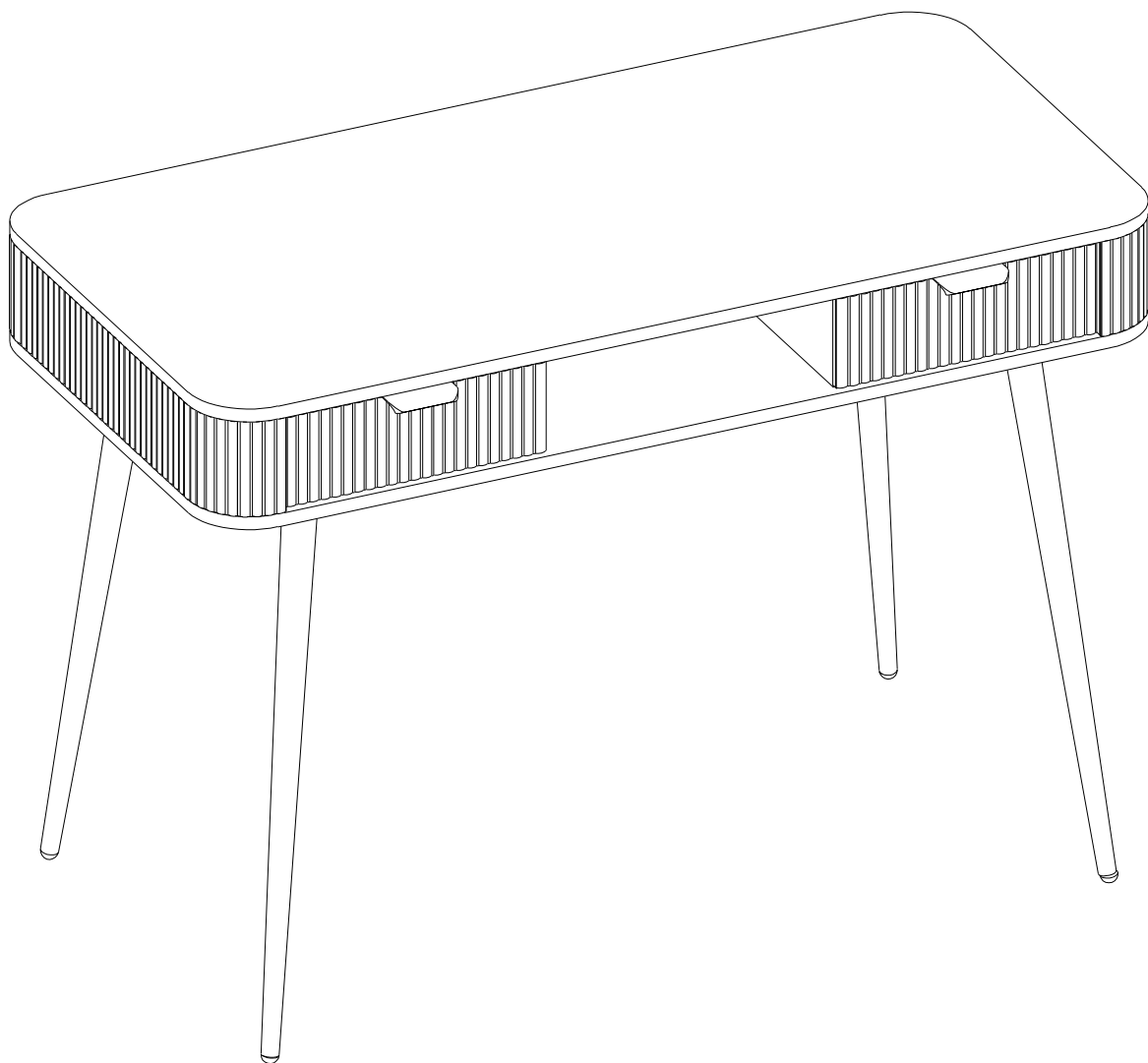


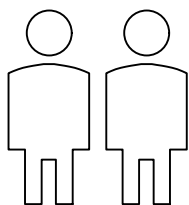
**DUSK.COM**  
LIVING | BEDROOM | DINING

Range Name : Hattie  
Box dimensions : 118.8x61.8x18.5cm

## Hattie Desk



Up to 60 minutes  
assembly time



Two person  
assembly

This product is intended for domestic use only, not for commercial purposes.

P-1-12

## IMPORTANT

### ASSEMBLY TIP

Before you begin, it's best to identify all of the parts and fittings to build your Willow Wardrobe frame. We advise laying these out on the floor to check you have everything, and to familiarise yourself with all of the parts and fittings before building.

### TOP TIP

We recommend that you assemble the Willow Wardrobe in the room you'd like it to be located. This will help prevent any risk of damage to the frame whilst moving it.

### SAFETY AND CARE

It's important to ensure children and animals are kept away from the assembly area, as there are small components used in this product which could present a choking hazard. All plastic and wrapping materials should also be kept away from children and animals to prevent any risk of suffocation.

### HELP AND SUPPORT

Please contact our customer service team on 0113 519 0311 if you have any questions or issues with your purchase.

### RECYCLING

Please ensure that packaging is disposed of in a safe and environmentally friendly way, and recycle where possible. Please keep your assembly instructions safe to refer back to in the future.

### CARE AND MAINTENANCE:

1. Only clean using a damp cloth, do not use bleach or abrasive cleaners as they may damage the finish over time.
2. Do not use a very wet cloth or allow any liquid to contact with the veneer for a long period of time. Wipe any spillage immediately. Absorption can cause wood to warp or finishes to de-laminate.
3. Do not scrub or rub the surface when cleaning.
4. Do not drag the Willow Wardrobe when moving, lift it off the floor instead.
5. Use a placemat or a coaster when putting hot items (e.g. hot drinks and dishes) on the wood surface.
6. It is not recommended to place the item next to sources of heat such as radiators, fires or directly exposed to sunlight. This may cause the wood to crack, split or fade due to the heat and humidity.
7. Wood will mellow and change colour over time, we recommend that ornaments and items placed on the surface to be moved regularly to prevent uneven mellowing.
8. Regularly check all fixings to ensure none have come loose. Re-tighten if necessary.
9. Avoid sharp items such as a screwdriver or any pointy tools.
10. Dispose of all packaging carefully and responsibly - recycle where possible.

## Parts list

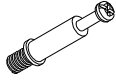







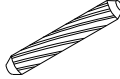



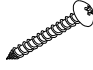




Before you begin building your Willow Wardrobe, please take a moment to read through the instructions and make sure that you have all the relevant parts listed on the parts check list.

Part Number	Part Description	Quantity
①	Top Panel	1pc
②	Bottom Panel	1pc
③	Left Side Panel	1pc
④	Right Side Panel	1pc
⑤	Left Middle Panel	1pc
⑥	Right Middle Panel	1pc
⑦	Back Panel	1pc
⑧	Left Drawer Front	1pc

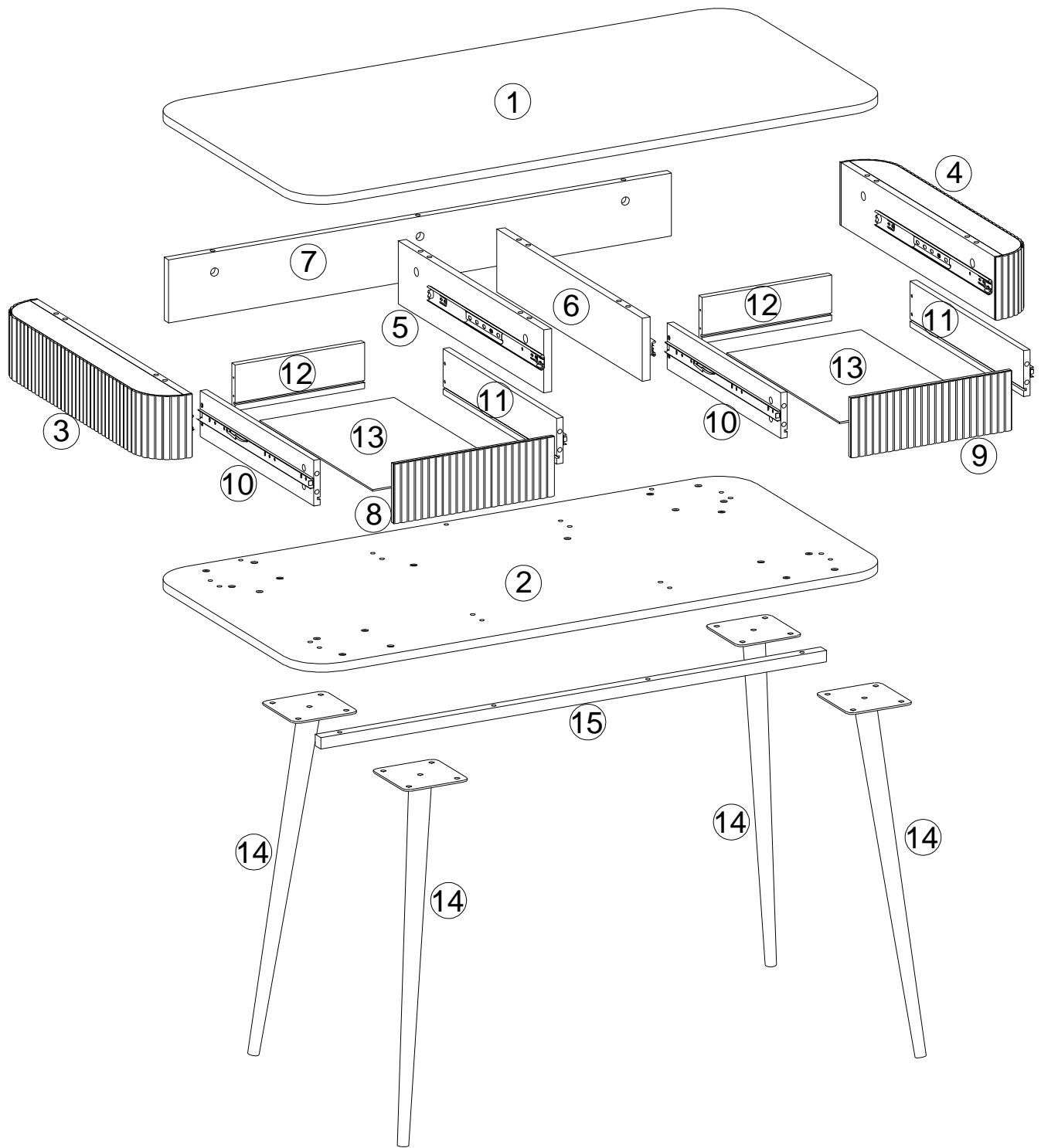
Part Number	Part Description	Quantity
⑨	Right Drawer Front	1pc
⑩	Drawer Left	2pcs
⑪	Drawer Right	2pcs
⑫	Drawer Back	2pcs
⑬	Drawer Bottom	2pcs
⑭	Leg	4pcs
⑮	Support Bar	1pc

# Fittings

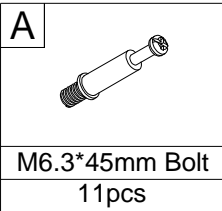
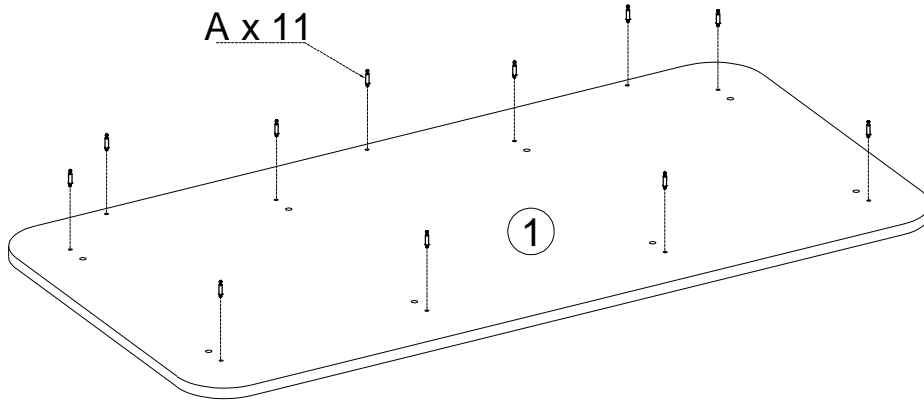
Please check you have all the fittings listed below with your product.

<p><b>A</b></p>  <p>M6.3*45mm Bolt 19pcs+1pc extra</p>	<p><b>B</b></p>  <p>Ø15*12mm Cam Lock 11pcs+1pc extra</p>	<p><b>C</b></p>  <p>Ø12*9mm Cam Lock 8pcs+1pc extra</p>	<p><b>D</b></p>  <p>M3.0*12mm Screw 4pcs</p>	<p><b>E</b></p>  <p>M4*35mm Screw 8pcs+1pc extra</p>
<p><b>F</b></p>  <p>M7*38mm Screw 11pcs+1pc extra</p>	<p><b>G</b></p>  <p>M6*30mm Screw 4pcs</p>	<p><b>H</b></p>  <p>M6*15mm Screw 16pcs+1pc extra</p>	<p><b>I</b></p>  <p>Ø8*30mm Dowel 16pcs+1pc extra</p>	<p><b>J</b></p>  <p>4mm Allen Key 1pc</p>
<p><b>K</b></p>  <p>Cover 9pcs+1pc extra</p>	<p><b>L</b></p>  <p>Anti-tipping Belt 2pcs</p>	<p><b>M</b></p>  <p>M5*35mm Screw 2pcs</p>	<p><b>N</b></p>  <p>M3.5*14mm Screw 2pcs</p>	<p><b>O</b></p>  <p>8mm Wall Plug 2pcs</p>
<p><b>P</b></p>  <p>Washer 4pcs</p>	<p><b>Q</b></p>  <p>Handle 2pcs</p>			

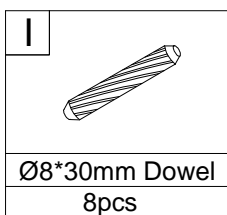
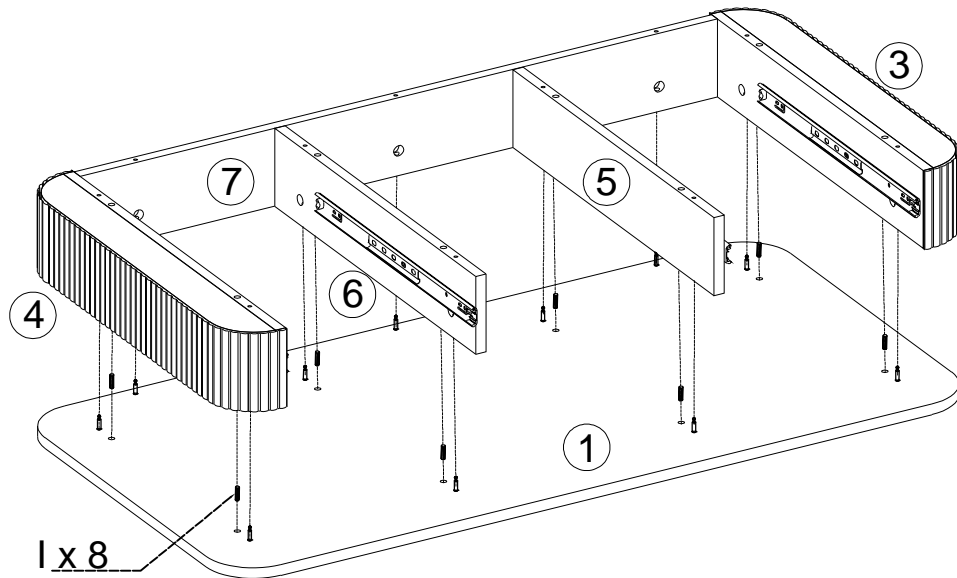
# Parts list



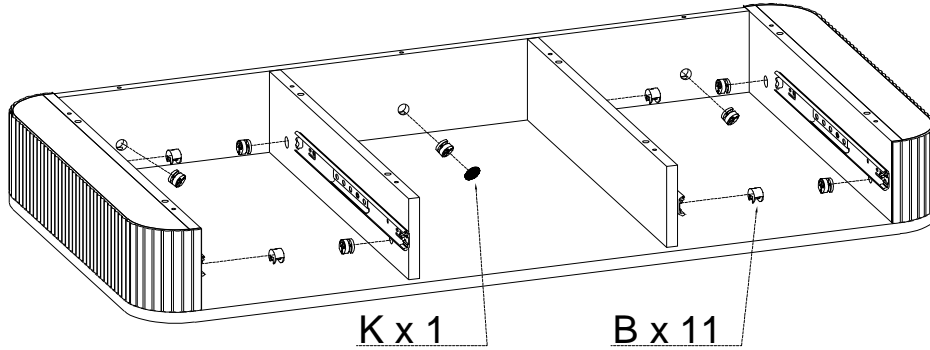
1.





2.

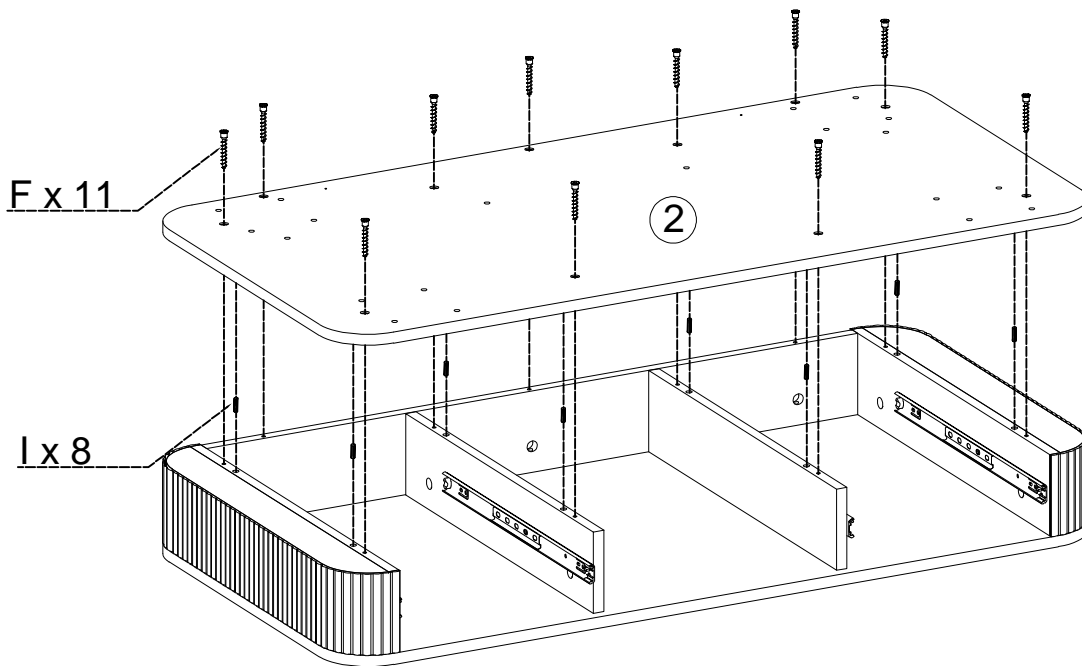




3.



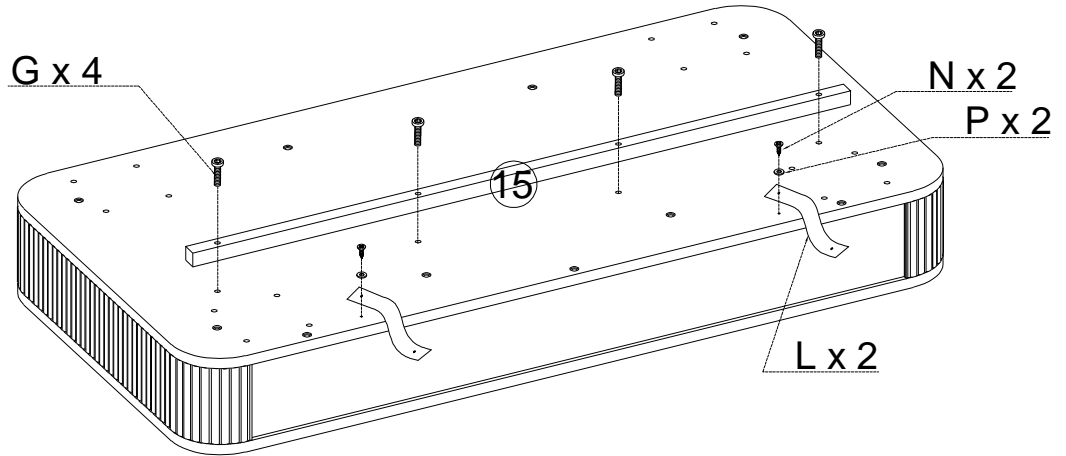
<p><b>B</b></p> 	<p><b>K</b></p> 
<p>Ø15*12mm Cam Lock 11pcs</p>	<p>Cover 1pc</p>





4.



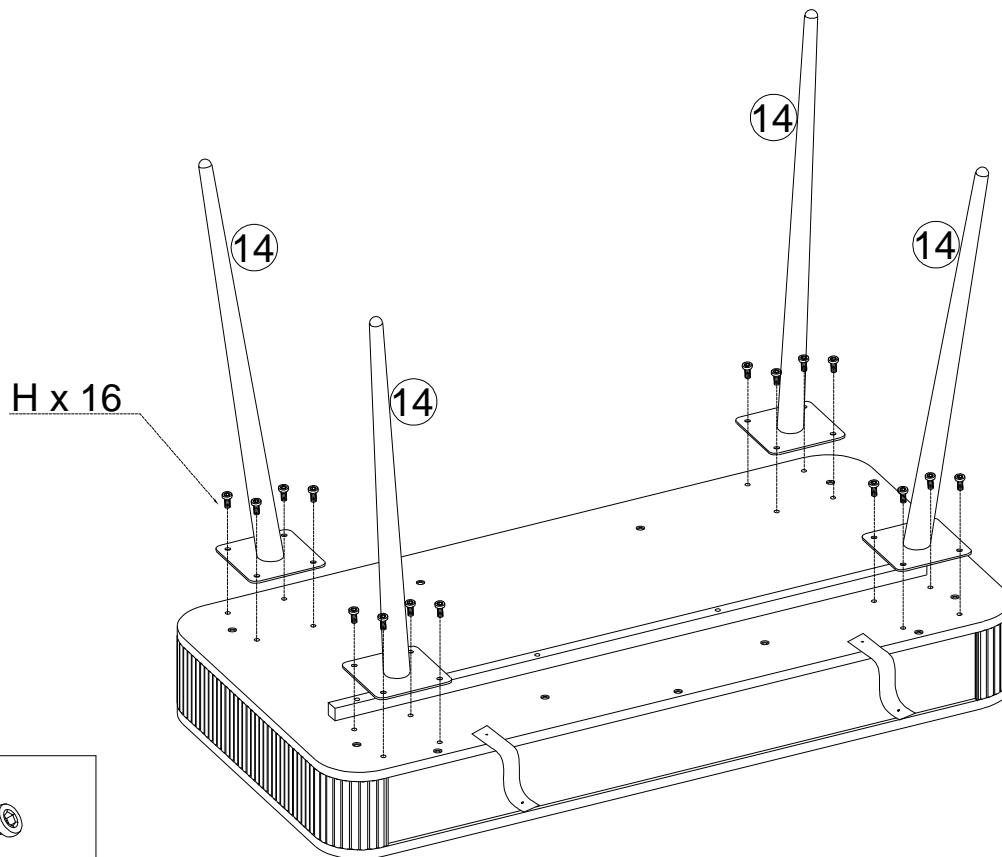
<p><b>I</b></p> 	<p><b>F</b></p> 
<p>Ø8*30mm Dowel 8pcs</p>	<p>M7*38mm Screw 11pcs</p>


5.



G	P	L	N
			
M6*30mm Screw 4pcs	Screw 2pcs	Anti-tipping Belt 2pcs	M3.5*14mm Screw 2pcs

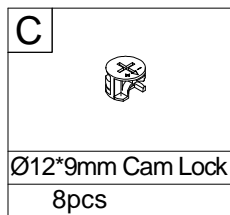
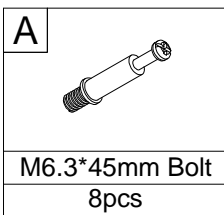
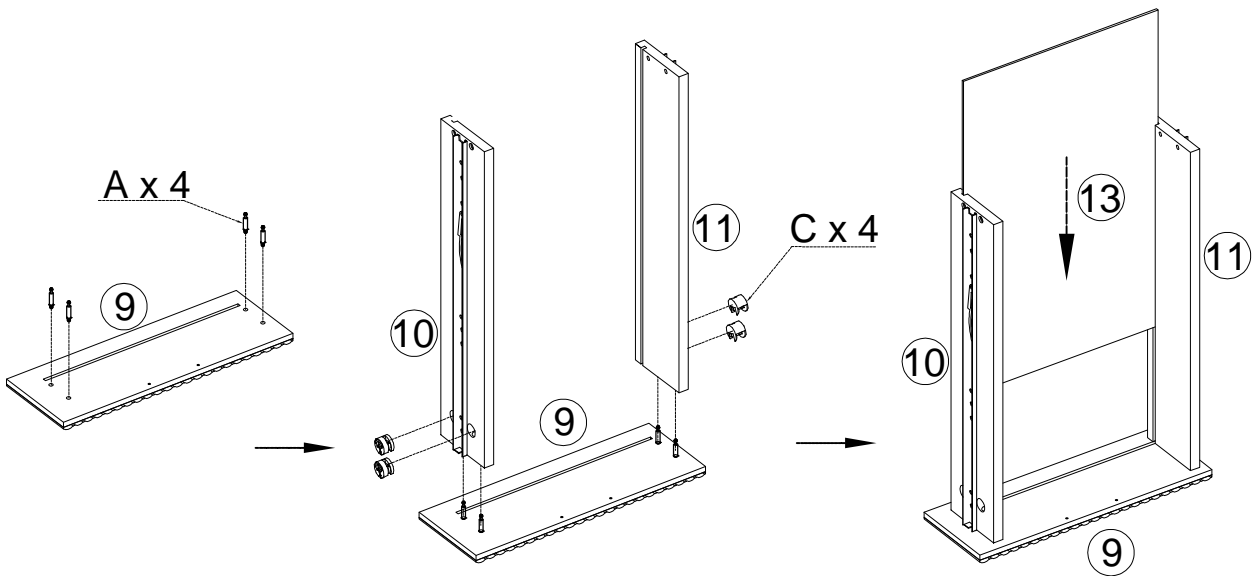
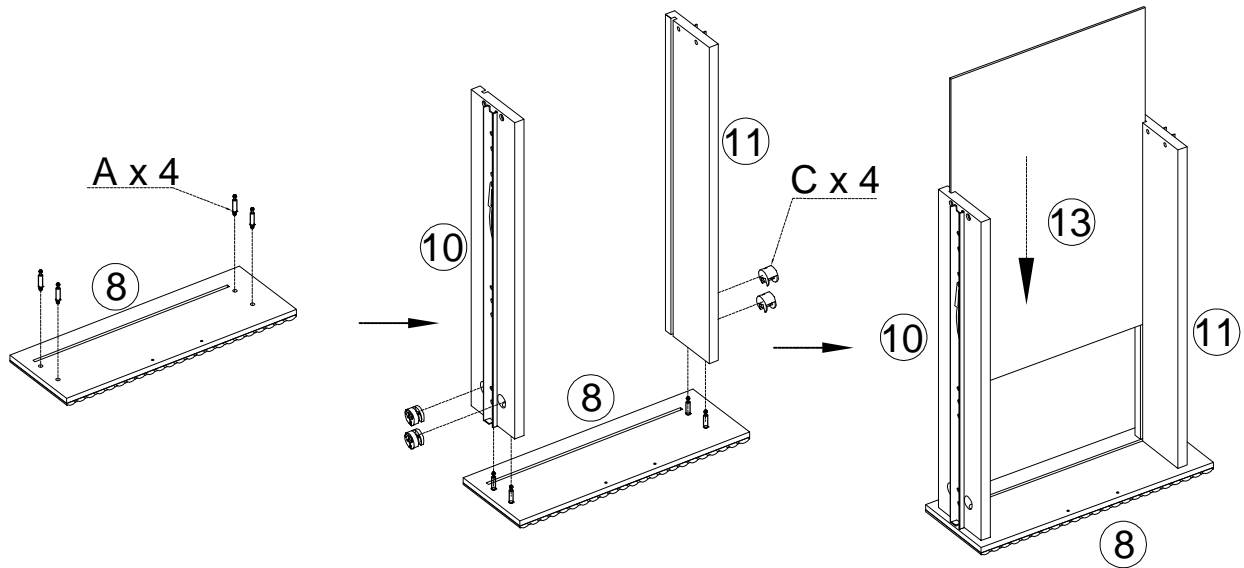
6.



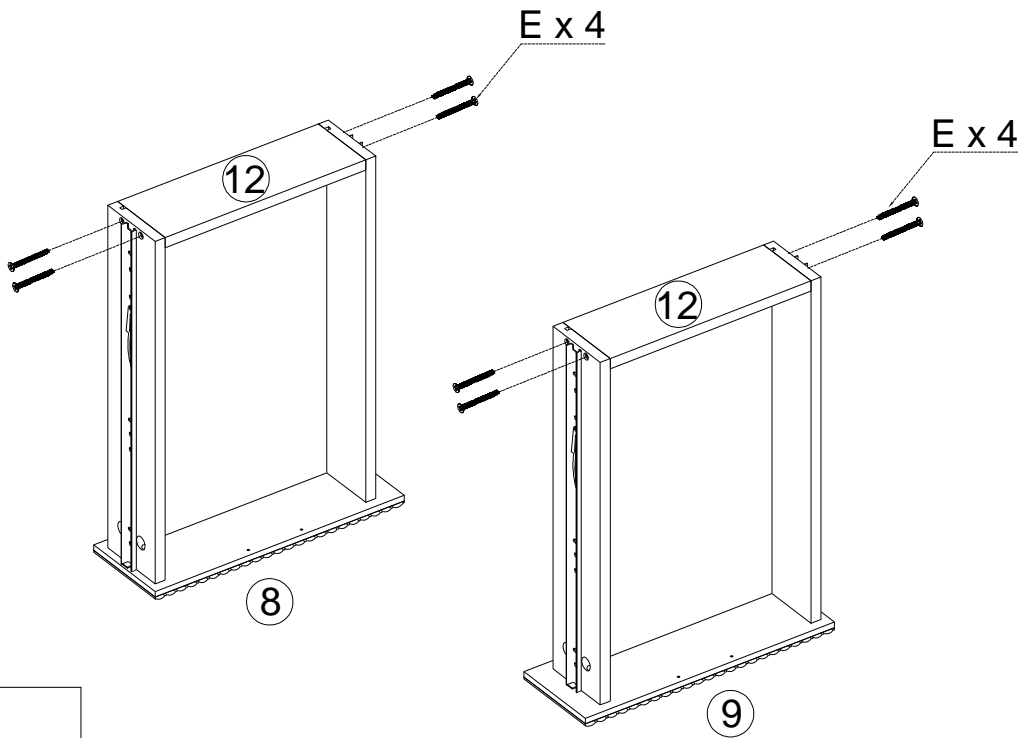
H

M6*15mm Screw 16pcs




7.

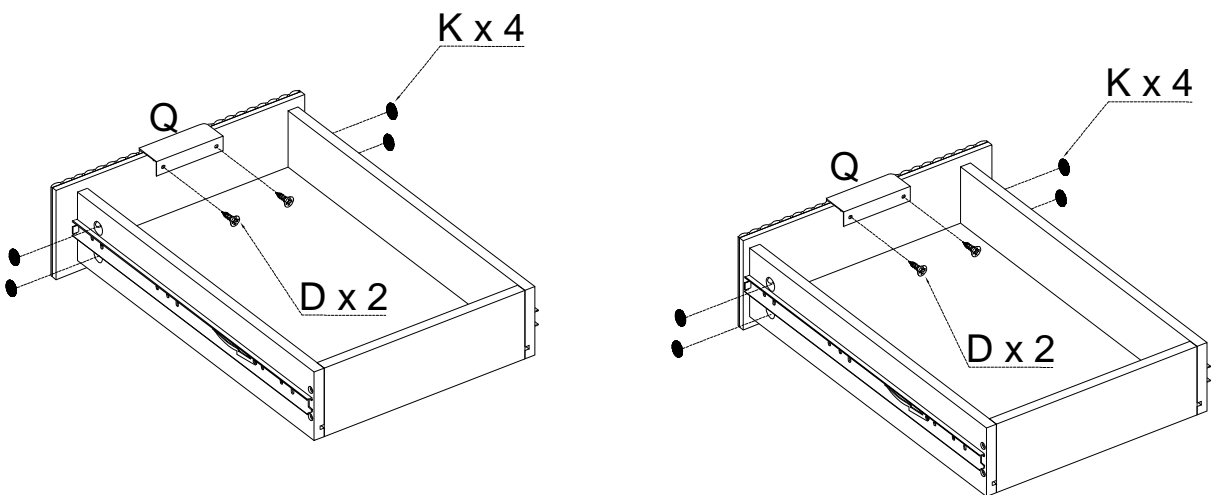



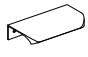

8.



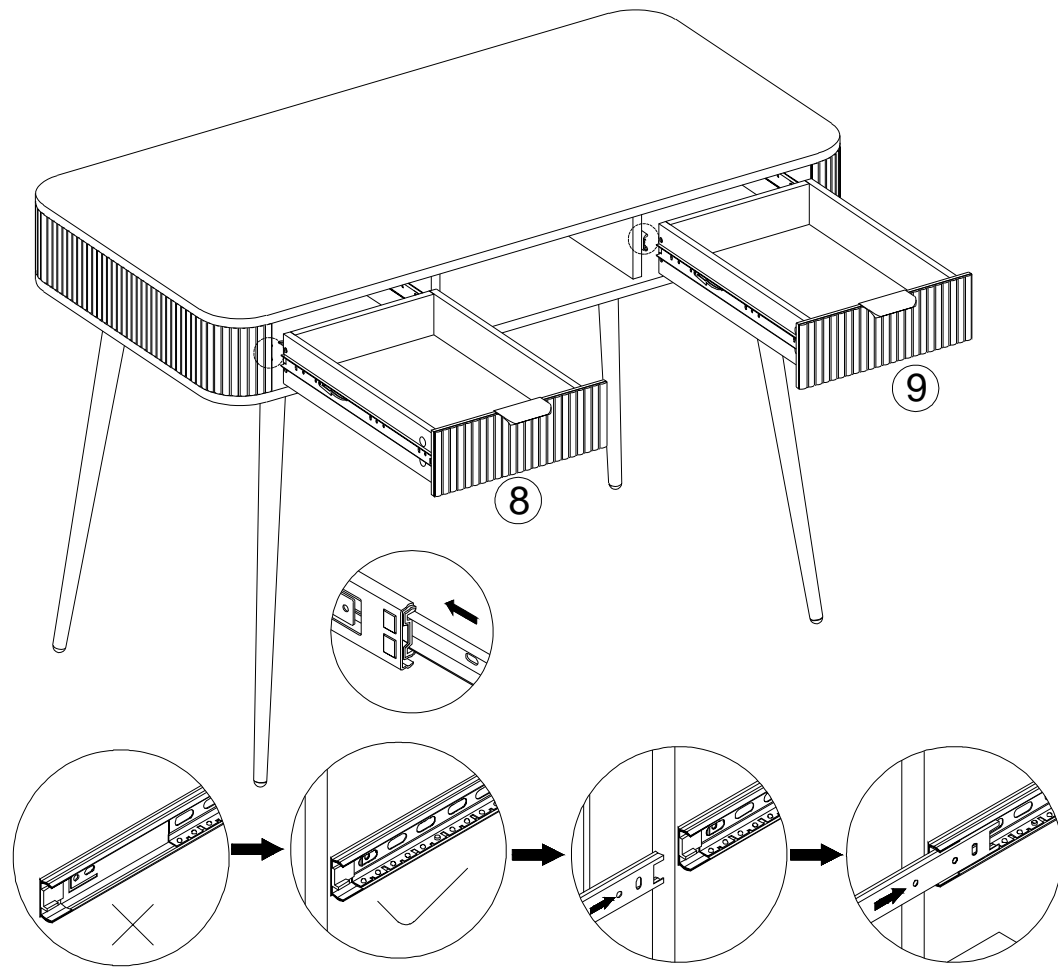
<b>E</b>	
M4*35mm Screw 8pcs	

9.

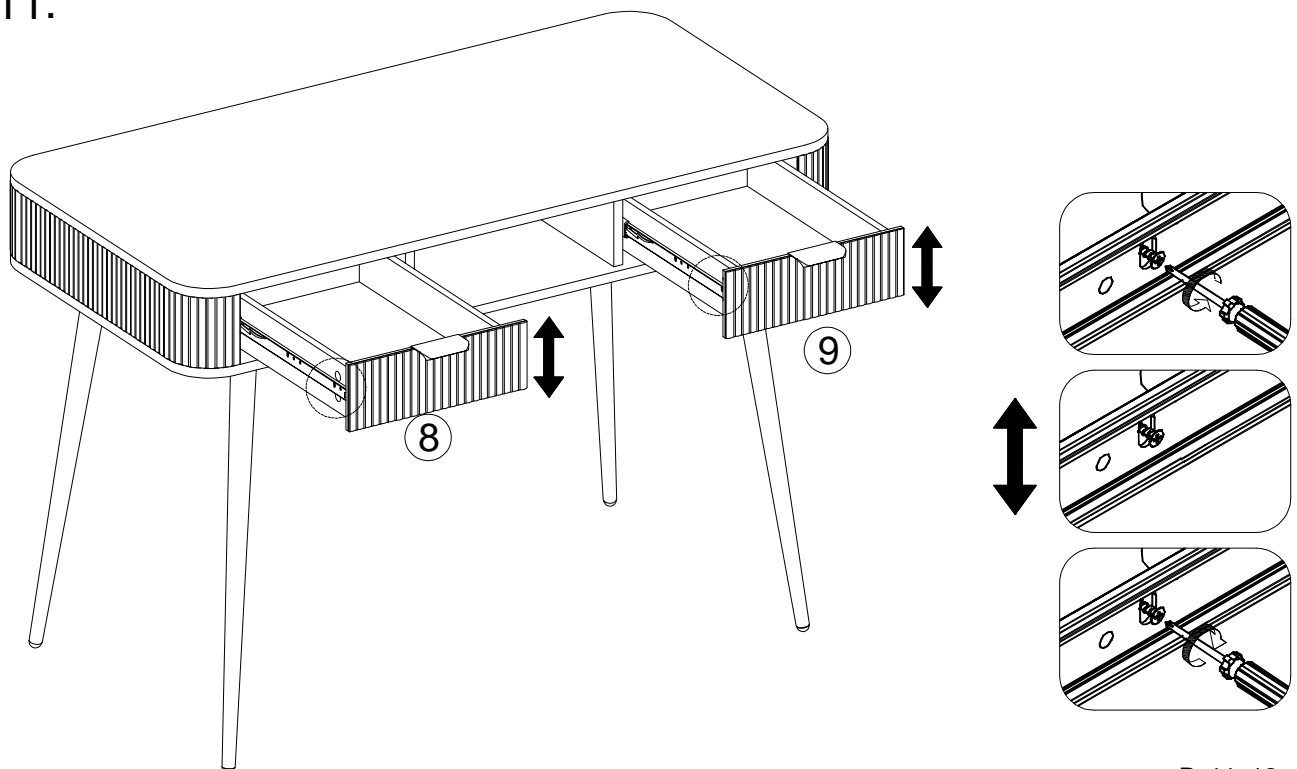


<b>D</b>	<b>Q</b>	<b>K</b>
		
M3.0*12mm Screw 4pcs	Handle 2pcs	Cover 8pcs

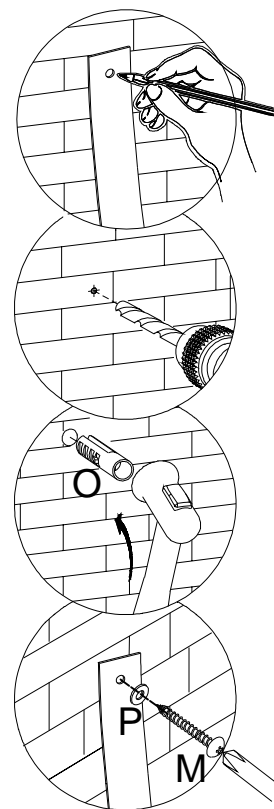
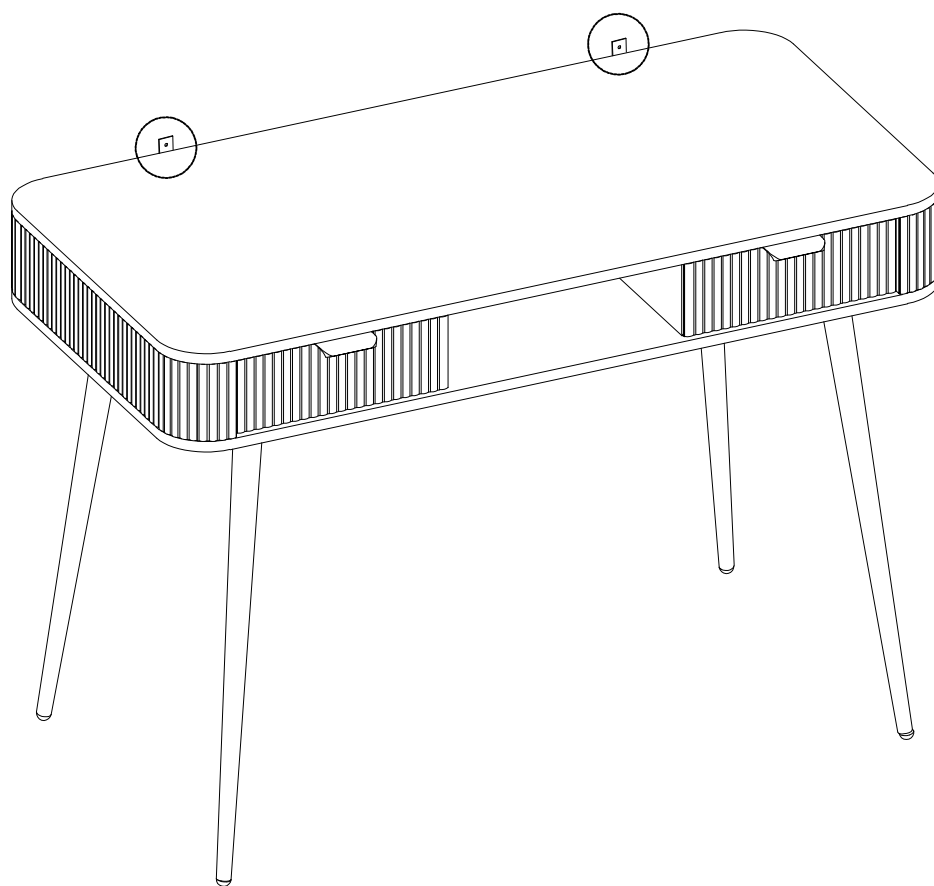
10.






11.



12.



<b>P</b>  Washer 2pcs	<b>M</b>  M5*35mm Screw 2pcs	<b>O</b>  8mm Wall Plug 2pcs
---	--	--