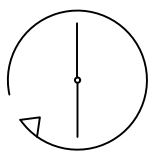
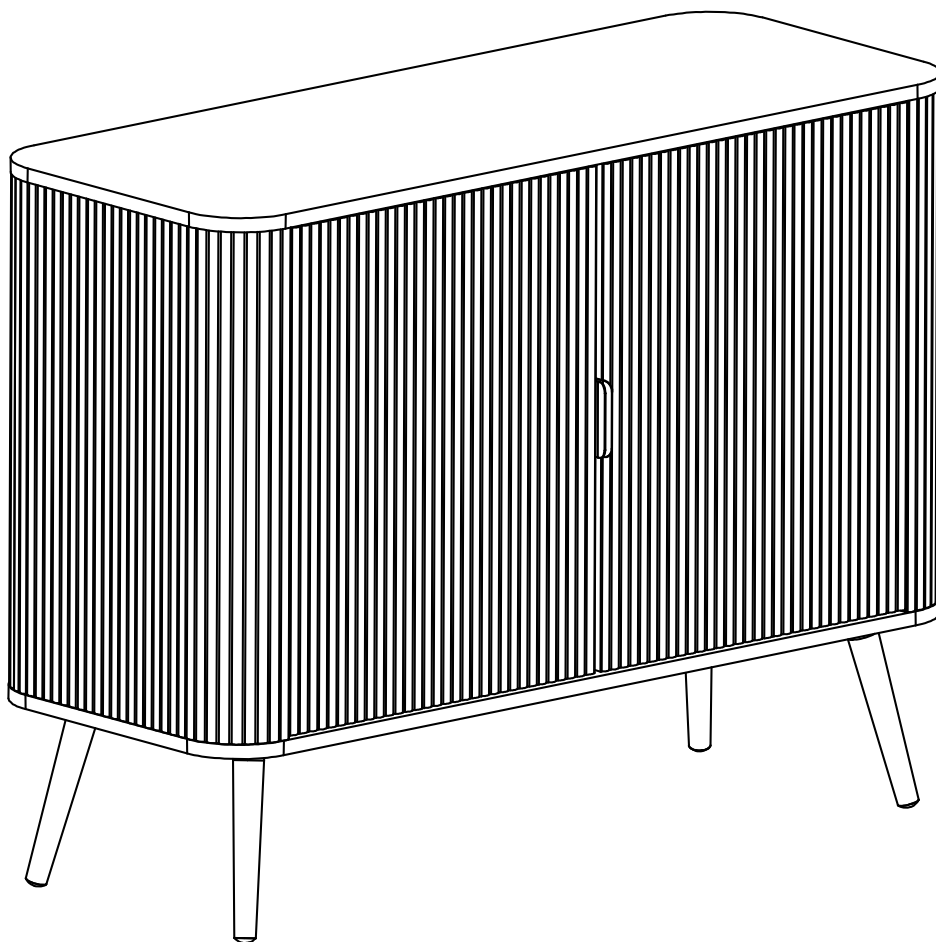


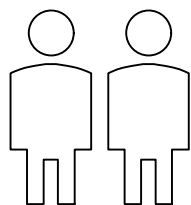
**DUSK.COM**  
LIVING | BEDROOM | DINING

Range Name : Hattie  
Box dimensions : 128x49x20.5cm

## Hattie 2 Door Drinks Cabinet



Up to 30 minutes  
assembly time



Two person  
assembly

This product is intended for domestic use only, not for commercial purposes.

## IMPORTANT

### ASSEMBLY TIP

Before you begin, it's best to identify all of the parts and fittings to build your Hattie 2 Door Drinks Cabinet frame. We advise laying these out on the floor to check you have everything, and to familiarise yourself with all of the parts and fittings before building.

### TOP TIP

We recommend that you assemble the Hattie 2 Door Drinks Cabinet in the room you'd like it to be located.

This will help prevent any risk of damage to the frame whilst moving it.

### SAFETY AND CARE

It's important to ensure children and animals are kept away from the assembly area, as there are small components used in this product which could present a choking hazard. All plastic and wrapping materials should also be kept away from children and animals to prevent any risk of suffocation.

### HELP AND SUPPORT

Please contact our customer service team on 0113 519 0311 if you have any questions or issues with your purchase.

### RECYCLING

Please ensure that packaging is disposed of in a safe and environmentally friendly way, and recycle where possible. Please keep your assembly instructions safe to refer back to in the future.

### CARE AND MAINTENANCE:

1. Only clean using a damp cloth, do not use bleach or abrasive cleaners as they may damage the finish over time.
2. Do not use a very wet cloth or allow any liquid to contact with the veneer for a long period of time. Wipe any spillage immediately. Absorption can cause wood to warp or finishes to de-laminate.
3. Do not scrub or rub the surface when cleaning.
4. Do not drag the Hattie 2 Door Drinks Cabinet when moving, lift it off the floor instead.
5. Use a placemat or a coaster when putting hot items (e.g. hot drinks and dishes) on the wood surface.
6. It is not recommended to place the item next to sources of heat such as radiators, fires or directly exposed to sunlight. This may cause the wood to crack, split or fade due to the heat and humidity.
7. Wood will mellow and change colour over time, we recommend that ornaments and items placed on the surface to be moved regularly to prevent uneven mellowing.
8. Regularly check all fixings to ensure none have come loose. Re-tighten if necessary.
9. Avoid sharp items such as a screwdriver or any pointy tools.
10. Dispose of all packaging carefully and responsibly - recycle where possible.

# Parts list

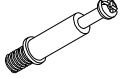












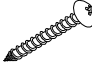

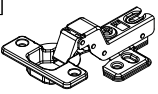
Before you begin building your Willow Wardrobe, please take a moment to read through the instructions and make sure that you have all the relevant parts listed on the parts check list.

Part Number	Part Description	Quantity
①	Leg	4pcs
②	Bottom Panel	1pc
③	Top Panel	1pc
④	Back Panel	2pcs
⑤	Left Side Panel	1pc

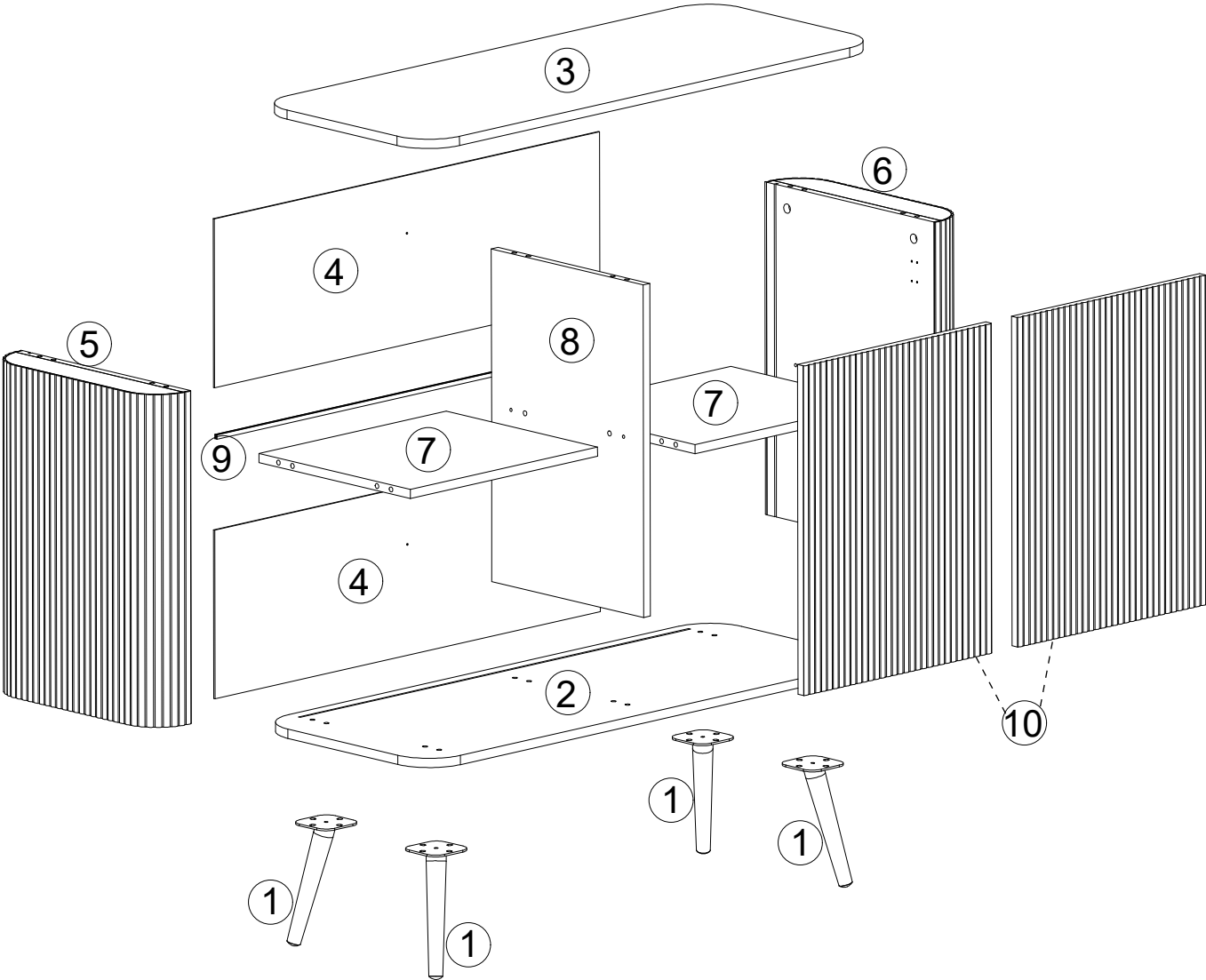
Part Number	Part Description	Quantity
⑥	Right Side Panel	1pc
⑦	Shelf	2pcs
⑧	Middle Panel	1pc
⑨	Plastic Slot	1pc
⑩	Door	2pcs

# Fittings

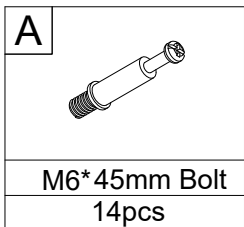
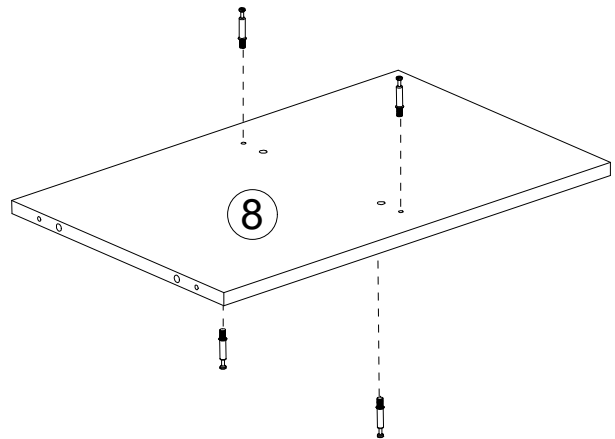
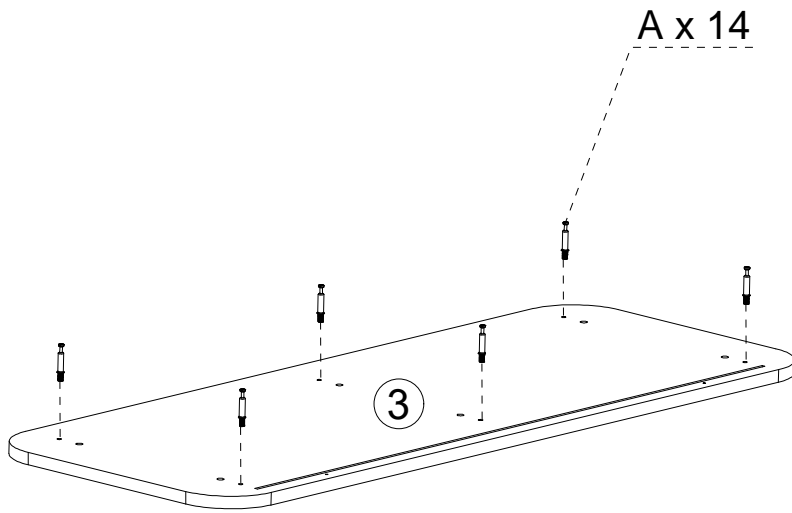
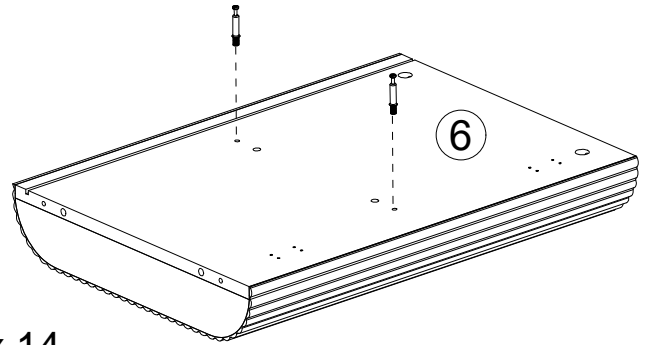
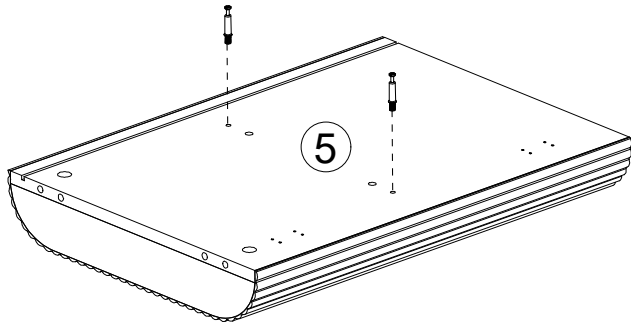
Please check you have all the fittings listed below with your product.

<p><b>A</b></p>  <p>M6*45mm Bolt 14pcs+1pc extra</p>	<p><b>B</b></p>  <p>Ø15*12mm Cam Lock 14pcs+1pc extra</p>	<p><b>C</b></p>  <p>Ø8*30mm Dowel 20pcs+1pc extra</p>	<p><b>D</b></p>  <p>M3*12mm Screw 4pcs</p>	<p><b>E</b></p>  <p>M3.5*14mm Screw 26pcs+1pc extra</p>
<p><b>F</b></p>  <p>M7*38mm Screw 6pcs</p>	<p><b>G</b></p>  <p>M6*15mm Screw 16pcs+1pc extra</p>	<p><b>H</b></p>  <p>Cover 6pcs</p>	<p><b>I</b></p>  <p>Handle 2pcs</p>	<p><b>J</b></p>  <p>4mm Allen Key 1pc</p>
<p><b>K</b></p>  <p>Washer 4pcs</p>	<p><b>L</b></p>  <p>Anti-tippig Belt 2pcs</p>	<p><b>M</b></p>  <p>M3.5*14mm Screw 2pcs</p>	<p><b>N</b></p>  <p>M5*35mm Screw 2pcs</p>	<p><b>O</b></p>  <p>8mm Wall Plug 2pcs</p>
<p><b>P</b></p>  <p>Hinge 4pcs</p>				

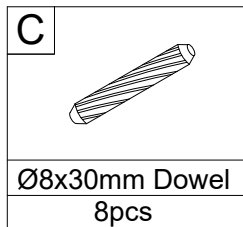
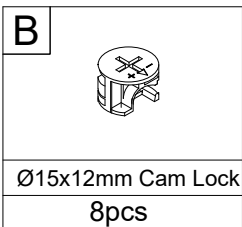
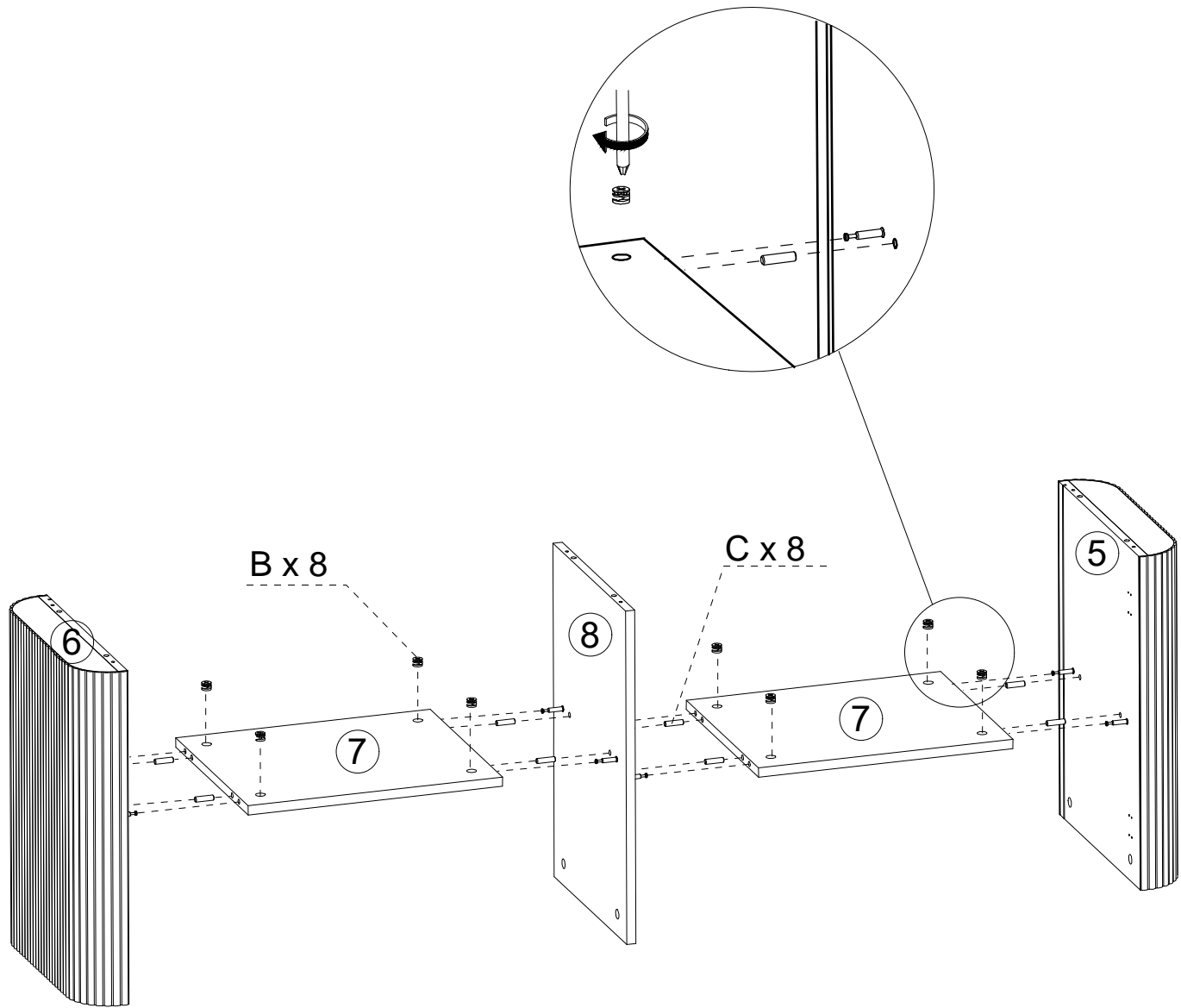
# Parts list



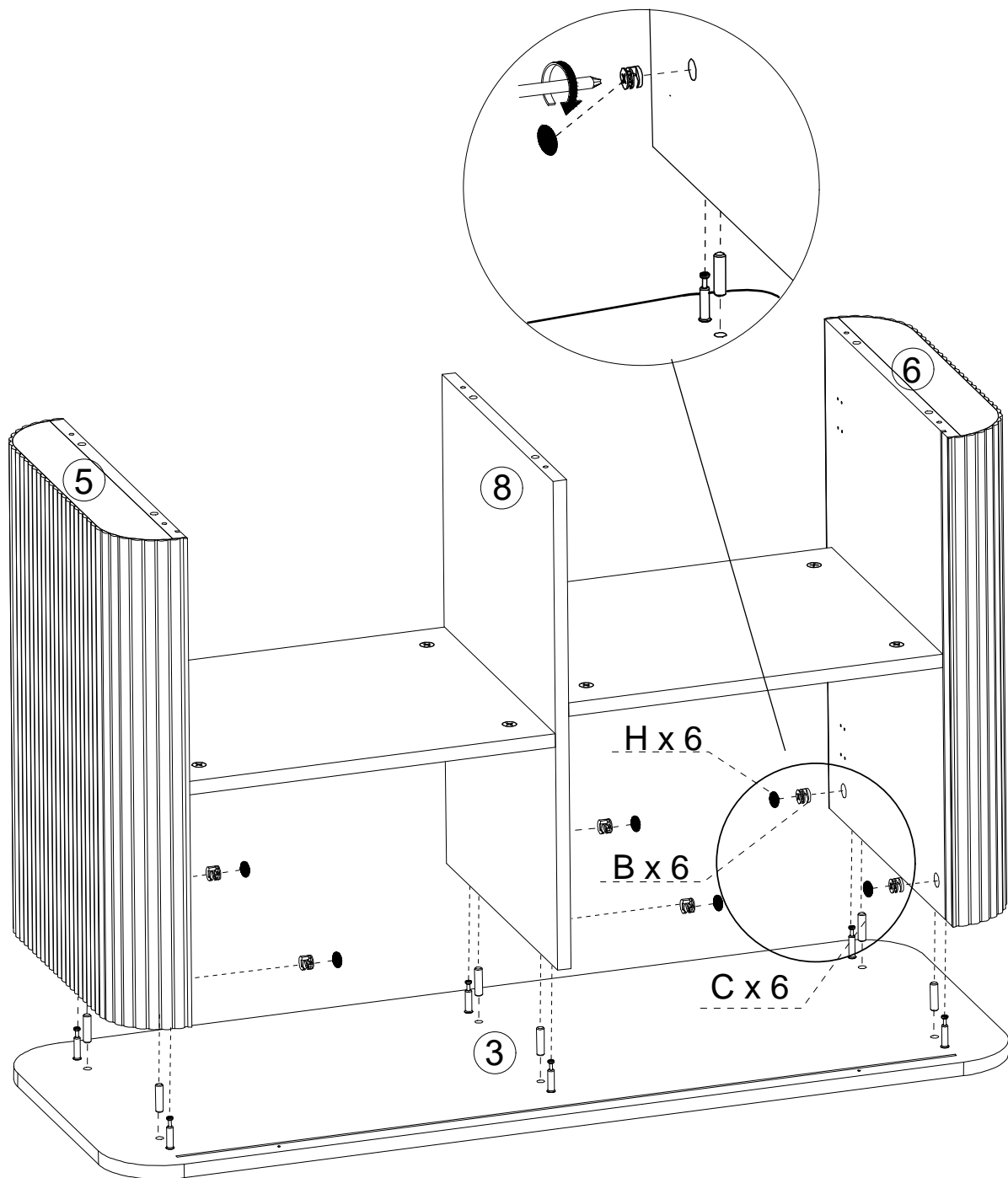
# 1. Attach parts to the boards.

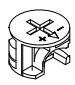



## 2. Attach parts to the boards.




### 3. Assemble the top to the frame.



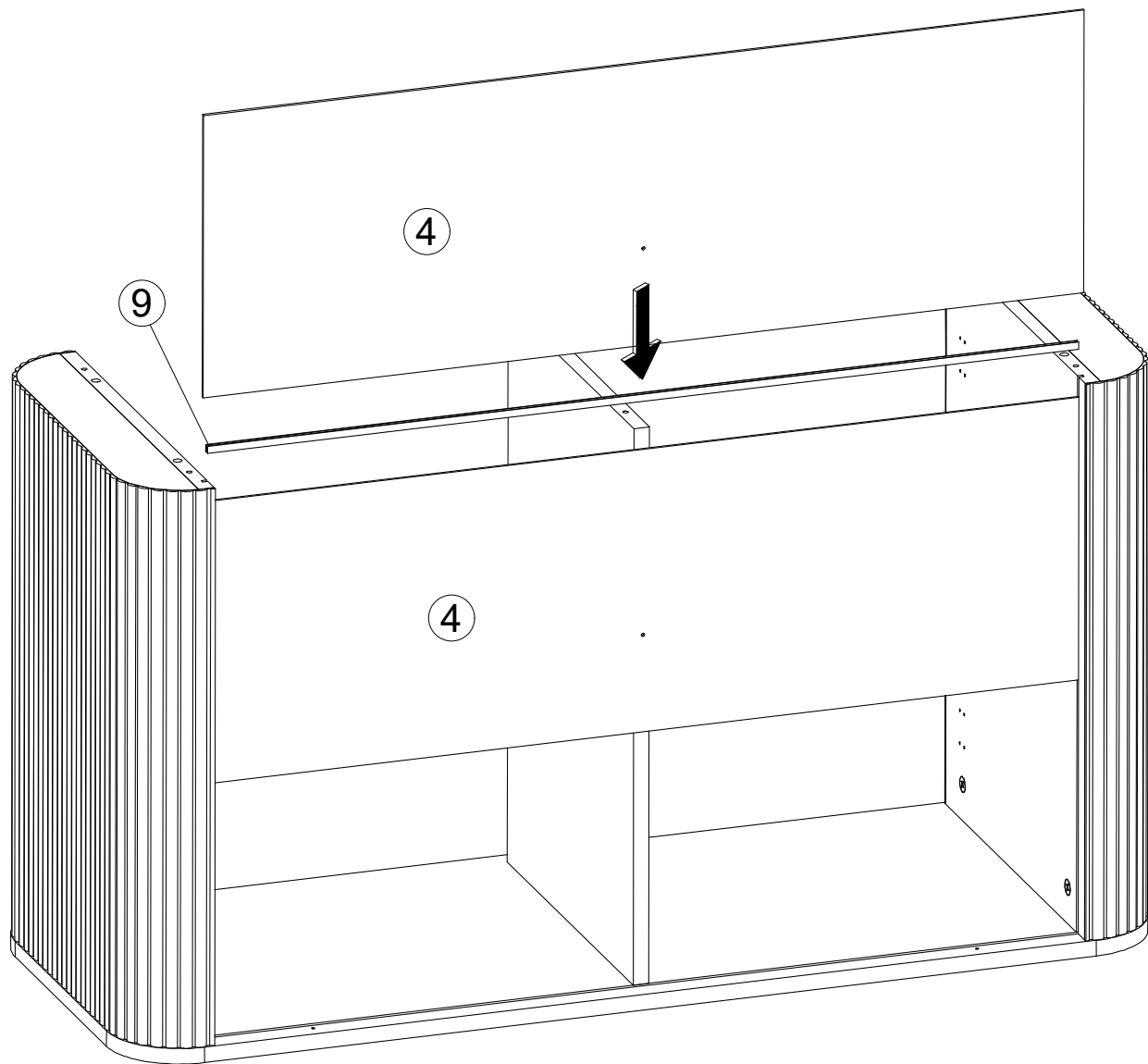
<b>B</b>	
Ø15x12mm Cam Lock	
6pcs	

<b>C</b>	
Ø8x30mm Dowel	
6pcs	

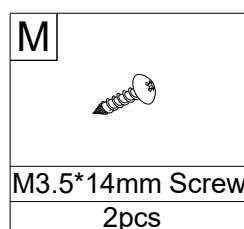
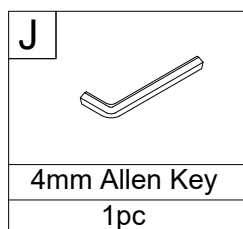
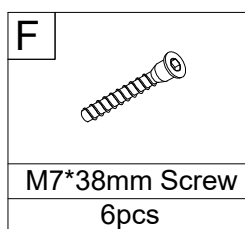
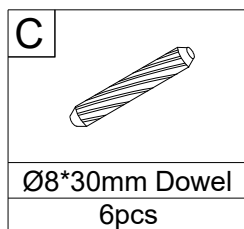
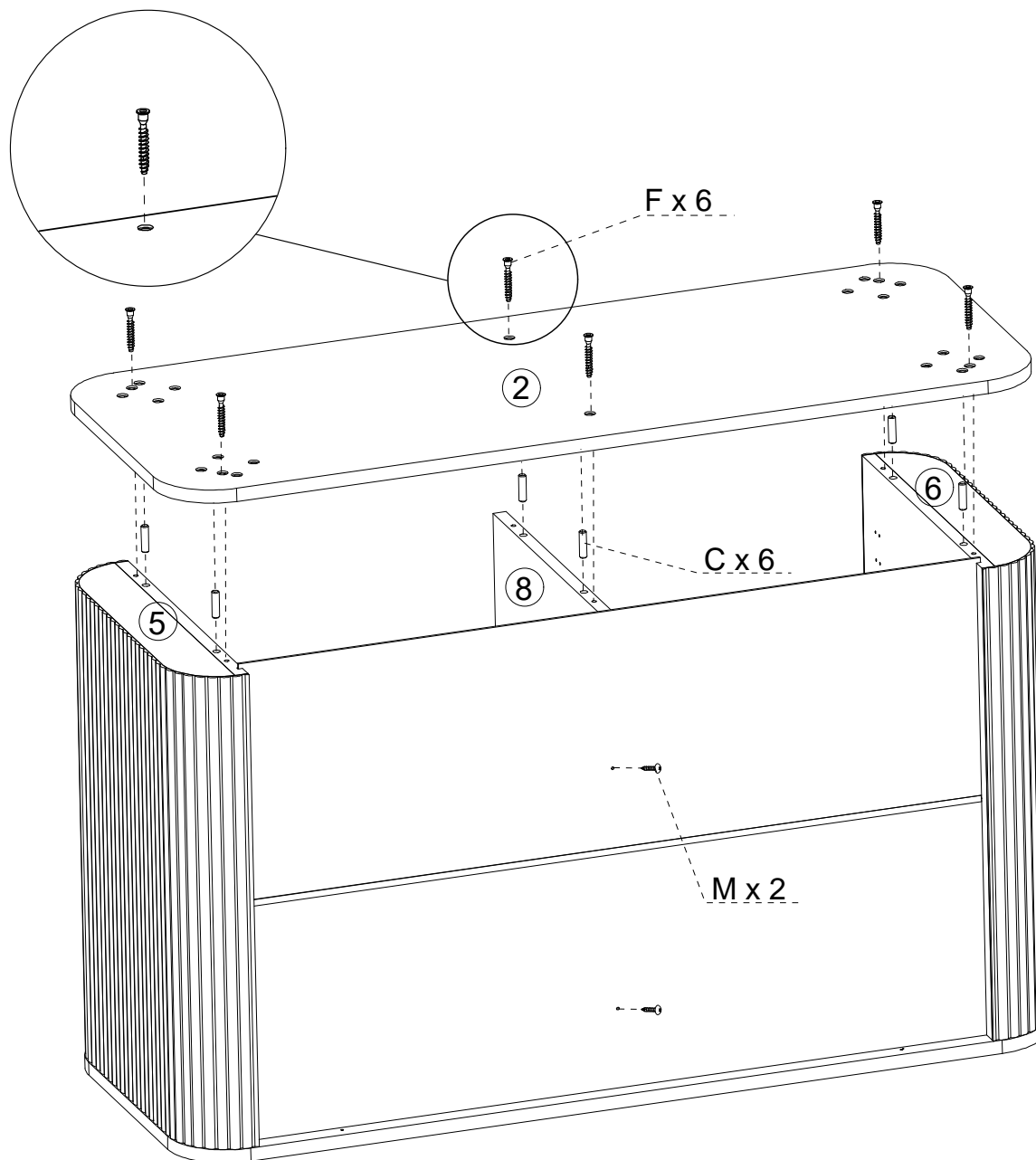
<b>H</b>	
Cover	
6pcs	



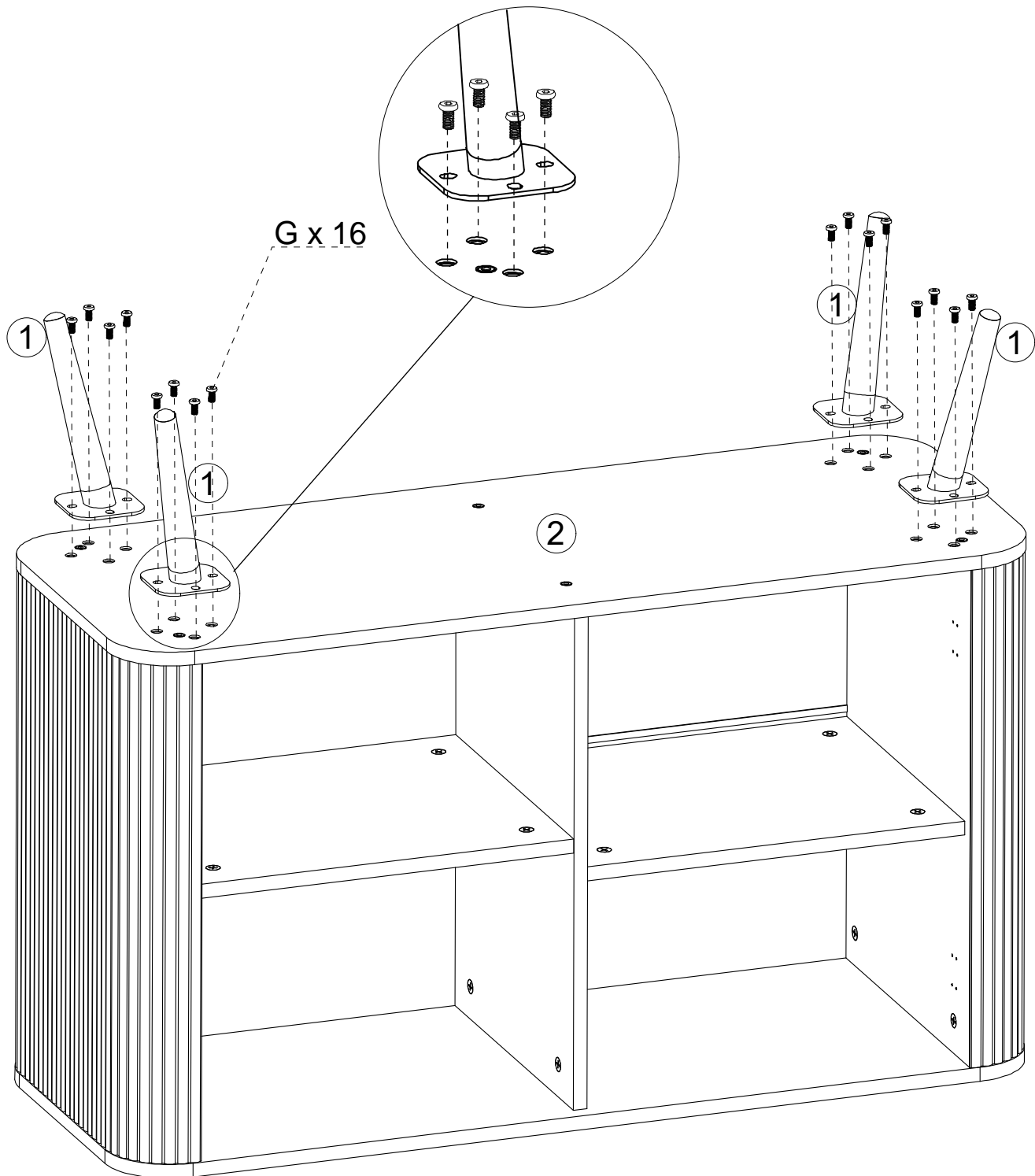
#### 4. Assemble boards to the frame.





## 5. Assemble boards to the frame.



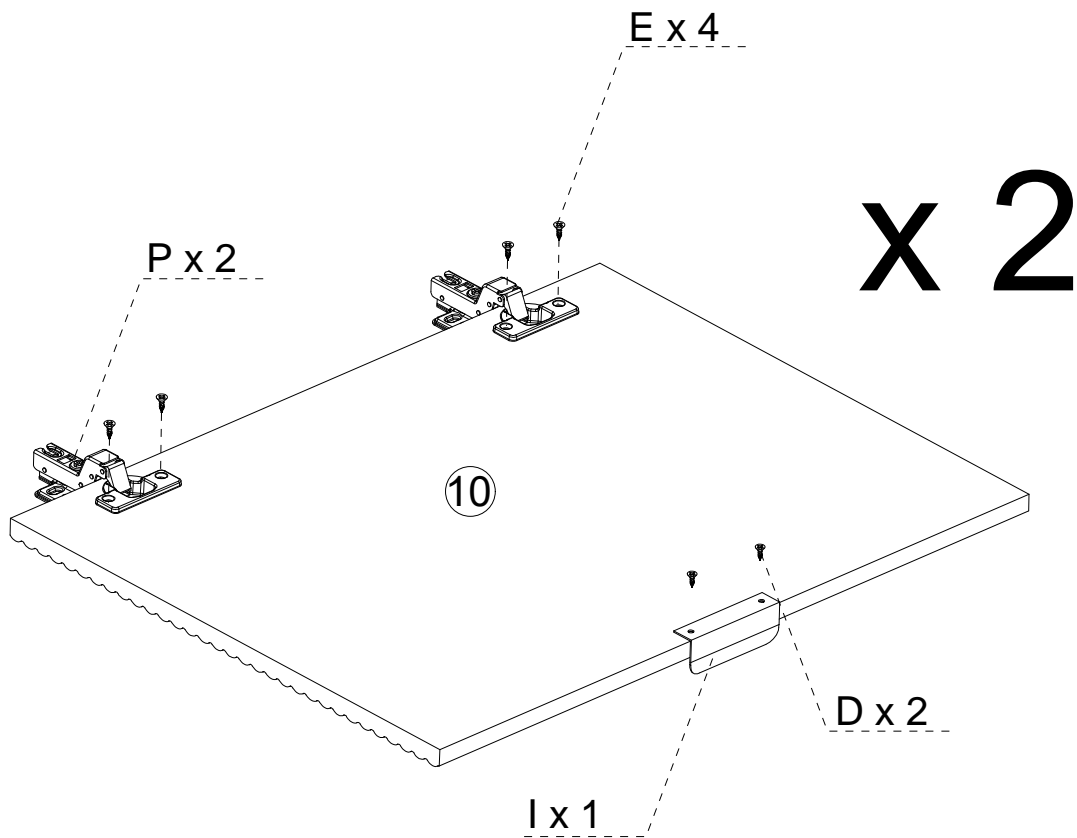
## 6. Assemble the leg to the frame.





<b>G</b>	
M6*15mm Screw	
16pcs	


<b>J</b>	
4mm Allen Key	
1pc	

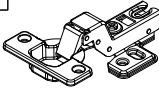
## 7. Attach parts to the boards.



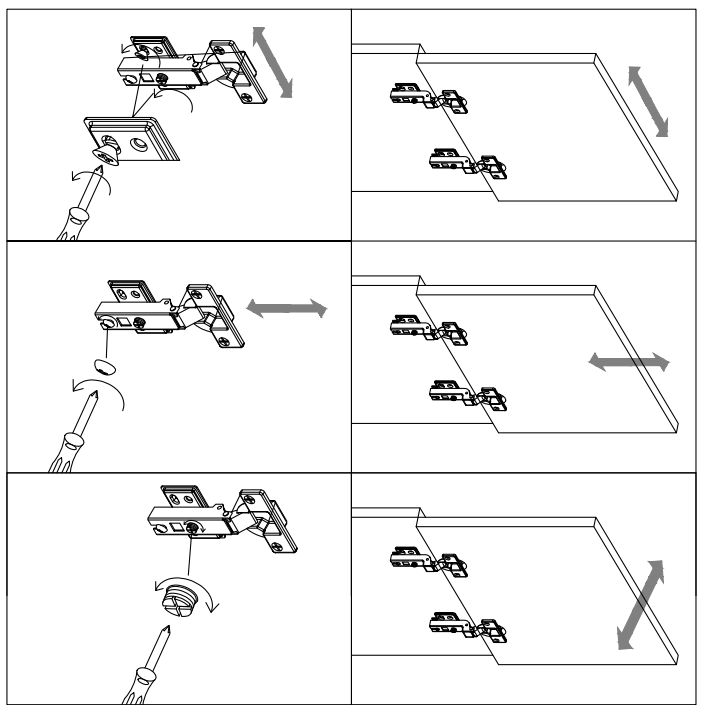
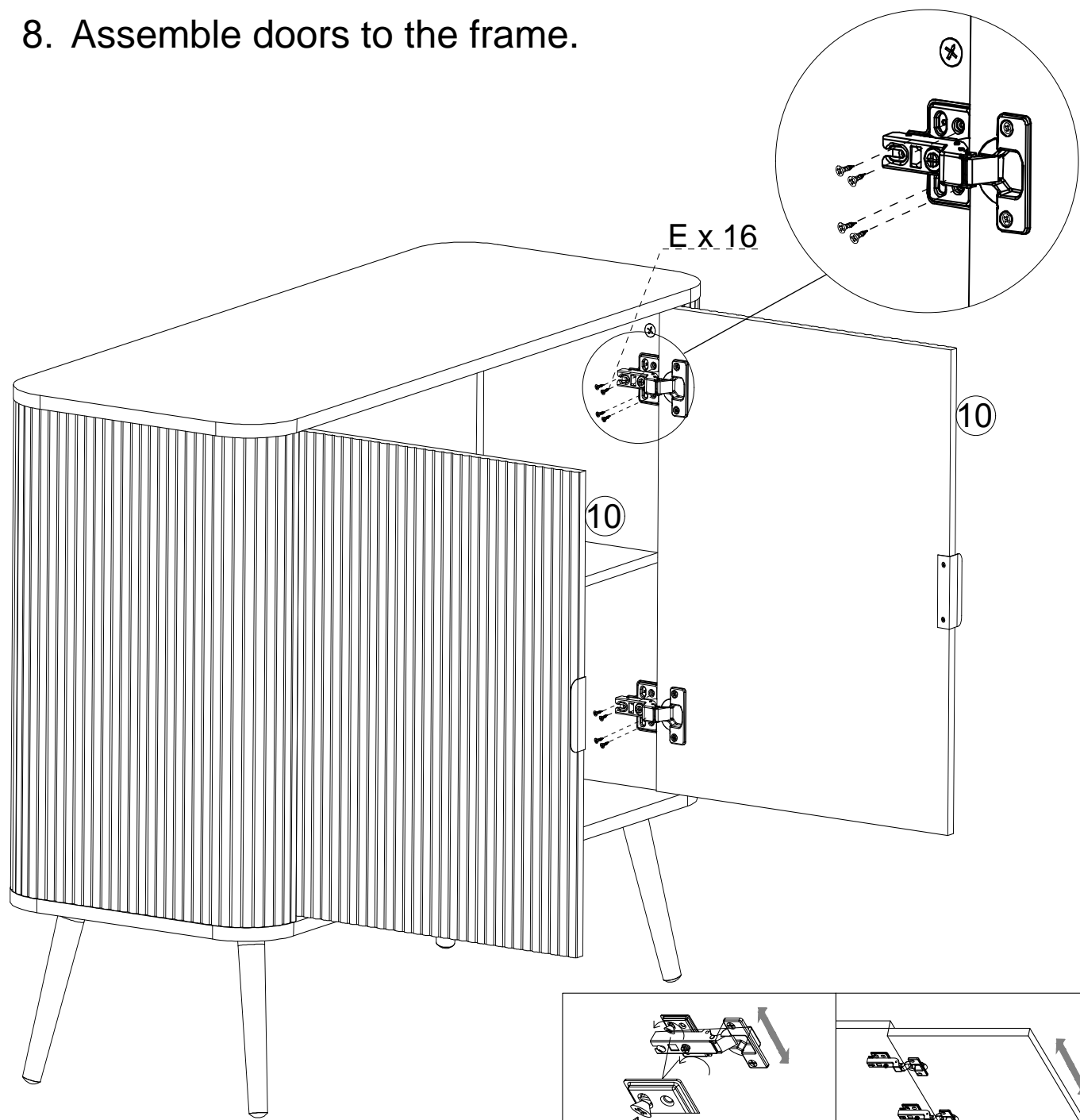
<b>D</b>	
M3*12mm Screw	
4pcs	


<b>E</b>	
M3.5*14mm Screw	
8pcs	

<b>I</b>	
Handle	
2pcs	

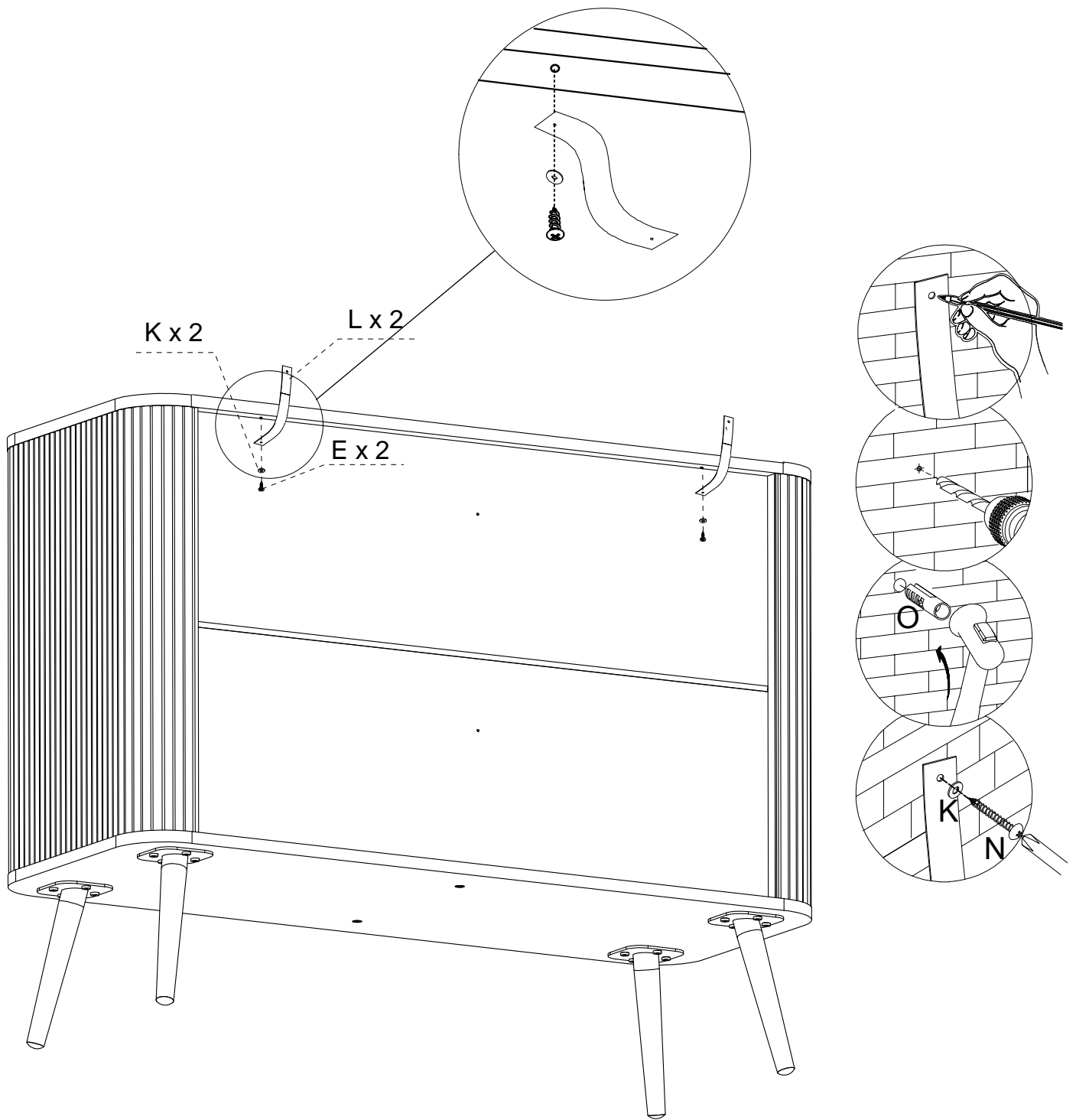
<b>P</b>	
Hinge	
4pcs	


# 8. Assemble doors to the frame.





<b>E</b>	
M3.5*14mm Screw	
16pcs	


# 9. Fix the Anti-tipping Belt to the wall




<b>E</b>	
M3.5*14mm Screw 2pcs	

<b>K</b>	
Washer 4pcs	

<b>L</b>	
Anti-tipping Belt 2pcs	

<b>N</b>	
M5*35mm Screw 2pcs	

<b>O</b>	
8mm Wall Plug 2pcs	