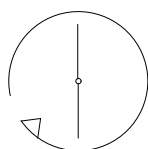
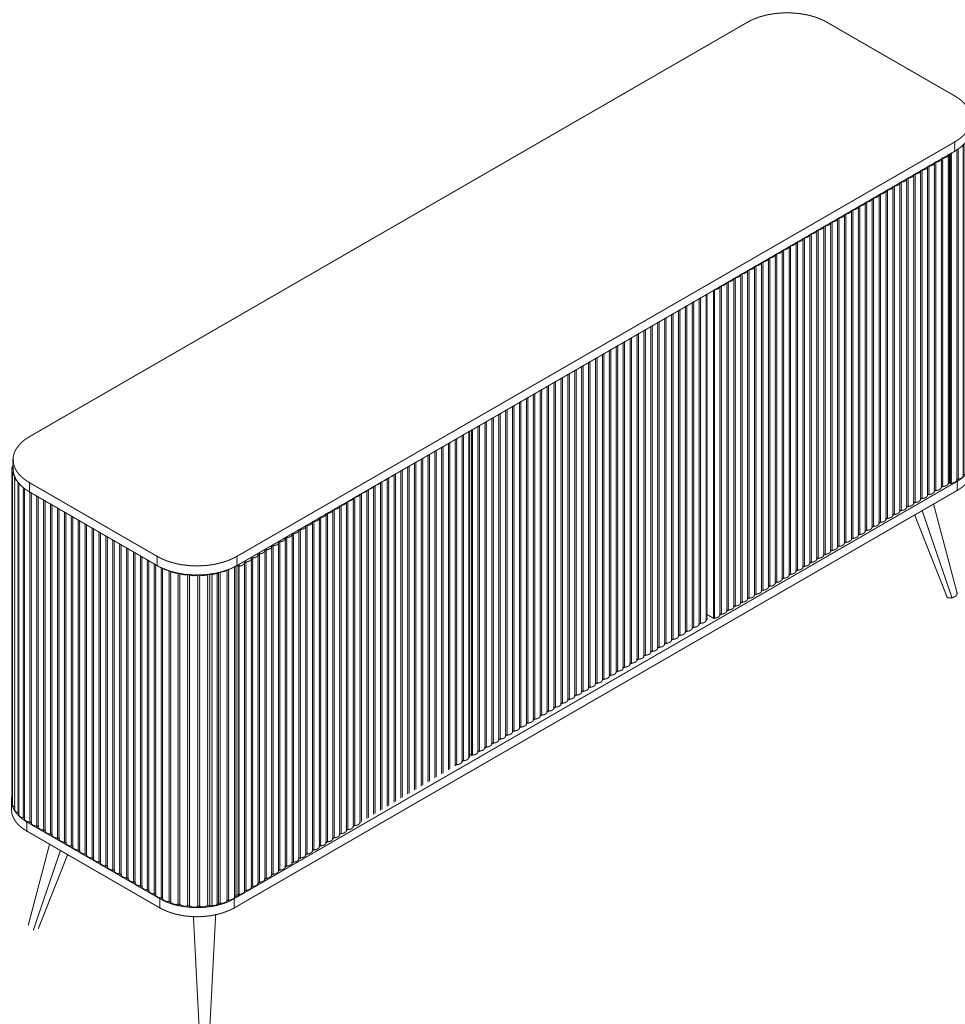


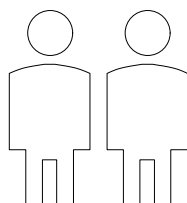
DUSK.COM
LIVING | BEDROOM | DINING

Range Name : Hattie
Box dimensions : 160x50.3x20.5cm

Hattie 3 Door Sideboard



Up to 60 minutes
assembly time



Two person
assembly

This product is intended for domestic use only, not for commercial purposes.

IMPORTANT

ASSEMBLY TIP

Before you begin, it's best to identify all of the parts and fittings to build your Willow Wardrobe frame. We advise laying these out on the floor to check you have everything, and to familiarise yourself with all of the parts and fittings before building.

TOP TIP

We recommend that you assemble the Willow Wardrobe in the room you'd like it to be located. This will help prevent any risk of damage to the frame whilst moving it.

SAFETY AND CARE

It's important to ensure children and animals are kept away from the assembly area, as there are small components used in this product which could present a choking hazard. All plastic and wrapping materials should also be kept away from children and animals to prevent any risk of suffocation.

HELP AND SUPPORT

Please contact our customer service team on 0113 519 0311 if you have any questions or issues with your purchase.

RECYCLING

Please ensure that packaging is disposed of in a safe and environmentally friendly way, and recycle where possible. Please keep your assembly instructions safe to refer back to in the future.

CARE AND MAINTENANCE:

1. Only clean using a damp cloth, do not use bleach or abrasive cleaners as they may damage the finish over time.
2. Do not use a very wet cloth or allow any liquid to contact with the veneer for a long period of time. Wipe any spillage immediately. Absorption can cause wood to warp or finishes to de-laminate.
3. Do not scrub or rub the surface when cleaning.
4. Do not drag the Willow Wardrobe when moving, lift it off the floor instead.
5. Use a placemat or a coaster when putting hot items (e.g. hot drinks and dishes) on the wood surface.
6. It is not recommended to place the item next to sources of heat such as radiators, fires or directly exposed to sunlight. This may cause the wood to crack, split or fade due to the heat and humidity.
7. Wood will mellow and change colour over time, we recommend that ornaments and items placed on the surface to be moved regularly to prevent uneven mellowing.
8. Regularly check all fixings to ensure none have come loose. Re-tighten if necessary.
9. Avoid sharp items such as a screwdriver or any pointy tools.
10. Dispose of all packaging carefully and responsibly - recycle where possible.

Parts list

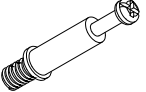
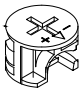
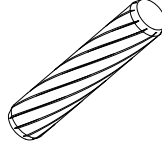

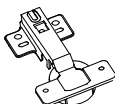
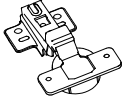
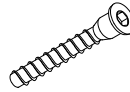









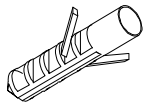

Before you begin building your Willow Wardrobe, please take a moment to read through the instructions and make sure that you have all the relevant parts listed on the parts check list.

Part Number	Part Description	Quantity
①	Leg	4pcs
②	Support Leg	2pcs
③	Top Panel	1pc
④	Bottom Panel	1pc
⑤	Left Side Panel	1pc
⑥	Right Side Panel	1pc
⑦	Back Panel	2pcs

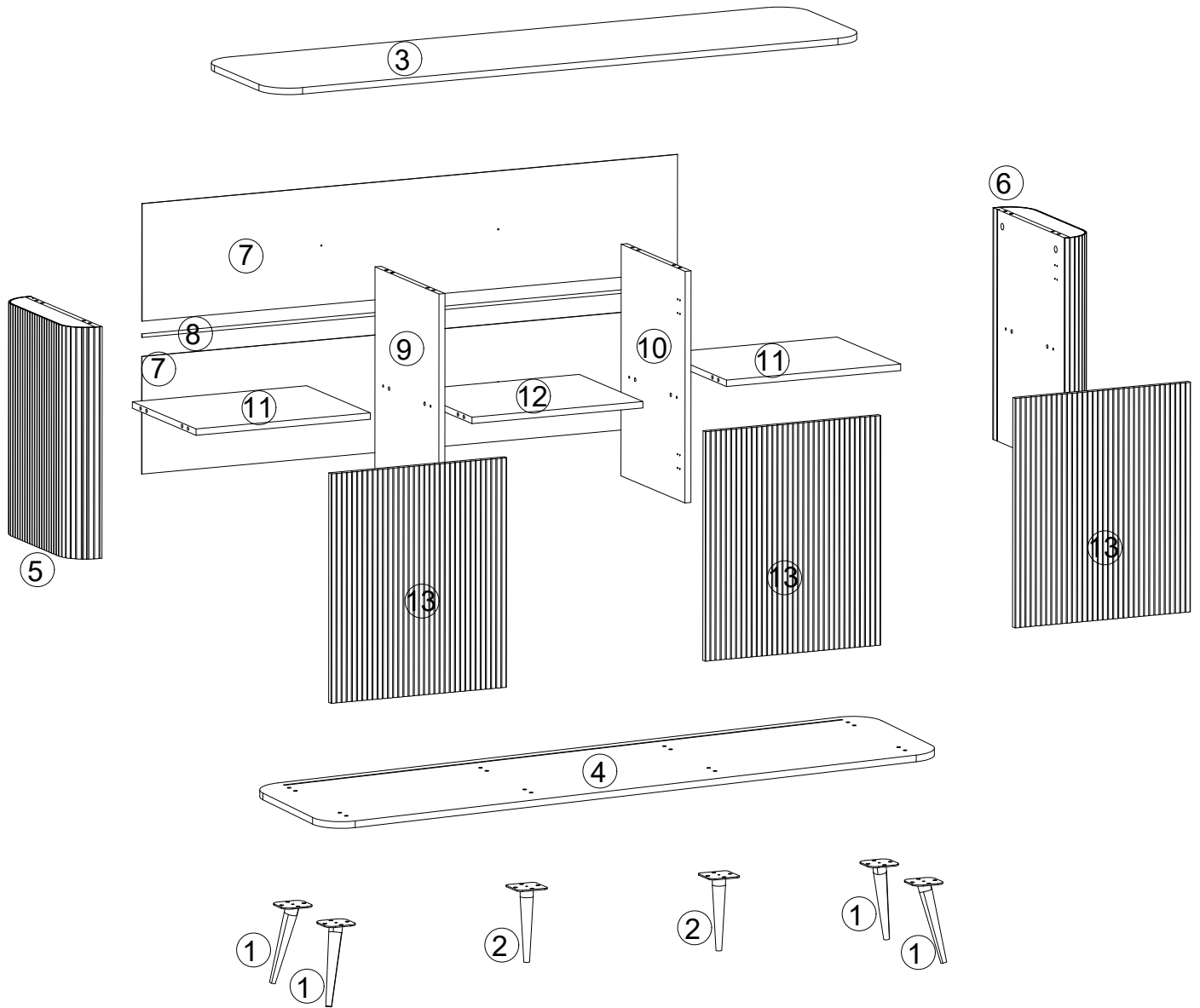
Part Number	Part Description	Quantity
⑧	Plastic Slot	1pc
⑨	Left Middle Panel	1pc
⑩	Right Middle Panel	1pc
⑪	Side Shelf	2pcs
⑫	Middle Shelf	1pc
⑬	Door Panel	3pcs

Fittings

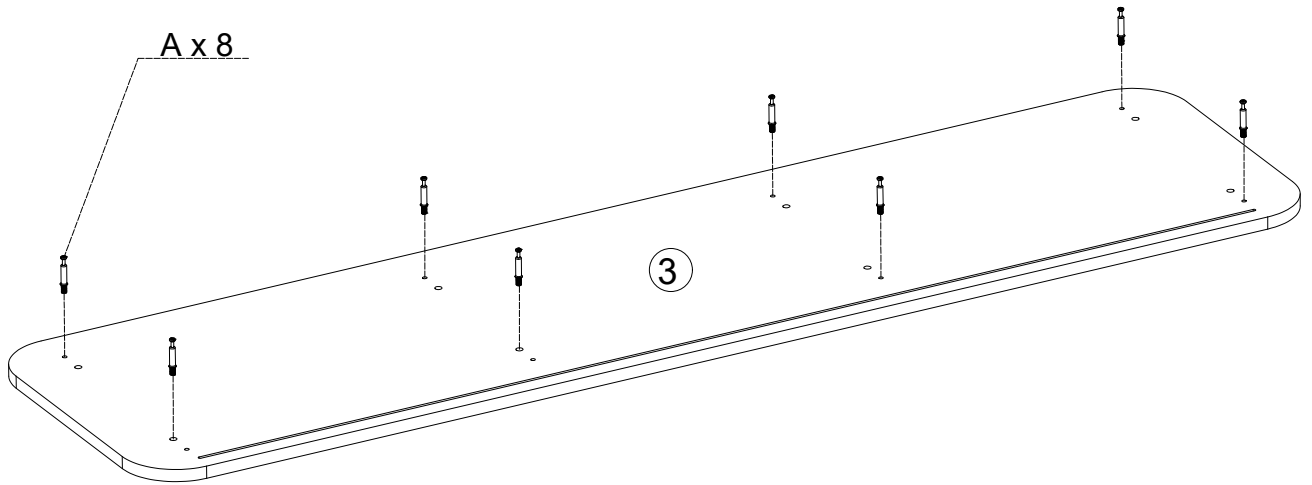
Please check you have all the fittings listed below with your product.


<p>A</p>  <p>M6.3*45mm Bolt 20pcs+1pc extra</p>	<p>B</p>  <p>Ø15x12mm Cam Lock 20pcs+1pc extra</p>	<p>C</p>  <p>Ø8x30mm Dowel 28pcs+1pc extra</p>	<p>D</p>  <p>M3.5*14mm screw 38pcs+1pc extra</p>
<p>E</p>  <p>Small hinge 2pcs</p>	<p>F</p>  <p>Big Hinge 4pcs</p>	<p>G</p>  <p>M7*38 screw 8pcs+1pc extra</p>	<p>H</p>  <p>M3.5*14mm Screw 4pcs</p>
<p>I</p>  <p>M6*15mm Screw 24pcs+1pc extra</p>	<p>J</p>  <p>4mm Allen Key 1pc</p>	<p>K</p>  <p>Handle 3pcs</p>	<p>L</p>  <p>M3.0*12 screw 6pcs</p>
<p>M</p>  <p>Cover 8pcs+1pc extra</p>	<p>N</p>  <p>Anti-tipping Belt 2pcs</p>	<p>O</p>  <p>Washer 4pcs</p>	<p>P</p>  <p>M5*30mm Screw 2pcs</p>
<p>Q</p>  <p>Ø8x30mm Wall Plug 2pcs</p>	<p>R</p>  <p>Adjustable Feet 2pcs</p>		

Parts list

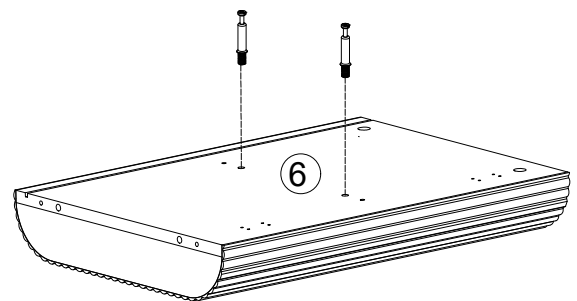
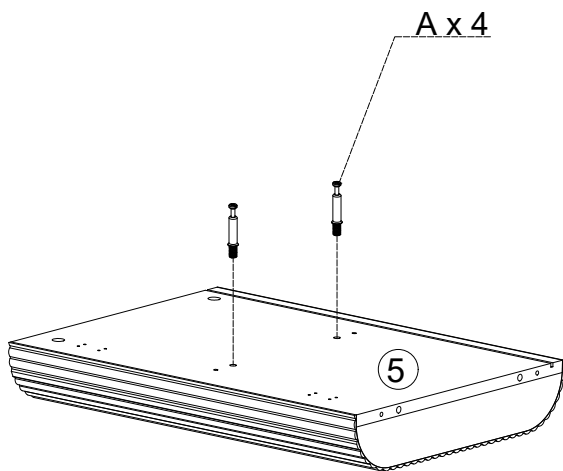



1. Attach parts to the boards.



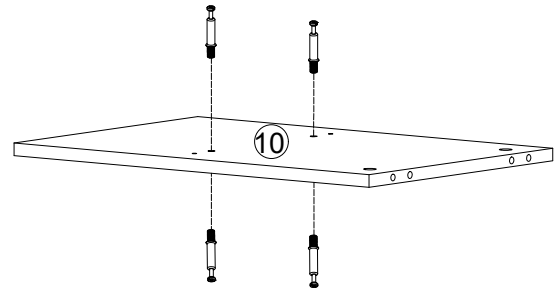
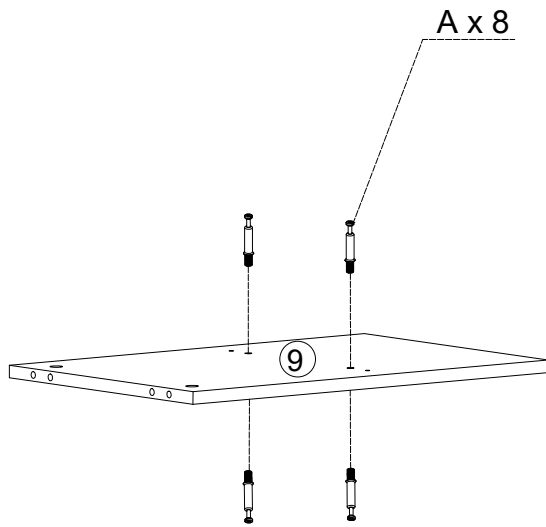
A	
M6.3*45mm Bolt	
8pcs	


2. Attach parts to the boards.



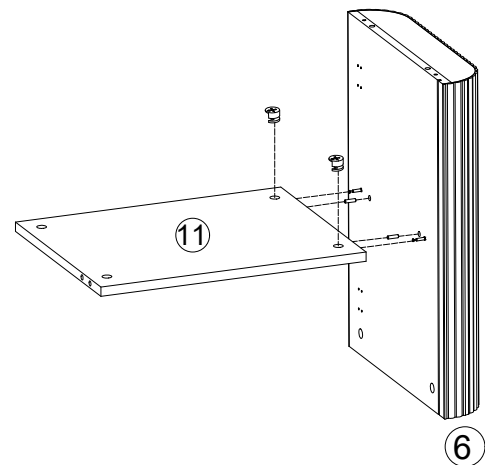
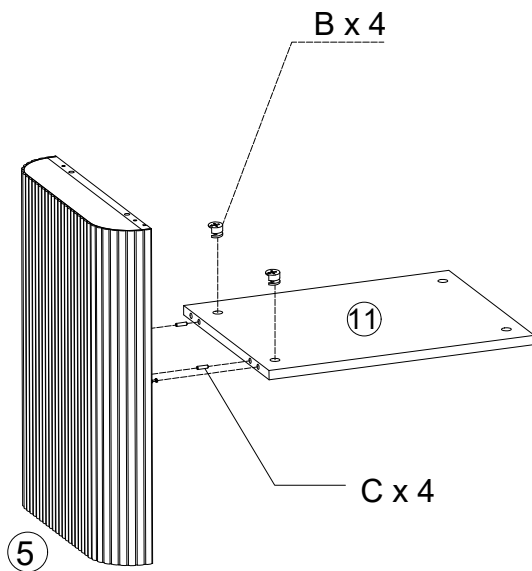
A	
M6.3*45mm Bolt	
4pcs	


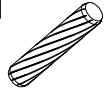
3. Attach parts to the boards.



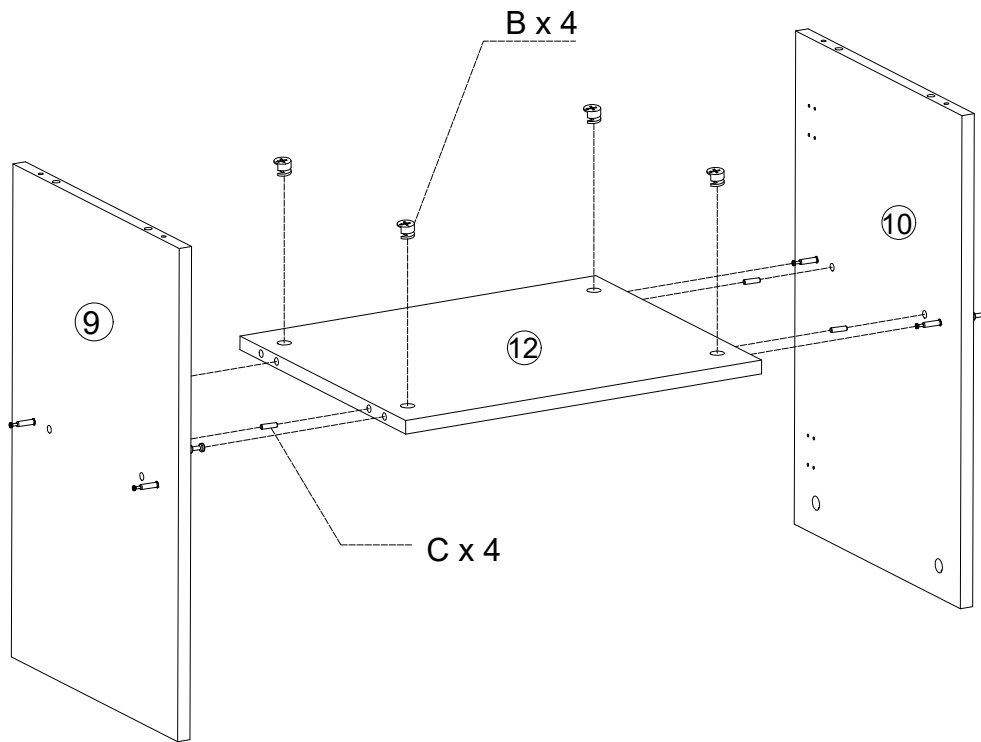
A	
M6.3*45mm Bolt	
8pcs	



4. Attach parts to the boards.



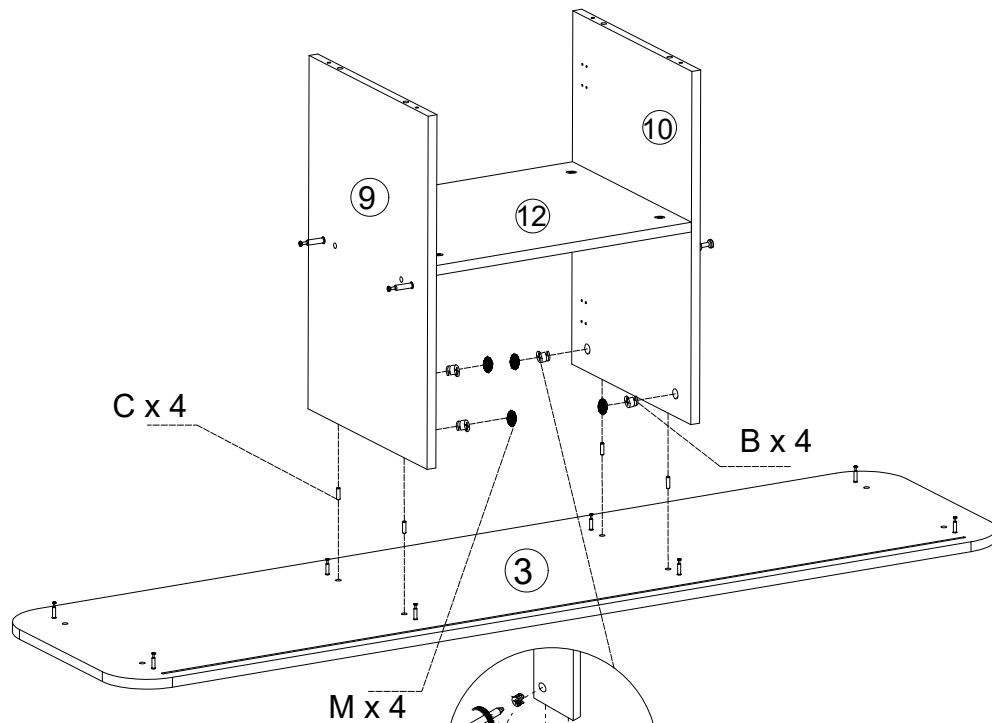
B		C	
Ø15x12mm Cam Lock		Ø8x30mm Dowel	
4pcs		4pcs	




5. Attach parts to the boards.



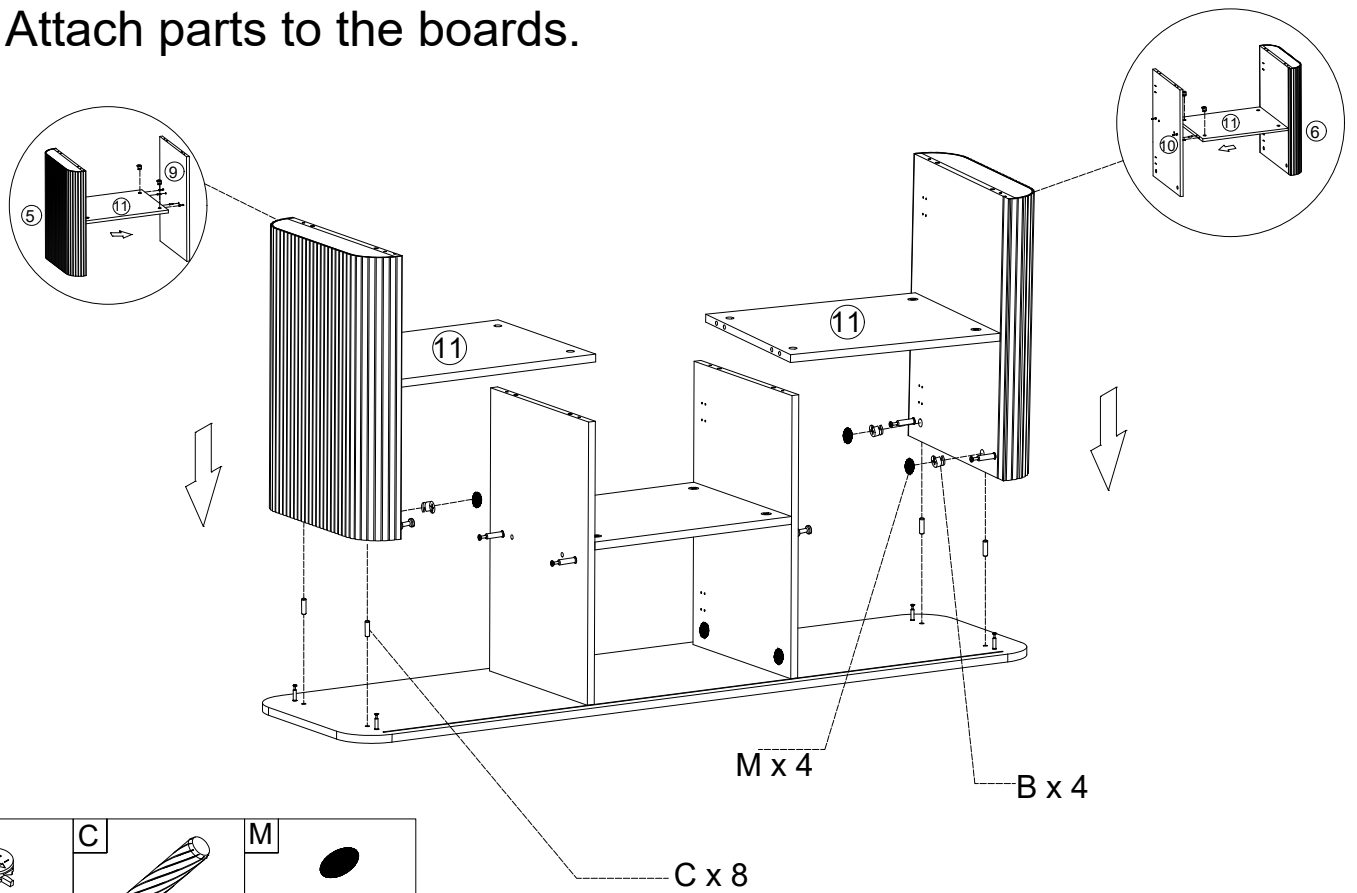
B		C	
Ø15x12mm Cam Lock		Ø8x30mm Dowel	
4pcs		4pcs	

6. Attach parts to the boards.

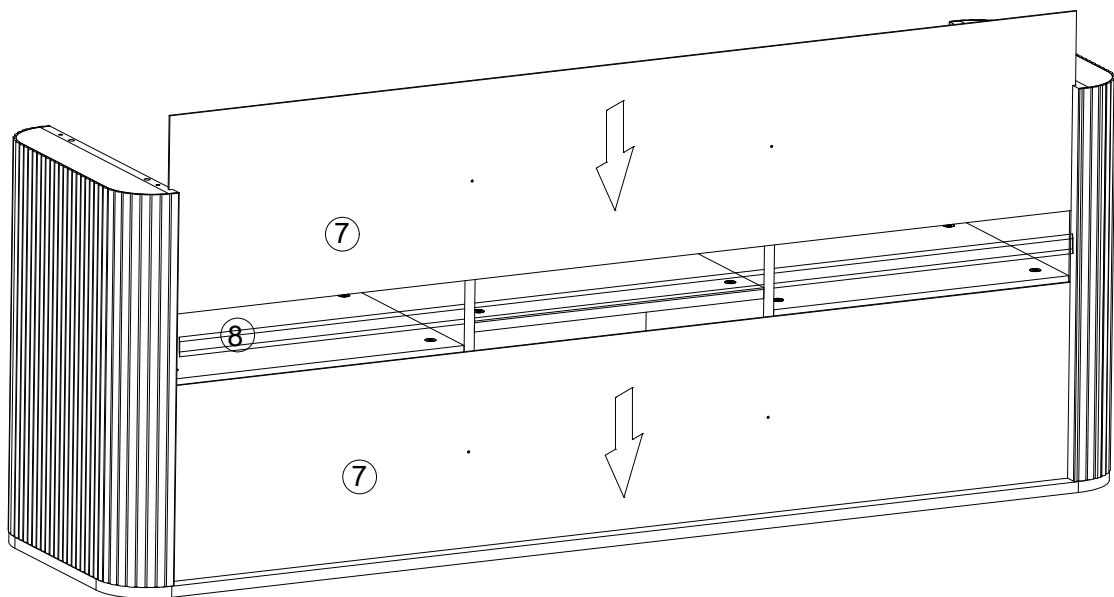


B		C		M	
Ø15x12mm Cam Lock		Ø8x30mm Dowel		Cover	
4pcs		4pcs		4pcs	

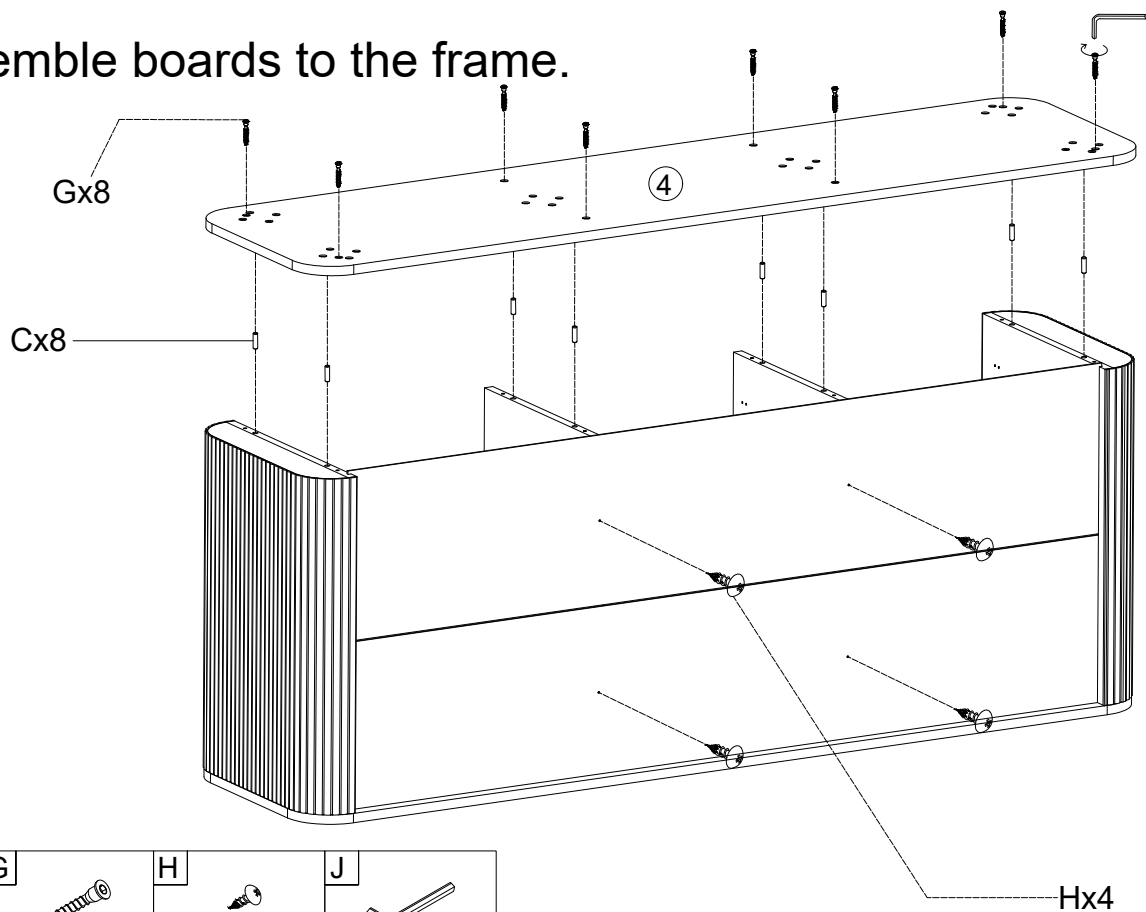
7. Attach parts to the boards.



8. Assemble boards to the frame.

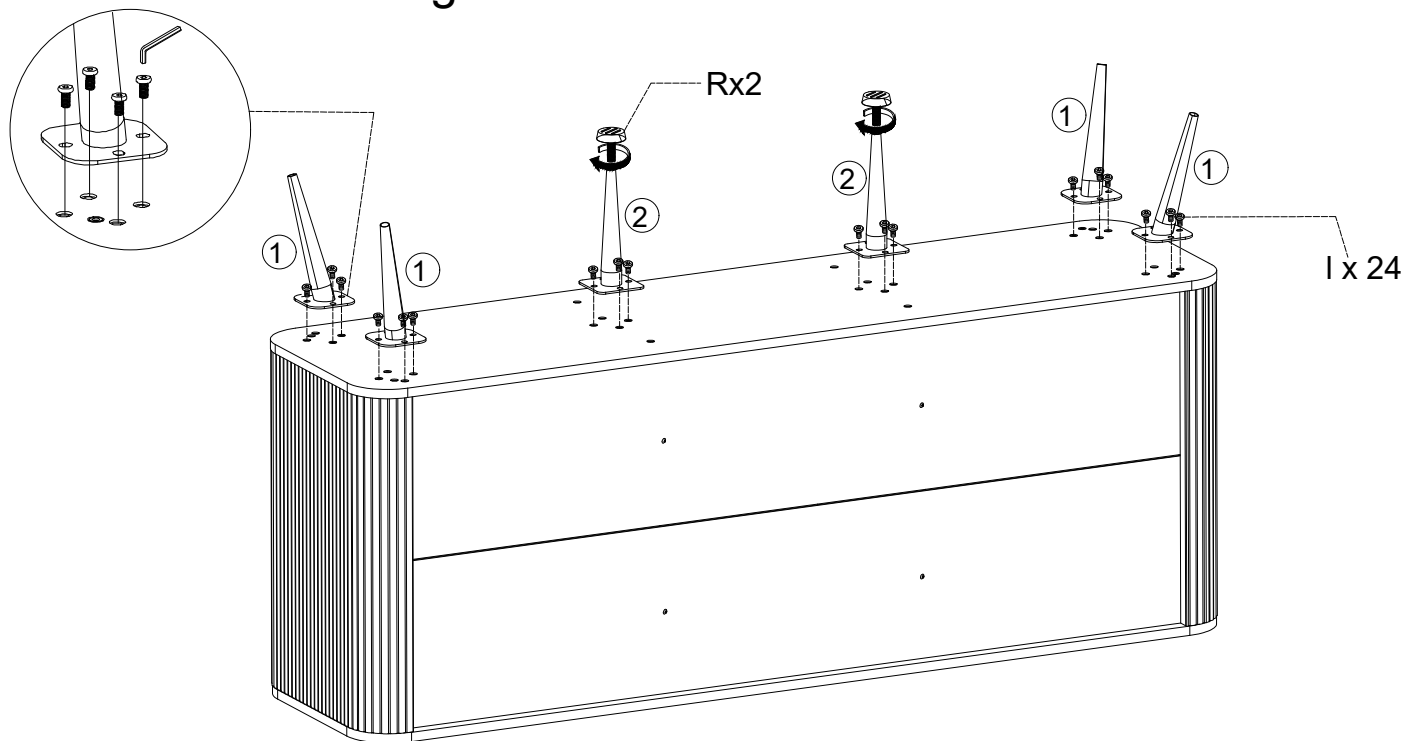


9. Assemble boards to the frame.



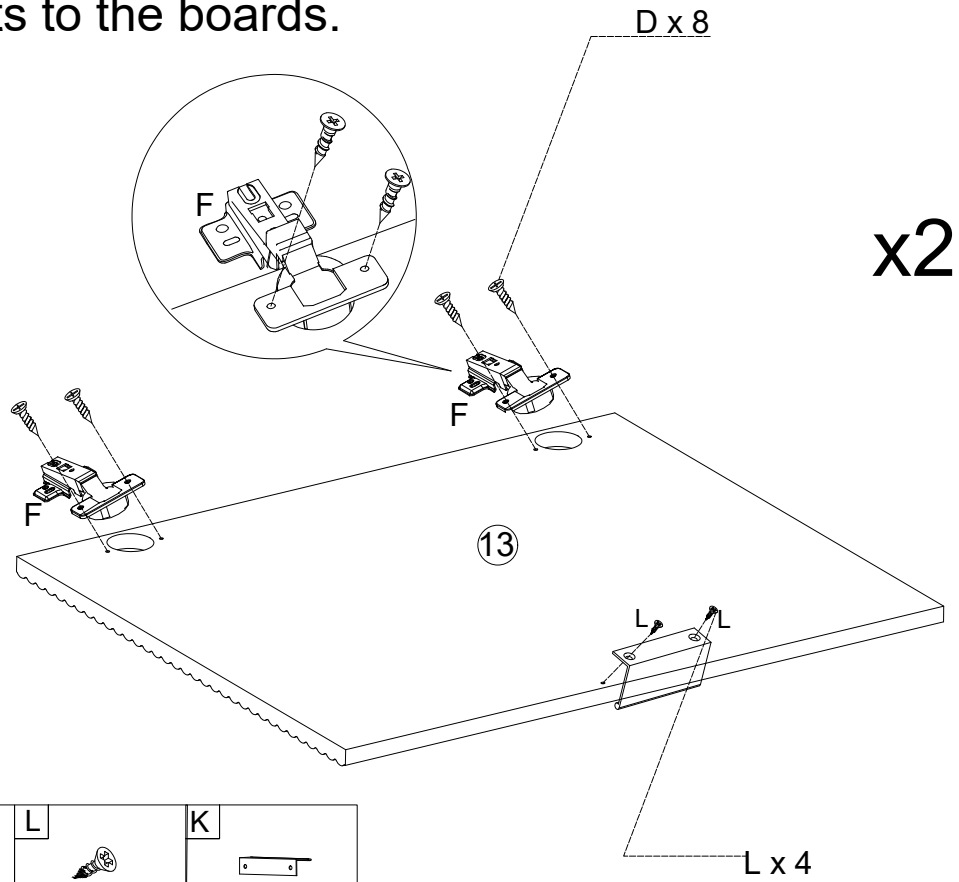
C		G		H		J	
	Ø8x30mm Dowel		M7*38 screw		M3.5*14mm Screw		4mm Allen Key
	8pcs		8pcs		4pcs		1pc

10. Assemble the leg to the frame.



I		R		J	
	M6*15mm Screw		Adjustable Feet		4mm Allen Key
	24pcs		2pcs		1pc

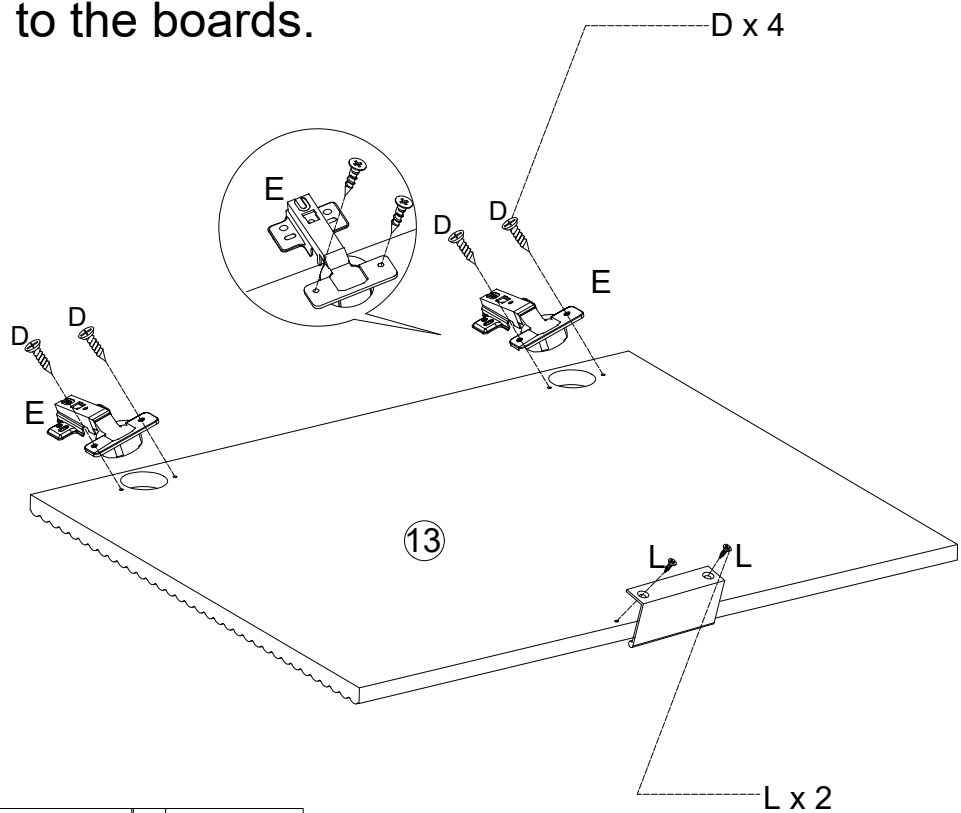
11. Attach parts to the boards.



x2

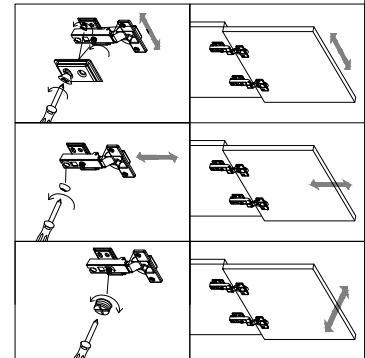
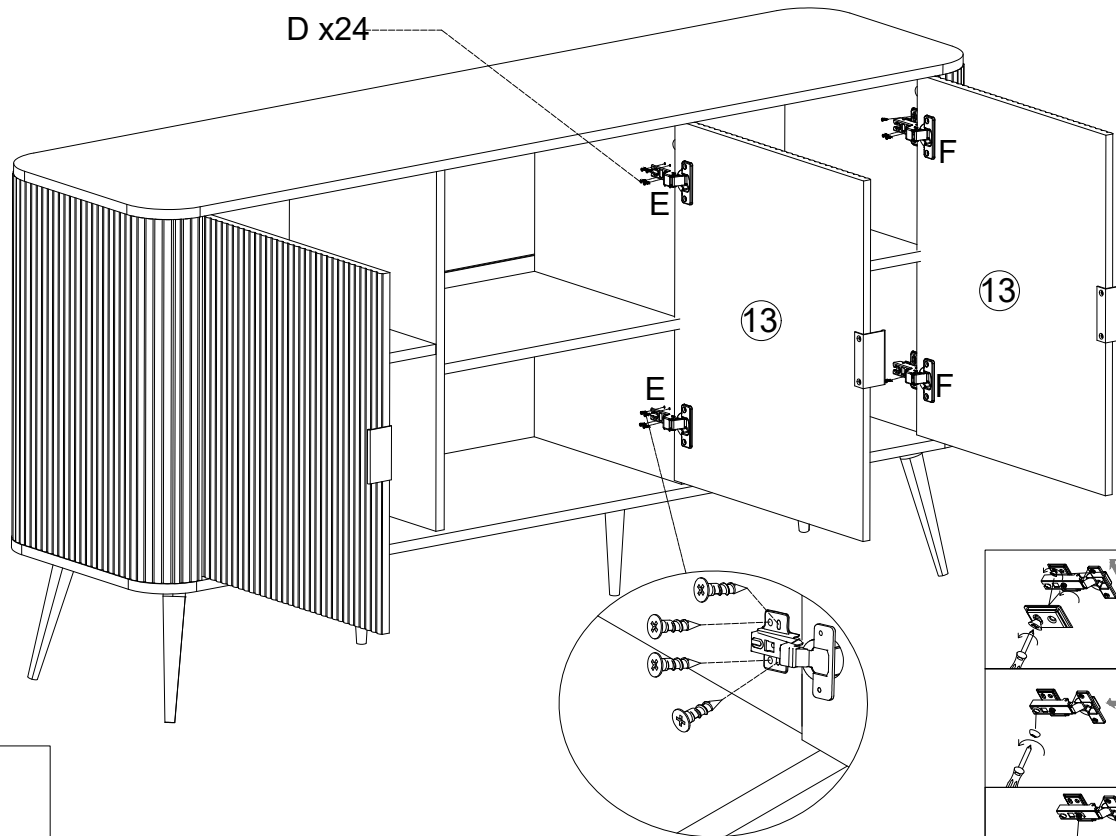
D	F	L	K
M3.5*14mm screw 8pcs	Big Hinge 4pcs	M3.0*12 screw 4pcs	Handle 2pcs

12. Attach parts to the boards.



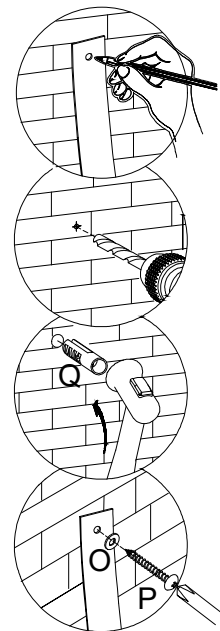
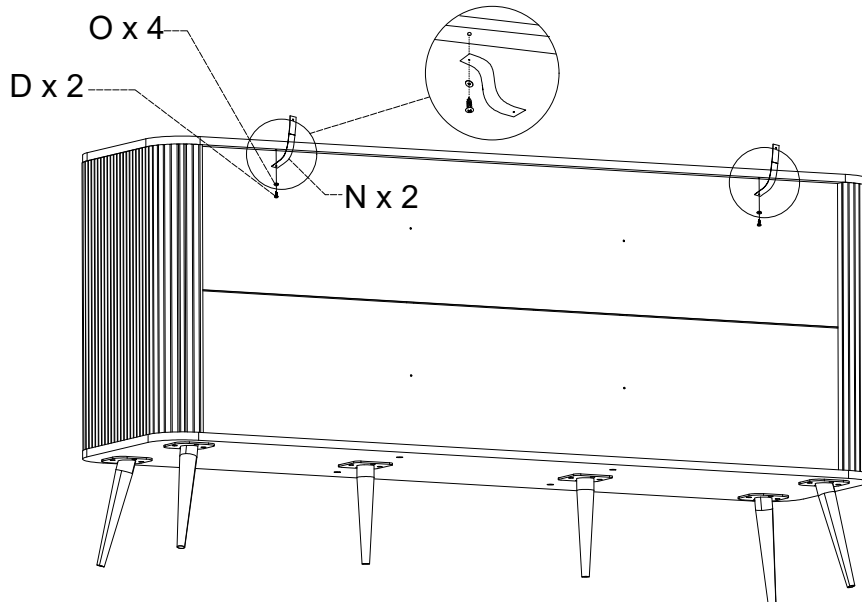
D	E	L	K
M3.5*14mm screw 4pcs	Small hinge 2pcs	M3.0*12 screw 2pcs	Handle 1pcs

13. Assemble doors to the frame.



D	
M3.5*14mm screw	
24pcs	

14. Fix the Anti-tipping Belt to the wall



D	N	O	P	Q
M3.5*14mm screw	Anti-tipping Belt	Washer	M5*30mm Screw	Ø8x30mm Wall Plug
2pcs	2pcs	4pcs	2pcs	2pcs