

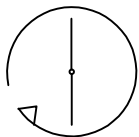
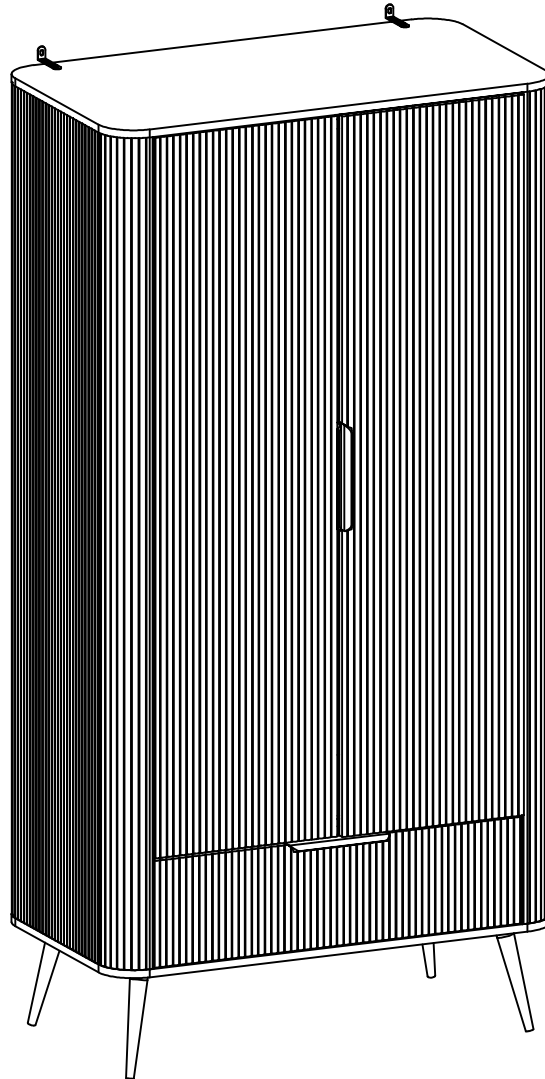
DUSK.COM

LIVING | BEDROOM | DINING

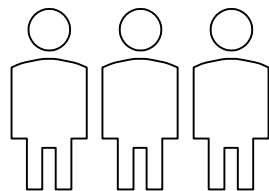
Range Name :Hattie

Box dimensions : 171x58.5x23cm
110x57x13cm

Hattie 2 Door Wardrobe



Up to 60 minutes
assembly time



three person
assembly

This product is intended for domestic use only, not for commercial purposes.

P-1-17

IMPORTANT

ASSEMBLY TIP

Before you begin, it's best to identify all of the parts and fittings to build your Willow Wardrobe frame. We advise laying these out on the floor to check you have everything, and to familiarise yourself with all of the parts and fittings before building.

TOP TIP

We recommend that you assemble the Willow Wardrobe in the room you'd like it to be located. This will help prevent any risk of damage to the frame whilst moving it.

SAFETY AND CARE

It's important to ensure children and animals are kept away from the assembly area, as there are small components used in this product which could present a choking hazard. All plastic and wrapping materials should also be kept away from children and animals to prevent any risk of suffocation.

HELP AND SUPPORT

Please contact our customer service team on 0113 519 0311 if you have any questions or issues with your purchase.

RECYCLING

Please ensure that packaging is disposed of in a safe and environmentally friendly way, and recycle where possible. Please keep your assembly instructions safe to refer back to in the future.

CARE AND MAINTENANCE:

1. Only clean using a damp cloth, do not use bleach or abrasive cleaners as they may damage the finish over time.
2. Do not use a very wet cloth or allow any liquid to contact with the veneer for a long period of time. Wipe any spillage immediately. Absorption can cause wood to warp or finishes to de-laminate.
3. Do not scrub or rub the surface when cleaning.
4. Do not drag the Willow Wardrobe when moving, lift it off the floor instead.
5. Use a placemat or a coaster when putting hot items (e.g. hot drinks and dishes) on the wood surface.
6. It is not recommended to place the item next to sources of heat such as radiators, fires or directly exposed to sunlight. This may cause the wood to crack, split or fade due to the heat and humidity.
7. Wood will mellow and change colour over time, we recommend that ornaments and items placed on the surface to be moved regularly to prevent uneven mellowing.
8. Regularly check all fixings to ensure none have come loose. Re-tighten if necessary.
9. Avoid sharp items such as a screwdriver or any pointy tools.
10. Dispose of all packaging carefully and responsibly - recycle where possible.

Parts list

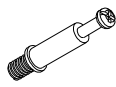










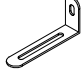



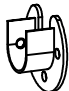



Before you begin building your Willow Wardrobe, please take a moment to read through the instructions and make sure that you have all the relevant parts listed on the parts check list.

| Part Number | Part Description | Quantity |
|-------------|------------------|----------|
| ① | Leg | 4pcs |
| ② | Bottom Panel | 1pc |
| ③ | Left side Panel | 1pc |
| ④ | Right side Plate | 1pc |
| ⑤ | Shelf Panel | 1pc |
| ⑥ | Top Support | 1pc |
| ⑦ | Centre Support | 1pc |
| ⑧ | Bottom Support | 1pc |
| ⑨ | Back Panel | 2pcs |
| ⑩ | Plastic Slot | 1pc |

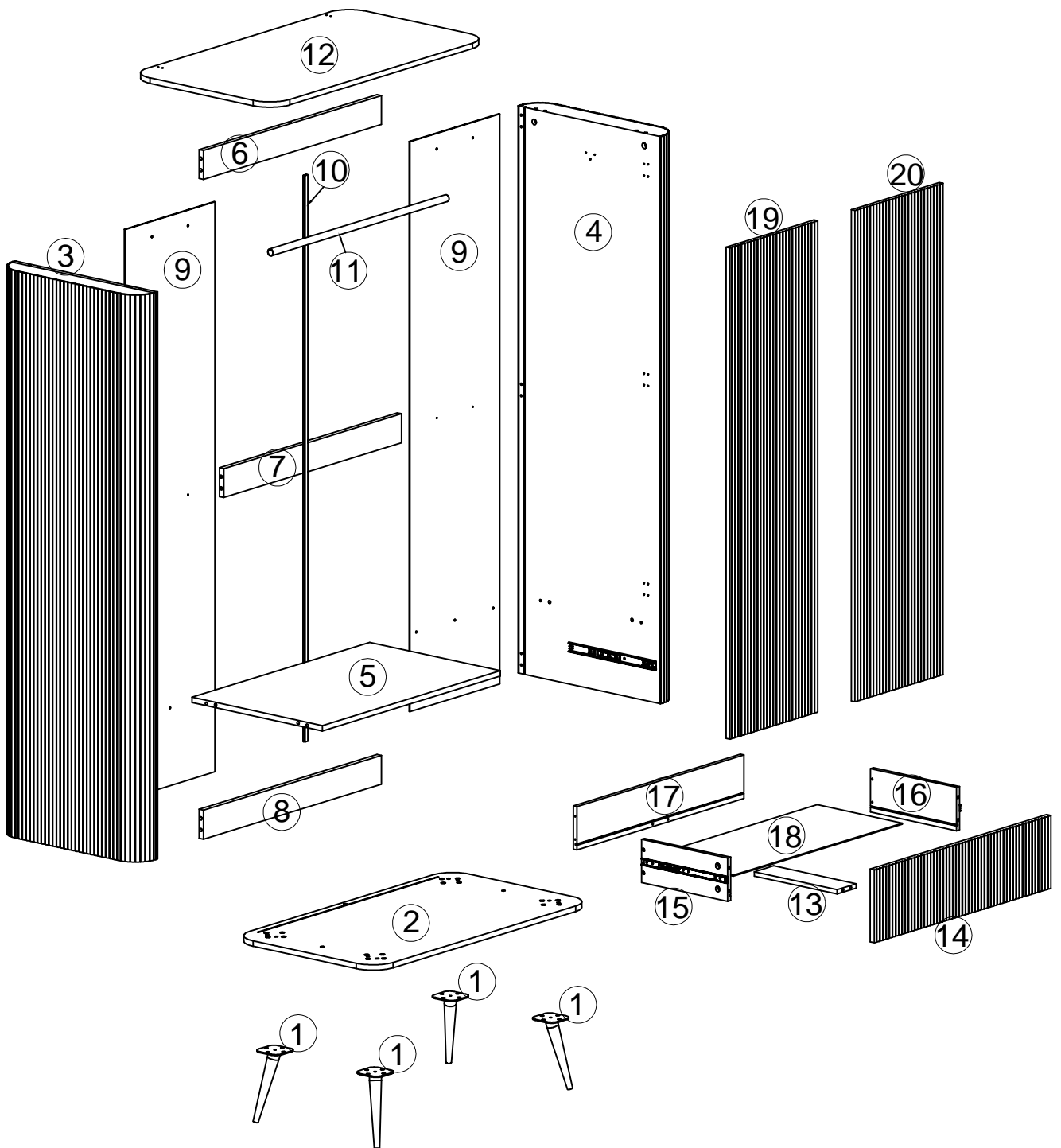
| Part Number | Part Description | Quantity |
|-------------|------------------|----------|
| ⑪ | Clothes Pole | 2pcs |
| ⑫ | TopPanel | 1pc |
| ⑬ | Drawer Support | 2pcs |
| ⑭ | Drawer Front | 1pc |
| ⑮ | Drawer Left | 1pc |
| ⑯ | Drawer Right | 1pc |
| ⑰ | Drawer Back | 1pc |
| ⑱ | Drawer Bottom | 1pc |
| ⑲ | Left Door Panel | 1pc |
| ⑳ | Right Door Panel | 1pc |

Fittings

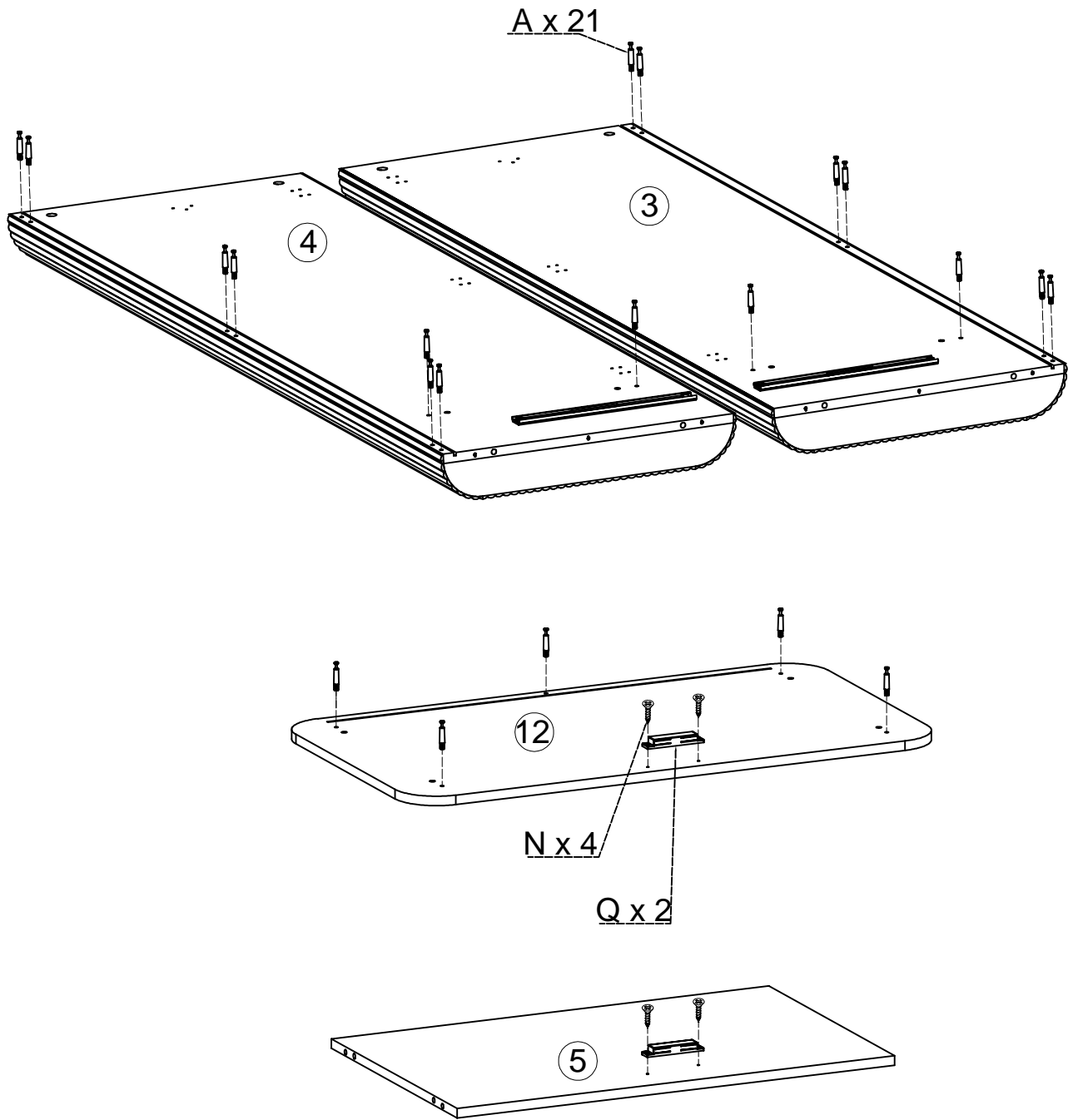
Please check you have all the fittings listed below with your product.

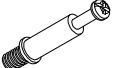


| | | | | |
|---|---|--|--|---|
| <p>A</p>  <p>M6.3*45mm Bolt 27pcs+1pc extra</p> | <p>B</p>  <p>Ø15*10mm CamLock 27pcs+1pc extra</p> | <p>C</p>  <p>Ø8*30mm Dowel 12pcs+1pc extra</p> | <p>D</p>  <p>M3*12mm Screw 16pcs+1pc extra</p> | <p>E</p>  <p>M4*35mm Screw 6pcs</p> |
| <p>F</p>  <p>M7*38mm Screw 7pcs</p> | <p>G</p>  <p>M6*15mm Screw 16pcs+1pc extra</p> | <p>H</p>  <p>Cover 8pcs+1pc extra</p> | <p>I</p>  <p>Handle 3pcs</p> | <p>J</p>  <p>4mm Allen Key 1pc</p> |
| <p>K</p>  <p>M4*14mm Screw 18pcs+1pc extra</p> | <p>L</p>  <p>Wall Bracket 2pcs</p> | <p>M</p>  <p>M5*35mm Screw 2pcs</p> | <p>N</p>  <p>M3.5*14mm Screw 40pcs+1pc extra</p> | <p>O</p>  <p>8mm Wall plug 2pcs</p> |
| <p>P</p>  <p>Clothes Pole Holder 2pcs</p> | <p>Q</p>  <p>Door Sucker 2pcs</p> | <p>R</p>  <p>Metal Sheet 4pcs</p> | <p>S</p>  <p>Hinge 6pcs</p> | |

Parts list

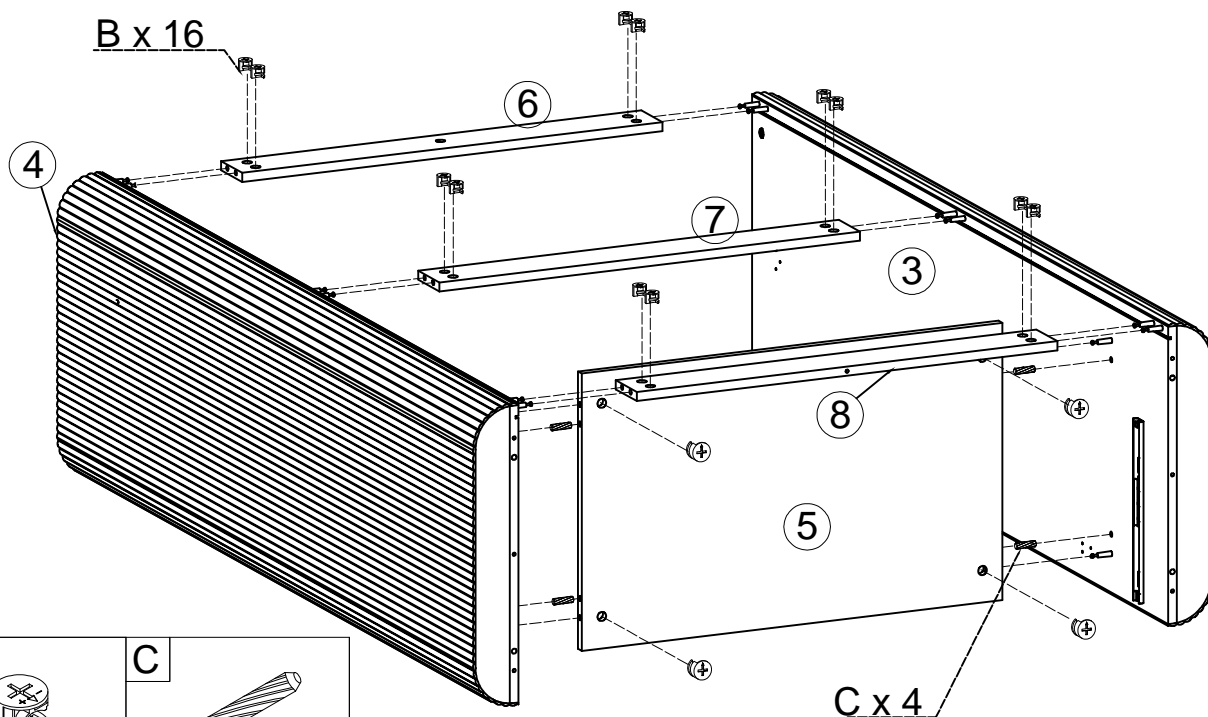




1.Attach parts to the boards.



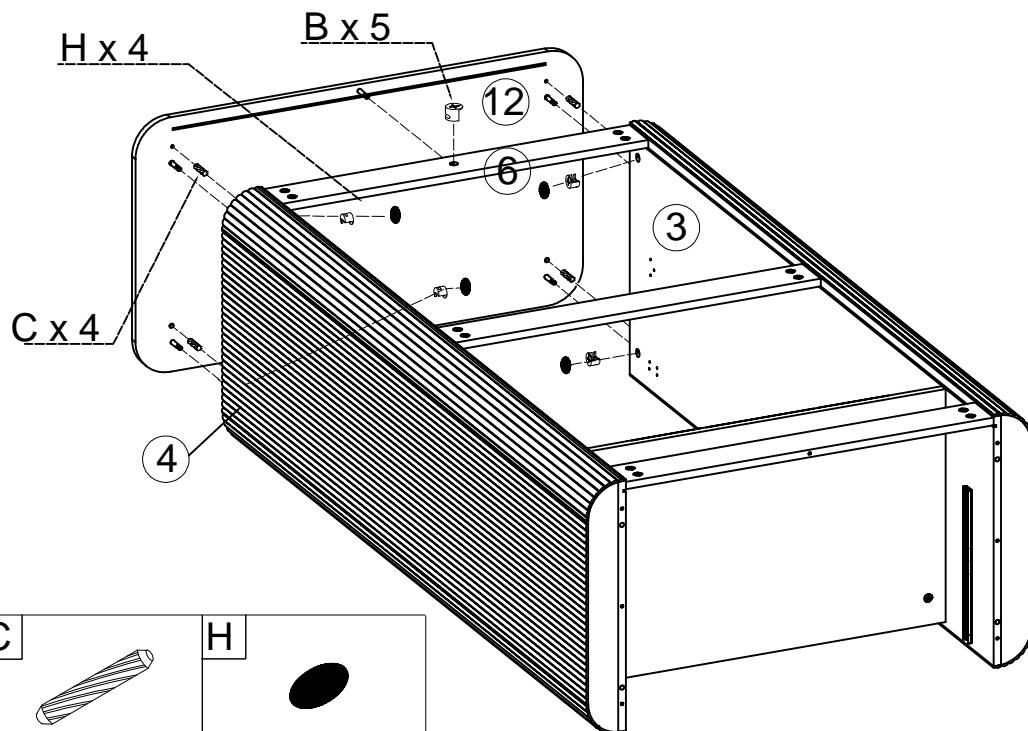
| A | N | Q |
|---|---|---|
|  |  |  |
| M6.3*45mm Bolt 21pcs | M3.5*14mm Screw 4pcs | Door Sucker 2pcs |




2. Attach parts to the boards.



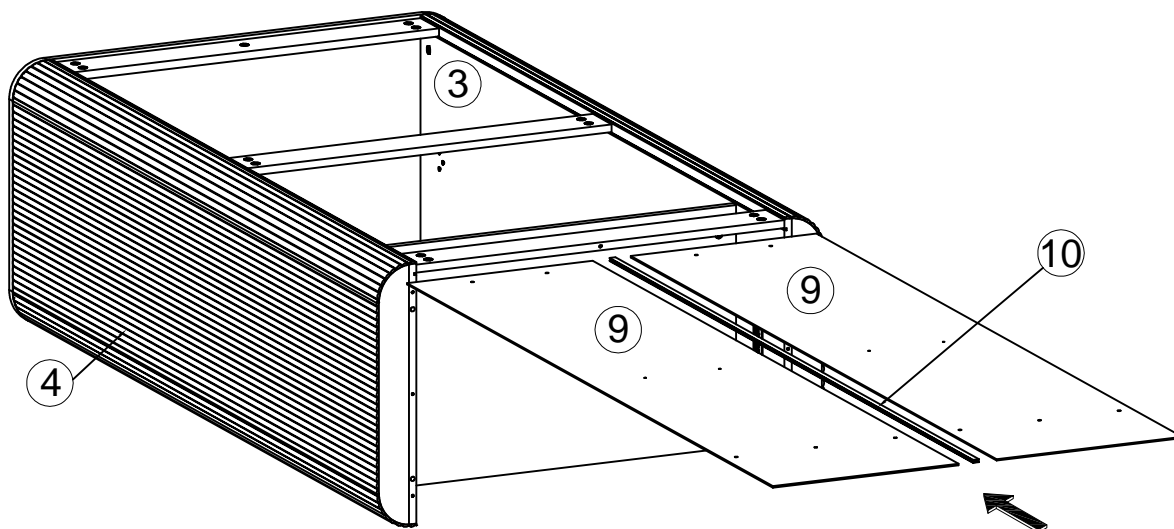
| | | | |
|----------|---|----------|---|
| B |  | C |  |
| | Ø15*10mm CamLock | | Ø8*30mm Dowel |
| | 16pcs | | 4pcs |

3. Assemble the top panel to the frame.

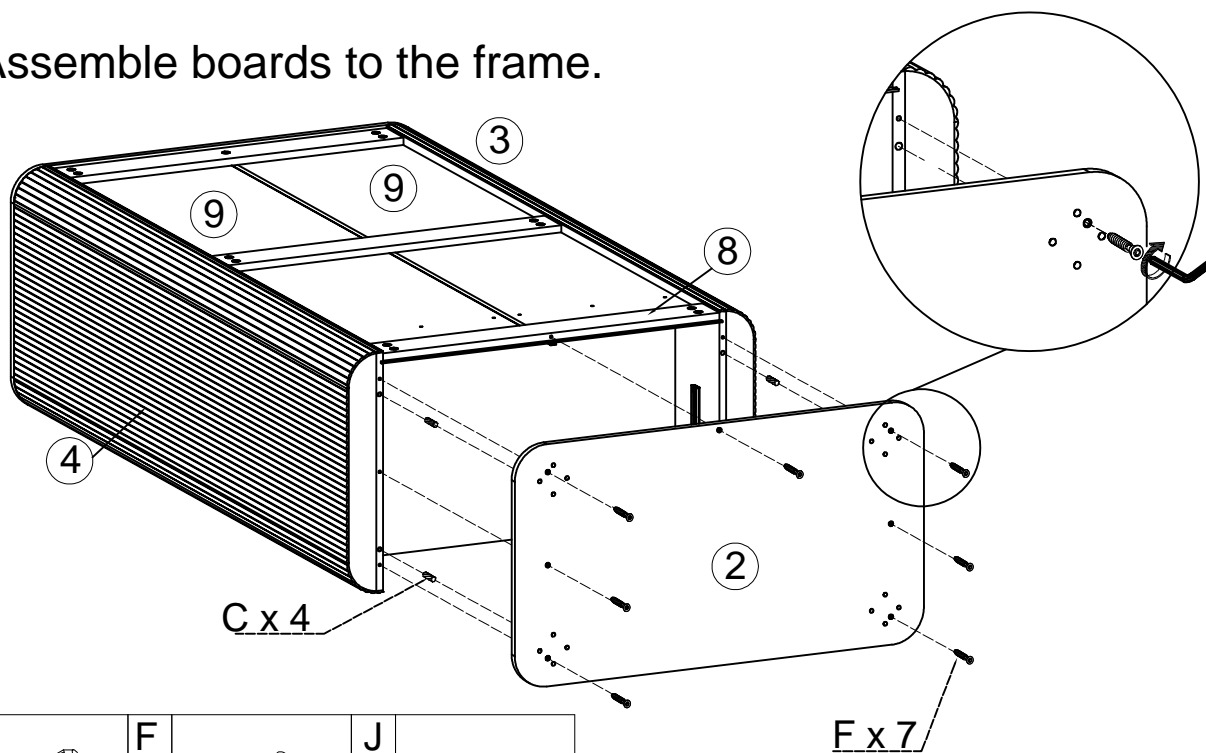





| | | | | | |
|----------|---|----------|---|----------|---|
| B |  | C |  | H |  |
| | Ø15*10mm CamLock | | Ø8*30mm Dowel | | Cover |
| | 5pcs | | 4pcs | | 4pcs |

4. Assemble boards to the frame.

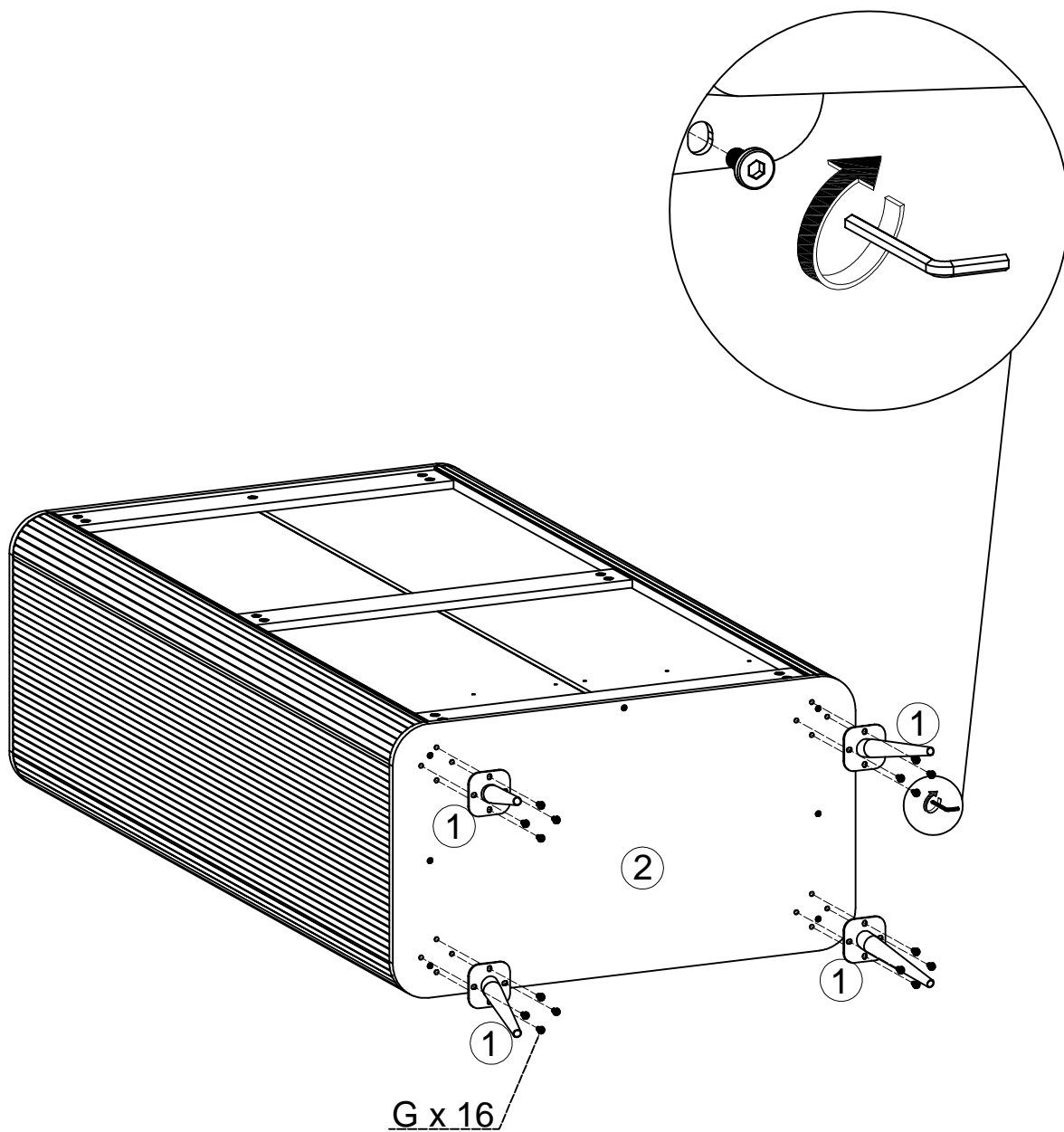




5. Assemble boards to the frame.



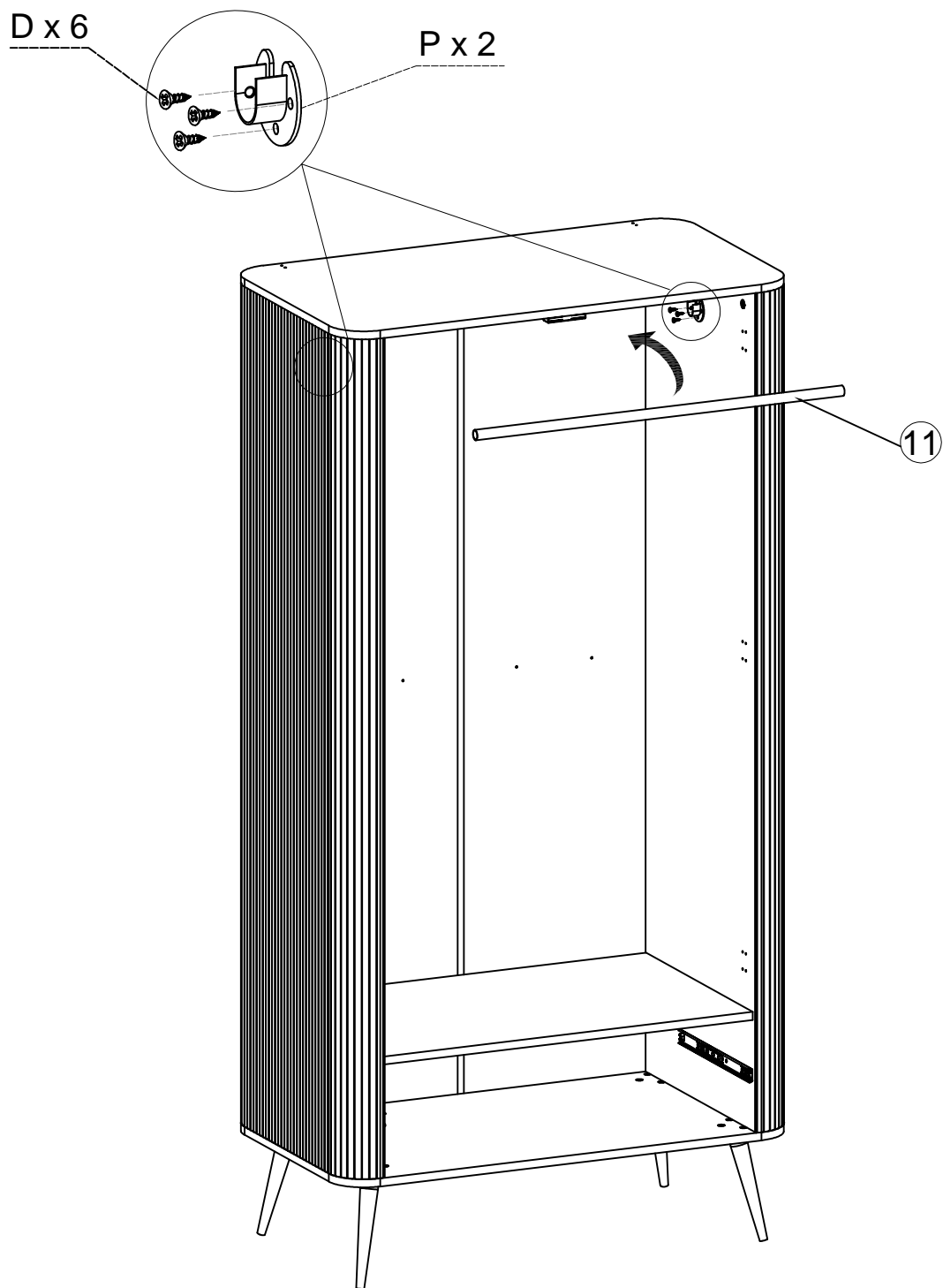
| | | |
|---|---|---|
| C | F | J |
|  |  |  |
| Ø8*30mm Dowel 4pcs | M7*38mm Screw 7pcs | 4mm Allen Key 1pc |


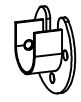
6. Assemble the leg to the frame.



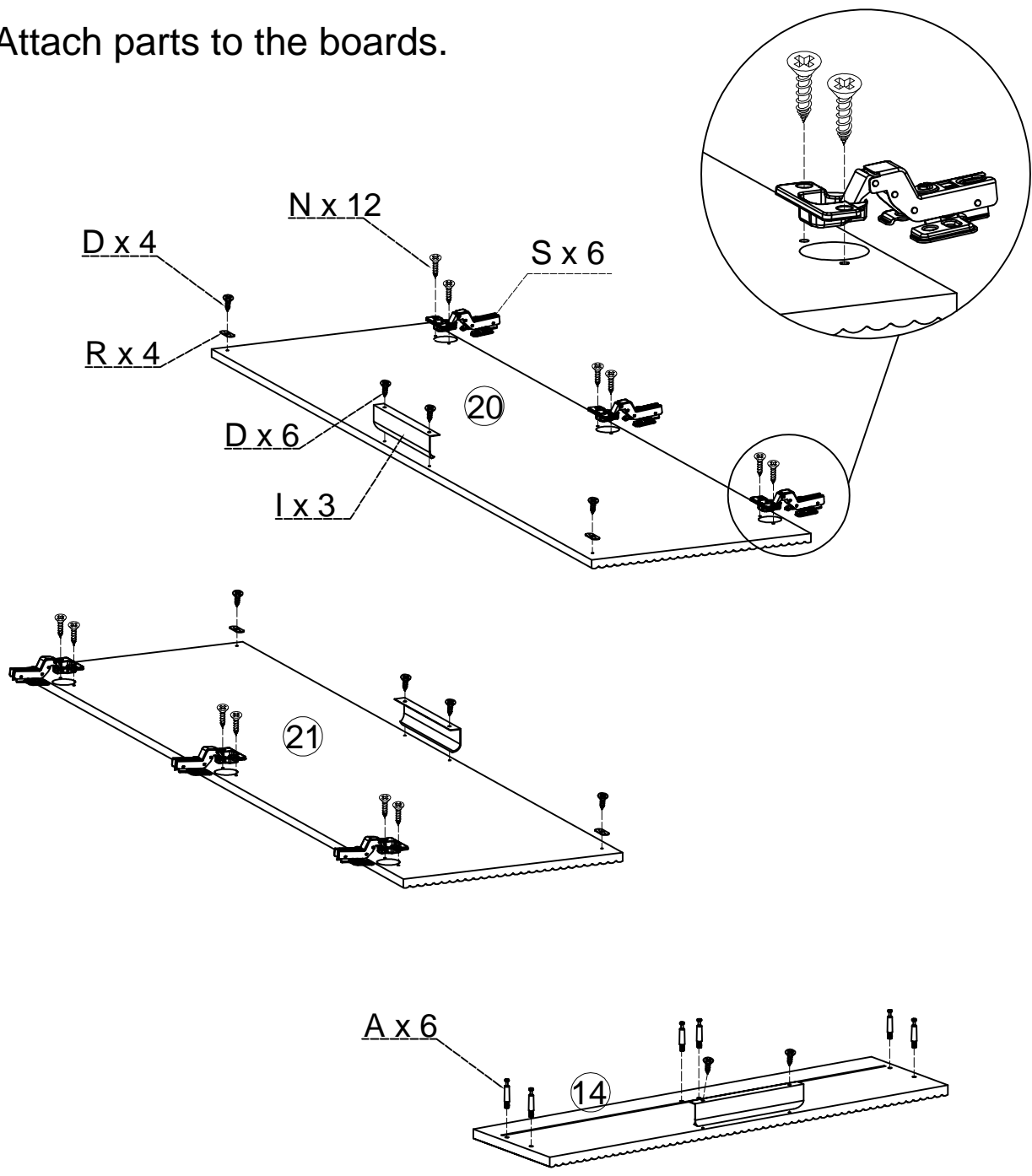
| G | J |
|---|---|
|  |  |
| M6*15mm Screw 16pcs | 4mm Allen Key 1pc |

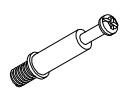





7.Assemble parts to the frame.



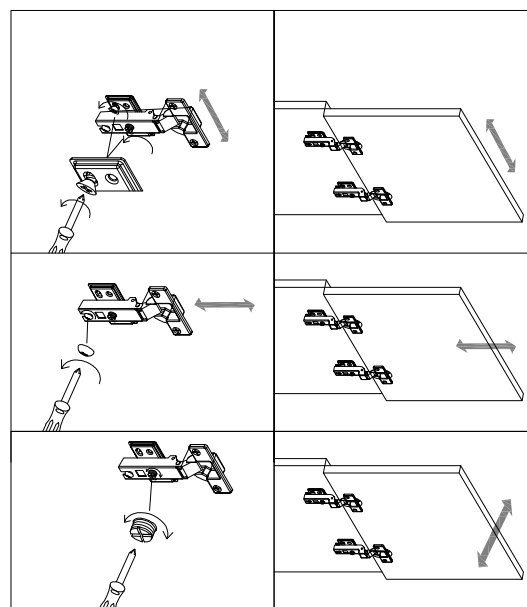
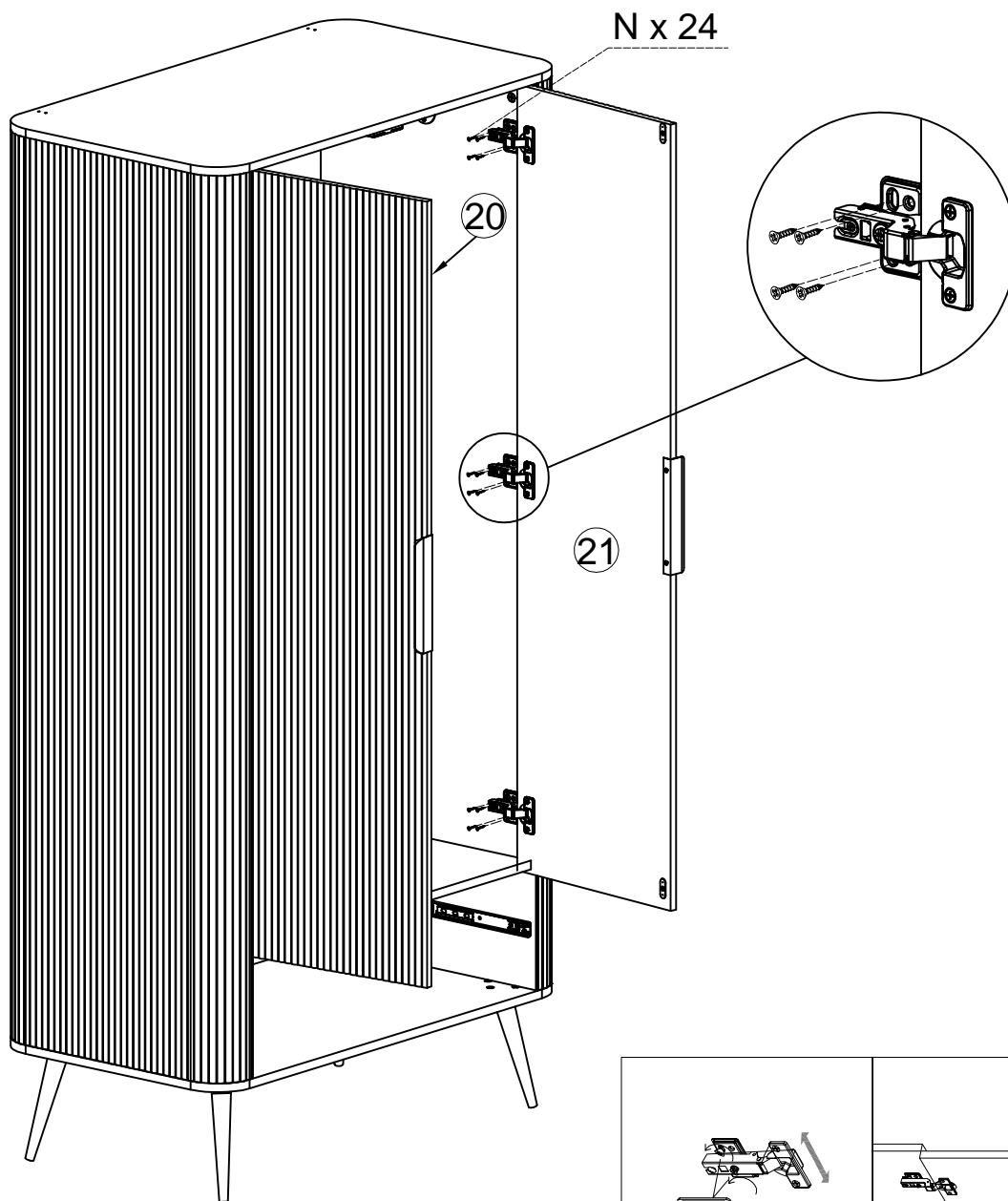
| D | P |
|---|---|
|  |  |
| M3*12mm Screw 6pcs | Clothes Pole Holder 2pcs |


8.Attach parts to the boards.



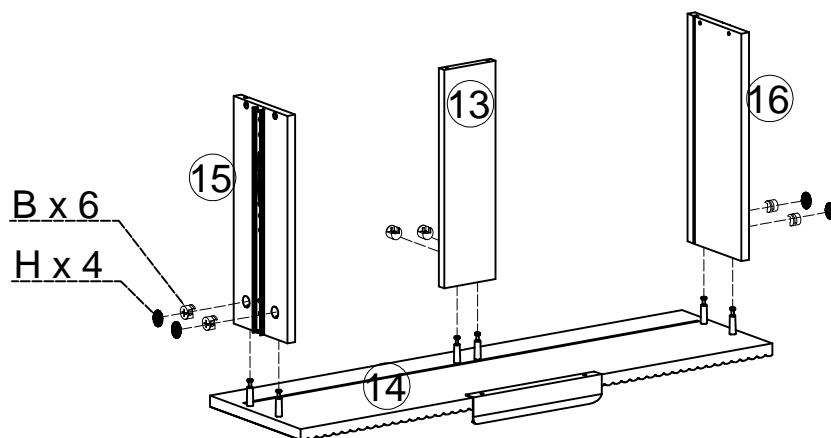
| | | |
|---|---|---|
| A  | D  | I  |
| M6.3*45mm Bolt 6pcs | M3*12mm Screw 10pcs | Handle 3pcs |
| N  | R  | S  |
| M3.5*14mm Screw 12pcs | Metal Sheet 4pcs | Hinge 6pcs |



9.Assemble doors to the frame.



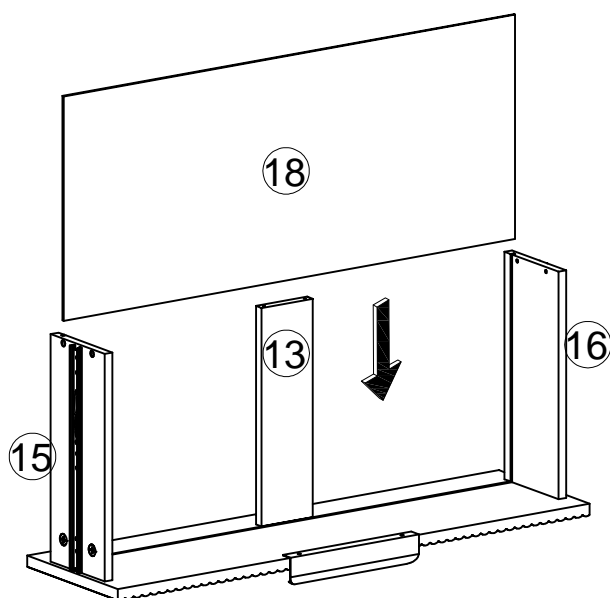
| |
|---|
| N |
|  |
| M3.5*14mm Screw |
| 24pcs |

10. Attach parts to the boards.

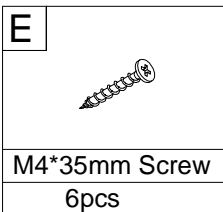
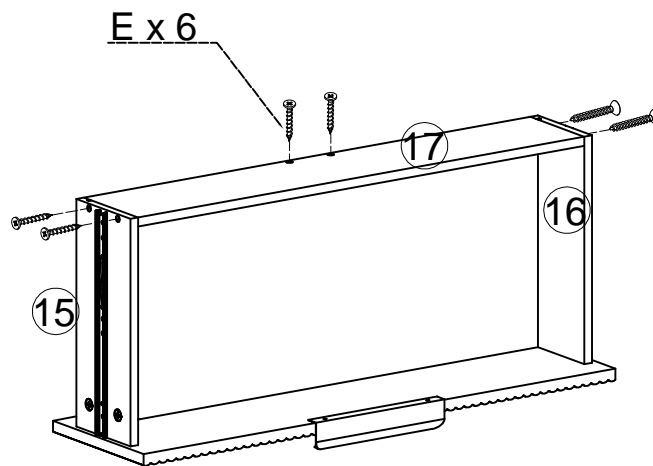


| B | H |
|---|---|
|  |  |
| Ø15*10mm CamLock | Cover |
| 6pcs | 4pcs |

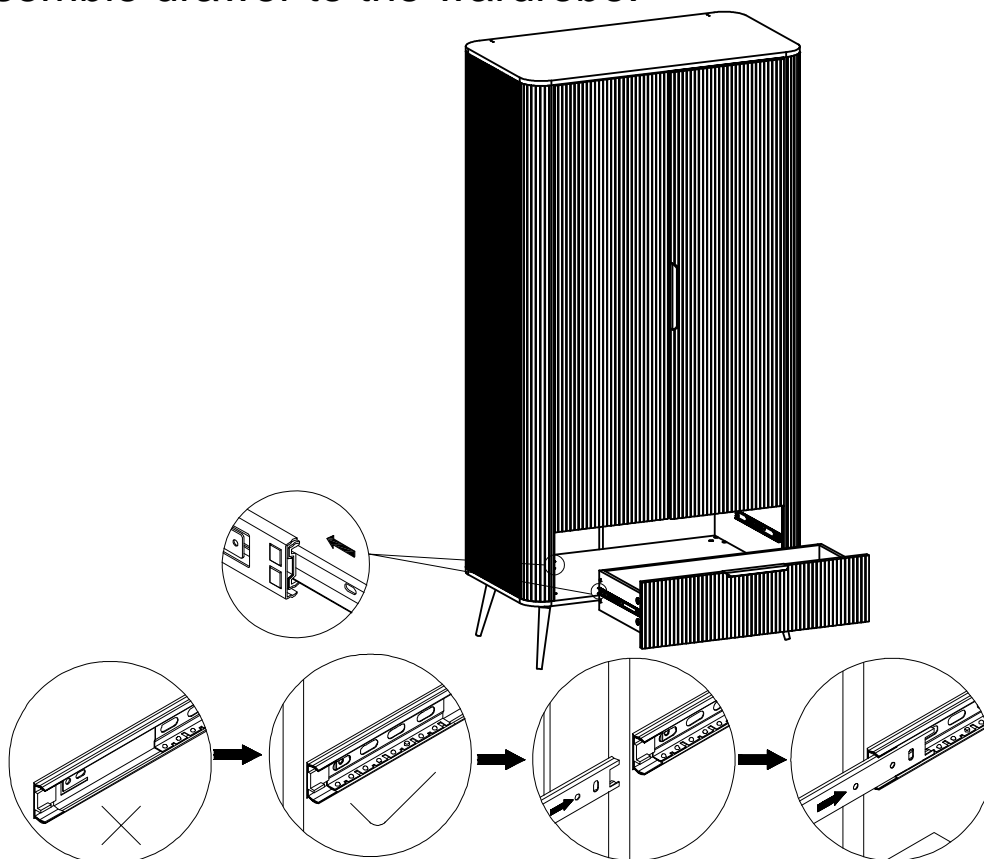
11. Assemble the drawer.



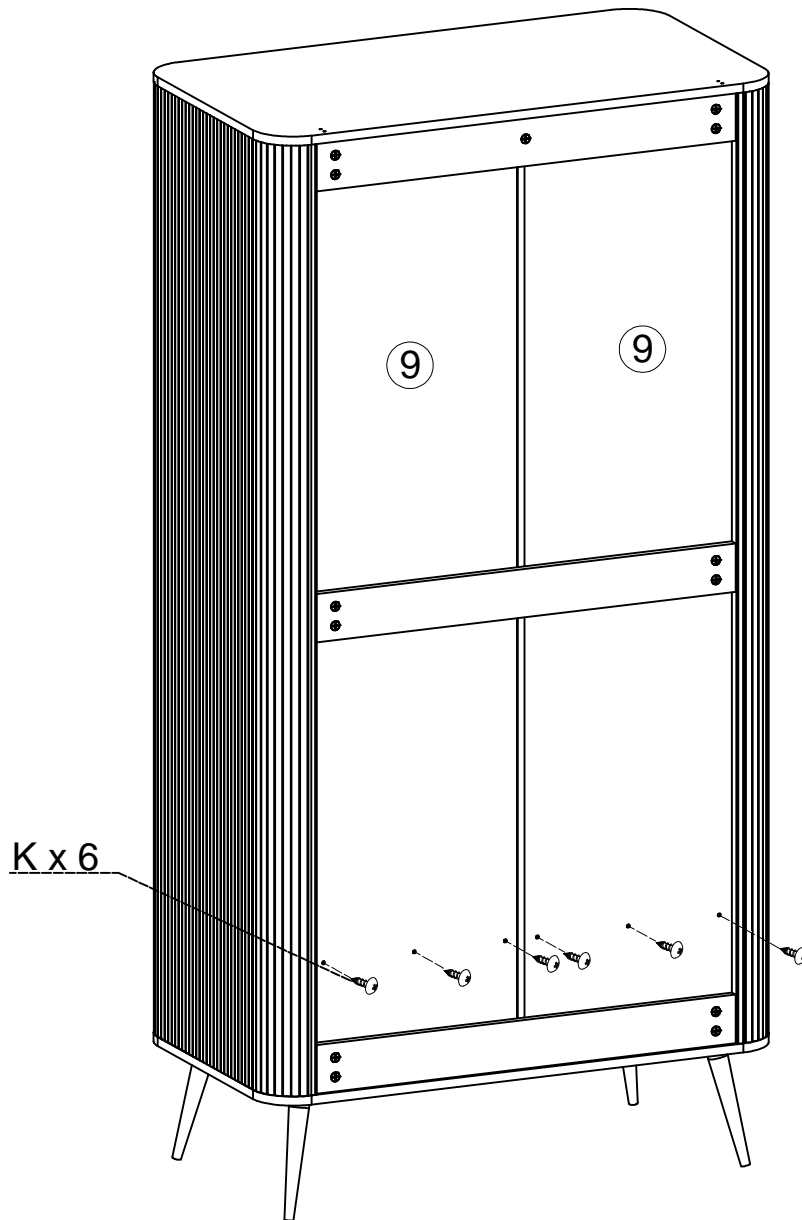
12. Assemble the drawer.




13. Assemble drawer to the wardrobe.

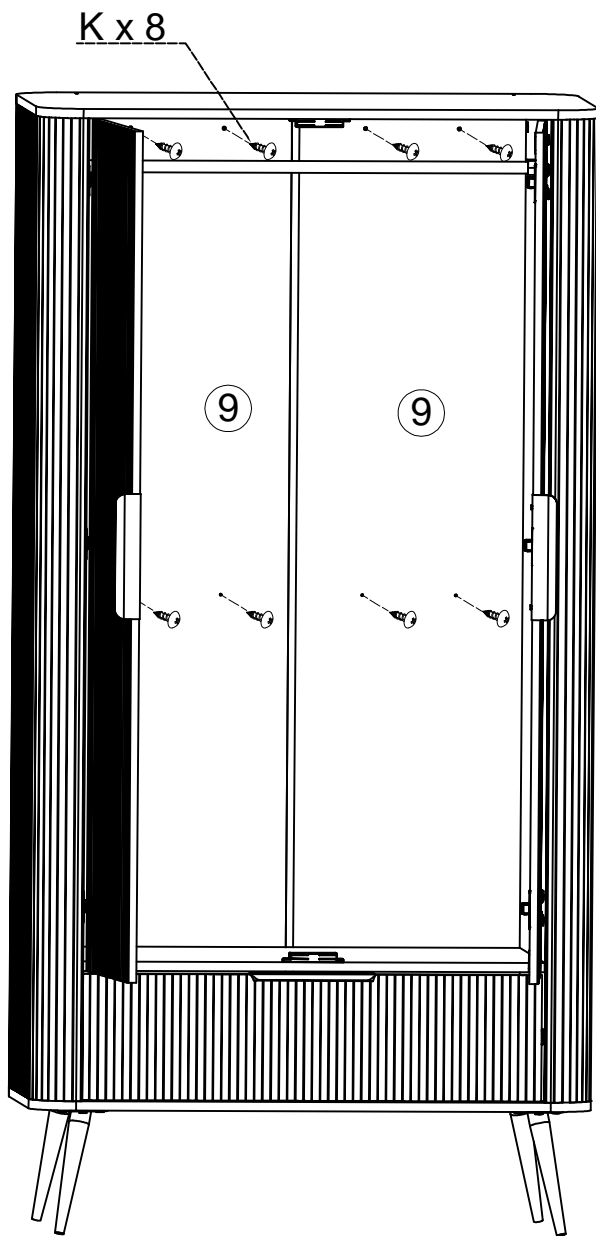



14. Attach parts to the back panel.



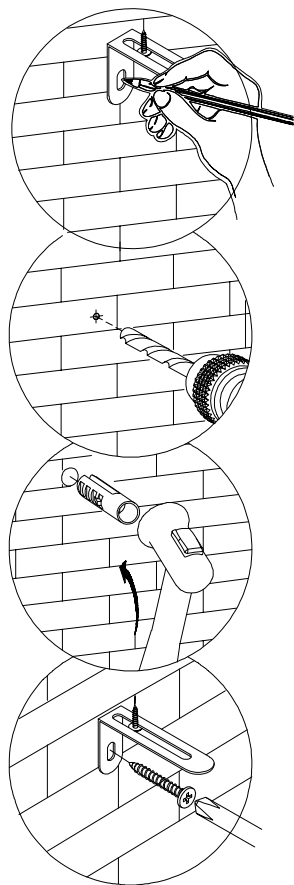
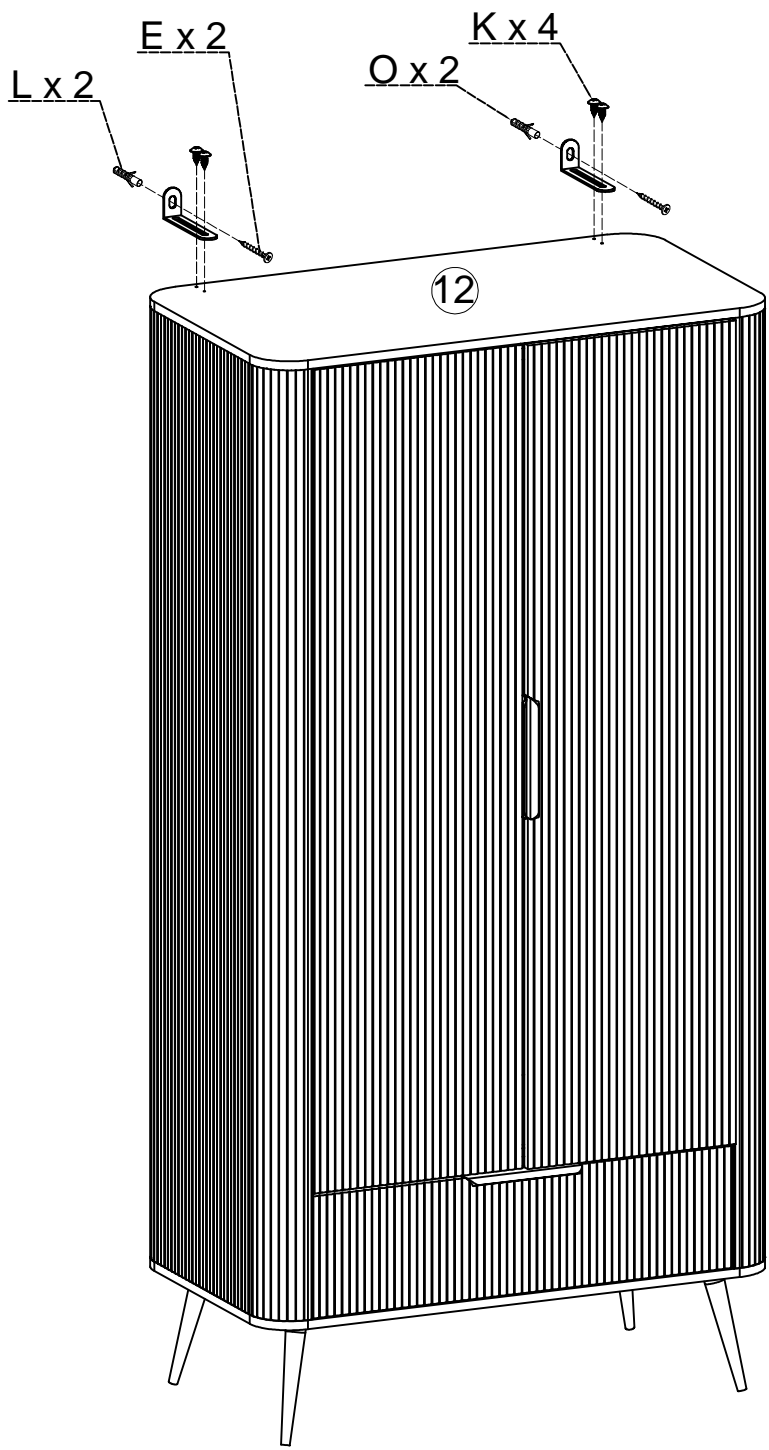
| |
|---|
| K |
|  |
| M4*14mm Screw |
| 6pcs |

15. Attach parts to the back panel.



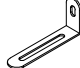



| |
|---|
| K |
|  |
| M4*14mm Screw |
| 8pcs |

16. Fix the L-shape Bracket to the wall.



M5*35mm Screw

| | | | |
|---|---|---|---|
| <p>E</p>  | <p>K</p>  | <p>L</p>  | <p>O</p>  |
| <p>M5*35mm Screw 2pcs</p> | <p>M4*14mm Screw 4pcs</p> | <p>Wall Bracket 2pcs</p> | <p>8mm Wall plug 2pcs</p> |