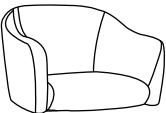
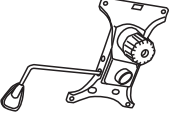
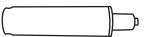
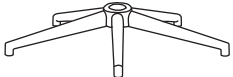







DUSK.COM

LIVING | BEDROOM | DINING

Boucle Office Chair
Box Dimensions:L68xW68xH53(cm)



<p>A</p> 	<p>B</p> 	<p>C</p> 		<p>D</p> 
<p>Seat</p>	<p>Chassis</p>	<p>Gas rods</p>		<p>Legs</p>
<p>1 PCS</p>	<p>1 PCS</p>	<p>1 PCS</p>		<p>1 PCS</p>
<p>E</p> 	<p>F</p> 	<p>G</p> 	<p>H</p> 	<p>I</p> 
<p>Wheel</p>	<p>M6X25mm+Chassis screws</p>	<p>gasket</p>	<p>Spring spacers</p>	<p>Hex wrench</p>
<p>5 PCS</p>	<p>4 PCS</p>	<p>4 PCS</p>	<p>4 PCS</p>	<p>1 PCS</p>



Up to 20 minutes
assembly time



Two person
assembly

V1.0

This product is intended for domestic use only, not commercial purposes

Care and Maintenance

- 1.Clean with your vacuum curtain attachment (the one with a lint-catching fabric strip) or a lint roller to stop dust build up.Do this regularly to keep the chair in its best condition.
- 2.Try to keep your chair away from direct sunlight, and not too close to heat sources, as this can cause fading over time.Do not allow the chair to make direct contact with any radiators or sources of heat.
- 3.Wipe up the spillages as quickly as possible by gently dabbing or blotting with a dry cloth until the mark fades away. Some tougher spills, such as oil and grease,can be more persistent and leave a stain. In this case, it's best to contact a specialist cleaning service.
- 4.Keep children and pets away while assembling the chair. Small parts could be a choking hazard.
- 5.Re-tighten all nuts and bolts after two weeks of use and regularly thereafter.
- 6.Do not sit on the arms of the chair.
- 7.Do not jump on the chair.
- 8.Only use the chair on a flat and level surface.
- 9.Dispose of all packaging carefully and responsibly - recycle where possible.
- 10.This product is intended for domestic use only, not commercial purposes.

Important

Assembly Tip

Before you begin, it's best to identify all of the parts and fittings to build your chair. We advise laying these out on the floor to check you have everything, and to familiarise yourself with all of the parts and fittings before building.

Top Tip

We recommend that you build your new chair in the room you'd like it to be located. This will help prevent any risk of damage to the frame whilst moving it.

Safety and Care

It's important to ensure children and animals are kept away from the assembly area.As there are small components used in this product which could present a choking hazard.All plastic and wrapping materials should also be kept away from children and animals to prevent any risk of suffocation.

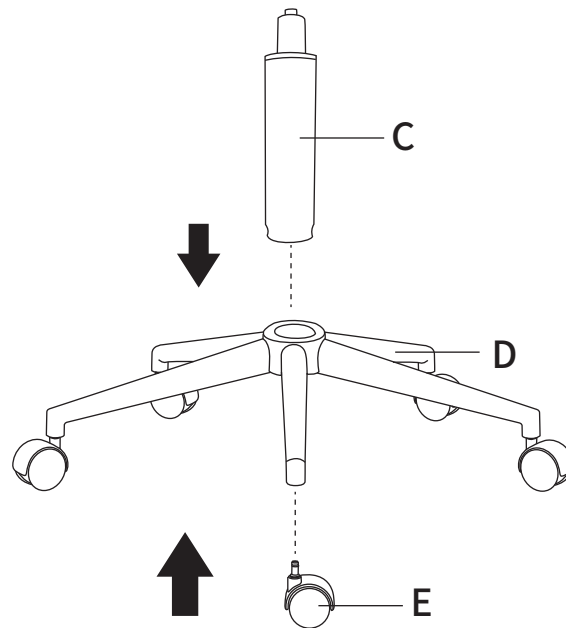
Help and Support

Please contact our customer service team on 0113 519 0311 if you have any questions or issues with your purchase.

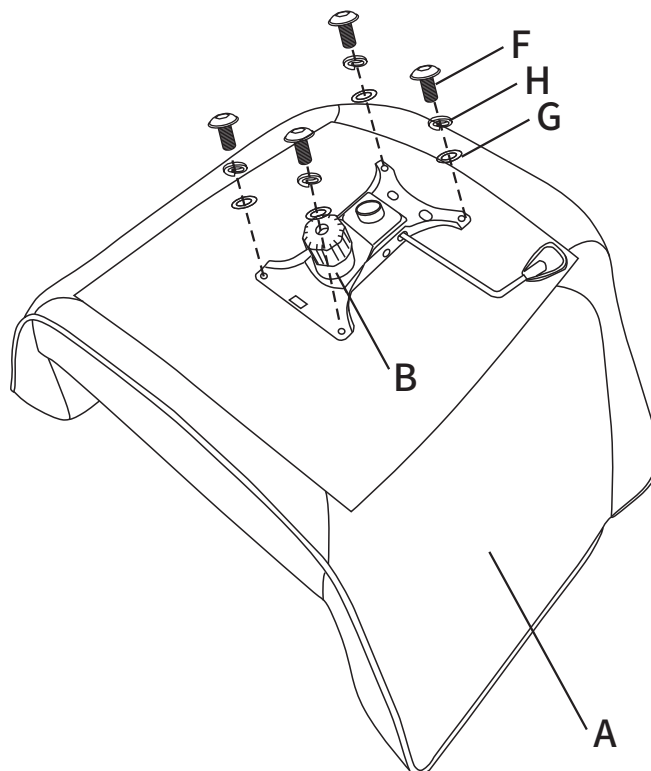
Recycling

Please ensure that packaging is disposed of in a safe and environmentally friendly way, and recycle where possible.Please keep your assembly instructions safe to refer back to in the future.

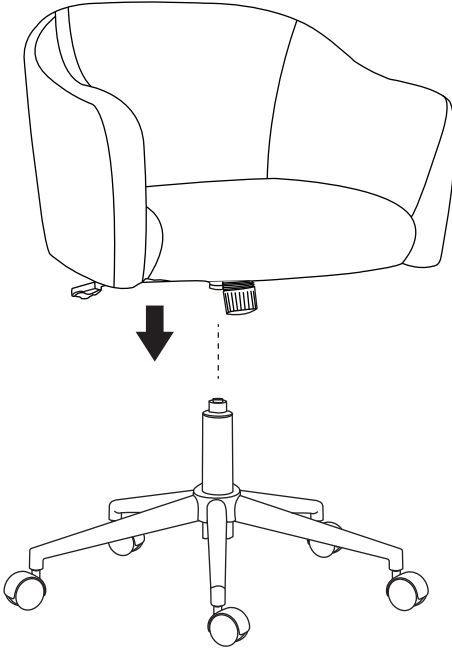
Step 1: Insert the wheel (E) into the outrigger (D) and the air rod (C) into the center hole of the outrigger (D).



Step 2: Attach the chassis (B) to the seat (A) with screws (F).



Step 3: Insert the assembled upper half chassis hole into the assembled lower half of the gas bar



Step 4: The assembly is complete

