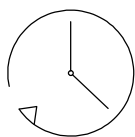
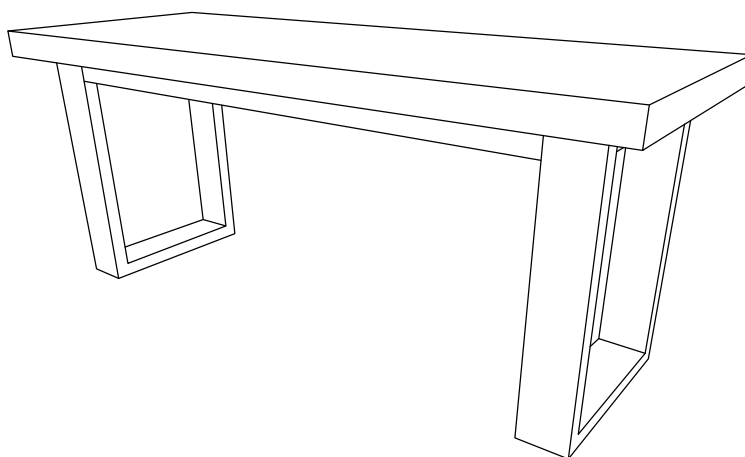
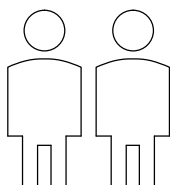


Harper Bench



Up to 15 minutes
assembly time



Two person
assembly

This product is intended for domestic use only, not for commercial purposes.

CARE AND MAINTENANCE:

1. Only clean using a damp cloth, do not use bleach or abrasive cleaners as they may damage the finish over time.
2. Do not use a very wet cloth or allow any liquid to contact with the veneer for a long period of time. Wipe any spillage immediately. Absorption can cause wood to warp or finishes to de-laminate.
3. Do not scrub or rub the surface when cleaning.
4. Do not drag the bench when moving, lift it off the floor instead.
5. Use a placemat or a coaster when putting hot items (e.g. hot drinks and dishes) on the wood surface.
6. It is not recommended to place the item next to sources of heat such as radiators, fires or directly exposed to sunlight. This may cause the wood to crack, split or fade due to the heat and humidity.
7. Wood will mellow and change colour over time, we recommend that ornaments and items placed on the surface to be moved regularly to prevent uneven mellowing.
8. Regularly check all fixings to ensure none have come loose. Re-tighten if necessary.
9. Avoid sharp items such as a screwdriver or any pointy tools.
10. Dispose of all packaging carefully and responsibly - recycle where possible.

IMPORTANT ASSEMBLY TIP

Before you begin, it's best to identify all of the parts and fittings to build your bench frame. We advise laying these out on the floor to check you have everything, and to familiarise yourself with all of the parts and fittings before building.

TOP TIP

We recommend that you assemble the bench in the room you'd like it to be located. This will help prevent any risk of damage to the frame whilst moving it.

SAFETY AND CARE

It's important to ensure children and animals are kept away from the assembly area, as there are small components used in this product which could present a choking hazard. All plastic and wrapping materials should also be kept away from children and animals to prevent any risk of suffocation.

HELP AND SUPPORT

Please contact our customer service team on 0113 519 0311 if you have any questions or issues with your purchase.

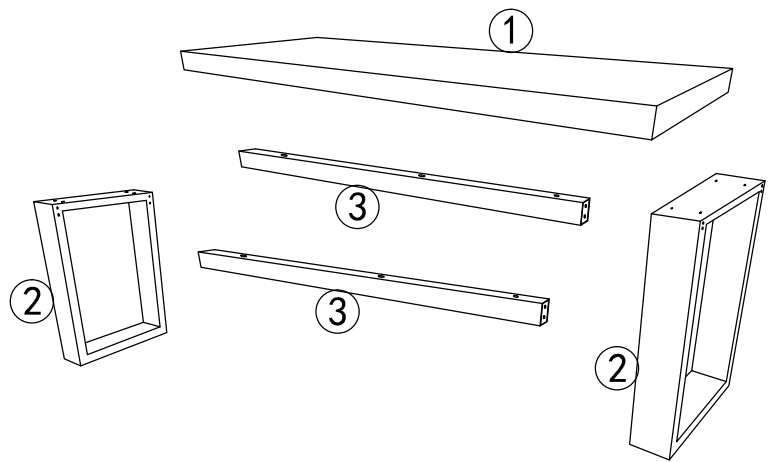
RECYCLING

Please ensure that packaging is disposed of in a safe and environmentally friendly way, and recycle where possible. Please keep your assembly instructions safe to refer back to in the future.

Parts list

Before you begin building your Harper bench, please take a moment to read through the instructions and make sure that you have all the relevant parts listed on the parts check list.

Part Number	Part Description	Quantity
①	Bench Top	1 pc
②	Leg	2 pcs
③	Support Frame	2 pcs

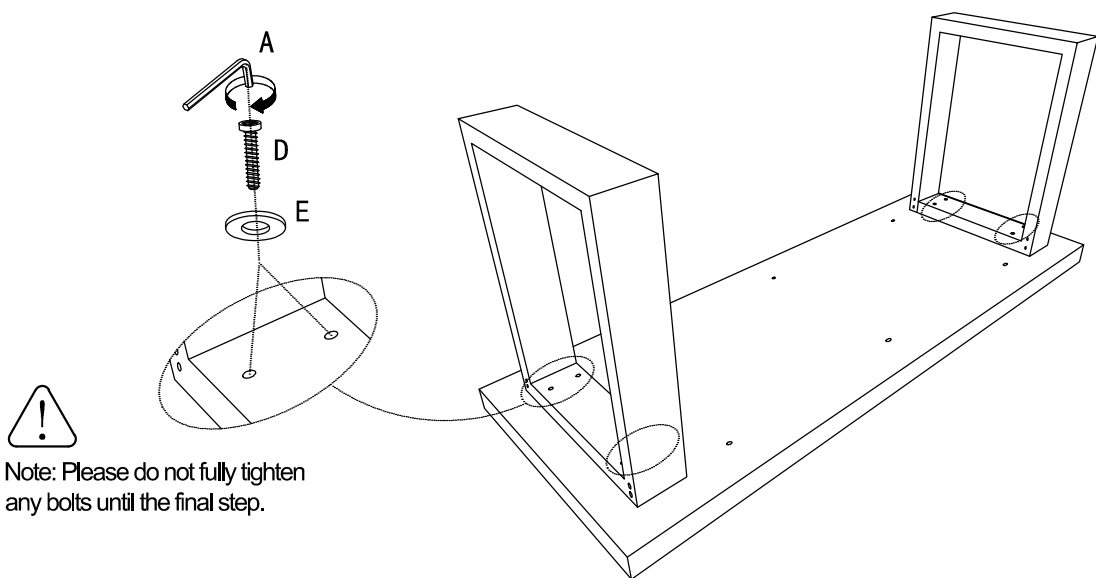


Fittings

Please check you have all the fittings listed below with your product.

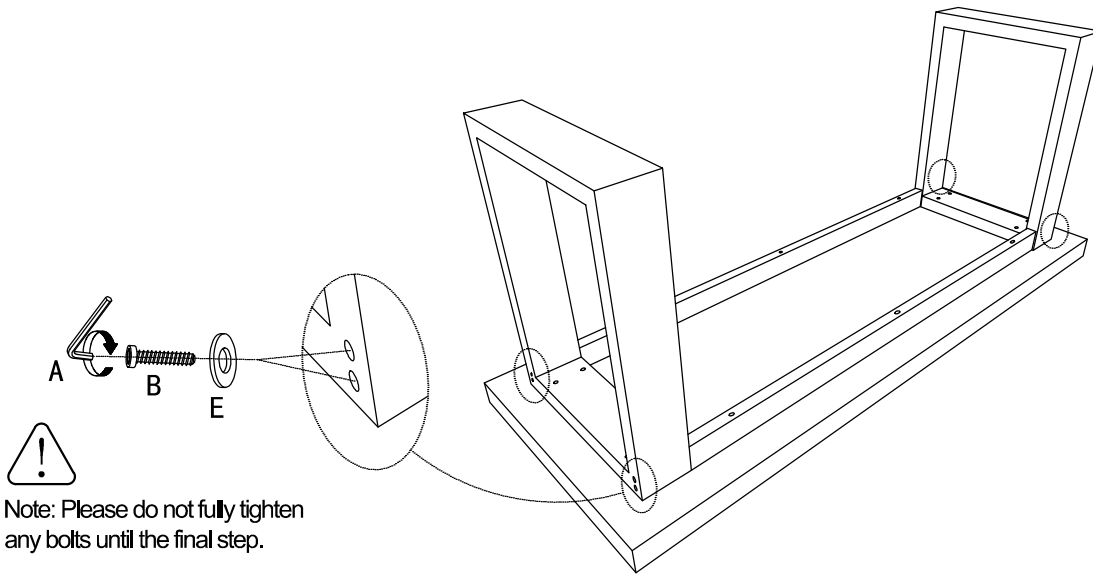
A	B	C	D	E	F
4mm Allen Key	M6*95mm Bolt	M6*70mm Bolt	M6*45mm Bolt	M6*Ø18mm Flat Washer	Foot Pad
1 pc	8pcs+1pc extra	6pcs+1pc extra	8pcs+1pc extra	22pcs+2pcs extra	4 pcs


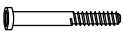

1. Attaching the legs to the bench top.



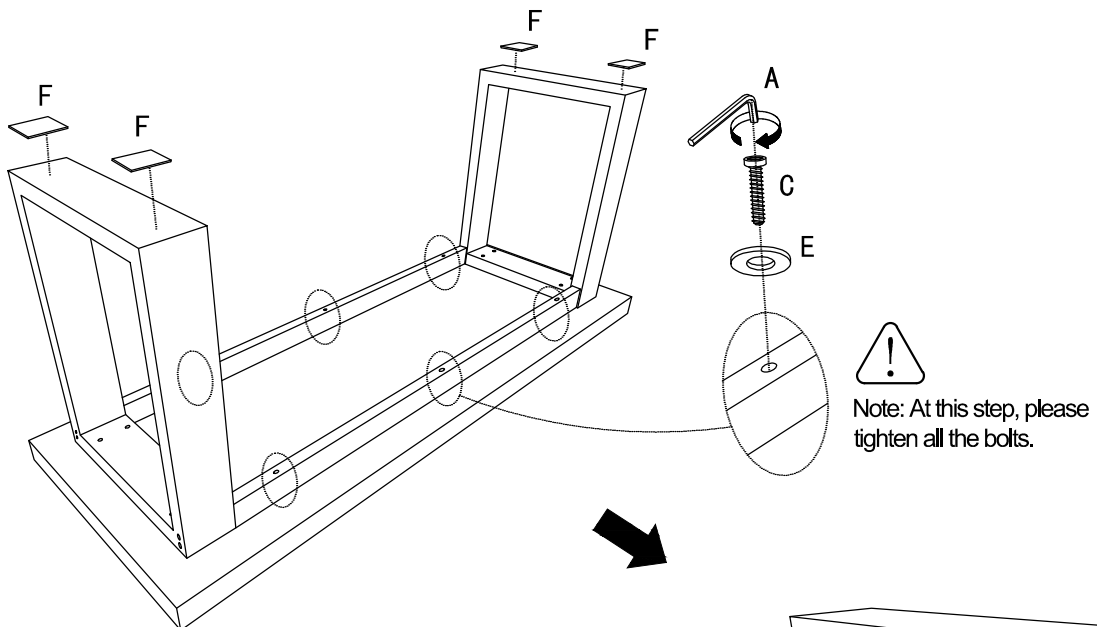
A	D	E
4mm Allen Key	M6*45mm Bolt	M6*Ø18mm Flat Washer
1 pc	8pcs	8pcs


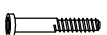


2. Attaching the legs and the support frame.



<p>A</p> 	<p>B</p> 	<p>E</p> 
<p>4mm Allen Key 1 pc</p>	<p>M6*95mm Bolt 8 pcs</p>	<p>M6*Ø18mm Flat Washer 8 pcs</p>

3. Fix the support frame on the bench top, apply the foot pads on.



<p>A</p> 	<p>C</p> 	<p>E</p> 	<p>F</p> 
<p>4mm Allen Key 1 pc</p>	<p>M6*70mm Bolt 6 pcs</p>	<p>M6*Ø18mm Flat Washer 6 pcs</p>	<p>Foot Pad 4 pcs</p>

