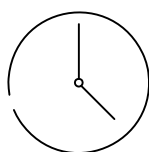
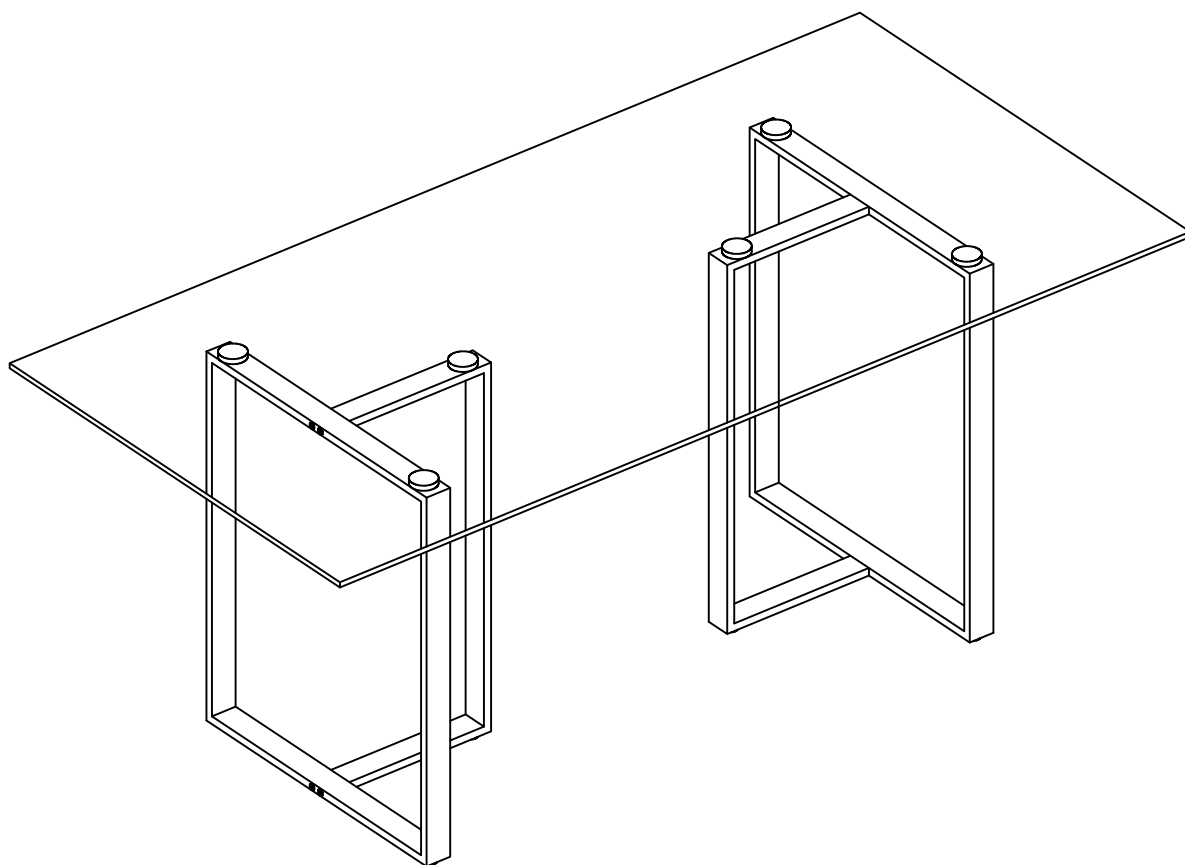
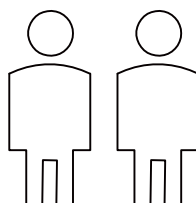


Glass Dining Table



Up to 20 minutes
approx assembly
time



Two person
assembly

Important

Assembly Tip

Before you begin, we advise laying everything out on a clean and soft level surface to avoid damaging the unit or your floor. It's best to identify all of the parts and fittings to build your bedside table, and to familiarise yourself with all of the parts and fittings before building.

Top Tip

We recommend that you build your new dining table in the room you'd like it to be located. This will help prevent any risk of damage to the product whilst moving it.

Safety and Care

1. It's important to ensure children and animals are kept away from the assembly area, as there are small components used in this dining table which could present a choking hazard. All plastic and wrapping materials should also be kept away from children and animals to prevent any risk of suffocation.
2. Do not stand on your product.
3. Always use the item on firm level ground, ensuring all legs remain in contact with the ground.
4. Do not set TV or other heavy objects on top of the product.
5. Children should always be under supervision whilst using this product. Never allow children to climb on the dining table.
6. Serious or fatal crushing injuries can occur from tipping furniture.

Help and Support

Please contact our customer service team on 0113 519 0311 if you have any questions or issues with your purchase.

Recycling

Please ensure that packaging is disposed of in a safe and environmentally friendly way, and recycle where possible. Please keep your assembly instructions safe to refer back to in the future.

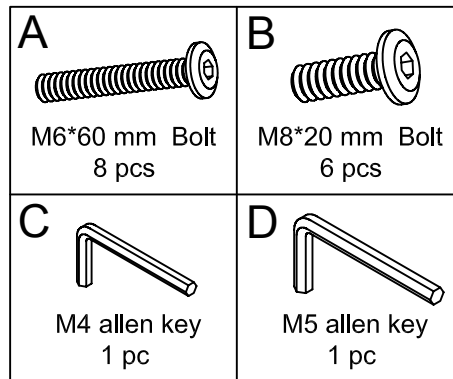
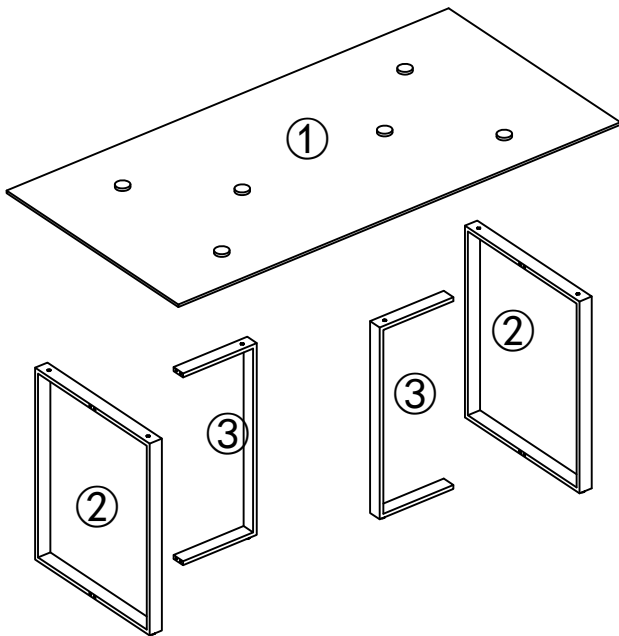
Care and Maintenance

1. Only clean using a damp cloth, do not use bleach or abrasive cleaners as they may damage the finish over time.
2. Do not scrub or rub the surface when cleaning.
3. Do not drag the dining table when moving, lift it off the floor instead.
4. Use a placemat or a coaster when putting hot items (e.g. hot drinks and dishes) on the surface.
5. It is not recommended to place the item next to sources of heat such as radiators, fires or directly exposed to sunlight. This may cause the leg to rust or fade due to the change of the humidity and temperature.
6. Regularly check all fixings to ensure none have come loose. Re-tighten if necessary.
7. Avoid sharp items such as a screwdriver or any pointy tools.
8. Caution: This product contains glass.
9. Max weight loading capacity 70kg.

Parts

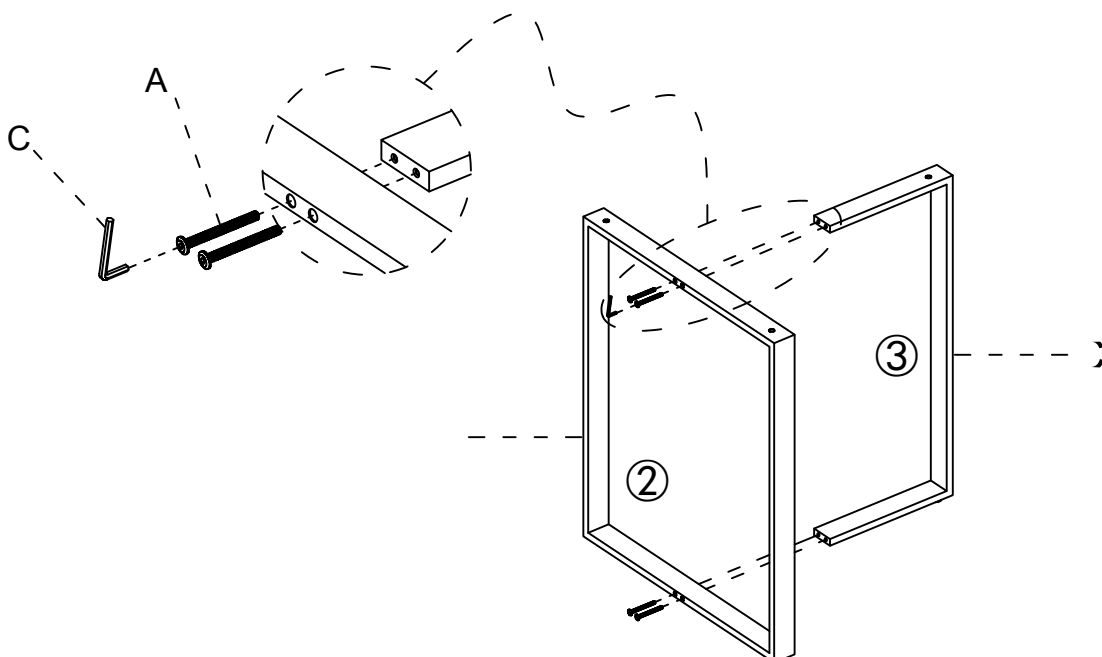
Before you begin building your table, please take a moment to read through the instructions and make sure that you have all the relevant parts listed on the parts check list.

Part	Description	Qty
1	Table Top	1 pc
2	Outer Leg	2 pcs
3	Inner Leg	2 pcs



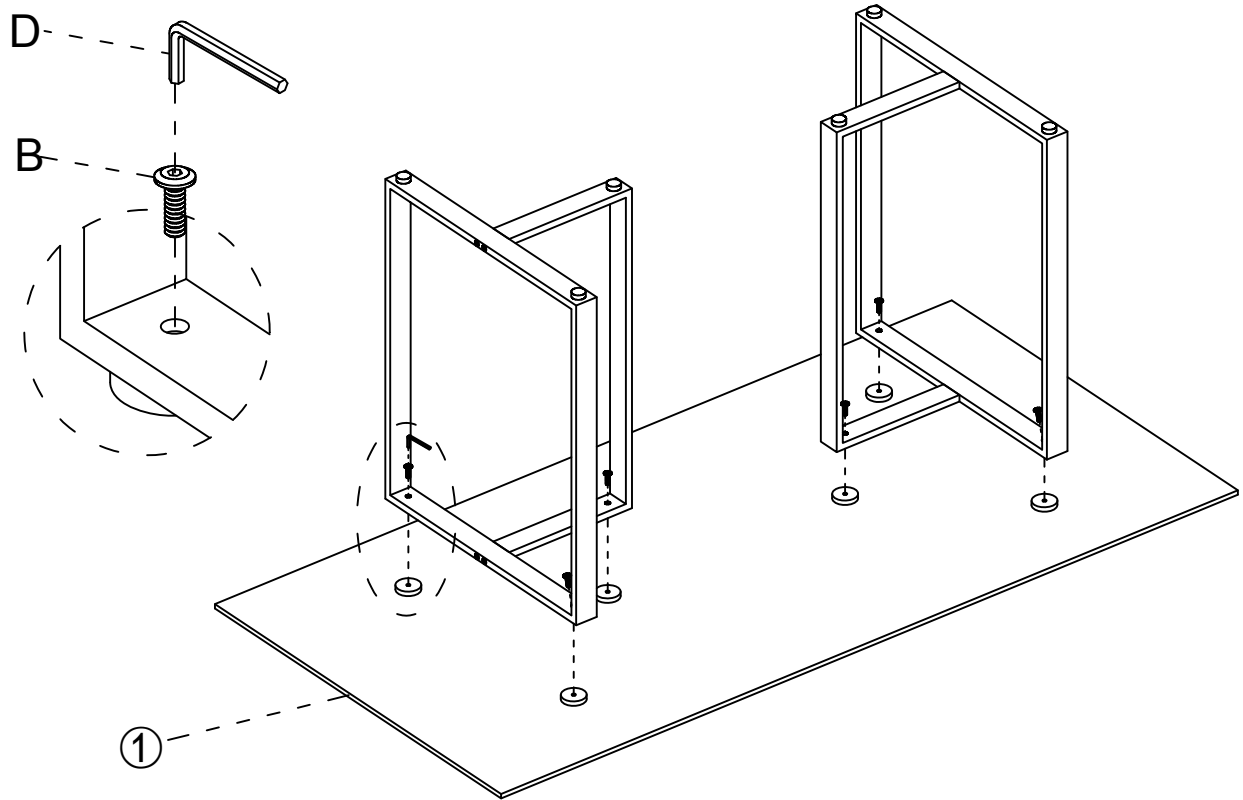
Step 1:

Attach the Inner Leg (3) to the Outer Leg (2) using Bolt A.



Step 2:

Secure the legs to the Glass Top (1) using Bolt B.



Step 3:

Before use, adjust the legs to sit flat on the floor.

