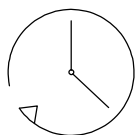
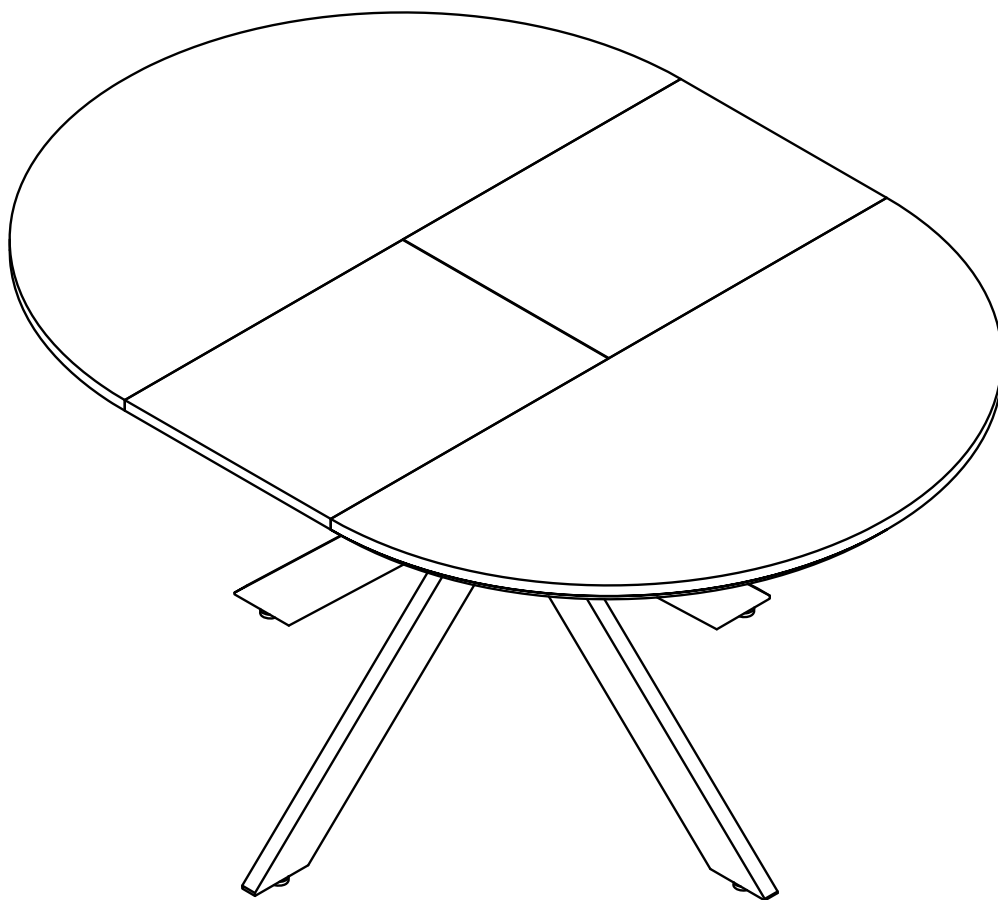
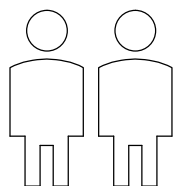


Extendable Dining Table



Up to 40 minutes
assembly time



Two person
assembly

This product is intended for domestic use only, not commercial purposes.

IMPORTANT

ASSEMBLY TIP

Before you begin, it's best to identify all of the parts and fittings to build your table frame. We advise laying these out on the clean and flat floor to check you have everything, and to familiarise yourself with all of the parts and fittings before building.

TOP TIP

We recommend that you assemble the table in the room you'd like it to be located. This will help prevent any risk of damage to the frame whilst moving it.

SAFETY AND CARE

1. Do not stand on your product. Pregnant women should take additional care when using this product. Do not leave the child unattended. Children should always be under direct adult supervision whilst using this product. Always use on firm level ground, ensuring all legs remain in contact with the ground.
2. It's important to ensure children and animals are kept away from the assembly area, as there are small components used in this product which could present a choking hazard. All plastic and wrapping materials should also be kept away from children and animals to prevent any risk of suffocation.

HELP AND SUPPORT

Please contact our customer service team on 0113 519 0311 if you have any questions or issues with your purchase.

RECYCLING

Please ensure that packaging is disposed of in a safe and environmentally friendly way, and recycle where possible. Please keep your assembly instructions safe to refer back to in the future.

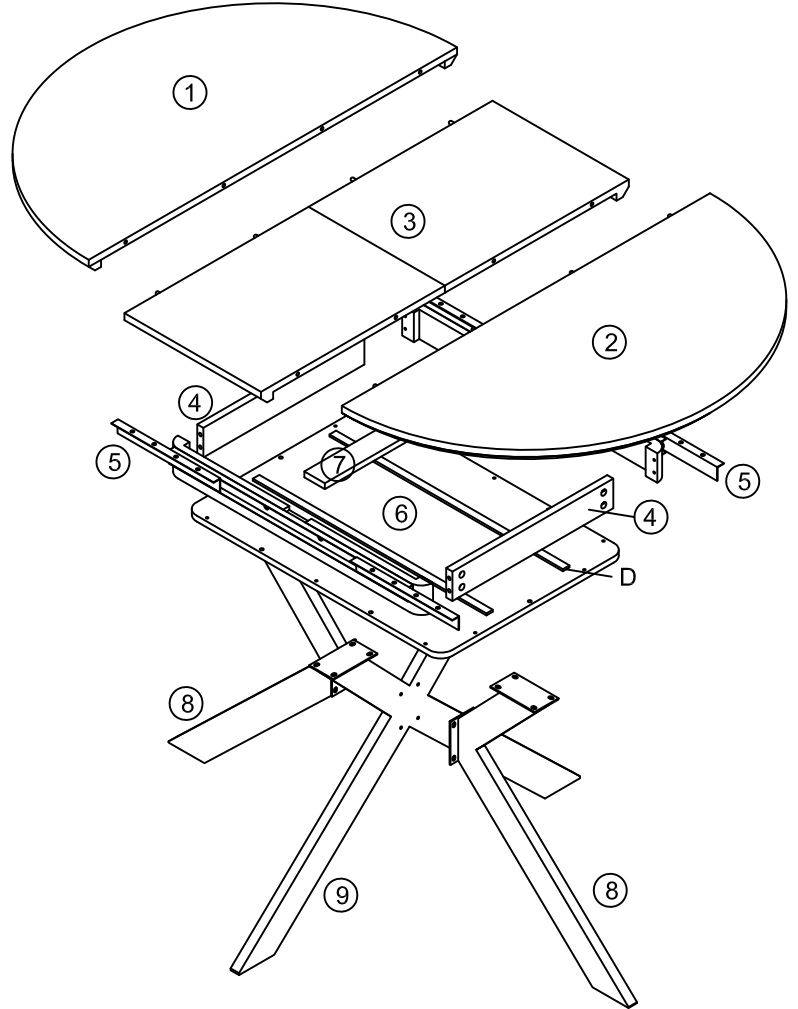
CARE AND MAINTENANCE:

1. Only use clean, colourless sponge or cloth to avoid any colour transfer or smearing, do not use bleach or abrasive cleaners as they may damage the marble top over time.
2. Do not use a very wet cloth or allow any liquid to contact with the marble for a long period of time. Wipe any spillage immediately.
3. Do not scrub or rub the surface when cleaning.
4. Do not drag the table when moving, lift it off the floor instead.
5. Use a placemat or a coaster when putting hot items (e.g. hot drinks and dishes) on the marble surface.
6. It is not recommended to place the item next to sources of heat such as radiators, fires or directly exposed to sunlight.
7. Regularly check all fixings to ensure none have come loose. Re-tighten if necessary.
8. Avoid sharp items such as a screwdriver or any pointy tools.
9. Dispose of all packaging carefully and responsibly - recycle where possible.
10. Due to the delicate nature of this product, please gently place hard items onto the table top to avoid damaging the surface.

Parts List

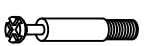



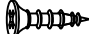
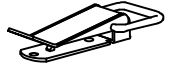


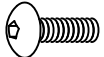


Before you begin building your Extendable dining table, please take a moment to read through the instructions and make sure that you have all the relevant parts listed on the parts check list.

Part Number	Part Description	Quantity
①	Table top Left	1 pc
②	Table top Right	1 pc
③	Table top Middle	1 pc
④	Support Plate Short	2 pcs
⑤	Support Plate Long	2 pcs
⑥	Bottom Panel	1 pc
⑦	Support Bar	1 pc
⑧	Side Legs	2 pcs
⑨	Middle Leg	1 pc

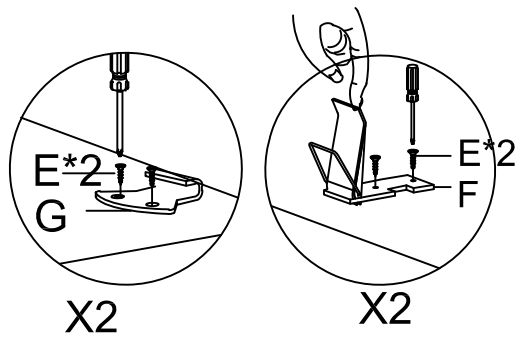
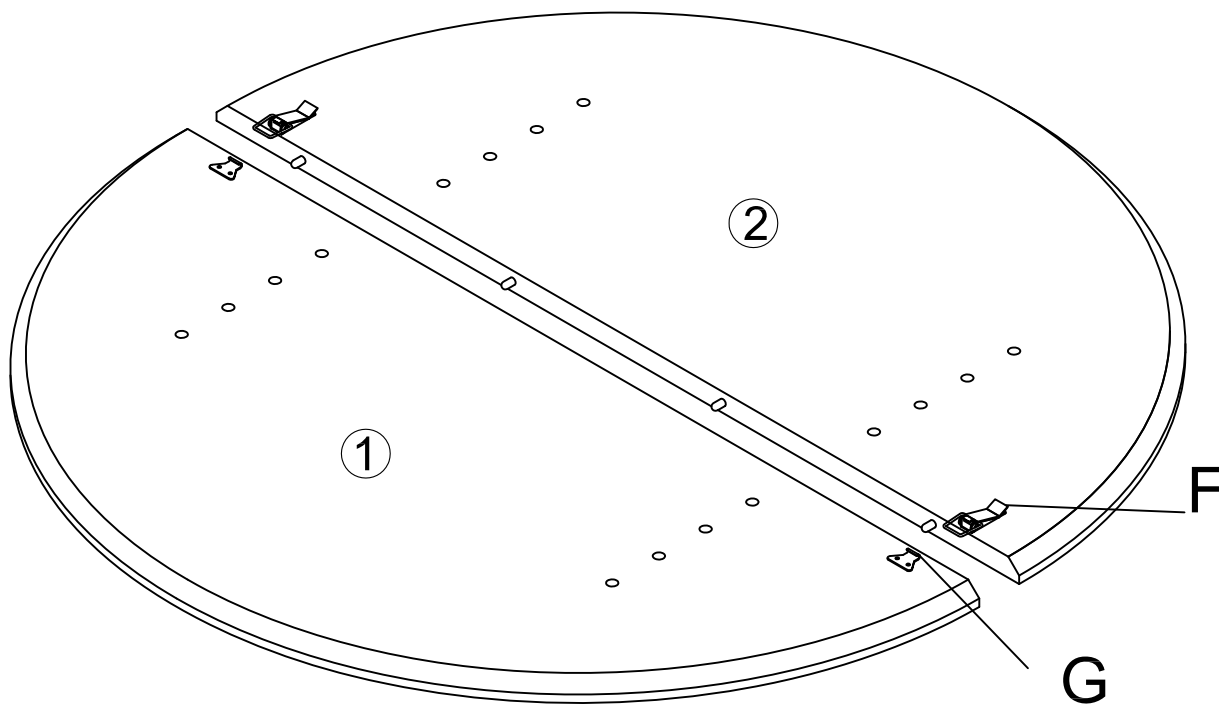


Fittings

Please check you have all the fittings listed below with your product




A	B	C	D	E	F
					
M6x35mm Bolt 8pcs+1pc extra	Ø15x11mm Eccenter 8pcs+1pc extra	Ø8*50mm Wooden Dowel 6pcs+1pc extra	700mm Lint pre-attached 2pcs	Ø3.5x14mm Bolt 16pcs+1pc extra	44x24x11mm Bales CatchKey 4pcs
G	H	I	J	K	
					
27x21x6mm Bales CatchKey 4pcs	M6x70mm Bolt 10pcs+1pc extra	M6*12mm Bolt 40pcs+1pc extra	Ø35mm Adjustable Foot 4pcs	4mm Allen Key 1pc	

1. Attach the Catch Key to the Table Top

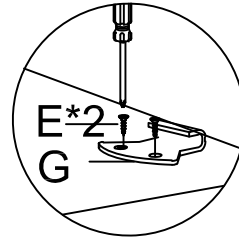
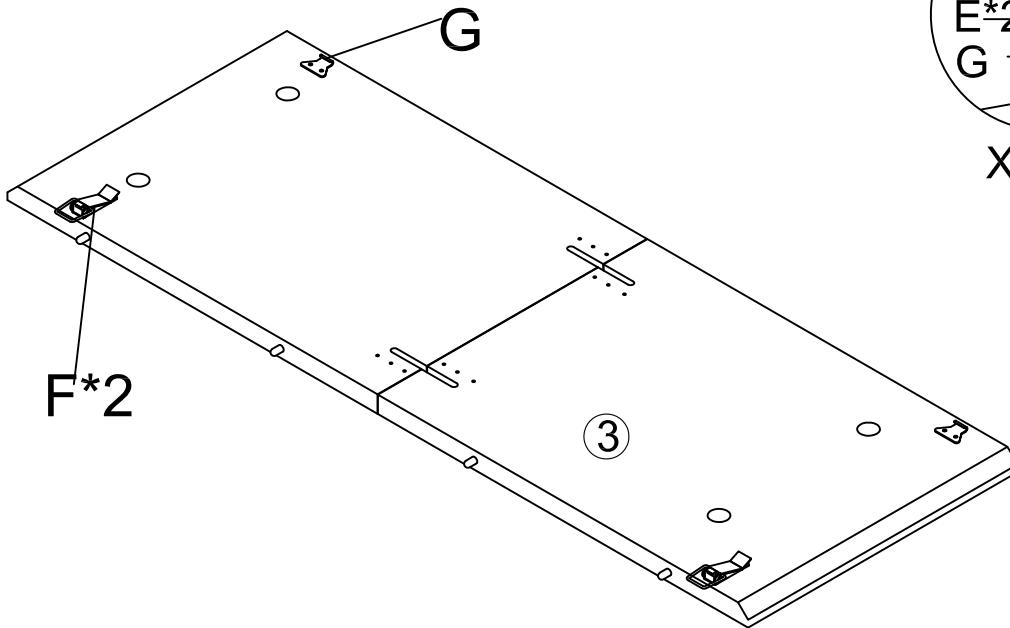


X2

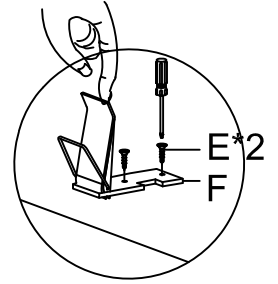
X2

E	F	G
		
Ø3.5x14mm Bolt	44x24x11mm Catch Key	27x21x6mm Catch Key
8pcs	2pcs	2pcs




2. Attach the Catch Key to the Table Top Middle



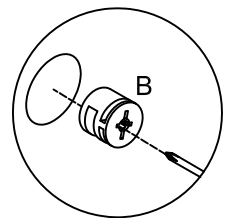
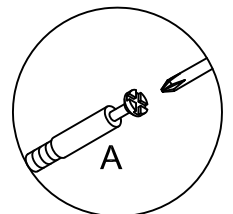
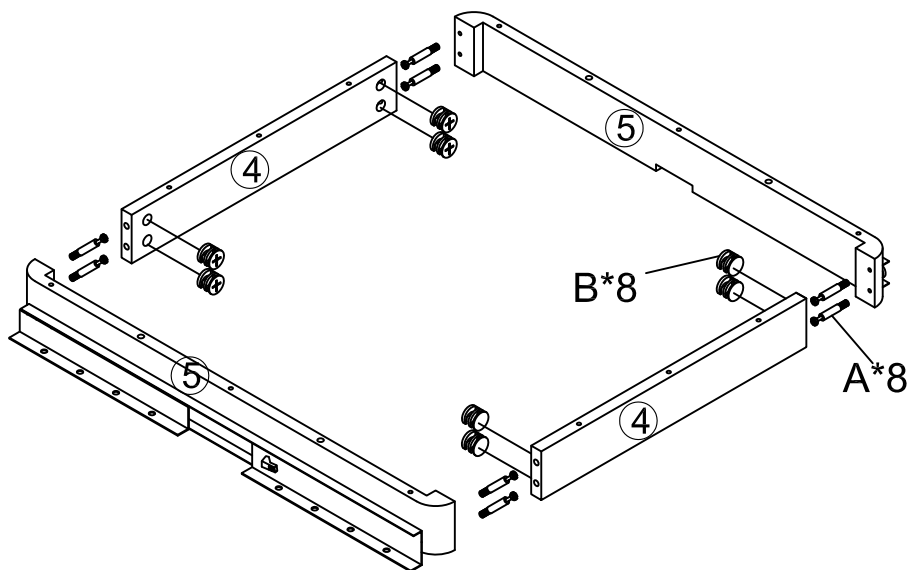
X2

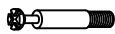



X2

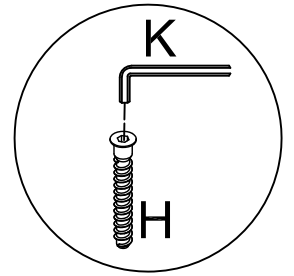
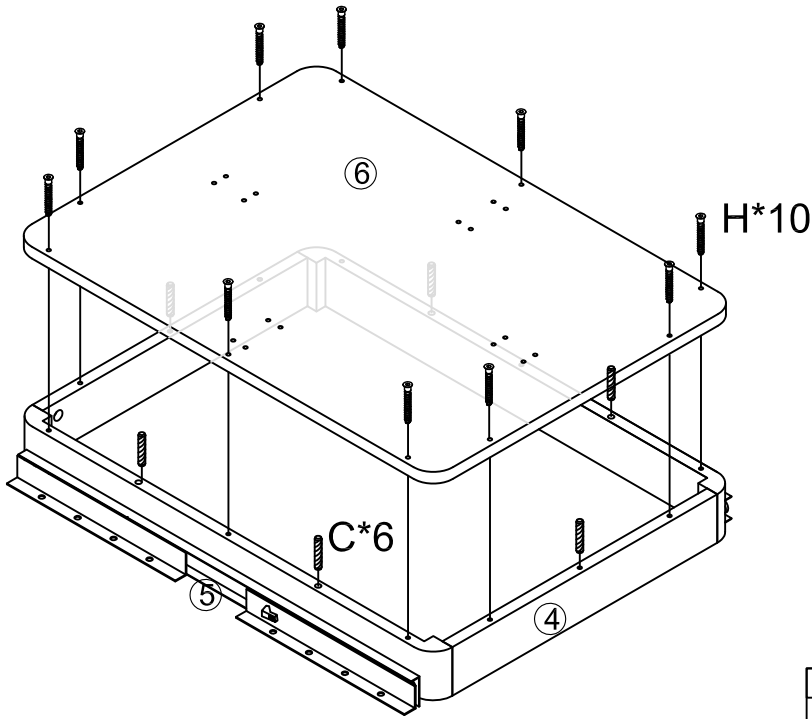
E	F	G
		
Ø3.5x14mm Bolt	44x24x11mm Catch Key	27x21x6mm Catch Key
8pcs	2pcs	2pcs

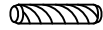


3. Attach the bolts to the Support Plate Long and attach to the Support Plate Short



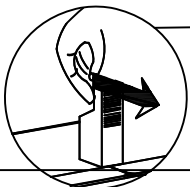
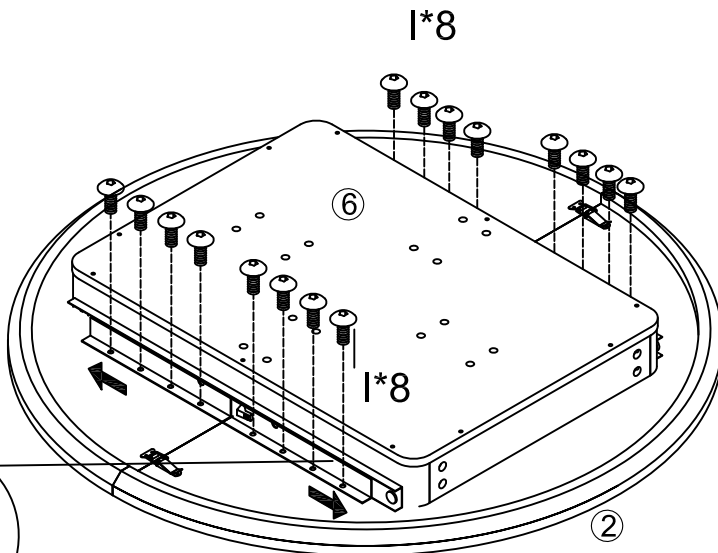
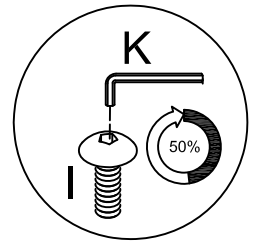
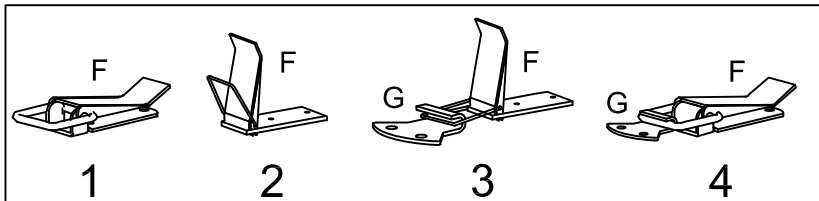
A	B
	
M6x35mm Bolt	Ø15*11mm Cam Lock
8pcs	8pcs



4. Attach the bottom panel to the support plate long and support plate short



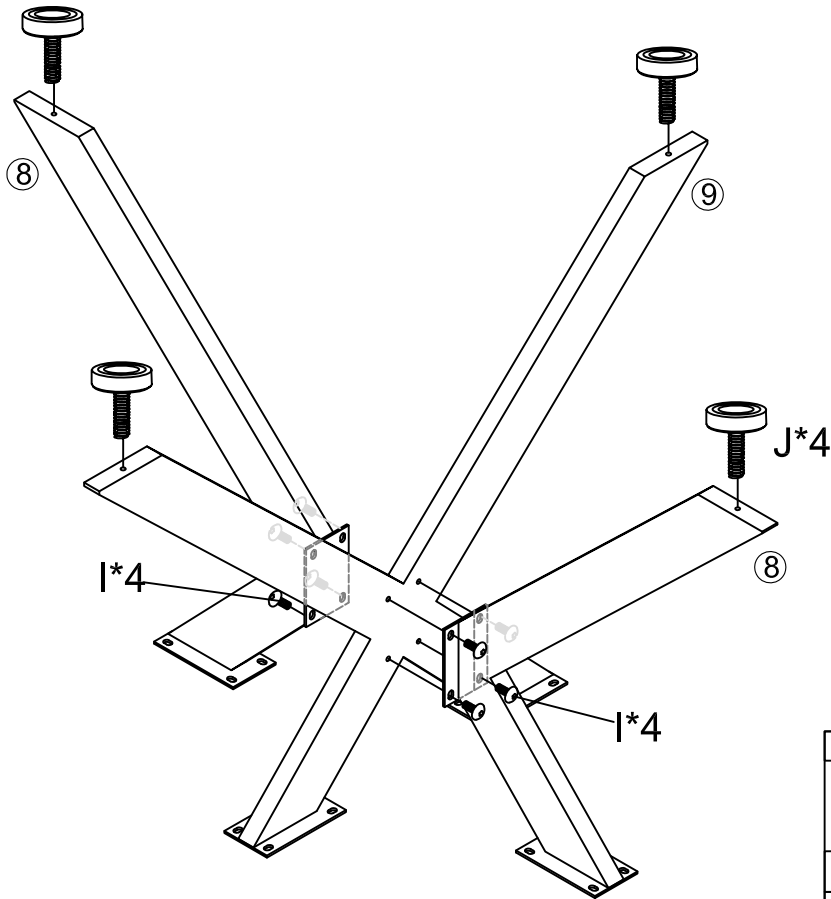
C	H	K
		
Ø8*50mm Wood Plug	M6x70mm Bolt	4mm Allen Key
6pcs	10pcs	1pc

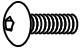


5. Attach the support plate to the table top



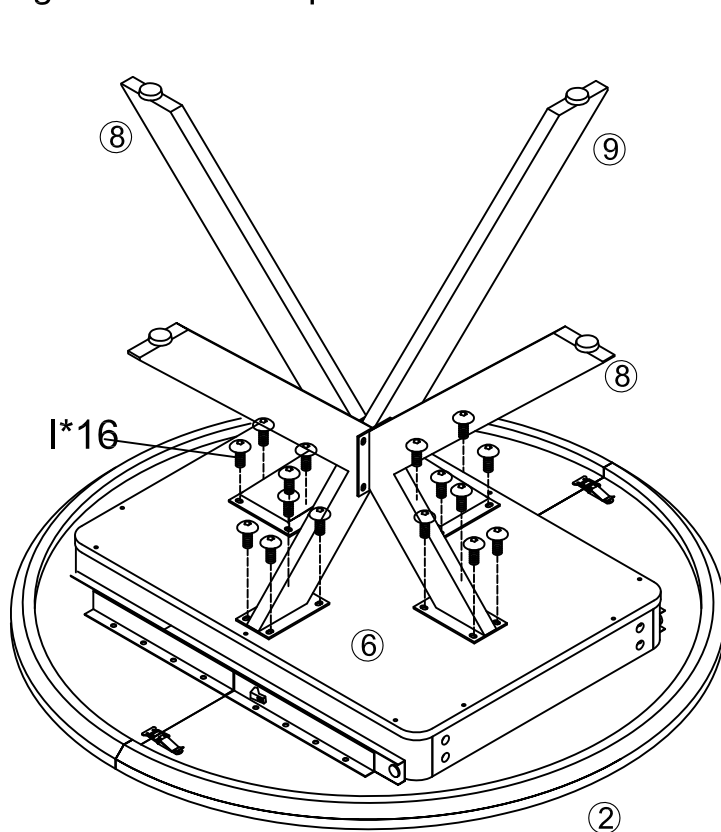
I	K
	
M6*12mm Bolt	4mm Allen Key
16pcs	1pc

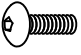

6. Attach the left and right legs to the middle leg



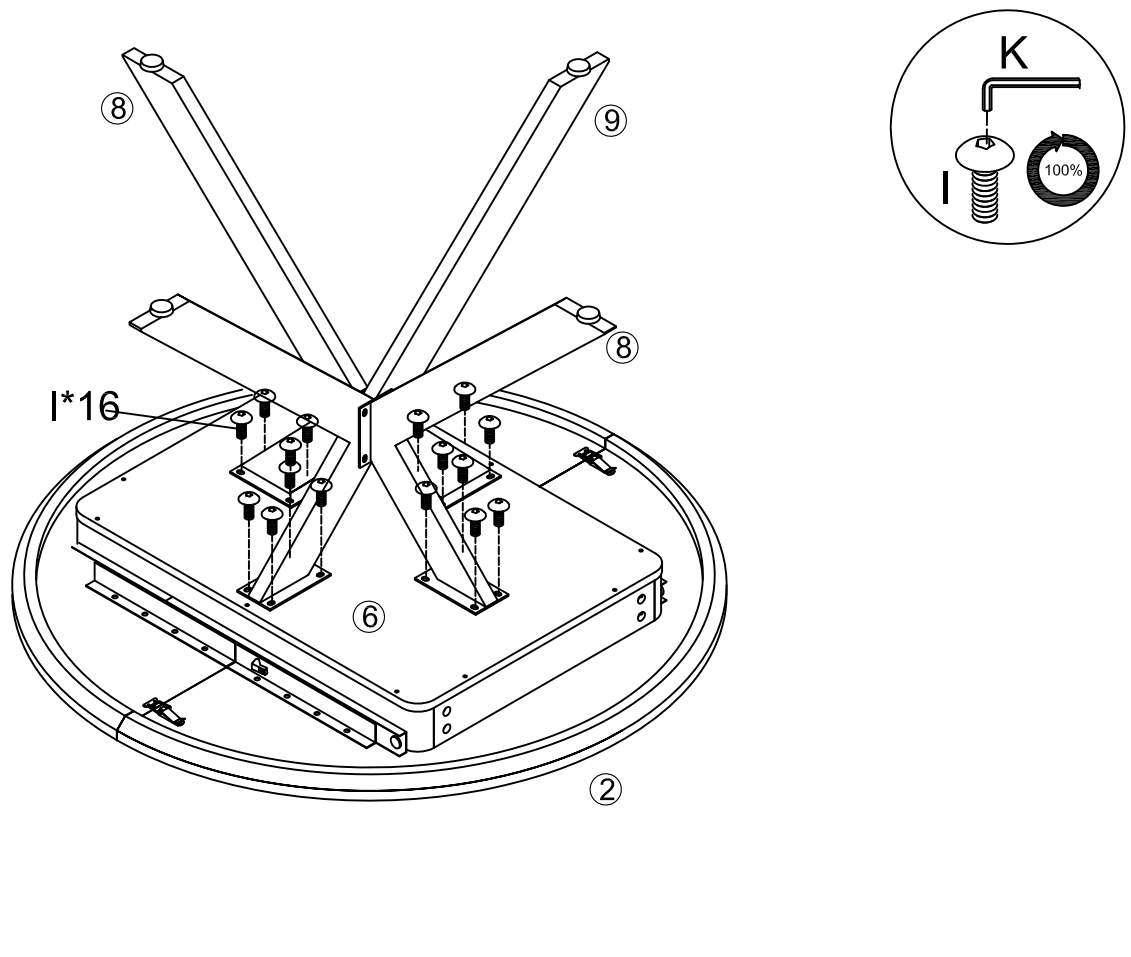
I	J	K
		
M6*12mm Bolt	Ø35mm Adjustable Foot	4mm Allen Key
8pcs	4pcs	1pc

7. Attach the legs to the bottom panel

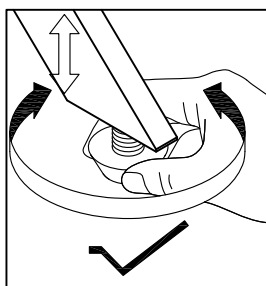
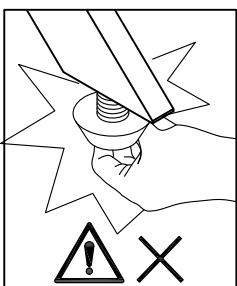
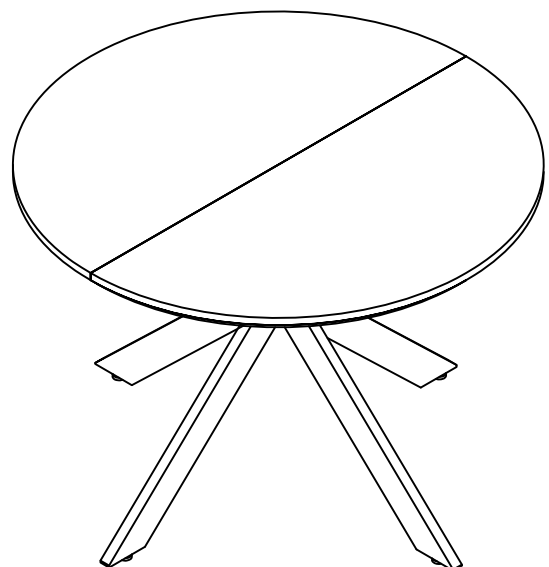


I	K
	
M6*12mm Bolt	4mm Allen Key
16pcs	1pc

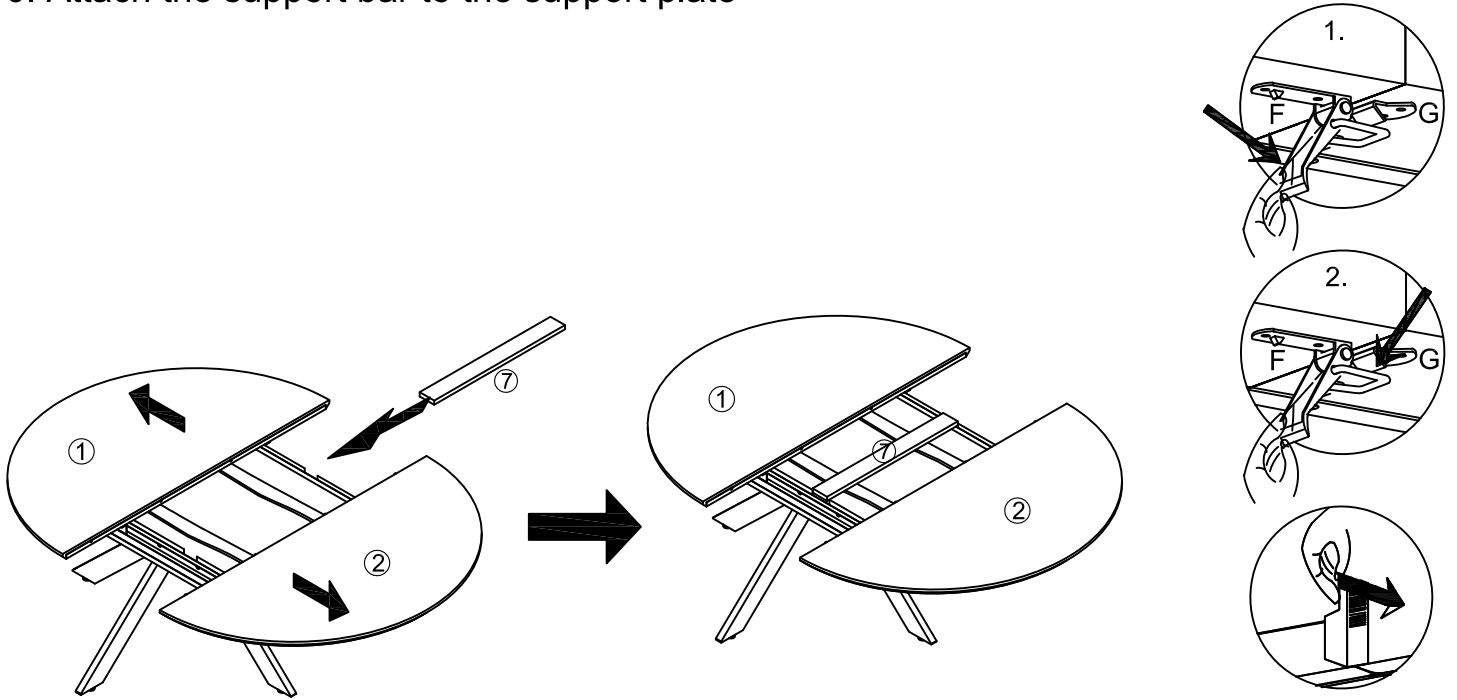
8. Lock the screws



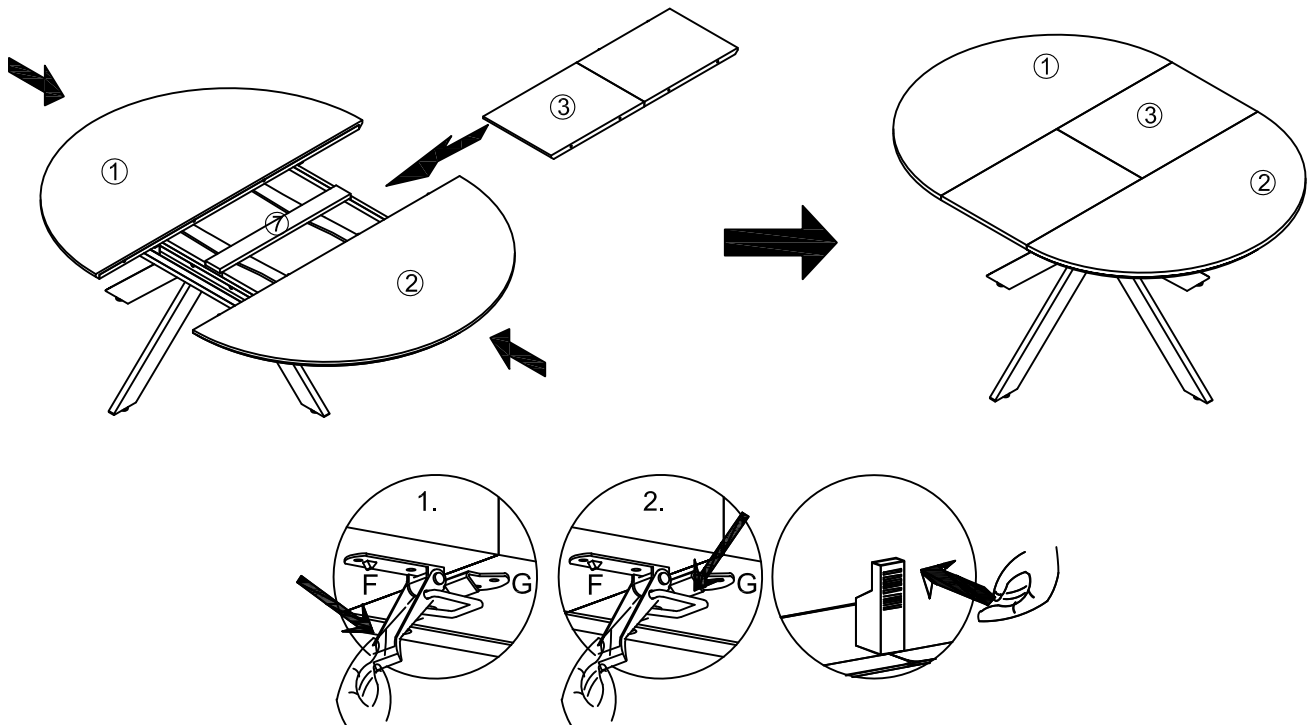
9. Adjust the height



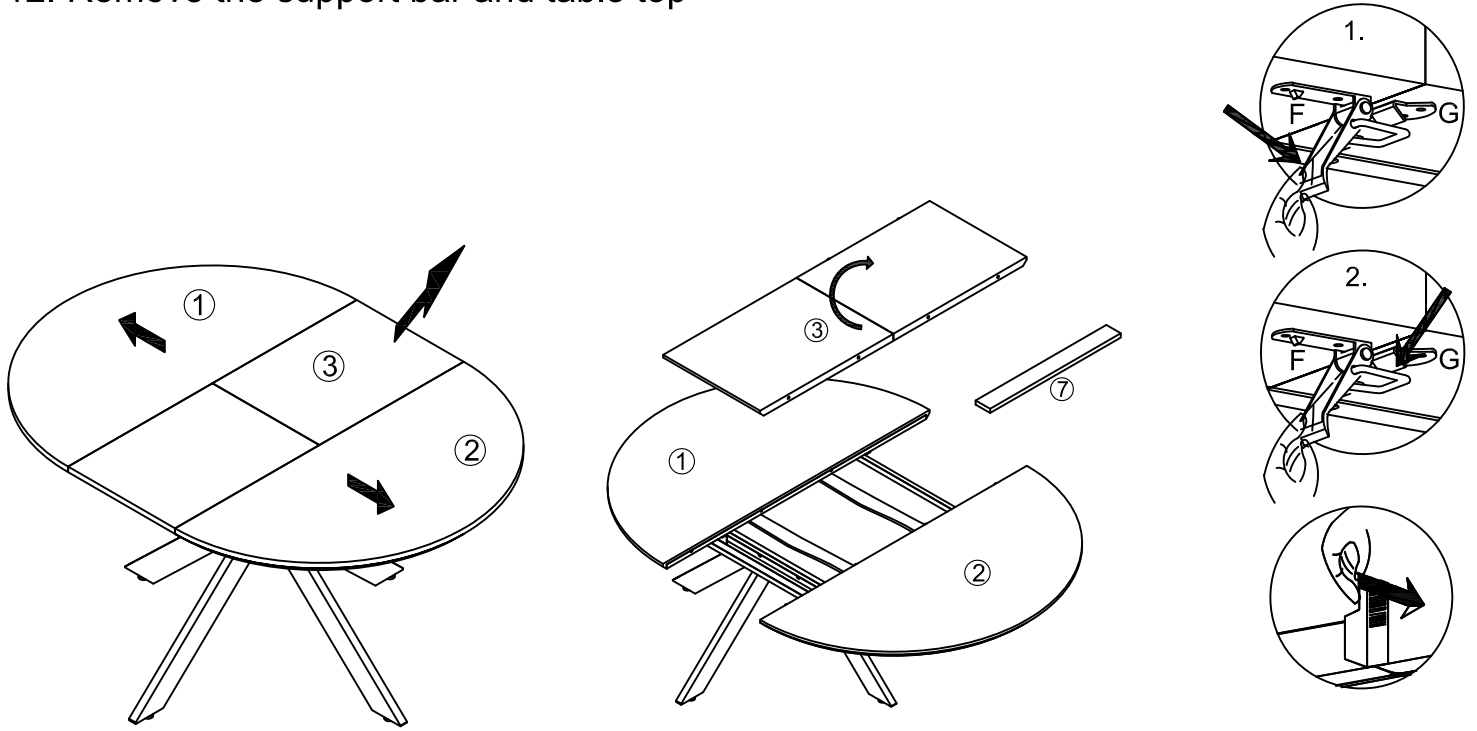
10. Attach the support bar to the support plate



11. Attach the table top to the support bar



12. Remove the support bar and table top



13. Put away the support bar and table top

