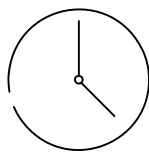
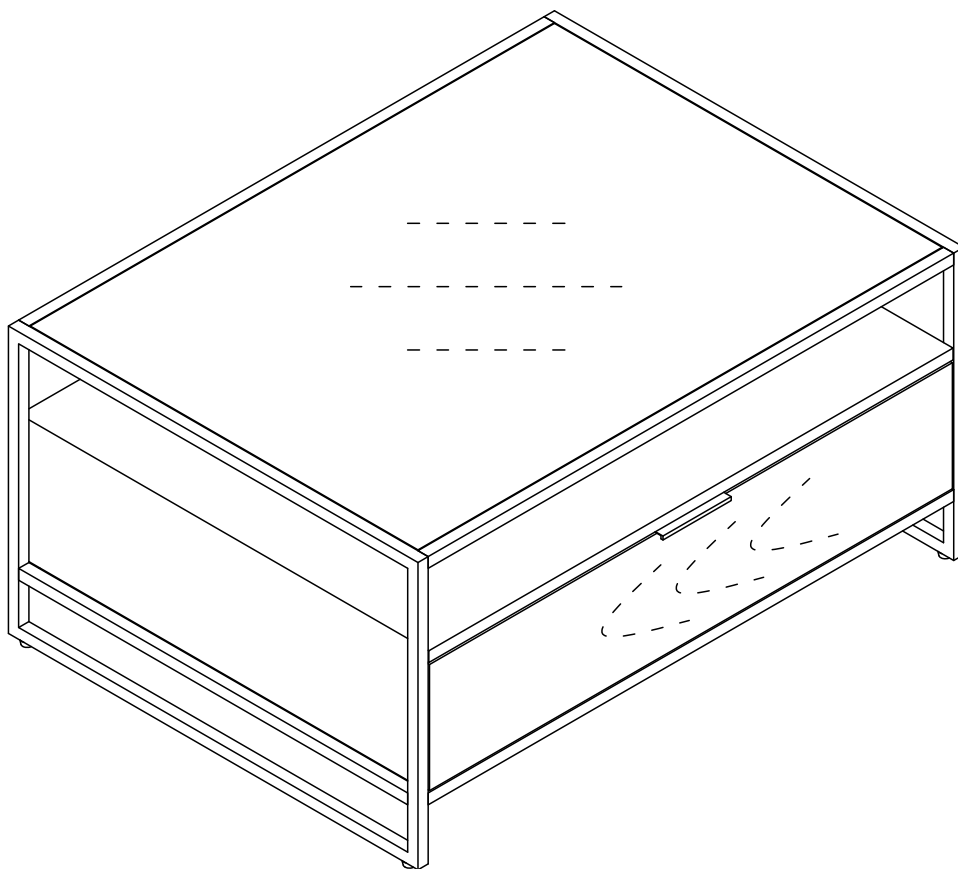
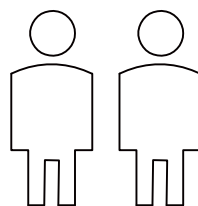


Glass Coffee Table (with Drawers)



Up to 20 minutes
approx assembly
time



Two person
assembly

Important

Assembly Tip

Before you begin, we advise laying everything out on a clean and soft level surface to avoid damaging the unit or your floor. It's best to identify all of the parts and fittings to build your bedside table, and to familiarise yourself with all of the parts and fittings before building.

Top Tip

We recommend that you build your new coffee table in the room you'd like it to be located. This will help prevent any risk of damage to the product whilst moving it.

Safety and Care

1. It's important to ensure children and animals are kept away from the assembly area, as there are small components used in this coffee table which could present a choking hazard. All plastic and wrapping materials should also be kept away from children and animals to prevent any risk of suffocation.
2. Do not stand on your product.
3. Always use the item on firm level ground, ensuring all legs remain in contact with the ground.
4. Do not set TV or other heavy objects on top of the product.
5. Children should always be under supervision whilst using this product. Never allow children to climb on the coffee table and drawer.
6. Serious or fatal crushing injuries can occur from tipping furniture.

Help and Support

Please contact our customer service team on 0113 519 0311 if you have any questions or issues with your purchase.

Recycling

Please ensure that packaging is disposed of in a safe and environmentally friendly way, and recycle where possible. Please keep your assembly instructions safe to refer back to in the future.




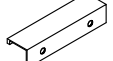
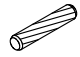


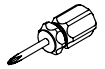


Care and Maintenance

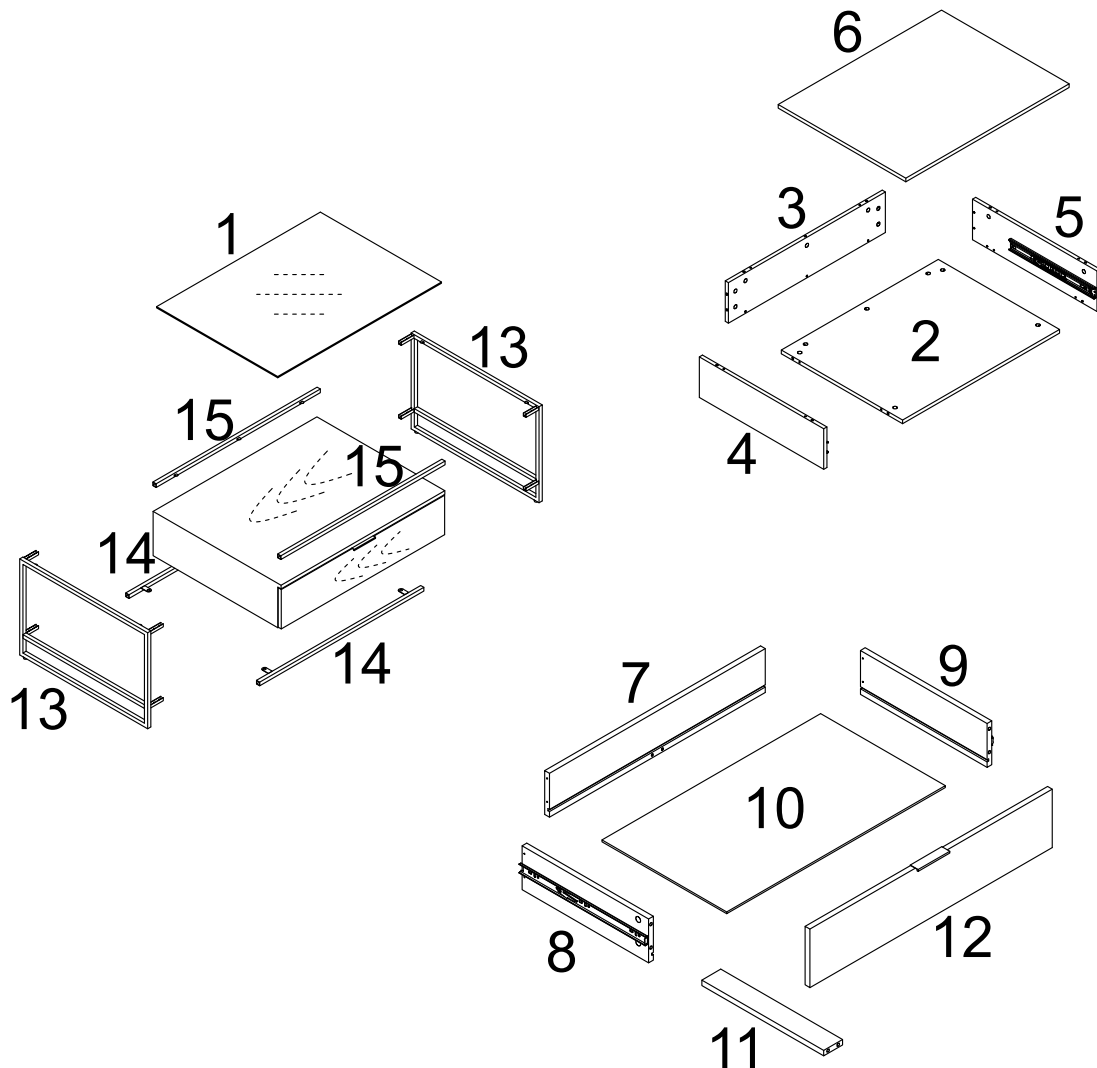
1. Only clean using a damp cloth, do not use bleach or abrasive cleaners as they may damage the finish over time.
2. Do not scrub or rub the surface when cleaning.
3. Do not drag the coffee table when moving, lift it off the floor instead.
4. Use a placemat or a coaster when putting hot items (e.g. hot drinks and dishes) on the surface.
5. It is not recommended to place the item next to sources of heat such as radiators, fires or directly exposed to sunlight. This may cause wood and the base support to crack, split or fade due to the change of the humidity and temperature.
6. Regularly check all fixings to ensure none have come loose. Re-tighten if necessary.
7. Avoid sharp items such as a screwdriver or any pointy tools.
8. Caution: This product contains glass.
9. Max weight loading capacity 30kg.

Parts

Before you begin building your table, please take a moment to read through the instructions and make sure that you have all the relevant parts listed on the parts check list.

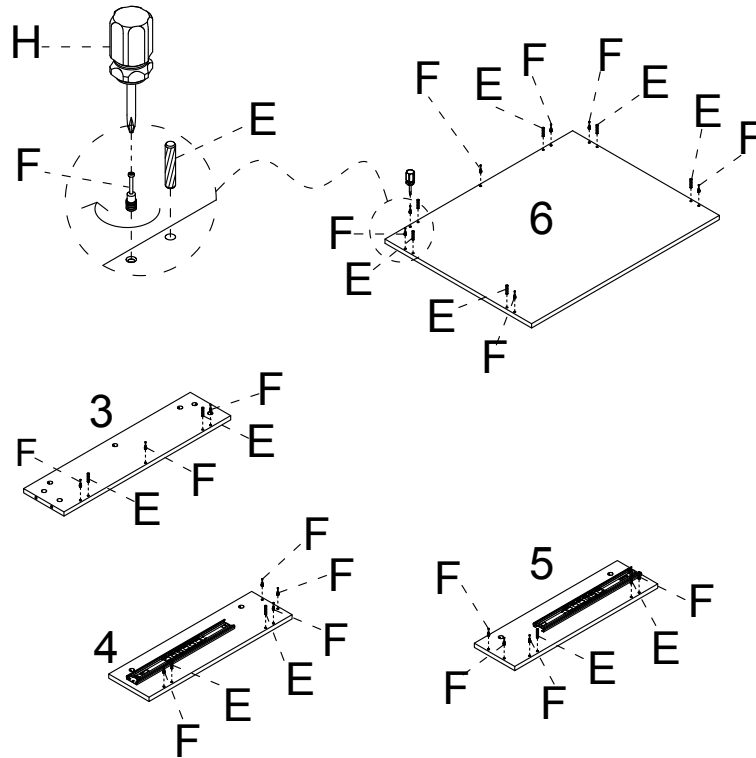
Part	Description	Qty
1	Glass top	1 pc
2	Cabinet bottom panel	1 pc
3	Cabinet back panel	1 pc
4	Cabinet left side panel	1 pc
5	Cabinet right side panel	1 pc
6	Cabinet top panel	1 pc
7	Drawer back panel	1 pc
8	Drawer left side panel	1 pc
9	Drawer right side panel	1 pc
10	Drawer bottom panel	1 pc
11	Drawer center support bar	1 pc
12	Drawer front panel	1 pc
13	Base support frame	2 pcs
14	Base support bar	2 pcs
15	Base support bar	2 pcs

A  M6*12mm Bolt 4 pcs(+1)	B  M5*8mm Bolt 16 pcs(+1)	C  M4 allen key 1 pc	D  Drawer handle 1 pc
E  Wooden dowel 12 pcs(+1)	F  Cam lock screw 26 pcs(+1)	G  Cam lock 26 pcs(+1)	H  Screwdriver 1 pc
J  M4*30mm screw 4 pcs	K  M4*10mm screw 2 pcs		



Step 1:

Fit 18x cam lock screws (F) and 12x wooden dowels (E) to part 3, 4, 5 and 6.



E



Wooden dowel
12 pcs

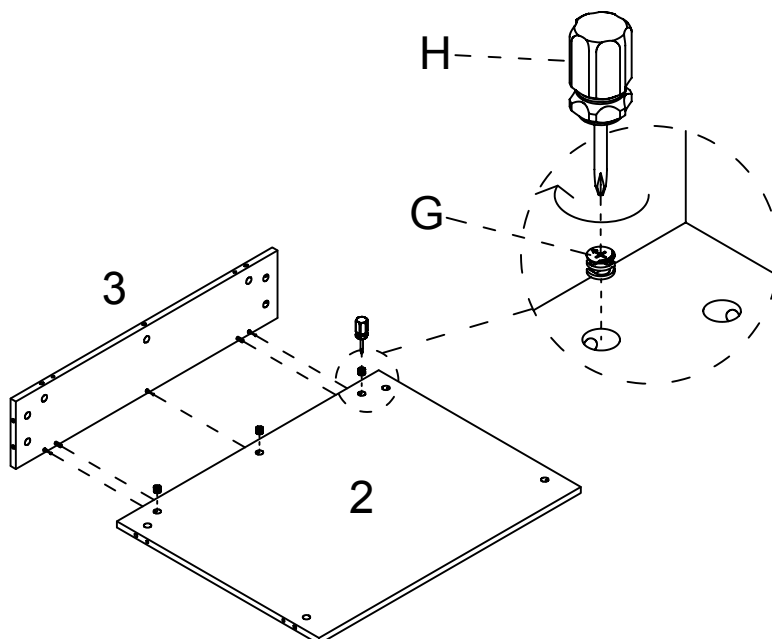
F



Cam lock screw
18 pcs

Step 2:

Attach the cabinet back panel (3) to the cabinet bottom panel (2), fastening by 3x cam lock (G).



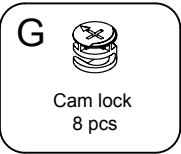
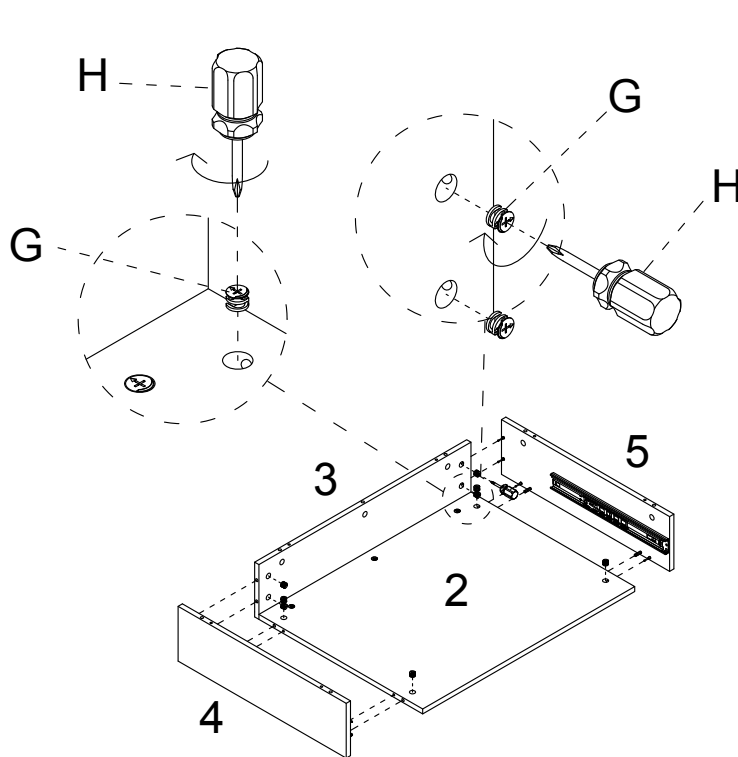
G



Cam lock
3 pcs

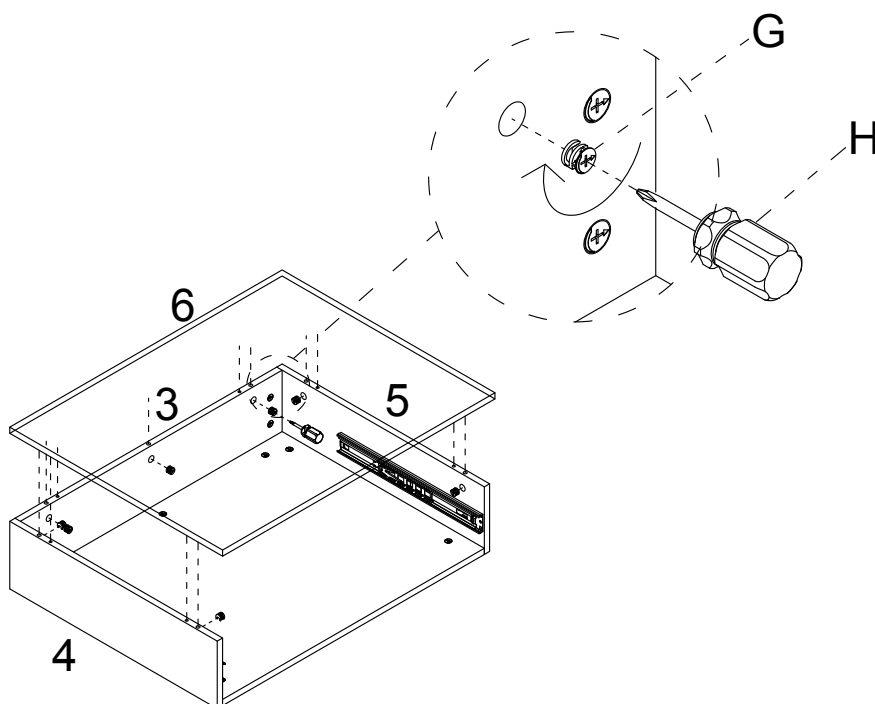
Step 3:

Attach the left side panel (4) and the right side panel (5) of the cabinet to the bottom panel (2) and back panel (3), fastening by 8x cam lock (G).



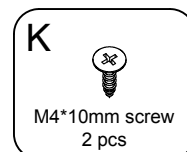
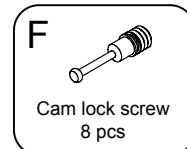
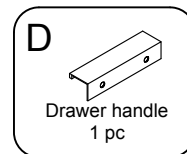
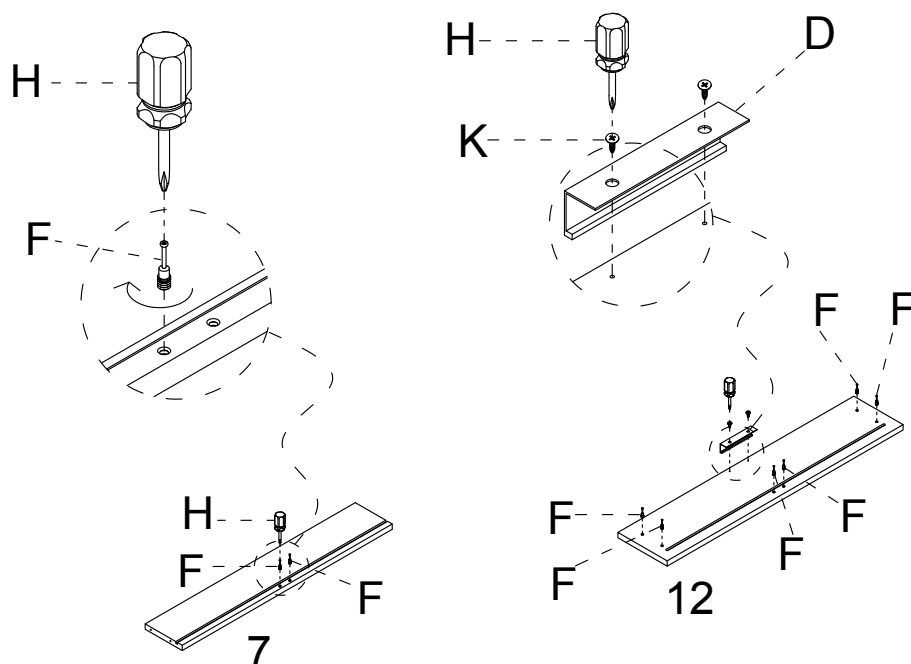
Step 4:

Attach the cabinet top panel (6) to the back panel (3) and two side panels (4, 5), fastening by 7x cam lock (G).



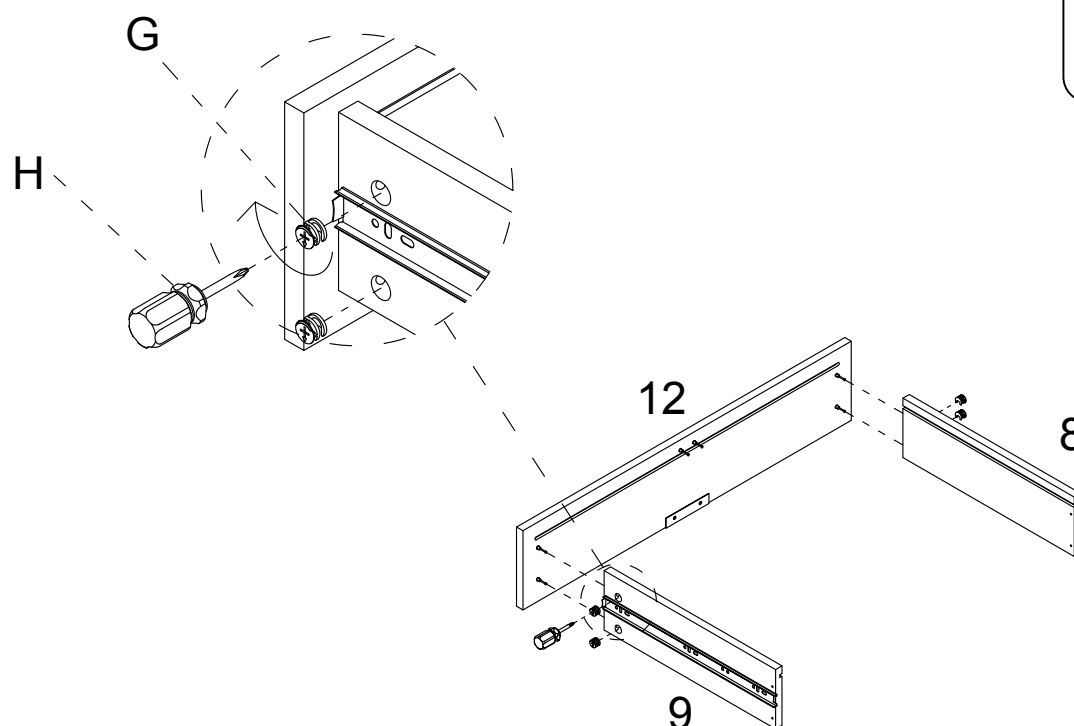
Step 5:

Fit 8x cam lock screws (F) to drawer part 7 and 12. Attach drawer handle (D) to part 12, fastening by 2x screw (K).



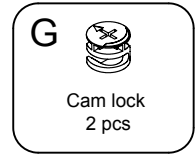
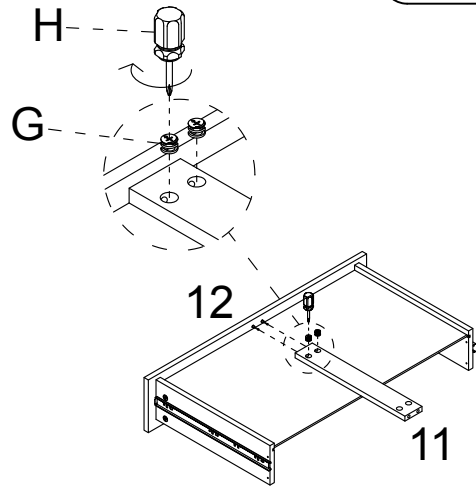
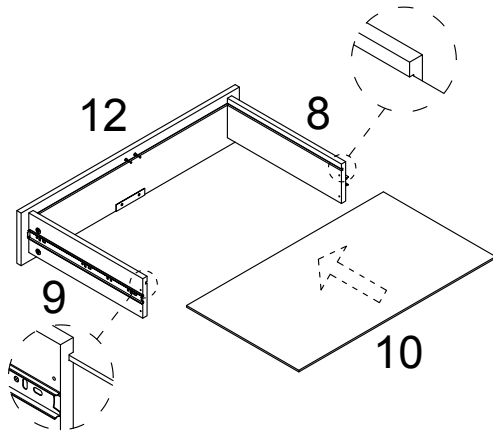
Step 6:

Attach drawer side panels (8, 9) to front panel (12) with 4x cam lock (G).



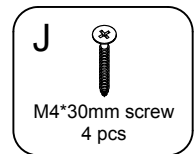
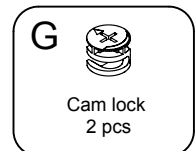
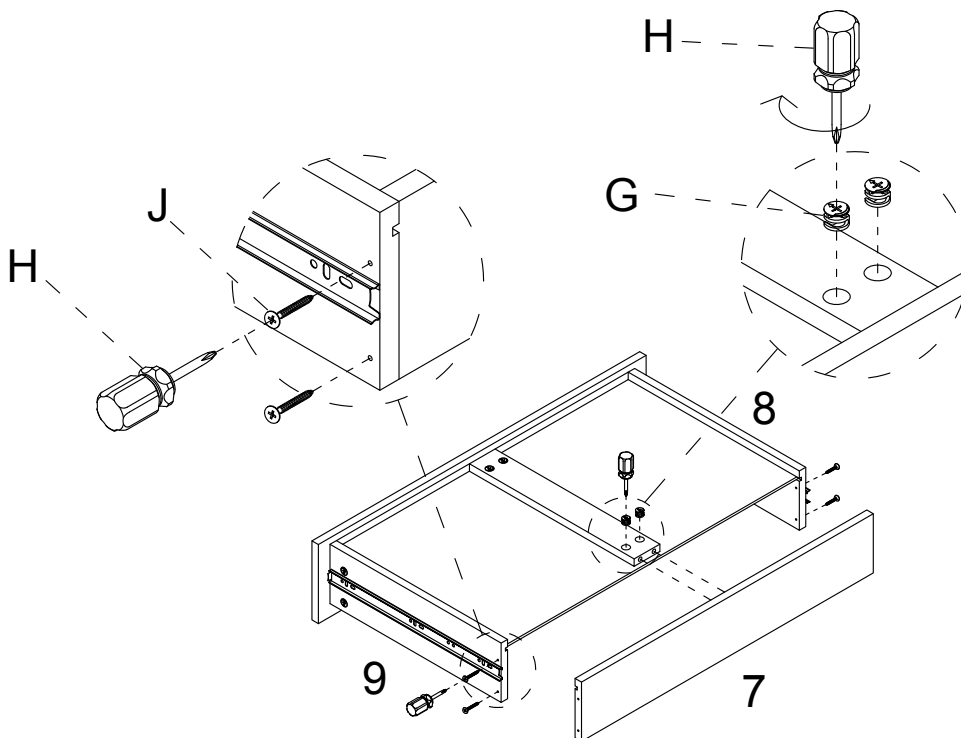
Step 7:

Insert the drawer bottom panel (10) and attach the center support bar (11) to drawer front panel (12), fastening by 2x cam lock (G).



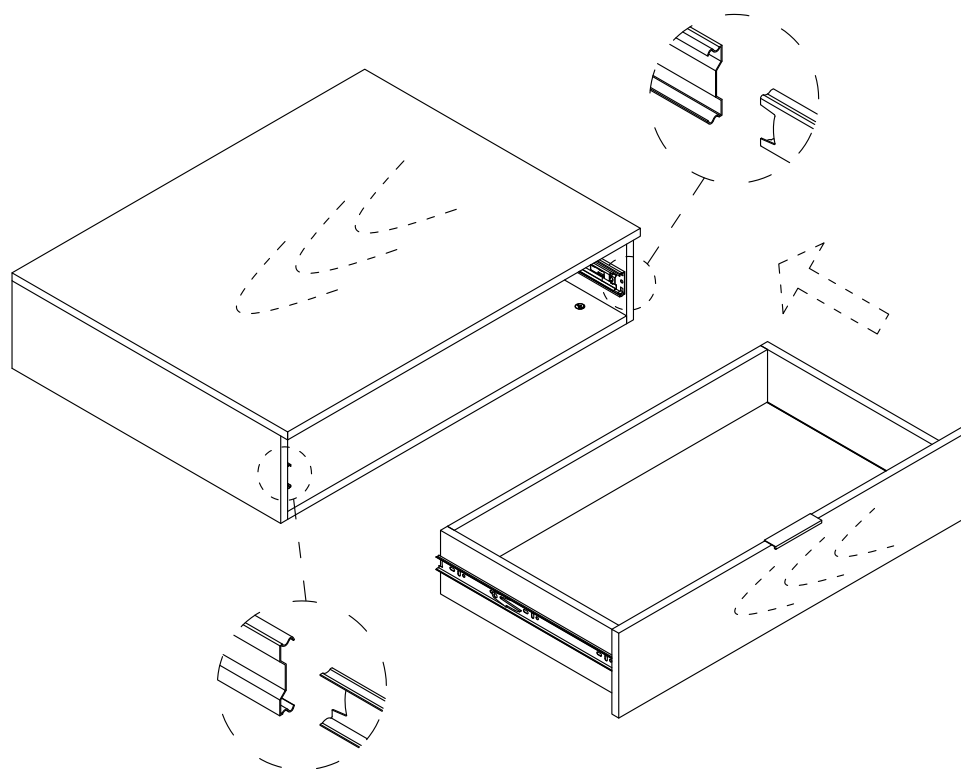
Step 8:

Attach drawer back panel (7) to part 8 and 9 with 2x cam lock (G) and 4x screw (J).



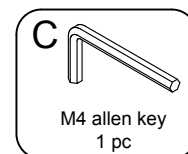
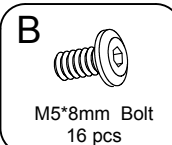
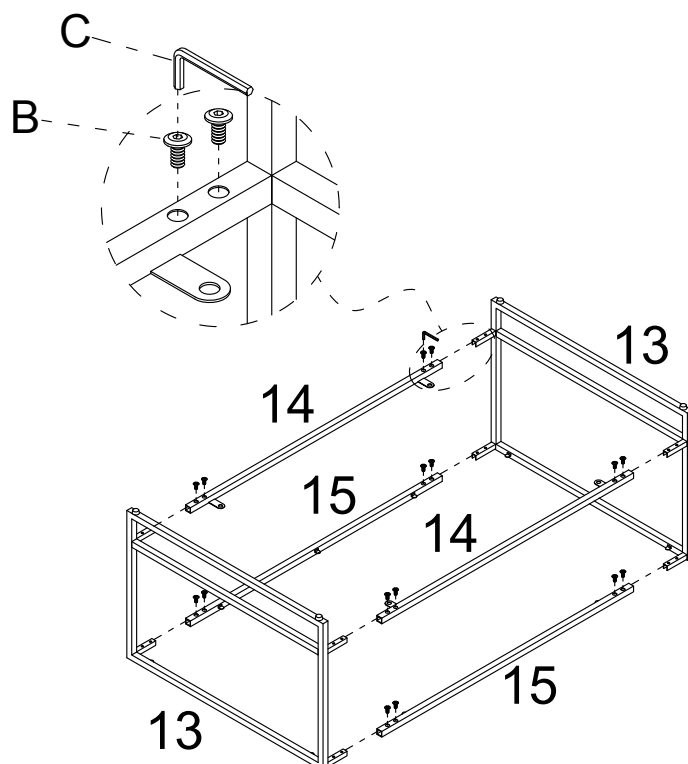
Step 9:

Slide the drawer into the completed cabinet.



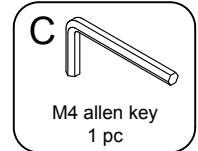
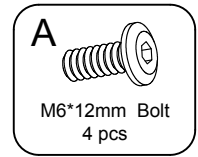
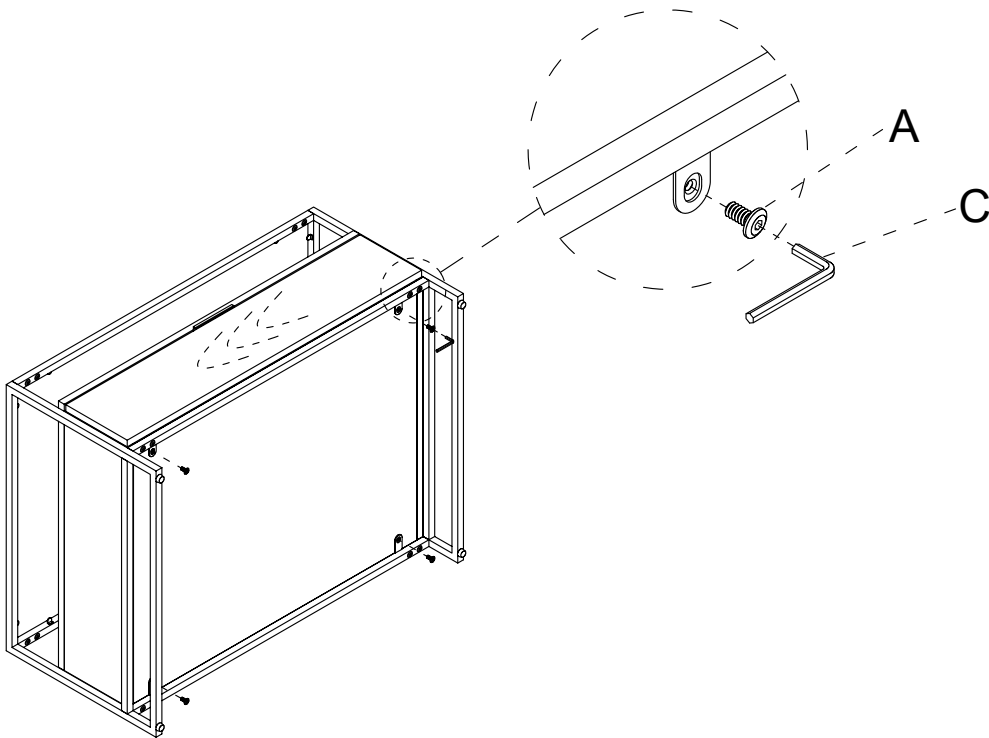
Step 10:

Flip the base support frame (13), 2x base support bar (15) and 2x base support bar (14) upside down and fasten by 16x bolt (B).



Step 11:

Flip the completed drawer upright to fit it into the frame, securing it with 4x M6 bolts (A).



Step 12:

Flip the glass top (1) to complete the frame.

