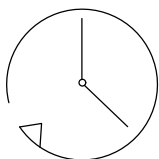
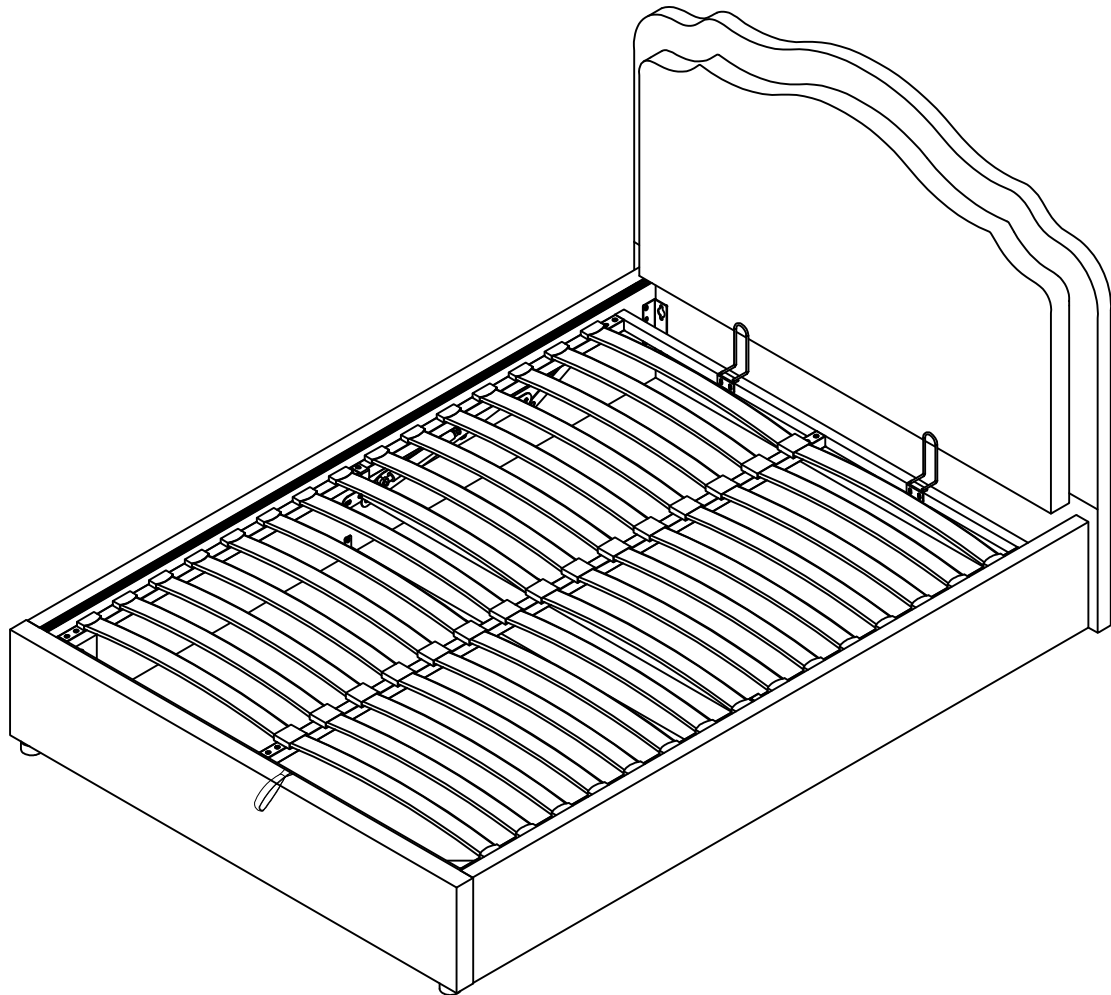
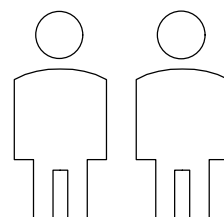


Wiltshire Ottoman Bed Frame Double



Up to 2 hours assembly time



Two person assembly

Important

Assembly Tip

Before you begin, it's best to identify all of the parts and fittings to build your ottoman bed frame. We advise laying these out on the floor to check you have everything, and to familiarise yourself with all of the parts and fittings before building.

Top Tip

We recommend that you build your new ottoman bed frame in the room you'd like it to be located. This will help prevent any risk of damage to the frame whilst moving it.

Safety and Care

It's important to ensure children and animals are kept away from the assembly area. as there are small components used in this bed frame which could present a choking hazard. All plastic and wrapping materials should also be kept away from children and animals to prevent any risk of suffocation.

Help and Support

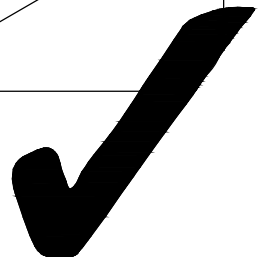
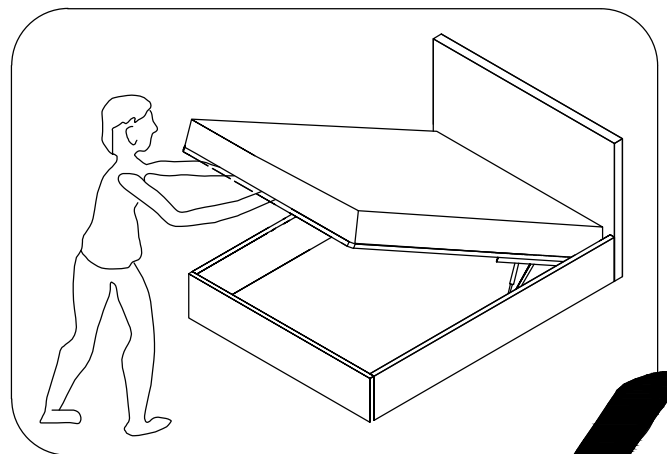
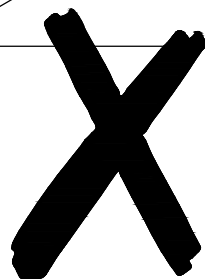
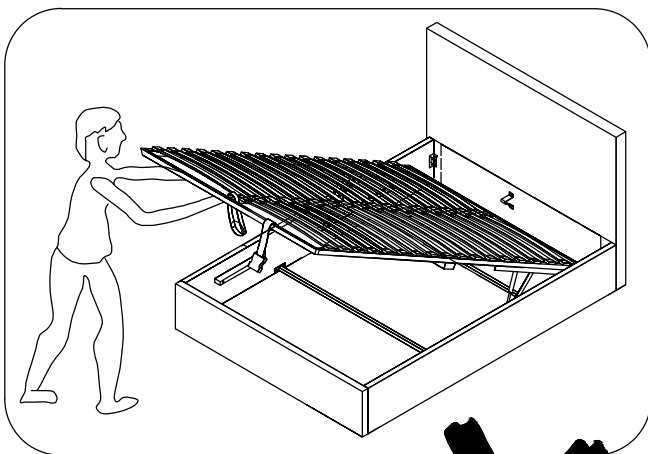
Please contact our customer service team on 0113 519 0311 if you have any questions or issues with your purchase.

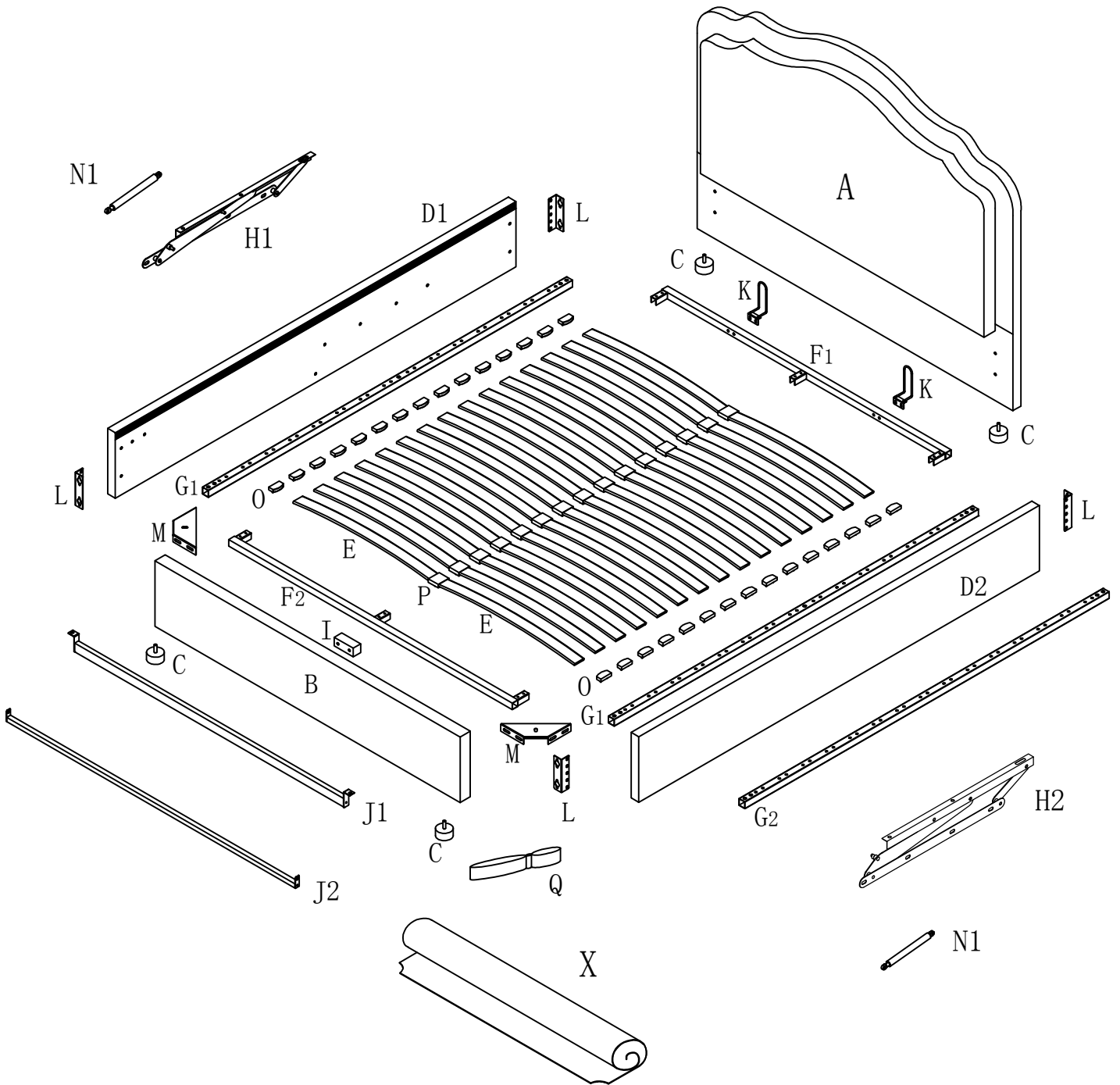
Recycling

Please ensure that packaging is disposed of in a safe and environmentally friendly way, and recycle where possible. Please keep your assembly instructions safe to refer back to in the future.

Operating Your Ottoman Bed Frame Safely

- Caution, this ottoman bed frame uses a pressurised mechanism.
- Please ensure children and animals are kept away from the ottoman bed frame when operating the mechanism.
- Use caution when operating, and always use two hands at arm's length.
- You must always ensure the mattress is on the ottoman bed frame before lifting the mechanism. Failure to do so may result in injury or damage to the mechanism.
- If removing the mattress, make sure the ottoman bed frame is secured as it could flip open.
- Only use the storage compartment when the ottoman bed frame is fully in the upright position.
- Do not remain on the ottoman bed frame whilst the lifting mechanism is in use. Beware of entrapment. Keep both hands clear of the mechanism when operating
- When lifting the ottoman bed frame, remove all bedding except the fitted sheet.
- Always use the strap to lift or lower the ottoman metal frame. Close the ottoman metal frame by pushing down firmly with both hands towards the centre of the bed frame with pressure.
- No children or animals should be left unattended when the ottoman bed frame is in the upright position.
- When fully assembled, raise and lower the ottoman metal frame 4/5 times to ensure the gas pistons are fully lubricated.
- Ensure to re-tighten all nuts and bolts within the ottoman bed frame after the first two weeks of use.

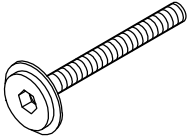
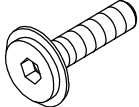
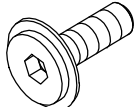

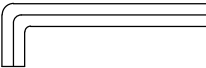
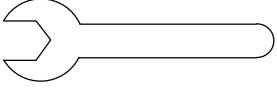




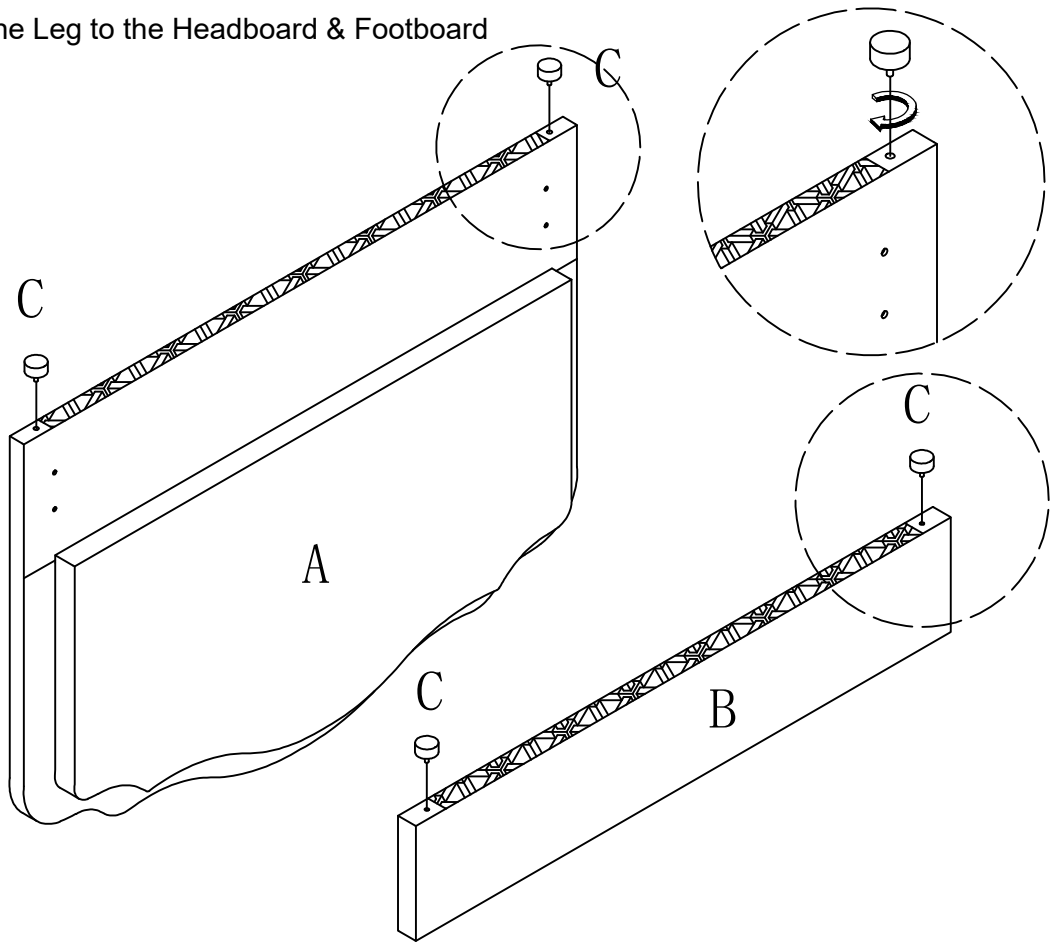
Parts Check list

No.	Parts List	Qty	Box No	No.		Qty	Box No
A	Headboard	1PC	Box 1	Q	Hand strap	1PC	Box 1
X	Non-woven Fabric	1PC	Box 1	O	Plastic cap	30PCS+2extra	Box 1
B	Footboard	1PC	Box 1	P	Plastic caps	15PCS+2extra	Box 1
H1	Left lift Mechanism	1PC	Box 1	D1	Left Side Panel	1PC	Box 2
H2	Right lift Mechanism	1PC	Box 1	D2	Right Side Panel	1PC	Box 2
N1	Hydraulic rod	2PCS	Box 1	F1	Front Ottoman Metal Rail	1PC	Box 2
L	Connector	4PCS	Box 1	F2	Back Ottoman Metal Rail	1PC	Box 2
C	Leg	4PCS	Box 1	G1	Side Ottoman Tube	2PCS	Box 2
K	Mattress Support	2PCS	Box 1	G2	Middle Ottoman Rail	1PC	Box 2
I	Plastic block	1PC	Box 1	J1	Cross Rail	1PC	Box 2
M	Triangle connector	2PCS	Box 1	J2	Bar Rail	1PC	Box 2
E	Slat	30PCS	Box 1				



Please check you have all the fittings listed below with your product Box 1

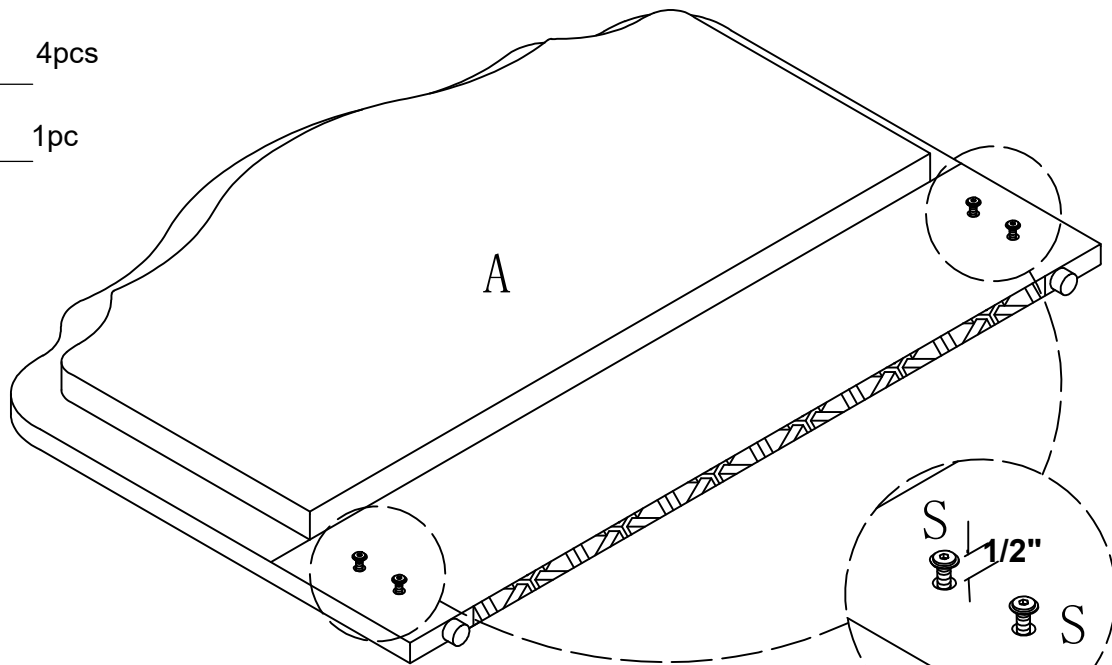
 Ⓡ M8*50mm 2PCS	 Ⓢ M8*30mm 34PCS+4extra	 Ⓣ M8*18mm 24PCS+3extra
 Ⓤ M8 4PCS	 Ⓥ M8 1PC	 Ⓦ M8 1PC

Step 1: Attaching the Leg to the Headboard & Footboard

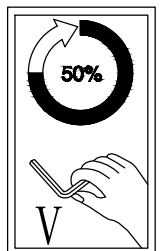


Step 2: Attaching the Bolts to the Headboard

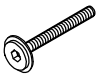
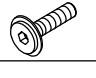

- S  4pcs
- V  1pc

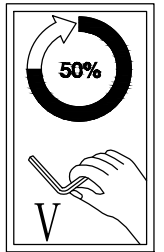
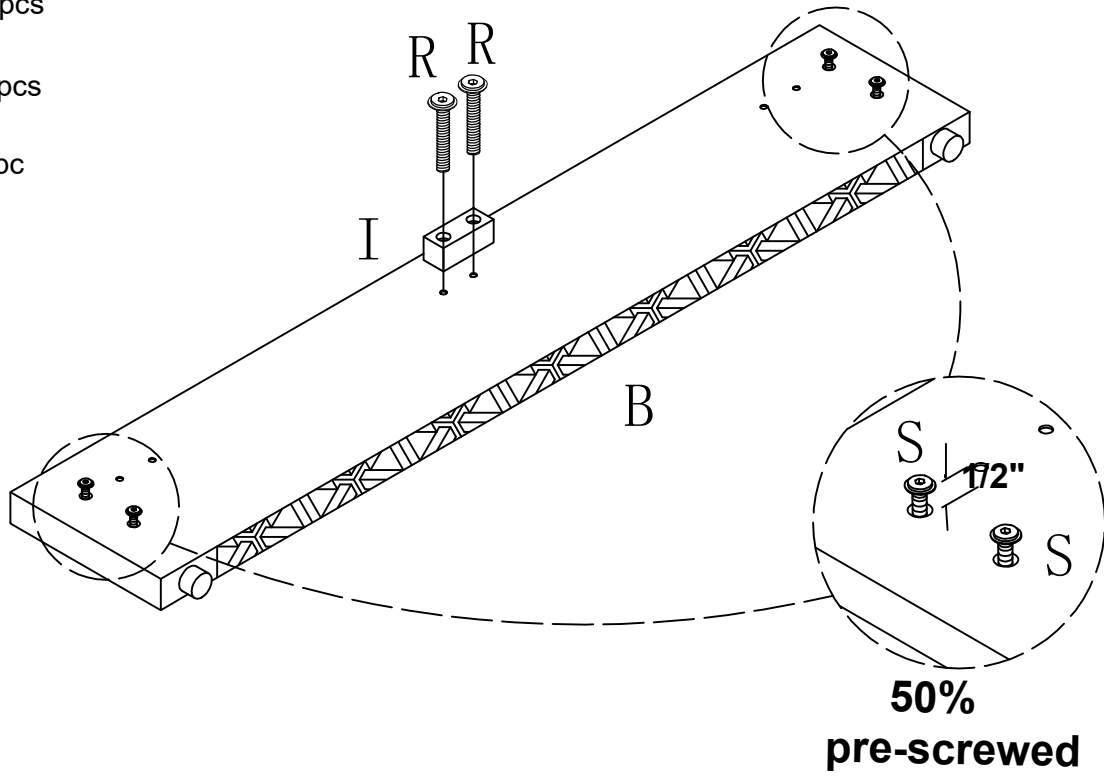


50%
pre-screwed

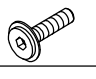



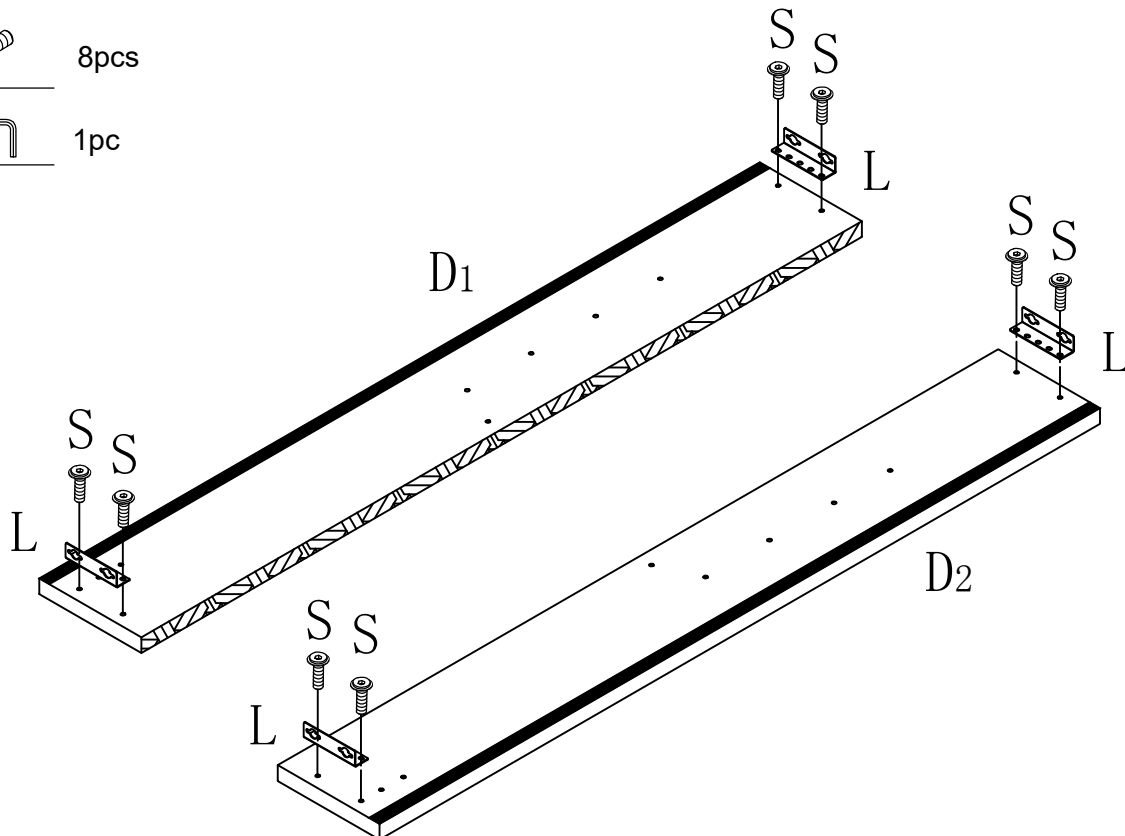
Step 3: Attaching the Bolts and Plastic block to the Footboard

- R  2pcs
- S  4pcs
- V  1pc

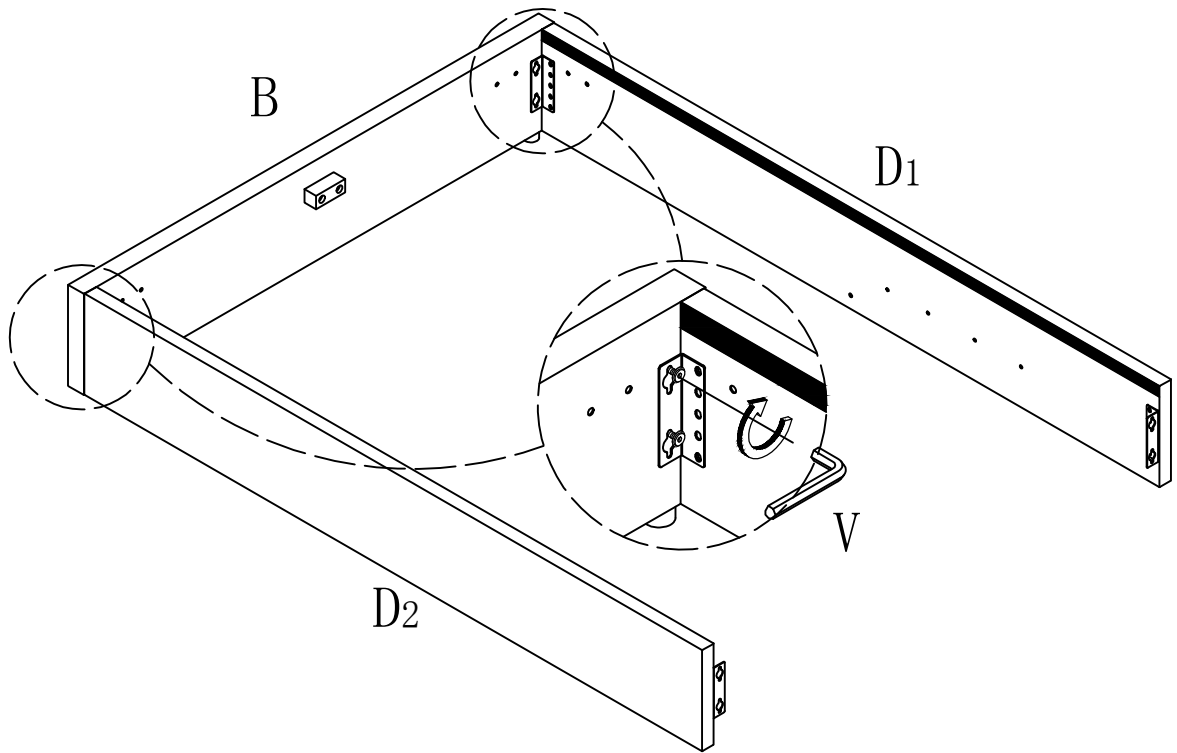


Step 4: Attaching the Connector to the Lift/Right Side Panel

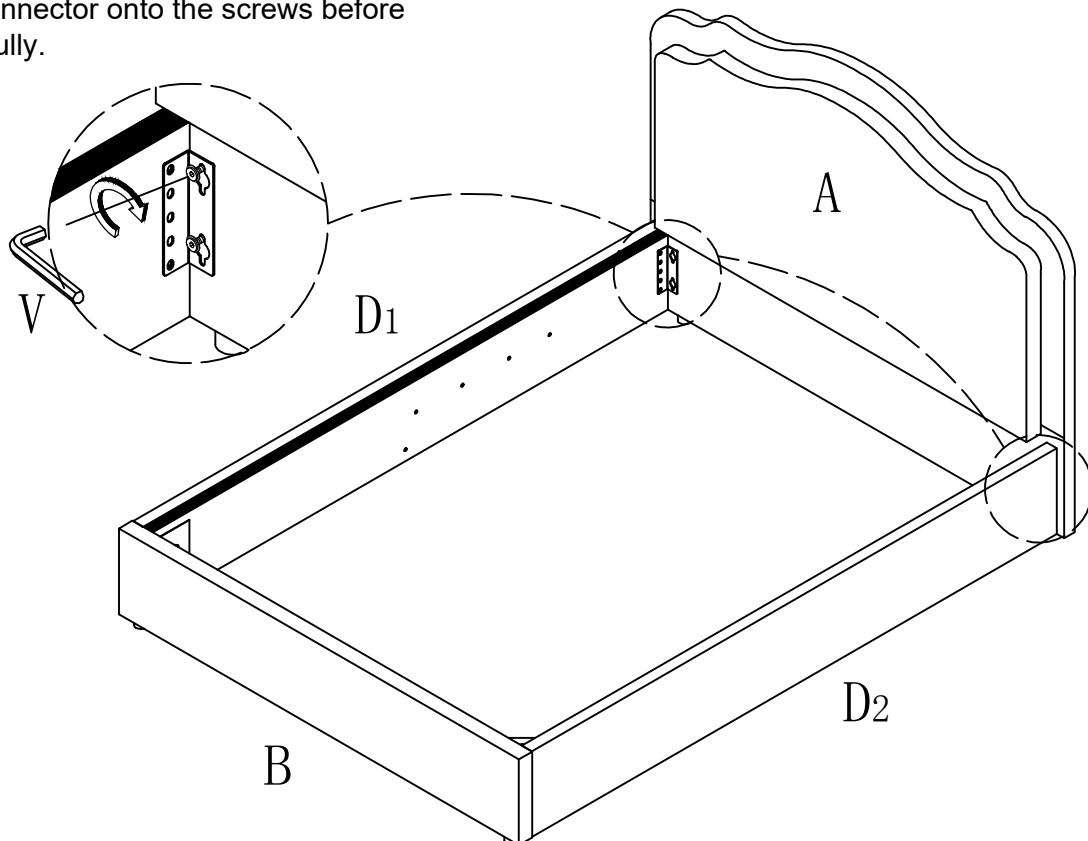
- S  8pcs
- V  1pc



Step 5: Attaching the Left Side Panel and Right Side Panel to the Footboard. hook the Connector onto the screws before tightening fully.




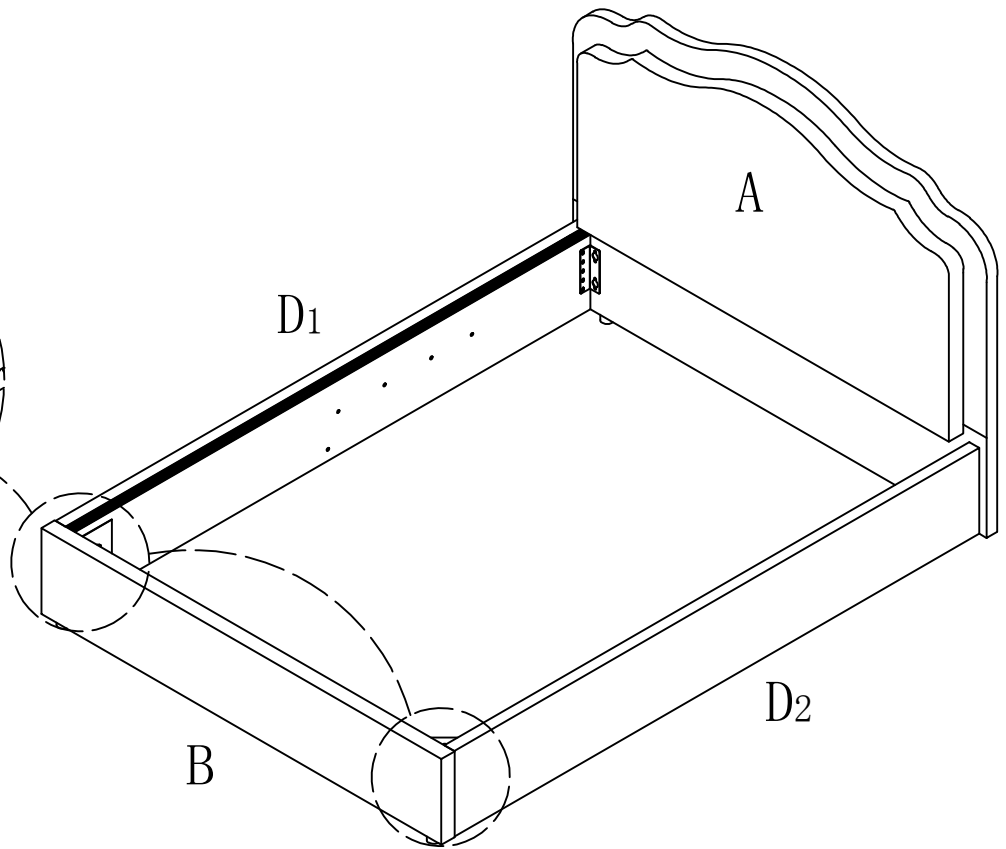
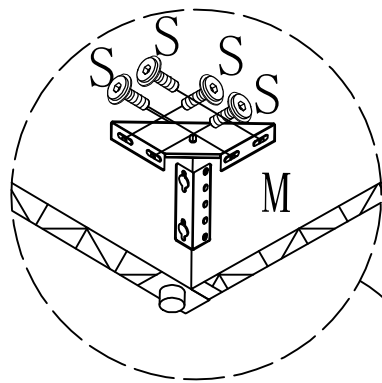
Step 6: Attaching the Left/Right Side Panel to the Headboard, hook the Connector onto the screws before tightening fully.



Step 7: Attaching Triangle connector to the Footboard and Left/Right Side Panel

S  8pcs

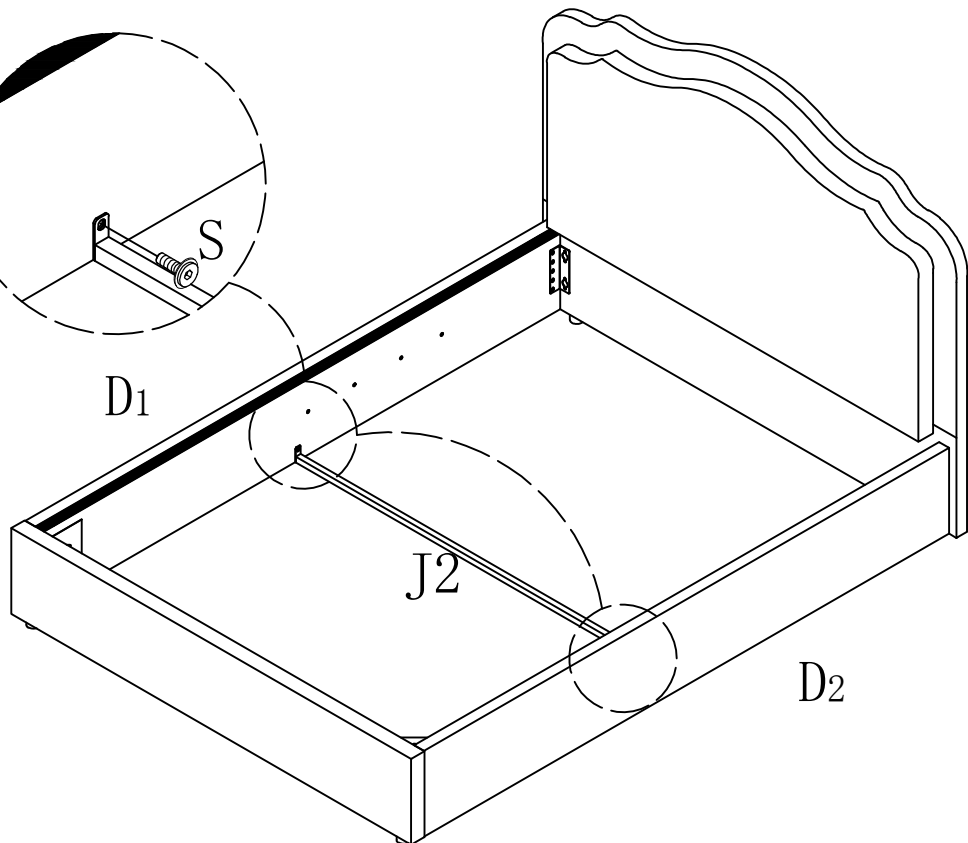
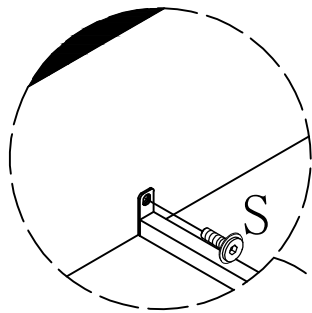
V  1pc



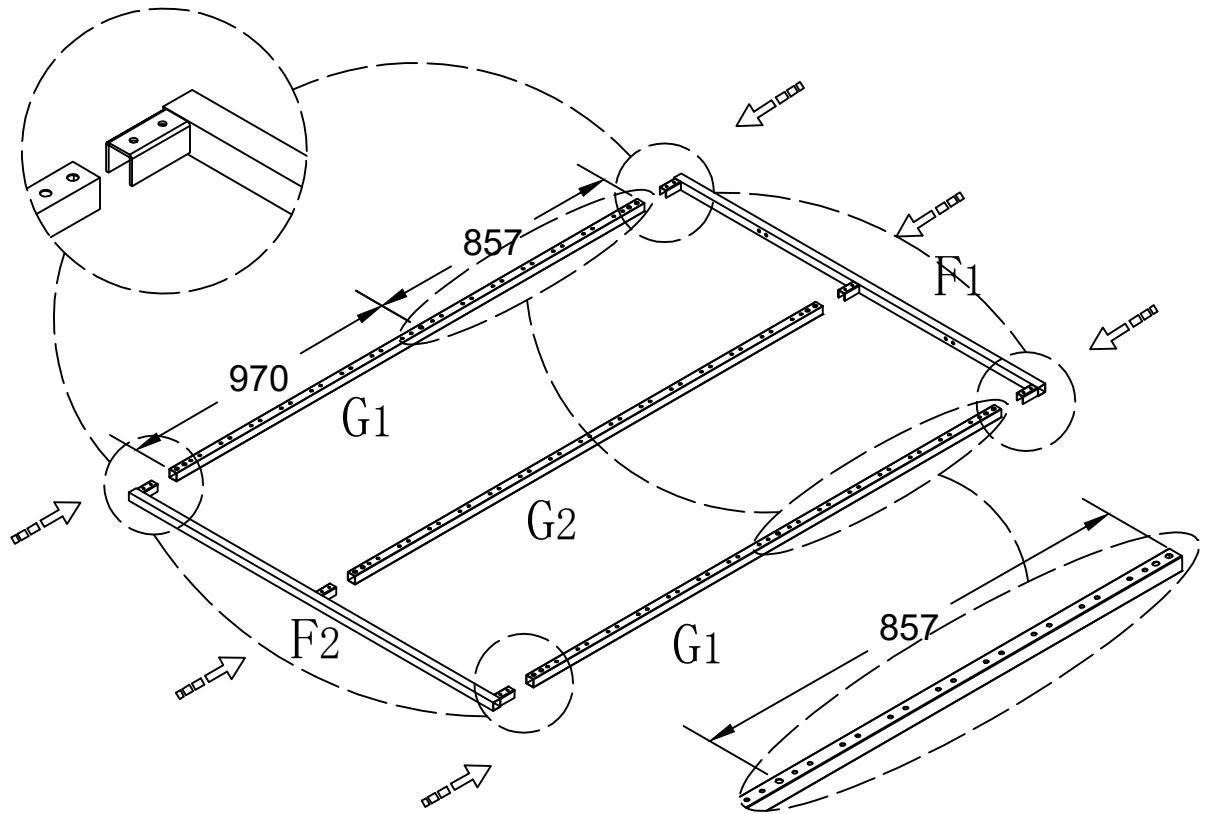
Step 8: Attaching Bar Rail to the Left/Right Side Panel

S  2pcs



V  1pc

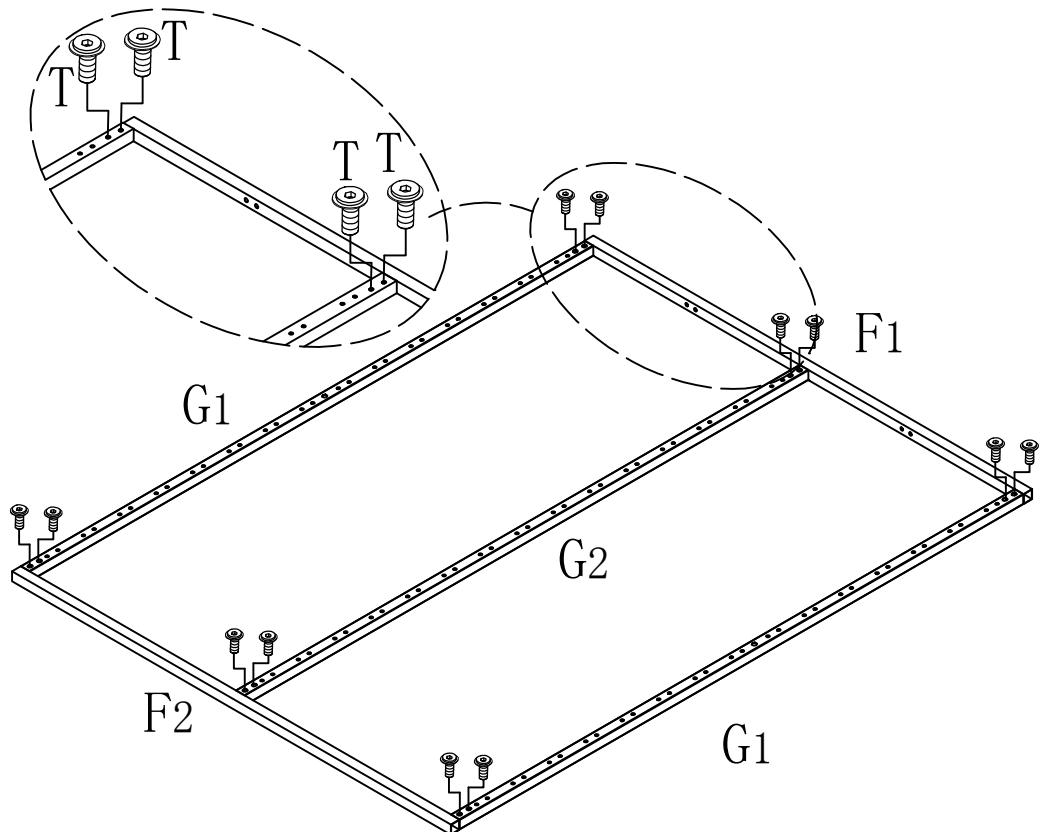


Step 9: Attaching the Side Ottoman Tube & Middle Ottoman Rail to the Front/Back Ottoman Metal Rail





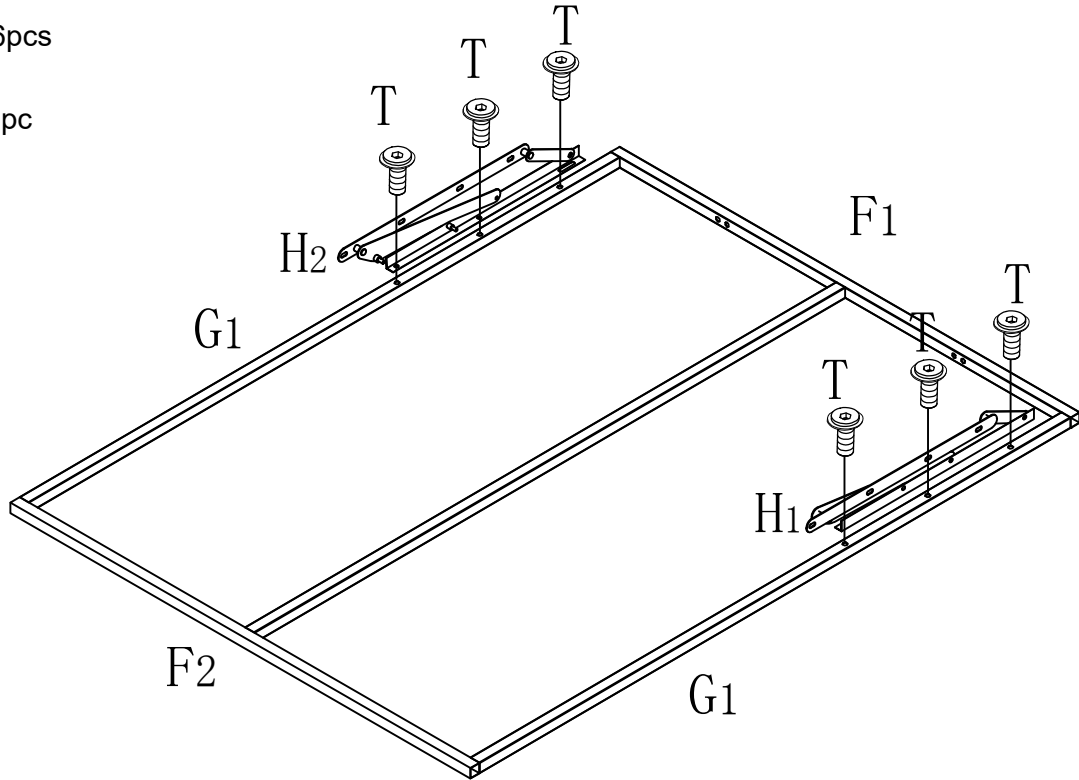
Step 10: Screwing the Side Ottoman Tube & Middle Ottoman Rail to the Front/Back Ottoman Metal Rail

- T  12pcs
- V  1pc

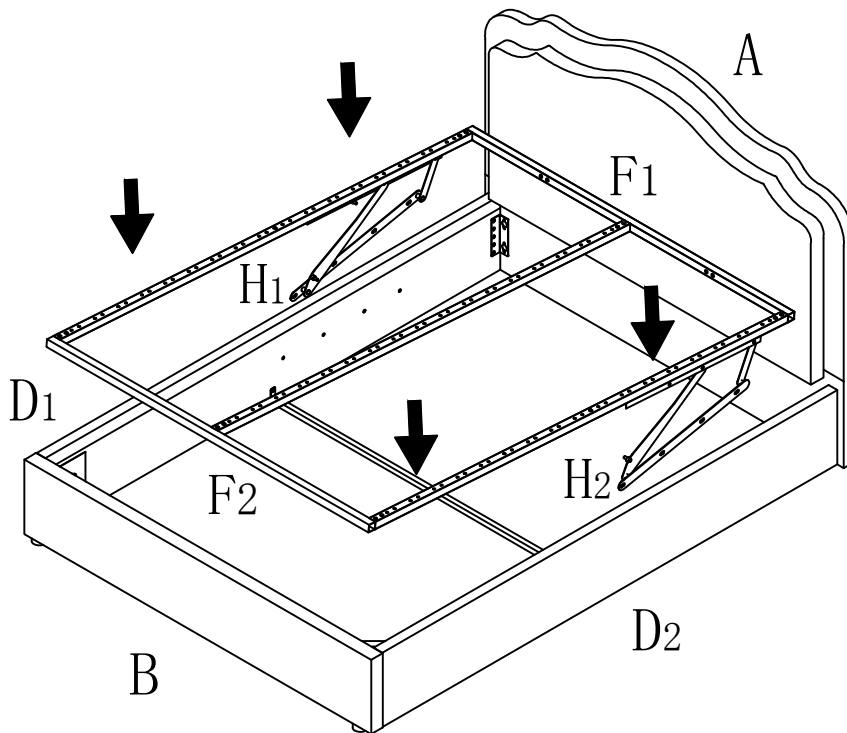


Step 11: Attaching the Left/Right lift Mechanism to the Side Ottoman Tube

- T  6pcs
- V  1pc



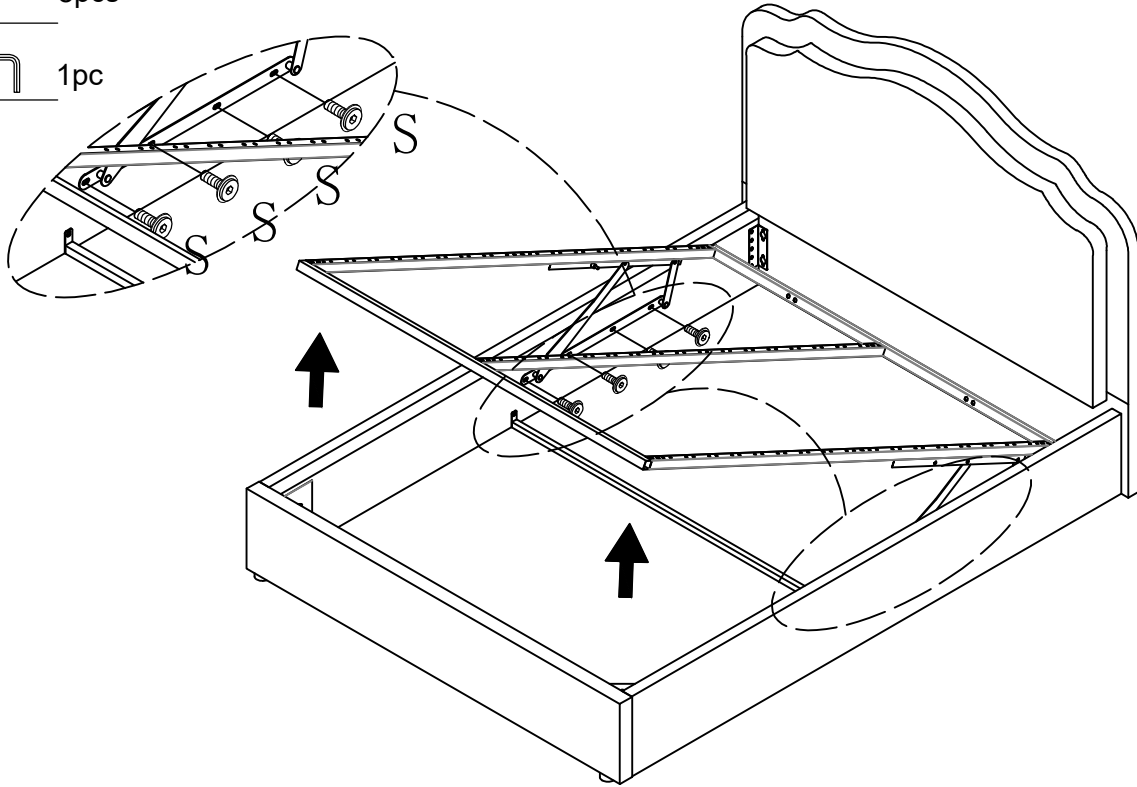
Step 12: Attaching the Side Ottoman Tube (Ottoman Metal Frame) to Left/Right Side Panel



Step 13: Attaching the Left lift Mechanism and Right lift Mechanism to the Left Side Panel and Right Side Panel

S  8pcs

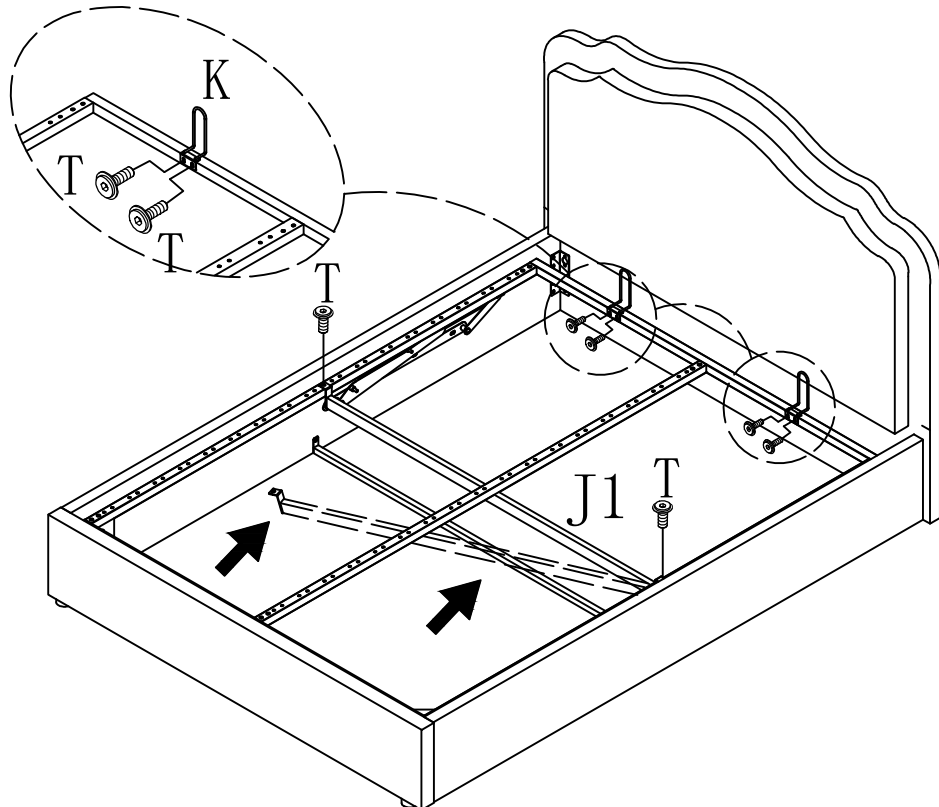
V  1pc



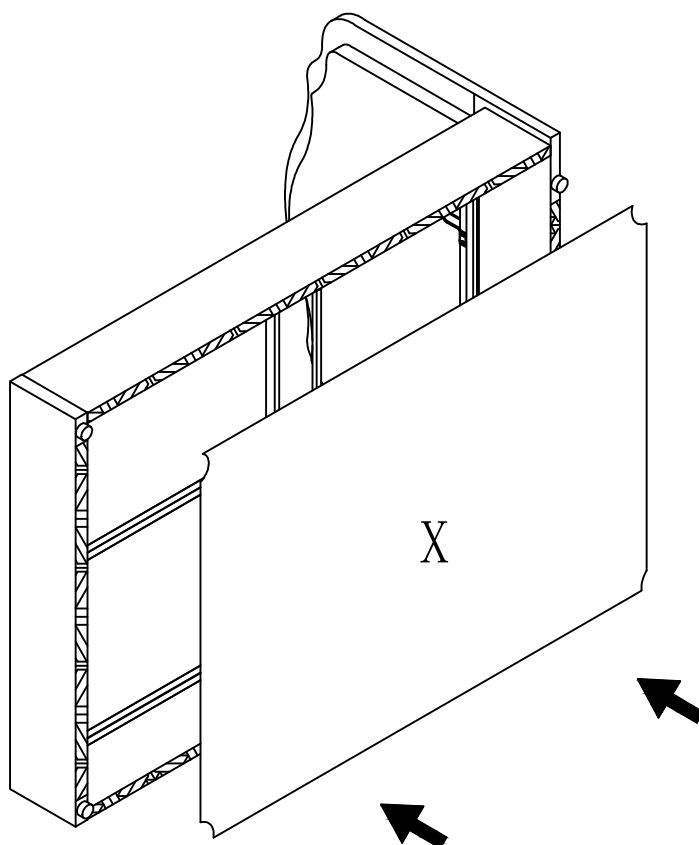
Step 14: Attaching the Mattress Support to the Front Ottoman Metal Rail & Attaching the Cross Rail to the Side Ottoman Tube

T  6pcs

V  1pc



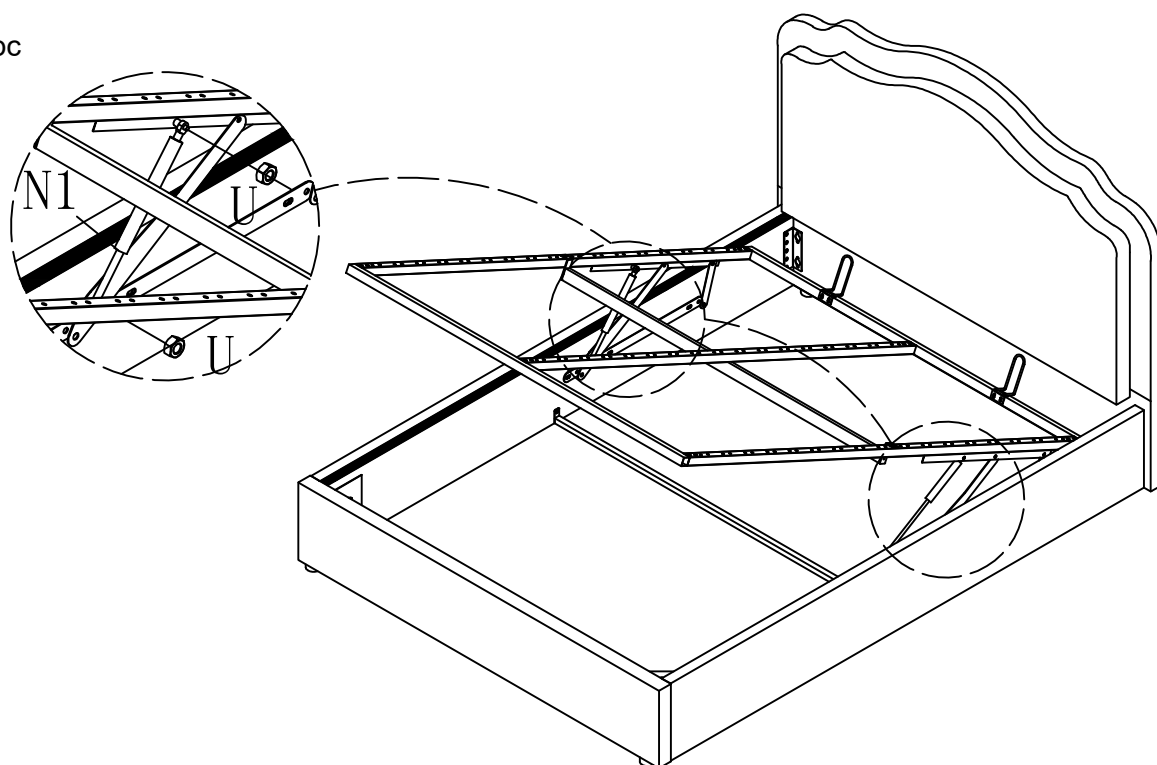
Step 15: Attaching the Non-woven Fabric



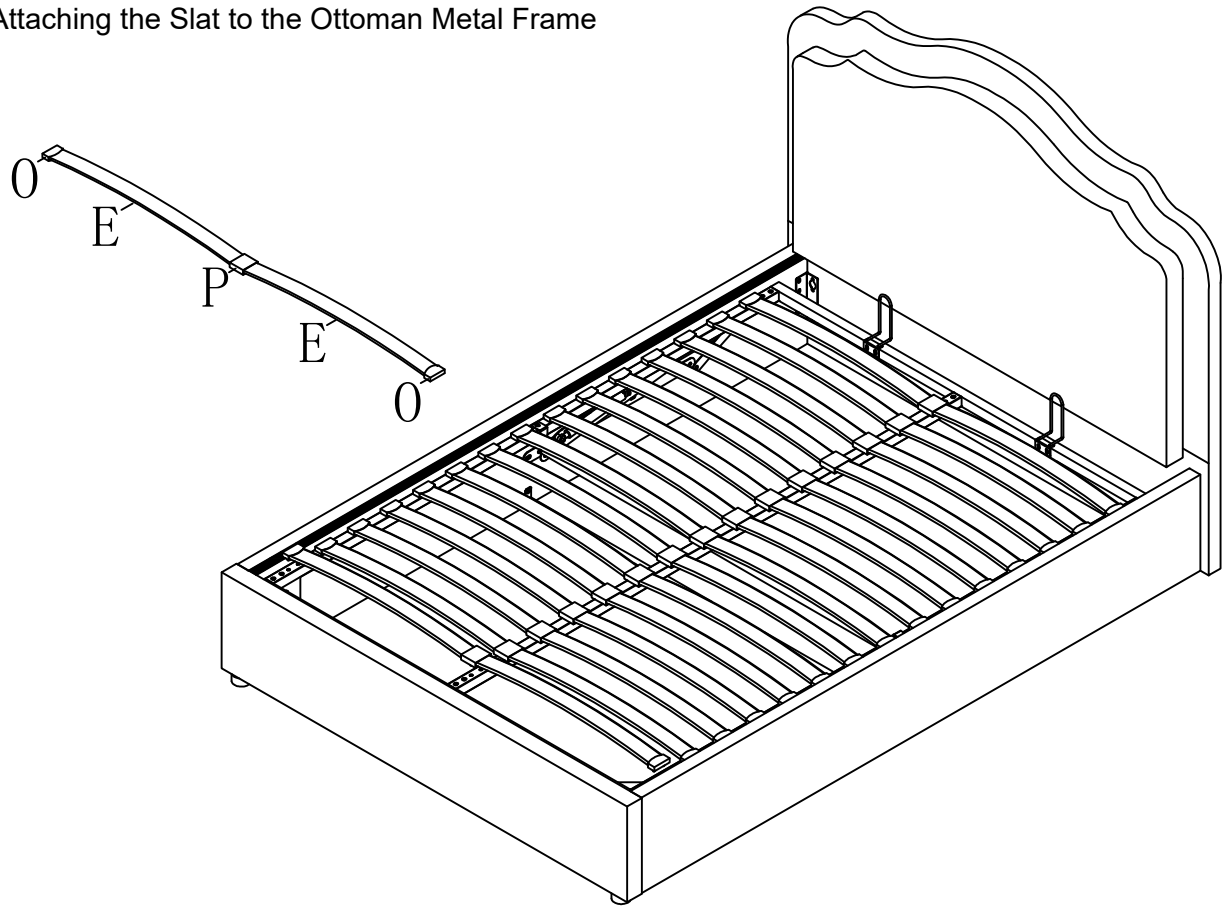
Step 16: Attaching the Hydraulic Rod to the Left/Right lift Mechanism

U  4pcs

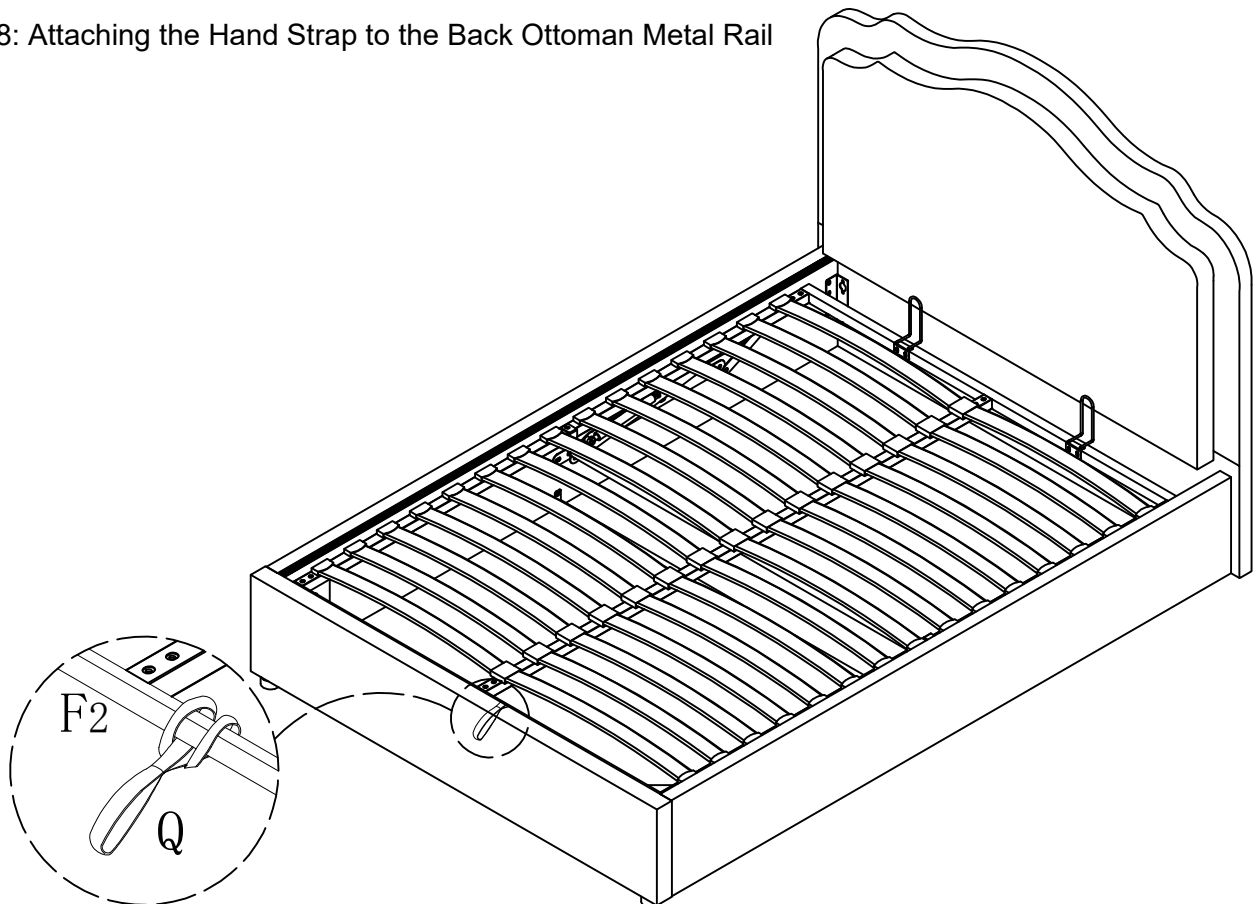
W  1pc



Step 17: Attaching the Slat to the Ottoman Metal Frame



Step 18: Attaching the Hand Strap to the Back Ottoman Metal Rail



Warning: If you are experiencing problems closing your gas struts please refer to the last page for trouble shooting.

Care and Maintenance

Here are some good tips to keep your new ottoman bed frame in tip-top condition.

Cleaning

To clean your new ottoman bed frame, we advise using a damp cloth if the fabric is dusty or a low suction vacuum. Do not use abrasive chemicals or bleach as this may damage the product.

Checking and Moving

Periodically, we recommend you check that the screws and fixtures haven't become loose over time. To move your bed frame, we recommend lifting it where possible, as dragging or pushing it could cause damage to the legs or flooring.

Fabric

Please note, depending on the lighting, positioning and surroundings of your room, the shade of the fabric will appear differently. Over a period of time, the fabric may also lighten or fade slightly due to light exposure.

Gas strut/piston best use:

- Use caution when operating - always use two hands.
- Only attempt to close the ottoman frame, once the mattress has been placed on the frame. The thicker side of the cylinder should be above the thinner side - this will increase longevity of the part.
- Only attempt to close the frame with two hands from the footboard side, slowly increasing the pressure until the frame starts moving downwards.
- Closing the frame for the first time may be difficult, as the cylinder needs cycling and lubricating. After closing for the first time, open and close a further 5 times.
- If the frame is stuck open and unable to be closed, we recommend getting assistance from a second person, both applying equal pressure from each side of the footboard until the frame closes, this may require more force than expected. Stop applying pressure if the metal frame begins to warp – contact customer services at this point.

Top tips:

- Do not attempt to close the gas strut/piston by hand, it can only be compressed once added to the frame
- Ensure the frame can move freely before adding the gas struts/pistons
- Check the frame is fully square, being offset can cause the frame to catch on the side rail