

DUSK.COM

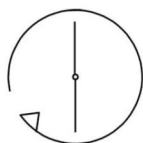
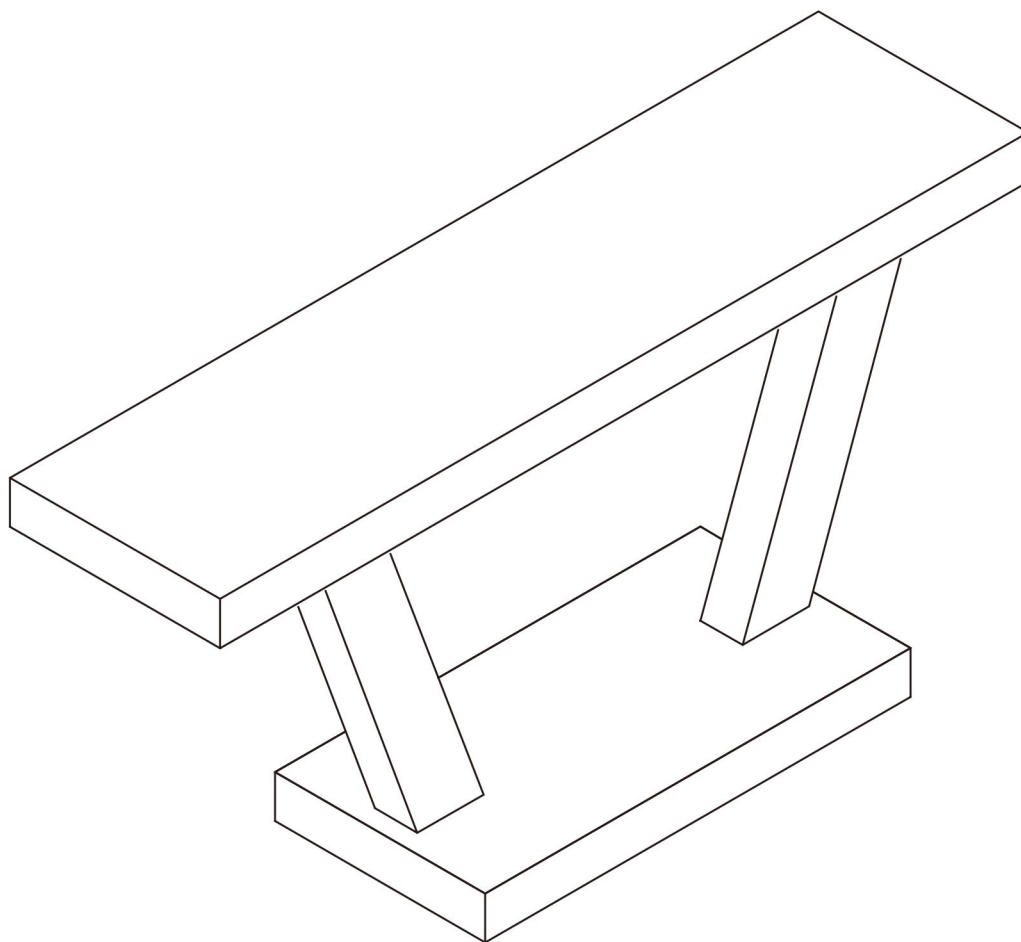
LIVING | BEDROOM | DINING

Range Name : Elina

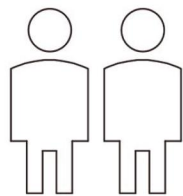
Box 1 dimensions : W157.5xD47.5xH23.5 CM

Product Dimension : W140xD39.5xH80 CM

Dressing Table/Console



Up to 60 minutes
assembly time



Two person
assembly



Electric screwdriver
prohibited

This product is intended for domestic use only, not for commercial purposes.

IMPORTANT

ASSEMBLY TIP

Before you begin, it's best to identify all of the parts and fittings to build your dressing table/console frame. We advise laying these out on the floor to check you have everything, and to familiarise yourself with all of the parts and fittings before building.

TOP TIP

We recommend that you assemble the dressing table/console in the room you'd like it to be located. This will help prevent any risk of damage to the frame whilst moving it.

SAFETY AND CARE

1. It's important to ensure children and animals are kept away from the assembly area, as there are small components used in this product which could present a choking hazard. All plastic and wrapping materials should also be kept away from children and animals to prevent any risk of suffocation.
2. Do not stand on your product.
3. Always use the item on firm level ground, ensuring all legs remain in contact with the ground.
4. Place heaviest items in the lowest drawers.
5. Do not set TV or other heavy objects on top of the product.
6. Children should always be under supervision whilst using this product. Never allow children to climb on the drawers.
7. Never keep more than one drawer open at the same time.
8. In order to prevent overturning, this product must be used with the wall attachment device provided.
9. Serious or fatal crushing injuries can occur from tipping furniture.

HELP AND SUPPORT

Please contact our customer service team on 0113 519 0311 if you have any questions or issues with your purchase.

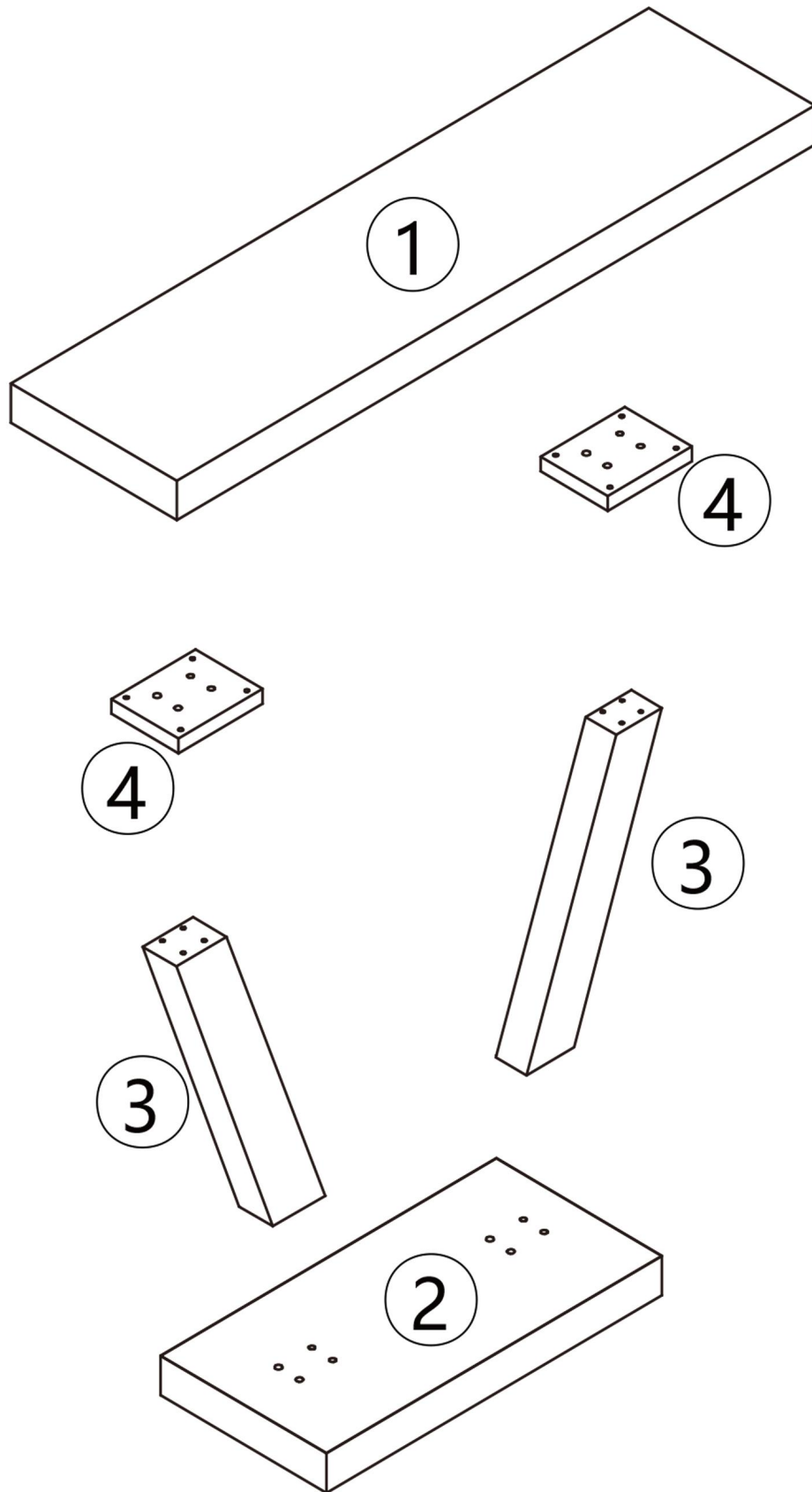
RECYCLING

Please ensure that packaging is disposed of in a safe and environmentally friendly way, and recycle where possible. Please keep your assembly instructions safe to refer back to in the future.

CARE AND MAINTENANCE

1. Only clean using a damp cloth, do not use bleach or abrasive cleaners as they may damage the finish over time.
2. Do not use a very wet cloth or allow any liquid to contact with the surface for a long period of time. Wipe any spillage immediately. Absorption can cause wood to warp or finishes to de-laminate.
3. Do not scrub or rub the surface when cleaning.
4. Do not drag the dressing table/console when moving, lift it off the floor instead.
5. Use a placemat or a coaster when putting hot items (e.g. hot drinks and dishes) on the wood surface.
6. It is not recommended to place the item next to sources of heat such as radiators, fires or directly exposed to sunlight. This may cause the wood to crack, split or fade due to the heat and humidity.
7. Wood will mellow and change colour over time, we recommend that ornaments and items placed on the surface to be moved regularly to prevent uneven mellowing.
8. Regularly check all fixings to ensure none have come loose. Re-tighten if necessary.
9. Avoid sharp items such as a screwdriver or any pointy tools.

Parts list




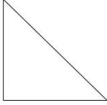



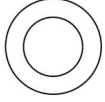
Parts list

Before you begin building your dressing table/console, please take a moment to read through the instructions and make sure that you have all the relevant parts listed on the parts check list.

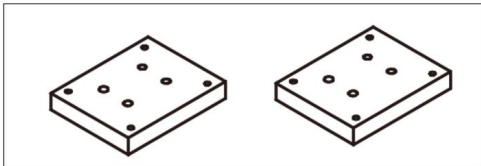
Part Number	Part Description	Quantity	Box No
1	Top Panel	1 pc	Box 1
2	Bottom Panel	1 pc	Box 1
3	Structural Support Leg	2 pcs	Box 1
4	Wood Chip	2 pcs	Box 1

Fittings Checklist

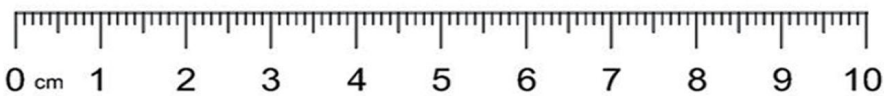
Please check you have all the fittings listed below with your product in Box 1.

<p>A</p>  <p>Ø6x30mm Hex Screw x24pcs(+3 extra)</p>	<p>B</p>  <p>Foot Pad x4pcs(+1 extra)</p>	<p>C</p>  <p>Screwdriver</p>
<p>D</p>  <p>100*20mm D1 x2 D2 4*16mm D3 3*30mm D4 6*30mm D5</p> <p>Anti-Tipping Set x2pcs</p>		<p>E</p>  <p>Ø6x90mm Bolt x8pcs(+2 extra)</p>
<p>F</p>  <p>Ø6x14mm Shim x8pcs(+2 extra)</p>		

Important: Before assembling, remember to take out wooden piece (4).





Bolt Length Ruler:

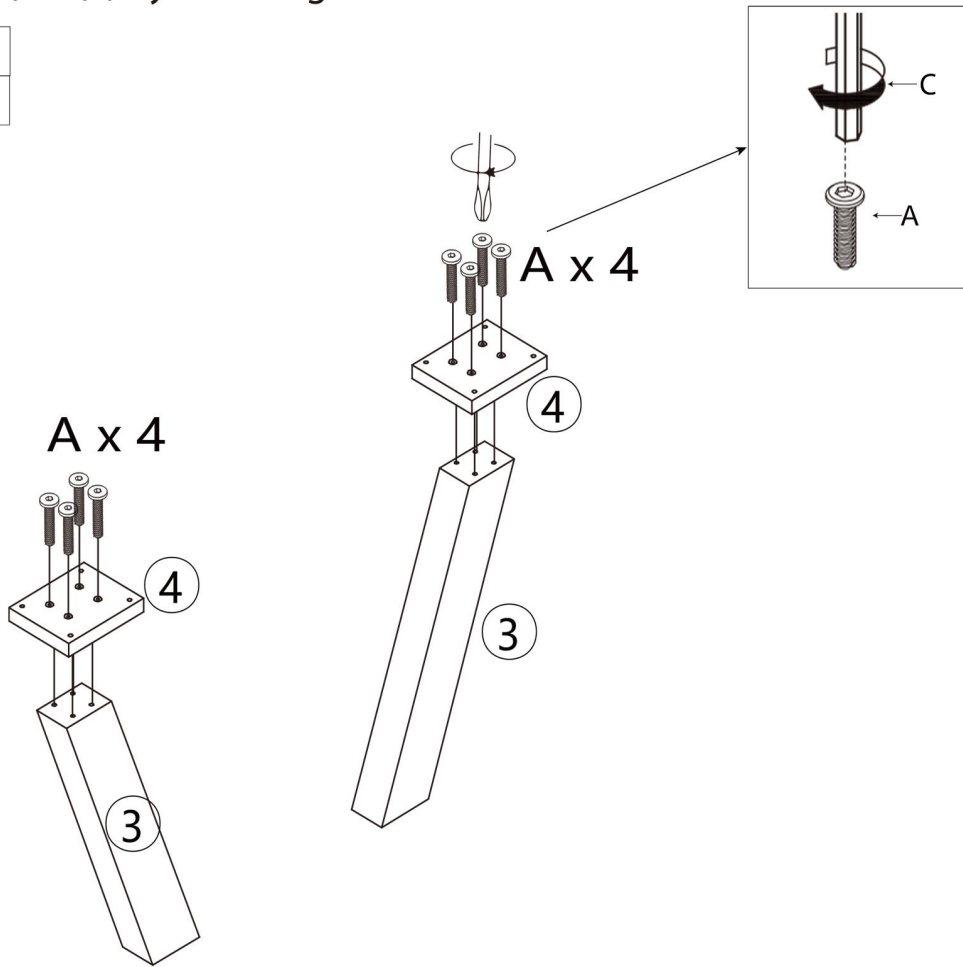


Tool required





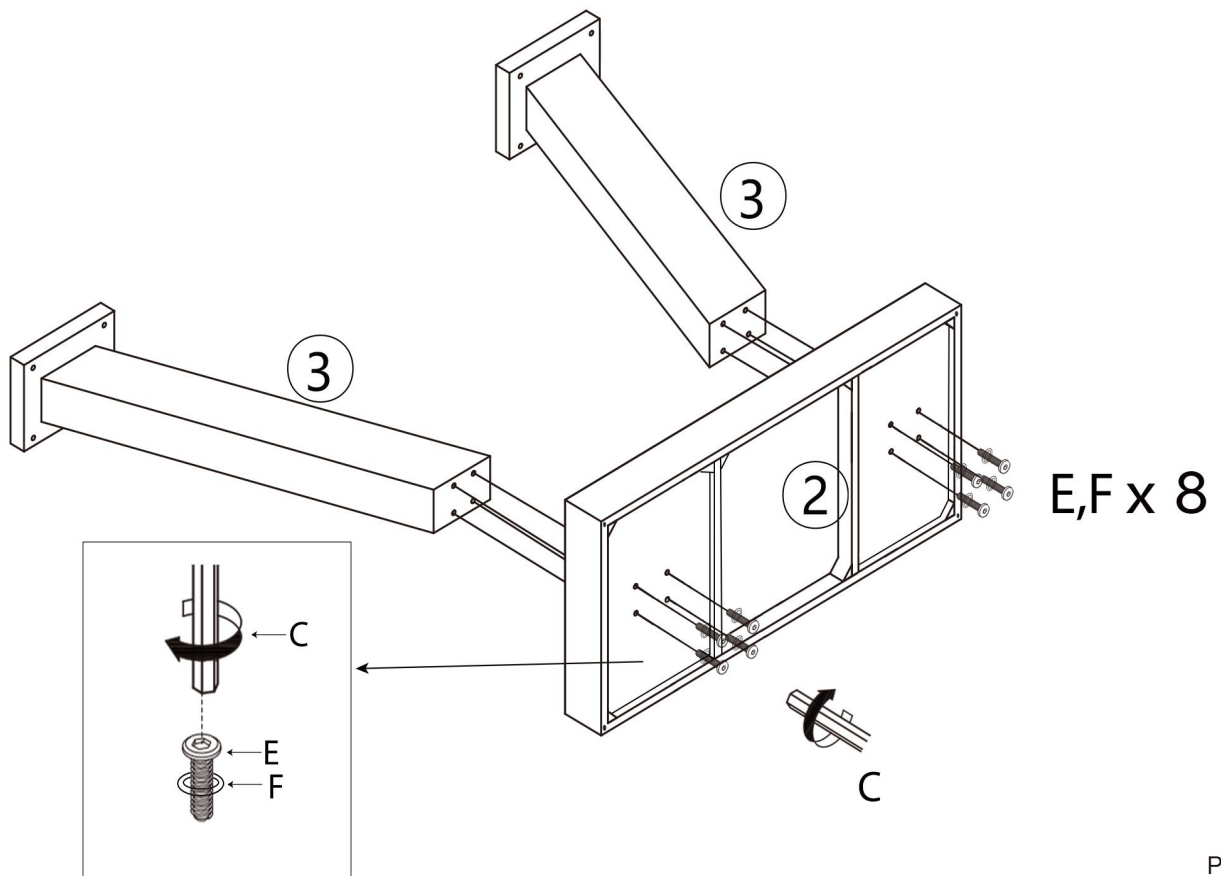
Step 1: Link (3) to (4) by installing A.

(A)		8pcs
(C)		1pc

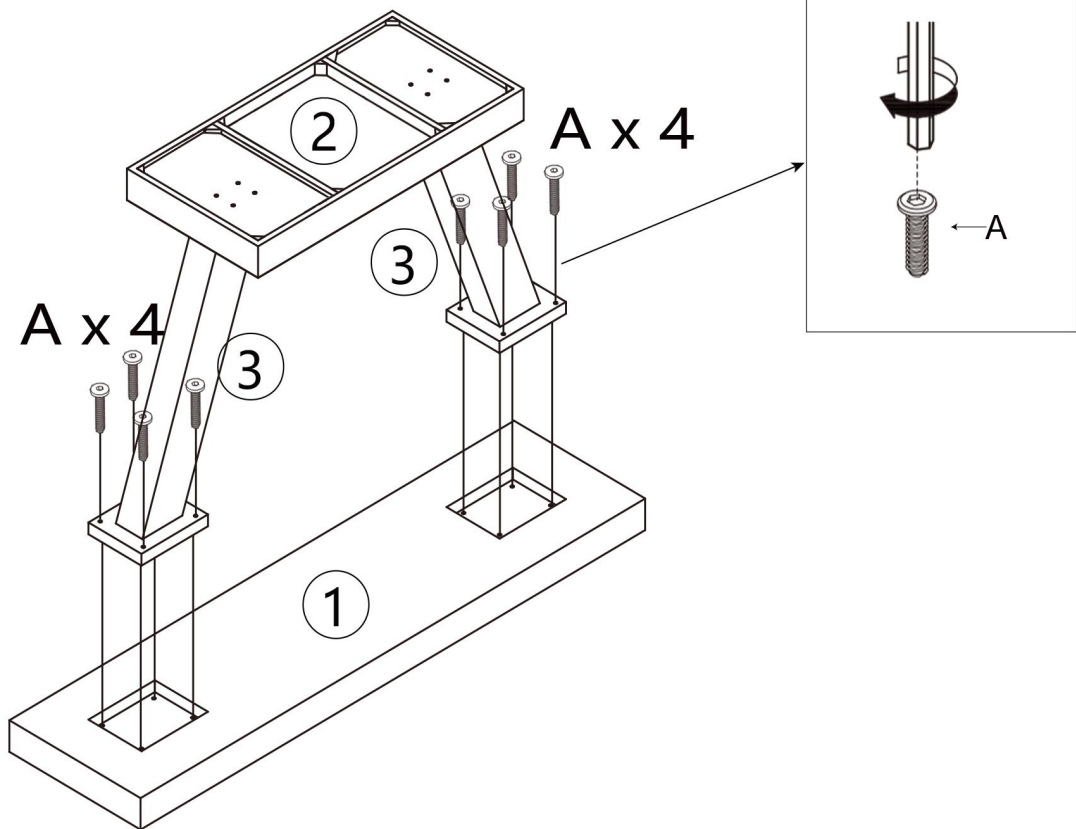


Step 2: Install as shown in the diagram below.

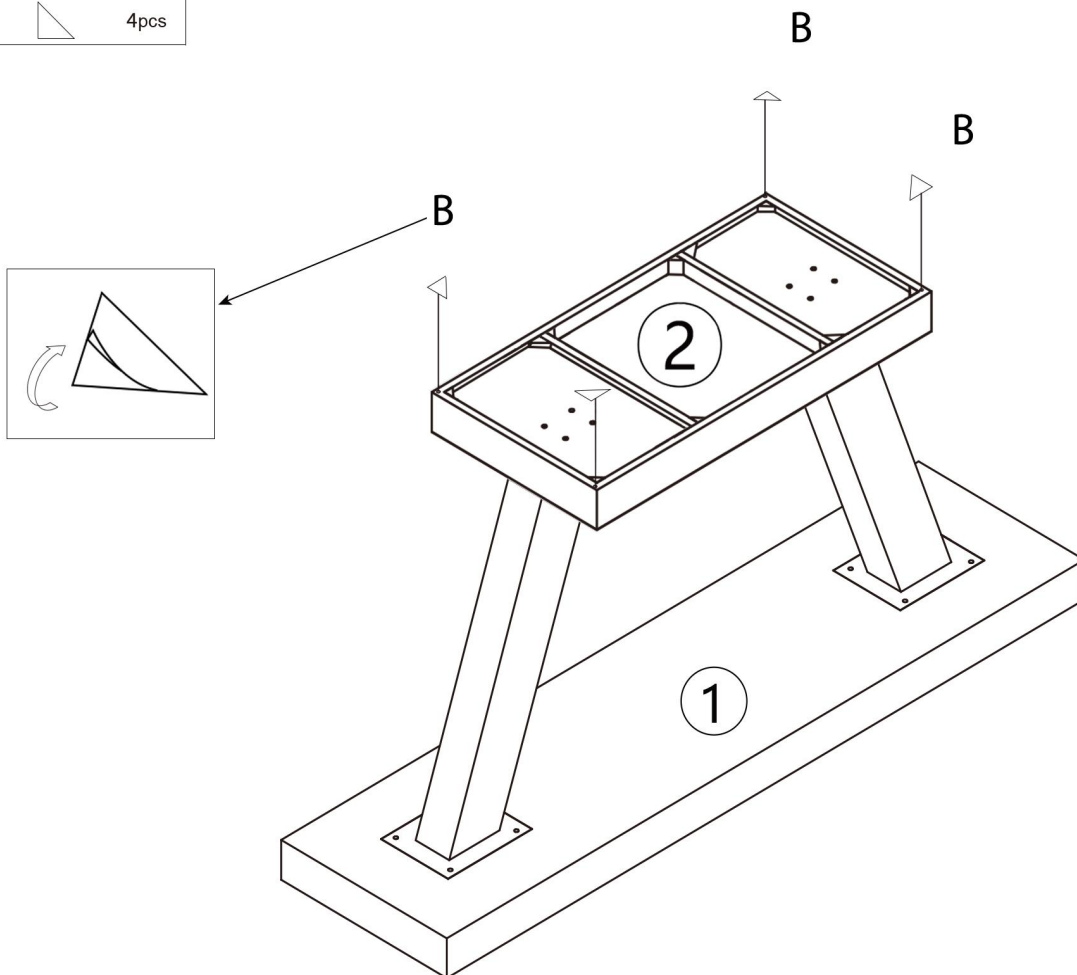
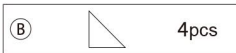
(E)		8pcs
(F)		8pcs



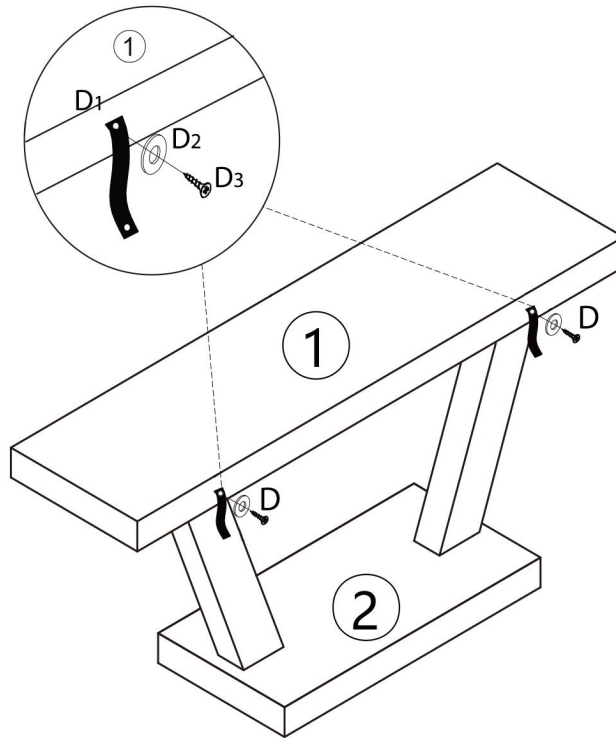
Step 3: Install as shown in the diagram below.



Step 4: Install as shown in the diagram below.



Step 5: Install as shown in the diagram below.



Step 6: Install as shown in the diagram below.

