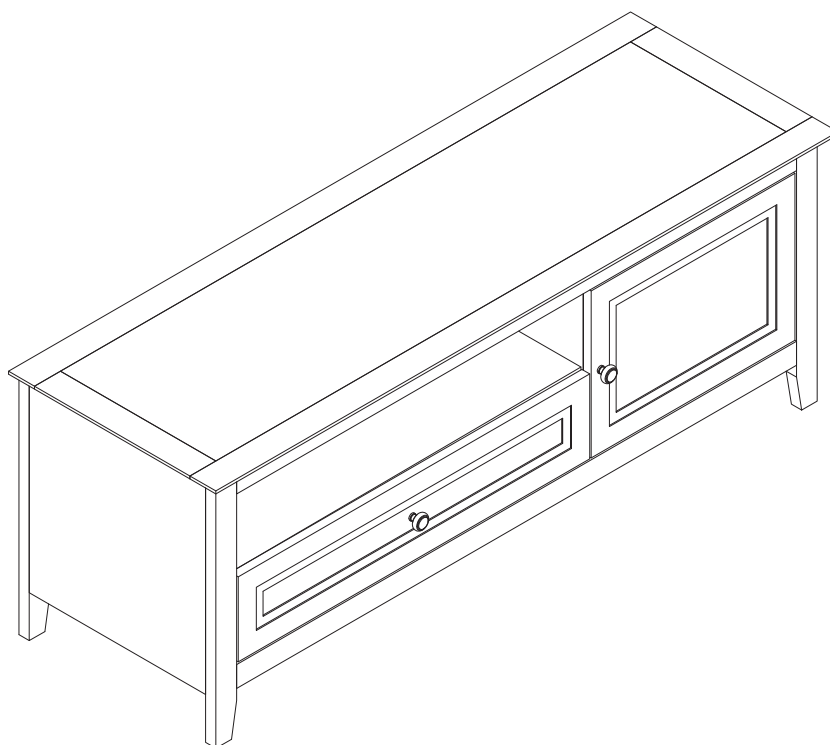


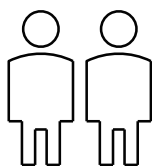
## Edie 120cm TV Unit



THIS INSTRUCTION BOOKLET CONTAINS IMPORTANT SAFETY INFORMATION.  
PLEASE READ AND KEEP FOR FUTURE REFERENCE.



Up to 15 minutes  
assembly time



Two person  
assembly

This product is intended for domestic use only, not for commercial purpose.

# IMPORTANT

## ASSEMBLY TIP

Before you begin, we advise laying everything out on a clean and soft level surface to avoid damaging the unit or your floor. It's best to identify all of the parts and fittings to build your TV unit, and to familiarise yourself with all of the parts and fittings before building.

## TOP TIP

We recommend that you assemble the TV unit in the room you'd like it to be used. This will help prevent the chance of damaging the item when moving it around.

## SAFETY AND CARE

1. It's important to ensure children and animals are kept away from the assembly area, as there are small components used in this product which could present a choking hazard. All plastic and wrapping materials should also be kept away from children and animals to prevent any risk of suffocation.
2. Always use on firm level ground, ensuring all legs remain in contact with the ground.
3. Do not stand on your product.
4. Children should always be under supervision whilst using this product. Never allow children to climb on the item.
5. Serious or fatal crushing injuries can occur from tipping furniture.

## HELP AND SUPPORT

Please contact our customer service team on 0113 519 0311 if you have any questions or issues with your purchase.

## RECYCLING

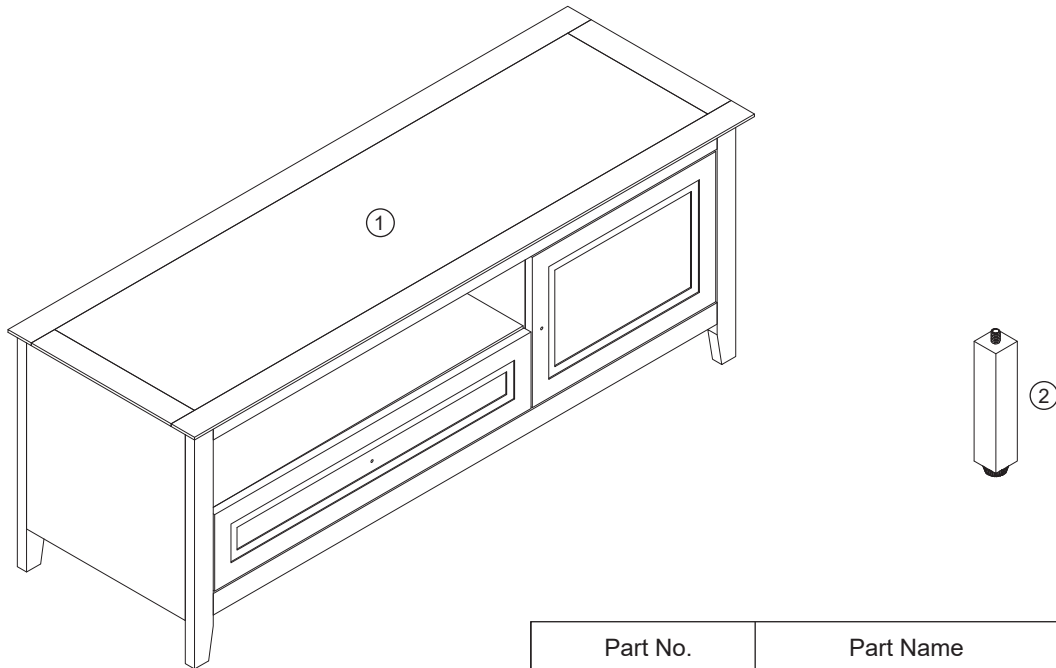
Please ensure that packaging is disposed of in a safe and environmentally friendly way, and recycle where possible. Please keep your assembly instructions safe to refer back to in the future.

# CARE AND MAINTENANCE

1. Only clean using a damp cloth, do not use bleach or abrasive cleaners as they may damage the finish over time.
2. Do not use a very wet cloth or allow any liquid to contact with the veneer for a long period of time. Wipe any spillage immediately. Absorption can cause wood to warp or finishes to de-laminate.
3. Do not scrub or rub the surface when cleaning.
4. Do not drag the TV unit when moving, lift it off the floor instead.
5. Use a placemat or a coaster when putting hot items (e.g. hot drinks and dishes) on the wood surface.
6. It is not recommended to place the item next to sources of heat such as radiators, fires or directly exposed to sunlight. This may cause the wood to crack, split or fade due to the change of the humidity and temperature.
7. Wood will mellow and change colour over time, we recommend that ornaments and items placed on the surface to be moved regularly to prevent uneven mellowing.
8. Regularly check all fixings to ensure none have come loose. Re-tighten if necessary.
9. Avoid sharp items such as a screwdriver or any pointy tools.

# Parts List

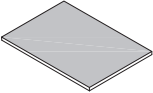
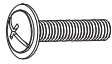

Please check you have all the parts listed below with your product:  
Do not discard any of the packaging until you have checked that you have all the parts and the pack of fixings.



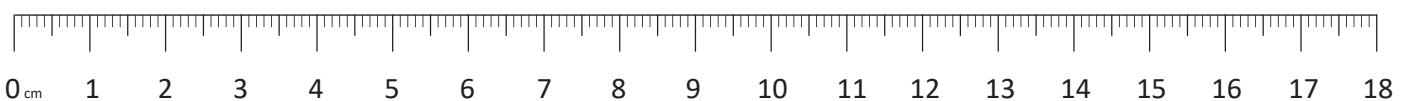
Part No.	Part Name	Quantity
1	TV unit	1
2	Adjustable Centre Legs	1

# Fittings

Please check you have all the fittings listed below with your product.

 <b>(A)</b> Felt Pad 4pcs+1extra	 Ø4.0x25mm <b>(B)</b> Screw 2pcs+1extra	 <b>(C)</b> Handles 2pcs	
--	--	---	--

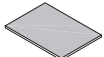
# Bolt Length Ruler:

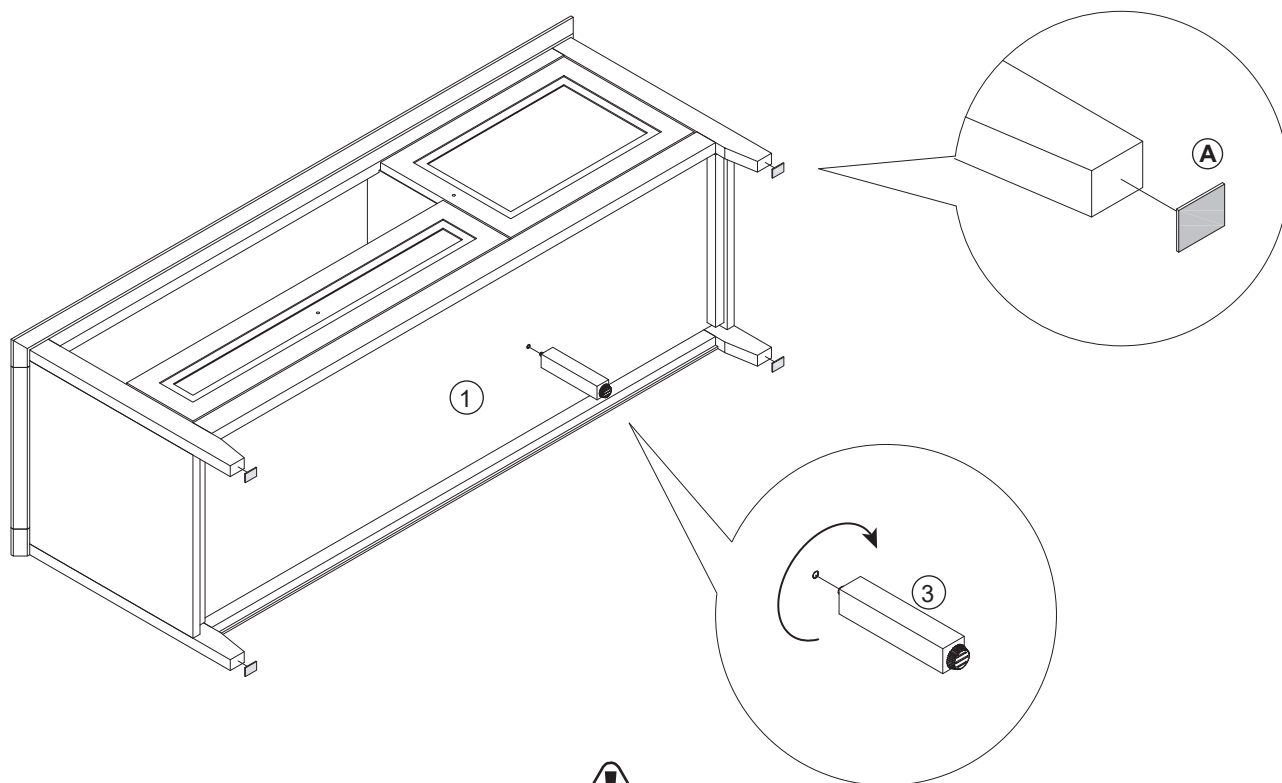



# Tool required (not provided)



## Step 1: Applying adjustable centre legs into the side table and felt pads on the legs.

**(A)**  4pcs



 Centre legs are adjustable to touch the floor.

## Step 2: Install the handles on the door and drawer as shown in the figure.

**(B)**  2pcs

**(C)**  2pcs

