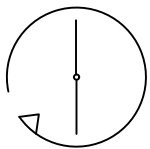
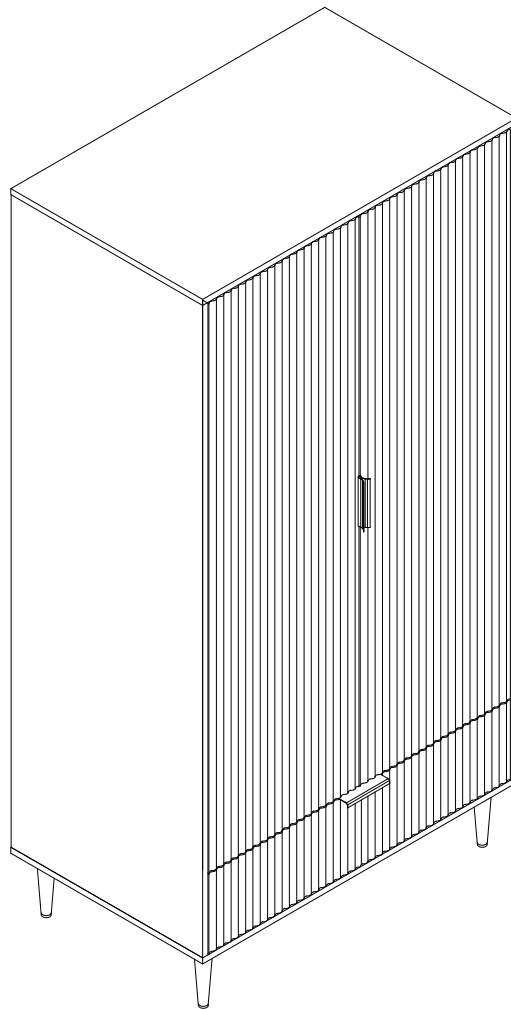


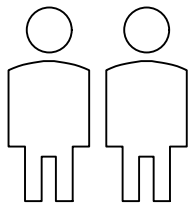
**DUSK.COM**  
LIVING | BEDROOM | DINING

Range Name : EVIE  
Box dimensions : 177x65.5x20cm

## Evie Wardrobe



Up to 30 minutes  
assembly time



Two person  
assembly

This product is intended for domestic use only, not for commercial purposes.

## IMPORTANT

### ASSEMBLY TIP

Before you begin, it's best to identify all of the parts and fittings to build your Evie Wardrobe frame. We advise laying these out on the floor to check you have everything, and to familiarise yourself with all of the parts and fittings before building.

### TOP TIP

We recommend that you assemble the Evie Wardrobe in the room you'd like it to be located. This will help prevent any risk of damage to the frame whilst moving it.

### SAFETY AND CARE

It's important to ensure children and animals are kept away from the assembly area, as there are small components used in this product which could present a choking hazard. All plastic and wrapping materials should also be kept away from children and animals to prevent any risk of suffocation.

### HELP AND SUPPORT

Please contact our customer service team on 0113 519 0311 if you have any questions or issues with your purchase.

### RECYCLING

Please ensure that packaging is disposed of in a safe and environmentally friendly way, and recycle where possible. Please keep your assembly instructions safe to refer back to in the future.

### CARE AND MAINTENANCE:

1. Only clean using a damp cloth, do not use bleach or abrasive cleaners as they may damage the finish over time.
2. Do not use a very wet cloth or allow any liquid to contact with the veneer for a long period of time. Wipe any spillage immediately. Absorption can cause wood to warp or finishes to de-laminate.
3. Do not scrub or rub the surface when cleaning.
4. Do not drag the Evie Wardrobe when moving, lift it off the floor instead.
5. Use a placemat or a coaster when putting hot items (e.g. hot drinks and dishes) on the wood surface.
6. It is not recommended to place the item next to sources of heat such as radiators, fires or directly exposed to sunlight. This may cause the wood to crack, split or fade due to the heat and humidity.
7. Wood will mellow and change colour over time, we recommend that ornaments and items placed on the surface to be moved regularly to prevent uneven mellowing.
8. Regularly check all fixings to ensure none have come loose. Re-tighten if necessary.
9. Avoid sharp items such as a screwdriver or any pointy tools.
10. Dispose of all packaging carefully and responsibly - recycle where possible.

# Parts list

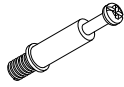
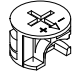







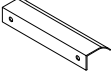

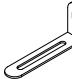






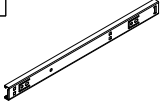


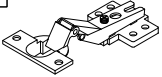
Before you begin building your Evie Wardrobe, please take a moment to read through the instructions and make sure that you have all the relevant parts listed on the parts check list.

| Part Number | Part Description | Quantity |
|-------------|------------------|----------|
| ①           | Left Side Panel  | 1pc      |
| ②           | Right Side Panel | 1pc      |
| ③           | Top              | 1pc      |
| ④           | Back Panel       | 2pcs     |
| ⑤           | Back slats       | 1pc      |
| ⑥           | Leg              | 4pcs     |
| ⑦           | Centre Support   | 2pcs     |
| ⑧           | Centre Support   | 1pc      |
| ⑨           | Shelf Panel      | 1pc      |
| ⑩           | Bottom Panel     | 1pc      |

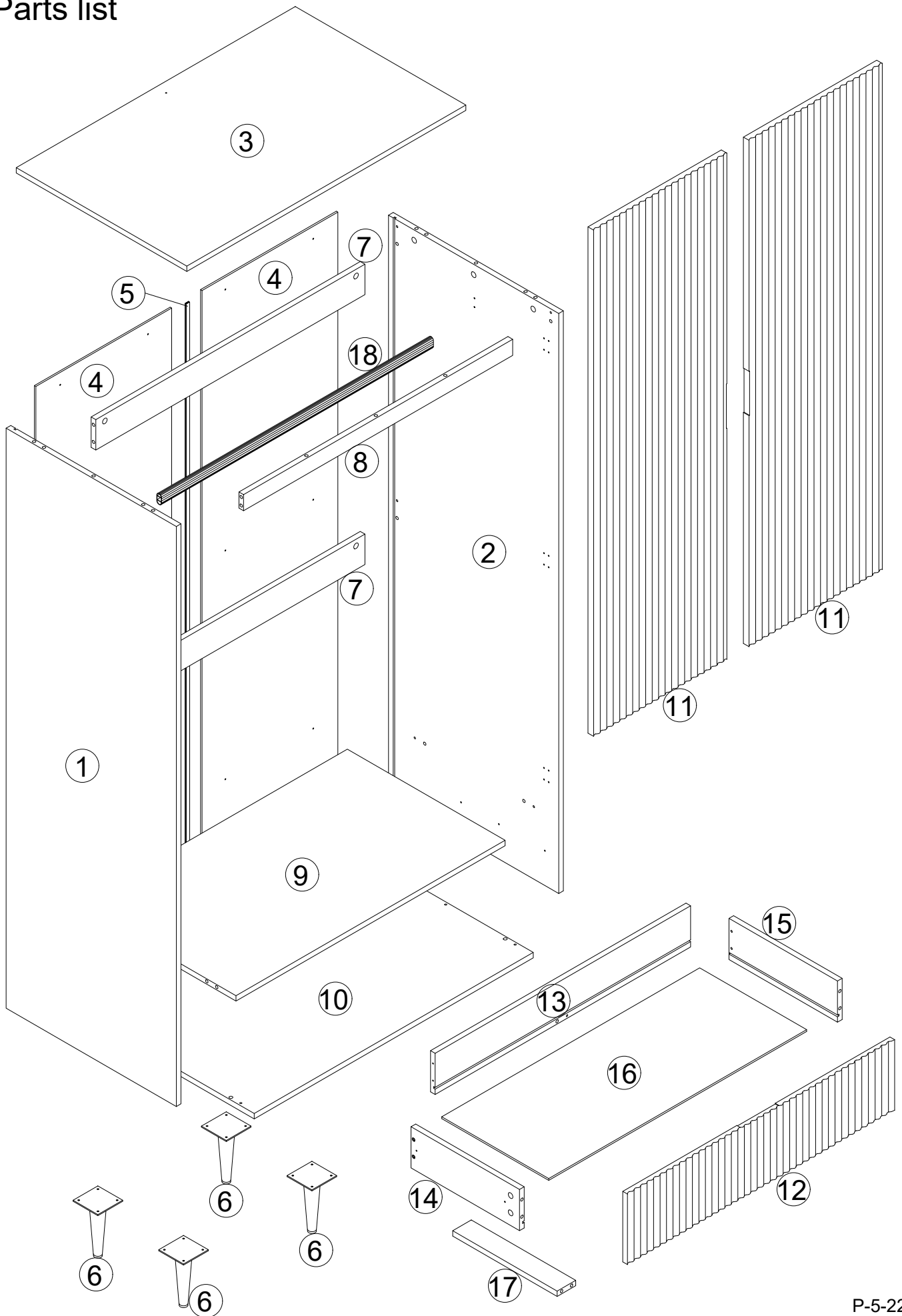
| Part Number | Part Description  | Quantity |
|-------------|-------------------|----------|
| ⑪           | Door Panel        | 2pcs     |
| ⑫           | Drawer Front      | 1pc      |
| ⑬           | Drawer Left Side  | 1pc      |
| ⑭           | Drawer Right Side | 1pc      |
| ⑮           | Drawer Back Side  | 1pc      |
| ⑯           | Drawer Bottom     | 1pc      |
| ⑰           | Drawer Floor      | 1pc      |
| ⑱           | Clothes poles     | 1pc      |

# Fittings

Please check you have all the fittings listed below with your product.

|   |  |  |  |  |
|---|--|--|--|--|
| <p><b>A</b></p>  <p>M6*35mm Bolt<br/>23pcs+2pcs extra</p>    | <p><b>B</b></p>  <p>Ø15x9.5mm Cam Lock<br/>23pcs+2pcs extra</p> | <p><b>C</b></p>  <p>Ø8x30mm Dowel<br/>20pcs+2pcs extra</p>  | <p><b>D</b></p>  <p>M3.5*12mm Screw<br/>20pcs+2pcs extra</p>      | <p><b>E</b></p>  <p>M3*14mm Screw<br/>12pcs+1pc extra</p> |
| <p><b>F</b></p>  <p>M4*35mm Screw<br/>5pcs</p>               | <p><b>G</b></p>  <p>M5*40mm Screw<br/>6pcs</p>                  | <p><b>H</b></p>  <p>3mm Allen Key<br/>1pc</p>               | <p><b>I</b></p>  <p>15x9mm Plastic Buckle<br/>12pcs+1pc extra</p> | <p><b>J</b></p>  <p>Handle<br/>3pcs</p>                   |
| <p><b>K</b></p>  <p>M4*14mm Screw<br/>17pcs+1pc extra</p>    | <p><b>L</b></p>  <p>Wall Bracket<br/>1pc</p>                    | <p><b>M</b></p>  <p>Ø6x30mm Dowel<br/>2pcs</p>              | <p><b>N</b></p>  <p>Ø6x30mm Wall Plug<br/>1pc</p>                 | <p><b>O</b></p>  <p>Cover<br/>4pcs</p>                    |
| <p><b>P</b></p>  <p>Cover<br/>4pcs</p>                     | <p><b>Q</b></p>  <p>Clothes Tray<br/>2pcs</p>                 | <p><b>R</b></p>  <p>M3*14mm Screw<br/>12pcs+1pc extra</p> | <p><b>S</b></p>  <p>Slide<br/>2pcs</p>                          | <p><b>T</b></p>  <p>Slide<br/>2pcs</p>                  |
| <p><b>U</b></p>  <p>M4*14mm Screw<br/>36pcs+2pcs extra</p> | <p><b>V</b></p>  <p>Hinge<br/>6pcs</p>                        |  |  |  |

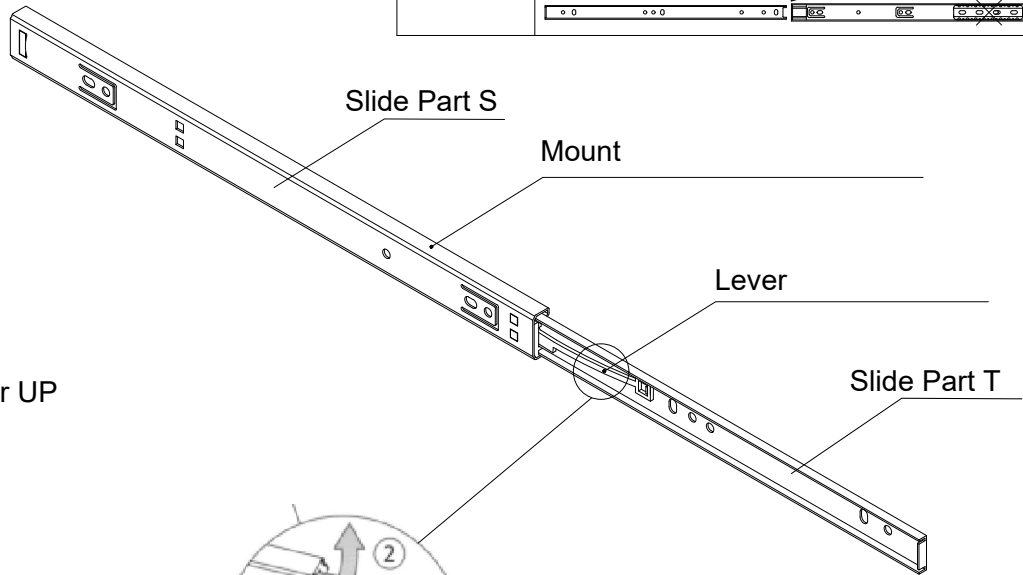
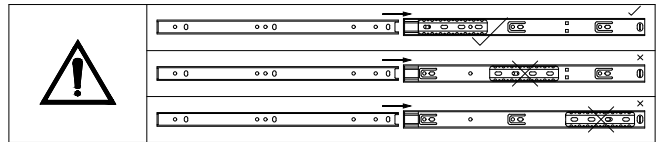
# Parts list



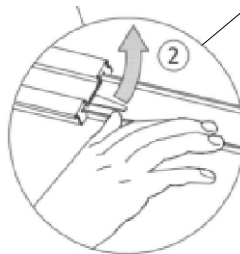
**Slides Must Be Separated Before Assembly.  
After Separated, Set Aside Until Needed for Assembly.**

**Pay attention when connecting !  
The sliding module must be at the front end.**

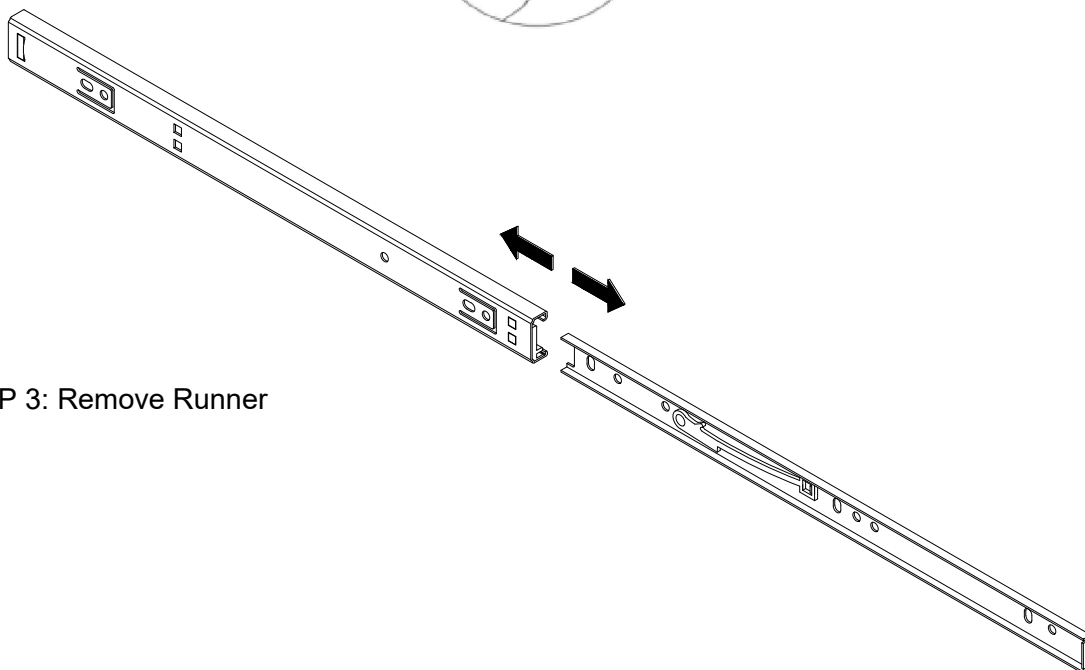
STEP 1 : Extend Slide



STEP 2: Push Lever UP

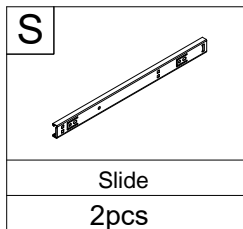
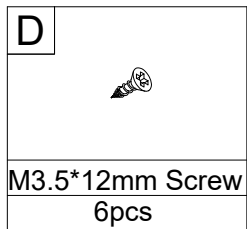
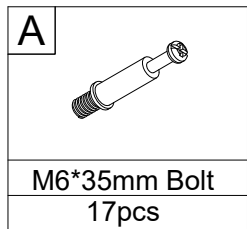
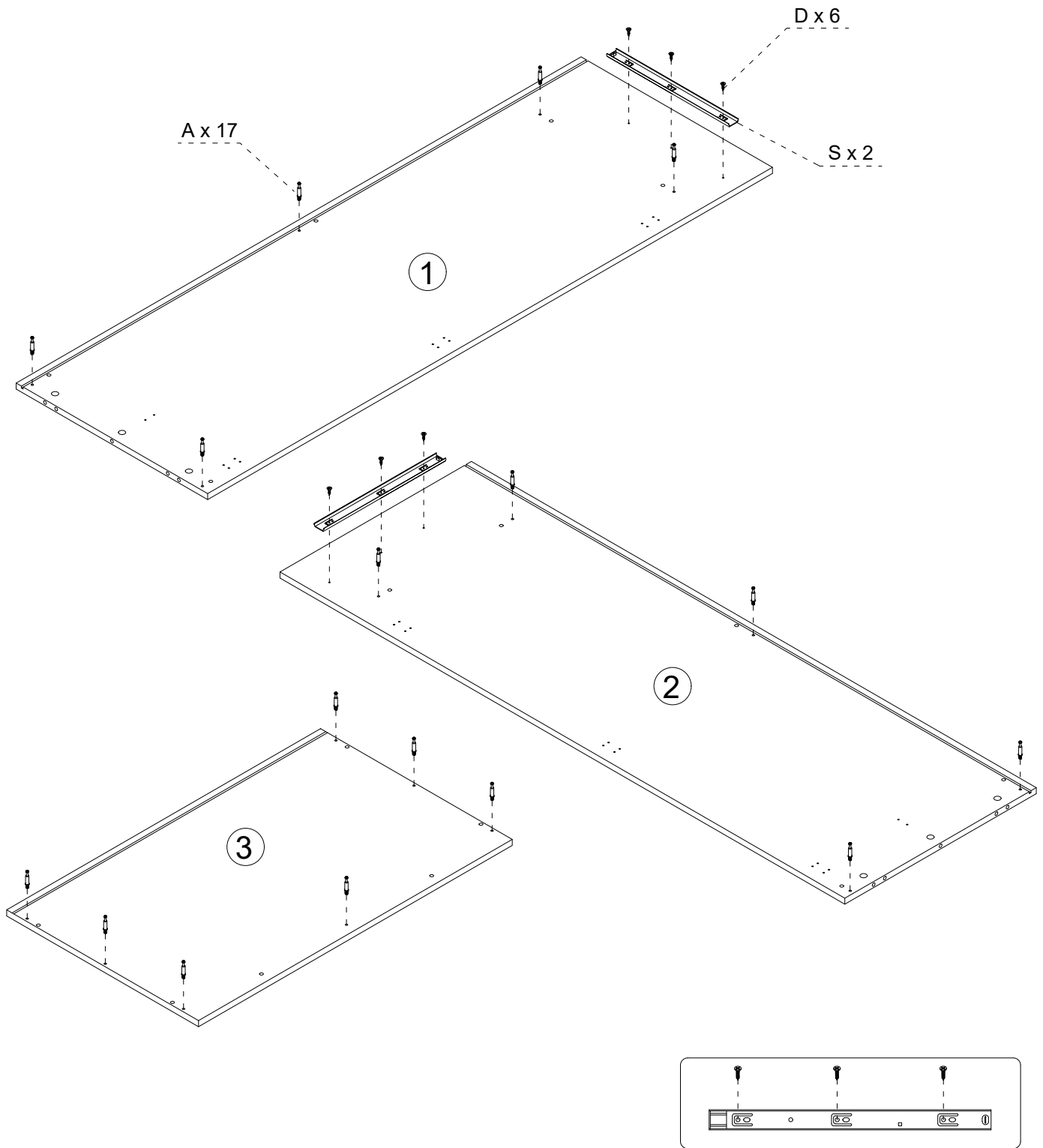


**Push lever for the left of drawer ,  
press the lever for the right of drawer.**

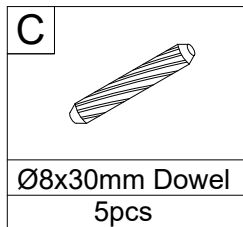
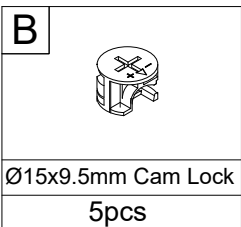
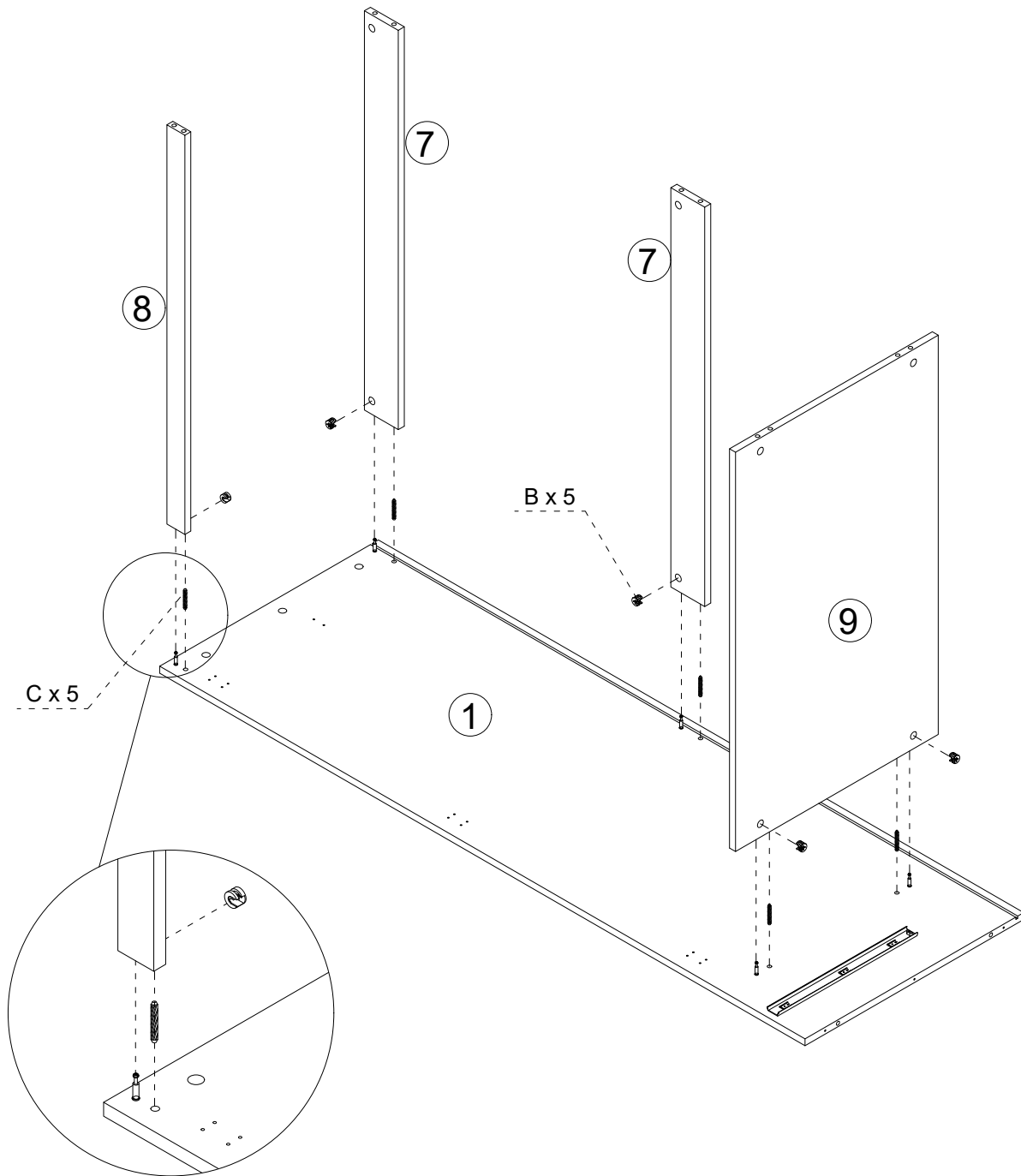


STEP 3: Remove Runner

# 1. Attach slide part S to the left and right side panel.

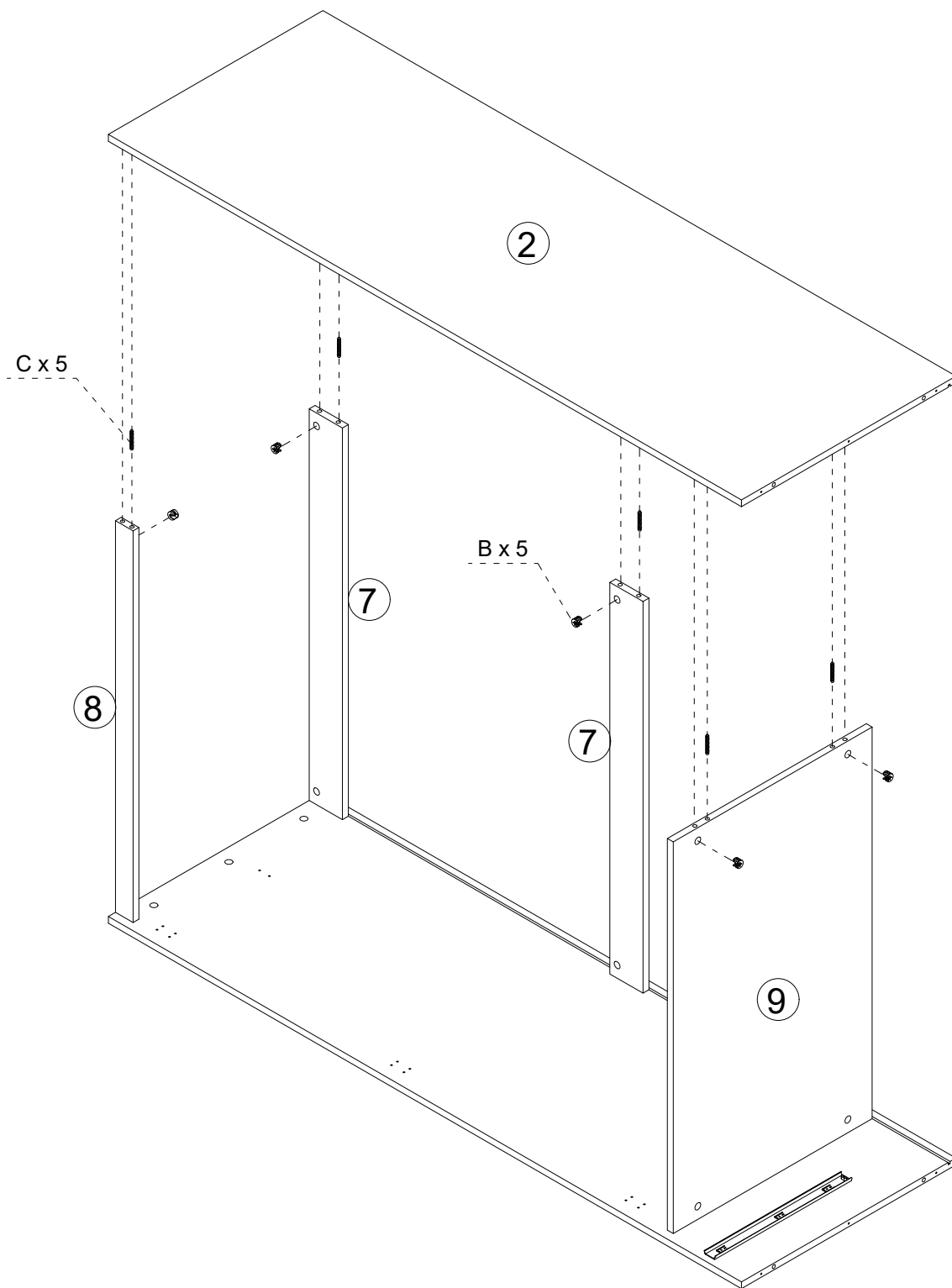



## 2. Attached center support and shelf panel to the left side panel.

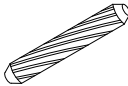




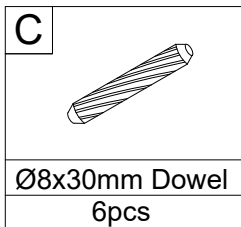
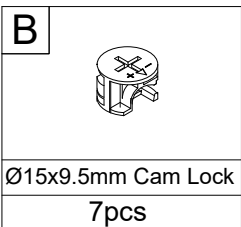
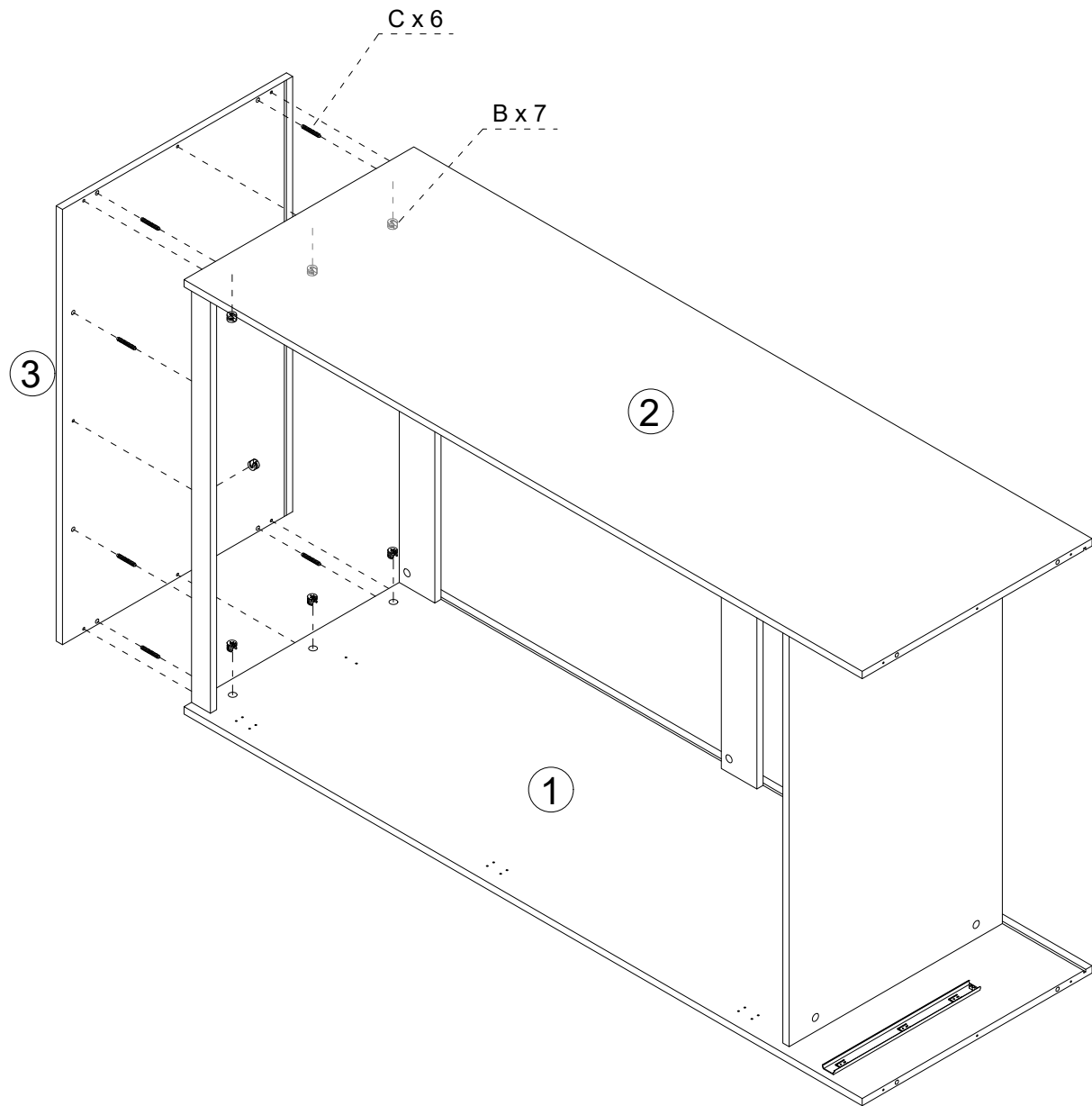
### 3. Attach the right side panel to the frame.



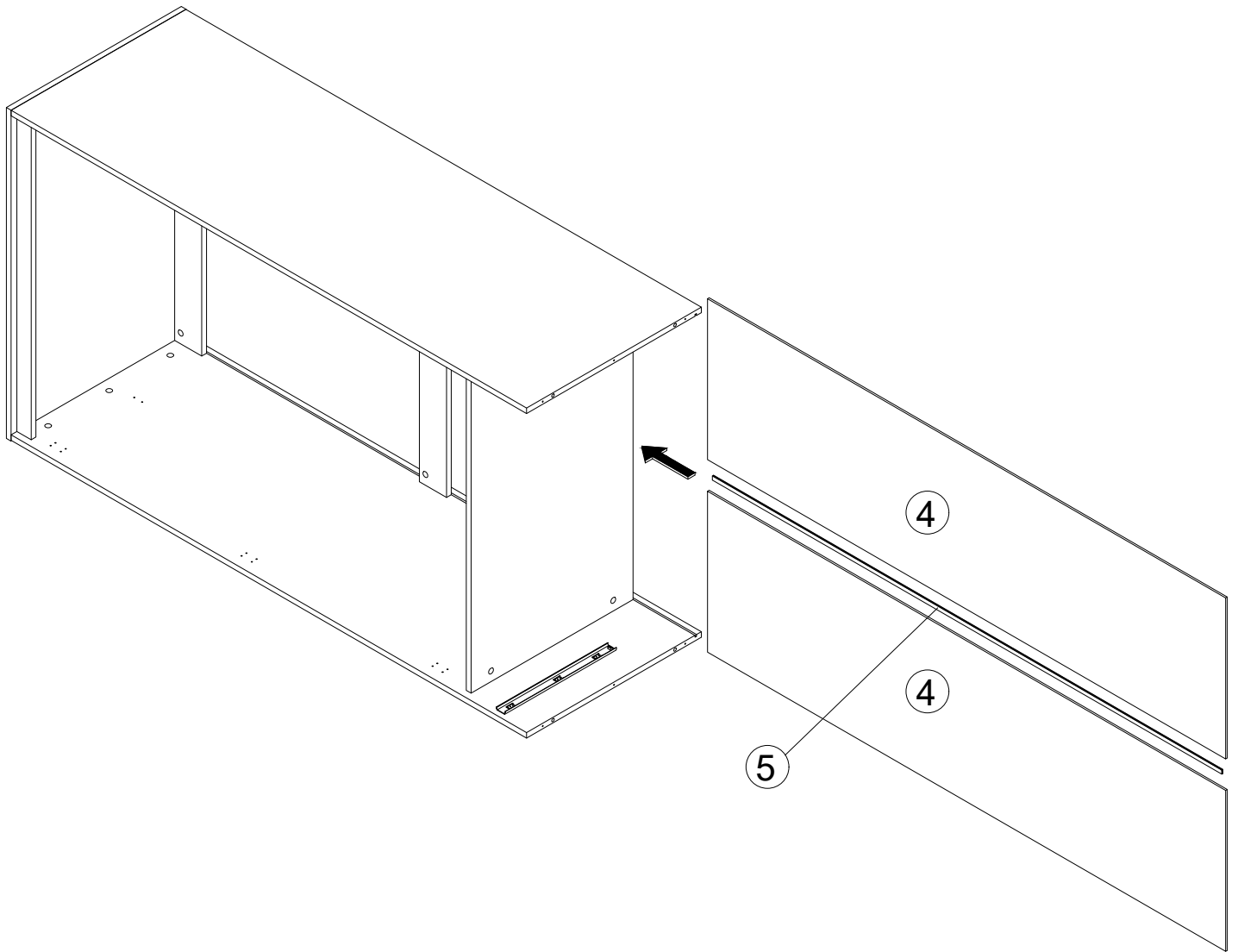
|                    |   |
|--------------------|---|
| <b>B</b>           |  |
| Ø15x9.5mm Cam Lock |   |
| 5pcs               |   |

|               |   |
|---------------|---|
| <b>C</b>      |  |
| Ø8x30mm Dowel |   |
| 5pcs          |   |

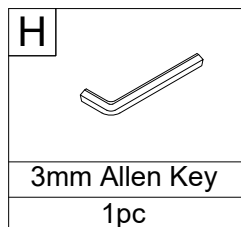
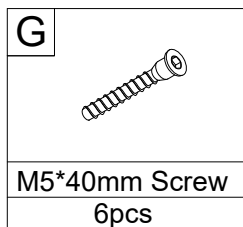
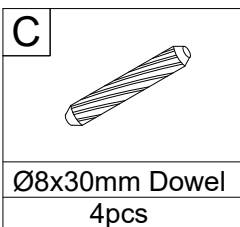
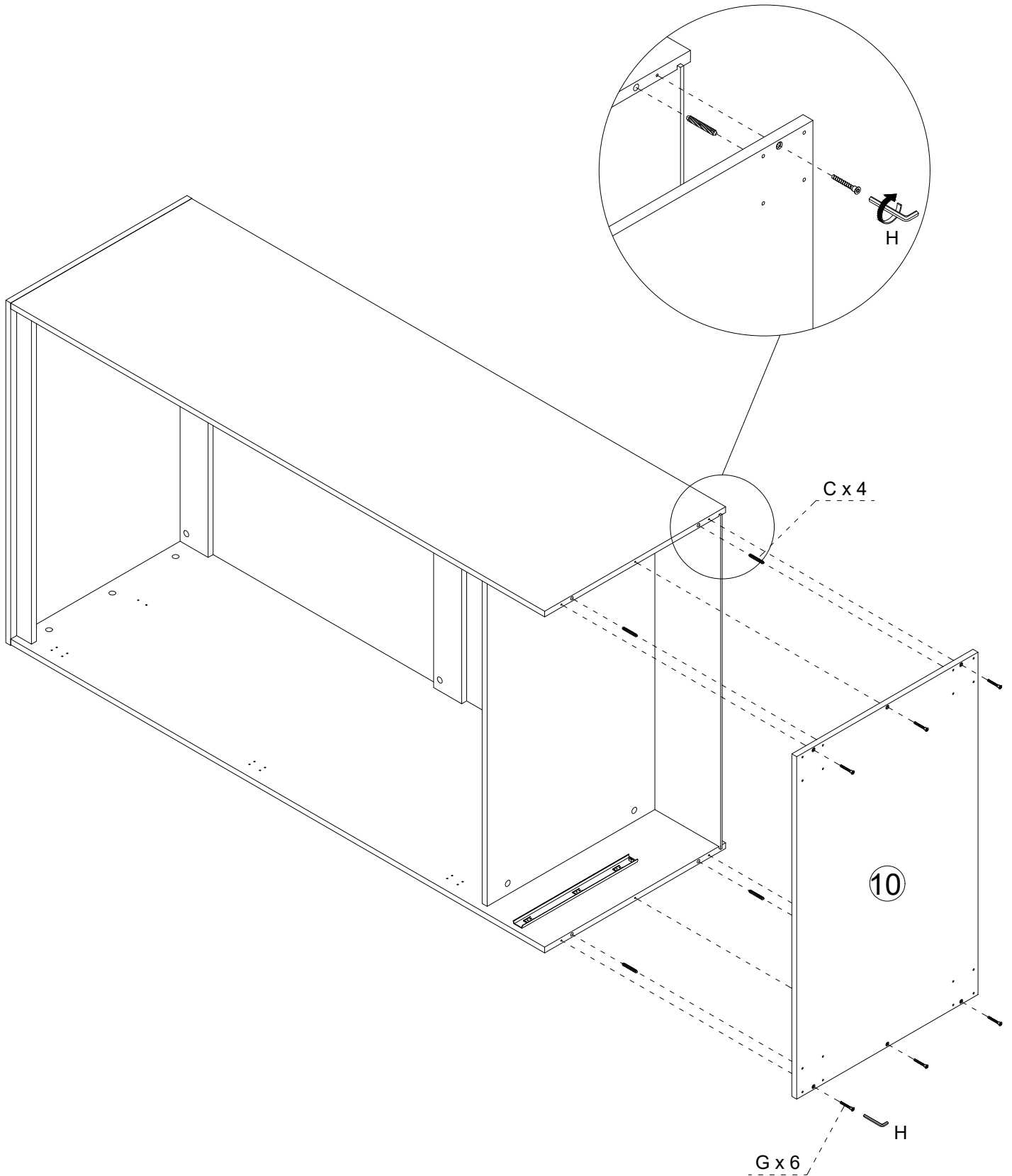
#### 4. Attach the frame to the Top.



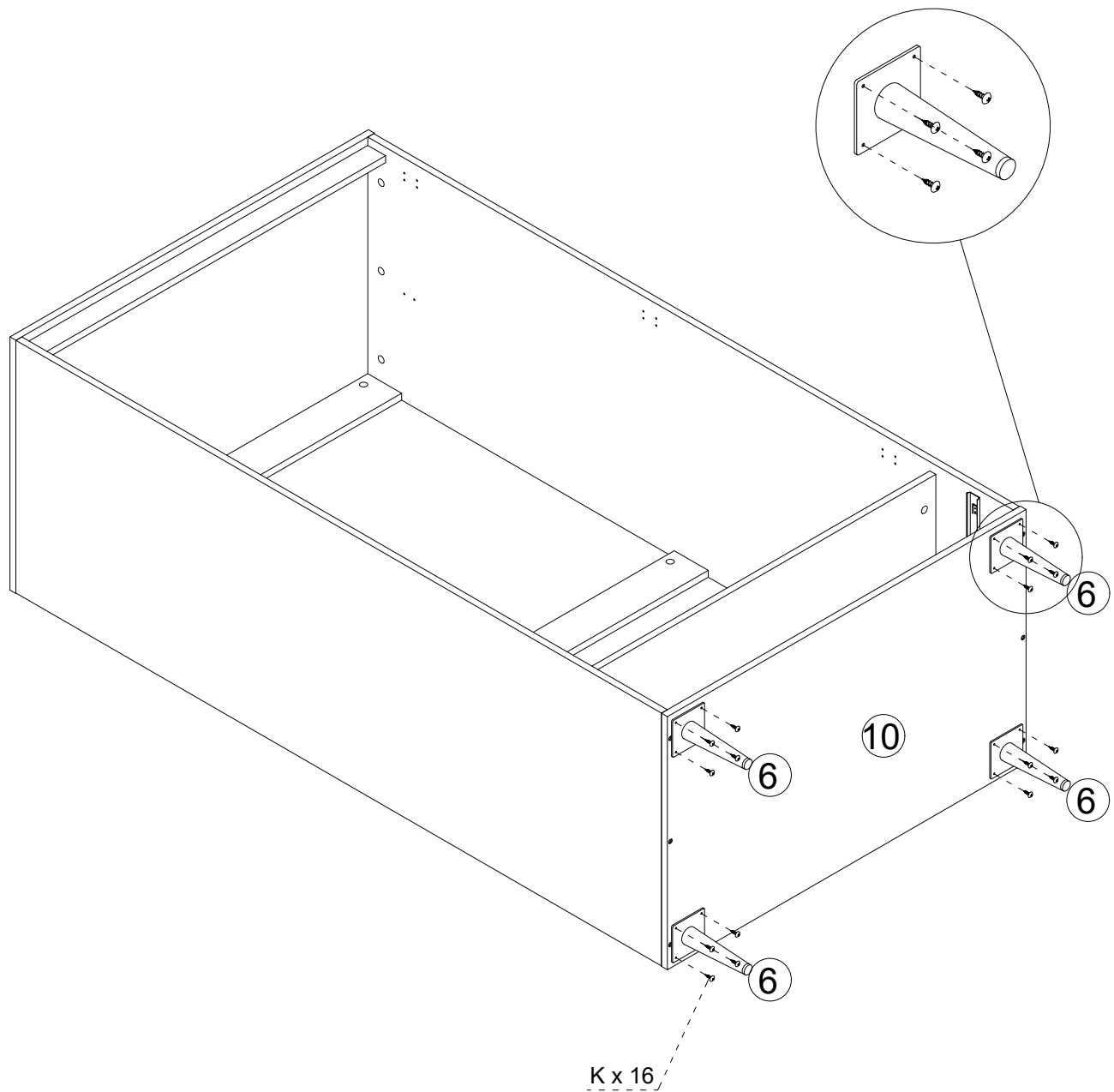
## 5. Assemble the back panel.




## 6. Attach the bottom panel to the frame.

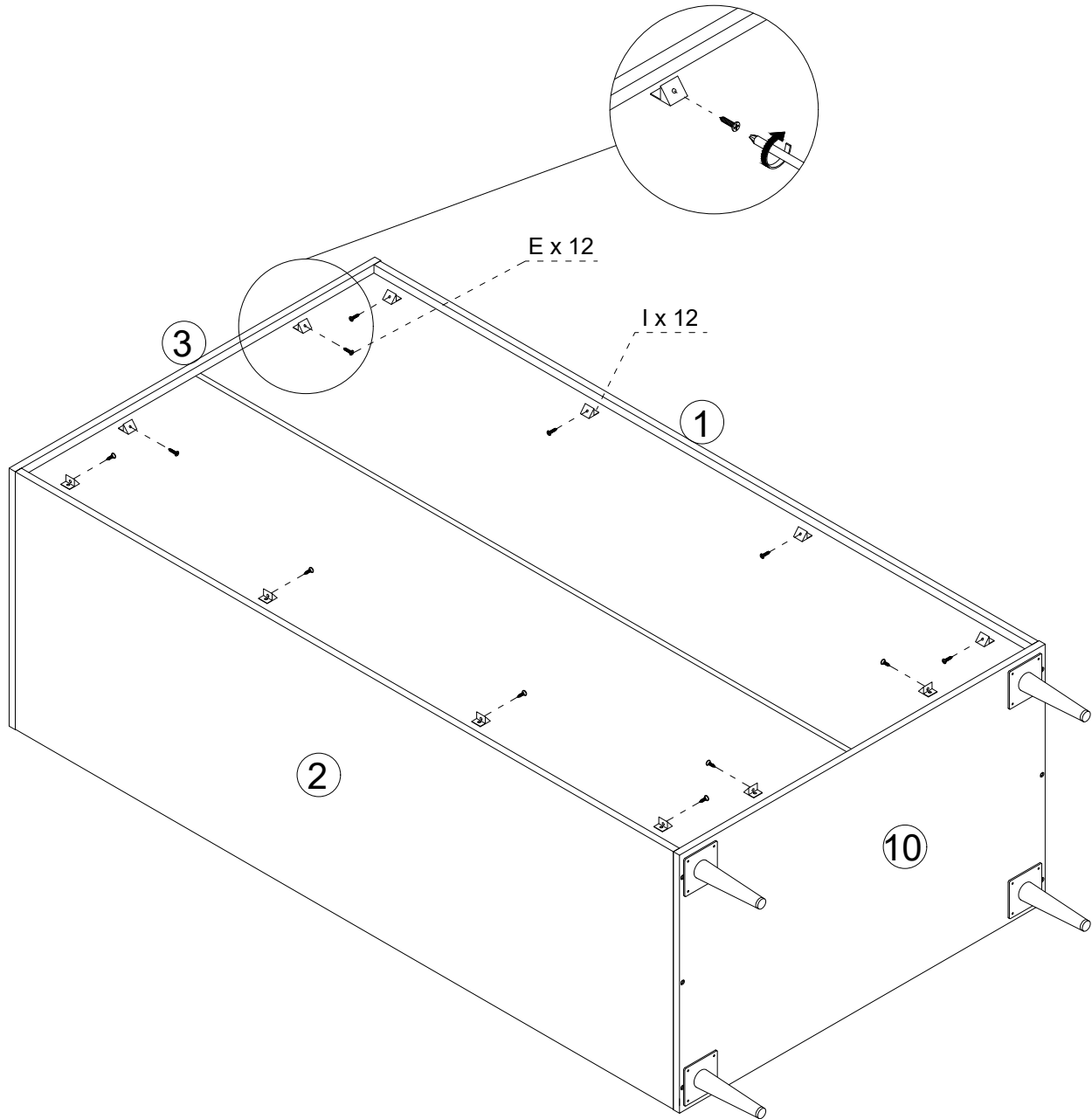



## 7. Attach the legs to the frame.




|               |   |
|---------------|---|
| K             |  |
| M4*14mm Screw |   |
| 16pcs         |   |

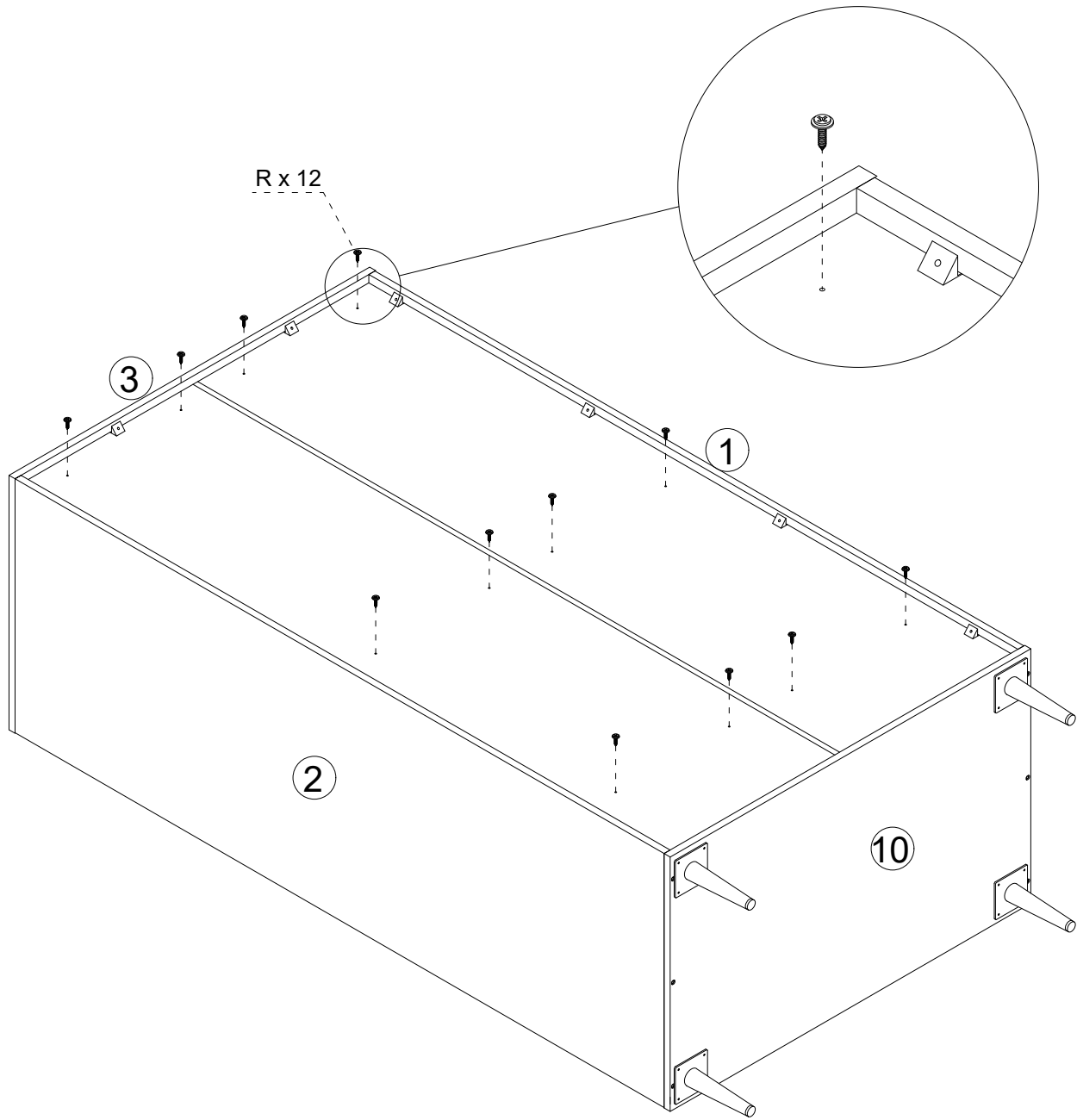
## 8. Attach the plastic buckle the frame




|               |   |
|---------------|---|
| <b>E</b>      |  |
| M3*14mm Screw |   |
| 12pcs         |   |

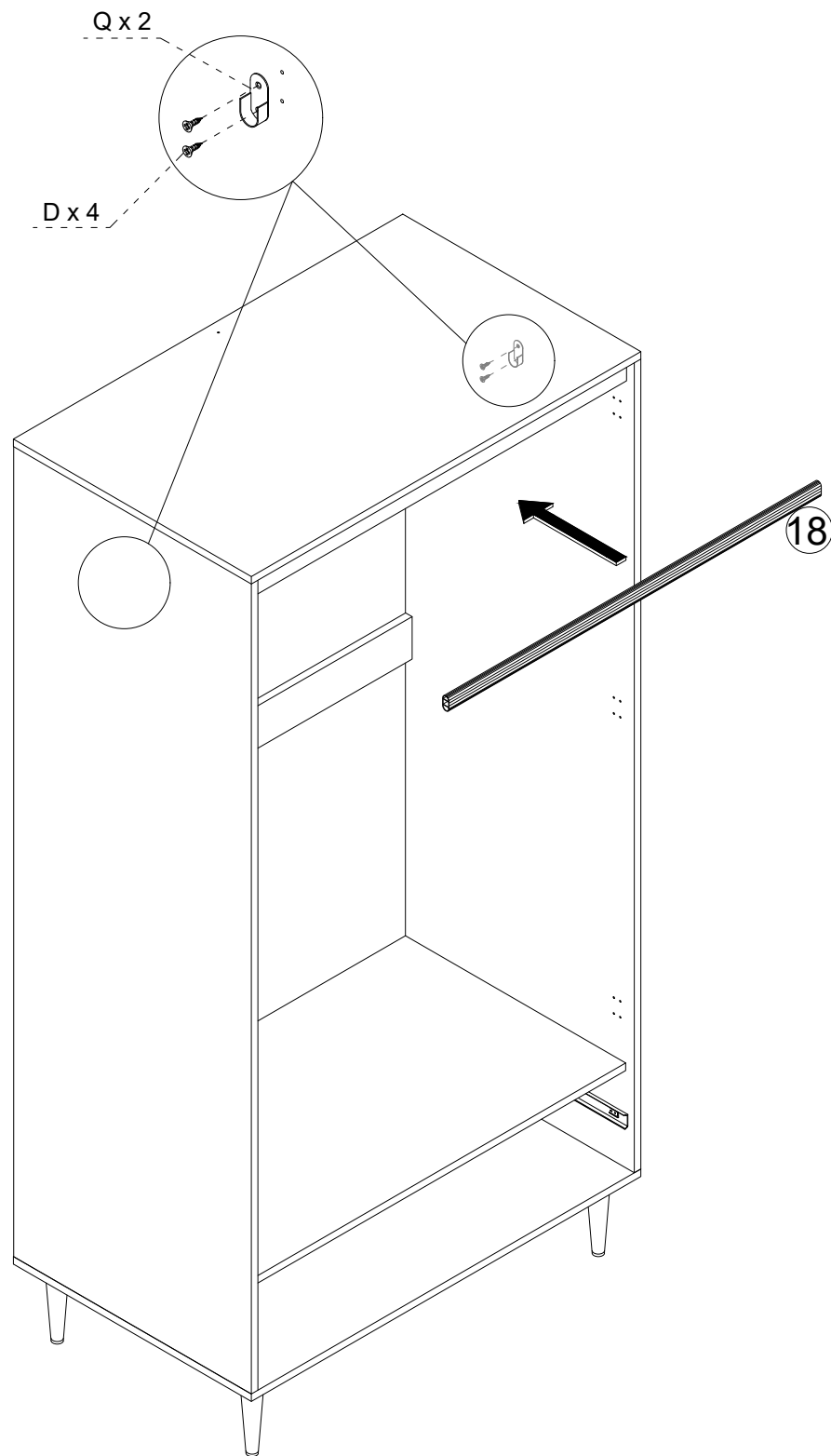
|                       |   |
|-----------------------|---|
| <b>I</b>              |  |
| 15x9mm Plastic Buckle |   |
| 12pcs                 |   |


# 9. Attach the screws to the frame.





|               |   |
|---------------|---|
| R             |  |
| M3*14mm Screw |   |
| 12pcs         |   |

## 10. Assemble the Clothes poles.



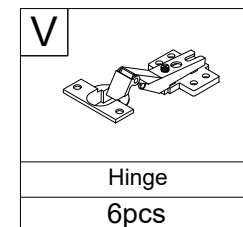
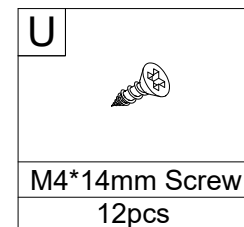
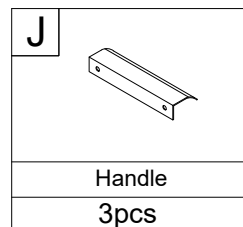
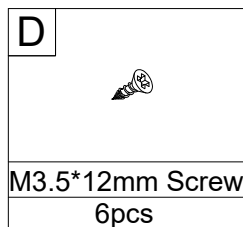
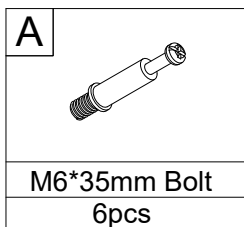
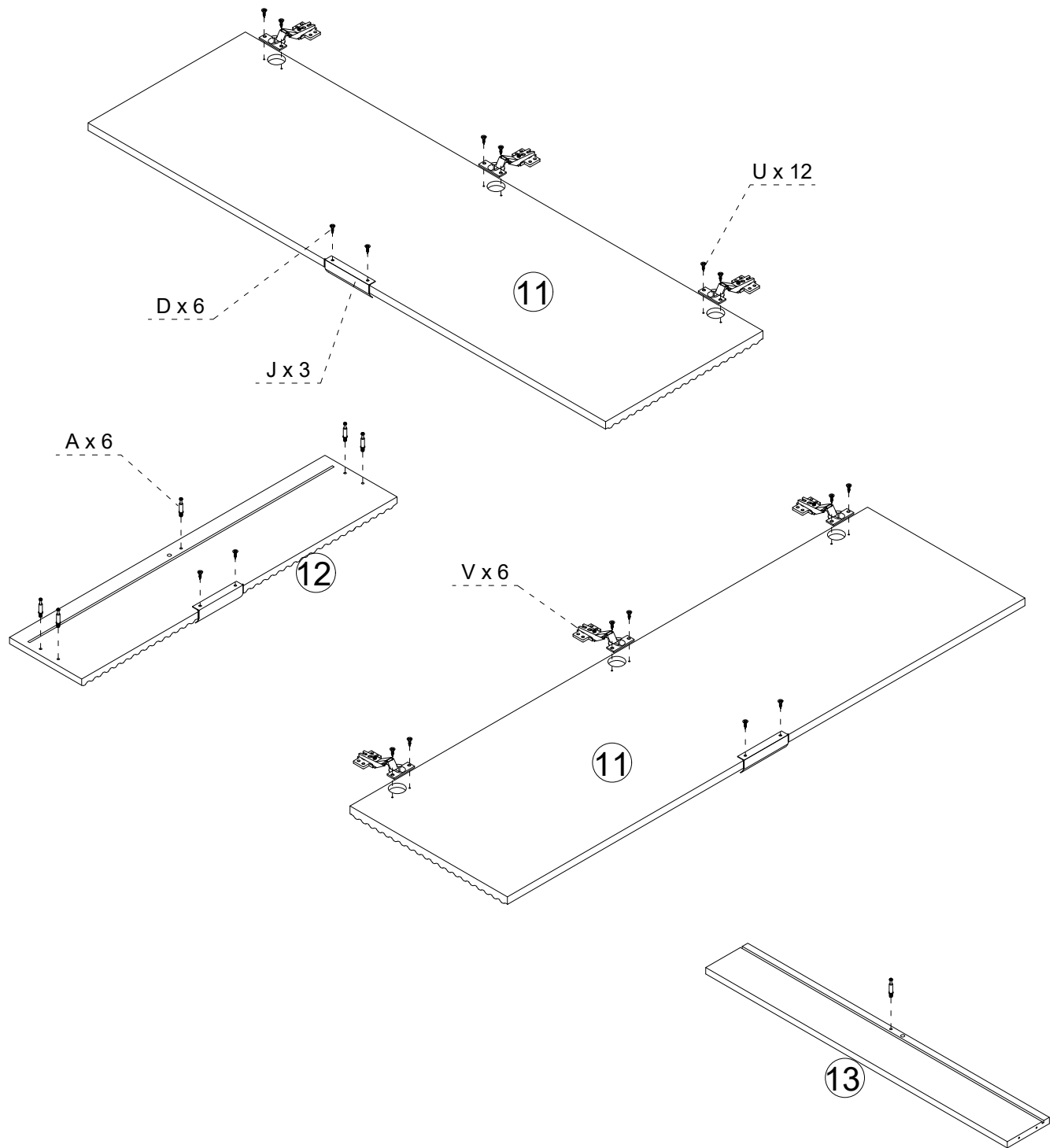
|   |
|---|
| <b>D</b>  |
|  |
| M3.5*12mm Screw<br>4pcs   |

|   |
|---|
| <b>Q</b>  |
|  |
| Clothes Tray<br>2pcs  |

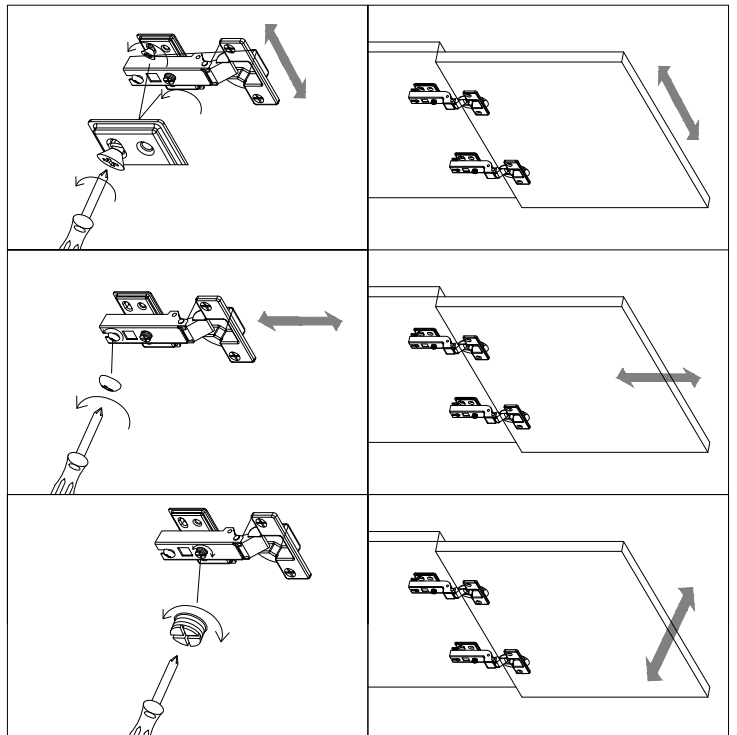
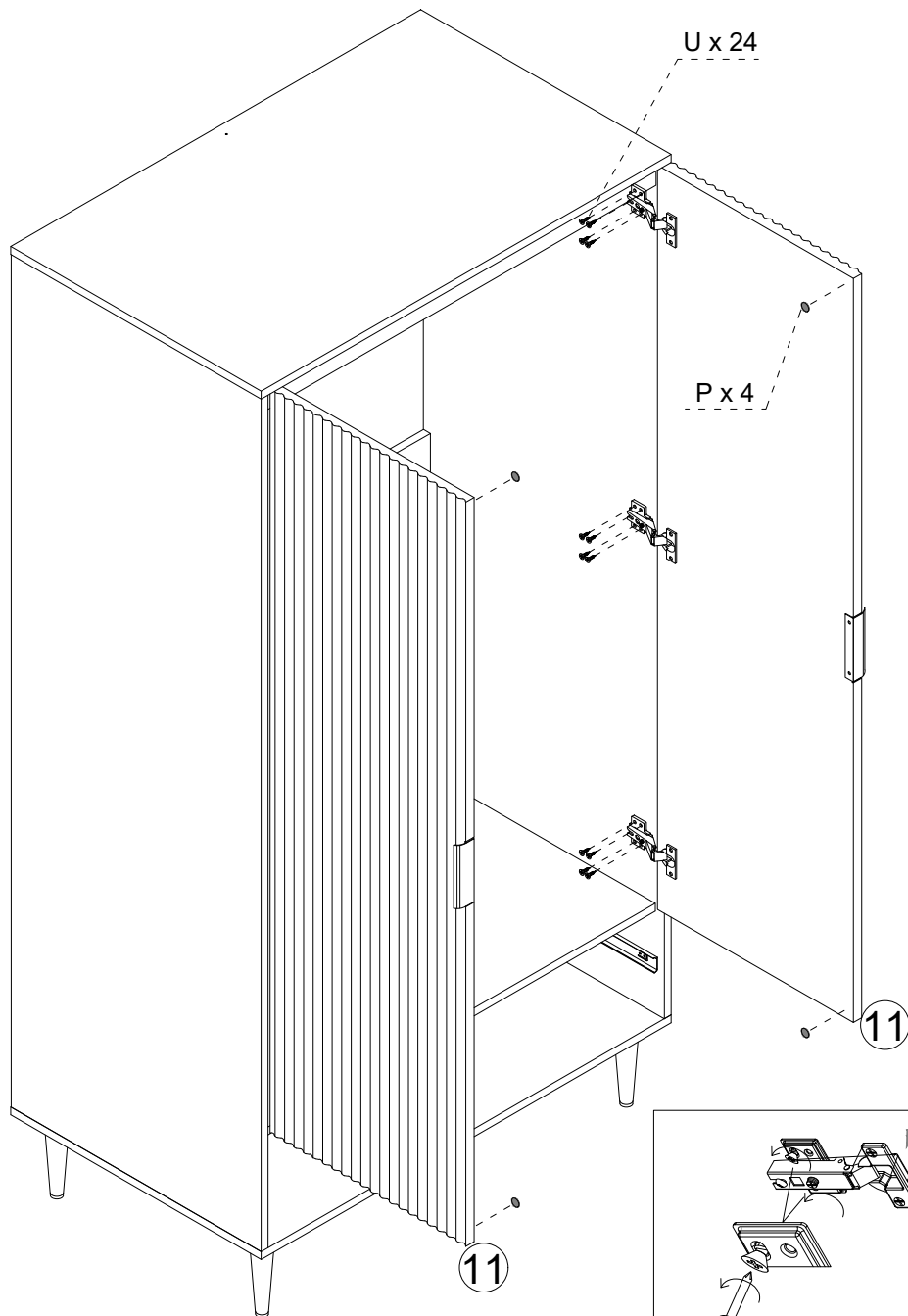
|   |
|---|
| <b>R</b>  |
|  |
| Clothes Poles<br>1pc  |





# 11. Attach parts to the door and drawer front



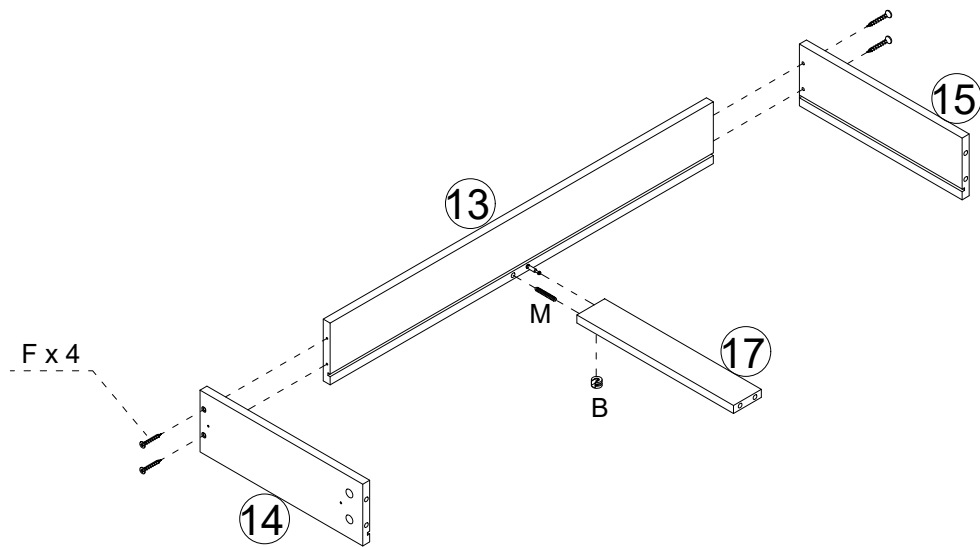
## 12. Attach parts to the frame.






|               |   |
|---------------|---|
| <b>U</b>      |  |
| M4*14mm Screw |   |
| 24pcs         |   |

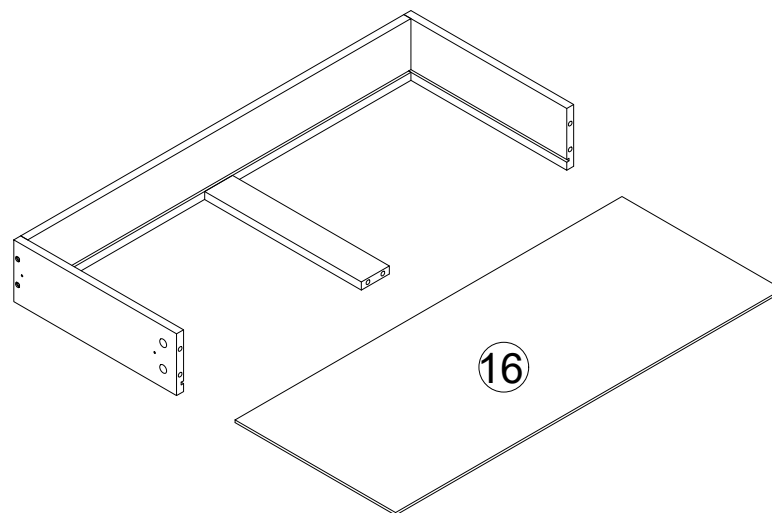
|          |   |
|----------|---|
| <b>P</b> |  |
| Cover    |   |
| 4pcs     |   |

### 13. Assemble the drawer.

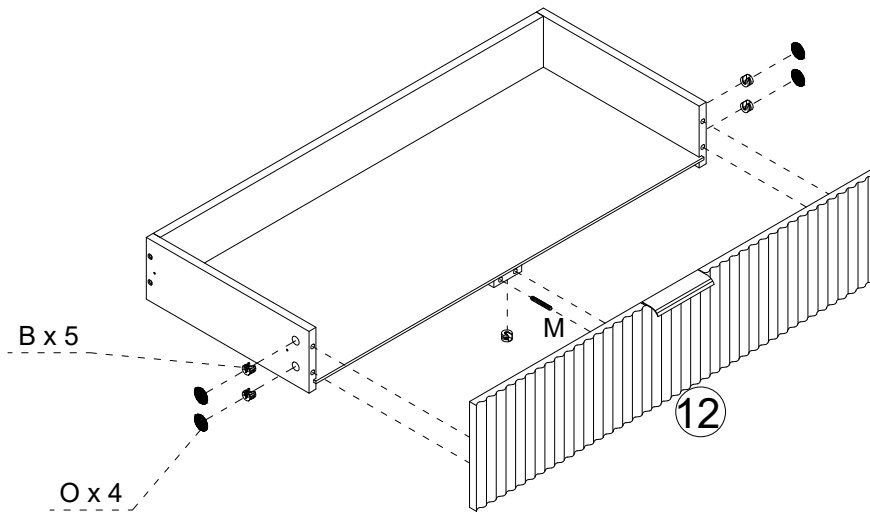



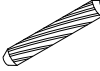

|   |   |   |
|---|---|---|
| <b>B</b><br> | <b>F</b><br> | <b>M</b><br> |
| Ø15x9.5mm Cam Lock<br>1pc   | M4*35mm Screw<br>4pcs   | Ø6x30mm Dowel<br>1pc  |

### 14. Assemble the drawer.

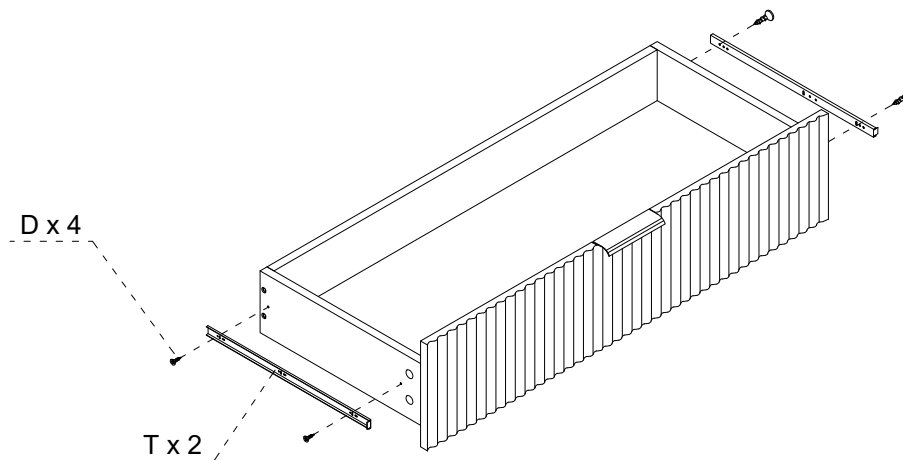



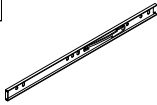
## 15. Assemble the drawer.

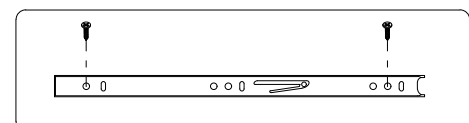


|                    |   |               |   |          |   |
|--------------------|---|---------------|---|----------|---|
| <b>B</b>           |  | <b>M</b>      |  | <b>O</b> |  |
| Ø15x9.5mm Cam Lock |   | Ø6x30mm Dowel |   | Cover    |   |
| 5pcs               |   | 1pc           |   | 4pcs     |   |

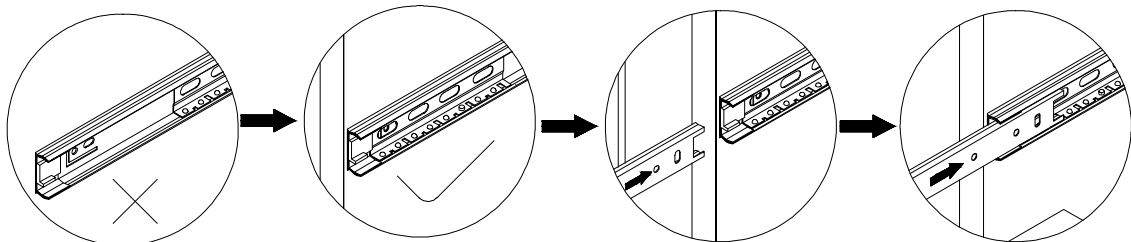
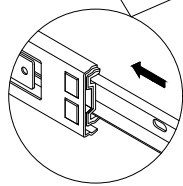
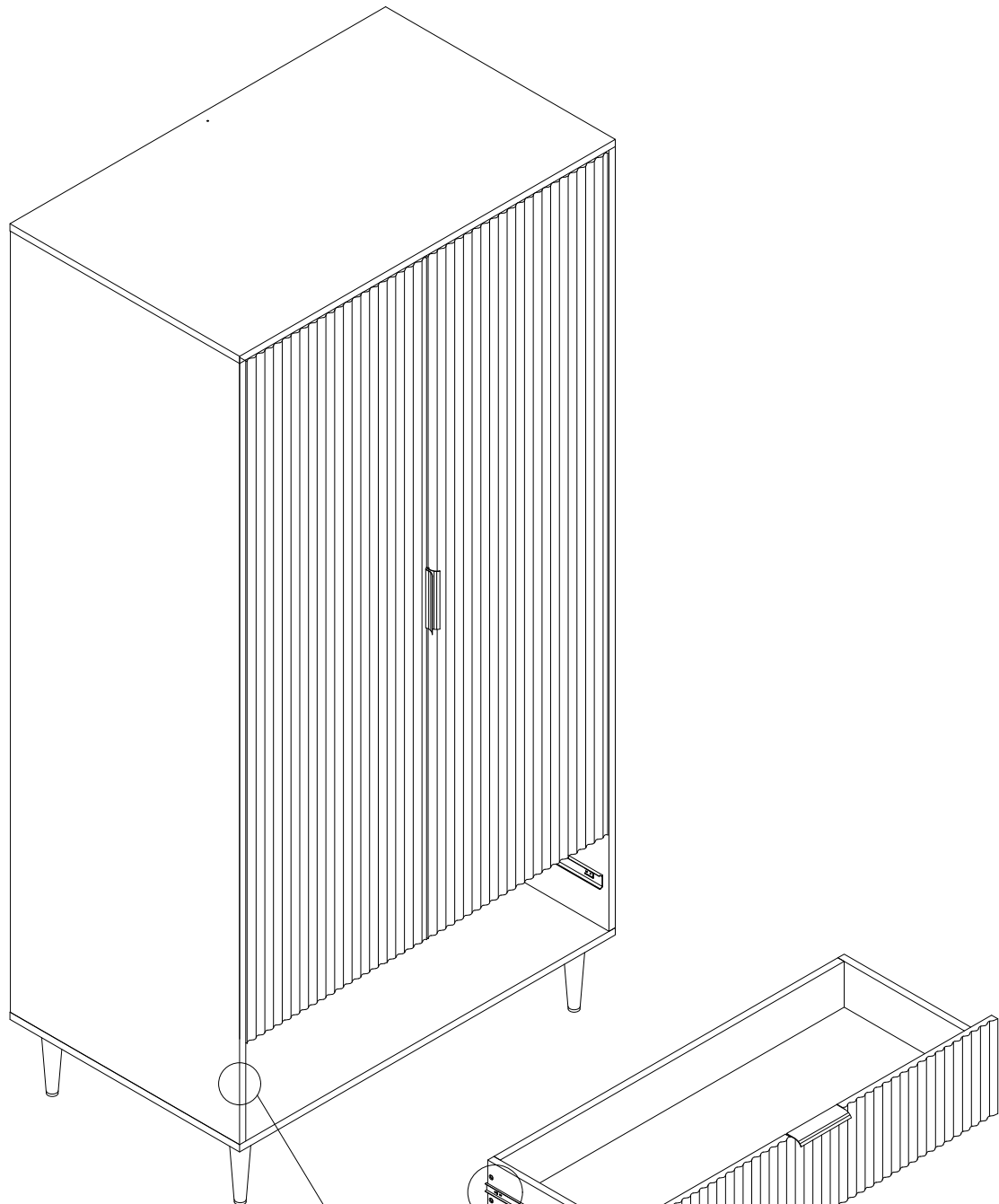
## 16. Attach the slide part T to the drawer.



|                 |   |          |   |
|-----------------|---|----------|---|
| <b>D</b>        |  | <b>T</b> |  |
| M3.5*12mm Screw |   | Orbit    |   |
| 4pcs            |   | 2pcs     |   |



# 17. Assemble the drawer to the Wardrobe.



## 18. Fix the L-shaped Bracket to the wall.

