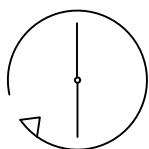
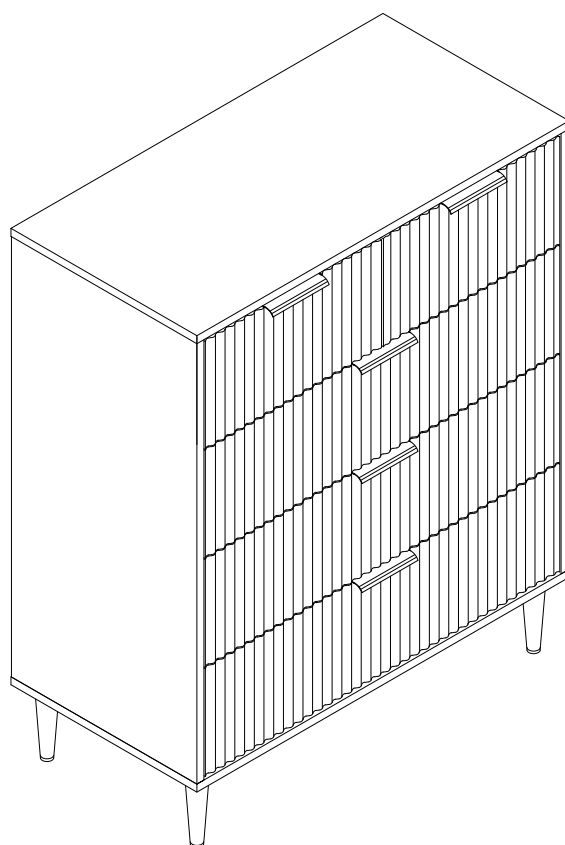


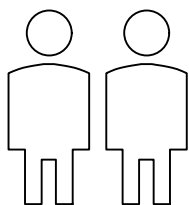
**DUSK.COM**  
LIVING | BEDROOM | DINING

Range Name : EVIE  
Box dimensions : 113x51x26.5cm

## Evie Tall Chest



Up to 30 minutes  
assembly time



Two person  
assembly

This product is intended for domestic use only, not for commercial purposes.

## IMPORTANT

### ASSEMBLY TIP

Before you begin, it's best to identify all of the parts and fittings to build your Evie Tall Chest frame. We advise laying these out on the floor to check you have everything, and to familiarise yourself with all of the parts and fittings before building.

### TOP TIP

We recommend that you assemble the Evie Tall Chest in the room you'd like it to be located. This will help prevent any risk of damage to the frame whilst moving it.

### SAFETY AND CARE

It's important to ensure children and animals are kept away from the assembly area, as there are small components used in this product which could present a choking hazard. All plastic and wrapping materials should also be kept away from children and animals to prevent any risk of suffocation.

### HELP AND SUPPORT

Please contact our customer service team on 0113 519 0311 if you have any questions or issues with your purchase.

### RECYCLING

Please ensure that packaging is disposed of in a safe and environmentally friendly way, and recycle where possible. Please keep your assembly instructions safe to refer back to in the future.

### CARE AND MAINTENANCE:

1. Only clean using a damp cloth, do not use bleach or abrasive cleaners as they may damage the finish over time.
2. Do not use a very wet cloth or allow any liquid to contact with the veneer for a long period of time. Wipe any spillage immediately. Absorption can cause wood to warp or finishes to de-laminate.
3. Do not scrub or rub the surface when cleaning.
4. Do not drag the Evie Tall Chest when moving, lift it off the floor instead.
5. Use a placemat or a coaster when putting hot items (e.g. hot drinks and dishes) on the wood surface.
6. It is not recommended to place the item next to sources of heat such as radiators, fires or directly exposed to sunlight. This may cause the wood to crack, split or fade due to the heat and humidity.
7. Wood will mellow and change colour over time, we recommend that ornaments and items placed on the surface to be moved regularly to prevent uneven mellowing.
8. Regularly check all fixings to ensure none have come loose. Re-tighten if necessary.
9. Avoid sharp items such as a screwdriver or any pointy tools.
10. Dispose of all packaging carefully and responsibly - recycle where possible.

# Parts list

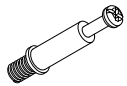








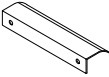





Before you begin building your Evie Tall Chest, please take a moment to read through the instructions and make sure that you have all the relevant parts listed on the parts check list.

Part Number	Part Description	Quantity
①	Left Side Panel	1pc
②	Right Side Panel	1pc
③	Top	1pc
④	Back Panel	1pc
⑤	Back slats	1pc
⑥	Leg	4pcs
⑦	Bottom Panel	1pc
⑧	Drawer Left Side	5pcs
⑨	Drawer Right Side	5pcs
⑩	Drawer Back Side	3pcs
⑪	Drawer Bottom	3pcs

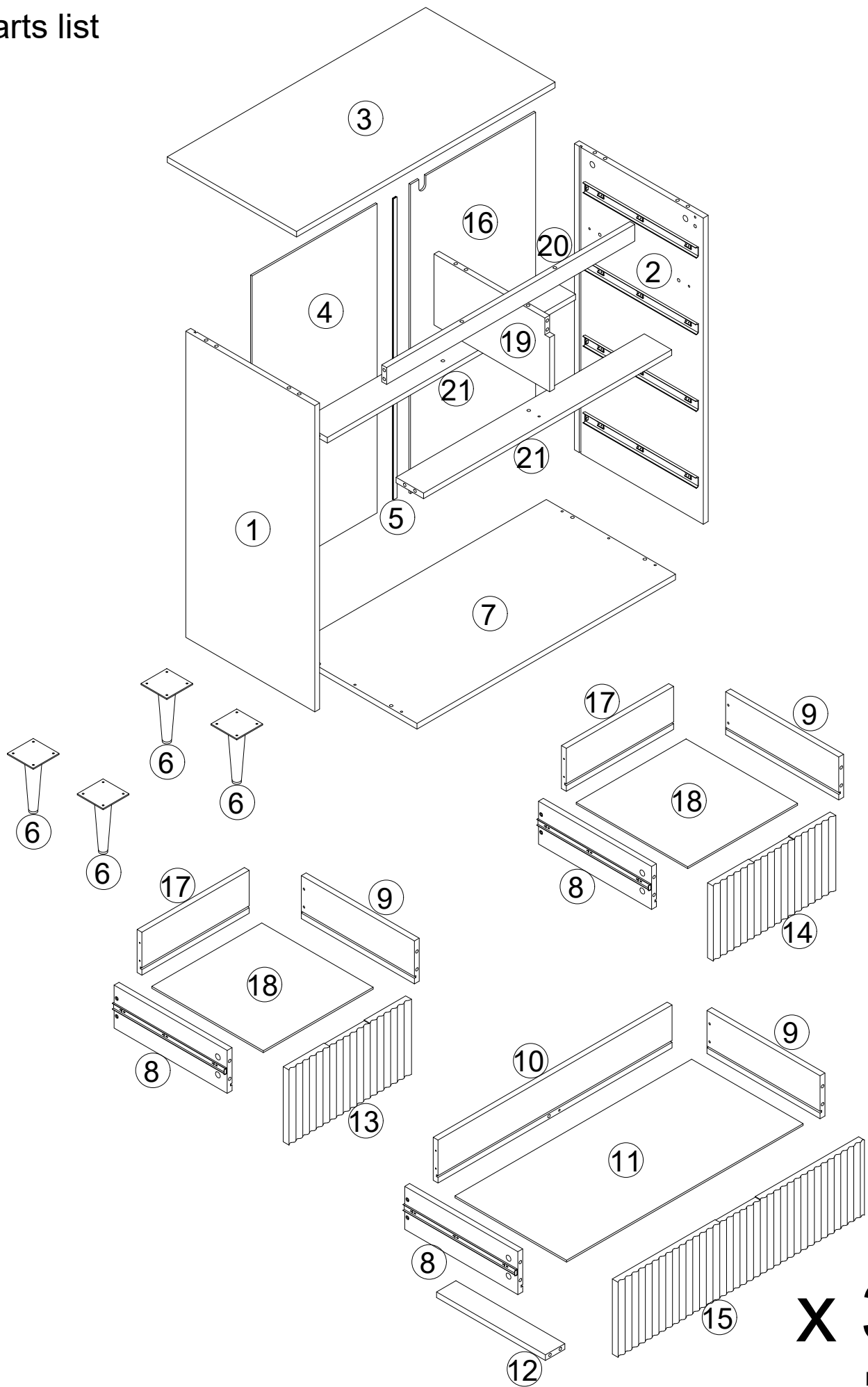
Part Number	Part Description	Quantity
⑫	Drawer Floor	3pcs
⑬	Left Drawer Front	1pc
⑭	Right Drawer Front	1pc
⑮	Drawer Front	3pcs
⑯	Back Panel	1pc
⑰	Drawer Back Side	2pcs
⑱	Drawer Bottom	2pcs
⑲	Middle Panel	1pc
⑳	Centre Support	1pc
㉑	Centre Support	2pcs

# Fittings

Please check you have all the fittings listed below with your product.

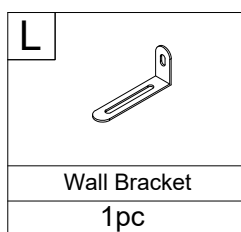
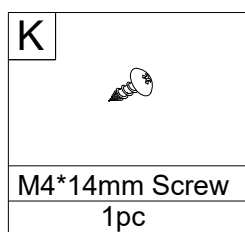
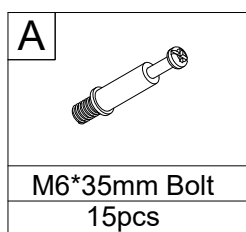
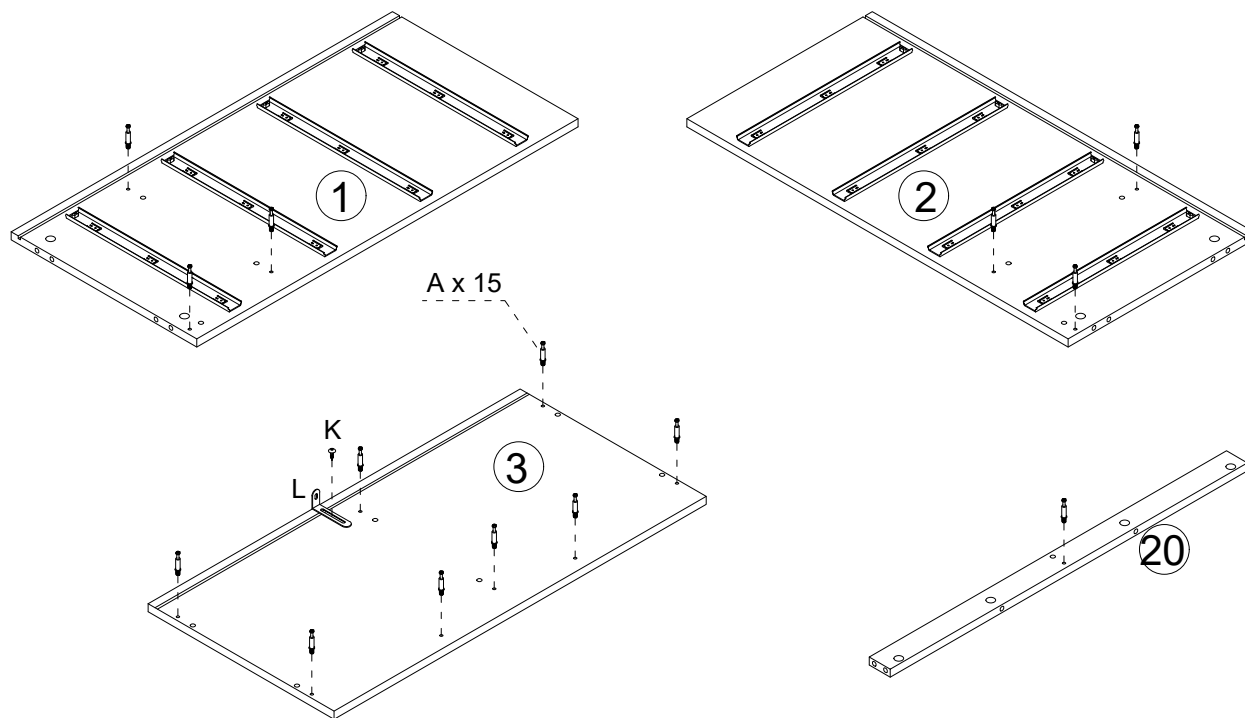
 <p>M6*35mm Bolt 41pcs+2pcs extra</p>	 <p>Ø15x9.5mm Cam Lock 41pcs+2pcs extra</p>	 <p>Ø8x30mm Dowel 19pcs+1pc extra</p>	 <p>M3.5*12mm Screw 10pcs+1pc extra</p>	 <p>M3*14mm Screw 8pcs+1pc extra</p>
 <p>M4*35mm Screw 23pcs+2pcs extra</p>	 <p>M5*40mm Screw 6pcs</p>	 <p>3mm Allen Key 1pc</p>	 <p>15x9mm Plastic Buckle 8pcs+1pc extra</p>	 <p>Handle 5pcs</p>
 <p>M4*14mm Screw 17pcs+1pc extra</p>	 <p>Wall Bracket 1pc</p>	 <p>Ø6x30mm Dowel 6pcs</p>	 <p>Ø6x30mm Wall Plug 1pc</p>	 <p>Cover 20pcs+2pcs extra</p>

# Parts list

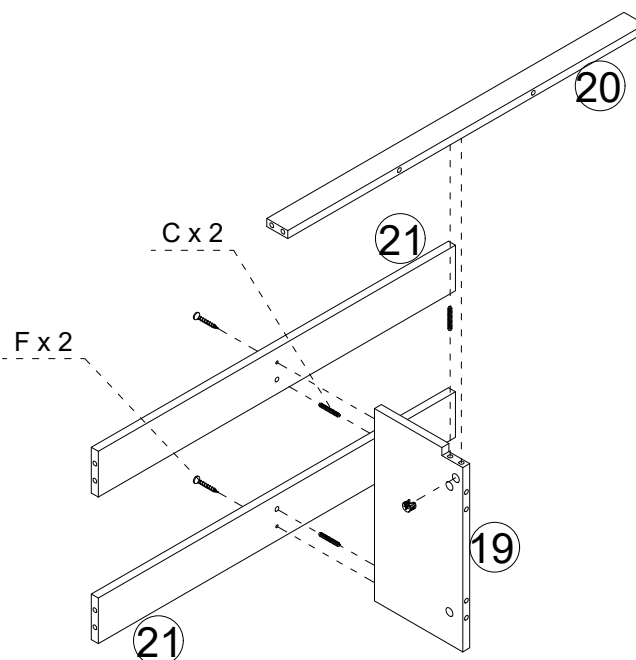
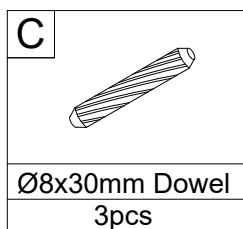
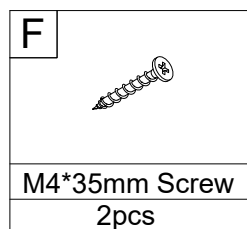
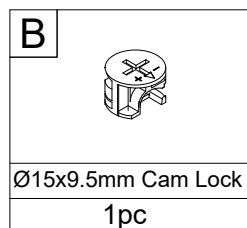


x 3

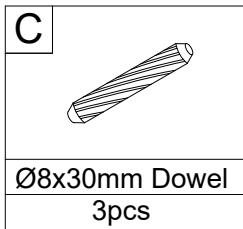
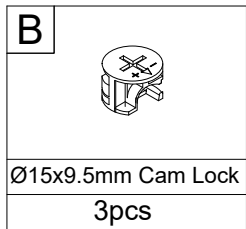
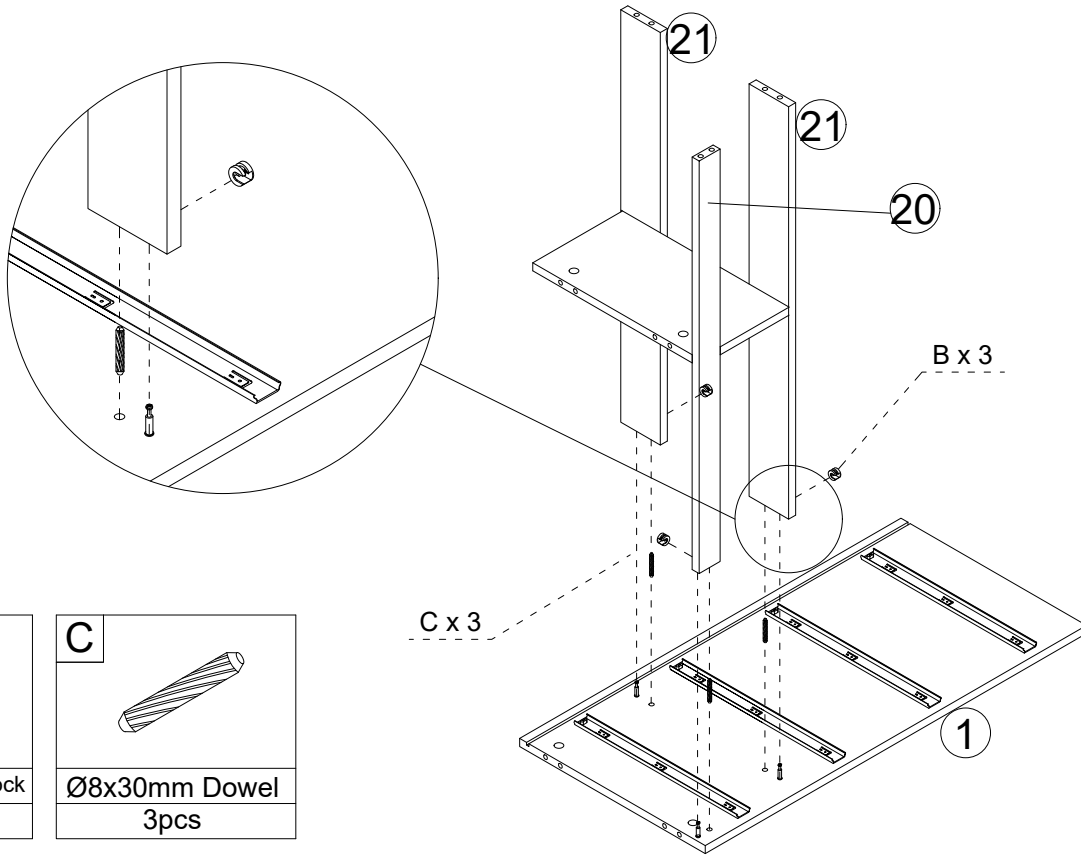
## 1. Attach parts to the Top.



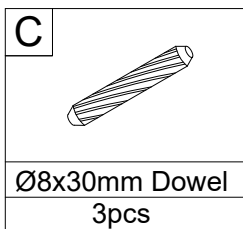
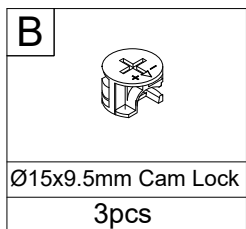
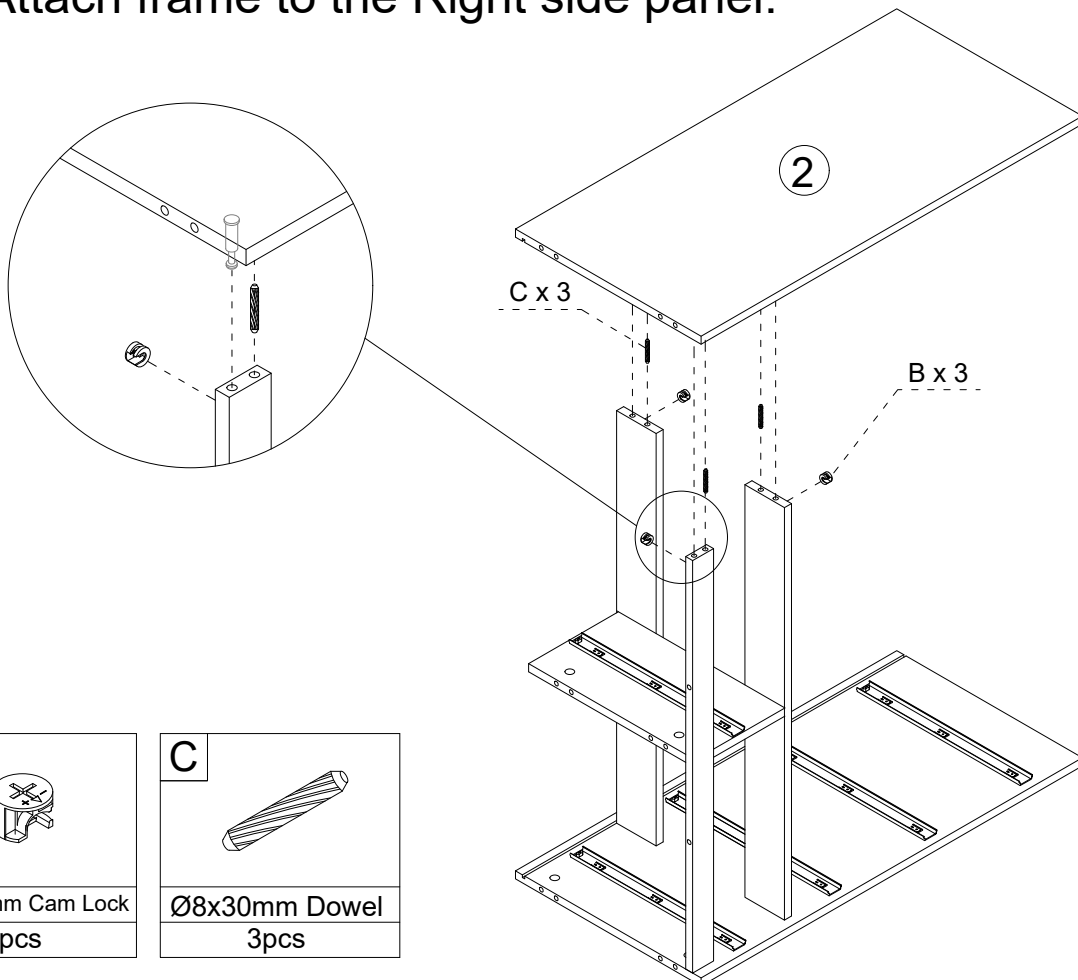
## 2. Attach centre supports to the middle panel.



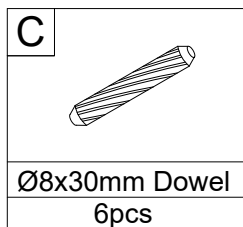
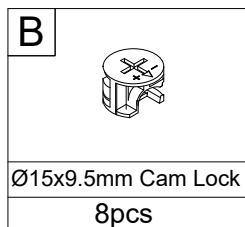
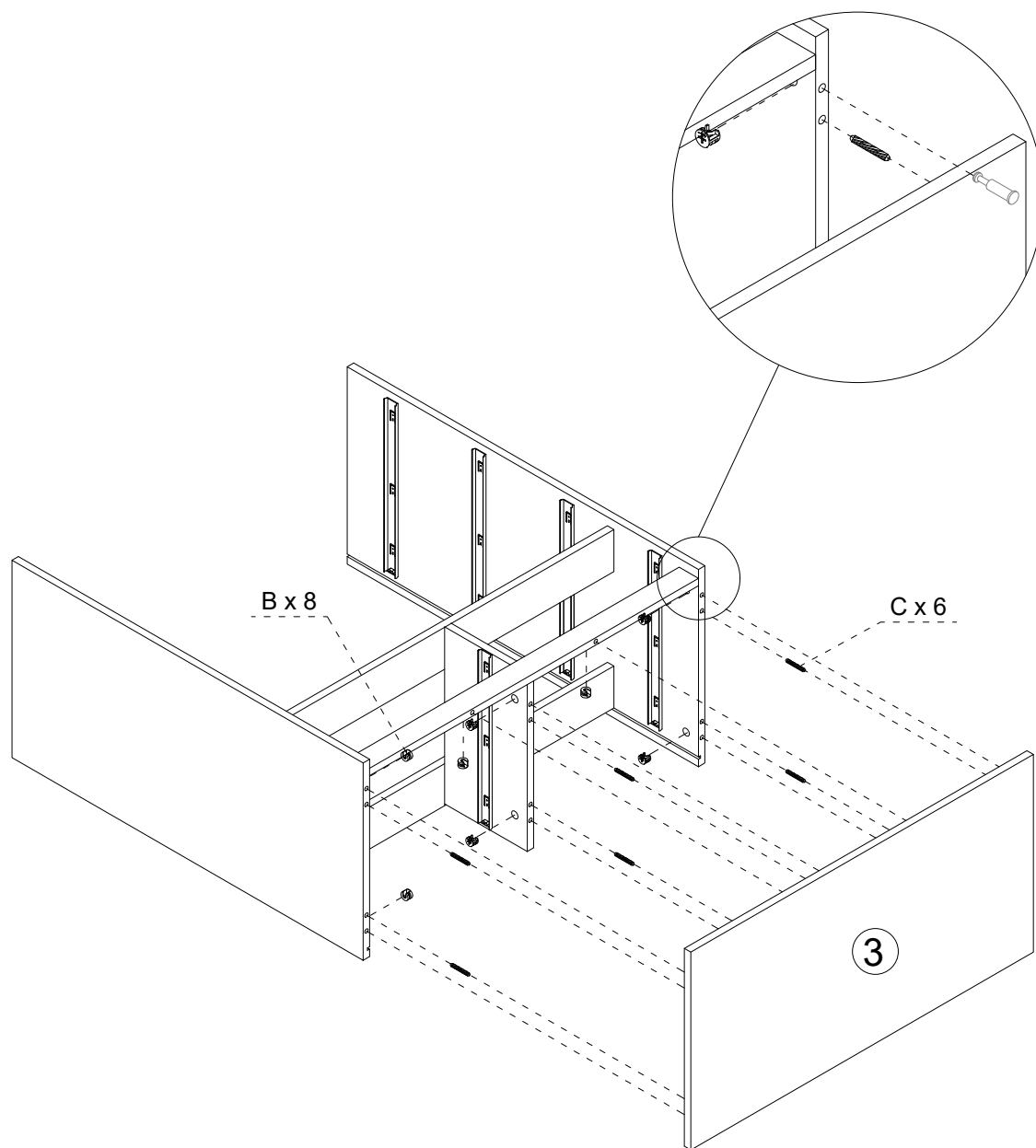
### 3. Attach frame to the Left side panel.



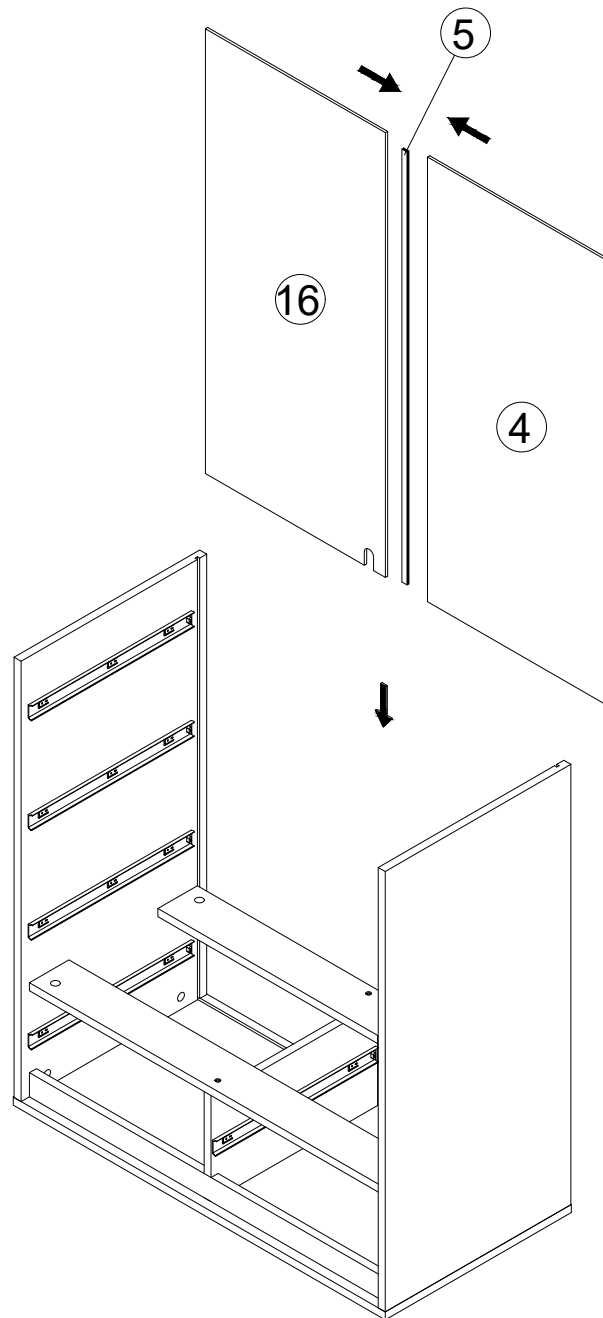
### 4. Attach frame to the Right side panel.



## 5. Attach frame to the Top.

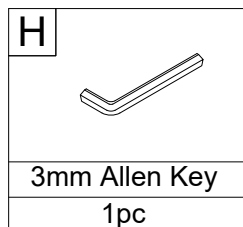
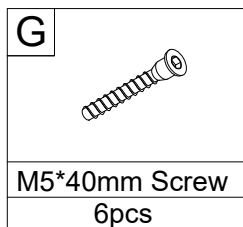
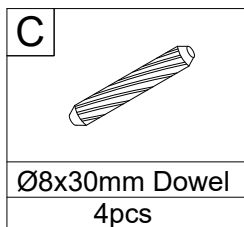
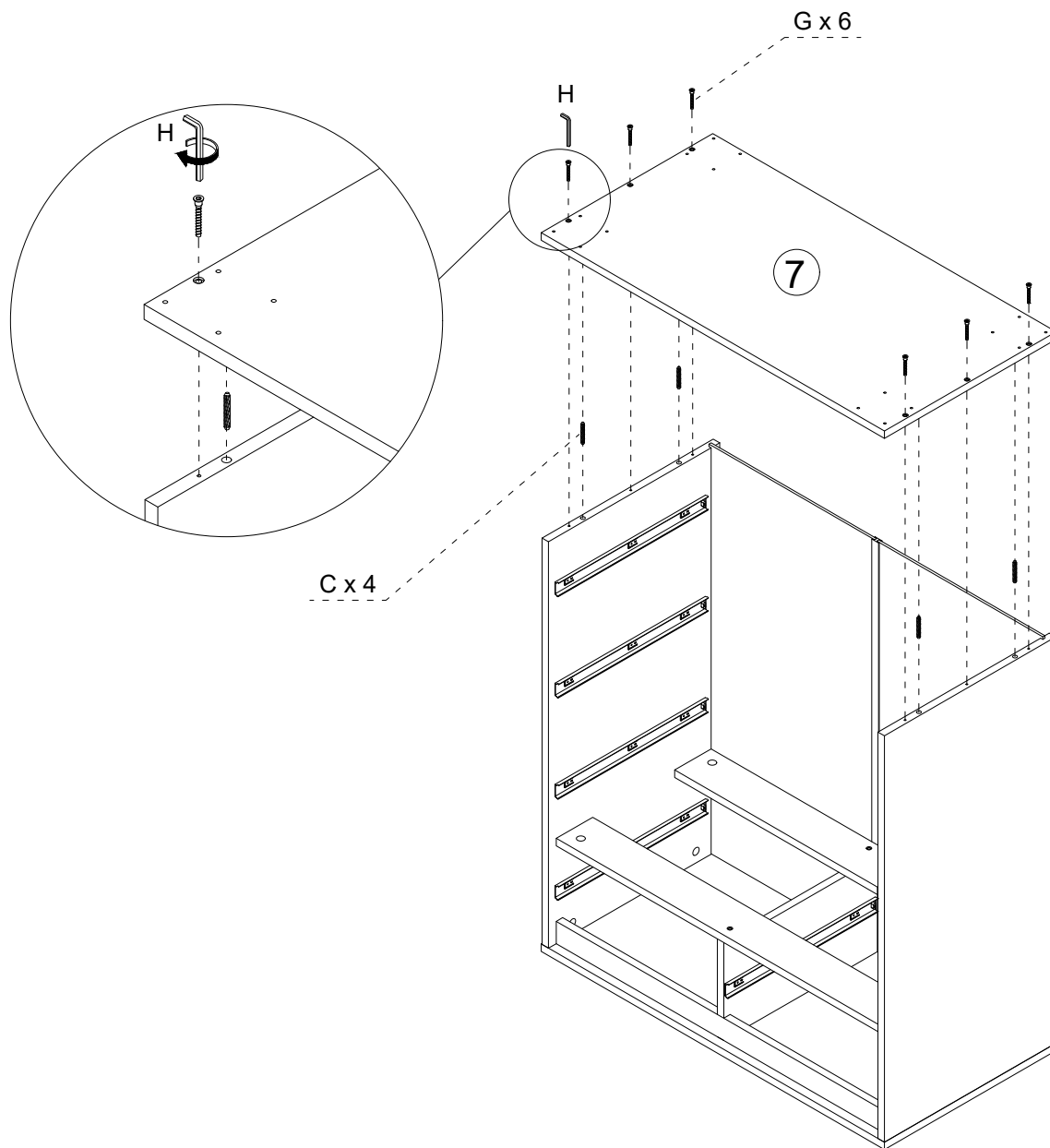


## 6. Assemble the back panels.

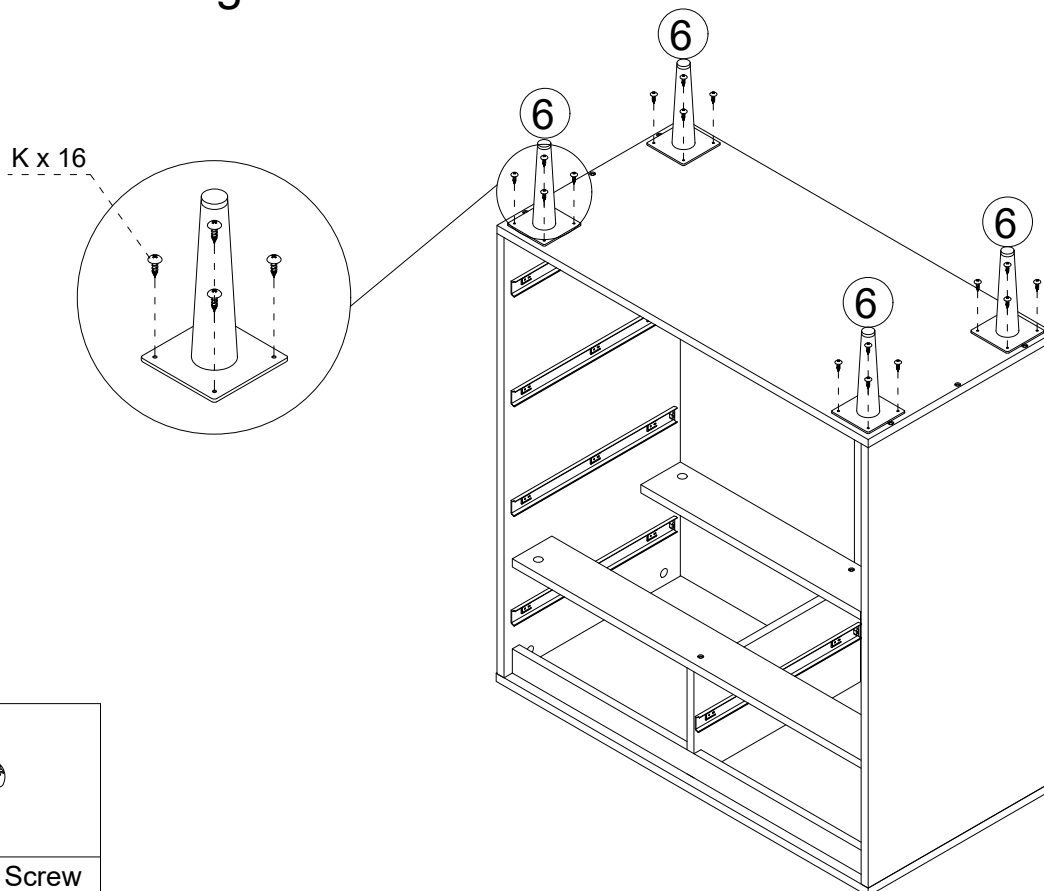





## 7. Attach frame to the bottom panel.

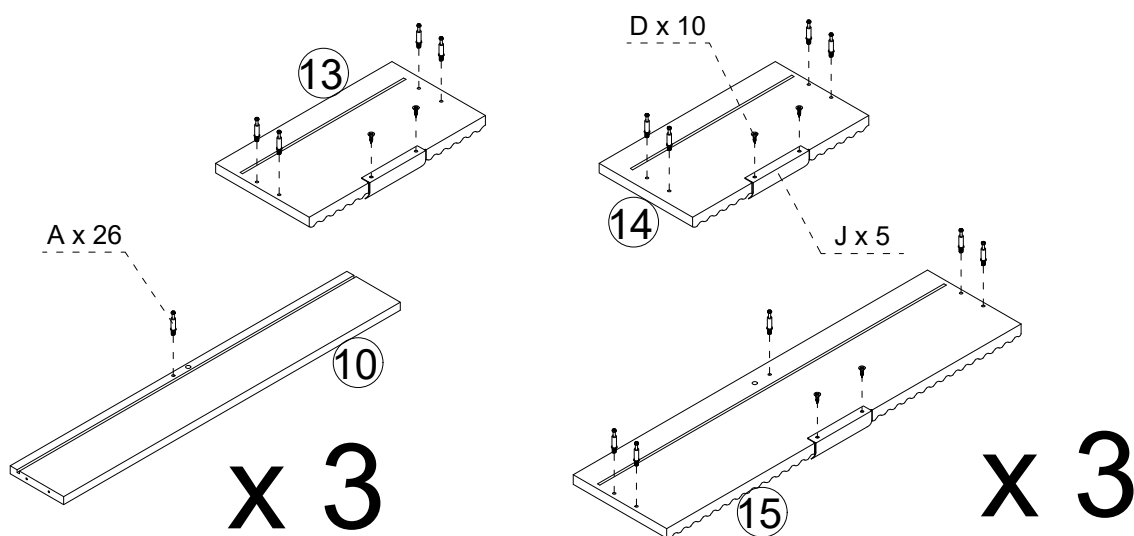


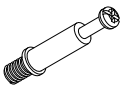
## 8. Attach the legs to the frame.




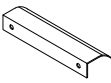
<b>K</b>	
M4*14mm Screw	
16pcs	

## 9. Assemble the drawers.

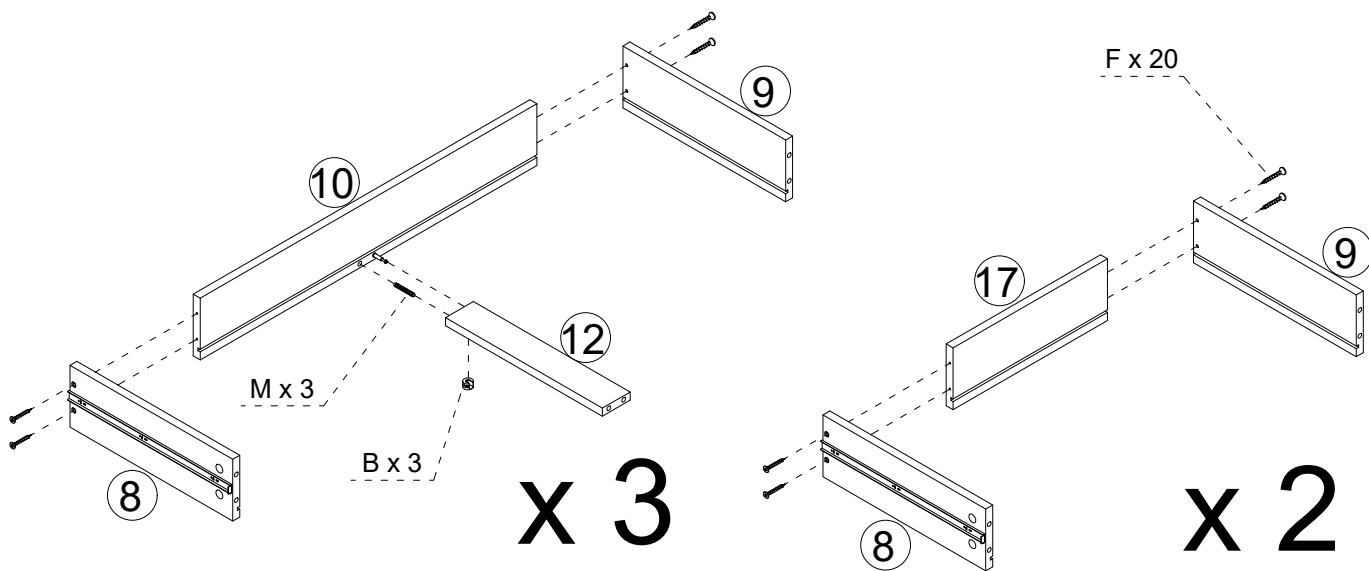



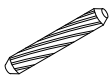

<b>A</b>	
M6*35mm Bolt	
26pcs	

<b>D</b>	
M3.5*12mm Screw	
10pcs	

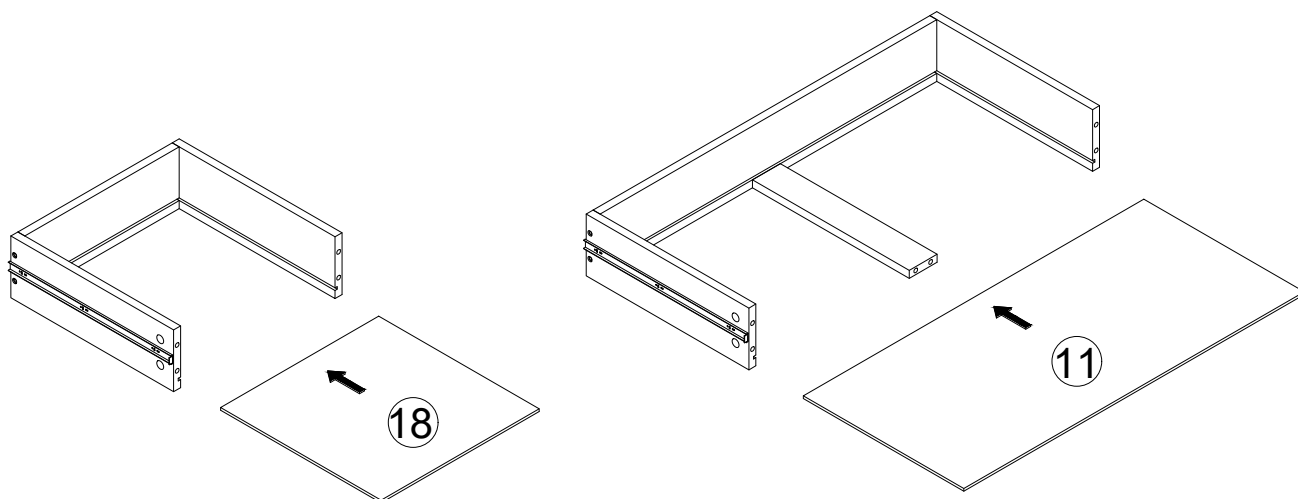
<b>J</b>	
Handle	
5pcs	

## 10. Assemble the drawers.

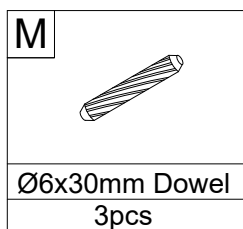
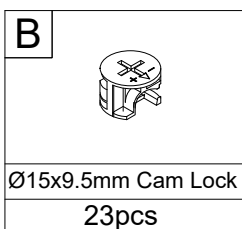
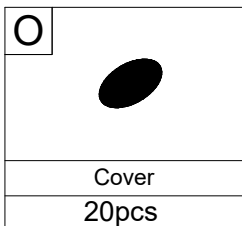
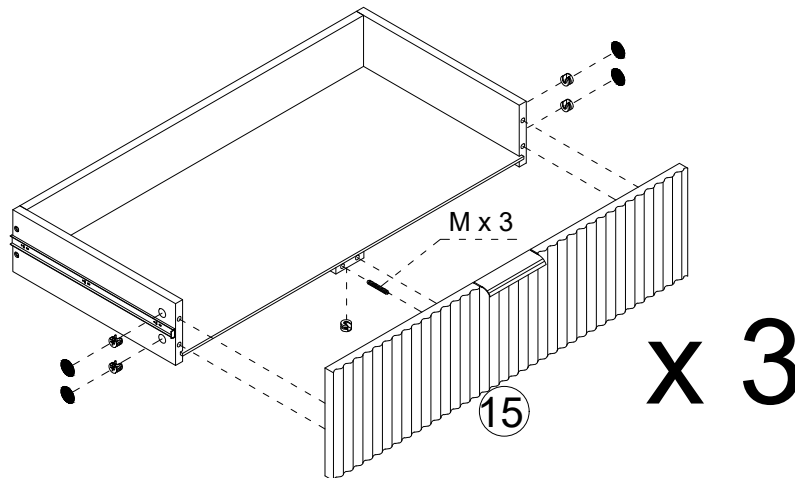
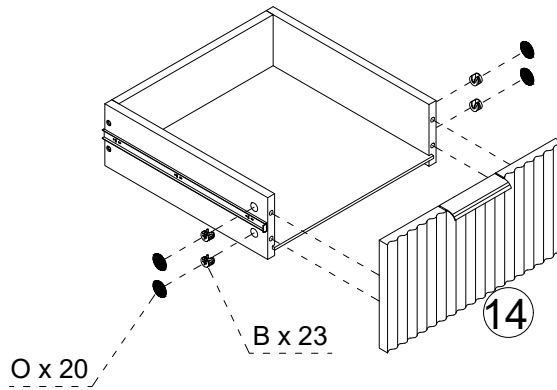
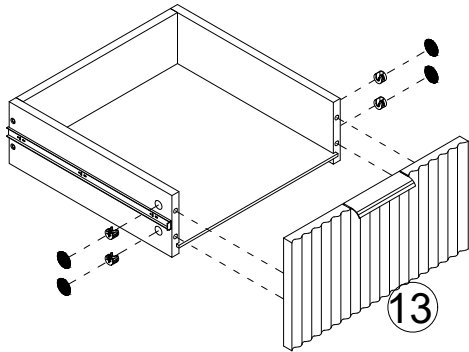


<b>B</b>		<b>M</b>		<b>F</b>	
Ø15x9.5mm Cam Lock 3pcs		Ø6x30mm Dowel 3pcs		M4*35mm Screw 20pcs	

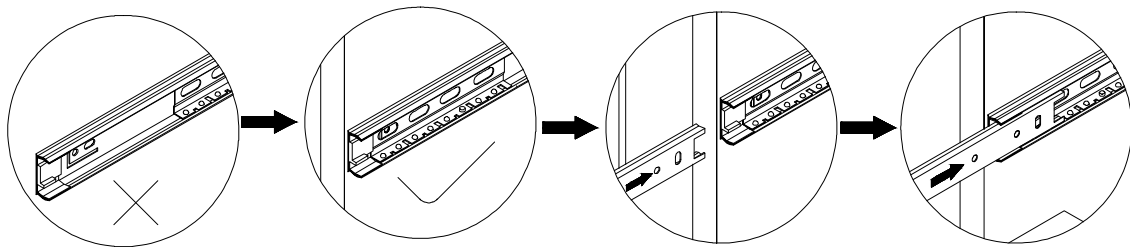
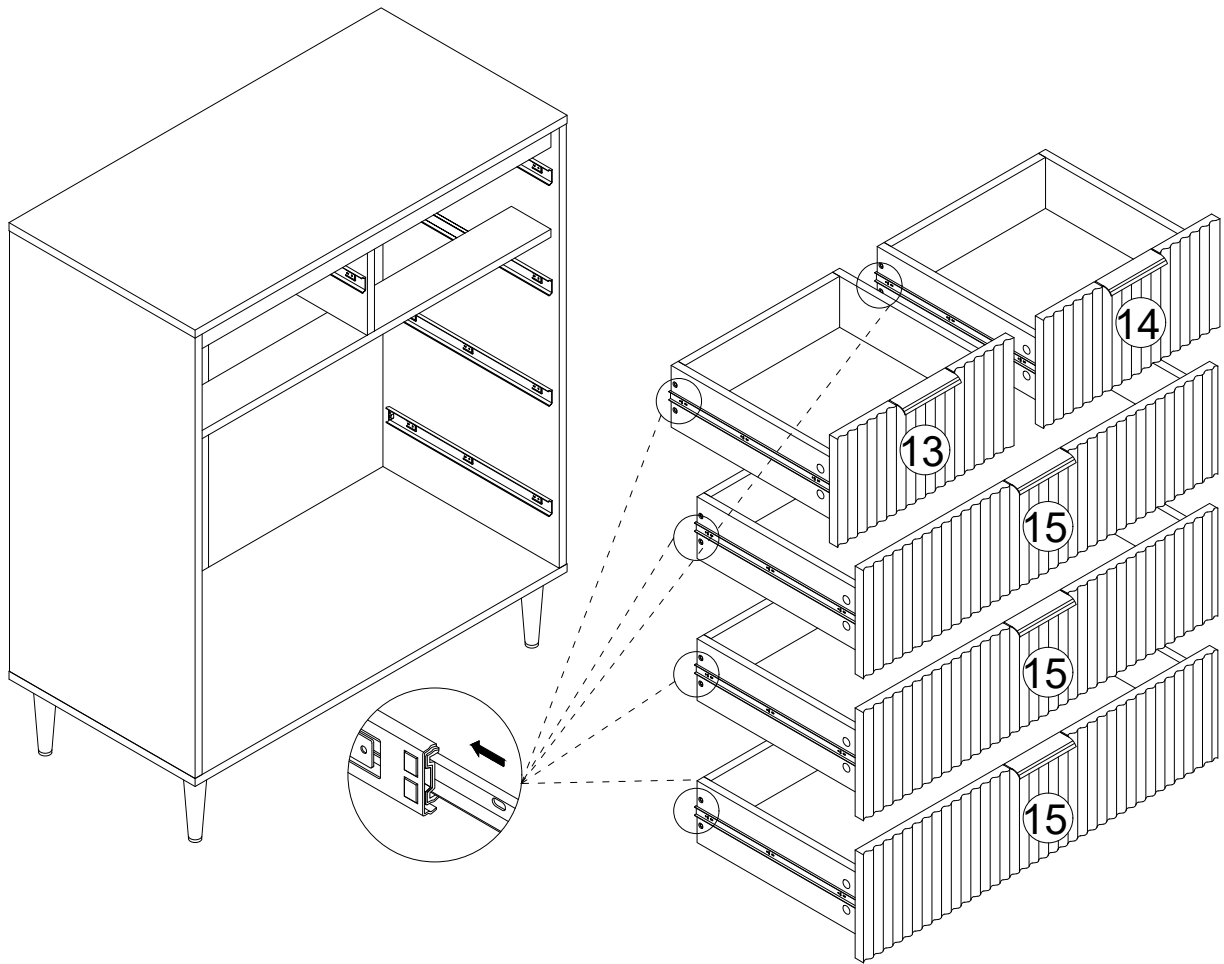
## 11. Assemble the drawers.



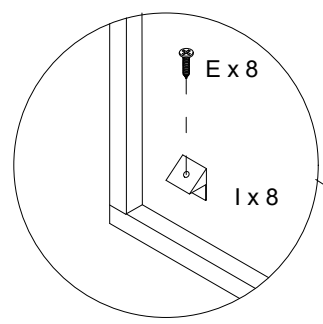
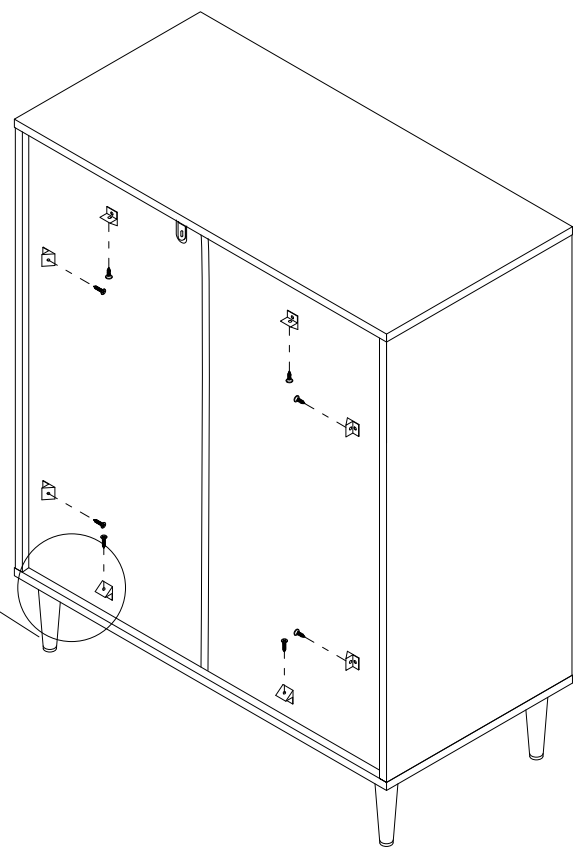
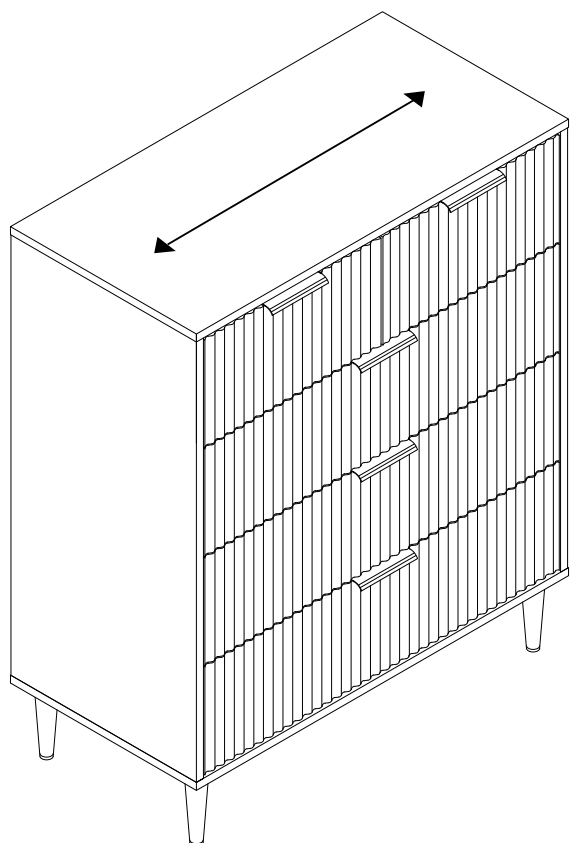
## 12. Assemble the drawers.





### 13. Assemble the drawers in the Chest.



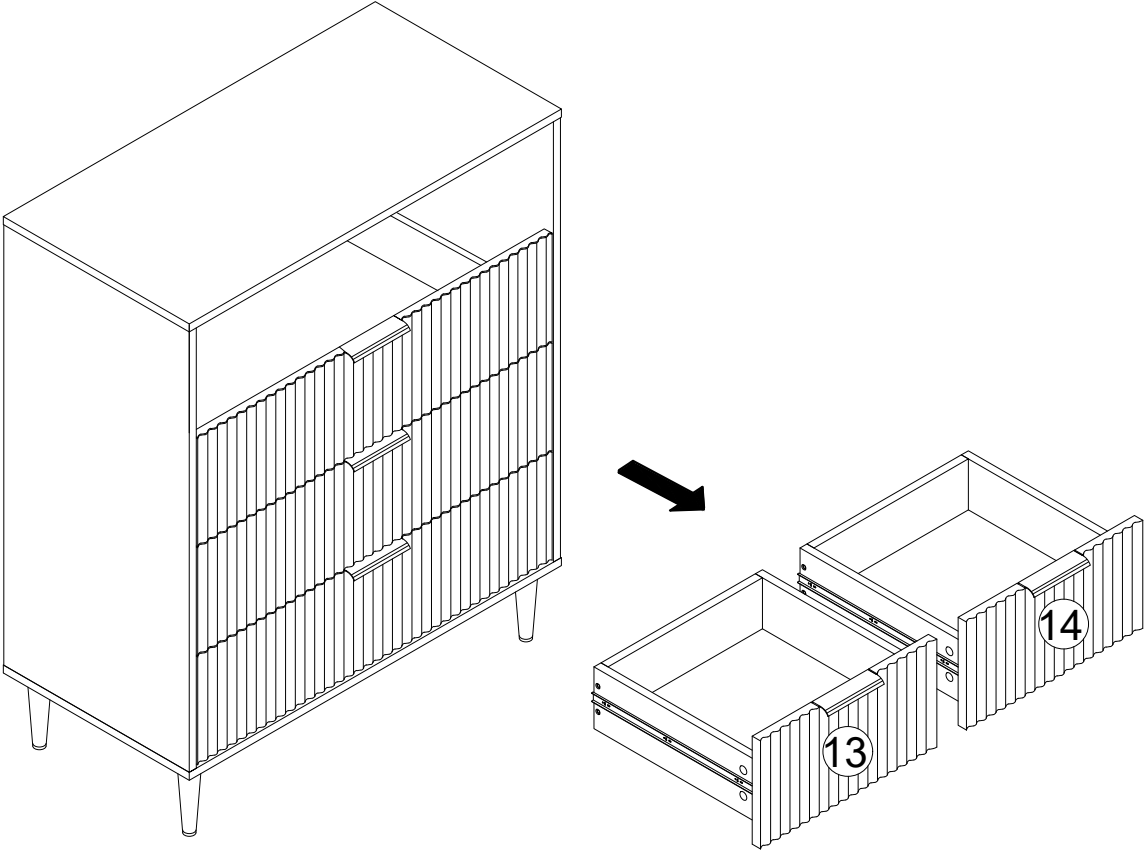
14. Manually adjust the frame slightly to ensure the drawers are in the correct position, even and parallel before attaching the plastic buckles.



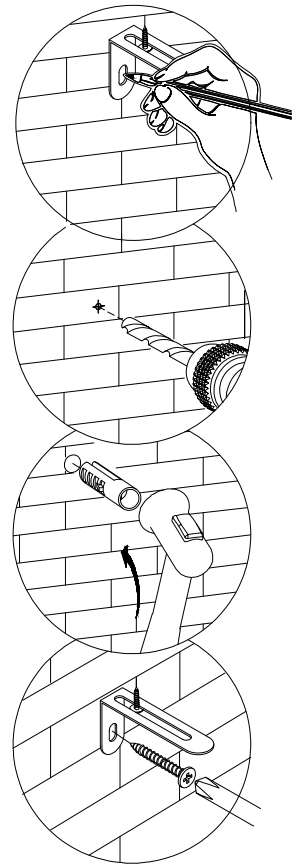
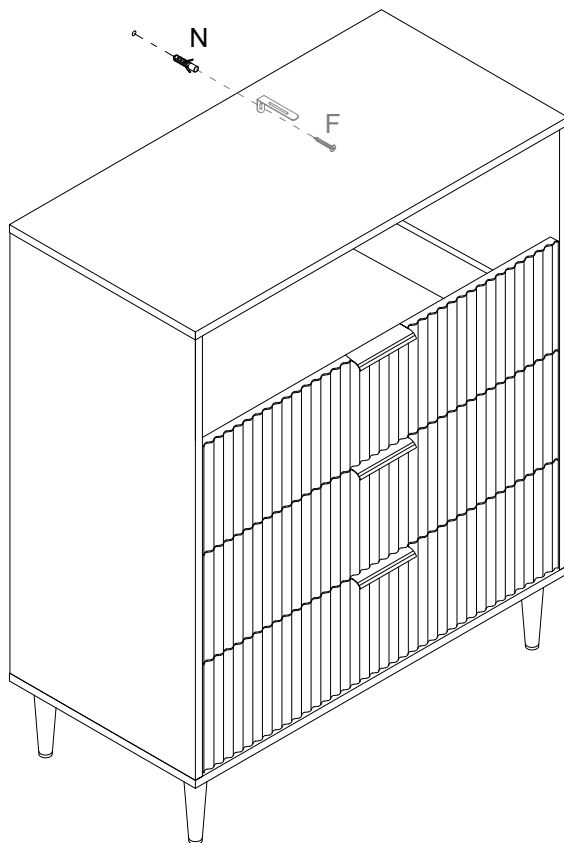
<b>E</b>	
M3*14mm Screw 8pcs	


<b>I</b>	
15x9mm Plastic Buckle 8pcs	


15. Take out the drawer.



# 16. Fix the L-shaped Bracket to the wall.



<b>F</b>	
M4*35mm Screw	
1pc	

<b>N</b>	
Ø6x30mm Wall Plug	
1pc	



# 17. Assemble the drawers in the Chest.

