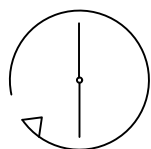
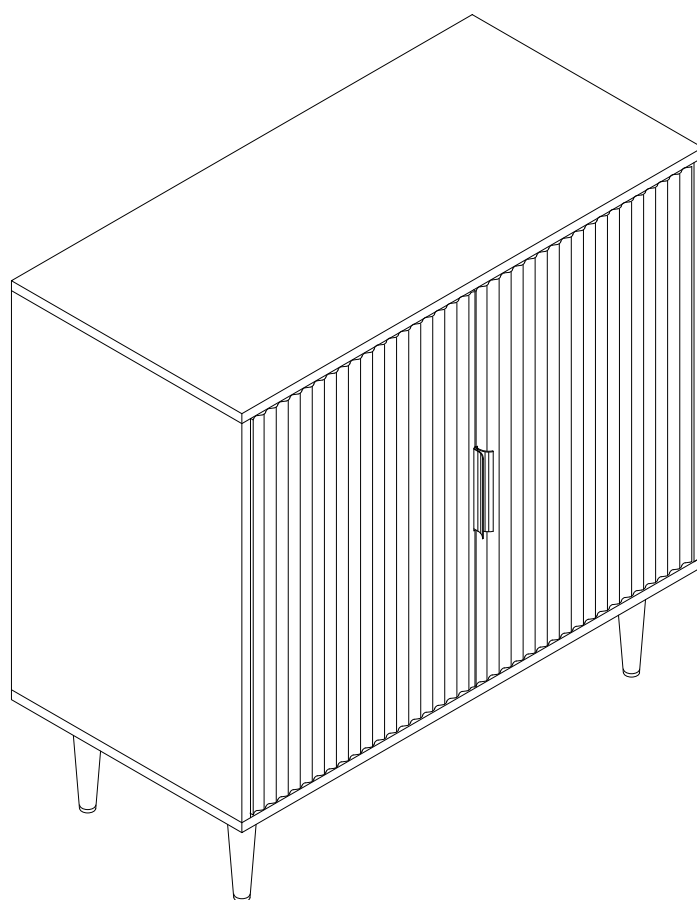


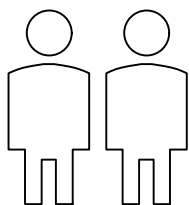
DUSK.COM
LIVING | BEDROOM | DINING

Range Name : EVIE
Box 1 Dimensions : W94xD48.5xH16.5cm
Product Dimension : W80xD40xH78cm

Evie Sideboard



Up to 30 minutes
assembly time



Two person
assembly



Electric screwdriver
prohibited

This product is intended for domestic use only, not for commercial purposes.

P-1-12
V-2.0

IMPORTANT

ASSEMBLY TIP

Before you begin, it's best to identify all of the parts and fittings to build your Evie Sideboard frame. We advise laying these out on the floor to check you have everything, and to familiarise yourself with all of the parts and fittings before building.

TOP TIP

We recommend that you assemble the Evie Sideboard in the room you'd like it to be located. This will help prevent any risk of damage to the frame whilst moving it.

SAFETY AND CARE

It's important to ensure children and animals are kept away from the assembly area, as there are small components used in this product which could present a choking hazard. All plastic and wrapping materials should also be kept away from children and animals to prevent any risk of suffocation.

HELP AND SUPPORT

Please contact our customer service team on 0113 519 0311 if you have any questions or issues with your purchase.

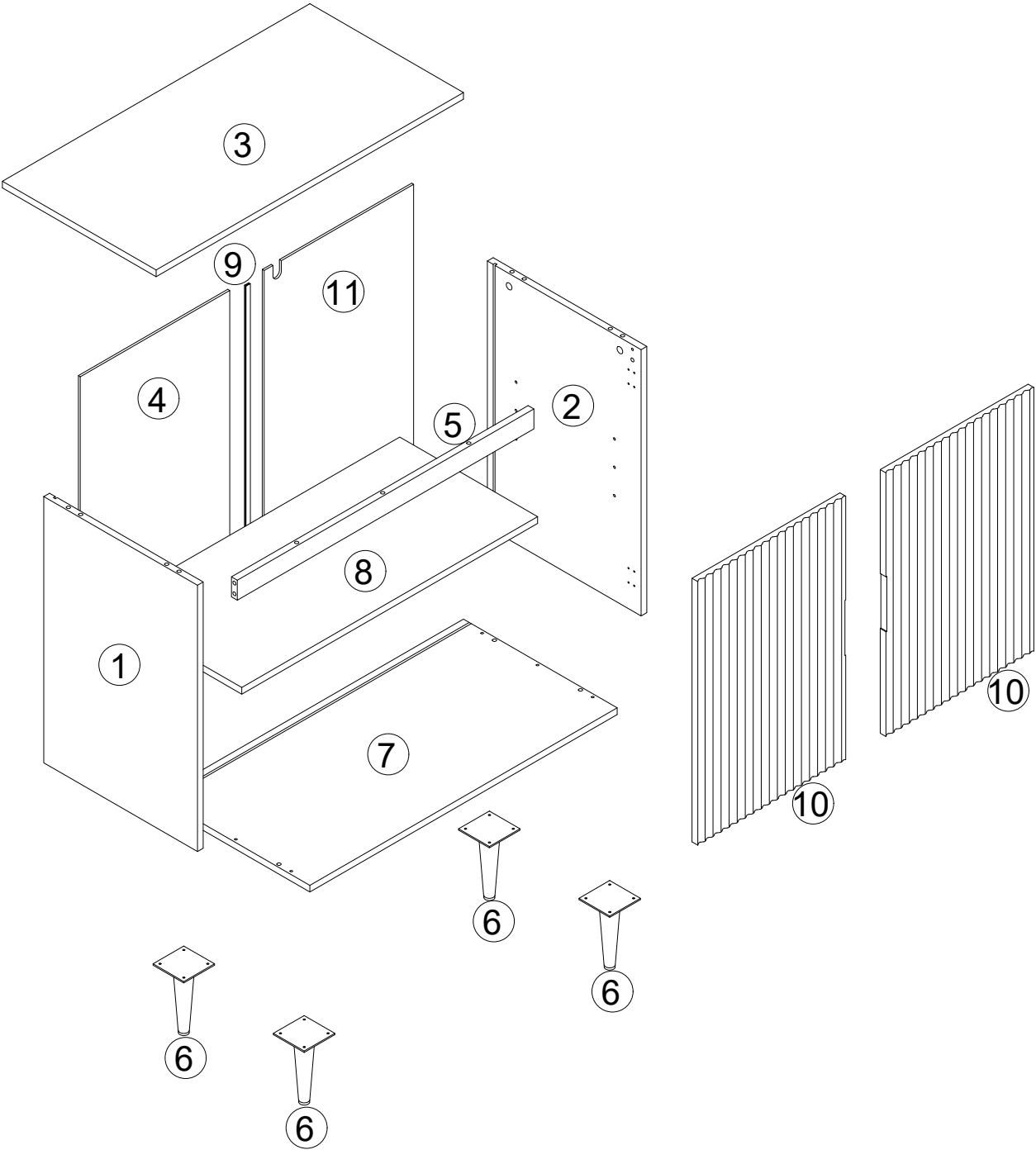
RECYCLING

Please ensure that packaging is disposed of in a safe and environmentally friendly way, and recycle where possible. Please keep your assembly instructions safe to refer back to in the future.

CARE AND MAINTENANCE:

1. Only clean using a damp cloth, do not use bleach or abrasive cleaners as they may damage the finish over time.
2. Do not use a very wet cloth or allow any liquid to contact with the veneer for a long period of time. Wipe any spillage immediately. Absorption can cause wood to warp or finishes to de-laminate.
3. Do not scrub or rub the surface when cleaning.
4. Do not drag the Evie Sideboard when moving, lift it off the floor instead.
5. Use a placemat or a coaster when putting hot items (e.g. hot drinks and dishes) on the wood surface.
6. It is not recommended to place the item next to sources of heat such as radiators, fires or directly exposed to sunlight. This may cause the wood to crack, split or fade due to the heat and humidity.
7. Wood will mellow and change colour over time, we recommend that ornaments and items placed on the surface to be moved regularly to prevent uneven mellowing.
8. Regularly check all fixings to ensure none have come loose. Re-tighten if necessary.
9. Avoid sharp items such as a screwdriver or any pointy tools.
10. Dispose of all packaging carefully and responsibly - recycle where possible.

Parts list



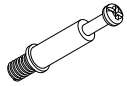
Parts list


Before you begin building your Evie sideboard, please take a moment to read through the instructions and make sure that you have all the relevant parts listed on the parts check list.


Part Number	Part Description	Quantity	Box No
①	Left Side Panel	1pc	Box 1
②	Right Side Panel	1pc	Box 1
③	Top	1pc	Box 1
④	Back Panel	1pc	Box 1
⑤	Centre Support	1pc	Box 1
⑥	Leg	4pcs	Box 1
⑦	Bottom Panel	1pc	Box 1
⑧	Shelf Panel	1pc	Box 1
⑨	Back Slat	1pc	Box 1
⑩	Door Panel	2pcs	Box 1
⑪	Back Panel	1pc	Box 1


Fittings


Please check you have all the fittings listed below with your product in box 1.


A	
M6*35mm Bolt	7pcs


B	
Ø15x9.5mm Cam Lock	7pcs


C	
Ø8x30mm Dowel	12pcs+1pc extra


D	
M3.5*12mm Screw	4pcs

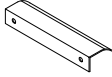
E	
M3*14mm Screw	6pcs


F	
M4*35mm Screw	1pc

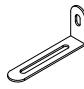
G	
M5*40mm Screw	6pcs


H	
3mm Allen Key	1pc


I	
15x9mm Plastic Buckle	6pcs

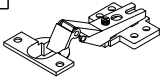
J	
Handle	2pcs


K	
M4*14mm Screw	17pcs+1pc extra


L	
Wall Bracket	1pc

M	
M4*14mm Screw	24pcs+2pcs extra

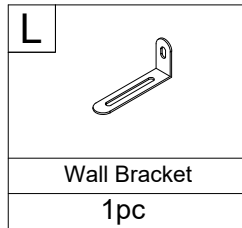
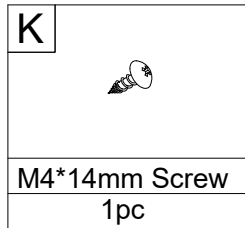
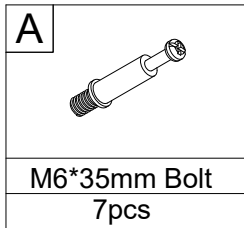
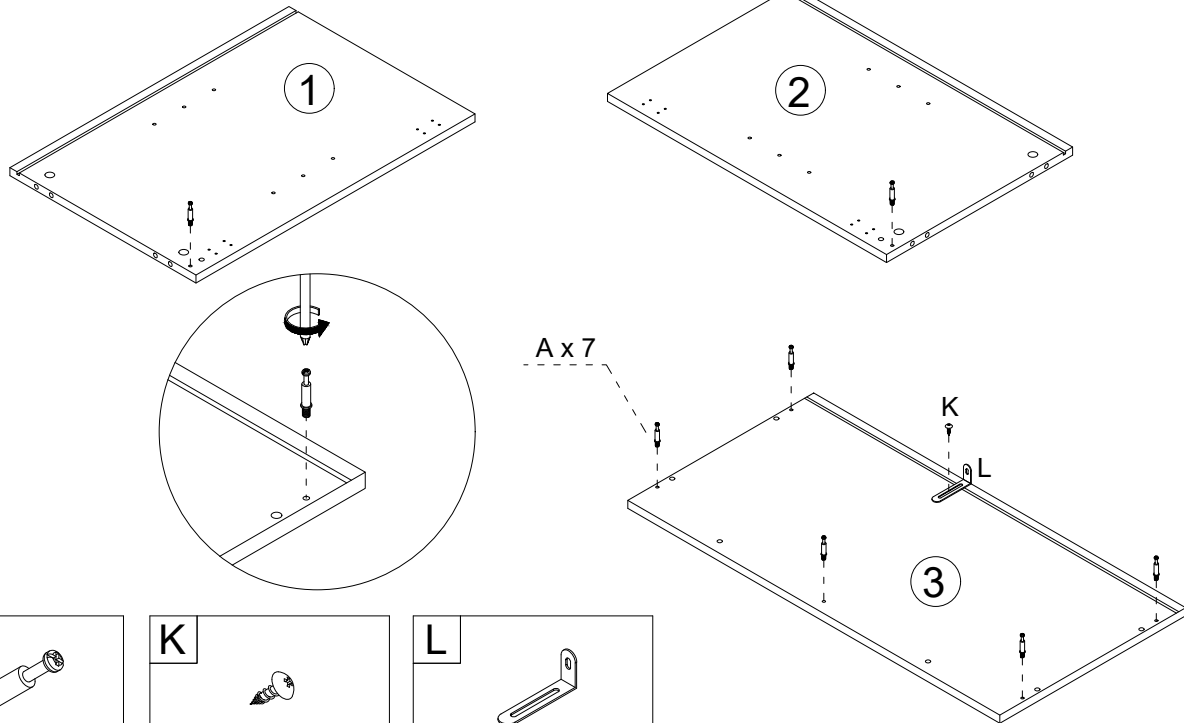
N	
Ø6x30mm Wall Plug	1pc

O	
Hinge	4pcs

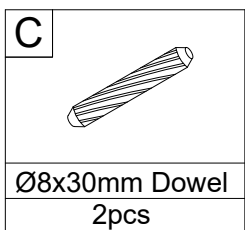
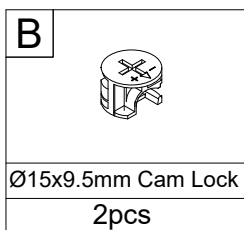
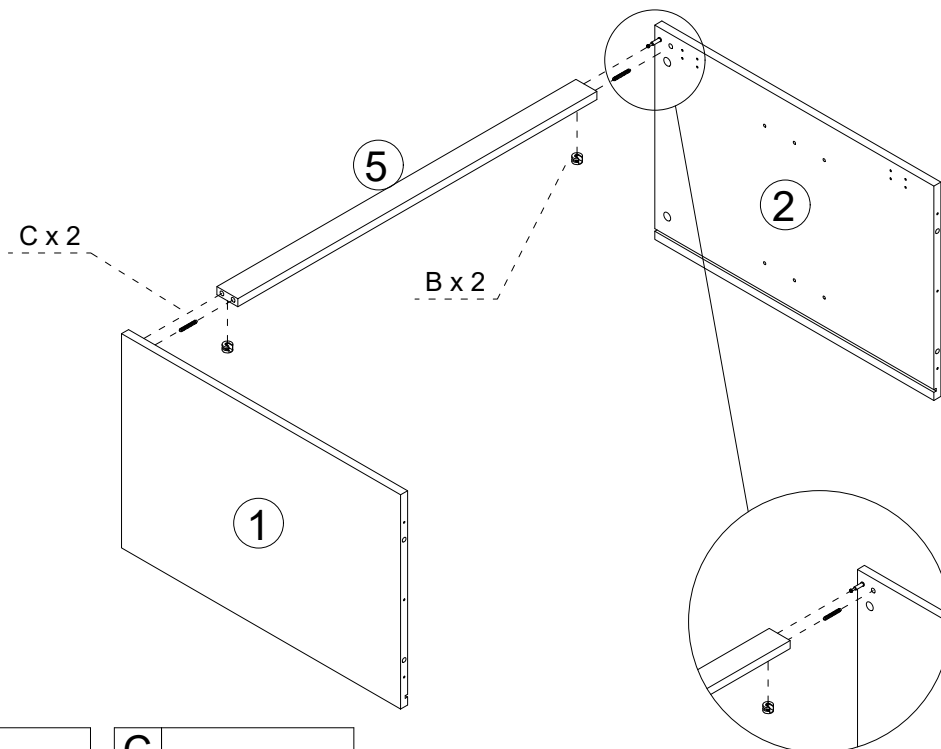
P	
Shelf Support	4pcs

Q	
Cover	2pcs

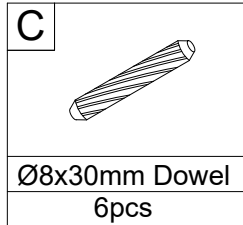
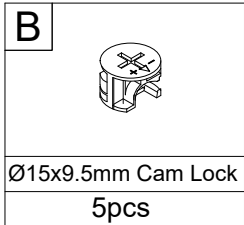
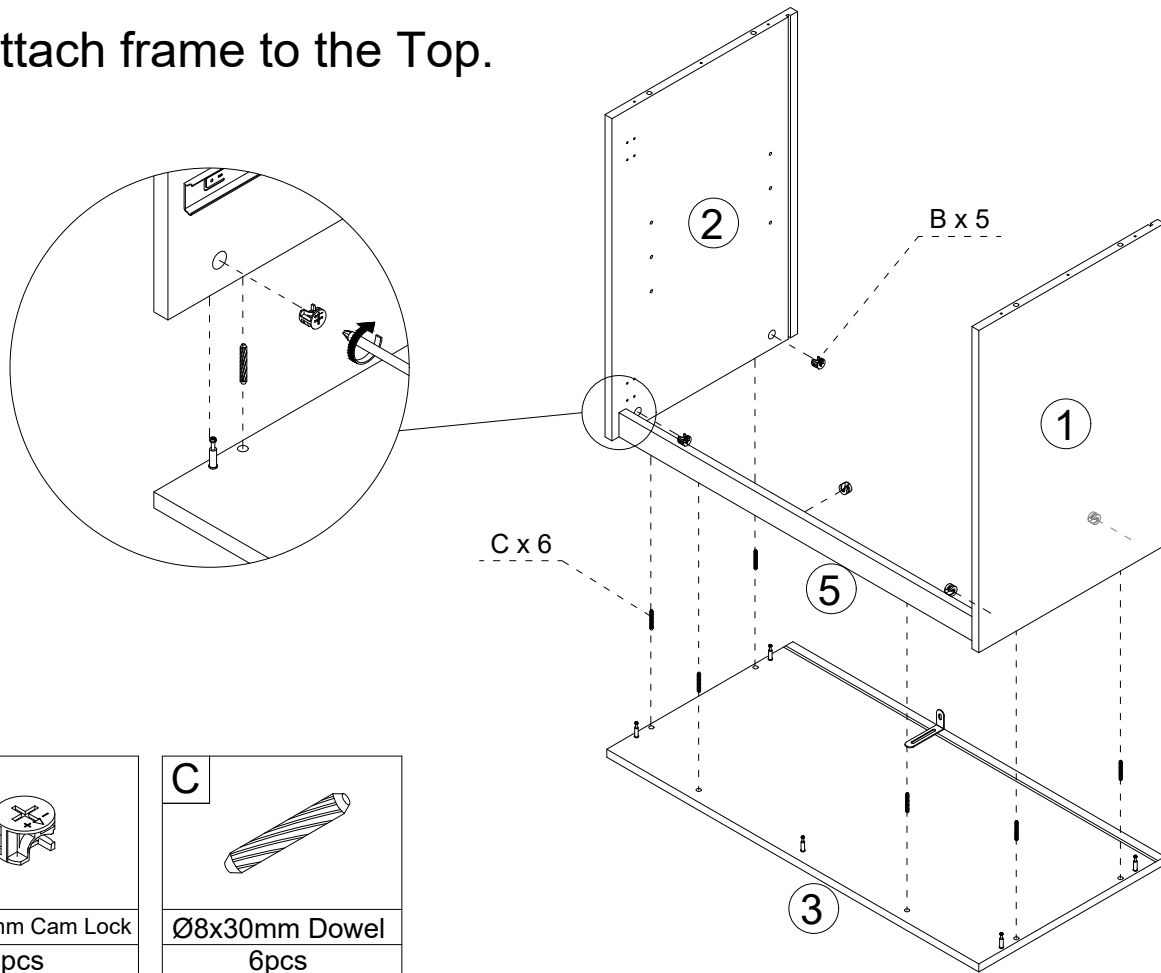
1. Attach parts to the Top.



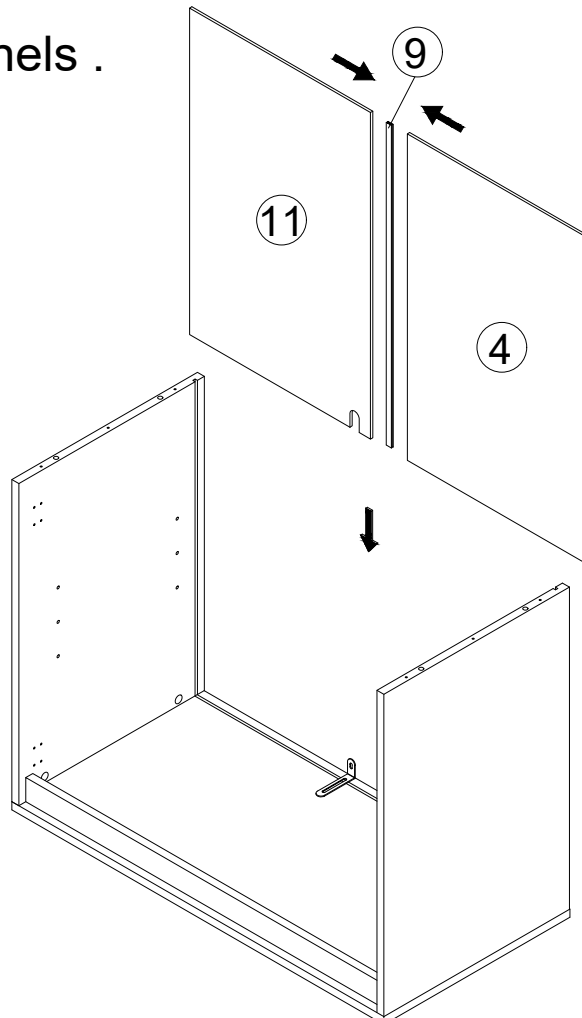
2. Attach centre support to side panels.



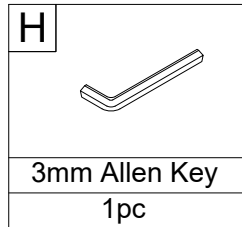
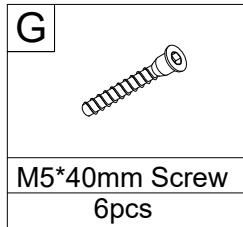
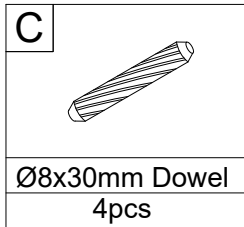
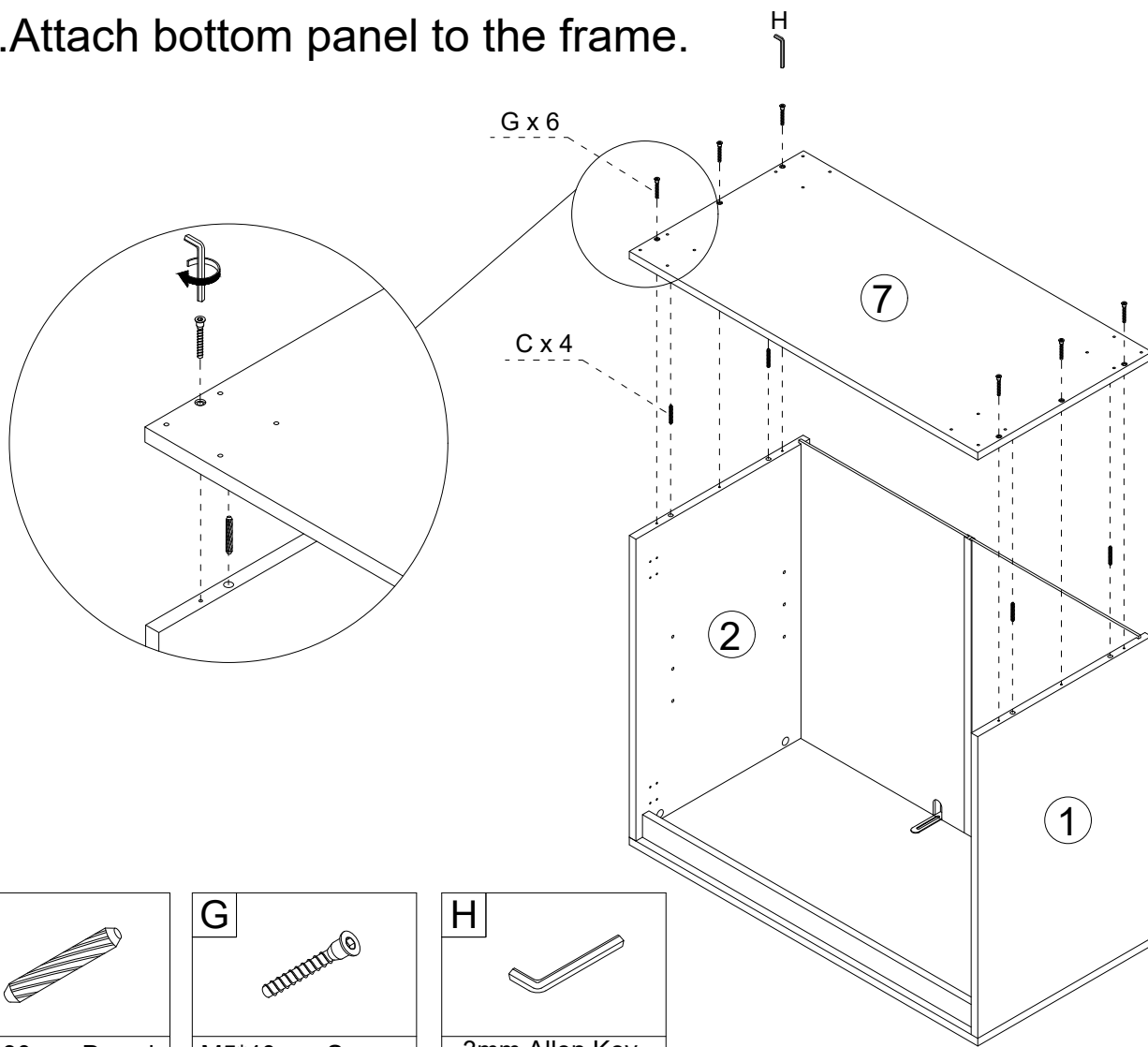
3. Attach frame to the Top.



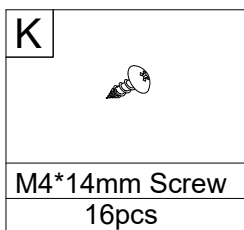
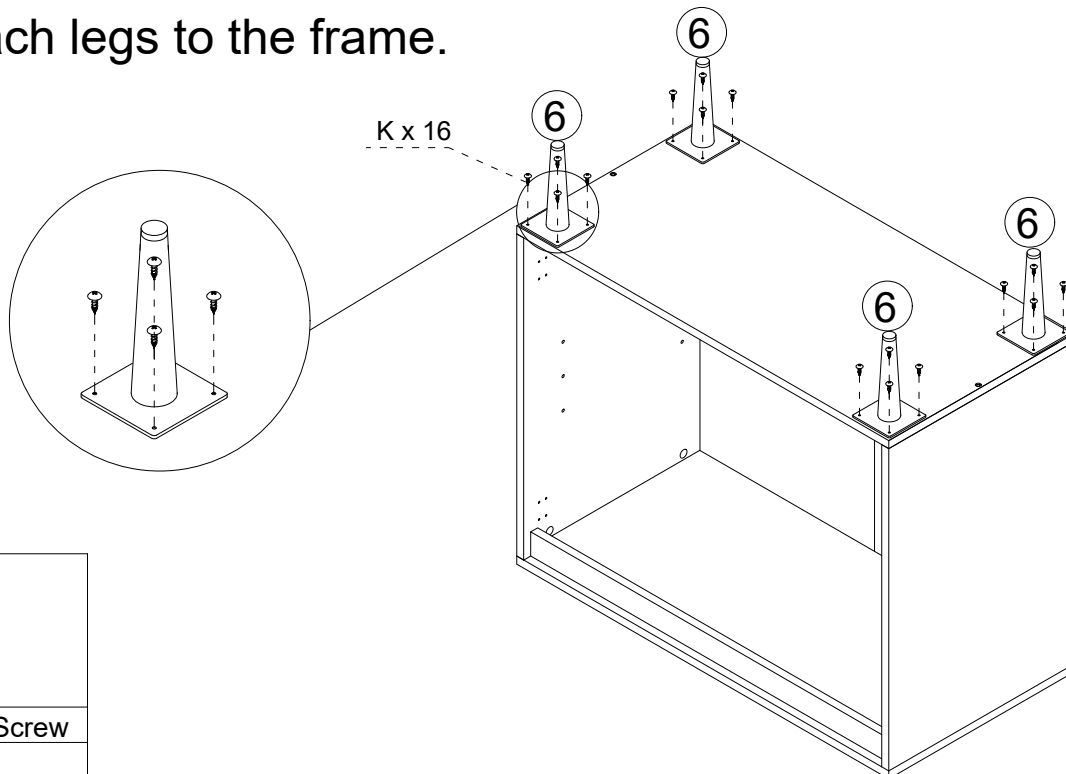
4. Assemble back panels .



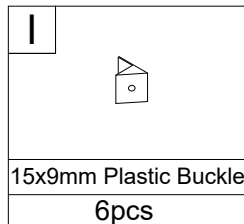
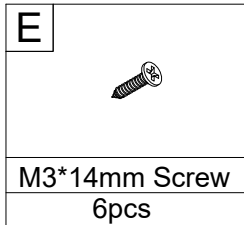
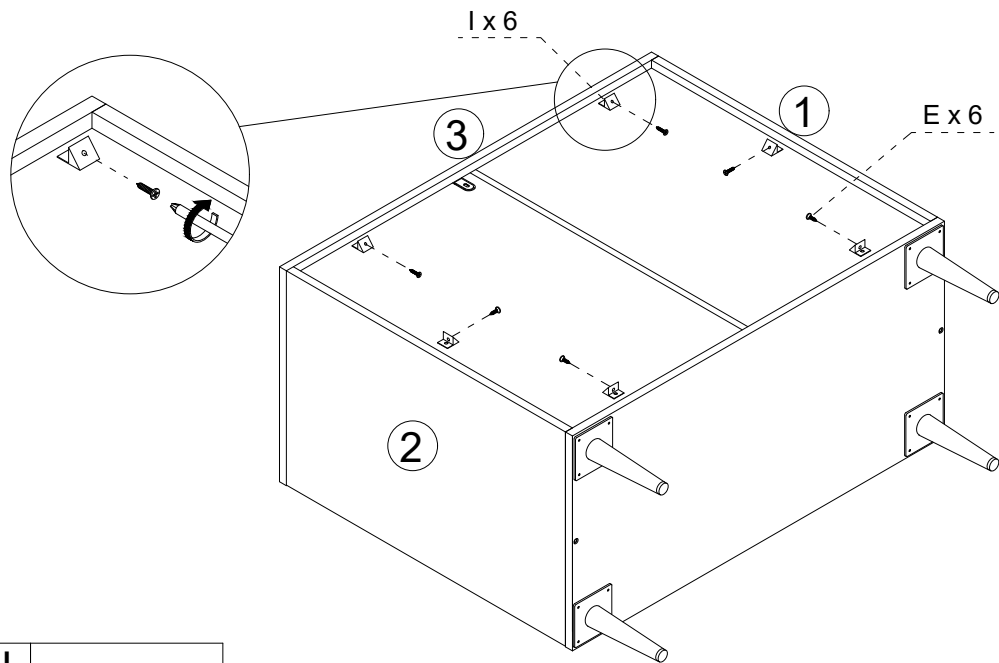
5. Attach bottom panel to the frame.



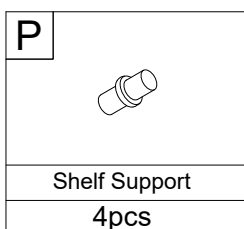
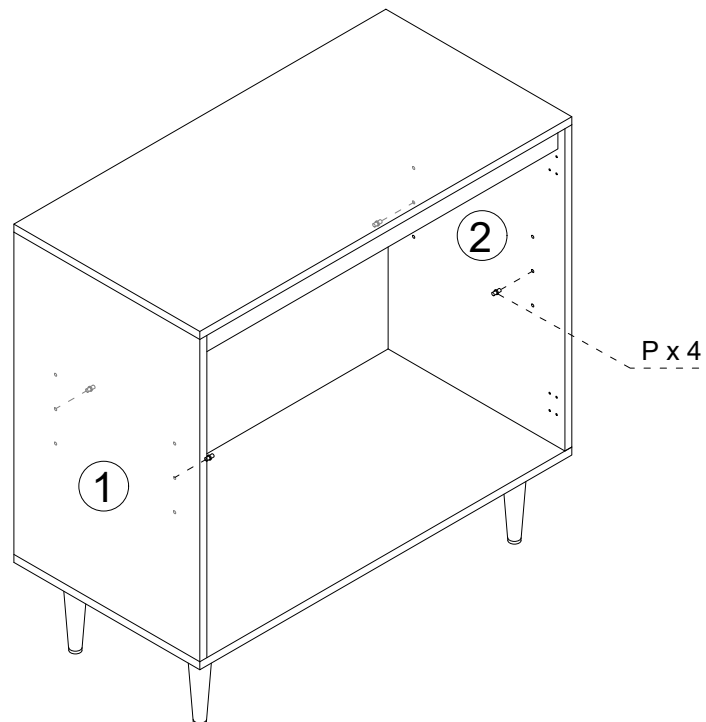
6. Attach legs to the frame.



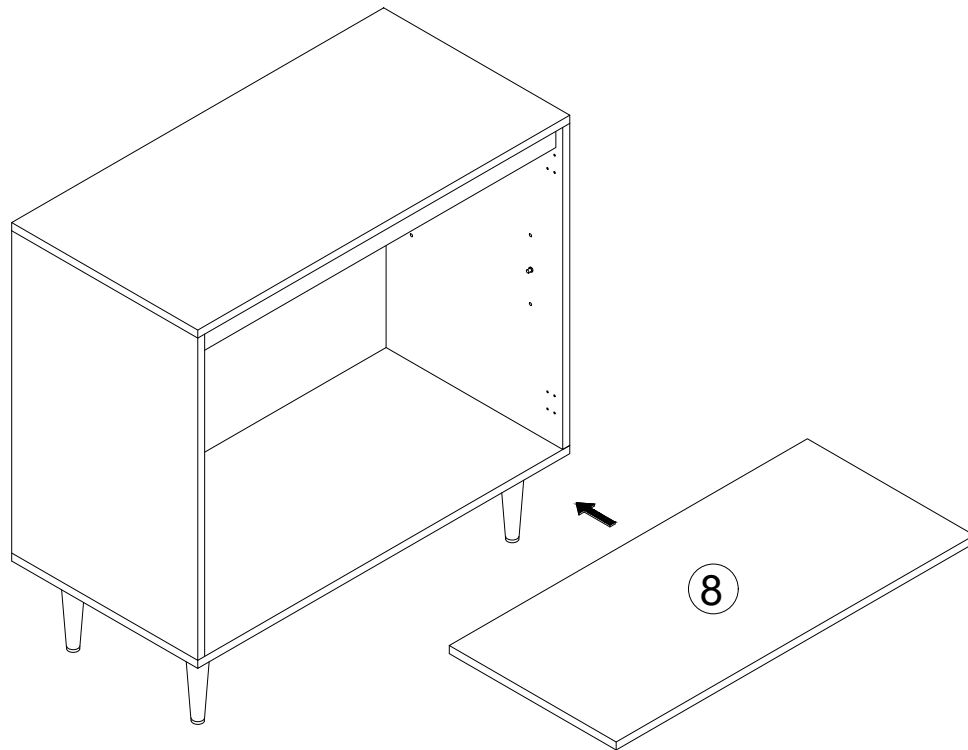
7. Attach the plastic buckles.



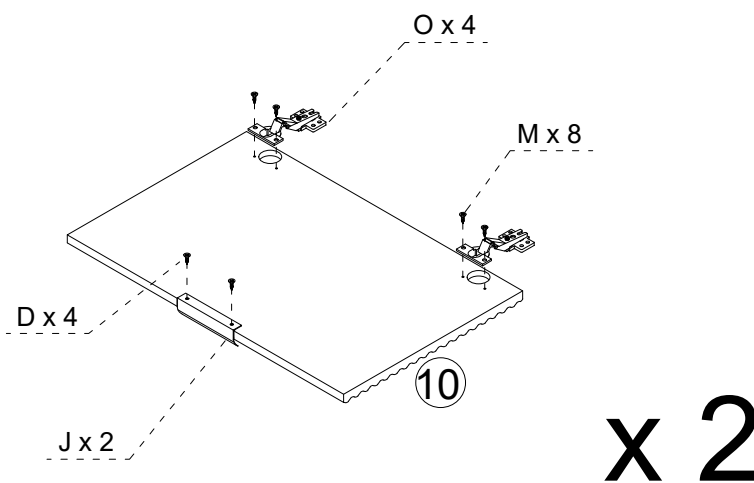
8. Attach the shelf support.




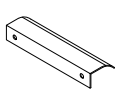
9. Assemble the shelf panel.

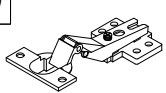



10. Attach hinges to the door.



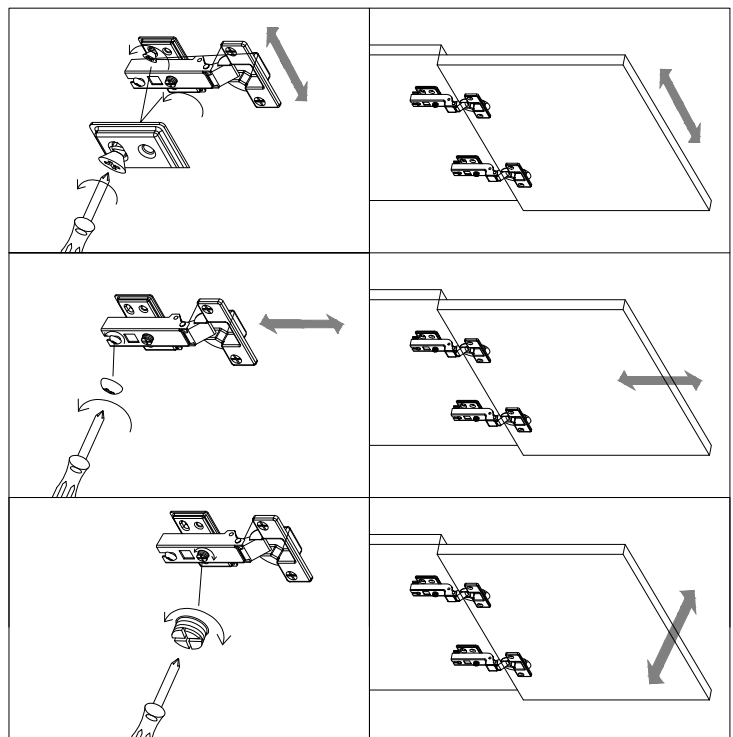
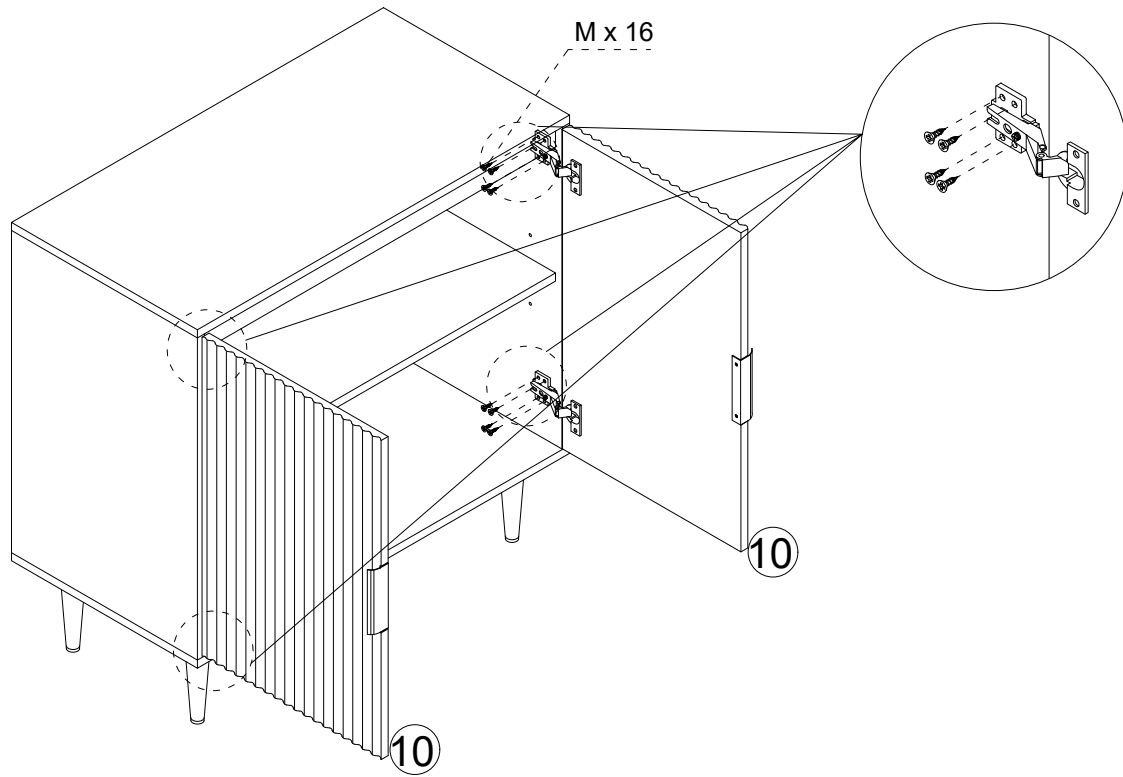
D	
M3.5*12mm Screw 4pcs	


J	
Handle 2pcs	

O	
Hinge 4pcs	

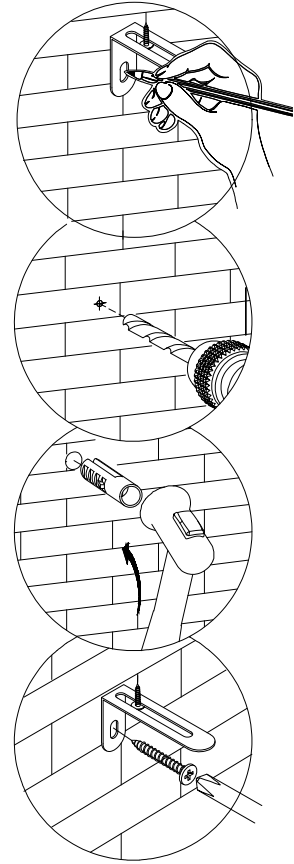
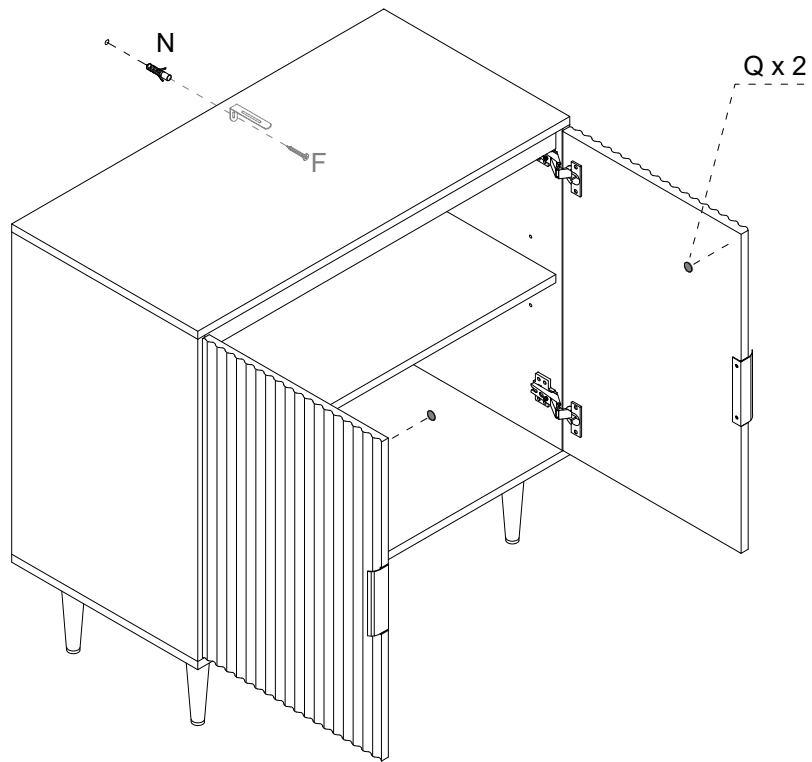
M	
M4*14mm Screw 8pcs	


11. Attach doors to the frame.





M	
M4*14mm Screw	
16pcs	

12. Fix the L-shaped Bracket to the wall.



F	
M4*35mm Screw	
1pc	

N	
Ø6x30mm Wall Plug	
1pc	

Q	
Cover	
2pcs	