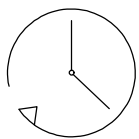
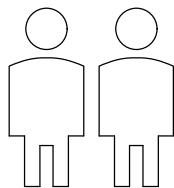


Evie Dressing Table



Up to 25 minutes
assembly time



Two person
assembly

This product is intended for domestic use only, not for commercial purposes.

IMPORTANT

ASSEMBLY TIP

Before you begin, it's best to identify all of the parts and fittings to build your dressing table frame. We advise laying these out on the clean and flat floor to check you have everything, and to familiarise yourself with all of the parts and fittings before building.

TOP TIP

We recommend that you assemble the dressing table in the room you'd like it to be located. This will help prevent any risk of damage to the frame whilst moving it.

SAFETY AND CARE

1. Do not stand on your product. Pregnant women should take additional care when using this product. Do not leave the child unattended. Children should always be under direct adult supervision whilst using this product. Always use on firm level ground, ensuring all legs remain in contact with the ground.
2. It's important to ensure children and animals are kept away from the assembly area, as there are small components used in this product which could present a choking hazard. All plastic and wrapping materials should also be kept away from children and animals to prevent any risk of suffocation.

HELP AND SUPPORT

Please contact our customer service team on 0113 519 0311 if you have any questions or issues with your purchase.

RECYCLING

Please ensure that packaging is disposed of in a safe and environmentally friendly way, and recycle where possible. Please keep your assembly instructions safe to refer back to in the future.

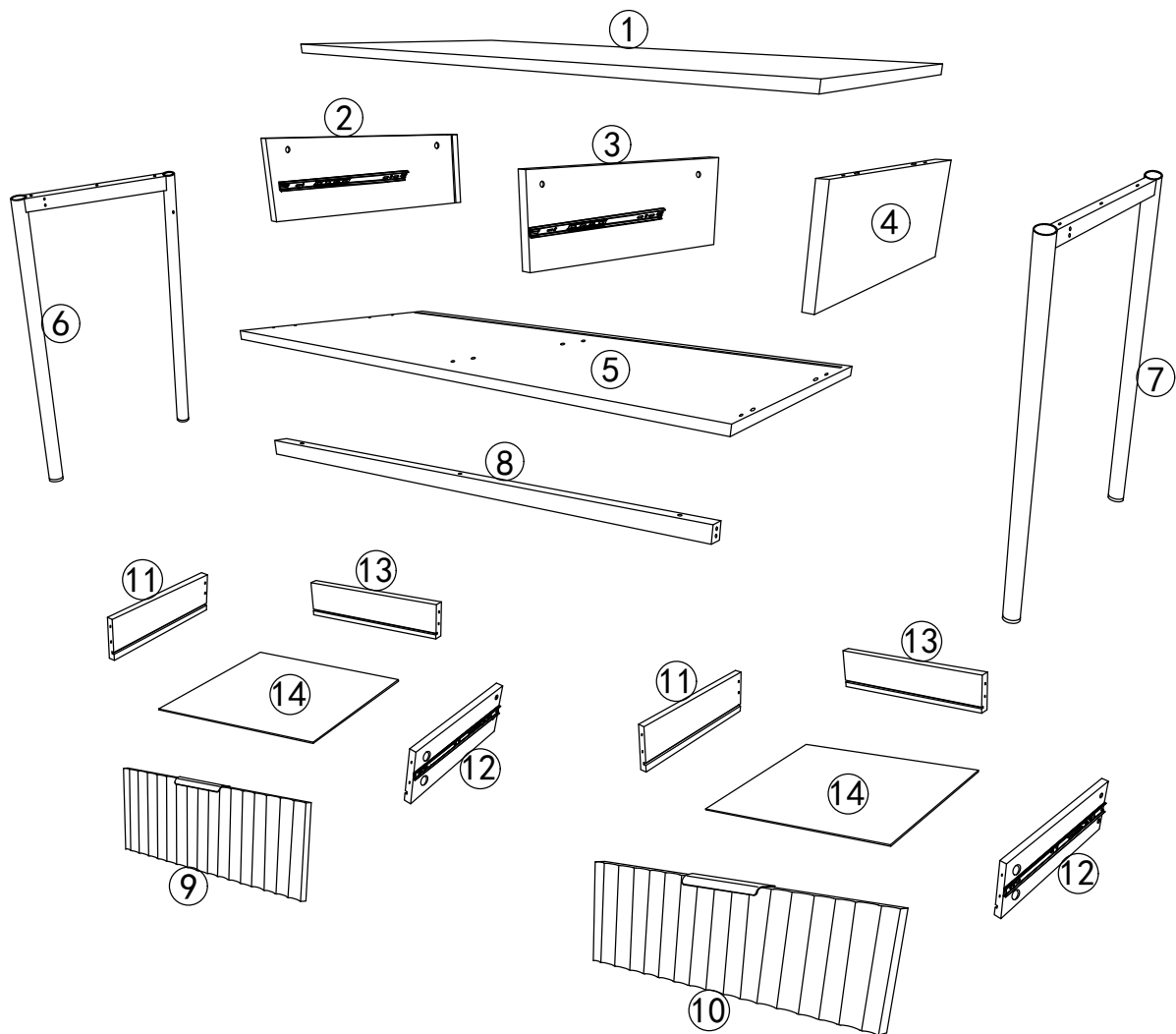
CARE AND MAINTENANCE:

1. Only use clean, colourless sponge or cloth to avoid any colour transfer or smearing, do not use bleach or abrasive cleaners as they may damage the dressing table top over time.
2. Do not use a very wet cloth or allow any liquid to contact with the dressing table top for a long period of time. Wipe any spillage immediately.
3. Do not scrub or rub the surface when cleaning.
4. Do not drag the dressing table when moving, lift it off the floor instead.
5. Use a placemat or a coaster when putting hot items (e.g. hot drinks and dishes) on the dressing table top surface.
6. It is not recommended to place the item next to sources of heat such as radiators, fires or directly exposed to sunlight.
7. Regularly check all fixings to ensure none have come loose. Re-tighten if necessary.
8. Avoid sharp items such as a screwdriver or any pointy tools.
9. Dispose of all packaging carefully and responsibly - recycle where possible.
10. Due to the delicate nature of this product, please gently place hard items onto the dressing table top to avoid damaging the surface.

Parts list







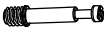


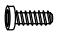



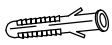



Before you begin building your Evie dressing table, please take a moment to read through the instructions and make sure that you have all the relevant parts listed on the parts check list.

Part Number	Part Description	Quantity	Part Number	Part Description	Quantity
①	Dressing Table Top	1 pc	⑧	Support Frame	1 pc
②	Left Side Panel	1 pc	⑨	Left Drawer Front	1 pc
③	Middle Panel	1 pc	⑩	Right Drawer Front	1 pc
④	Right Side Panel	1 pc	⑪	Left Drawer Side Panel	2 pcs
⑤	Bottom Panel	1 pc	⑫	Right Drawer Side Panel	2 pcs
⑥	Left Side Iron Frame	1 pc	⑬	Drawer Back Panel	2 pcs
⑦	Right Side Iron Frame	1 pc	⑭	Drawer Bottom Panel	2 pcs

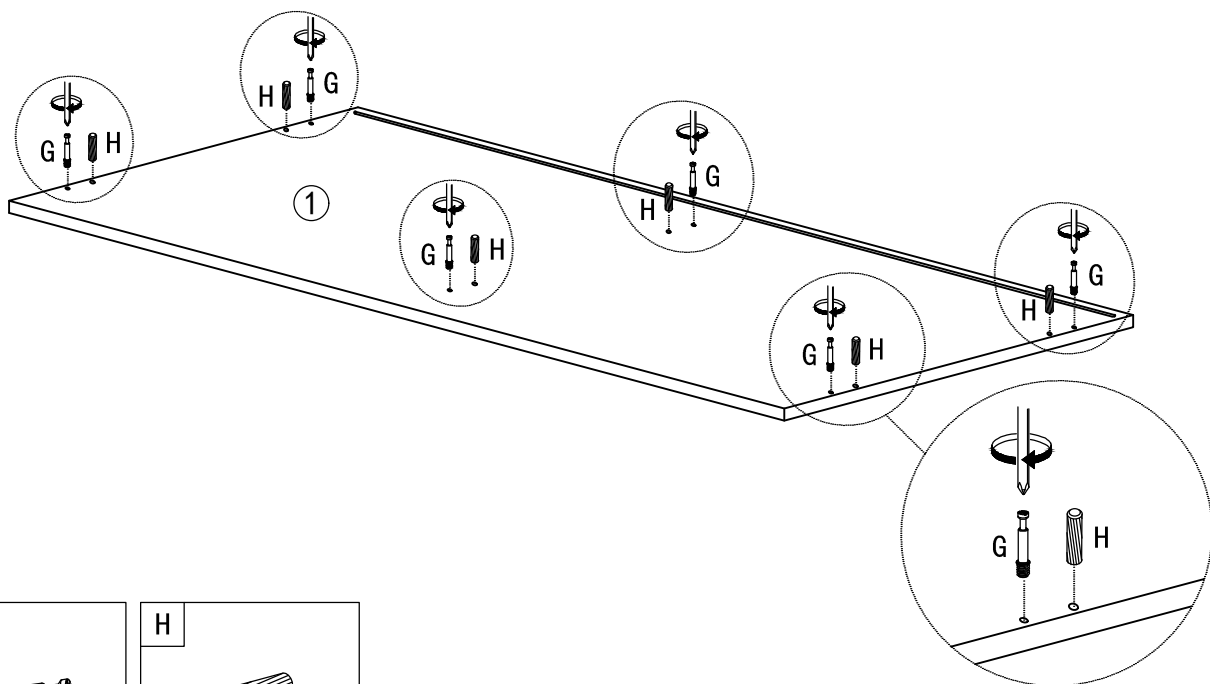




Fittings

Please check you have all the fittings listed below with your product.

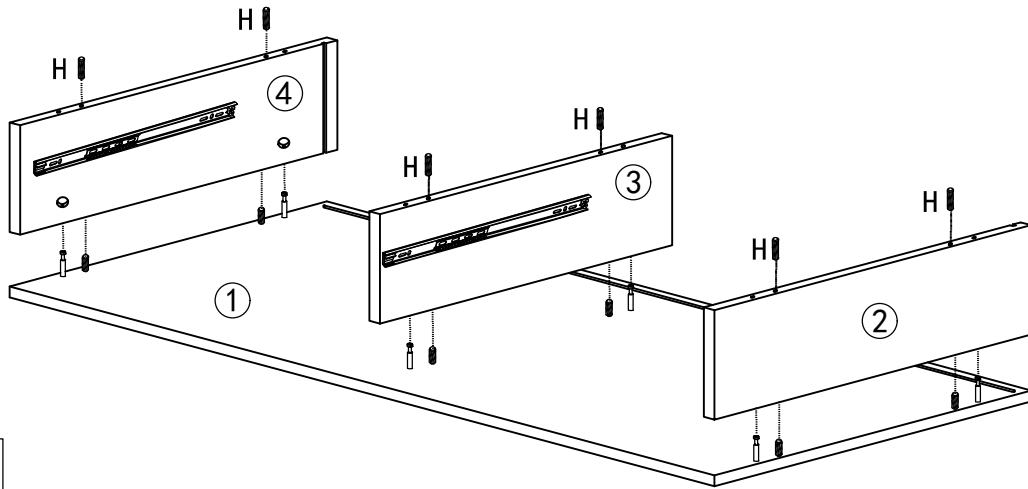
<p>A</p>  <p>Plug 2 pcs</p>	<p>B</p>  <p>Ø8*12mm Screw 4 pcs</p>	<p>C</p>  <p>205*16mm Support Iron 2 pcs</p>	<p>D</p>  <p>Ø20mmL Foot Pad 8 pcs</p>	<p>E</p>  <p>Ø8*30mm Screw 8 pcs</p>	<p>F</p>  <p>Ø15*12mm Mini Fix Cam 14 pcs</p>
<p>G</p>  <p>Ø6*35mm Mini Fix Bolt 14 pcs</p>	<p>H</p>  <p>Ø8*30mm Wood Dowel 12 pcs</p>	<p>I</p>  <p>4mm Allen Wrench 1 pc</p>	<p>J</p>  <p>M6*15mm Short Bolt 4 pcs</p>	<p>K</p>  <p>M6*35mm Middle Bolt 4 pcs</p>	<p>L</p>  <p>M6*55mm Long Bolt 9 pcs</p>
<p>M</p>  <p>M6*50mm Flat Tail Screw 6 pcs</p>	<p>N</p>  <p>30mmL Wall Anchor 1 pc</p>	<p>O</p>  <p>Wall Bracket 1 pc</p>	<p>P</p>  <p>35mmL Wood Screw 1 pc</p>	<p>Q</p>  <p>15mmL Wood Screw 1 pc</p>	


1. Attaching the Mini Fix Bolt and Wood Dowel to the Dressing table Top.



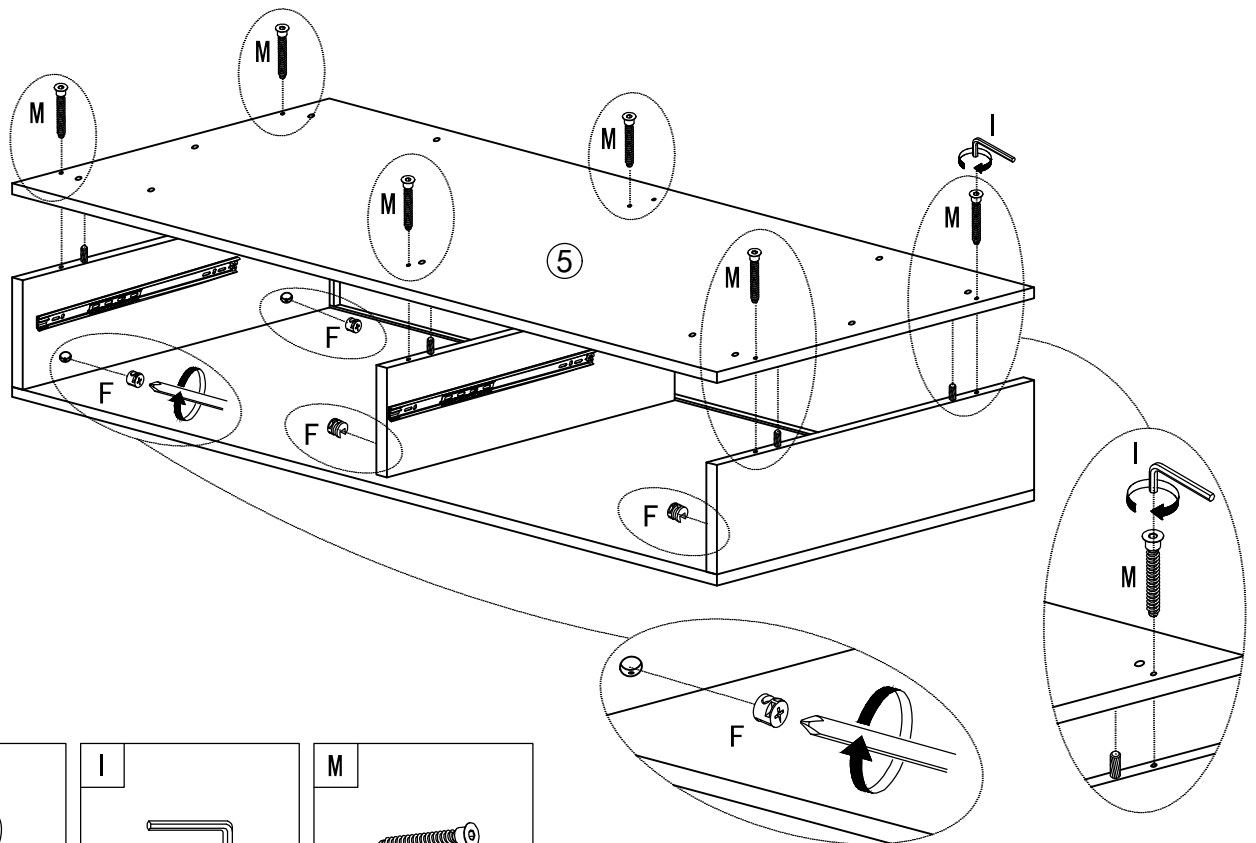
<p>G</p> 	<p>H</p> 
<p>Ø6*35mm Mini Fix Bolt 6 pcs</p>	<p>Ø8*30mm Wood Dowel 6 pcs</p>


2. Attaching the Left Side Panel, Right Side Panel and the Middle Panel to the Dressing Table Top.





H	
Ø8*30mm Wood Dowel	
6 pcs	

3. Attaching the Bottom Panel to the dressing table frame.

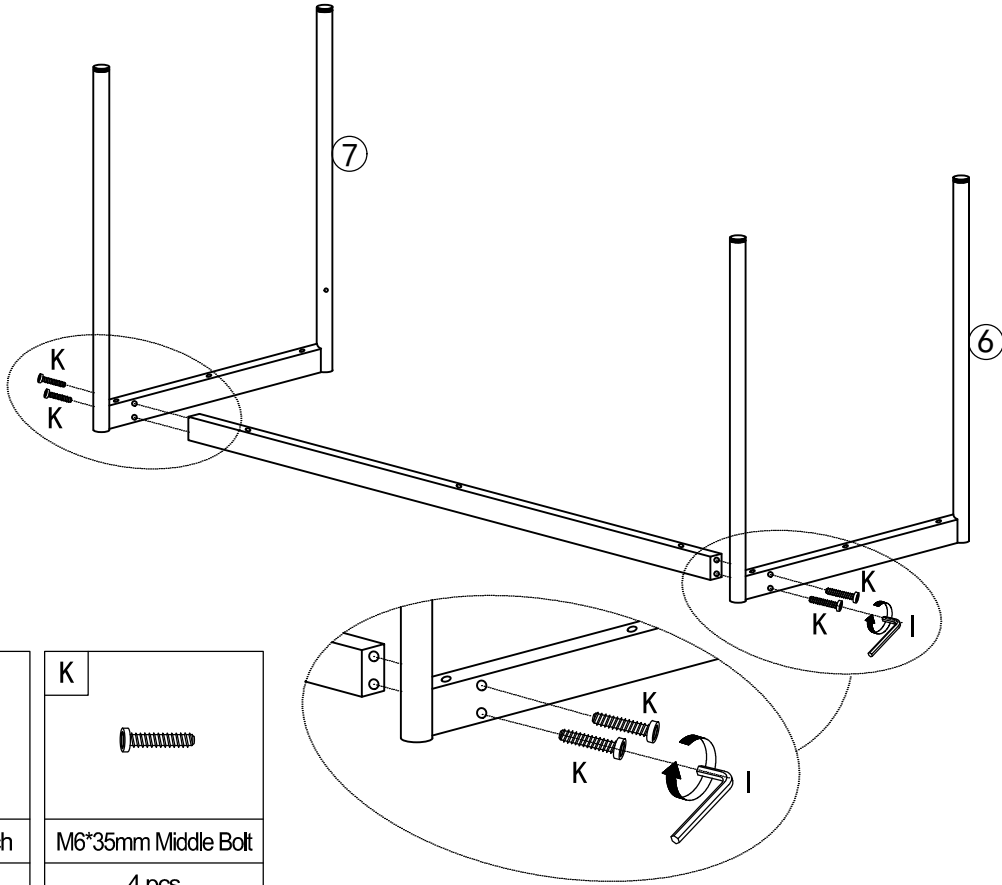




F	
Ø15*12mm Mini Fix Cam	
6 pcs	

I	
4mm Allen Wrench	
1 pc	

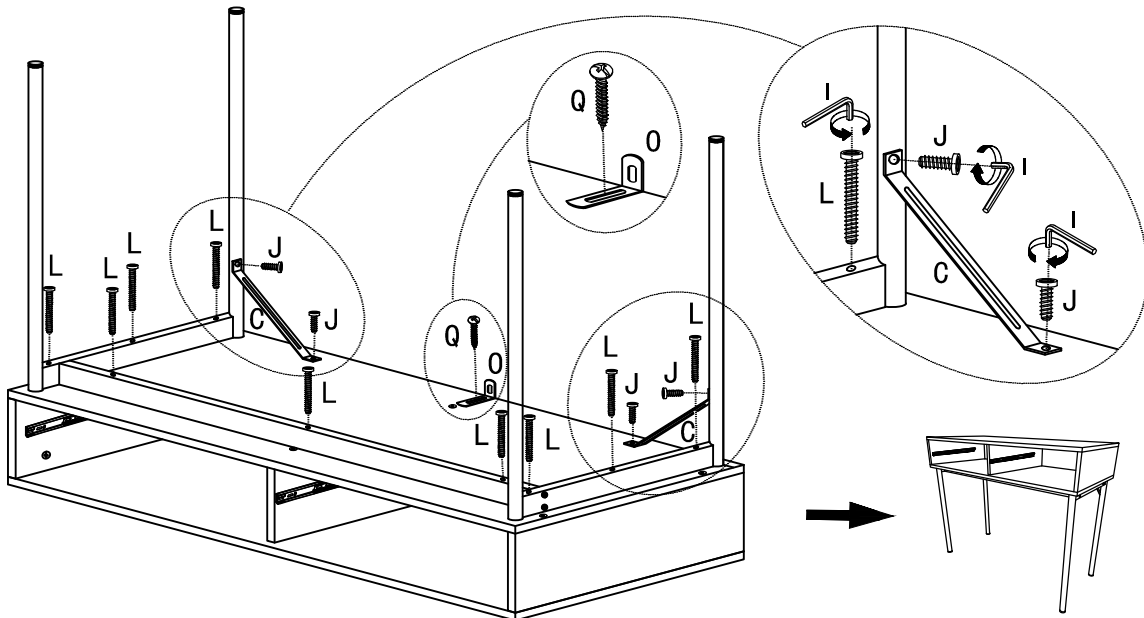
M	
M6*50mm Flat Tail Screw	
6 pcs	







4. Attaching the Support Frame to the Side Iron Frame.



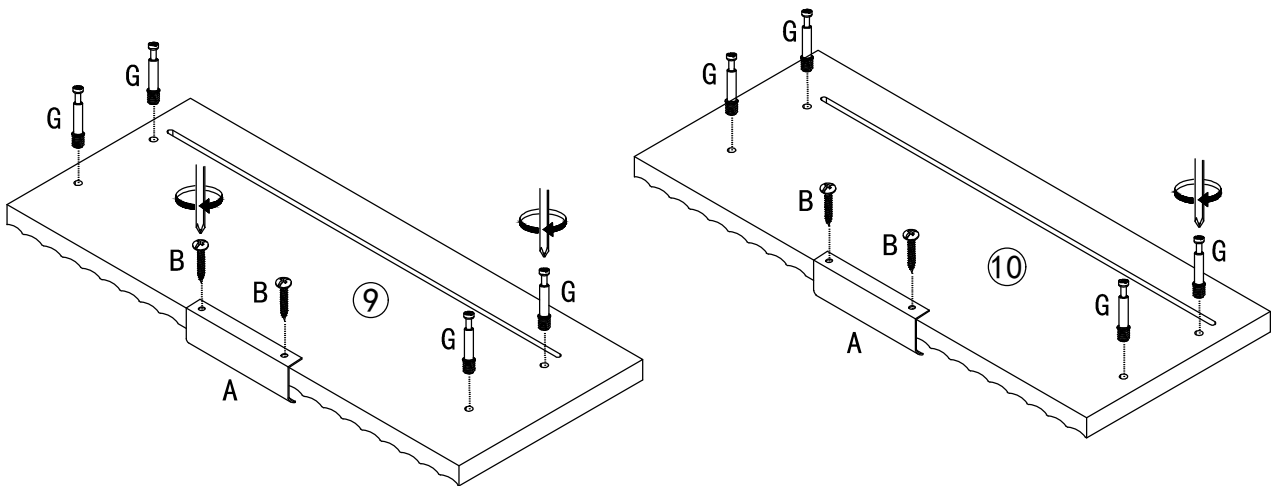
I	K
	
4mm Allen Wrench	M6*35mm Middle Bolt
1 pc	4 pcs



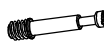
5. Attaching the iron bottom frame to the dressing table frame, and Attaching the Bracket.



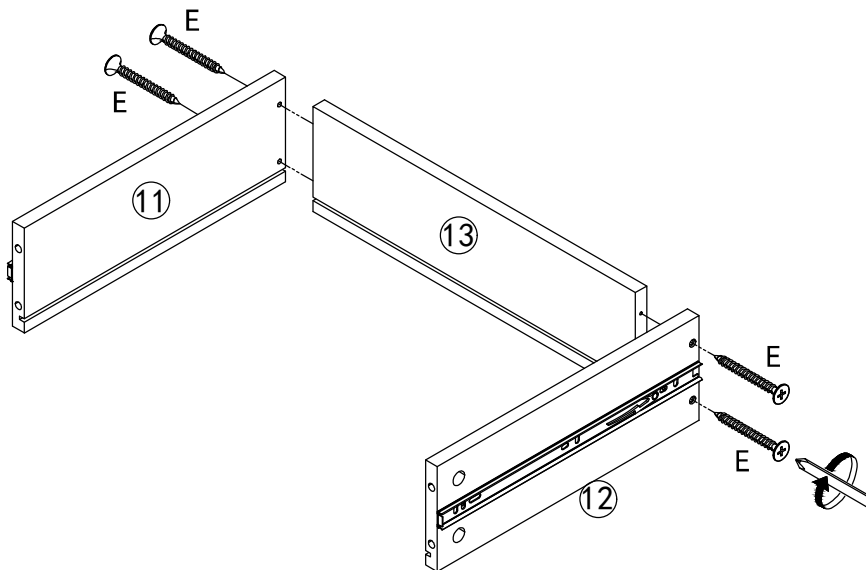
I	J	L	O	Q	C
					
4mm Allen Wrench	M6*15mm Short Bolt	M6*55mm Long Bolt	Wall Bracket	15mmL Wood Screw	205*16mm Support Iron
1 pc	4 pcs	9 pcs	1 pc	1 pc	2 pcs


6. Attaching the Drawer Plug and Mini Fix Bolt to the Drawer Front.



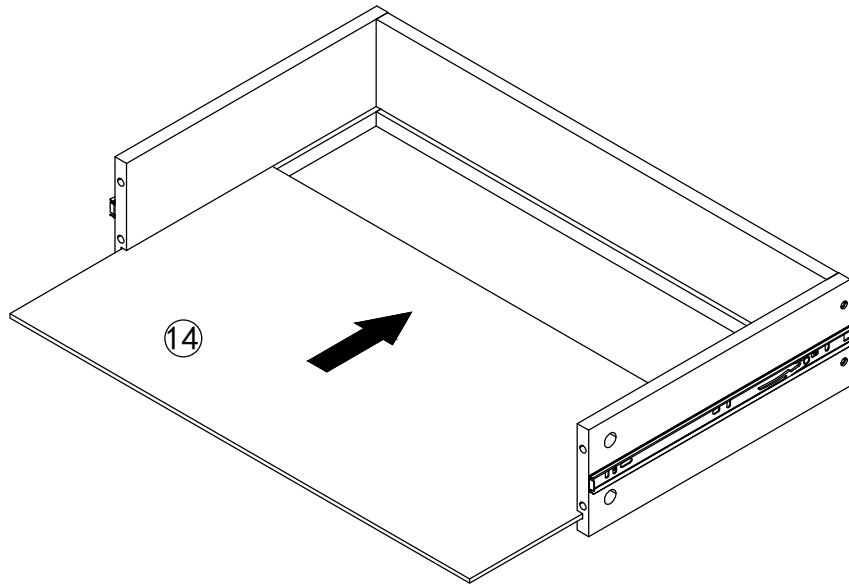
<p>A</p> 	<p>B</p> 	<p>G</p> 
<p>Plug 2 pcs</p>	<p>Ø8*12mm Screw 4 pcs</p>	<p>Ø6*35mm Mini Fix Bolt 8 pcs</p>

7. Attaching the Drawer Back Panel to the Drawer Side Panel.

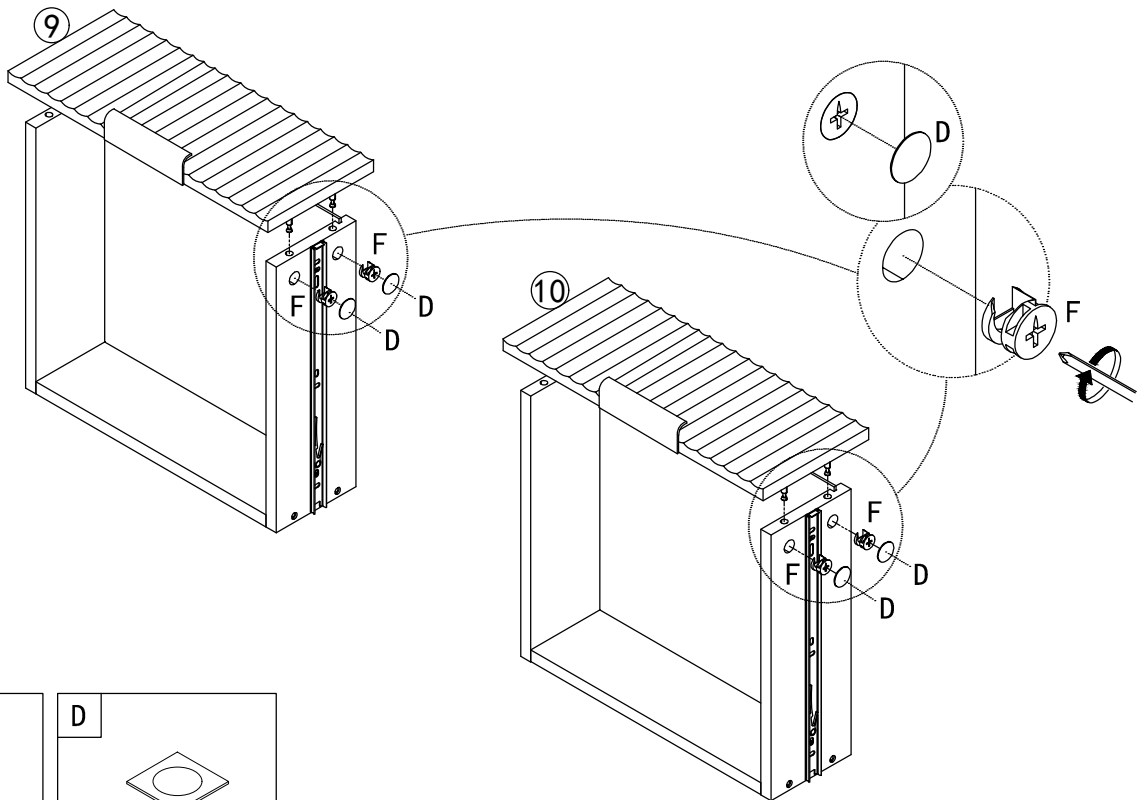



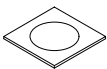
<p>E</p> 
<p>Ø8*30mm Screw 8 pcs</p>

8. Attaching the Drawer Bottom Panel to the Drawer frame.

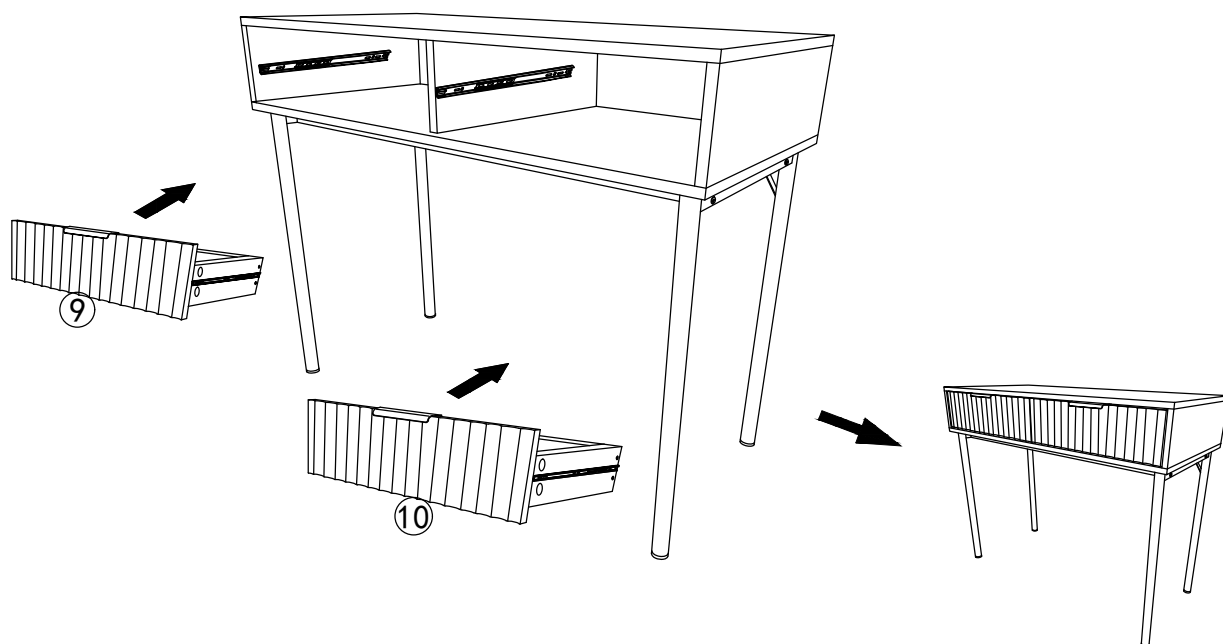


9. Attaching the Drawer Front to the Drawer frame.

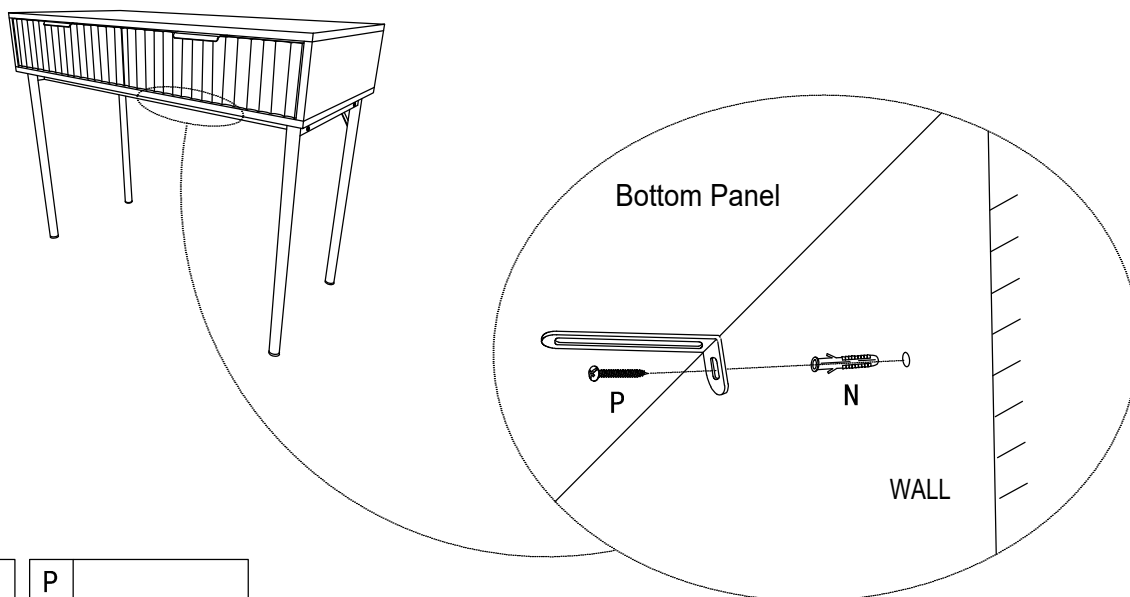




F 	D 
Ø15*12mm Mini Fix Cam	Ø20mmL Foot Pad
8 pcs	8 pcs

10. Attaching the Drawers to the dressing table frame.



11. Fix the Wall Bracket to the wall.



<p>N</p> 	<p>P</p> 
<p>30mmL Wall Anchor</p> <p>1 pc</p>	<p>35mmL Wood Screw</p> <p>1 pc</p>