

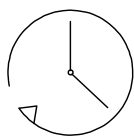
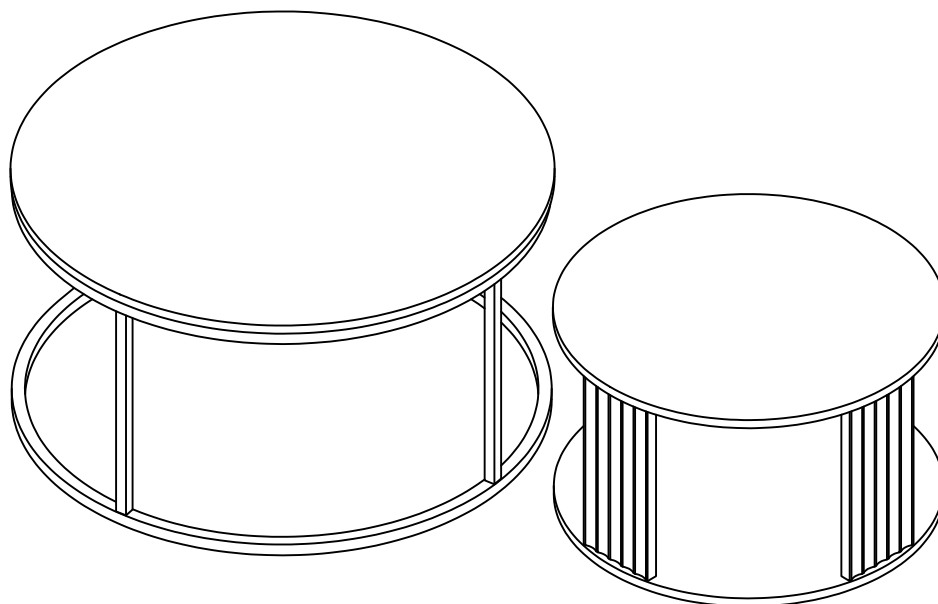
DUSK.COM

LIVING | BEDROOM | DINING

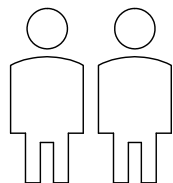
Range Name:EVIE

Box1 dimensions:L94.5xW93xH12.5(cm)

Evie Nesting Tables



**Up to 20 minutes
assembly time**



**Two person
assembly**

This product is intended for domestic use only, not commercial purposes.

IMPORTANT

ASSEMBLY TIP

Before you begin , it's best to identify all of the parts and fittings to build your nesting tables frame. We advise laying these out on the clean and flat floor to check you have everything , and to familiarise yourself with all of the parts and fittings before building.

TOP TIP

We recommend that you assemble the nesting tables in the room you'd like it to be located. This will help prevent any risk of damage to the frame whilst moving it.

SAFETY AND CARE

1. Do not stand on your product. Pregnant women should take additional care when using this product. Do not leave the child unattended. Children should always be under direct adult supervision whilst using this product. Always use on firm level ground, ensuring all legs remain in contact with the ground.
2. It's important to ensure children and animals are kept away from the assembly area, as there are small components used in this product which could present a choking hazard. All plastic and wrapping materials should also be kept away from children and animals to prevent any risk of suffocation.

HELP AND SUPPORT

Please contact our customer service team on 0113 519 0311 if you have any questions or issues with your purchase.

RECYCLING

Please ensure that packaging is disposed of in a safe and environmentally friendly way, and recycle where possible. Please keep your assembly instructions safe to refer back to in the future.

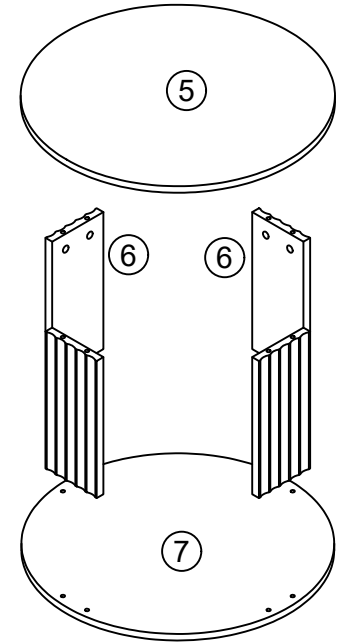
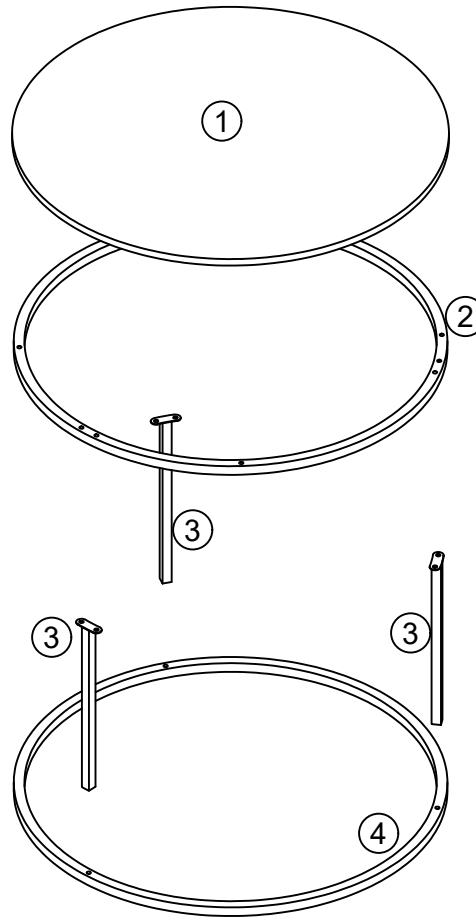
CARE AND MAINTENANCE:

1. Only use clean , colourless sponge or cloth to avoid any colour transfer or smearing , do not use bleach or abrasive cleaners as they may damage the nesting tables top over time.
2. Do not use a very wet cloth or allow any liquid to contact with the nesting tables for a long period of time . Wipe any spillage immediately.
3. Do not scrub or rub the surface when cleaning.
4. Do not drag the nesting tables when moving , lift it off the floor instead.
5. Use a placemat or a coaster when putting hot items (e . g . hot drinks and dishes) on the nesting tables surface.
6. It is not recommended to place the item next to sources of heat such as radiators , fires or directly exposed to sunlight.
7. Regularly check all fixings to ensure none have come loose . Re - tighten if necessary.
8. Avoid sharp items such as a screwdriver or any pointy tools.
9. Dispose of all packaging carefully and responsibly - recycle where possible.
10. Due to the delicate nature of this product , please gently place hard items onto the nesting tables top to avoid damaging the surface.

Parts List

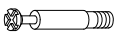
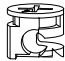


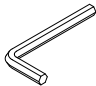
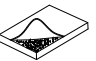



Before you begin building your Evie Nesting Tables, please take a moment to read through the instructions and make sure that you have all the relevant parts listed on the parts check list.

Part Number	Part Description	Quantity
①	Large panel	1 pc
②	Top metal ring	1 pc
③	Metal support	3 pcs
④	Bottom metal ring	1 pc
⑤	Small panel	1 pc
⑥	Side panel	4 pcs
⑦	Bottom panel	1 pc

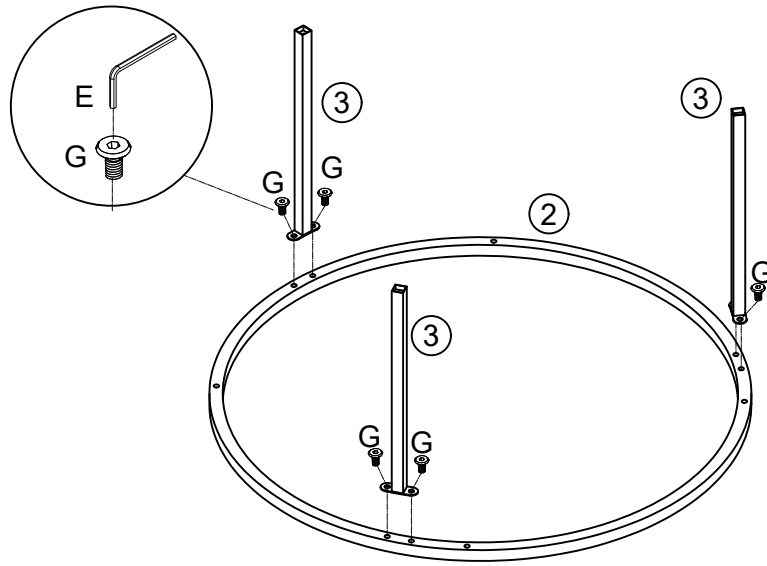



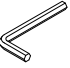
Fittings

Please check you have all the fittings listed below with your product

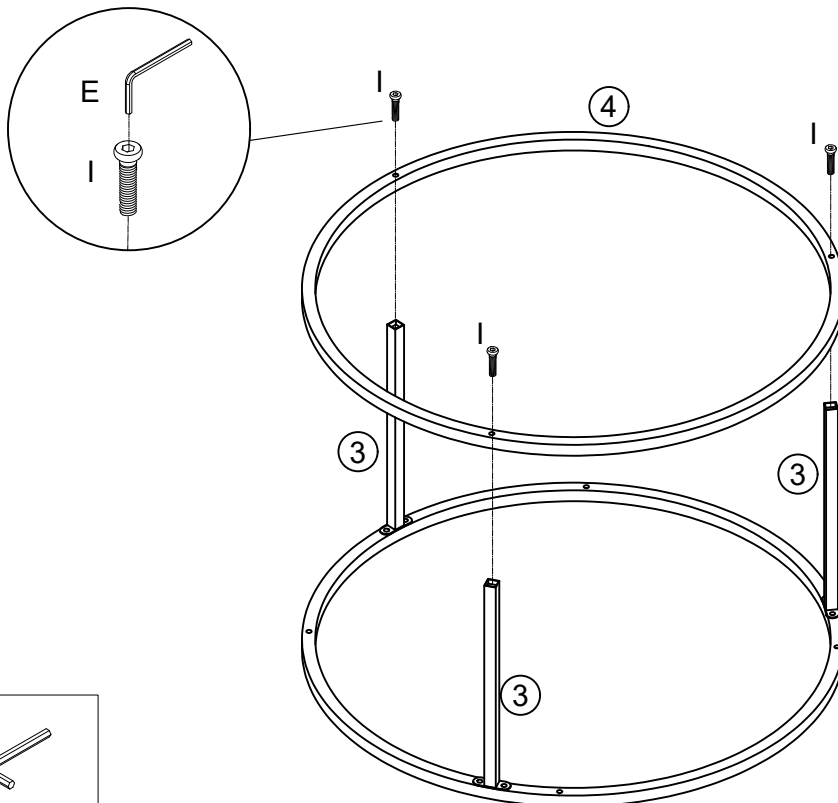
A	B	C	D	E	F
					
M6x44 CAM Lock Screw	Φ15x11mm CAM Lock	Φ20mm Cover	M7x50mm Screw	4mm Allen Key	25x15 Felt
8pcs+1pc extra	8pcs+1pc extra	8pcs+1pc extra	8pcs+1pc extra	1pc	6pcs+1pc extra
G	H	I			
					
M6x12mm Bolt	M6x30mm Bolt	M6x40mm Bolt			
6pcs+1pc extra	4pcs	3pcs			

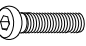
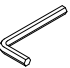
1. Attach Metal Support to the Top Metal Ring.



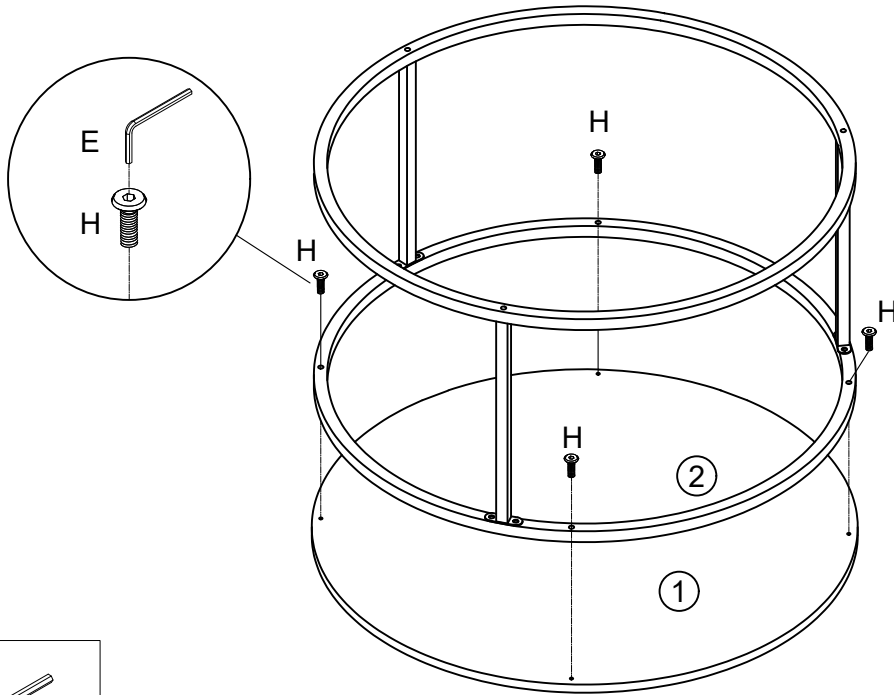
<p>G</p> 	<p>E</p> 
<p>M6x12mm Bolt</p>	<p>4mm Allen Key</p>
<p>6pcs</p>	<p>1pc</p>

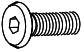
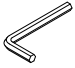
2. Attach Bottom Metal Ring to the Frame.



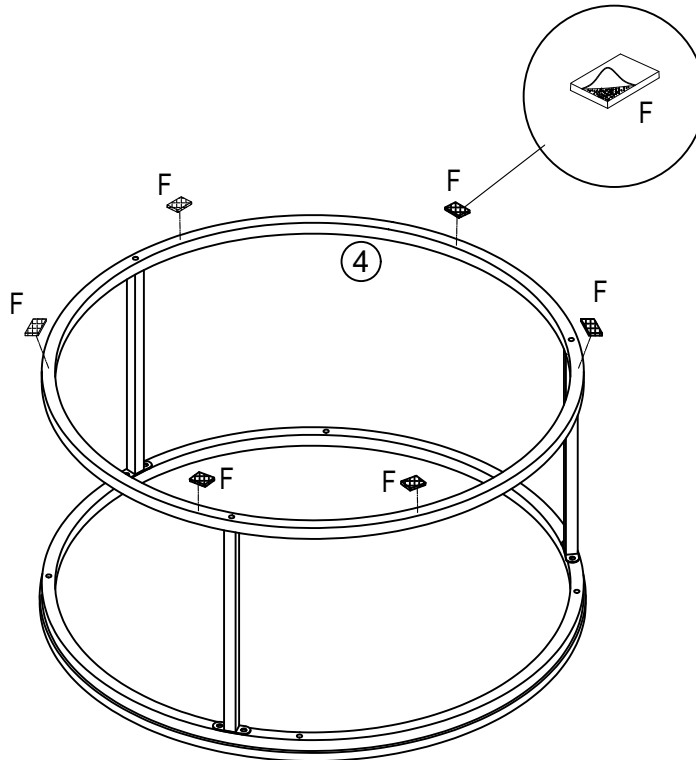
<p>I</p> 	<p>E</p> 
<p>M6x40mm Bolt</p>	<p>4mm Allen Key</p>
<p>3pcs</p>	<p>1pc</p>


3. Attach the Large Panel to the Frame.



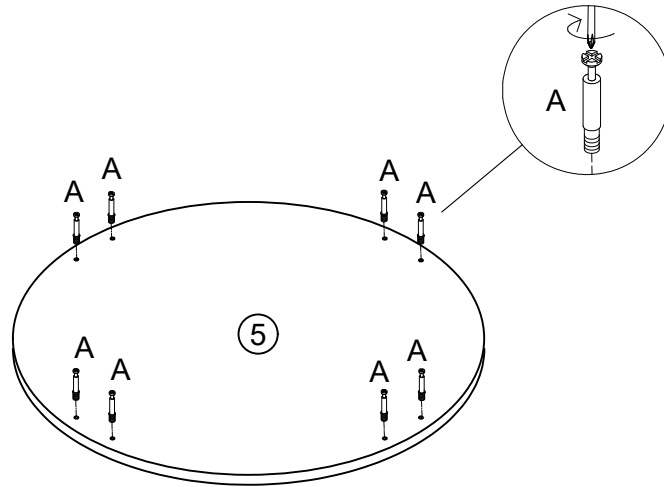
H		E	
	M6x30mm Bolt		4mm Allen Key
	4pcs		1pc


4. Attach parts to the Frame.



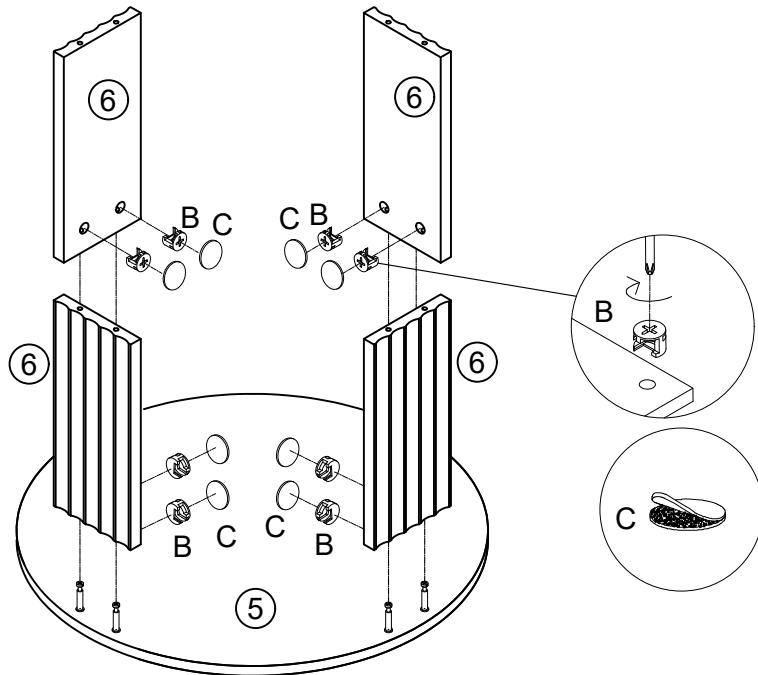
F	
	25x15 Felt
	6pcs



5. Attach parts to the Small Panel.



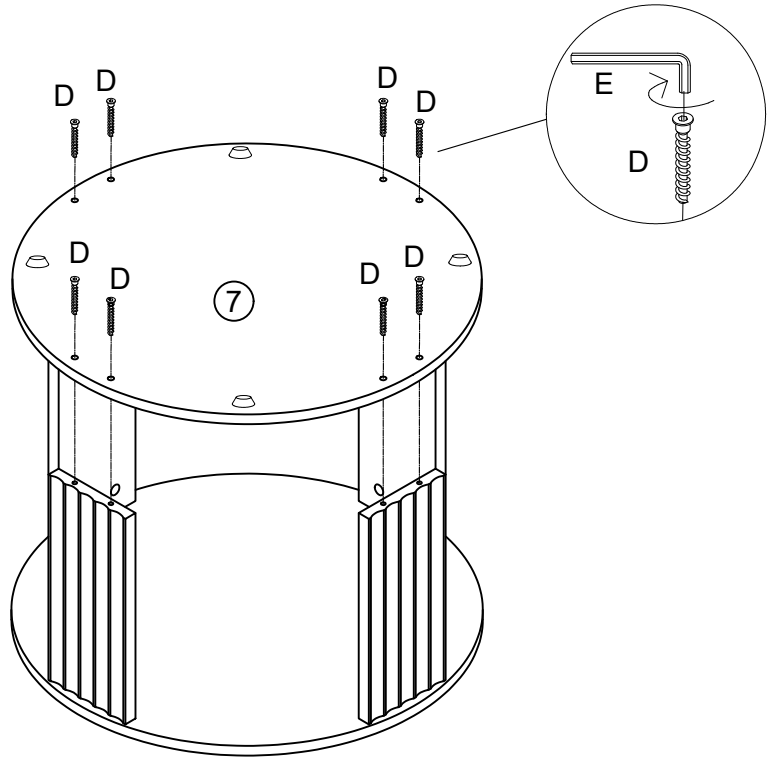
A	
	M6x44 CAM Lock Screw
	8pcs


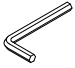
6. Attach the Side Panel to the Small Panel.



B		C	
	Φ15x11mm CAM Lock		Φ20mm Cover
	8pcs		8pcs

7. Attach the Bottom Panel to the Frame.



D	E
	
M7x50mm Screw	4mm Allen Key
8pcs	1pc

