

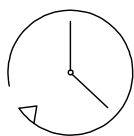
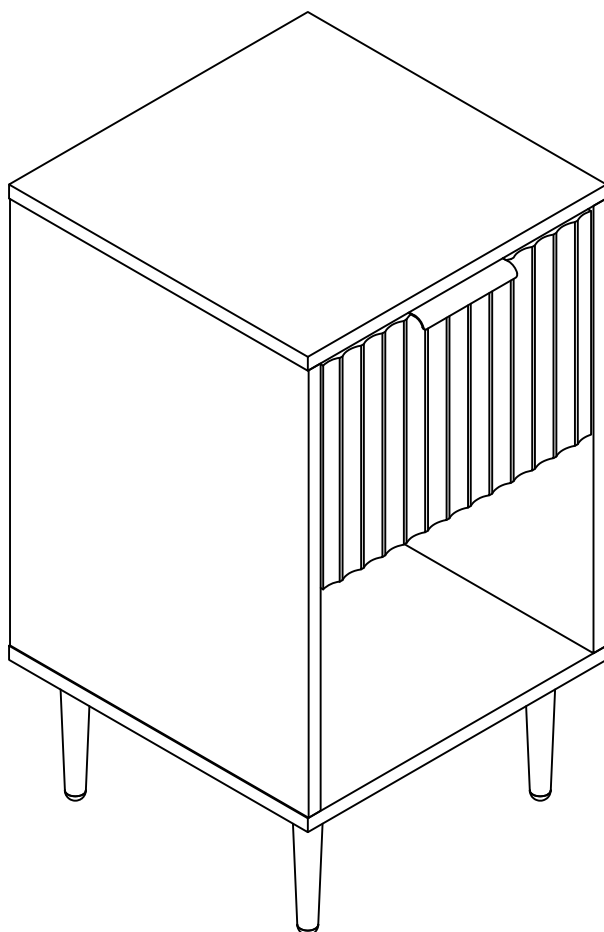
DUSK.COM

LIVING | BEDROOM | DINING

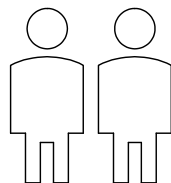
Range Name:EVIE

Box1 dimensions:L63.5xW49xH19(cm)

Evie Nightstand



**Up to 30 minutes
assembly time**



**Two person
assembly**

This product is intended for domestic use only, not commercial purposes.

IMPORTANT

ASSEMBLY TIP

Before you begin, it's best to identify all of the parts and fittings to build your nightstand frame. We advise laying these out on the clean and flat floor to check you have everything, and to familiarise yourself with all of the parts and fittings before building.

TOP TIP

We recommend that you assemble the nightstand in the room you'd like it to be located. This will help prevent any risk of damage to the frame whilst moving it.

SAFETY AND CARE

1. Do not stand on your product. Pregnant women should take additional care when using this product. Do not leave the child unattended. Children should always be under direct adult supervision whilst using this product. Always use on firm level ground, ensuring all legs remain in contact with the ground.
2. It's important to ensure children and animals are kept away from the assembly area, as there are small components used in this product which could present a choking hazard. All plastic and wrapping materials should also be kept away from children and animals to prevent any risk of suffocation.

HELP AND SUPPORT

Please contact our customer service team on 0113 519 0311 if you have any questions or issues with your purchase.

RECYCLING

Please ensure that packaging is disposed of in a safe and environmentally friendly way, and recycle where possible. Please keep your assembly instructions safe to refer back to in the future.

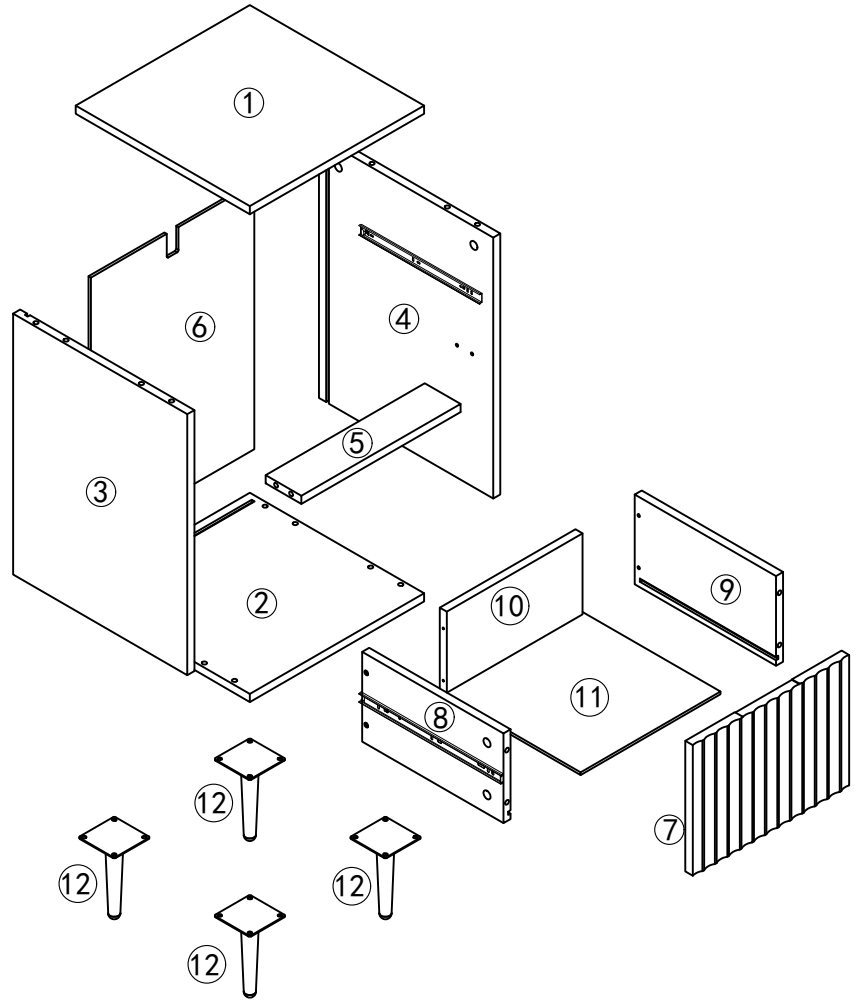
CARE AND MAINTENANCE:

1. Only use clean , colourless sponge or cloth to avoid any colour transfer or smearing , do not use bleach or abrasive cleaners as they may damage the nightstand top over time.
2. Do not use a very wet cloth or allow any liquid to contact with the nightstand for a long period of time. Wipe any spillage immediately.
3. Do not scrub or rub the surface when cleaning.
4. Do not drag the nightstand when moving , lift it off the floor instead.
5. Use a placemat or a coaster when putting hot items (e . g . hot drinks and dishes) on the nightstand surface.
6. It is not recommended to place the item next to sources of heat such as radiators, fires or directly exposed to sunlight.
7. Regularly check all fixings to ensure none have come loose. Re - tighten if necessary.
8. Avoid sharp items such as a screwdriver or any pointy tools.
9. Dispose of all packaging carefully and responsibly - recycle where possible.
10. Due to the delicate nature of this product, please gently place hard items onto the nightstand top to avoid damaging the surface.

Parts List

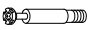



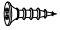
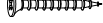
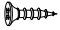
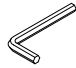



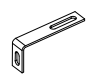


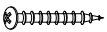
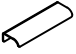
Before you begin building your Evie Nightstand, please take a moment to read through the instructions and make sure that you have all the relevant parts listed on the parts check list.

Part Number	Part Description	Quantity
①	Top panel	1 pc
②	Bottom panel	1 pc
③	Left side panel	1 pc
④	Right side panel	1 pc
⑤	Centre support	1 pc
⑥	Back panel	1 pc
⑦	Drawer front	1 pc
⑧	Drawer left panel	1 pc
⑨	Drawer right panel	1 pc
⑩	Drawer back panel	1 pc
⑪	Drawer base	1 pc
⑫	Foot	4 pcs

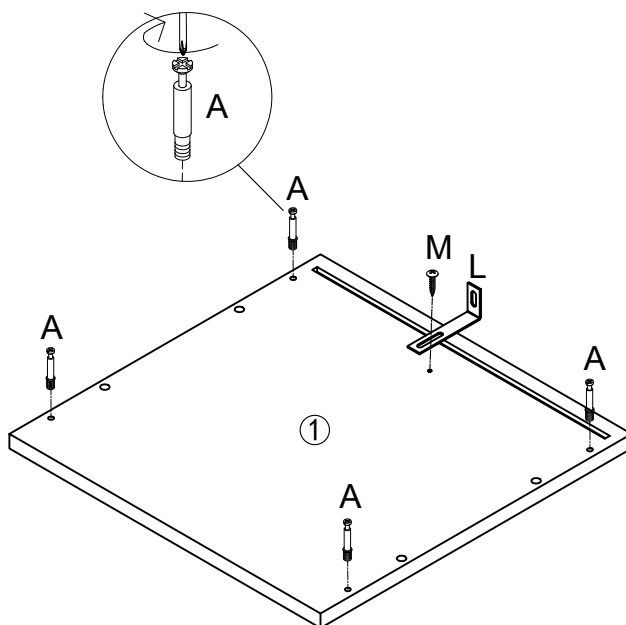


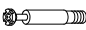
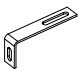

Fittings

Please check you have all the fittings listed below with your product

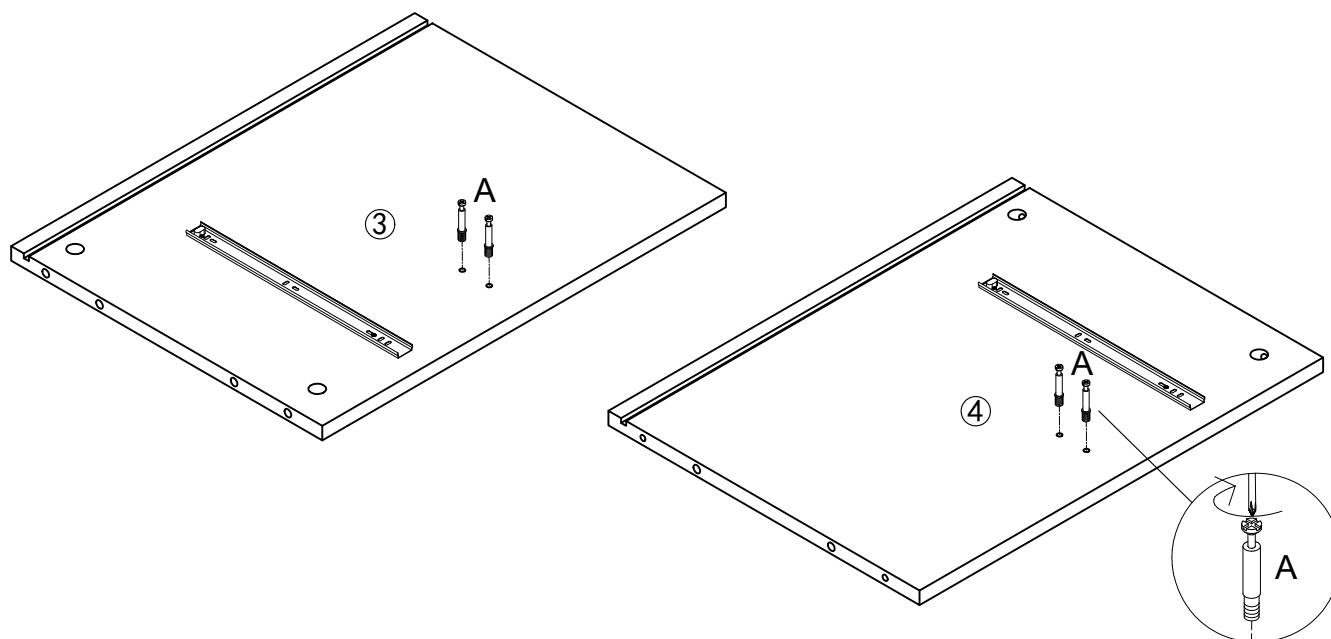
A		B		C		D		E		F		G		H	
M6x44 CAM Lock Screw	Φ15x11mm CAM Lock	Φ20mm Cover	Φ8x30mm Wooden Dowel	M3.5x14mm Screw	M3.5x35mm Screw	M3x12mm Screw	4mm Allen Key								
12pcs+1pc extra	12pcs +1pc extra	4pcs	8pcs +1pc extra	4pcs	4pcs	2pcs	1pc								
I		J		K		L		M		N		O		P	
M7x50mm Screw	M4x14mm Screw	15x9mm Plastic Buckle	76x32mm L-shaped Bracket	M4x12mm Screw	Φ8mm Expansion Tube	M4x40mm Screw	Handle								
4pcs	16pcs +2pcs extra	4pcs	1pc	1pc	1pc	1pc	1pc								

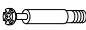
1. Attach parts to the Top panel.



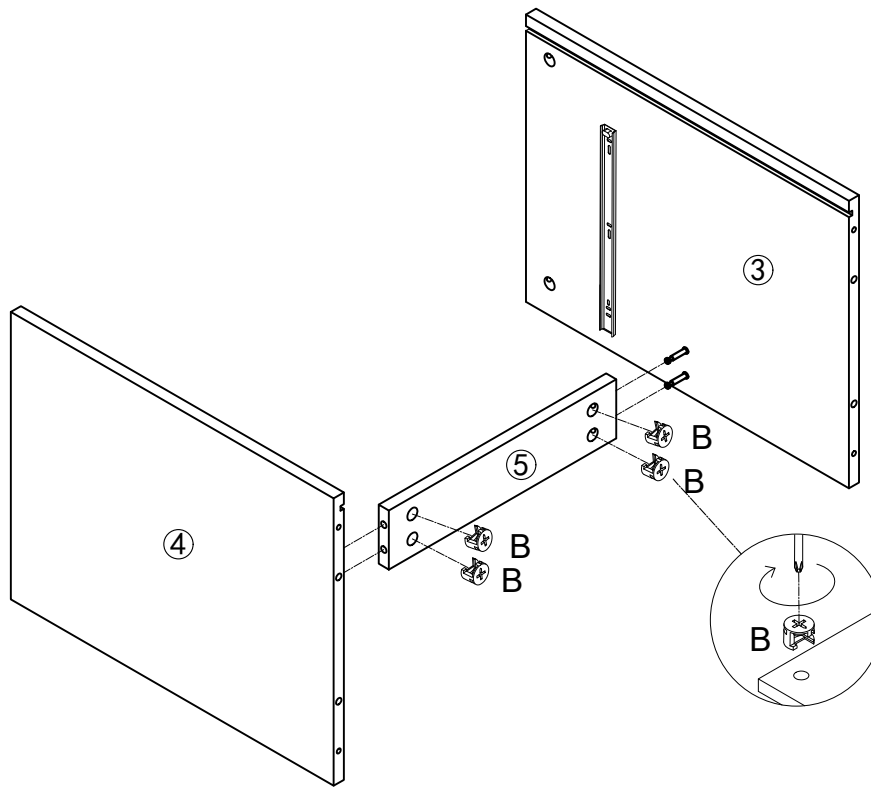
A	L	M
		
M6x44 CAM Lock Screw	76x32mm L-shaped Bracket	M4x12mm Screw
4pcs	1pc	1pc


2. Attach parts to the side panels.



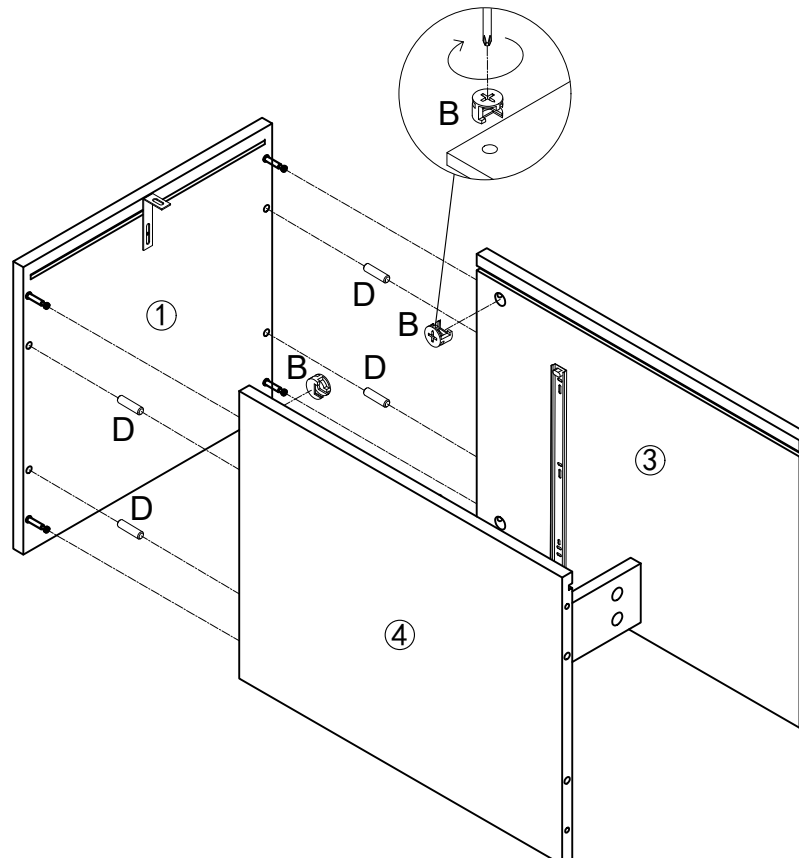
A

M6x44 CAM Lock Screw
4pcs



3. Attach the Side Panels to the Centre Support.



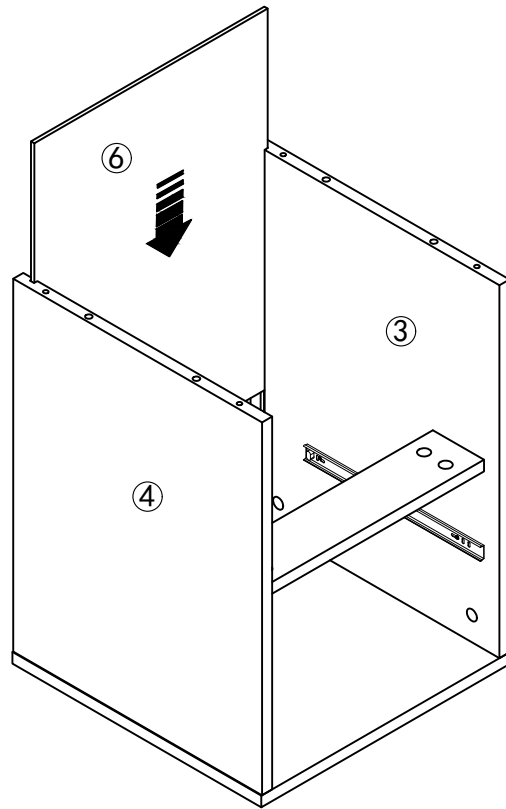
B	
Φ15x11mm CAM Lock 4pcs	

4. Attach the Top panel to the Frame.

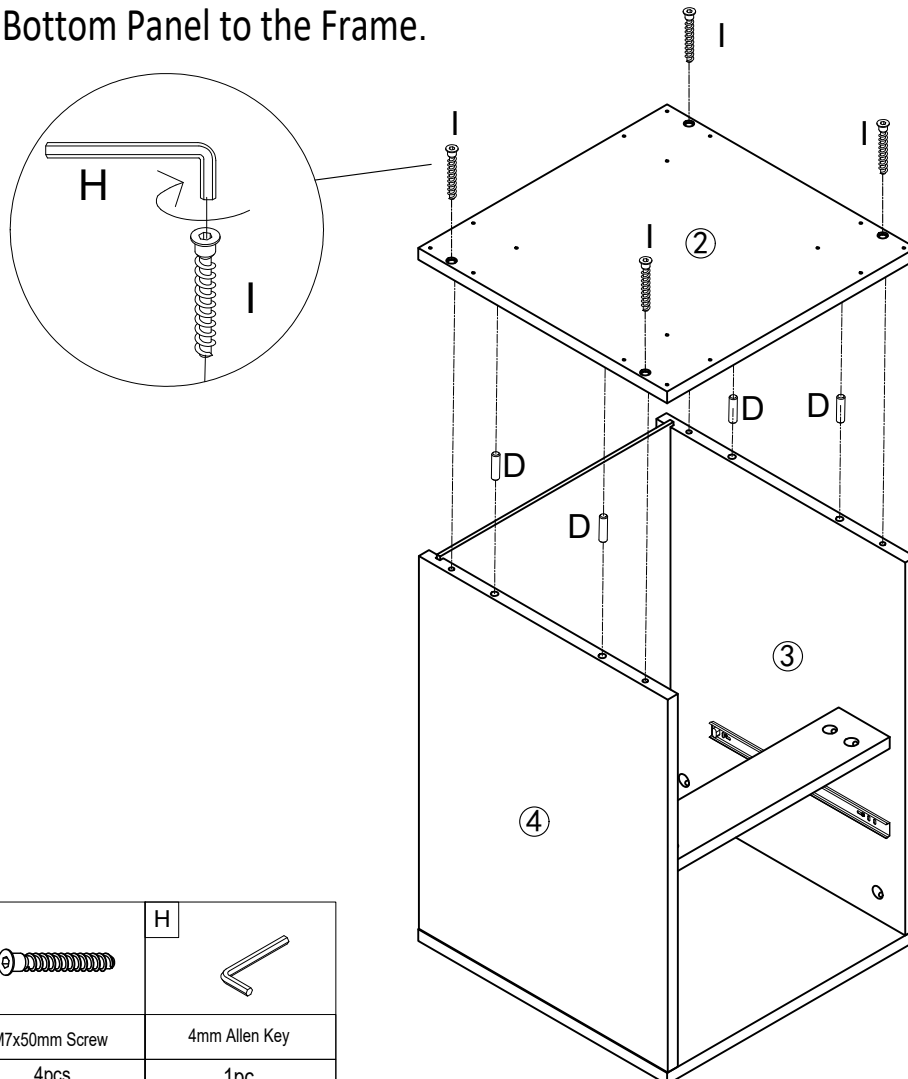




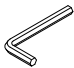
B		D	
Φ15x11mm CAM Lock 4pcs		Φ8x30mm Wooden Dowel 4pcs	

5. Attach the Back Panel into the Frame.

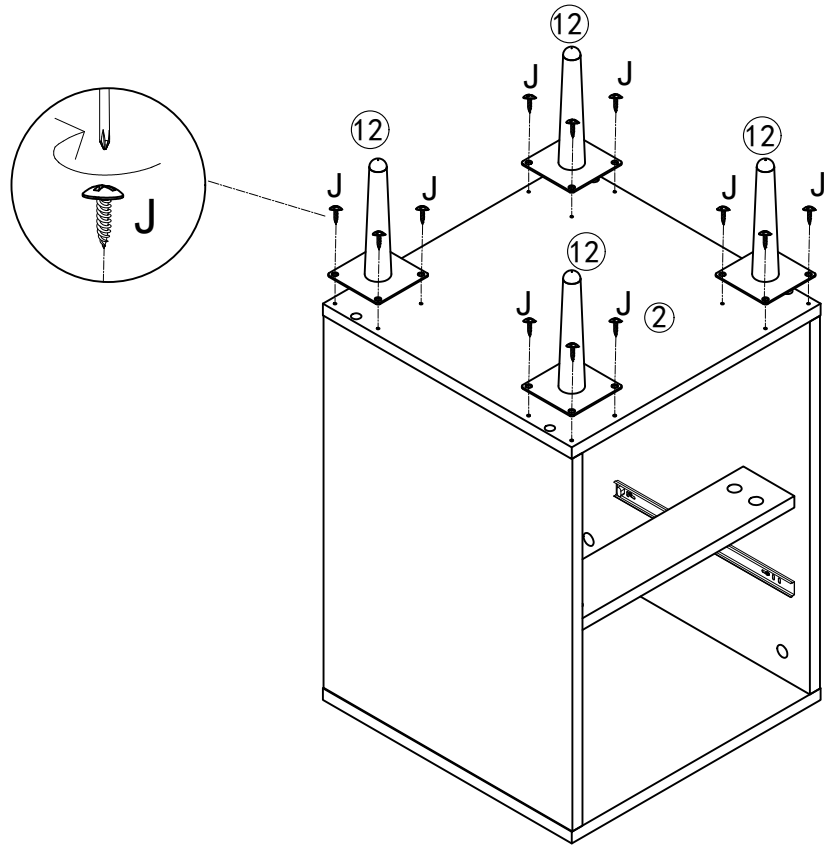



6. Attach the Bottom Panel to the Frame.



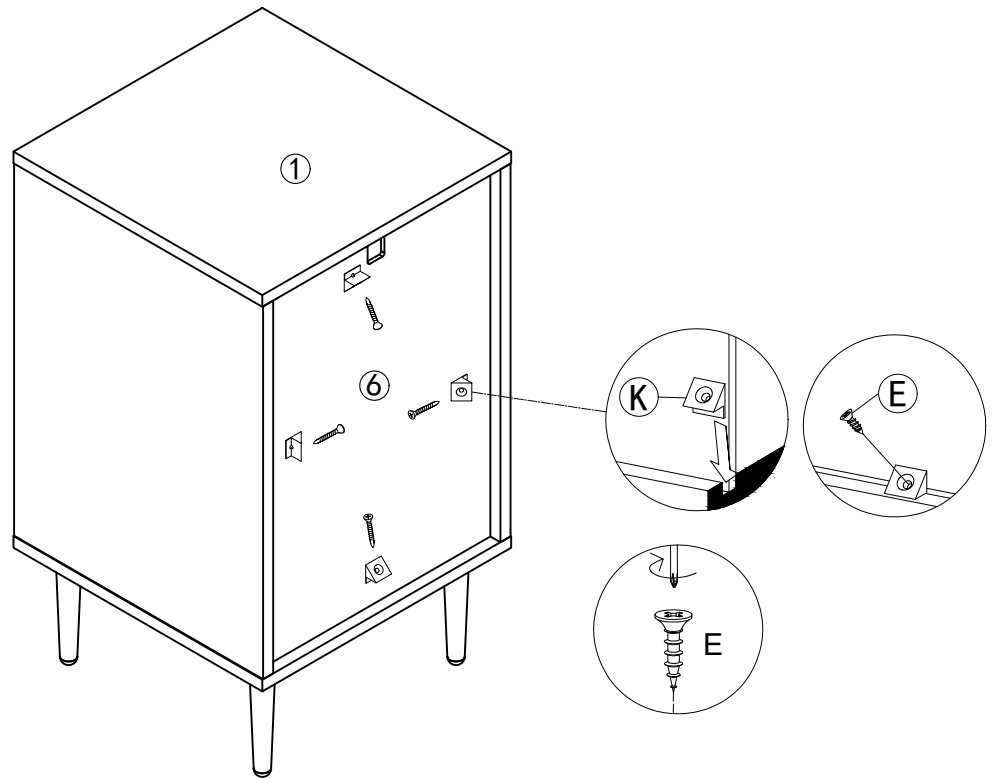
D	I	H
		
Φ8x30mm Wooden Dowel	M7x50mm Screw	4mm Allen Key
4pcs	4pcs	1pc

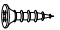

7. Attach the Feet to the Frame.



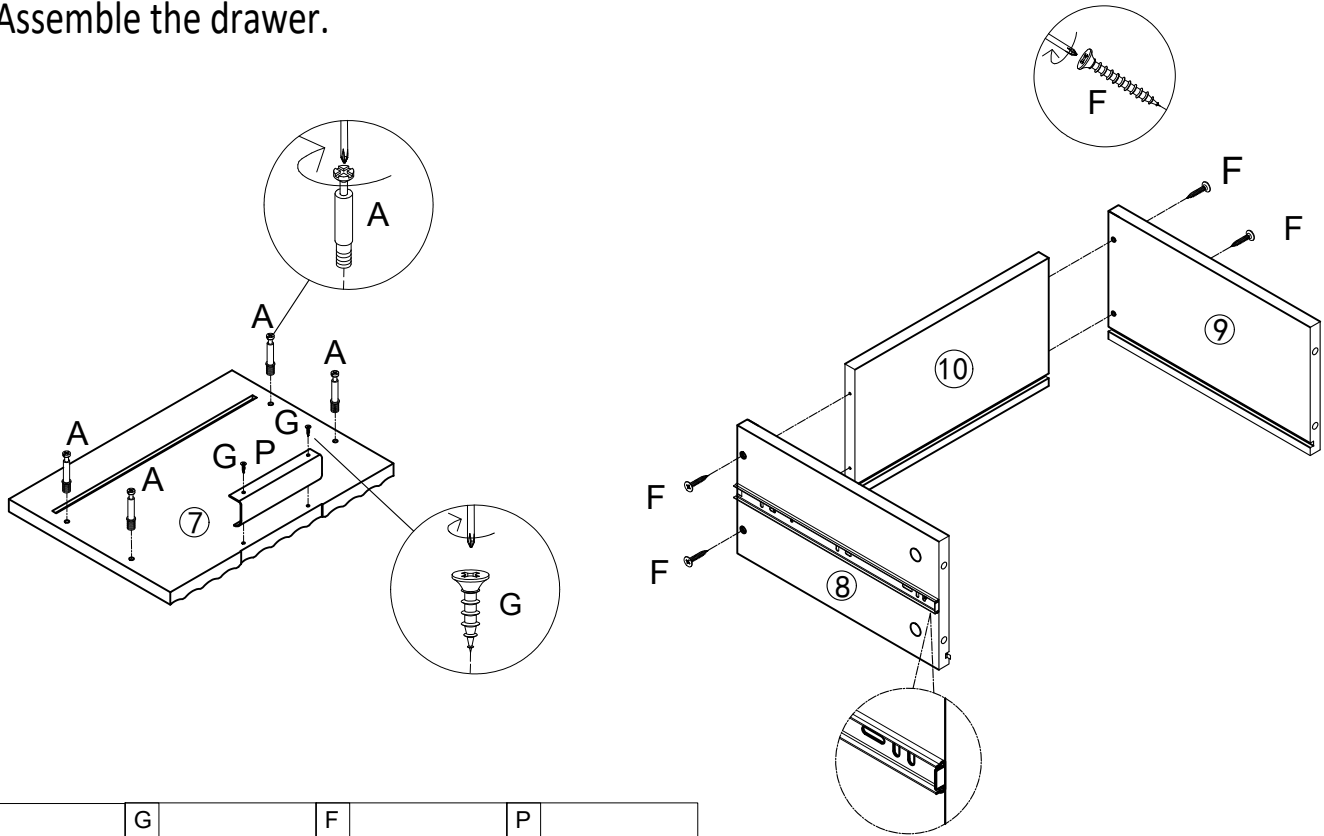
J	
M4x14mm Screw	
16pcs	

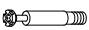
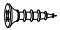
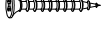

8. Attach the Plastic Buckles.



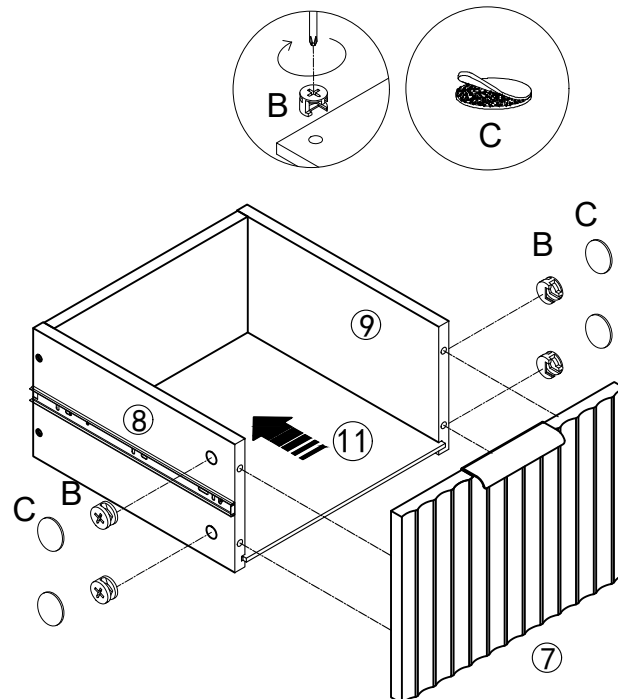
E		K	
M3.5x14mm Screw		15x9mm Plastic Buckle	
4pcs		4pcs	



9. Assemble the drawer.



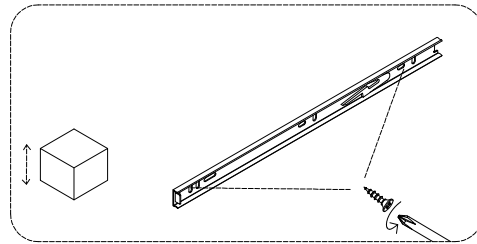
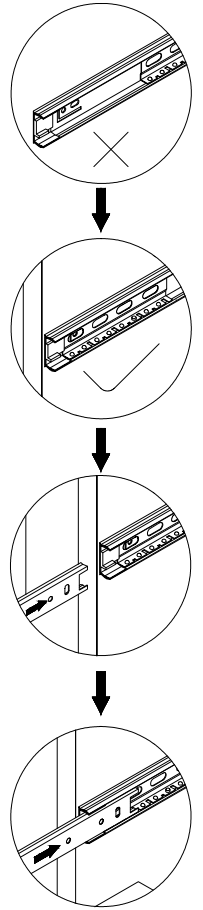
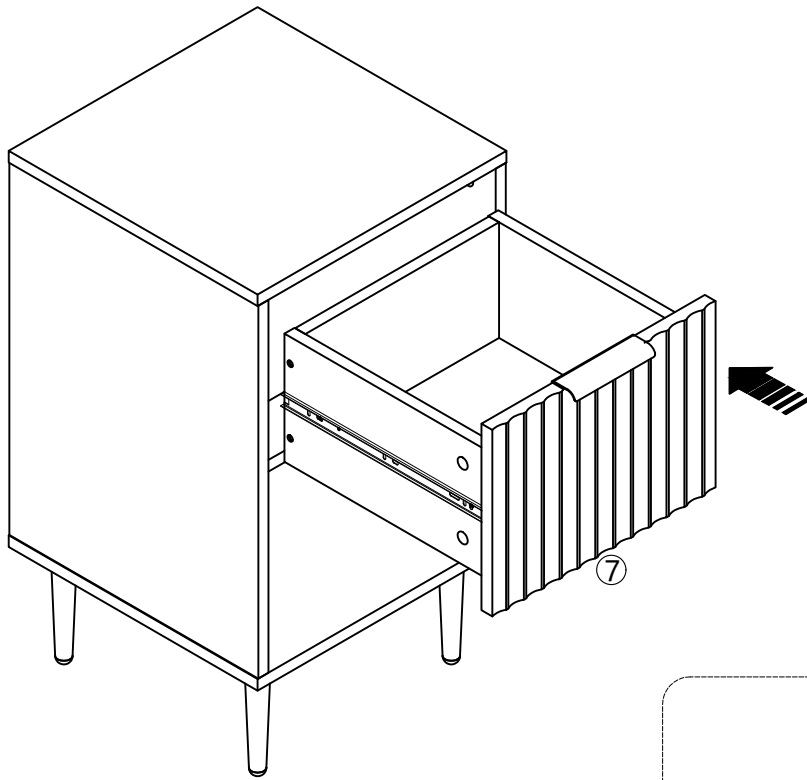
A	G	F	P
			
M6x44 CAM Lock Screw	M3x12mm Screw	M3.5x35mm Screw	Handle
4pcs	2pcs	4pcs	1pc

10. Slide in the Drawer Base, and attach the Drawer Front by locking the CAM Locks tightly.

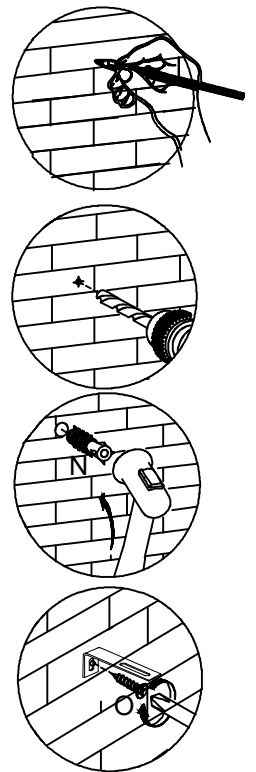
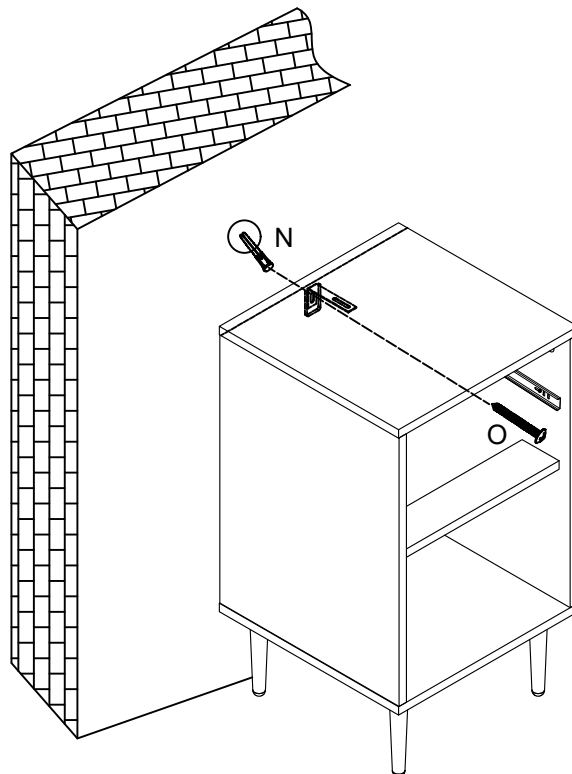


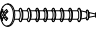

B	C
	
Φ15x11mm CAM Lock	Φ20mm Cover
4pcs	4pcs

11. Assemble the drawer into the Frame.



12. Fix the L-Shaped Bracket to the wall.



O	N
	
M4x40mm Screw	Phi 8mm Expansion Tube
1pc	1pc