

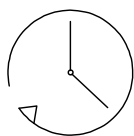
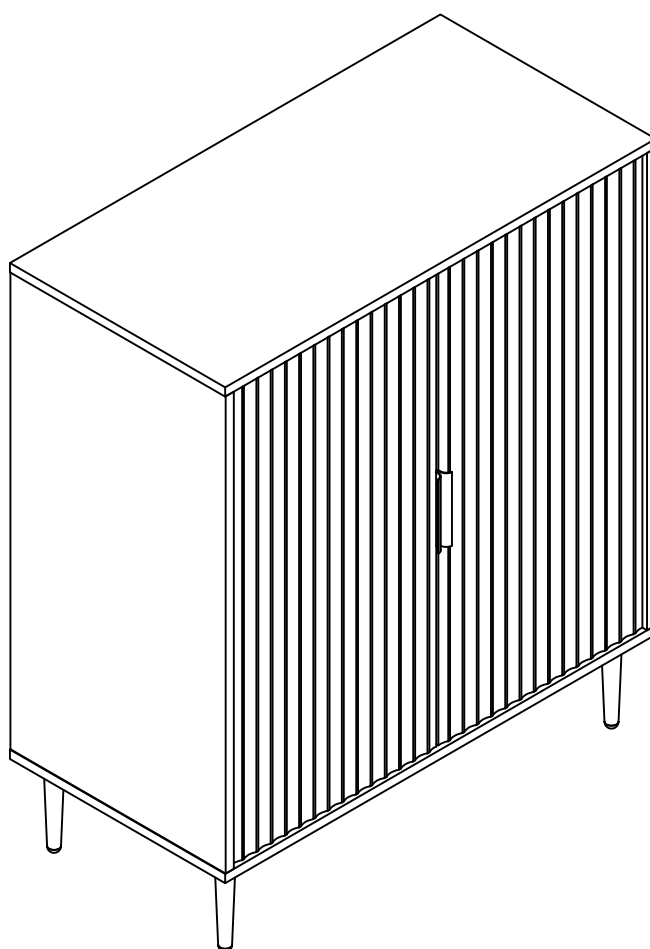
DUSK.COM

LIVING | BEDROOM | DINING

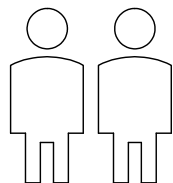
Range Name:EVIE

Box1 dimensions:L96.5xW52xH23(cm)

Evie Drinks Cabinet



**Up to 30 minutes
assembly time**



**Two person
assembly**

This product is intended for domestic use only, not commercial purposes.

IMPORTANT

ASSEMBLY TIP

Before you begin , it's best to identify all of the parts and fittings to build your drinks cabinet frame. We advise laying these out on the clean and flat floor to check you have everything , and to familiarise yourself with all of the parts and fittings before building.

TOP TIP

We recommend that you assemble the drinks cabinet in the room you'd like it to be located. This will help prevent any risk of damage to the frame whilst moving it.

SAFETY AND CARE

1. Do not stand on your product. Pregnant women should take additional care when using this product. Do not leave the child unattended. Children should always be under direct adult supervision whilst using this product. Always use on firm level ground, ensuring all legs remain in contact with the ground.
2. It's important to ensure children and animals are kept away from the assembly area, as there are small components used in this product which could present a choking hazard. All plastic and wrapping materials should also be kept away from children and animals to prevent any risk of suffocation.

HELP AND SUPPORT

Please contact our customer service team on 0113 519 0311 if you have any questions or issues with your purchase.

RECYCLING

Please ensure that packaging is disposed of in a safe and environmentally friendly way, and recycle where possible. Please keep your assembly instructions safe to refer back to in the future.

CARE AND MAINTENANCE:

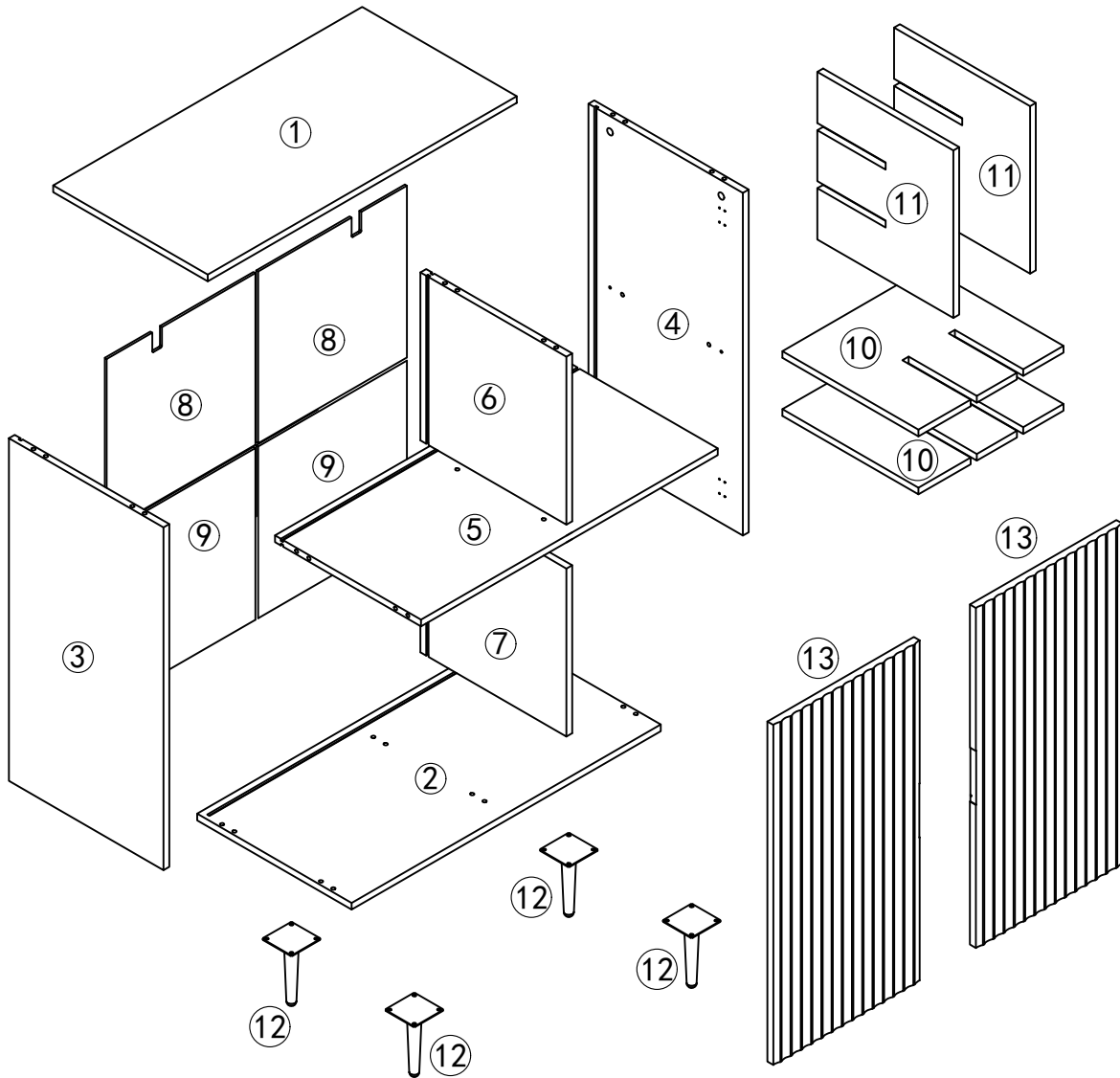
1. Only use clean , colourless sponge or cloth to avoid any colour transfer or smearing , do not use bleach or abrasive cleaners as they may damage the drinks cabinet top over time.
2. Do not use a very wet cloth or allow any liquid to contact with the drinks cabinet for a long period of time . Wipe any spillage immediately.
3. Do not scrub or rub the surface when cleaning.
4. Do not drag the drinks cabinet when moving , lift it off the floor instead.
5. Use a placemat or a coaster when putting hot items (e . g . hot drinks and dishes) on the drinks cabinet surface.
6. It is not recommended to place the item next to sources of heat such as radiators , fires or directly exposed to sunlight.
7. Regularly check all fixings to ensure none have come loose . Re - tighten if necessary.
8. Avoid sharp items such as a screwdriver or any pointy tools.
9. Dispose of all packaging carefully and responsibly - recycle where possible.
10. Due to the delicate nature of this product , please gently place hard items onto the drinks cabinet top to avoid damaging the surface.

Parts List

Before you begin building your Evie Drinks Cabinet, please take a moment to read through the instructions and make sure that you have all the relevant parts listed on the parts check list.

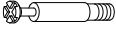



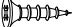
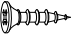
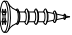
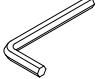



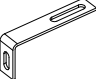


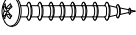


Part Number	Part Description	Quantity
①	Top panel	1 pc
②	Bottom panel	1 pc
③	Left side panel	1 pc
④	Right side panel	1 pc
⑤	Shelf panel	1 pc
⑥	Upper middle panel	1 pc
⑦	Lower middle panel	1 pc

Part Number	Part Description	Quantity
⑧	Upper back panel	2 pcs
⑨	Lower back panel	2 pcs
⑩	Drink holder shelf panel	2 pcs
⑪	Drink holder vertical panel	2 pcs
⑫	Foot	4 pcs
⑬	Door	2 pcs

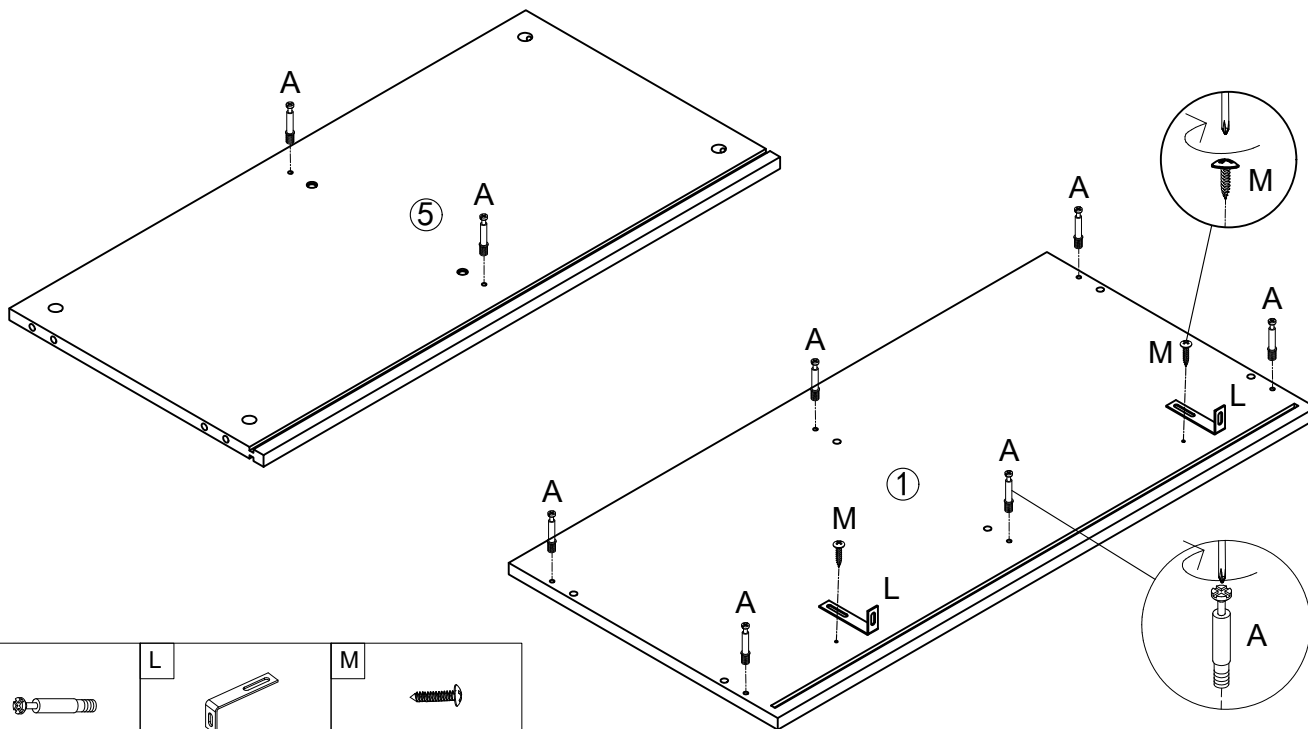


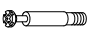
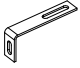

Fittings

Please check you have all the fittings listed below with your product

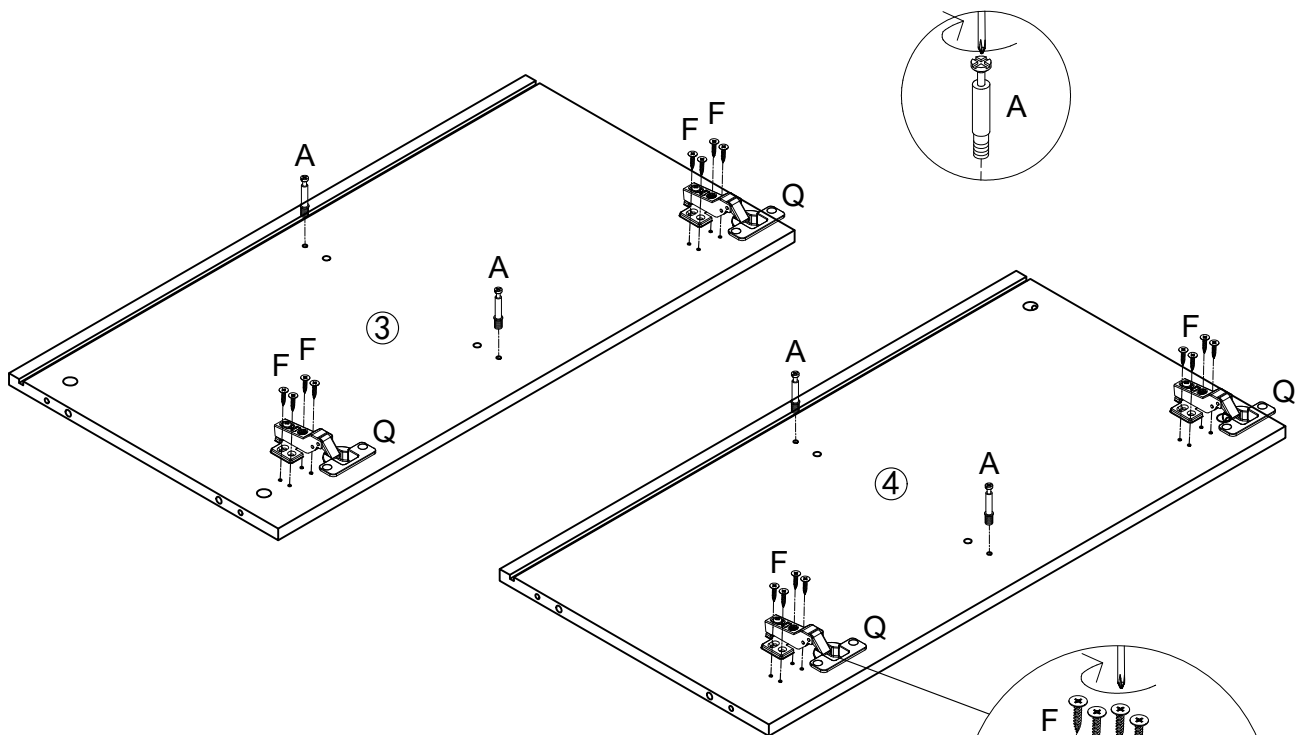
<p>A</p>  <p>M6x44 CAM Lock Screw</p>	<p>B</p>  <p>Φ15x11mm CAM Lock</p>	<p>C</p>  <p>Φ20mm Cover</p>	<p>D</p>  <p>Φ8x30mm Wooden Dowel</p>	<p>E</p>  <p>M3.5x14mm Screw</p>	<p>F</p>  <p>M4x14mm Screw</p>
<p>12pcs+1pc extra</p>	<p>12pcs +1pc extra</p>	<p>8pcs</p>	<p>16pcs +2pcs extra</p>	<p>16pcs+2pcs</p>	<p>24pcs +2pcs extra</p>
<p>G</p>  <p>M3x12mm Screw</p>	<p>H</p>  <p>4mm Allen Key</p>	<p>I</p>  <p>M7x50mm Screw</p>	<p>J</p>  <p>M4x14mm Screw</p>	<p>K</p>  <p>15x9mm Plastic Buckle</p>	<p>L</p>  <p>76x32mm L-shaped Bracket</p>
<p>4pcs</p>	<p>1pc</p>	<p>8pc+1pc extra</p>	<p>16pcs +2pcs extra</p>	<p>16pcs+2pcs extra</p>	<p>2pcs</p>
<p>M</p>  <p>M4x12mm Screw</p>	<p>N</p>  <p>Φ8mm Expansion Tube</p>	<p>O</p>  <p>M4x40mm Screw</p>	<p>P</p>  <p>Handle</p>	<p>Q</p>  <p>Hinge</p>	
<p>2pcs</p>	<p>2pcs</p>	<p>2pcs</p>	<p>2pcs</p>	<p>4pcs</p>	

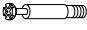
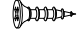

1. Attach parts to the Top Panel and Shelf Panel .



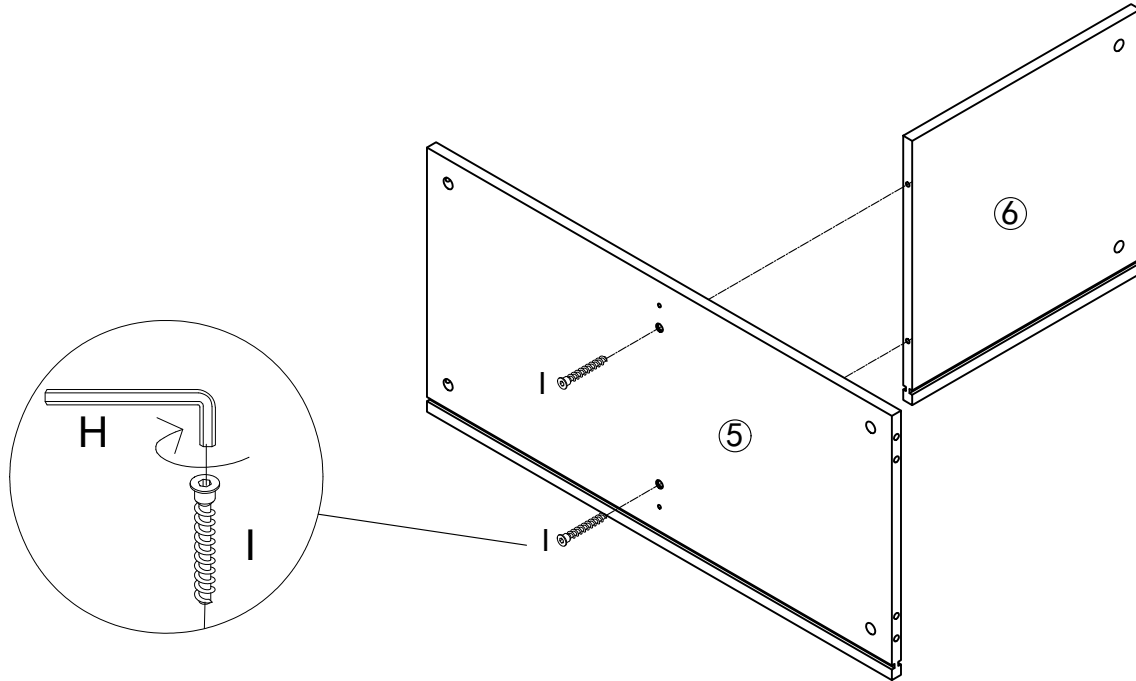
A	L	M
		
M6x44 CAM Lock Screw	76x32mm L-shaped Bracket	M4x12mm Screw
8pcs	2pcs	2pcs


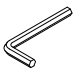
2. Attach parts to the Side Panels.



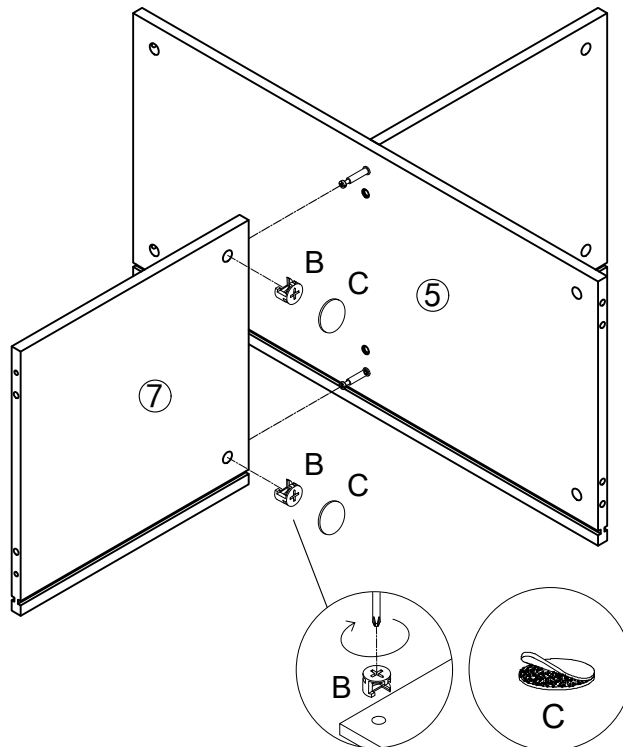
A	F	Q
		
M6x44 CAM Lock Screw	M4x14mm Screw	Hinge
4pcs	16pcs	4pcs



3. Attach the Upper middle panel to the Shelf Panel.



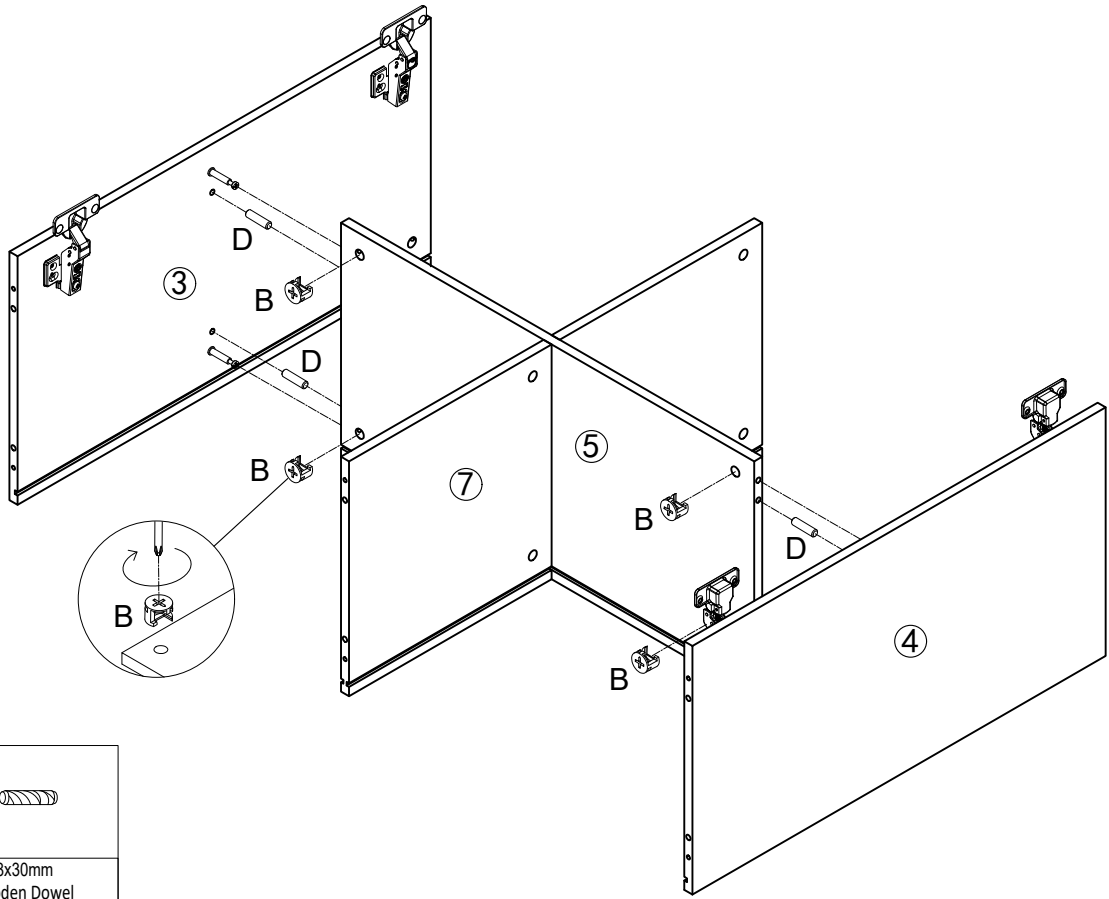
I	H
	
M7x50mm Screw	4mm Allen Key
2pcs	1pc


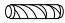
4. Attach the Lower middle panel to the Frame.



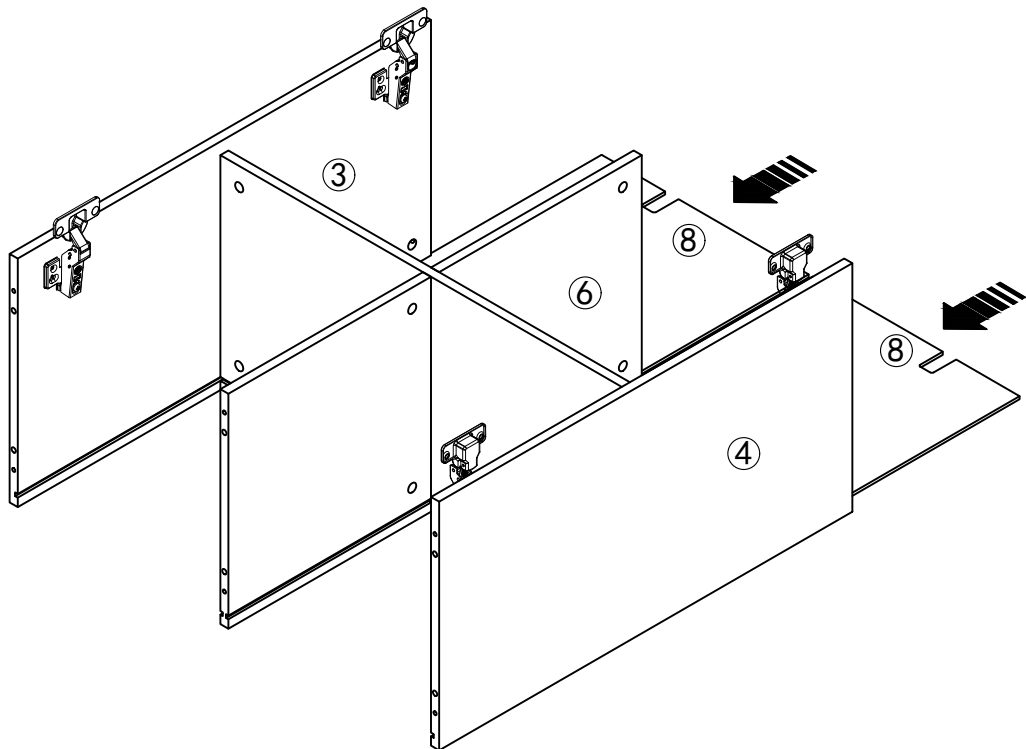
B	C
	
Φ15x11mm CAM Lock	Φ20mm Cover
2pcs	2pcs

5. Attach the Side Panels to the Frame.

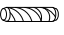




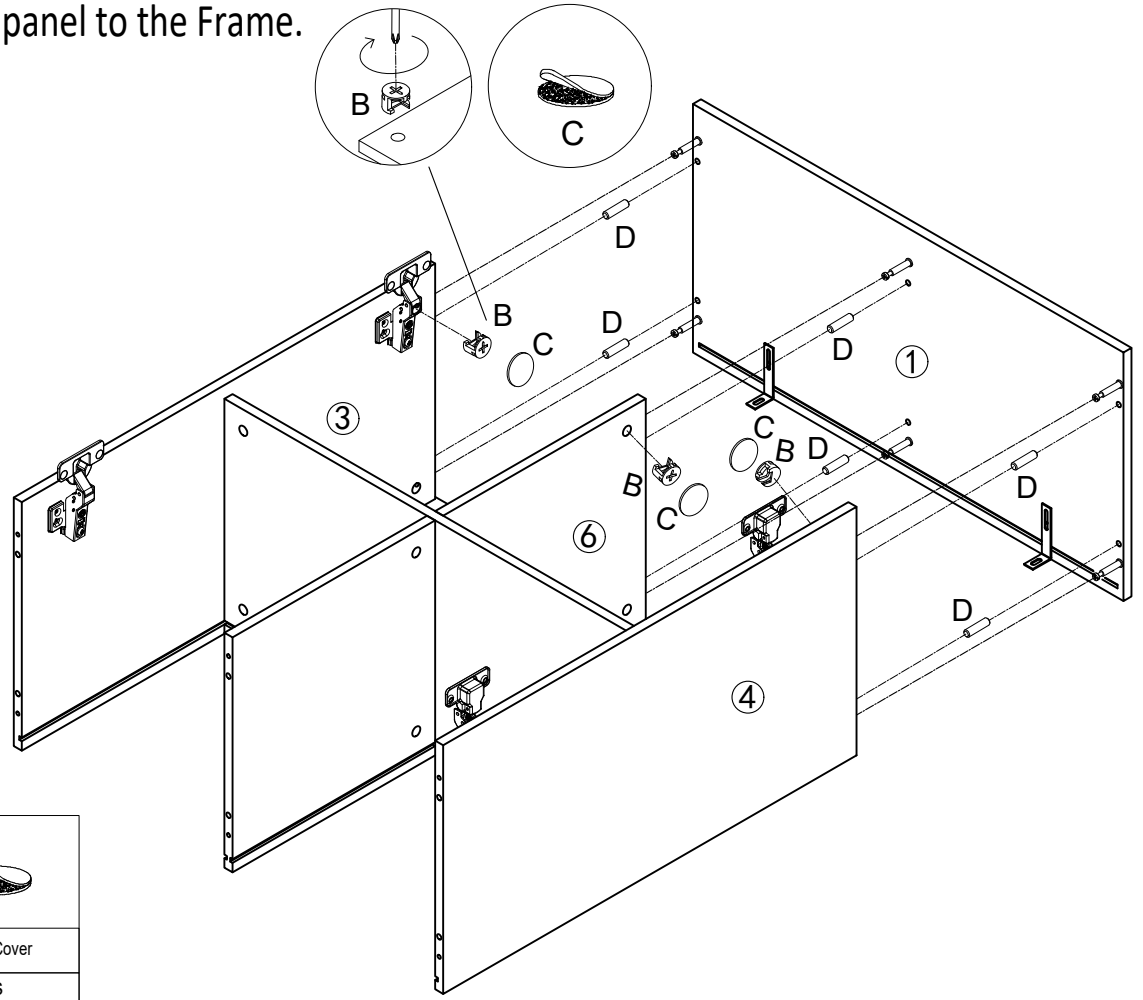
B	D
	
Φ15x11mm CAM Lock 4pcs	Φ8x30mm Wooden Dowel 4pcs

6. Attach the Upper back panels into the Frame.

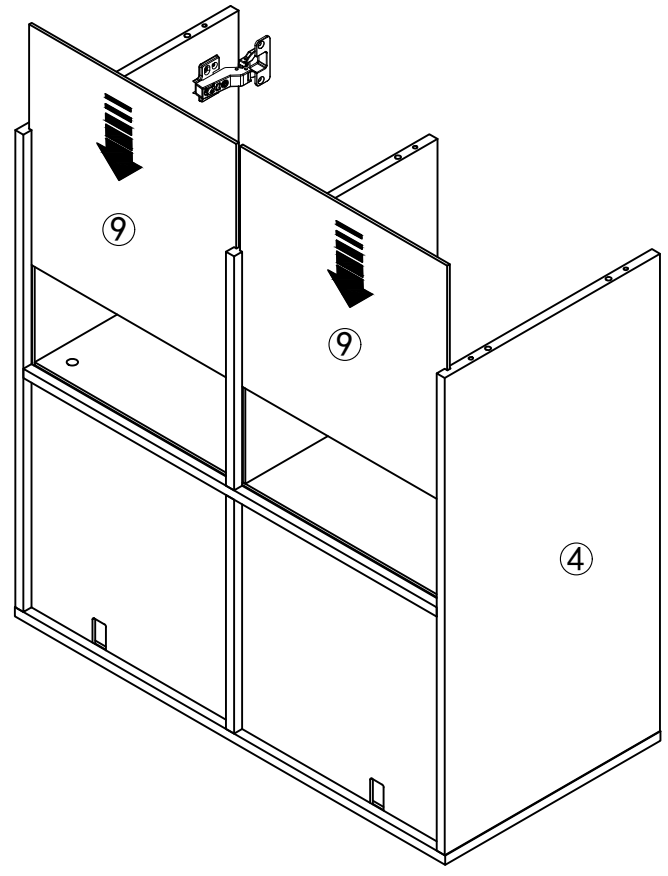


7. Attach the Top panel to the Frame.

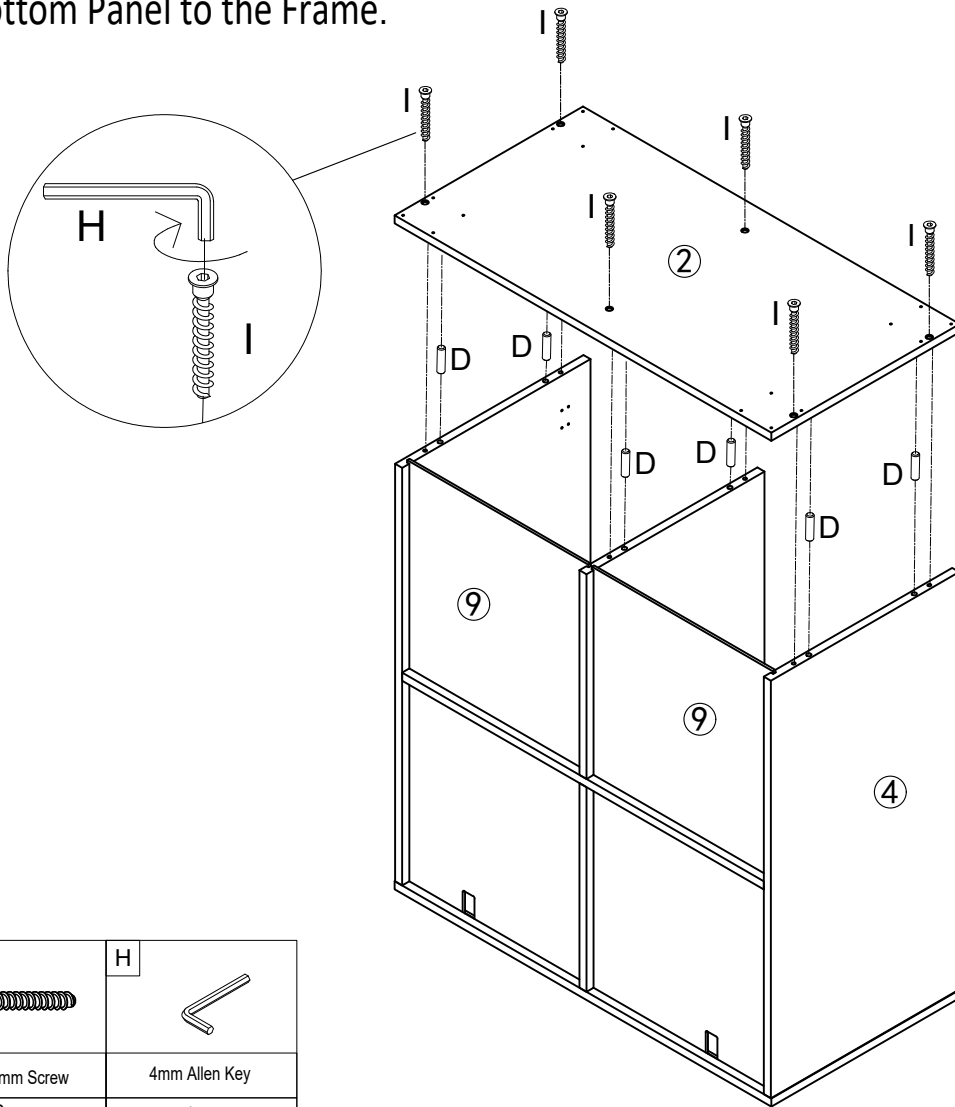
D		
	Φ8x30mm Wooden Dowel 6pcs	
B		C
	Φ15x11mm CAM Lock 6pcs	
		Φ20mm Cover 6pcs

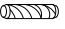

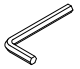


8. Attach the Lower back panels into the Frame.

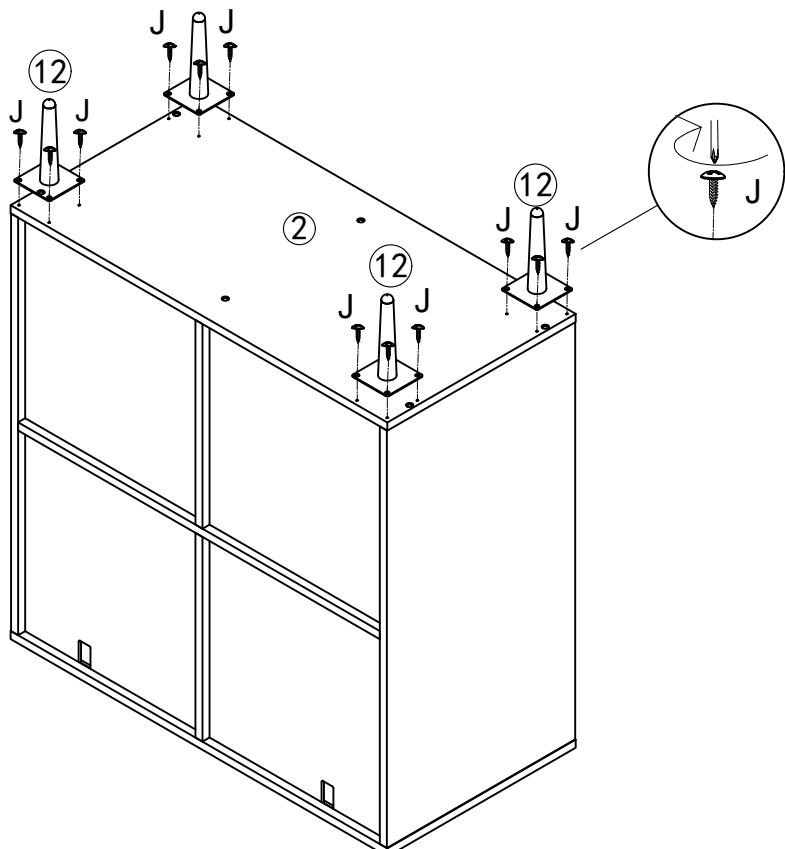



9. Attach the Bottom Panel to the Frame.



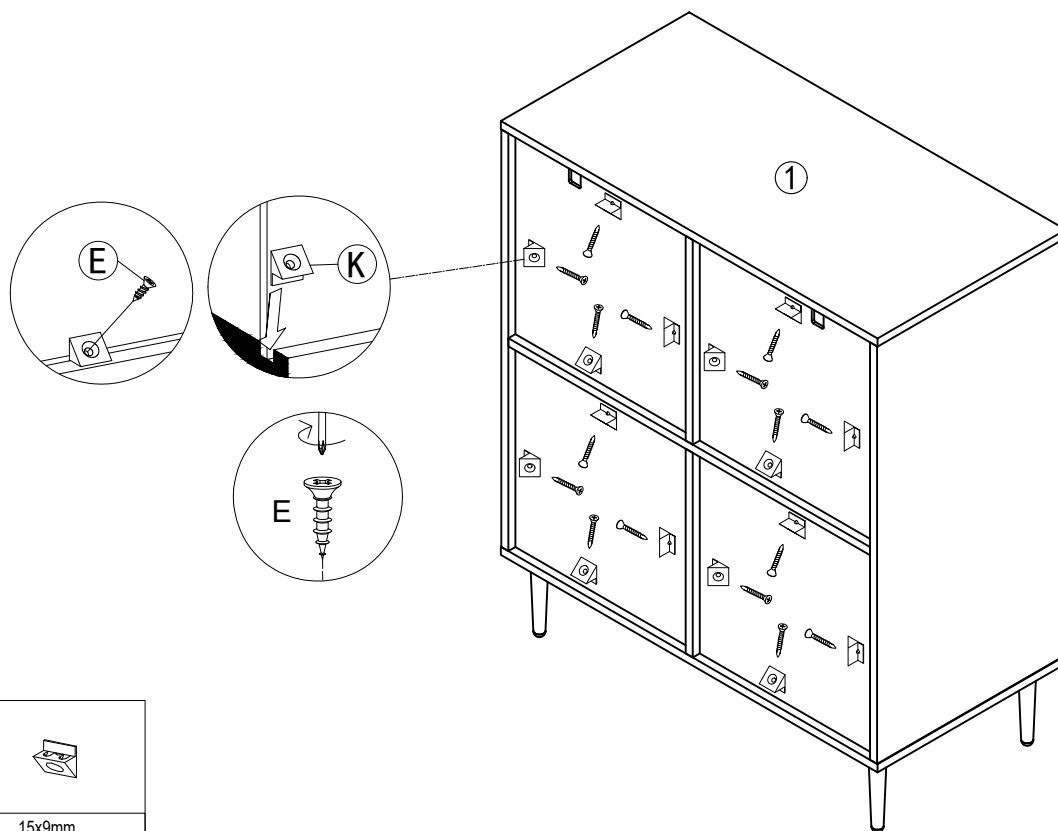
D		I		H	
	Φ8x30mm Wooden Dowel		M7x50mm Screw		4mm Allen Key
	6pcs		6pcs		1pc

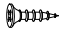

10. Attach the Feet to the Frame.



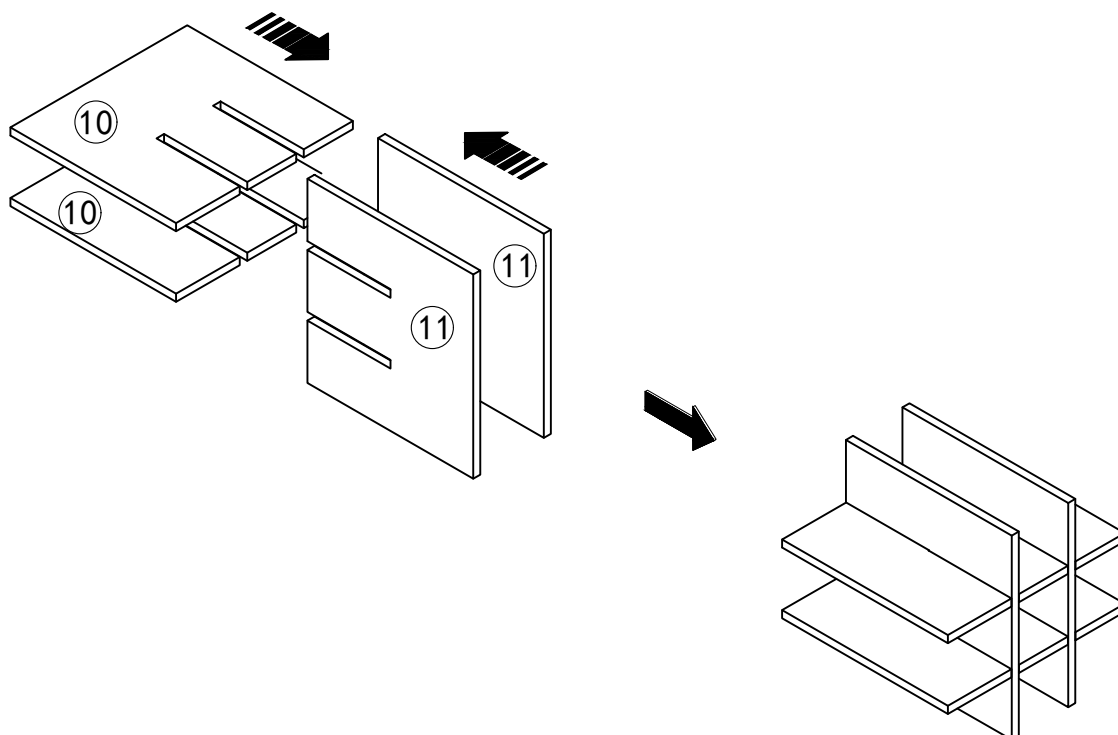
J	
	M4x14mm Screw
	16pcs

11. Attach the Plastic Buckles.

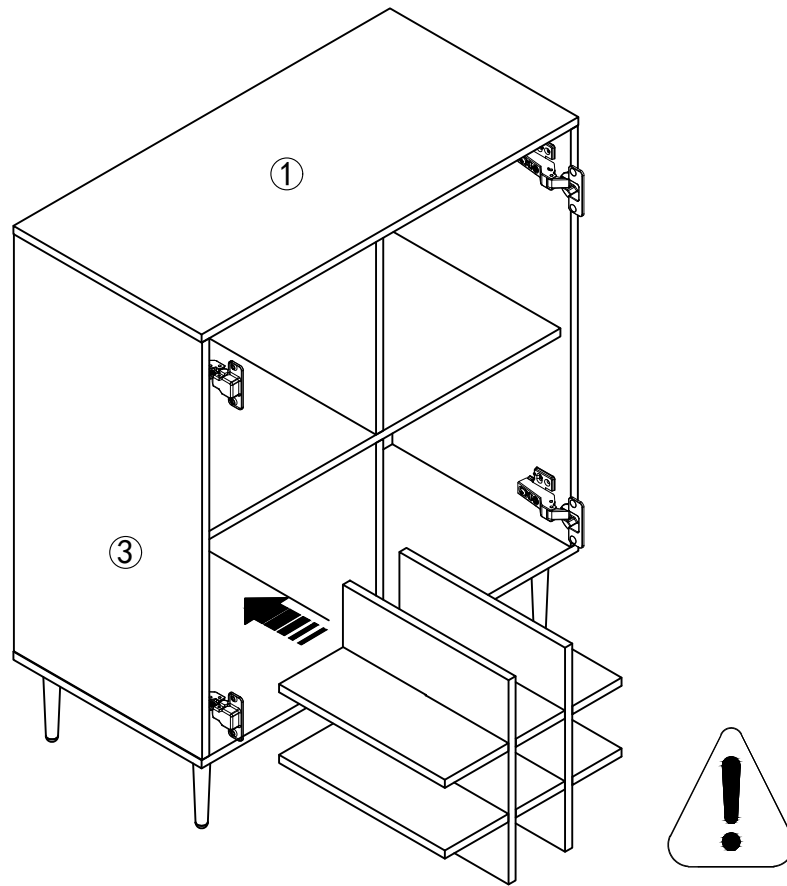


E	K
	
M3.5x14mm Screw	15x9mm Plastic Buckle
16pcs	16pcs

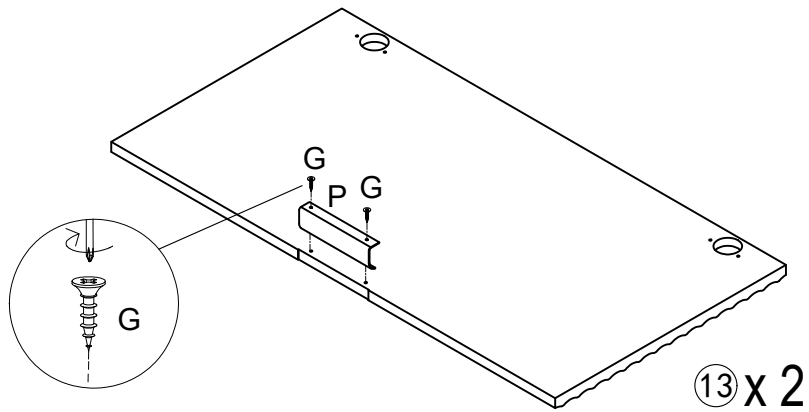
12. Assemble the Drink Holder.

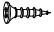



13. Assemble the Drink holder panels into the Frame.

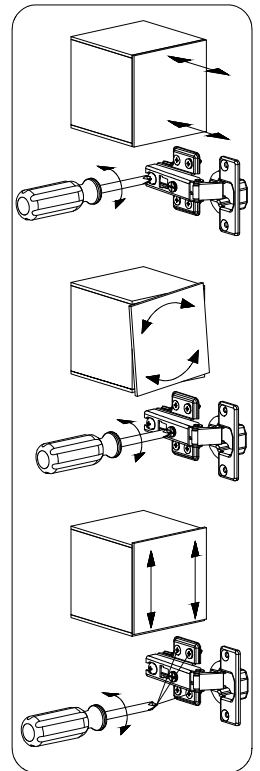
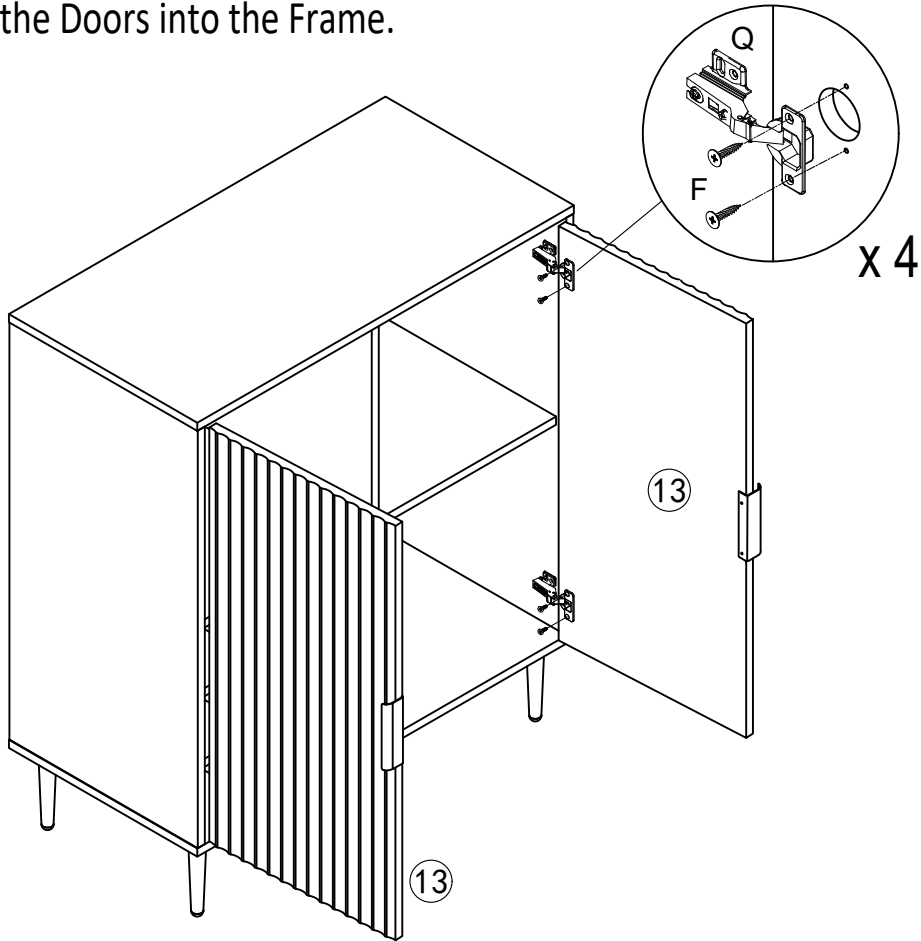


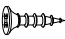
14. Assemble the Doors.



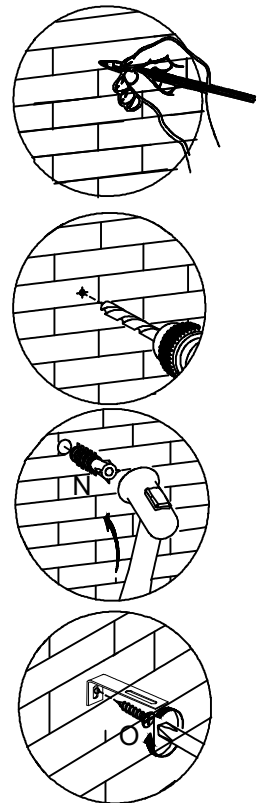
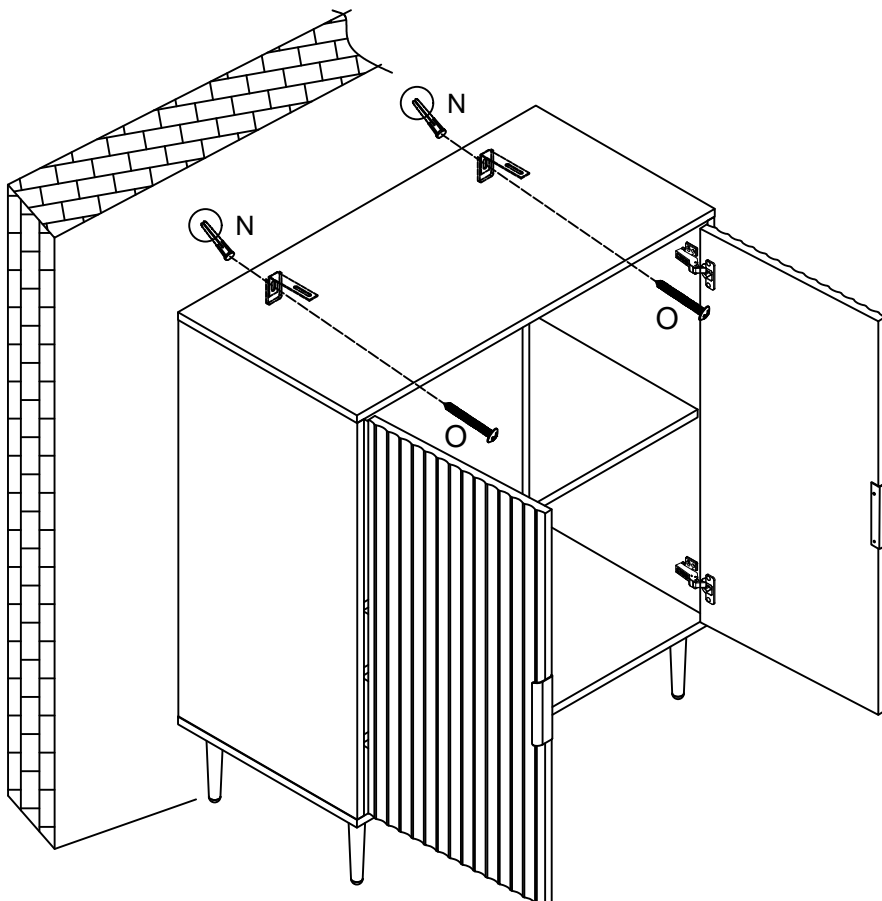
G	P
	
M3x12mm Screw	Handle
4pcs	2pcs


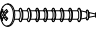
15. Assemble the Doors into the Frame.



F	
M4x14mm Screw	
8pcs	

16. Fix the L-Shaped Brackets to the wall.



N	
Φ8mm Expansion Tube	
2pcs	
O	
M4x40mm Screw	
2pcs	