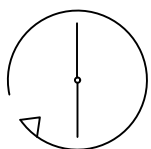
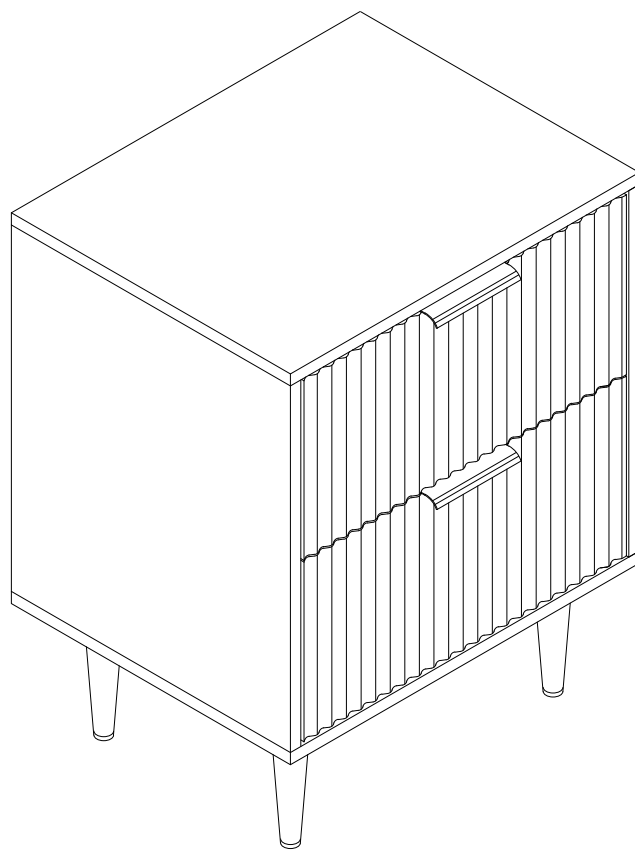


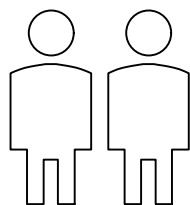
**DUSK.COM**  
LIVING | BEDROOM | DINING

Range Name : EVIE  
Box dimensions : 75.5x55x19.5cm

## Evie Bedside



Up to 30 minutes  
assembly time



Two person  
assembly

This product is intended for domestic use only, not for commercial purposes.

## IMPORTANT

### ASSEMBLY TIP

Before you begin, it's best to identify all of the parts and fittings to build your Evie Bedside frame. We advise laying these out on the floor to check you have everything, and to familiarise yourself with all of the parts and fittings before building.

### TOP TIP

We recommend that you assemble the Evie Bedside in the room you'd like it to be located. This will help prevent any risk of damage to the frame whilst moving it.

### SAFETY AND CARE

It's important to ensure children and animals are kept away from the assembly area, as there are small components used in this product which could present a choking hazard. All plastic and wrapping materials should also be kept away from children and animals to prevent any risk of suffocation.

### HELP AND SUPPORT

Please contact our customer service team on 0113 519 0311 if you have any questions or issues with your purchase.

### RECYCLING

Please ensure that packaging is disposed of in a safe and environmentally friendly way, and recycle where possible. Please keep your assembly instructions safe to refer back to in the future.

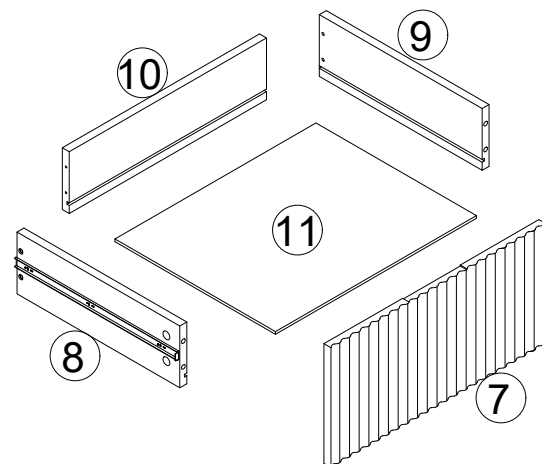
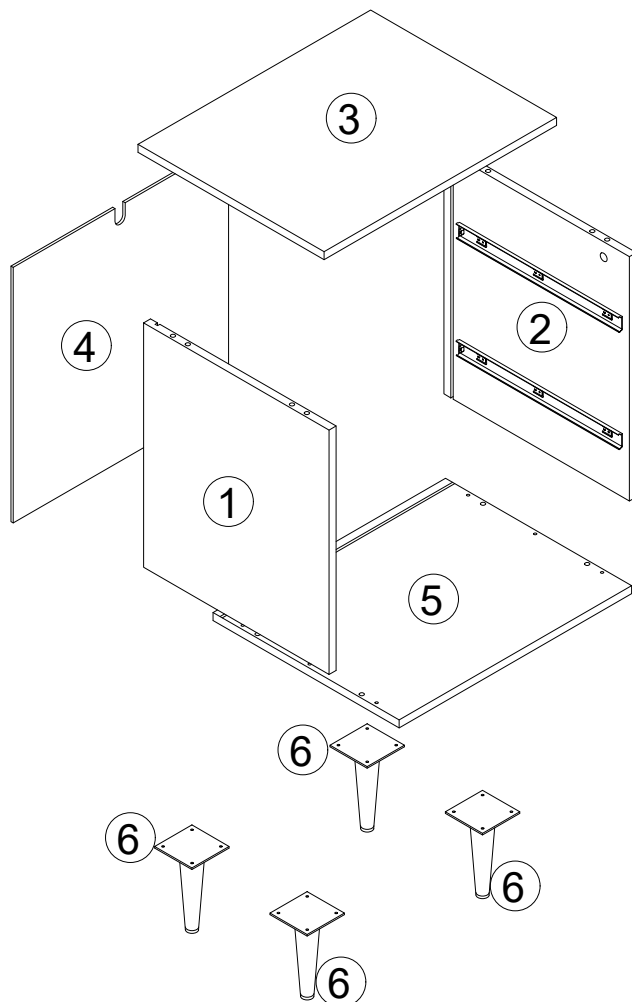
### CARE AND MAINTENANCE:

1. Only clean using a damp cloth, do not use bleach or abrasive cleaners as they may damage the finish over time.
2. Do not use a very wet cloth or allow any liquid to contact with the veneer for a long period of time. Wipe any spillage immediately. Absorption can cause wood to warp or finishes to de-laminate.
3. Do not scrub or rub the surface when cleaning.
4. Do not drag the Evie Bedside when moving, lift it off the floor instead.
5. Use a placemat or a coaster when putting hot items (e.g. hot drinks and dishes) on the wood surface.
6. It is not recommended to place the item next to sources of heat such as radiators, fires or directly exposed to sunlight. This may cause the wood to crack, split or fade due to the heat and humidity.
7. Wood will mellow and change colour over time, we recommend that ornaments and items placed on the surface to be moved regularly to prevent uneven mellowing.
8. Regularly check all fixings to ensure none have come loose. Re-tighten if necessary.
9. Avoid sharp items such as a screwdriver or any pointy tools.
10. Dispose of all packaging carefully and responsibly - recycle where possible.

# Parts list

Before you begin building your Evie Bedside, please take a moment to read through the instructions and make sure that you have all the relevant parts listed on the parts check list.

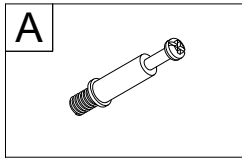
Part Number	Part Description	Quantity
①	Left Side Panel	1pc
②	Right Side Panel	1pc
③	Bedside Top	1pc
④	Back Panel	1pc
⑤	Bottom Panel	1pc
⑥	Leg	4pcs
⑦	Drawer Front	2pcs
⑧	Drawer Left Side	2pcs
⑨	Drawer Right Side	2pcs
⑩	Drawer Back Side	2pcs
⑪	Drawer Bottom	2pcs



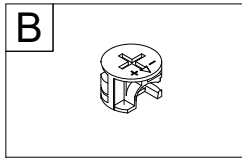
**x 2**

# Fittings

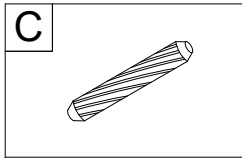
Please check you have all the fittings listed below with your product.



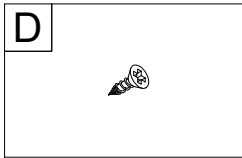
**A**  
M6\*35mm Bolt  
12pcs+1pc extra



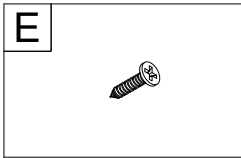
**B**  
Ø15x9.5mm Cam Lock  
12pcs+1pc extra



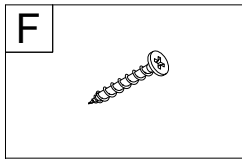
**C**  
Ø8x30mm Dowel  
8pcs+1pc extra



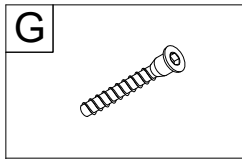
**D**  
M3.5\*12mm Screw  
4pcs



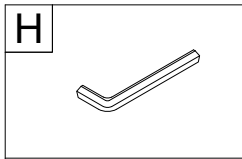
**E**  
M3\*14mm Screw  
4pcs



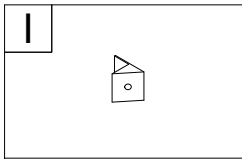
**F**  
M6\*35mm Screw  
9pcs+1pc extra



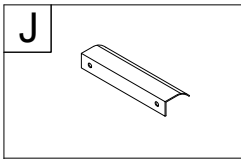
**G**  
M5\*40mm Screw  
6pcs



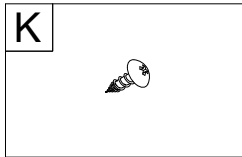
**H**  
4mm Allen Key  
1pc



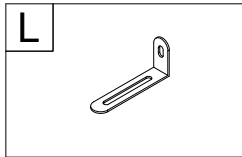
**I**  
15x9mm Plastic Buckle  
4pcs



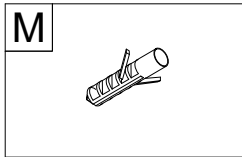
**J**  
Handle  
2pcs



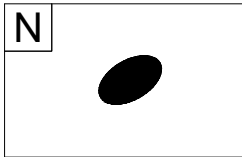
**K**  
M4\*14mm Screw  
17pcs+1pc extra



**L**  
Wall Bracket  
1pc

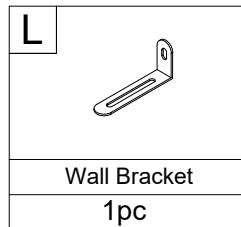
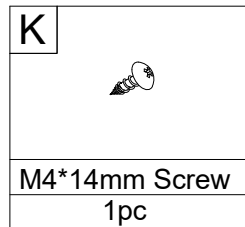
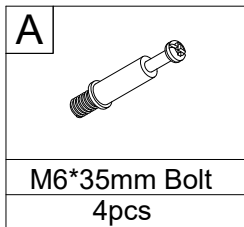
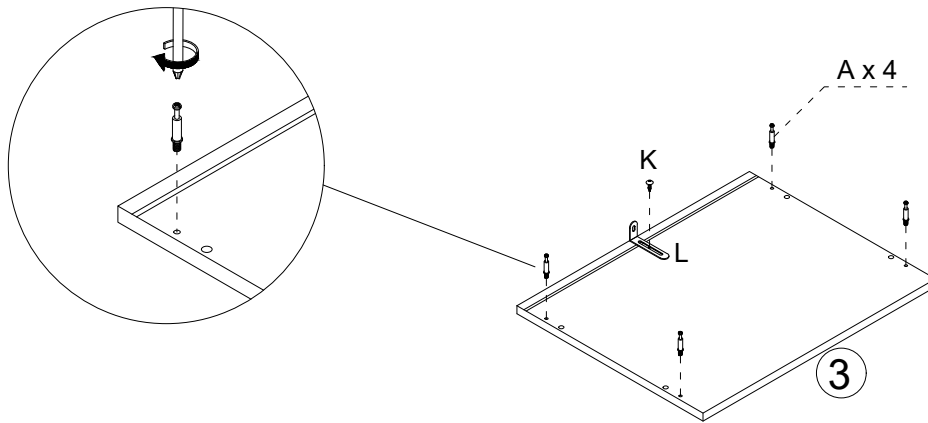


**M**  
Ø6x30mm Wall Plug  
1pc

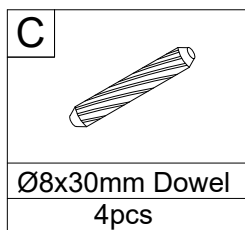
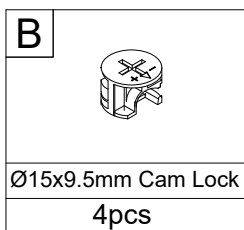
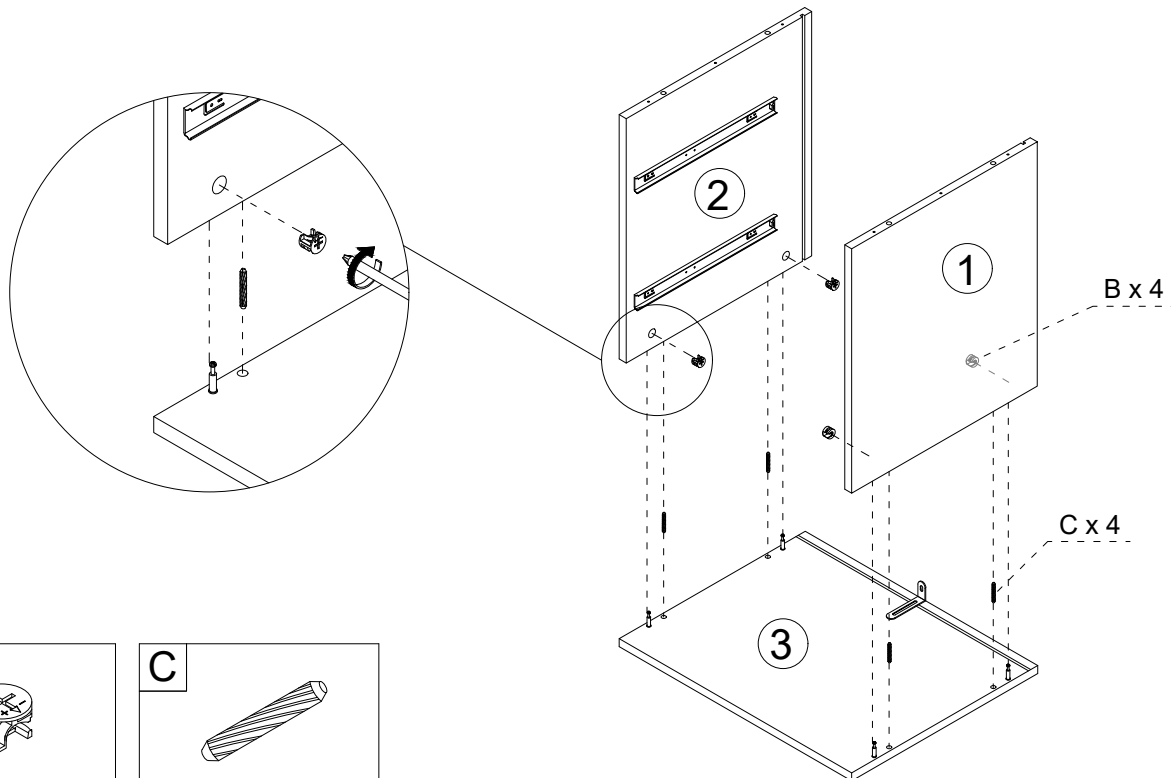


**N**  
Cover  
8pcs+1pc extra

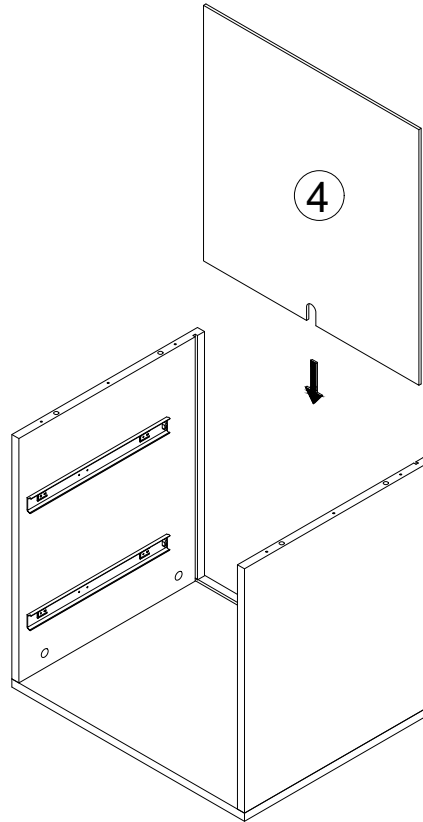
## 1. Attach Parts to the bedside top.



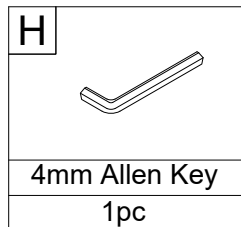
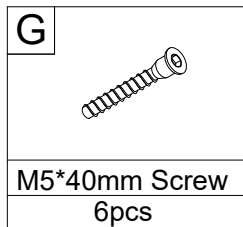
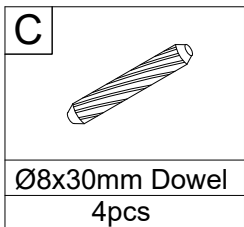
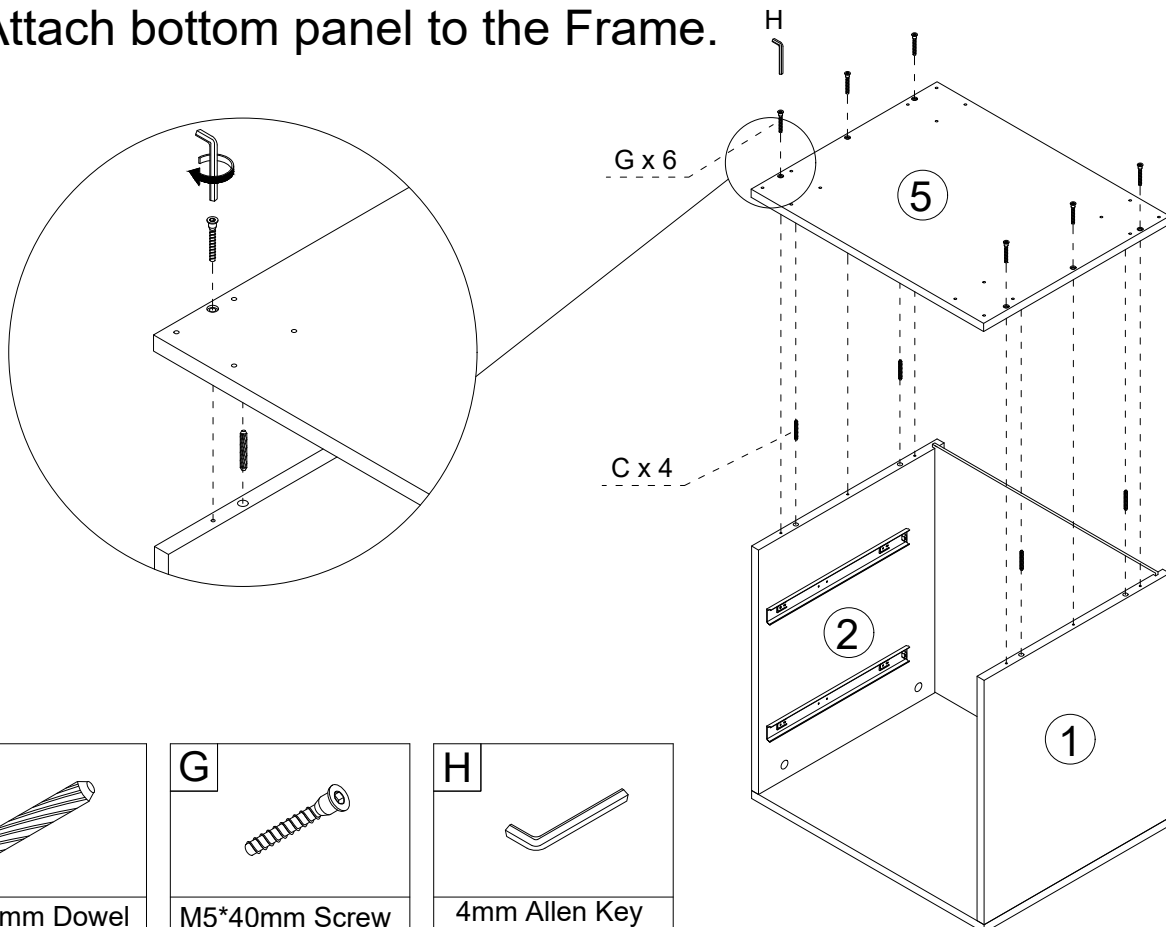
## 2. Attach left and right side panels to the bedside top.



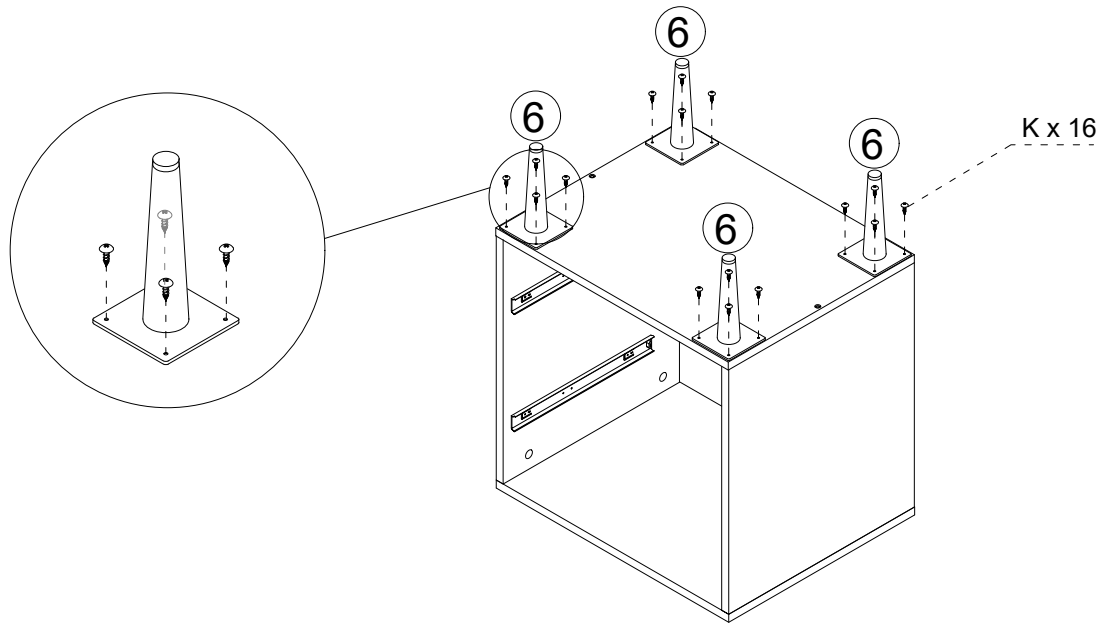
### 3. Assemble the back panel.




### 4. Attach bottom panel to the Frame.

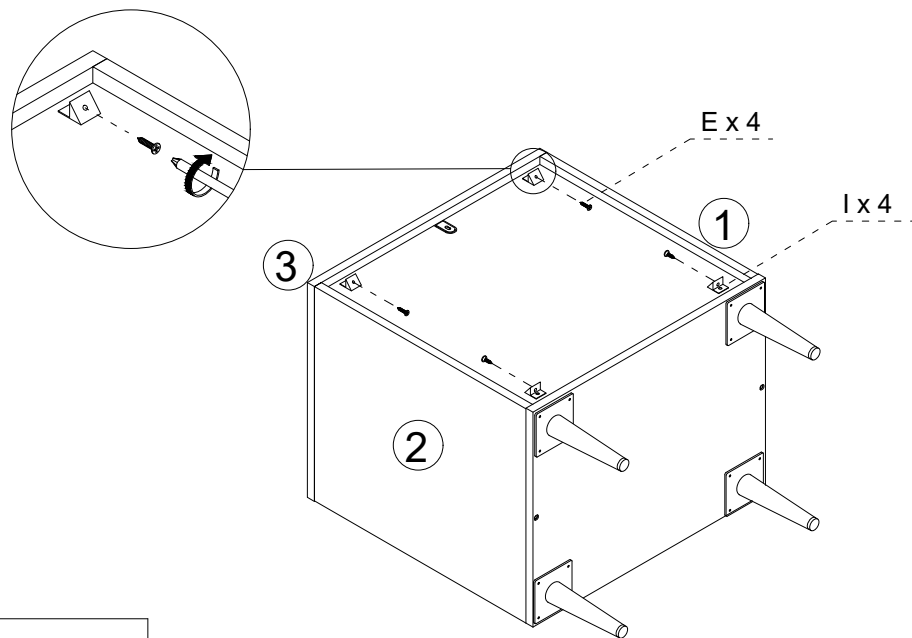



## 5. Attach legs to the Frame.




<b>K</b>	
M4*14mm Screw	
16pcs	

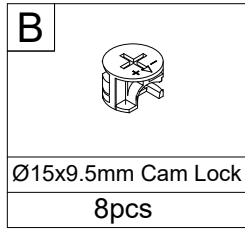
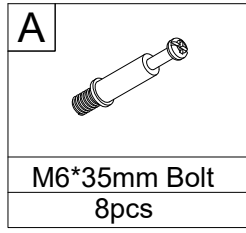
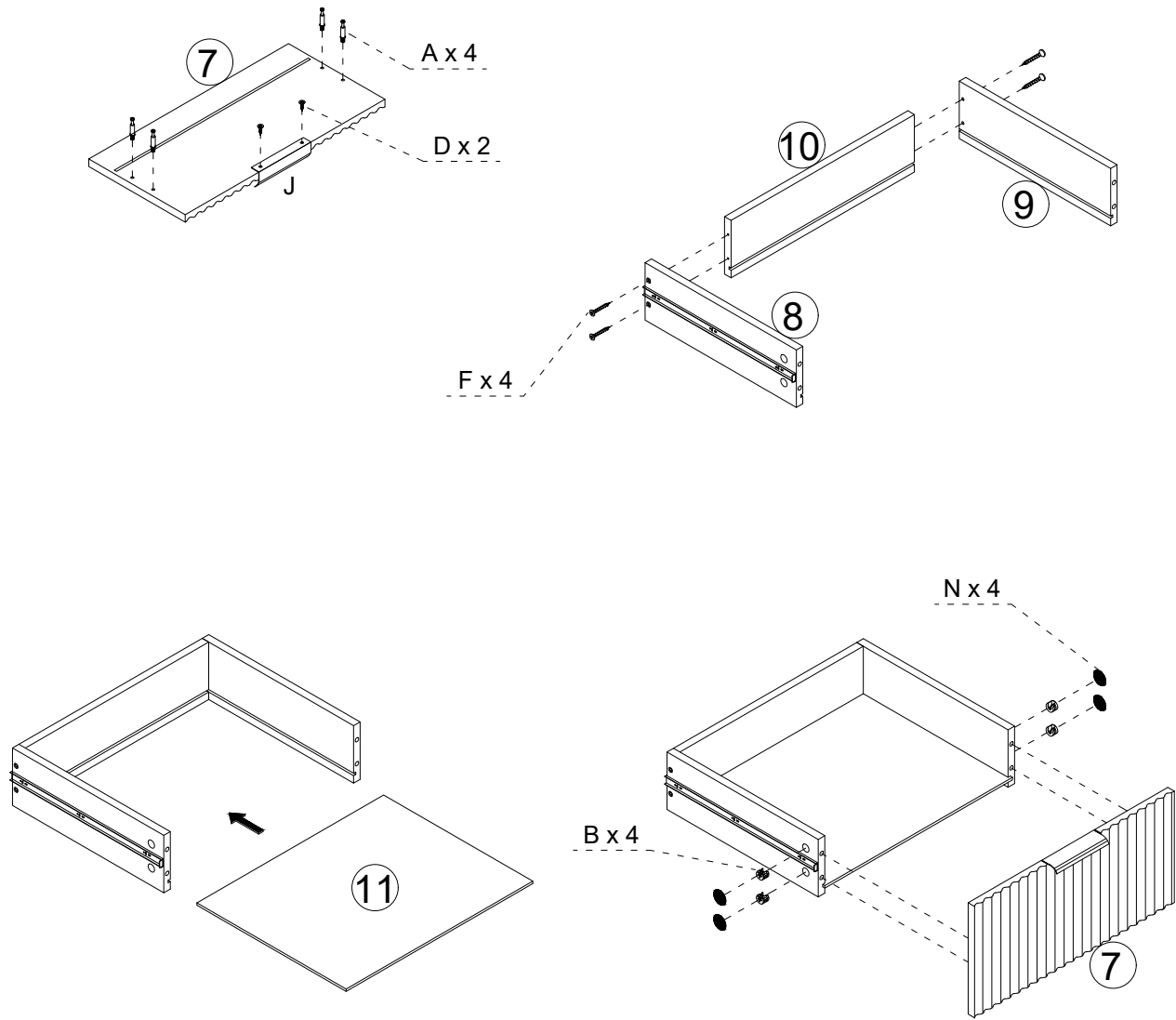
## 6. Attach the plastic Buckles.



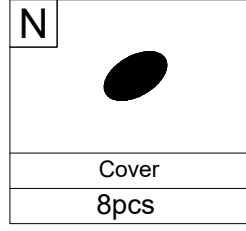
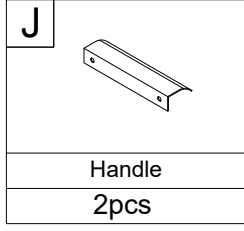
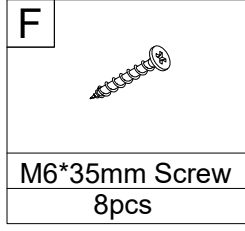
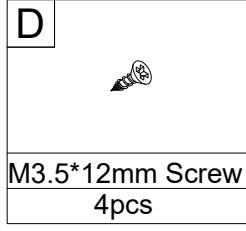
<b>E</b>	
M3*14mm Screw	
4pcs	

<b>I</b>	
15x9mm Plastic Buckle	
4pcs	

# 7.Assemble the Drawers.

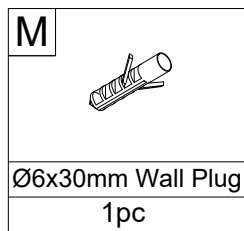
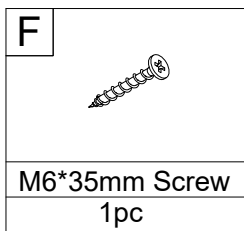
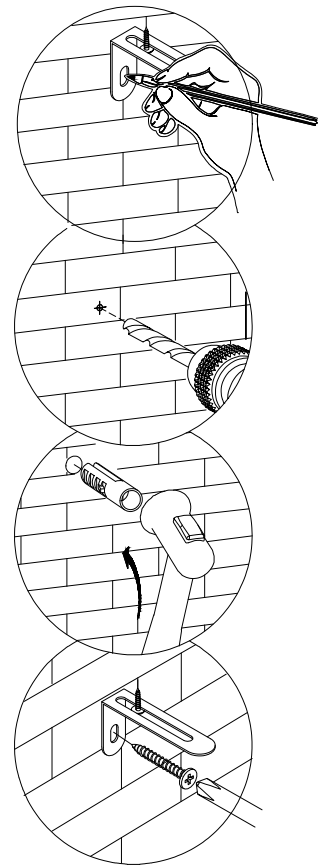
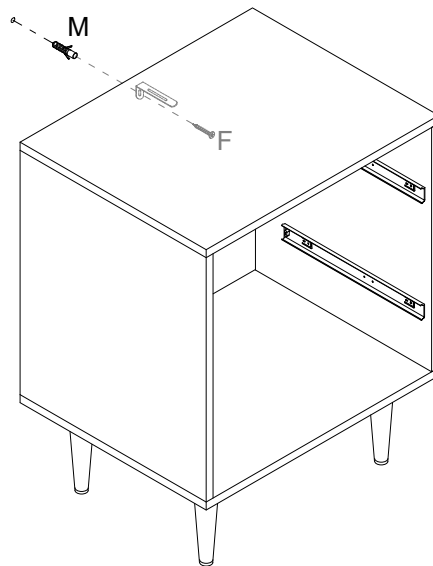


x 2





## 8. Fix the L-shaped Bracket to the wall.



## 9. Assemble the drawers in the Bedside.

