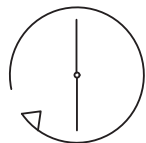
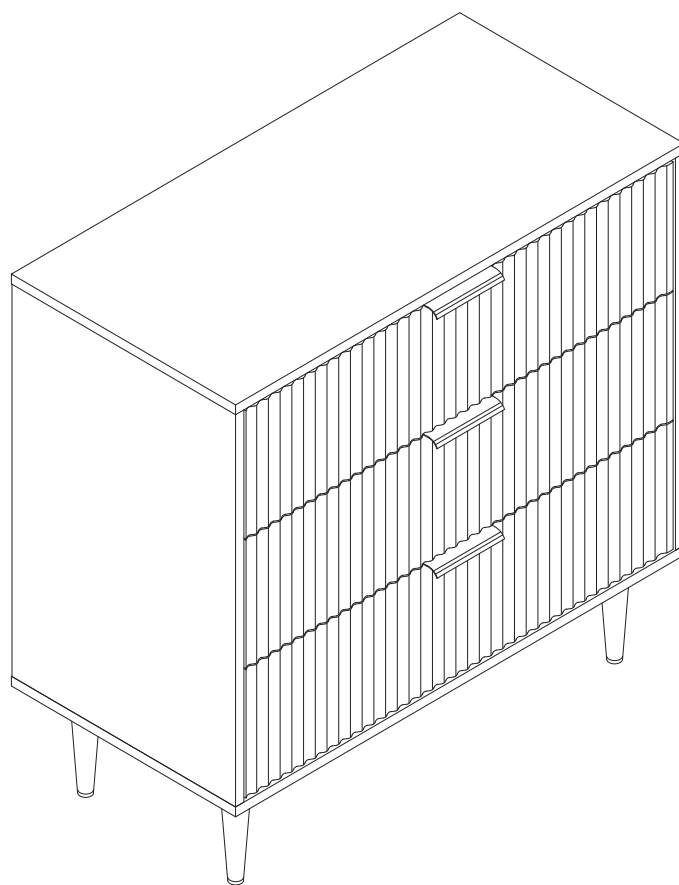


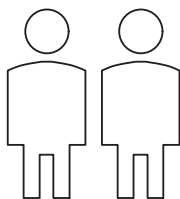
DUSK.COM
LIVING | BEDROOM | DINING

Range Name : EVIE
Box 1 Dimensions : W105xD47.5xH21cm
Product Dimension : W80xD40xH78cm

Evie Small Chest



Up to 30 minutes
assembly time



Two person
assembly

This product is intended for domestic use only, not for commercial purposes.

P-1-14
V-2.0

IMPORTANT

ASSEMBLY TIP

Before you begin, it's best to identify all of the parts and fittings to build your Evie Small chest frame. We advise laying these out on the floor to check you have everything, and to familiarise yourself with all of the parts and fittings before building.

TOP TIP

We recommend that you assemble the Evie Small chest in the room you'd like it to be located. This will help prevent any risk of damage to the frame whilst moving it.

SAFETY AND CARE

It's important to ensure children and animals are kept away from the assembly area, as there are small components used in this product which could present a choking hazard. All plastic and wrapping materials should also be kept away from children and animals to prevent any risk of suffocation.

HELP AND SUPPORT

Please contact our customer service team on 0113 519 0311 if you have any questions or issues with your purchase.

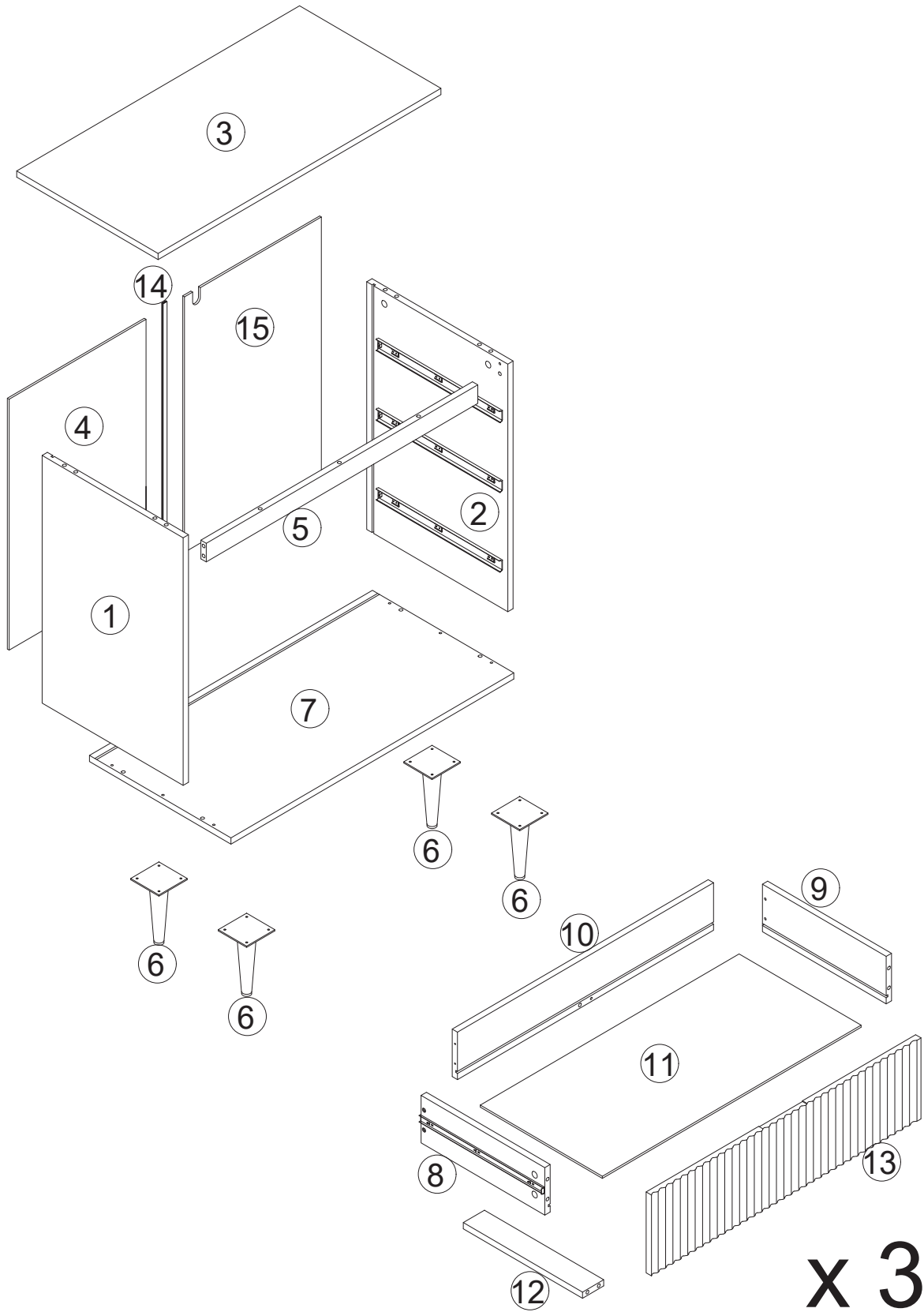
RECYCLING

Please ensure that packaging is disposed of in a safe and environmentally friendly way, and recycle where possible. Please keep your assembly instructions safe to refer back to in the future.

CARE AND MAINTENANCE:

1. Only clean using a damp cloth, do not use bleach or abrasive cleaners as they may damage the finish over time.
2. Do not use a very wet cloth or allow any liquid to contact with the veneer for a long period of time. Wipe any spillage immediately. Absorption can cause wood to warp or finishes to de-laminate.
3. Do not scrub or rub the surface when cleaning.
4. Do not drag the Evie Small chest when moving, lift it off the floor instead.
5. Use a placemat or a coaster when putting hot items (e.g. hot drinks and dishes) on the wood surface.
6. It is not recommended to place the item next to sources of heat such as radiators, fires or directly exposed to sunlight. This may cause the wood to crack, split or fade due to the heat and humidity.
7. Wood will mellow and change colour over time, we recommend that ornaments and items placed on the surface to be moved regularly to prevent uneven mellowing.
8. Regularly check all fixings to ensure none have come loose. Re-tighten if necessary.
9. Avoid sharp items such as a screwdriver or any pointy tools.
10. Dispose of all packaging carefully and responsibly - recycle where possible.

Parts list



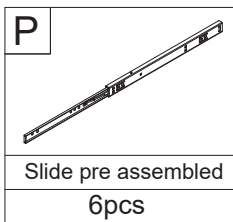
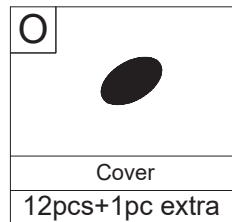
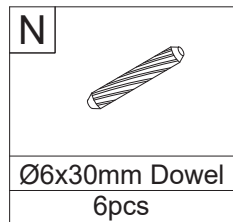
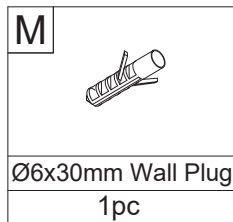
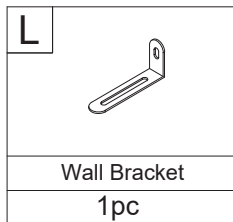
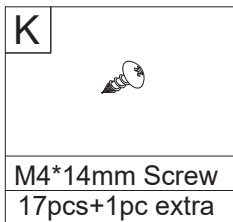
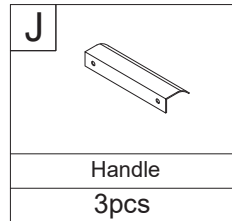
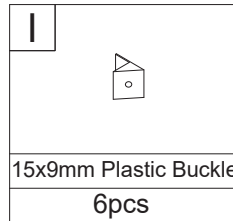
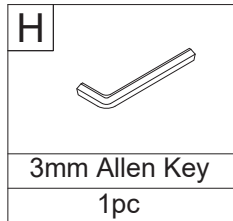
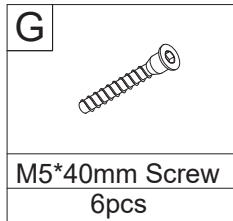
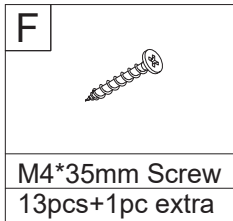
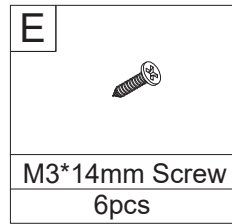
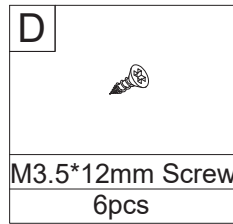
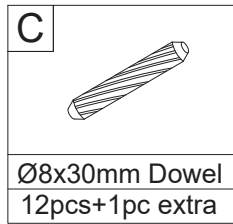
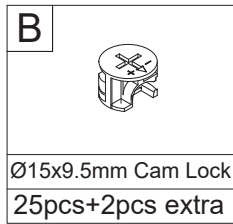
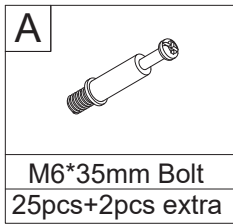
Parts list

Before you begin building your Willow Bedside, please take a moment to read through the instructions and make sure that you have all the relevant parts listed on the parts check list.

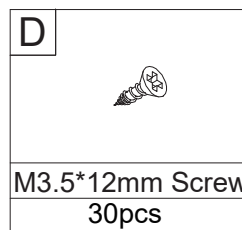
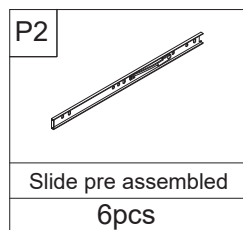
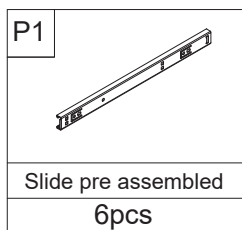
Part Number	Part Description	Quantity	Box No
①	Left Side Panel With Slide	1pc	Box 1
②	Right Side Panel With Slide	1pc	Box 1
③	Top	1pc	Box 1
④	Back Panel	1pc	Box 1
⑤	Centre Support	1pc	Box 1
⑥	Leg	4pcs	Box 1
⑦	Bottom Panel	1pc	Box 1
⑧	Drawer Left Side With Slide	3pcs	Box 1
⑨	Drawer Right Side With Slide	3pcs	Box 1
⑩	Drawer Back Side	3pcs	Box 1
⑪	Drawer Bottom	3pcs	Box 1
⑫	Drawer Support	3pcs	Box 1
⑬	Drawer Front	3pcs	Box 1
⑭	Back Slat	1pc	Box 1
⑮	Back Panel	1pc	Box 1

Fittings

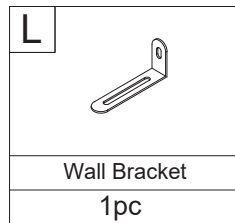
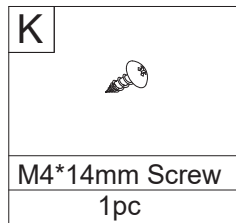
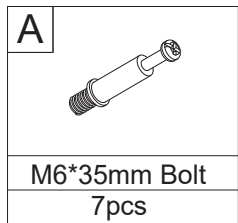
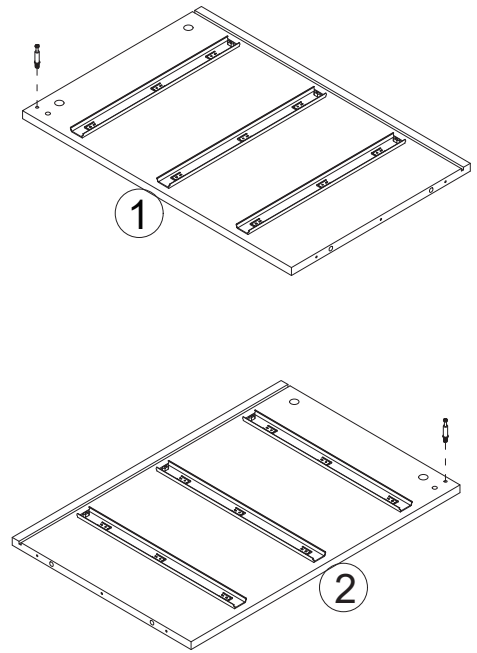
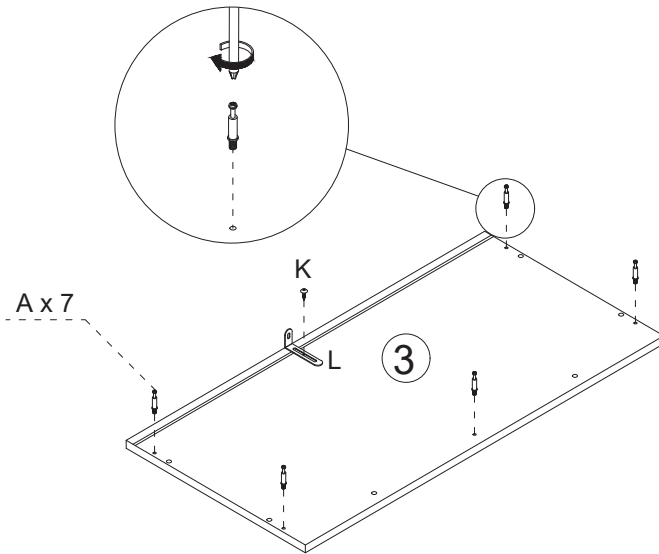
Please check you have all the fittings listed below with your product in box 1.



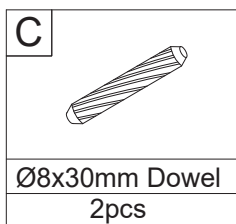
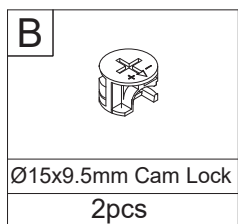
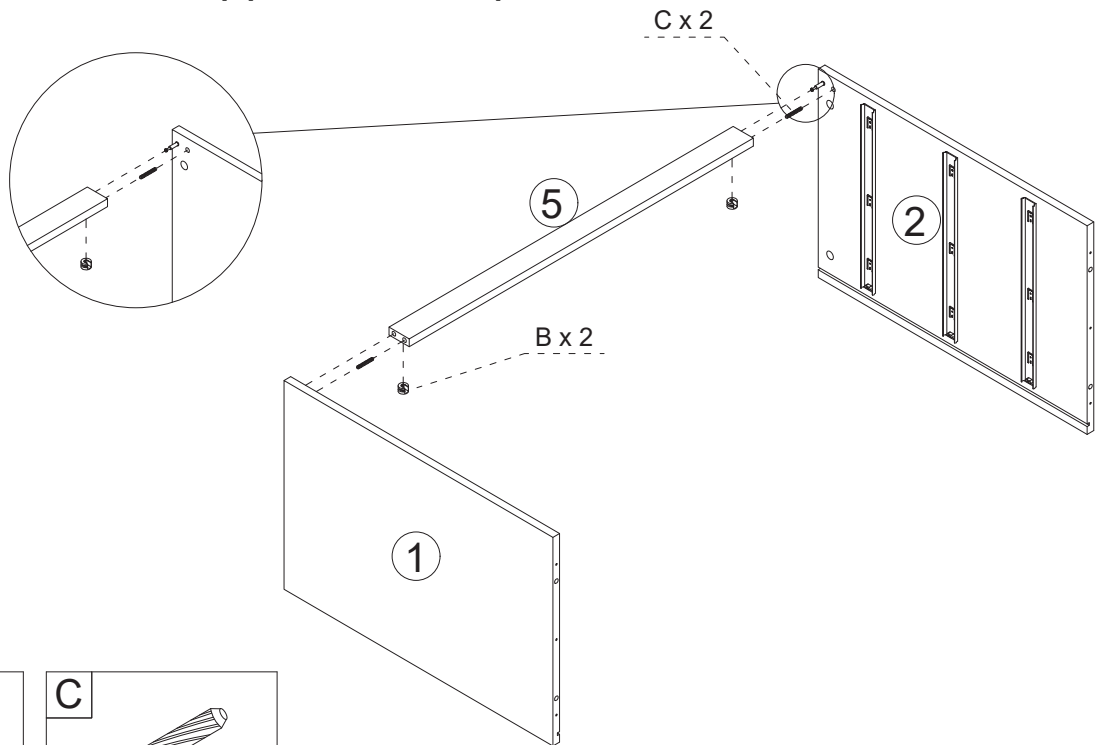
Pre-assembled Fittings.



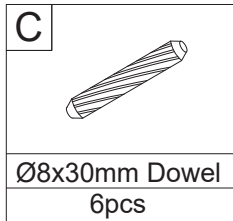
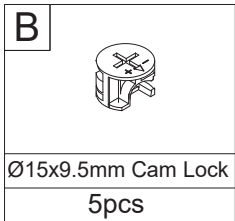
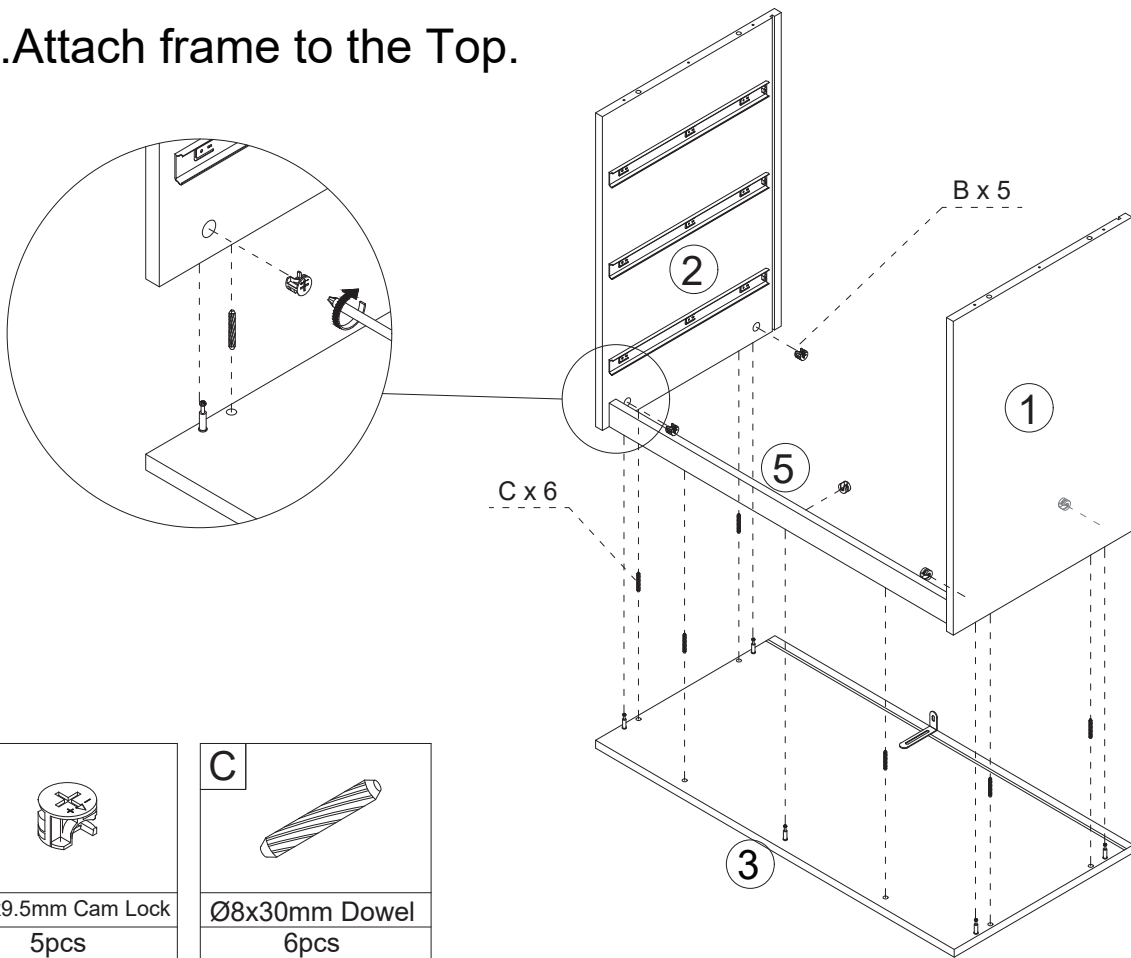
1. Attach parts to the top.



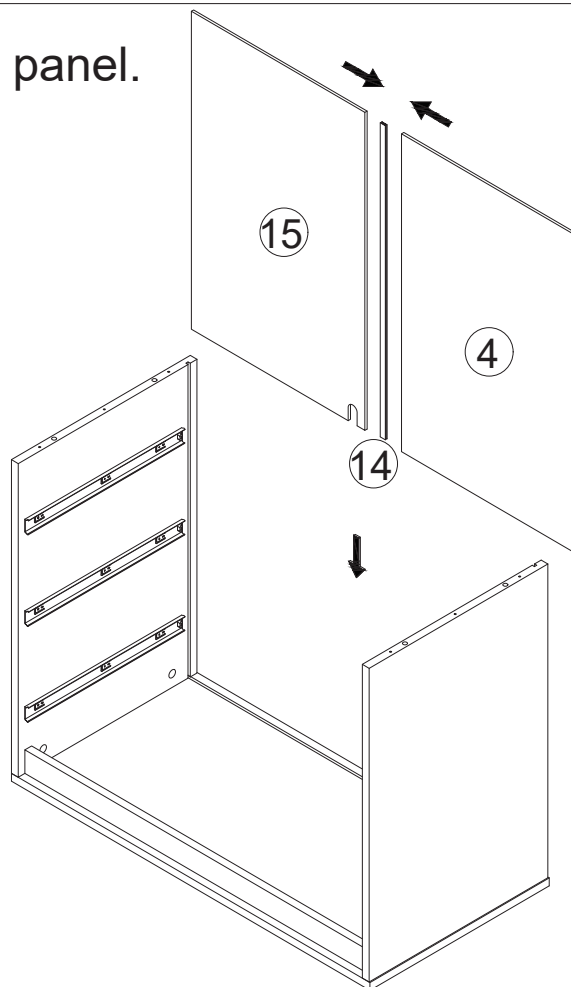
2. Attach Centre Support to side panels.



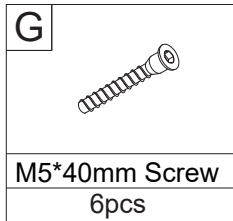
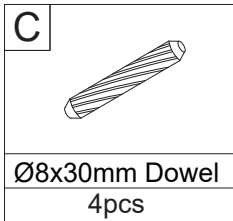
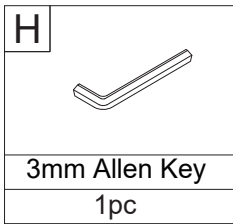
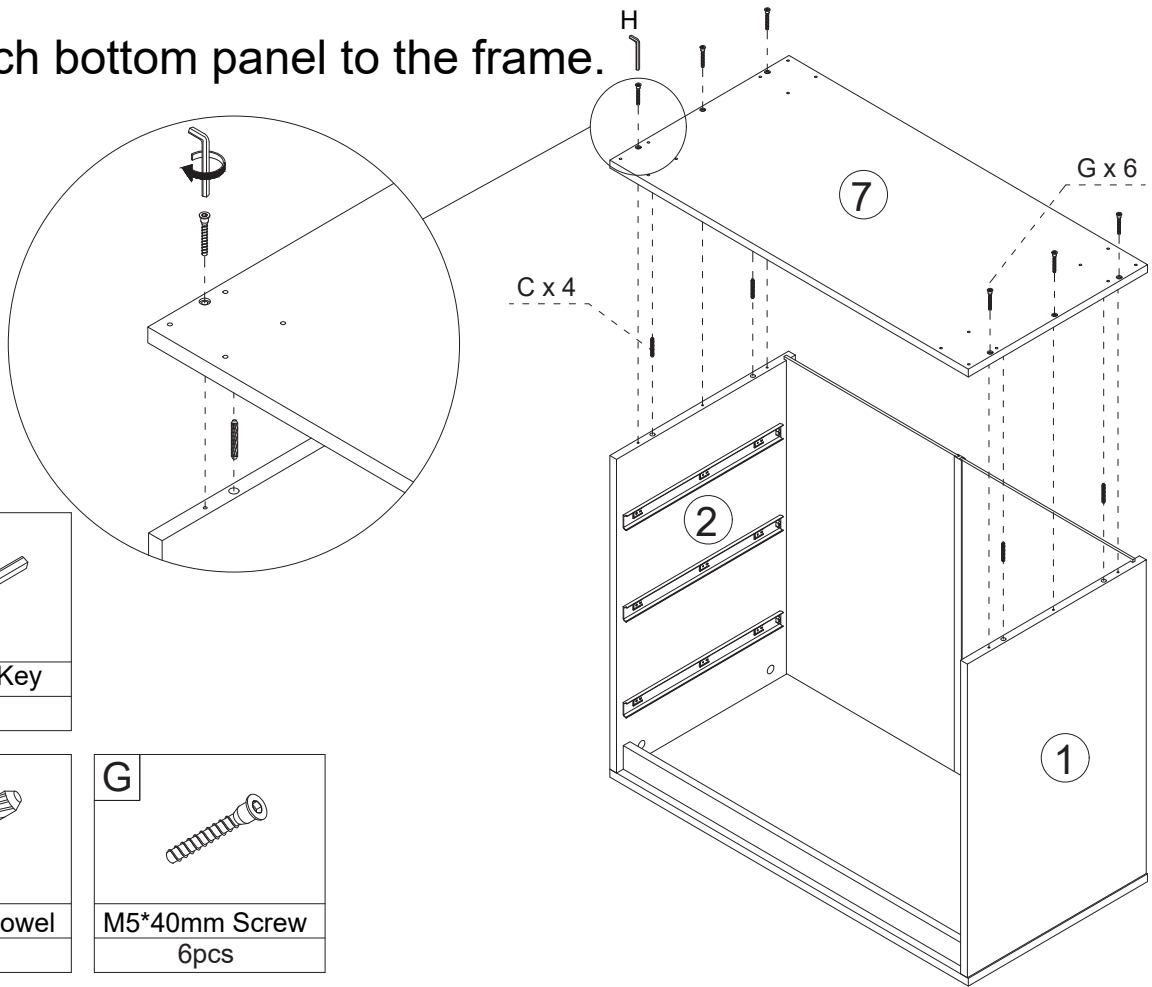
3. Attach frame to the Top.



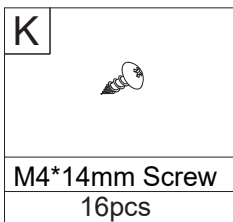
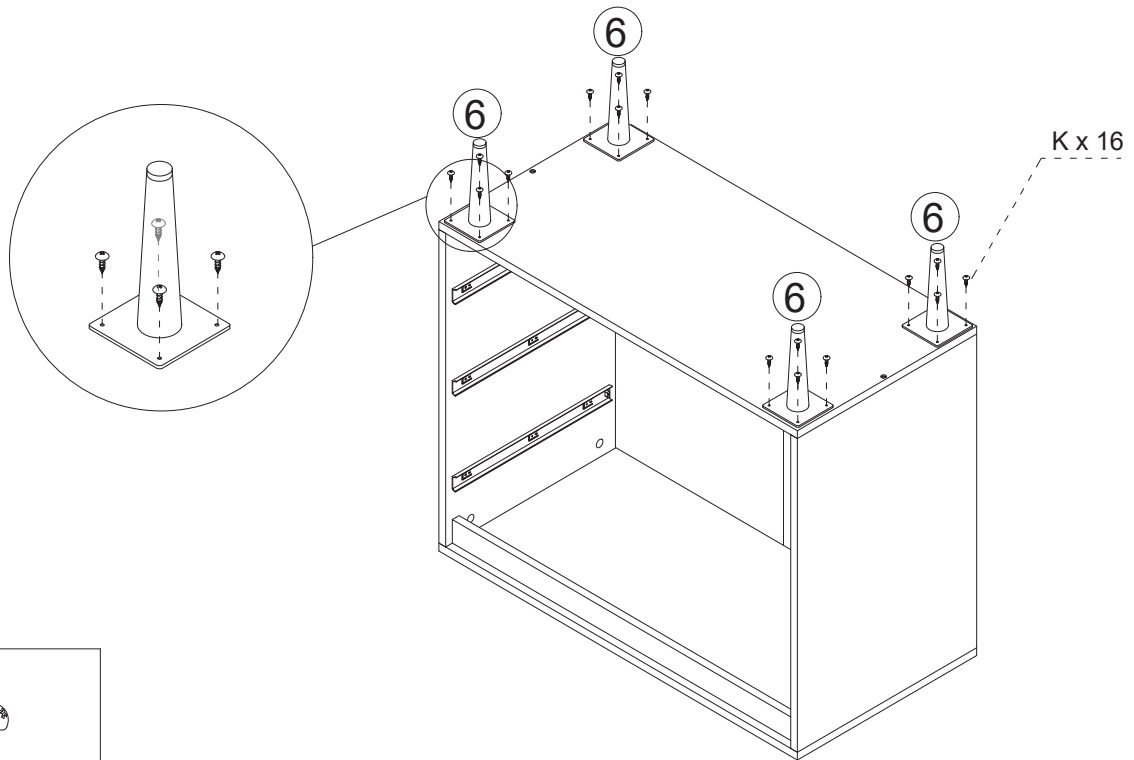
4. Assemble back panel.



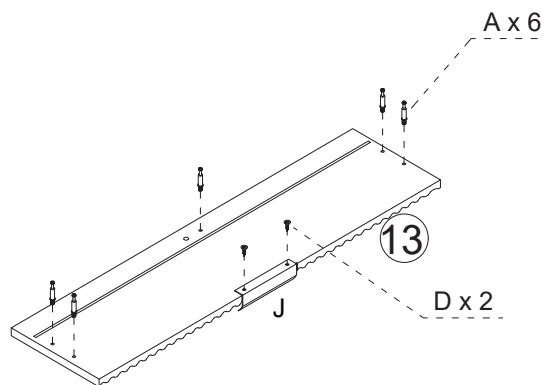
5. Attach bottom panel to the frame.



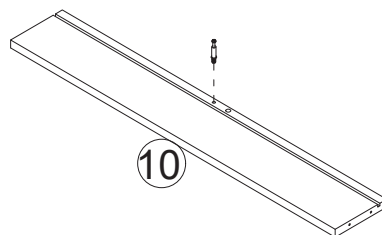
6. Attach legs to frame.



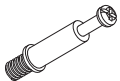

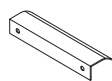
7. Attach handle to the drawer front.



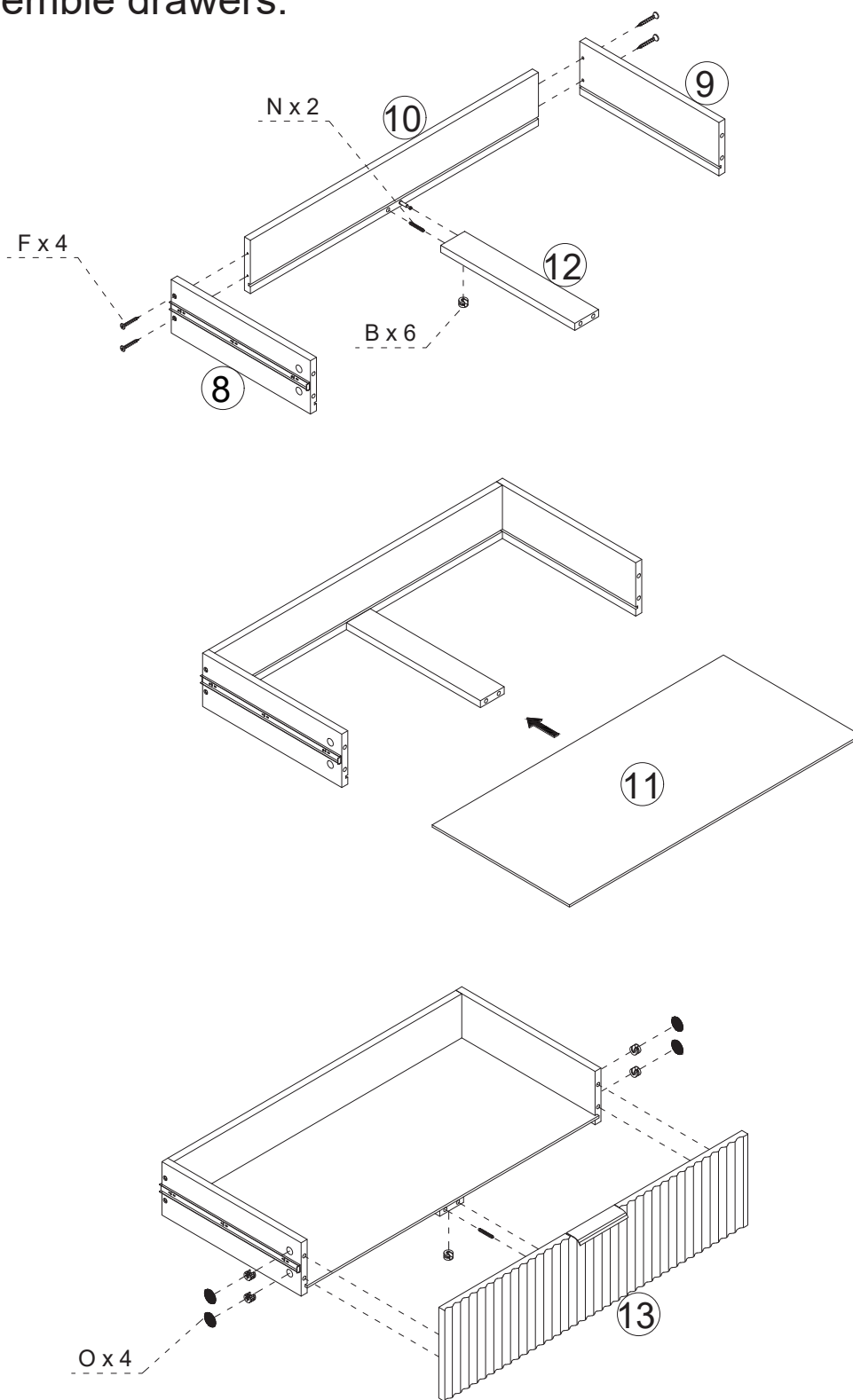
x 3




x 3

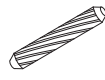
A 	D 	J 
M6*35mm Bolt 18pcs	M3.5*12mm Screw 6pcs	Handle 3pcs


8.Assemble drawers.




x 3

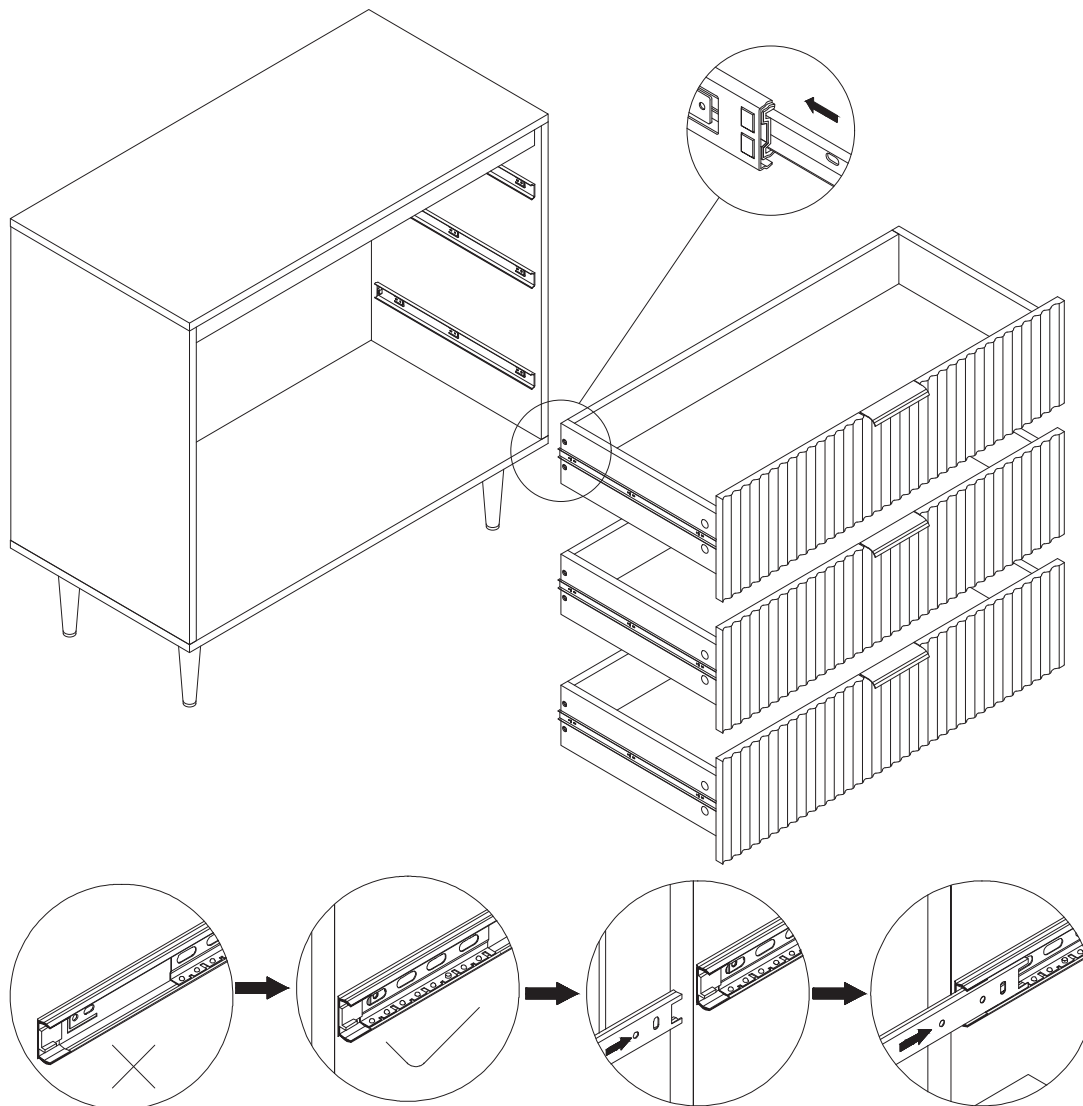
B	
Ø15x9.5mm Cam Lock	
18pcs	

N	
Ø6x30mm Dowel	
6pcs	

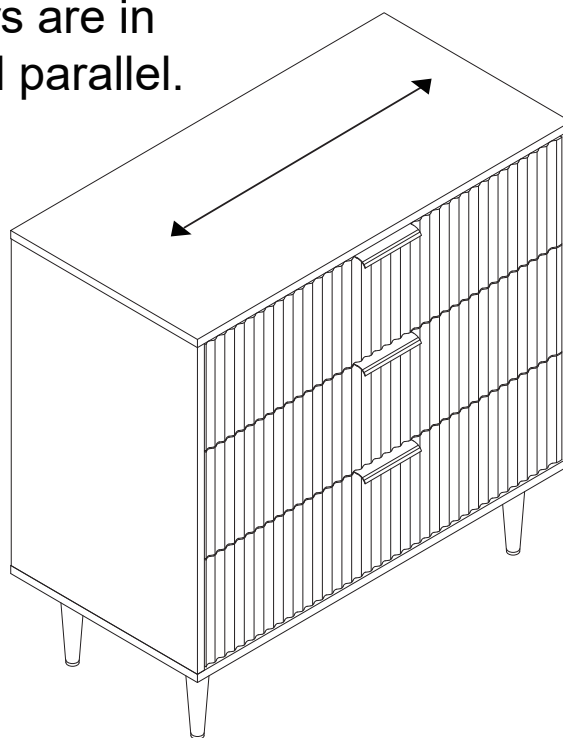
F	
M4*35mm Screw	
12pcs	

O	
Cover	
12pcs	

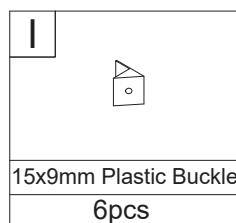
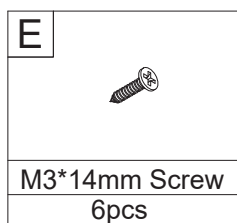
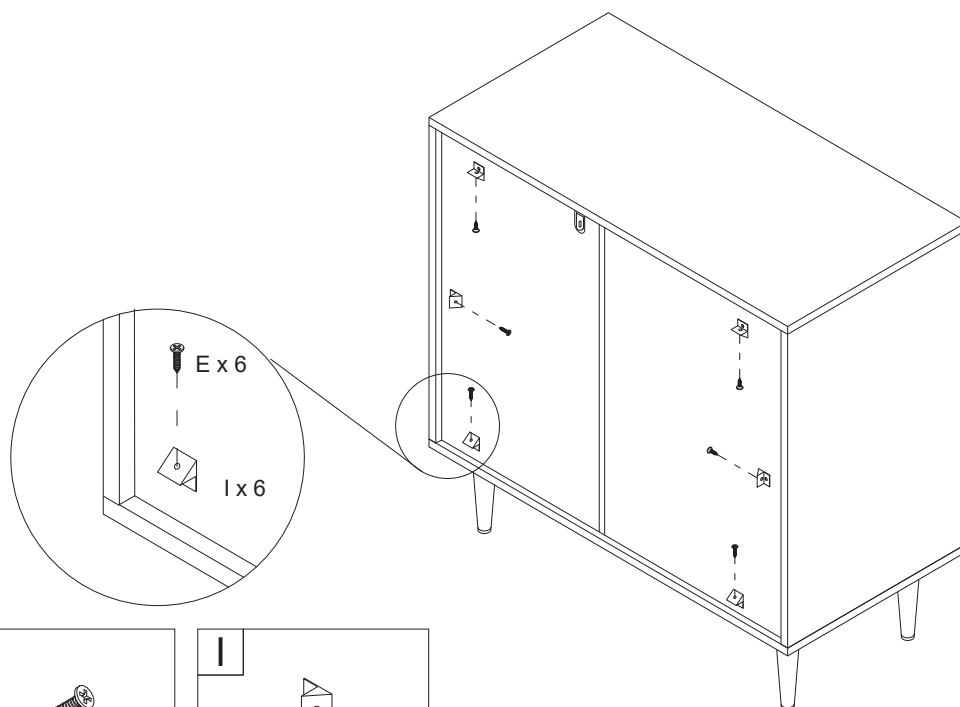
9. Assemble drawers in the chest.



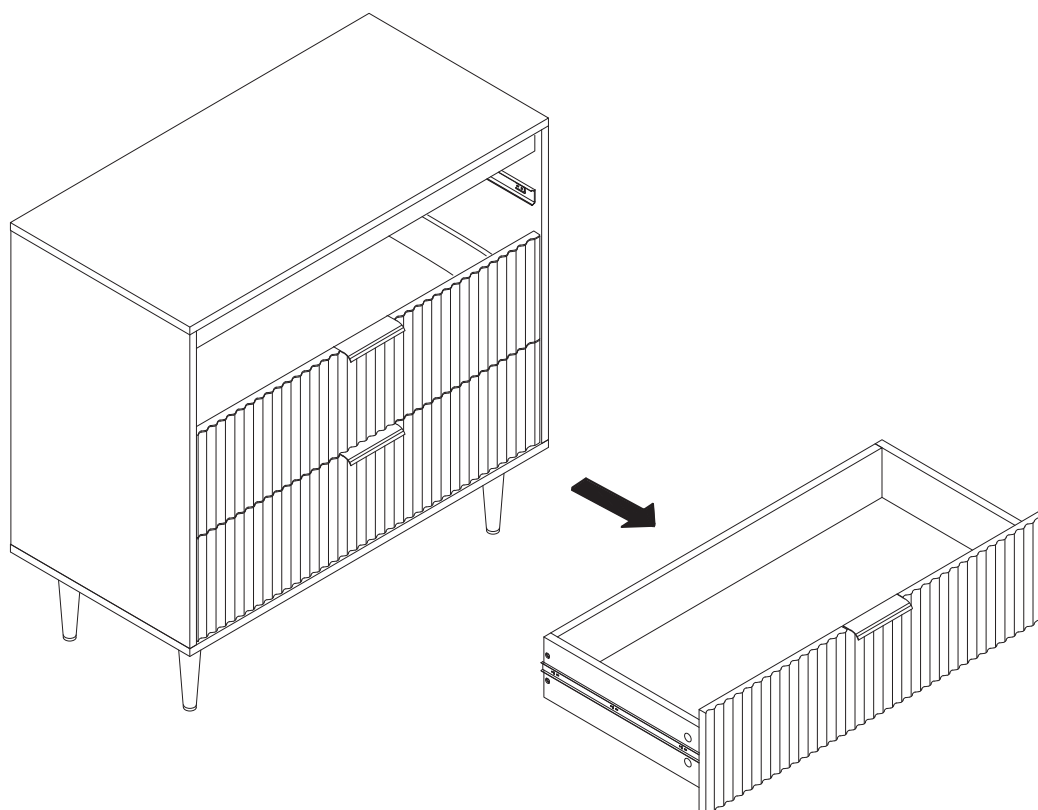
10. Make sure the drawers are in correct position, even and parallel.



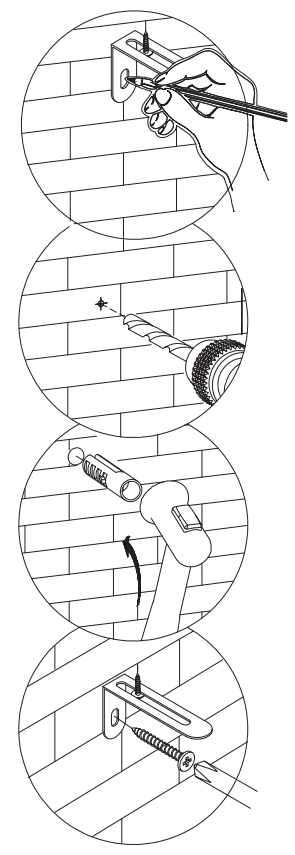
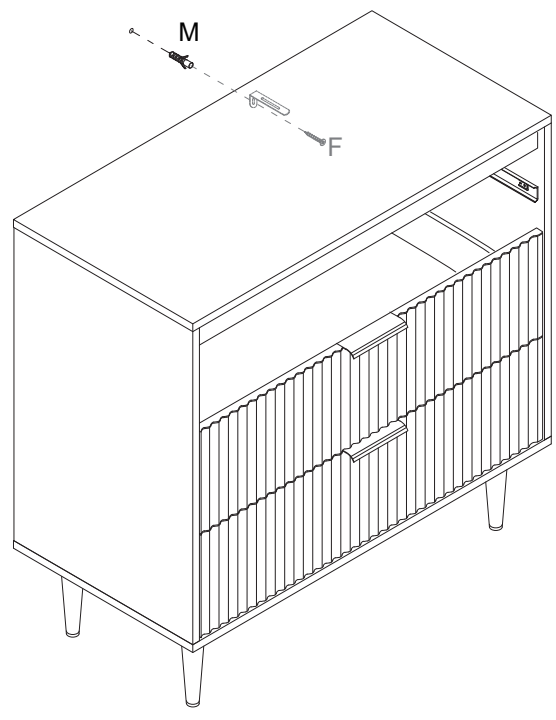
11. Attach the plastic buckles.





12. Take out the drawer.



13. Fix the L-shaped Bracket to the wall.



F	
M4*35mm Screw	
1pc	

M	
Ø6x30mm Wall Plug	
1pc	

14.Assemble drawers in the chest.

