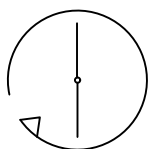
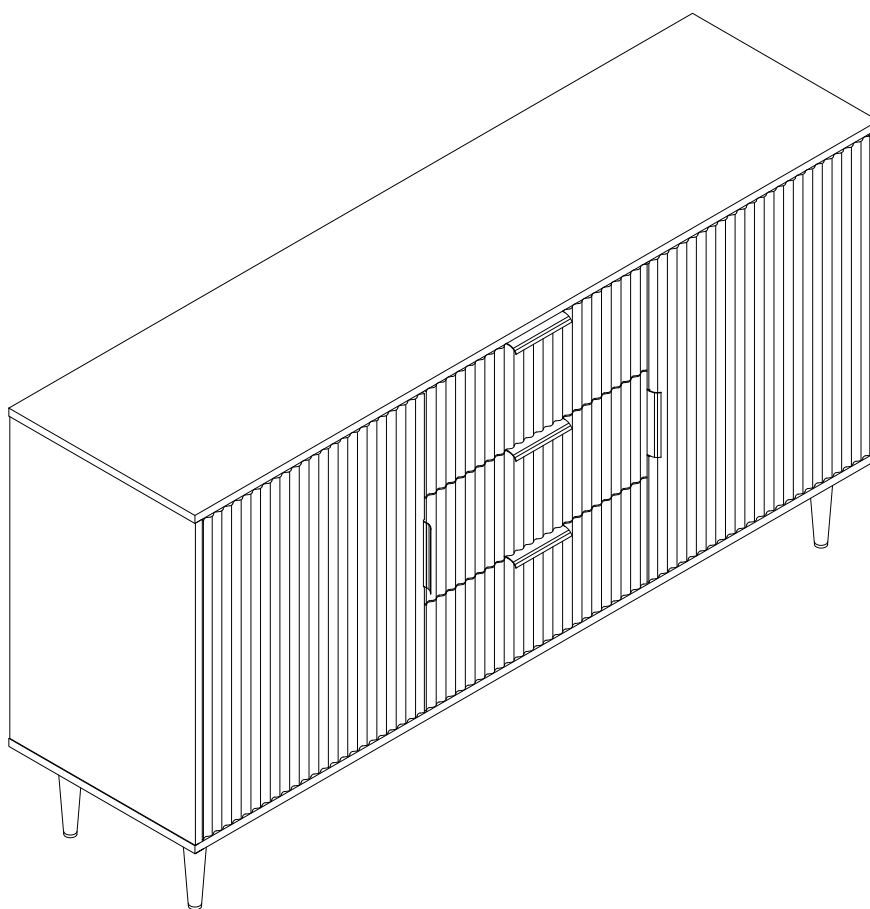


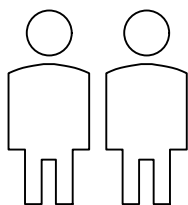
**DUSK.COM**  
LIVING | BEDROOM | DINING

Range Name : EVIE  
Box 1 Dimensions : W161xD58xH19cm  
Product Dimension : W147xD40xH78cm

## Evie Sideboard



Up to 30 minutes  
assembly time



Two person  
assembly

This product is intended for domestic use only, not for commercial purposes.

P-1-17  
V-2.0

## IMPORTANT

### ASSEMBLY TIP

Before you begin, it's best to identify all of the parts and fittings to build your Evie Sideboard frame. We advise laying these out on the floor to check you have everything, and to familiarise yourself with all of the parts and fittings before building.

### TOP TIP

We recommend that you assemble the Evie Sideboard in the room you'd like it to be located. This will help prevent any risk of damage to the frame whilst moving it.

### SAFETY AND CARE

It's important to ensure children and animals are kept away from the assembly area, as there are small components used in this product which could present a choking hazard. All plastic and wrapping materials should also be kept away from children and animals to prevent any risk of suffocation.

### HELP AND SUPPORT

Please contact our customer service team on 0113 519 0311 if you have any questions or issues with your purchase.

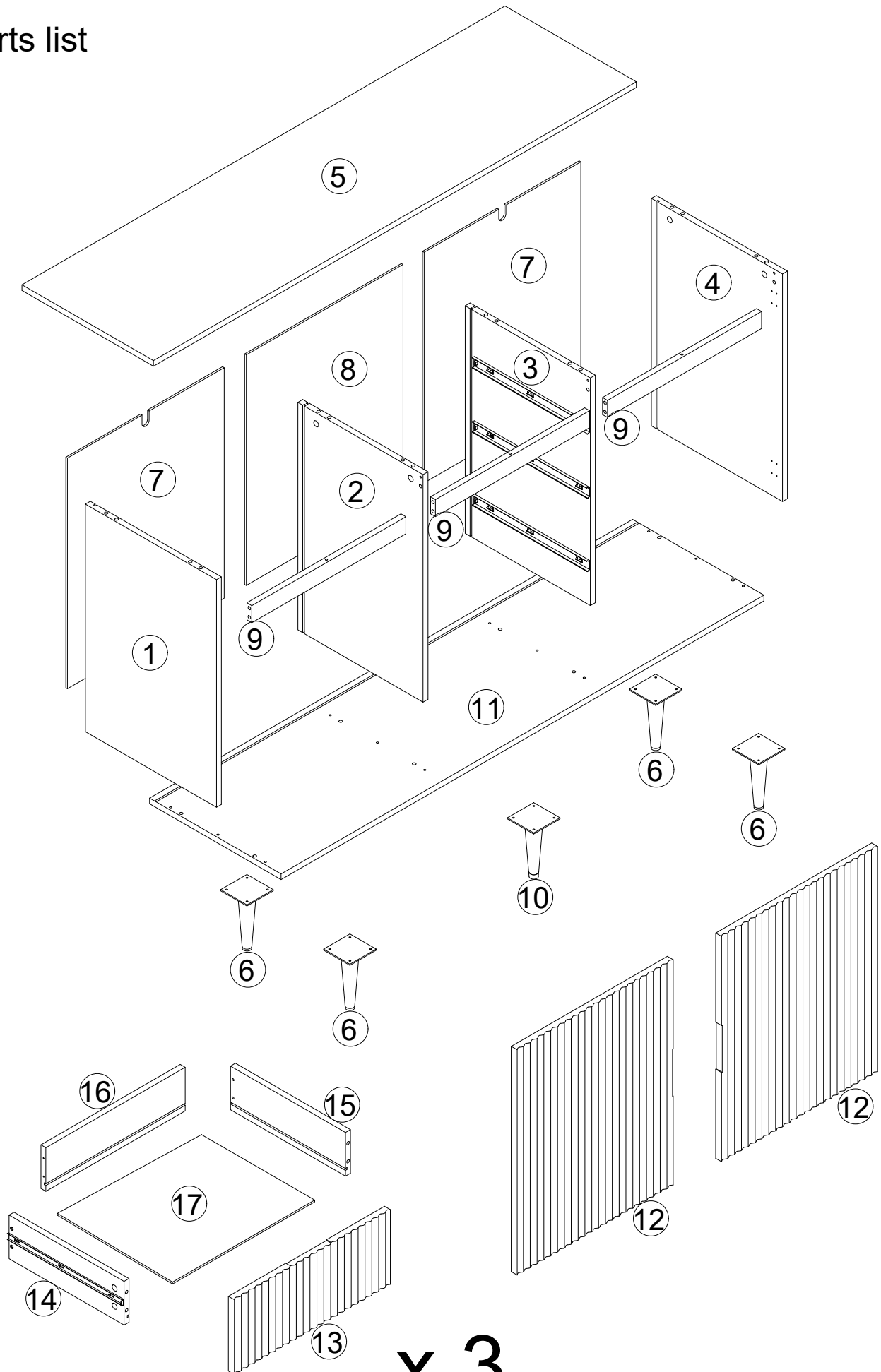
### RECYCLING

Please ensure that packaging is disposed of in a safe and environmentally friendly way, and recycle where possible. Please keep your assembly instructions safe to refer back to in the future.

### CARE AND MAINTENANCE:

1. Only clean using a damp cloth, do not use bleach or abrasive cleaners as they may damage the finish over time.
2. Do not use a very wet cloth or allow any liquid to contact with the veneer for a long period of time. Wipe any spillage immediately. Absorption can cause wood to warp or finishes to de-laminate.
3. Do not scrub or rub the surface when cleaning.
4. Do not drag the Evie Sideboard when moving, lift it off the floor instead.
5. Use a placemat or a coaster when putting hot items (e.g. hot drinks and dishes) on the wood surface.
6. It is not recommended to place the item next to sources of heat such as radiators, fires or directly exposed to sunlight. This may cause the wood to crack, split or fade due to the heat and humidity.
7. Wood will mellow and change colour over time, we recommend that ornaments and items placed on the surface to be moved regularly to prevent uneven mellowing.
8. Regularly check all fixings to ensure none have come loose. Re-tighten if necessary.
9. Avoid sharp items such as a screwdriver or any pointy tools.
10. Dispose of all packaging carefully and responsibly - recycle where possible.

# Parts list



**x 3**

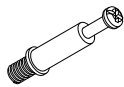








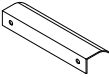




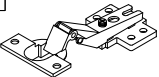


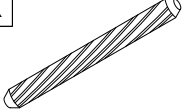

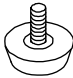
## Parts list

Before you begin building your Evie Sideboard, please take a moment to read through the instructions and make sure that you have all the relevant parts listed on the parts check list.

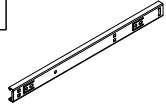
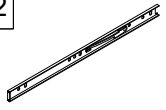

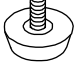
Part Number	Part Description	Quantity	Box No
①	Left Side Panel	1pc	Box 1
②	Left Side Panel With Slide	1pc	Box 1
③	Right Side Panel With Slide	1pc	Box 1
④	Right Side Panel	1pc	Box 1
⑤	Top	1pc	Box 1
⑥	Leg	4pcs	Box 1
⑦	Back Panel	2pcs	Box 1
⑧	Back Panel	1pc	Box 1
⑨	Centre Support	3pcs	Box 1
⑩	Centre Leg	1pc	Box 1
⑪	Bottom Panel	1pc	Box 1
⑫	Door Panel	2pcs	Box 1
⑬	Drawer Front	3pcs	Box 1
⑭	Drawer Left Side With Slide	3pcs	Box 1
⑮	Drawer Right Side With Slide	3pcs	Box 1
⑯	Drawer Back Side	3pcs	Box 1
⑰	Drawer Bottom	3pcs	Box 1

# Fittings

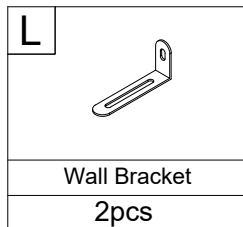
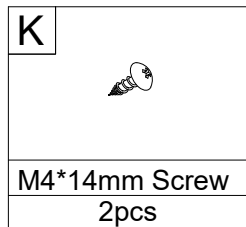
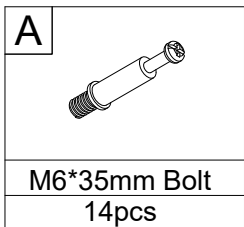
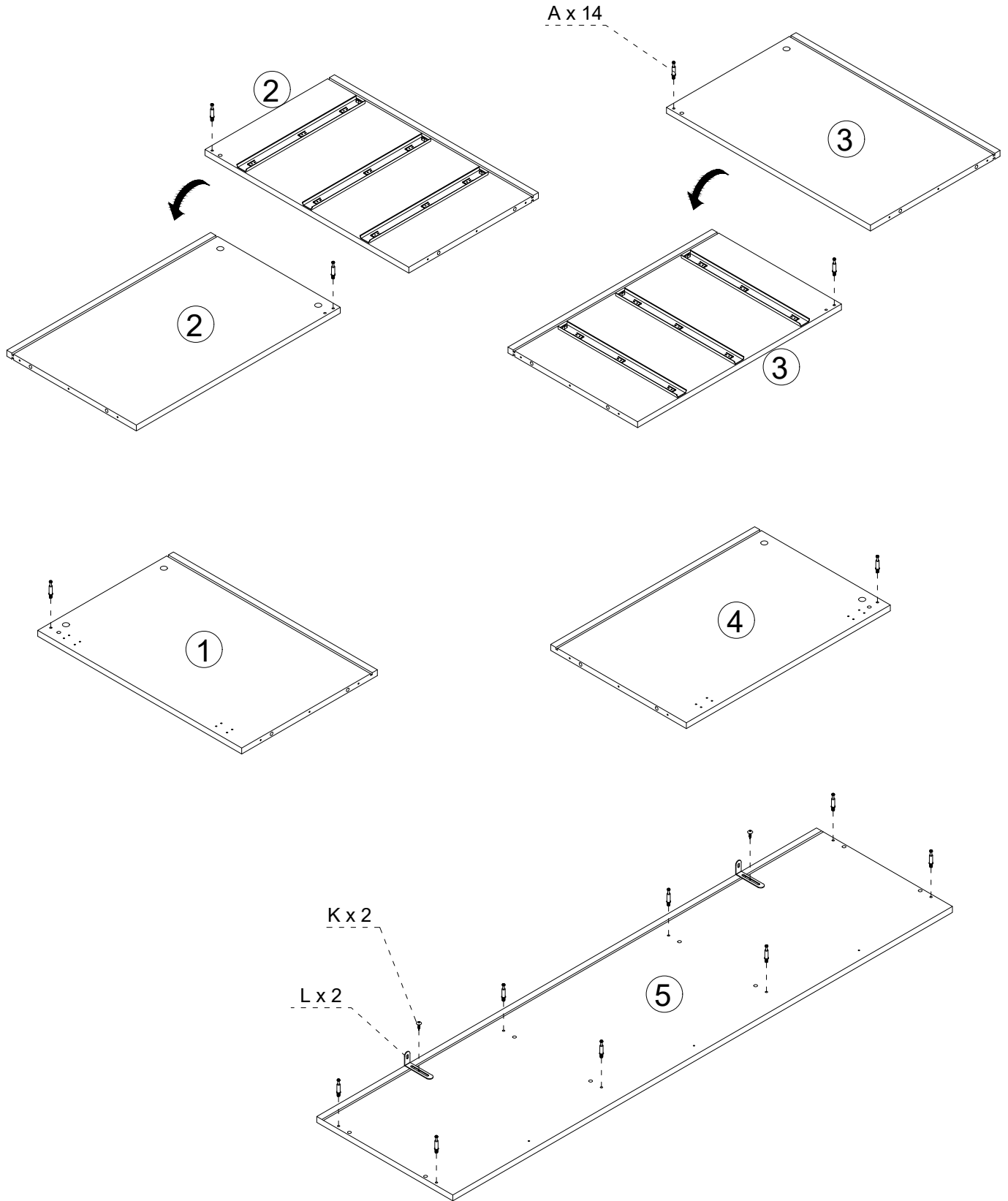
Please check you have all the fittings listed below with your product in box 1.

				
<p>M6*35mm Bolt 26pcs+2pcs extra</p>	<p>Ø15x9.5mm Cam Lock 26pcs+2pcs extra</p>	<p>Ø8x30mm Dowel 18pcs+1pc extra</p>	<p>M3.5*12mm Screw 10pcs+1pc extra</p>	<p>M3*14mm Screw 12pcs+1pc extra</p>
				
<p>M4*35mm Screw 17pcs+1pc extra</p>	<p>M5*40mm Screw 12pcs+1pc extra</p>	<p>3mm Allen Key 1pc</p>	<p>15x9mm Plastic Buckle 12pcs+1pc extra</p>	<p>Handle 5pcs</p>
				
<p>M4*14mm Screw 22pcs+2pcs extra</p>	<p>Wall Bracket 2pcs</p>	<p>M4*14mm Screw 24pcs+2pcs extra</p>	<p>Ø6x30mm Wall Plug 2pcs</p>	<p>Hinge 4pcs</p>
				
<p>Cover 2pcs</p>	<p>Cover 12pcs+1pc extra</p>	<p>Ø8x50mm Dowel 2pcs</p>	<p>Slide pre assembled 6pcs</p>	<p>Adjustable Foot Pre-assembled 1pc</p>

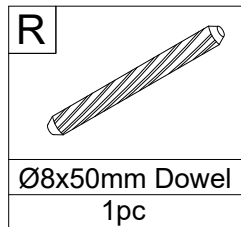
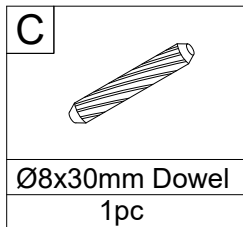
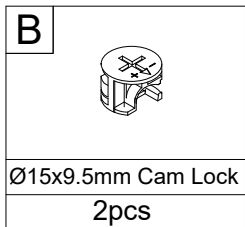
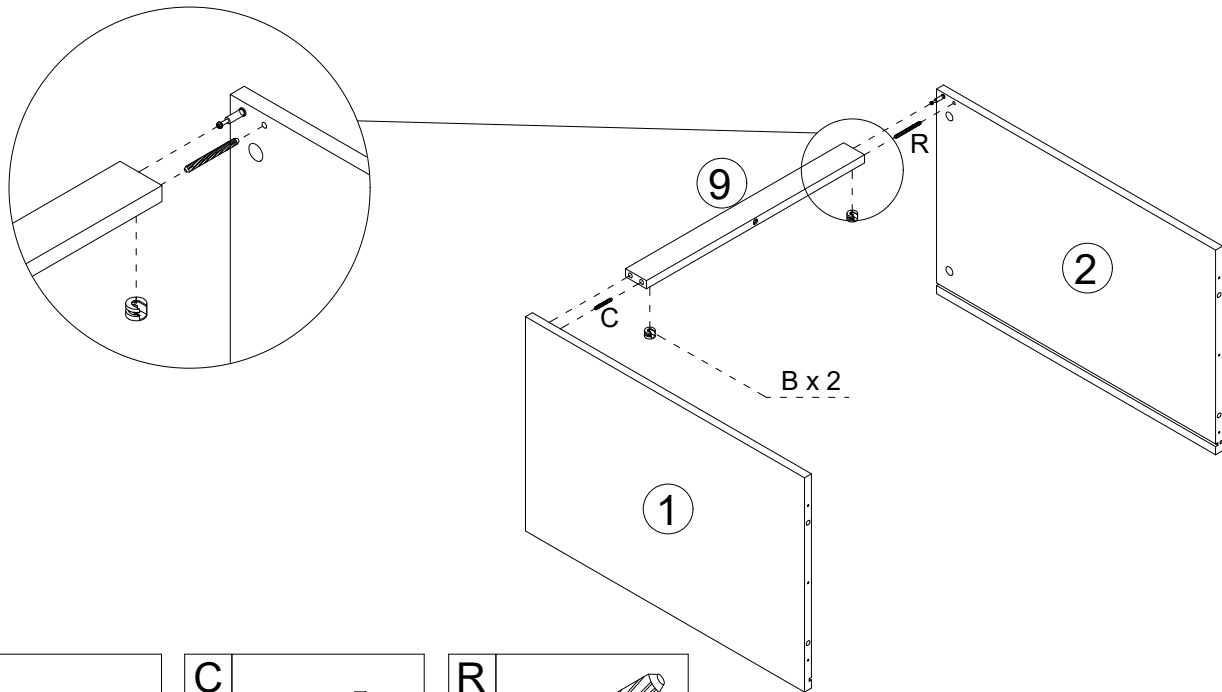
Pre-assembled Fittings.

			
<p>Slide pre assembled 6pcs</p>	<p>Slide pre assembled 6pcs</p>	<p>M3.5*12mm Screw 30pcs</p>	<p>Adjustable Foot Pre-assembled 1pc</p>

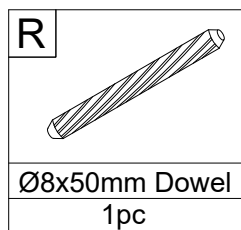
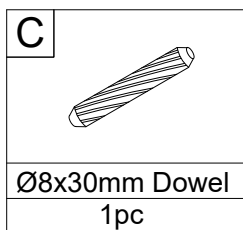
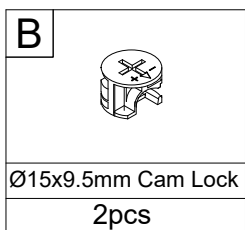
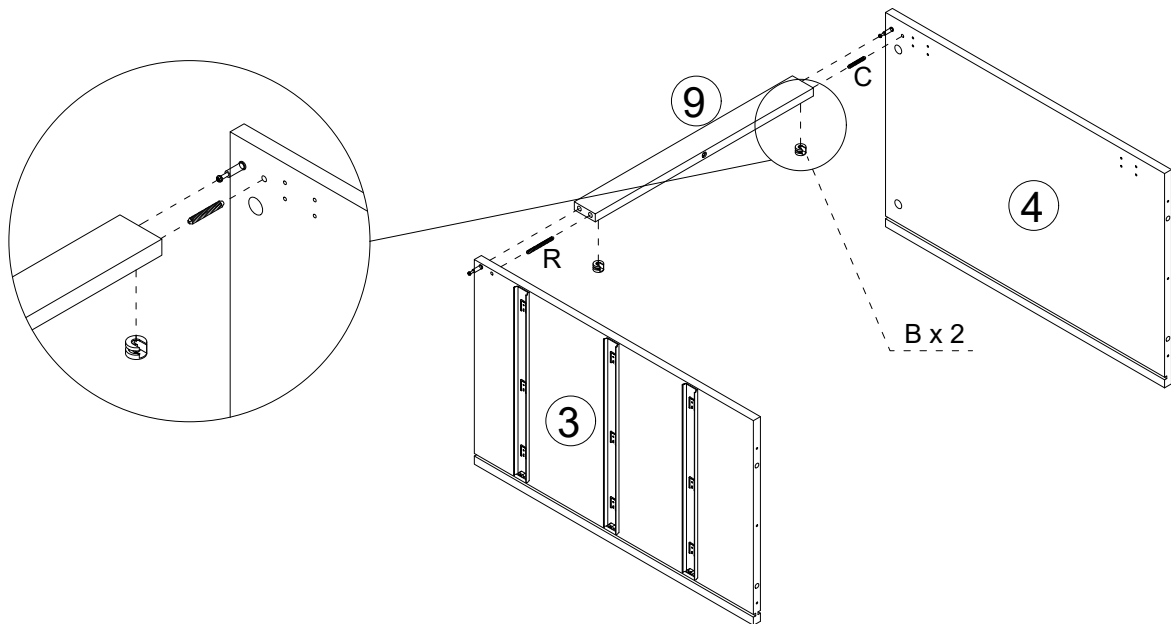
# 1. Attach parts to the panels.



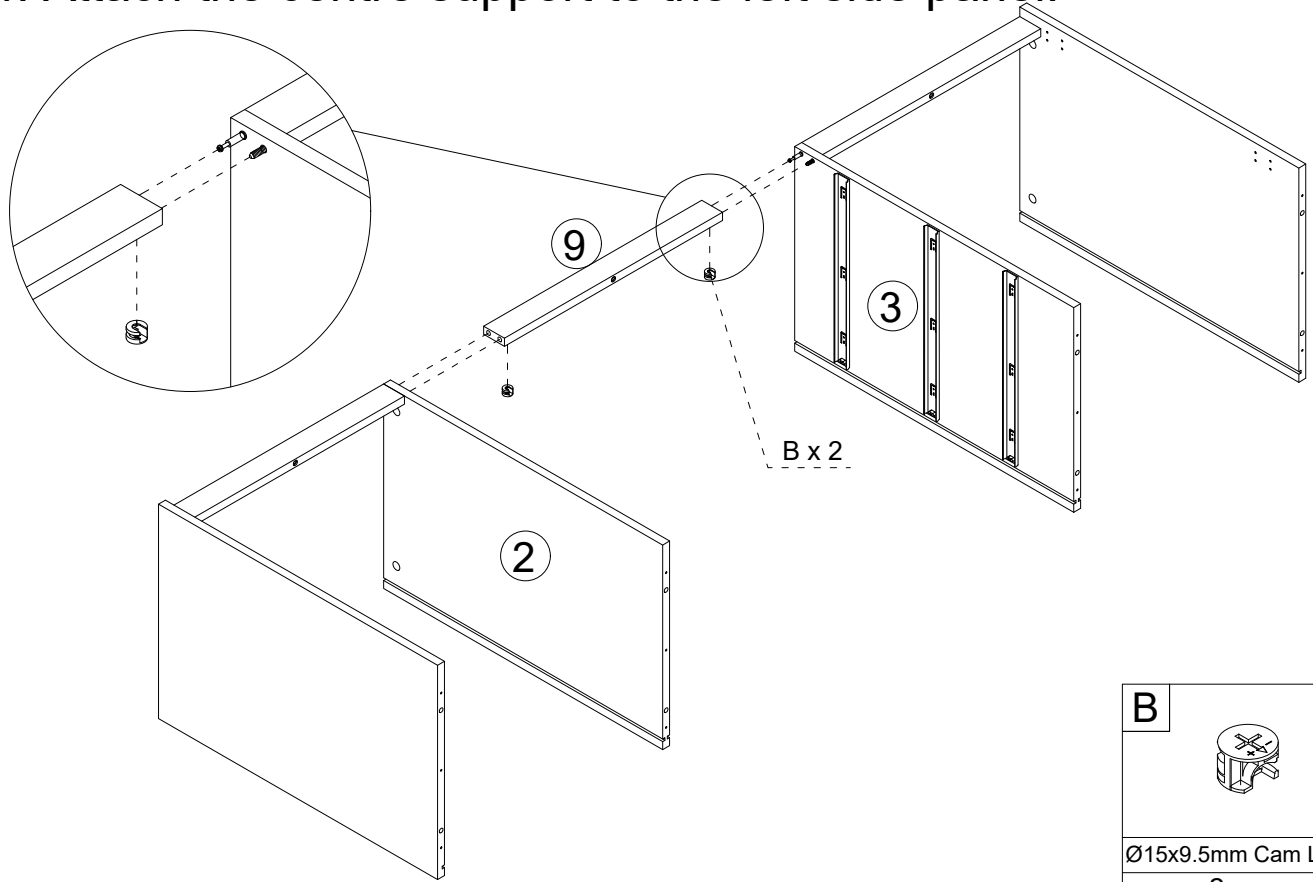
## 2. Attach the centre support to middle panels.



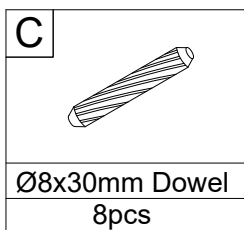
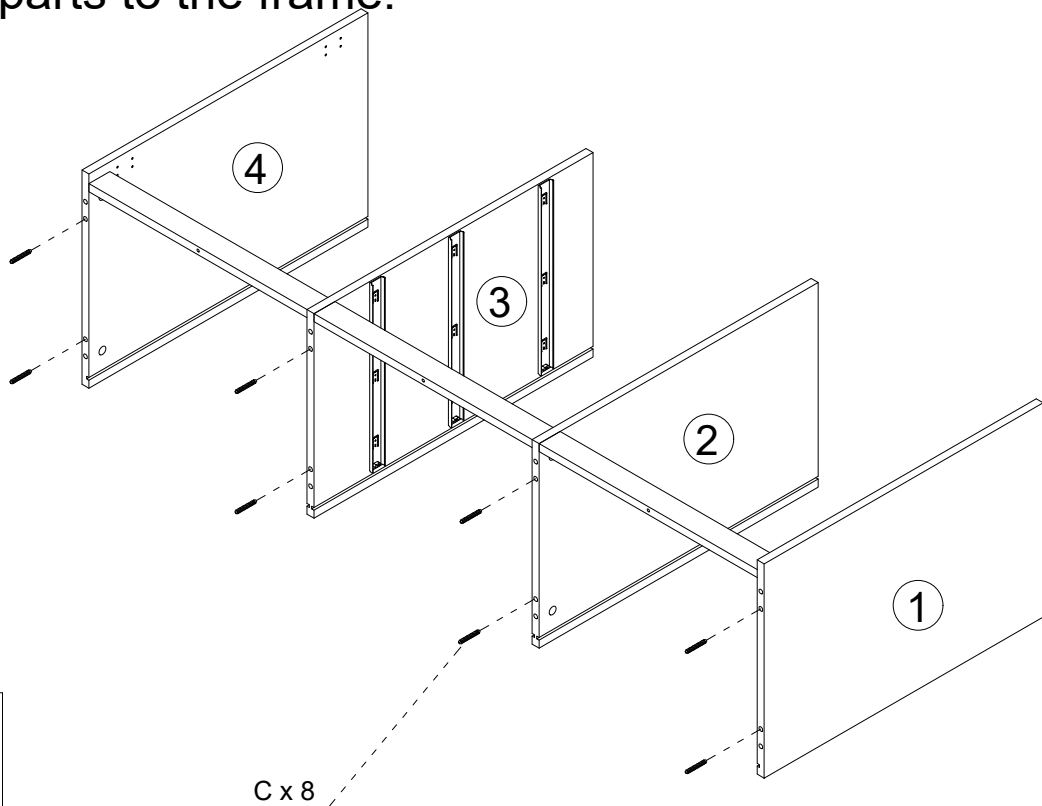
## 3. Attach the centre support to the right side panel.



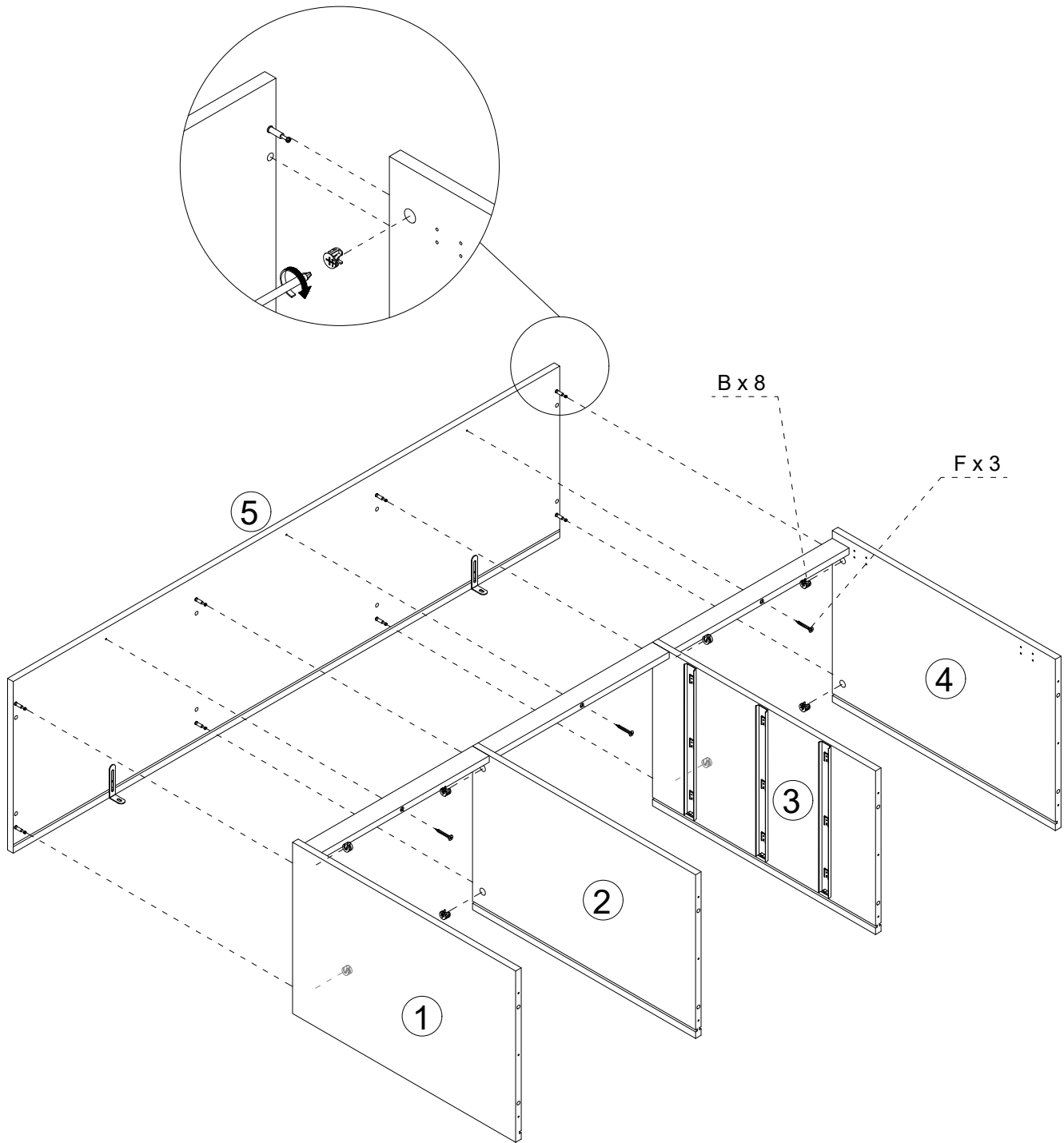
#### 4. Attach the centre support to the left side panel.





#### 5. Attach parts to the frame.



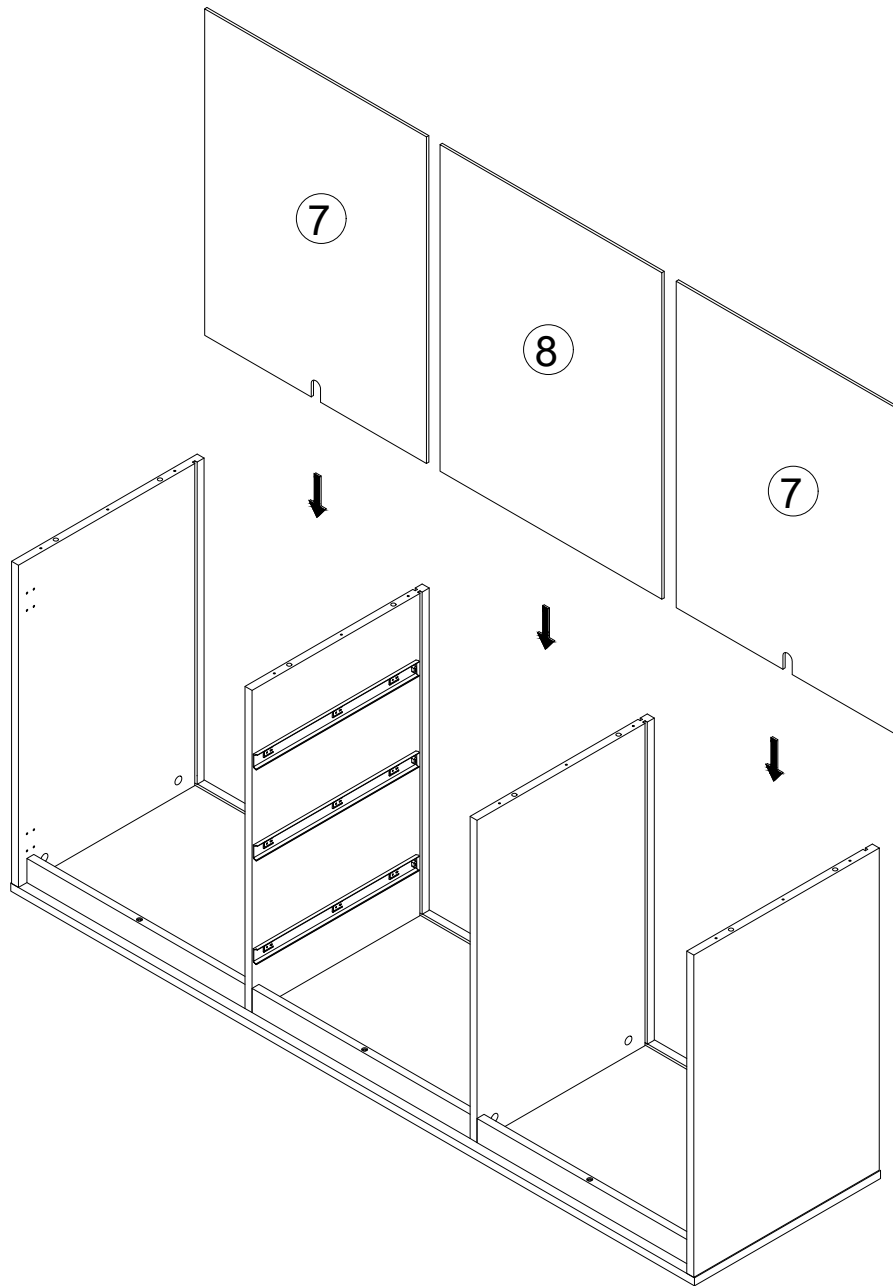
## 6. Attach the frame to the Top.



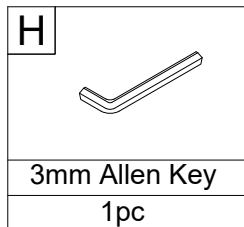
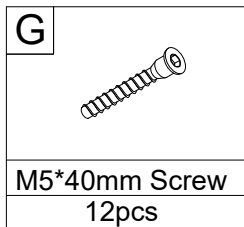
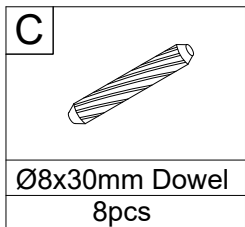
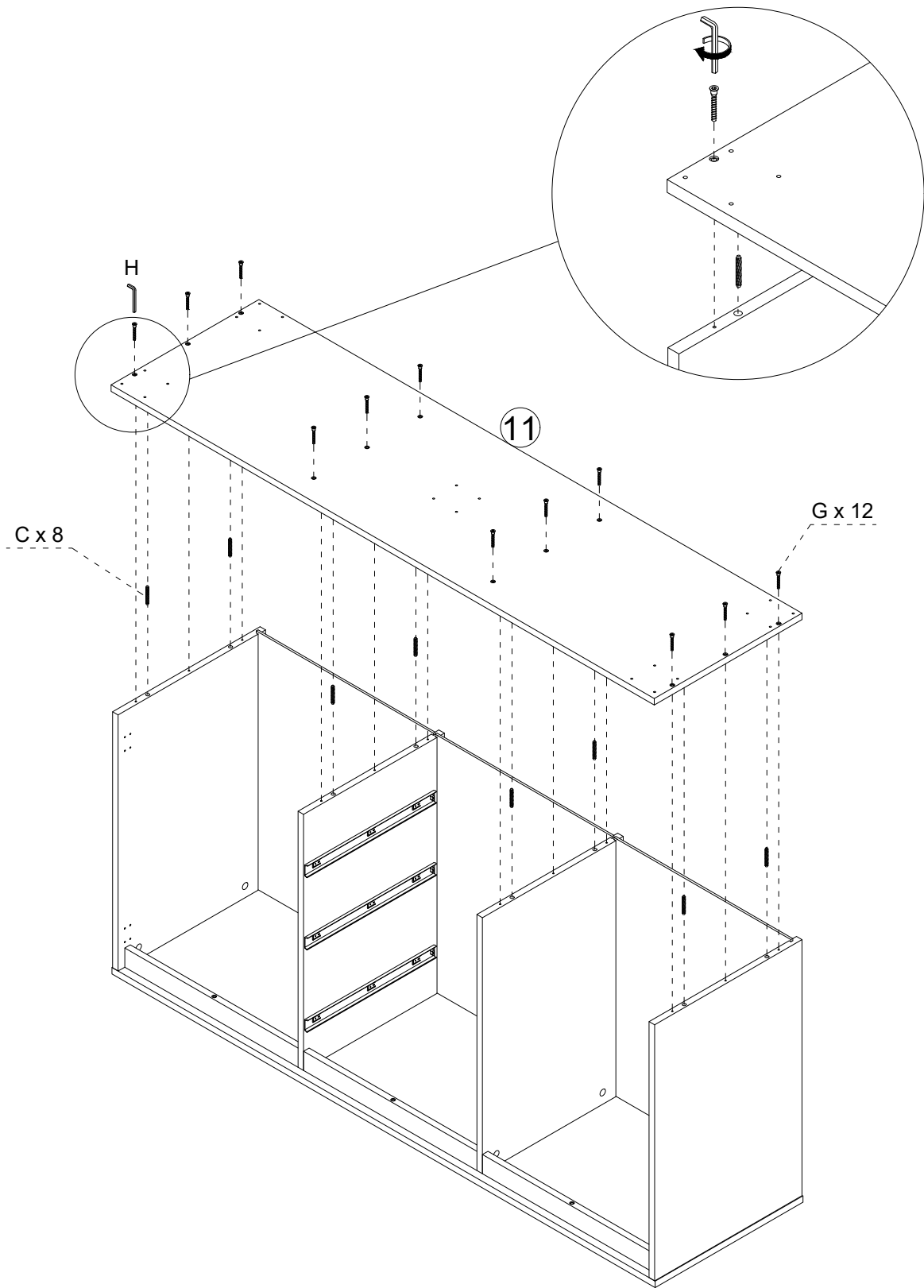
<b>B</b>	
Ø15x9.5mm Cam Lock	
8pcs	

<b>F</b>	
M4*35mm Screw	
3pcs	

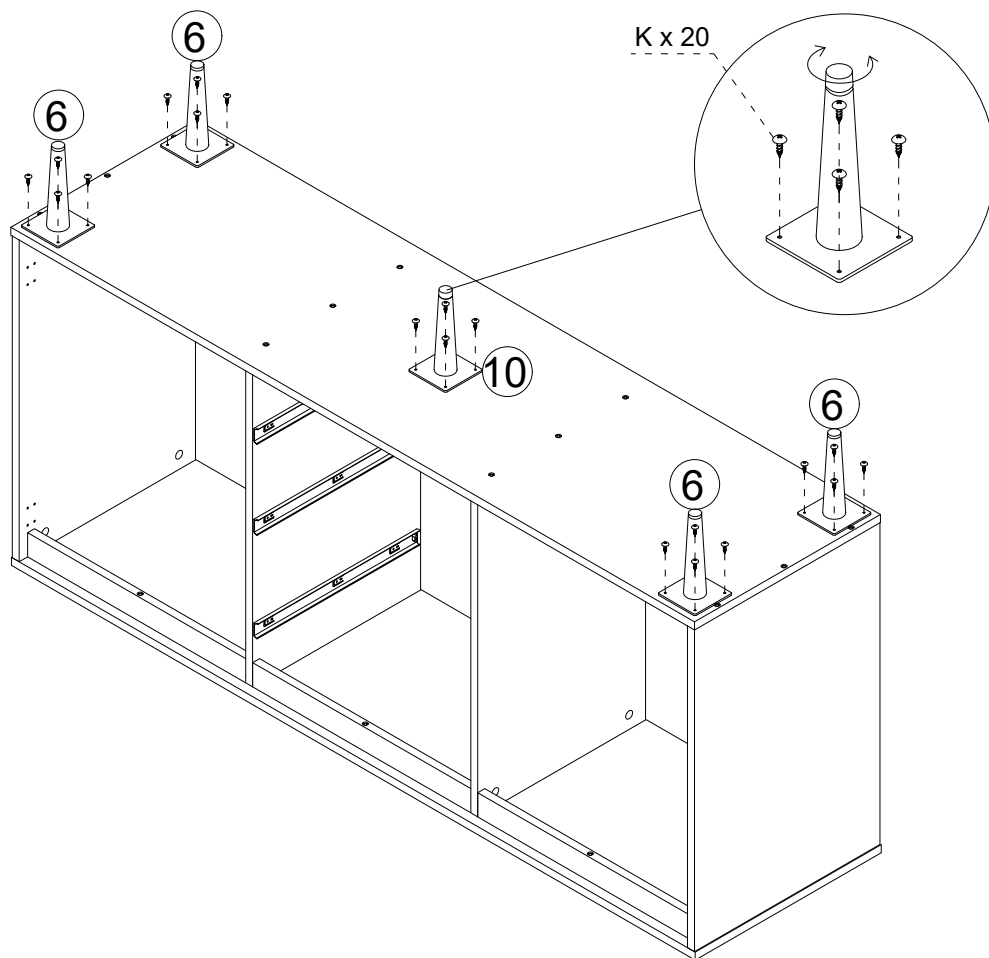
## 7. Assemble the back panels.



# 8. Attach the bottom panel to the frame.



## 9. Attach the legs to the frame.

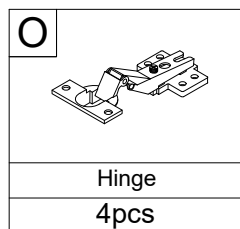
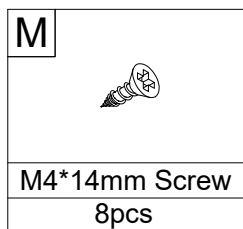
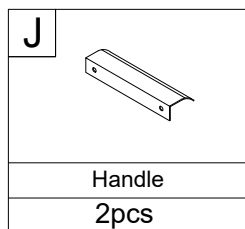
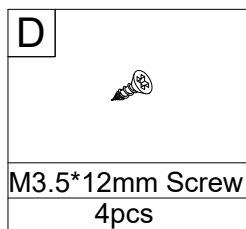
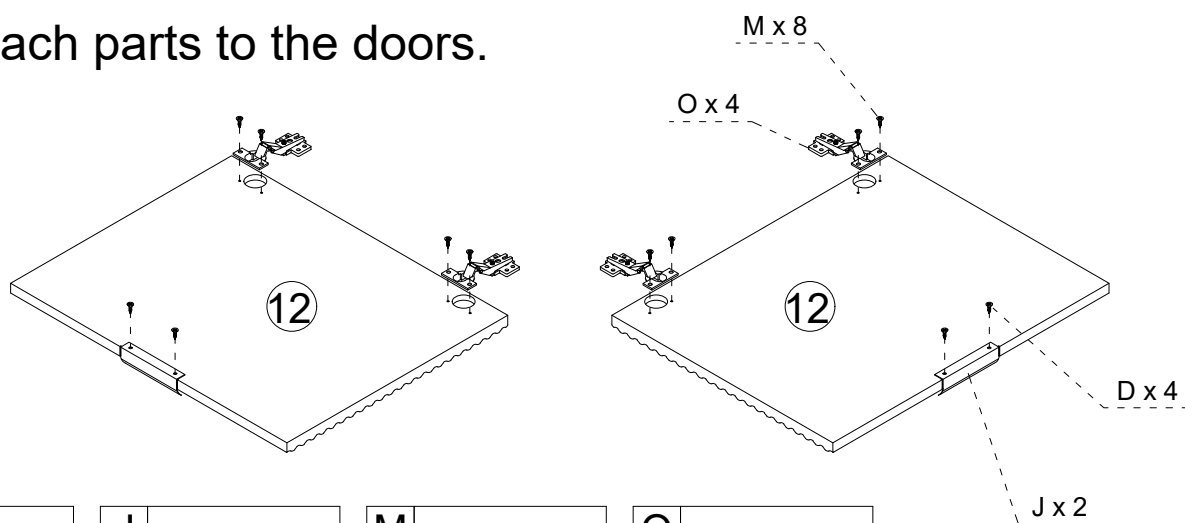


K

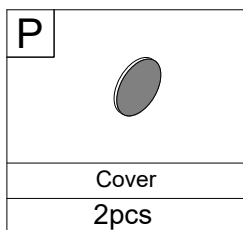
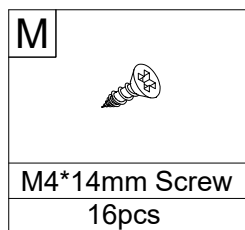
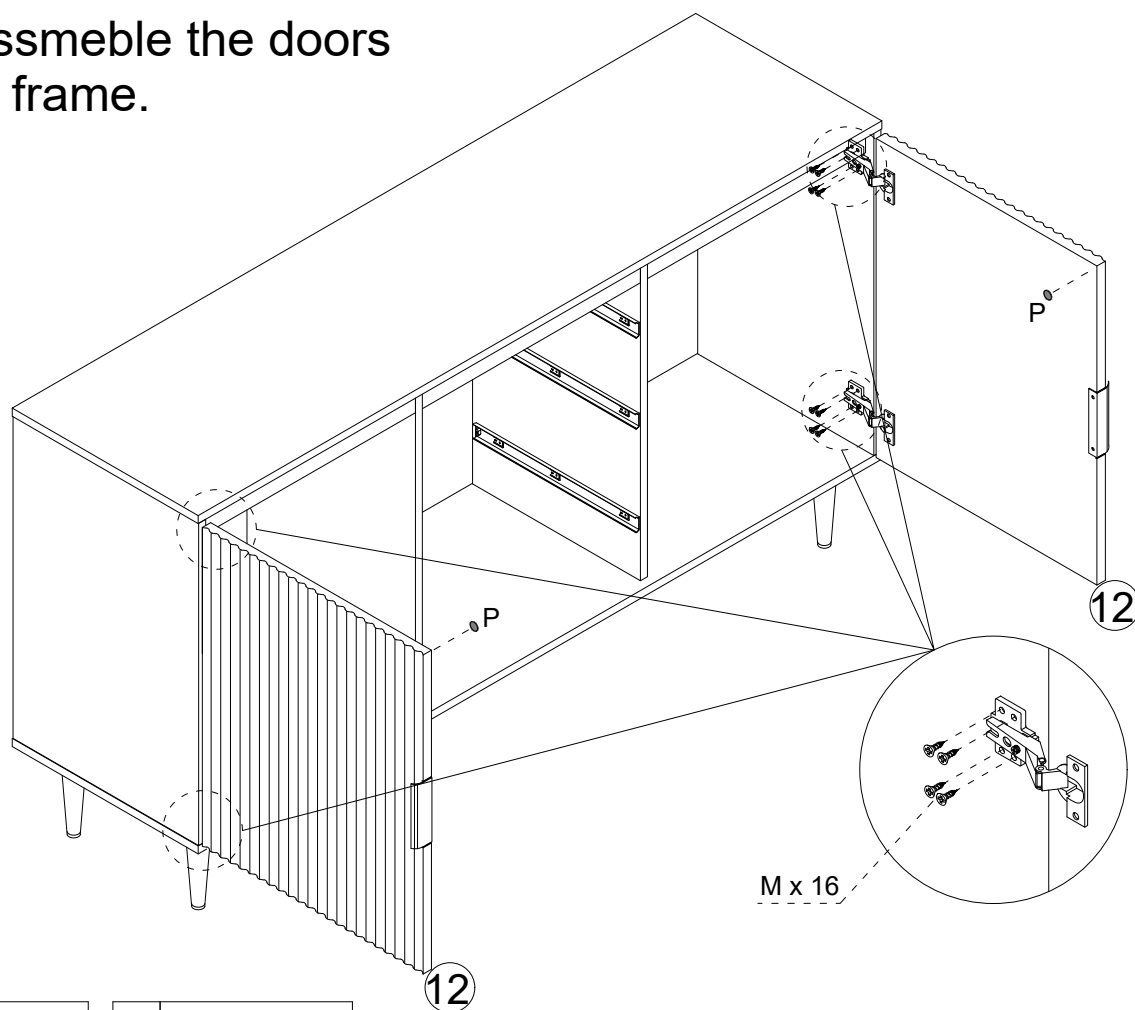


M4\*14mm Screw  
20pcs

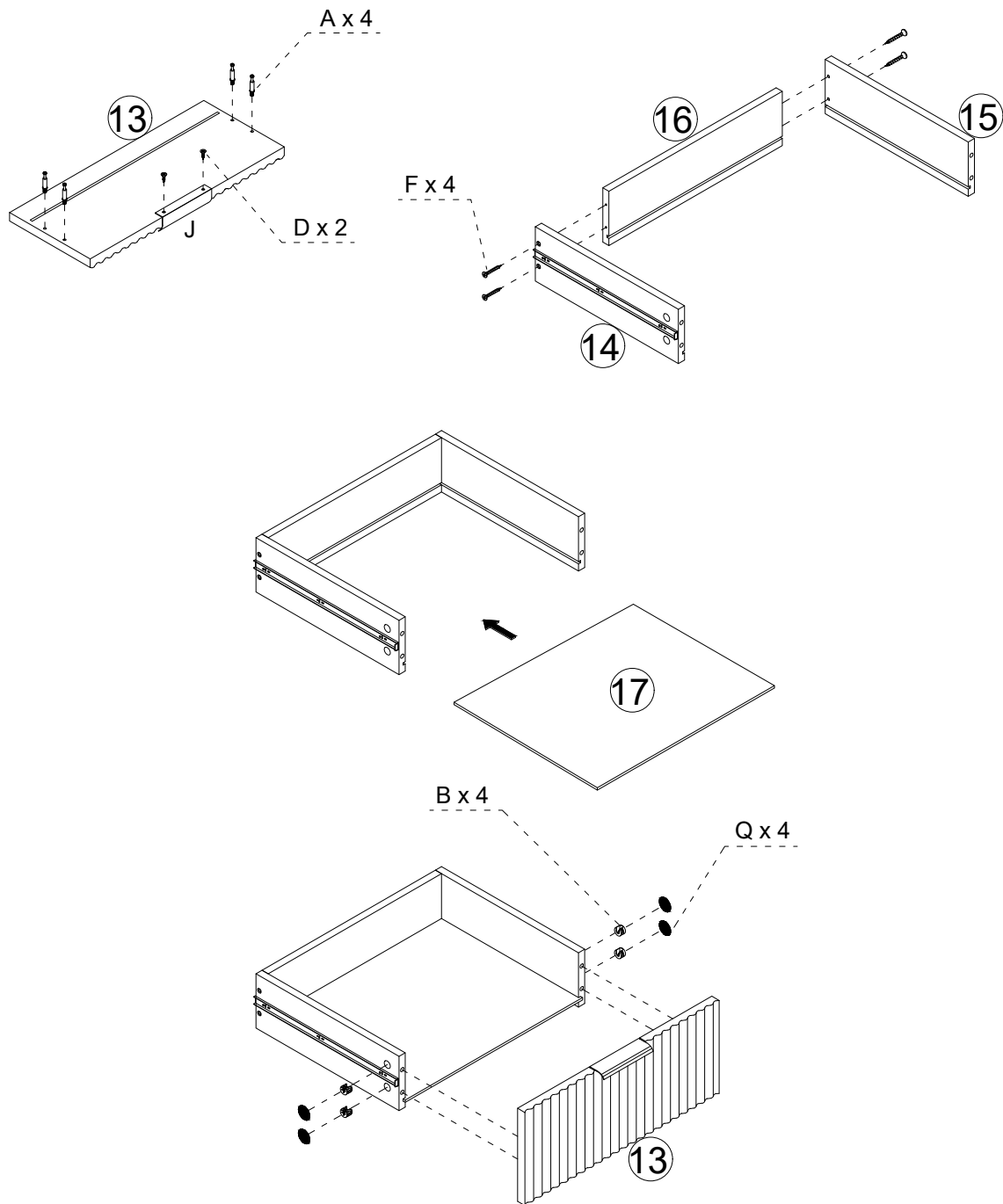
## 10. Attach parts to the doors.



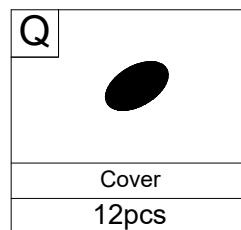
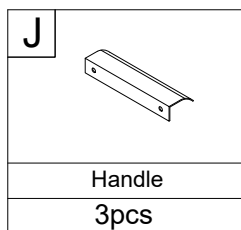
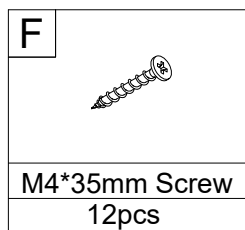
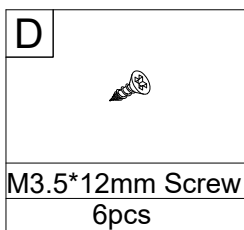
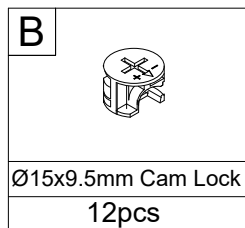
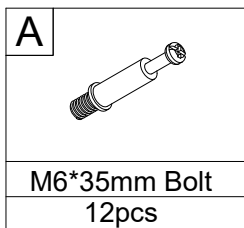
## 11. Assemble the doors to the frame.



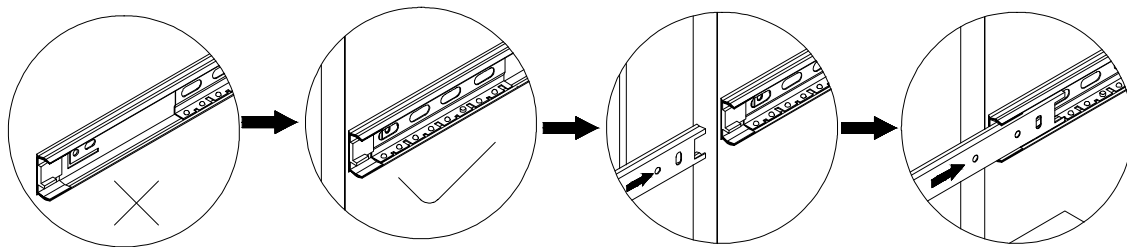
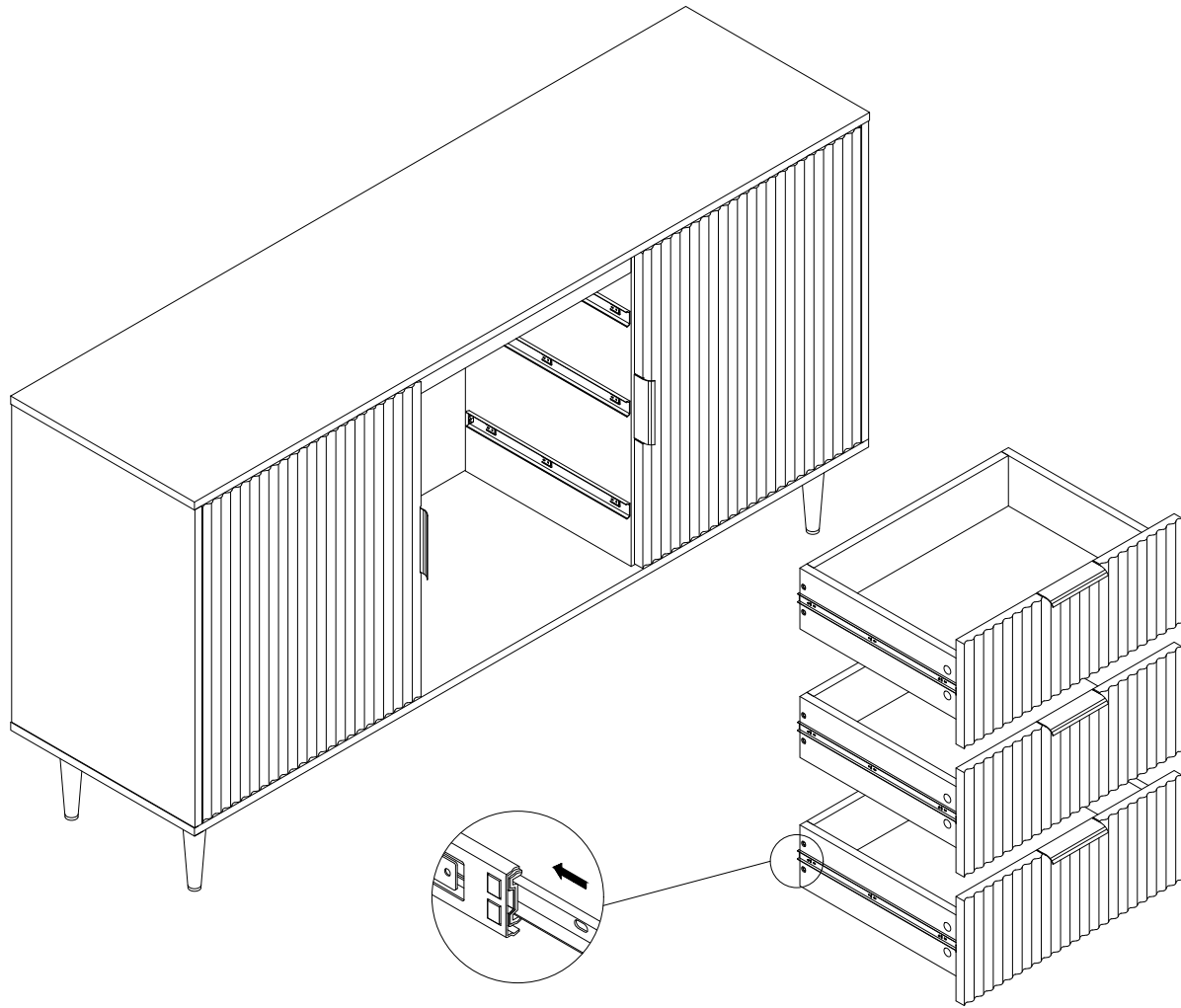
## 12. Assemble the drawers.



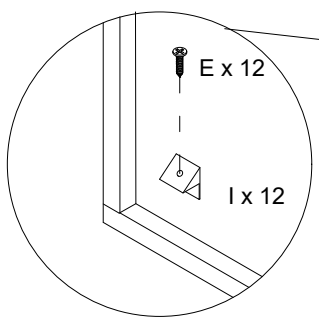
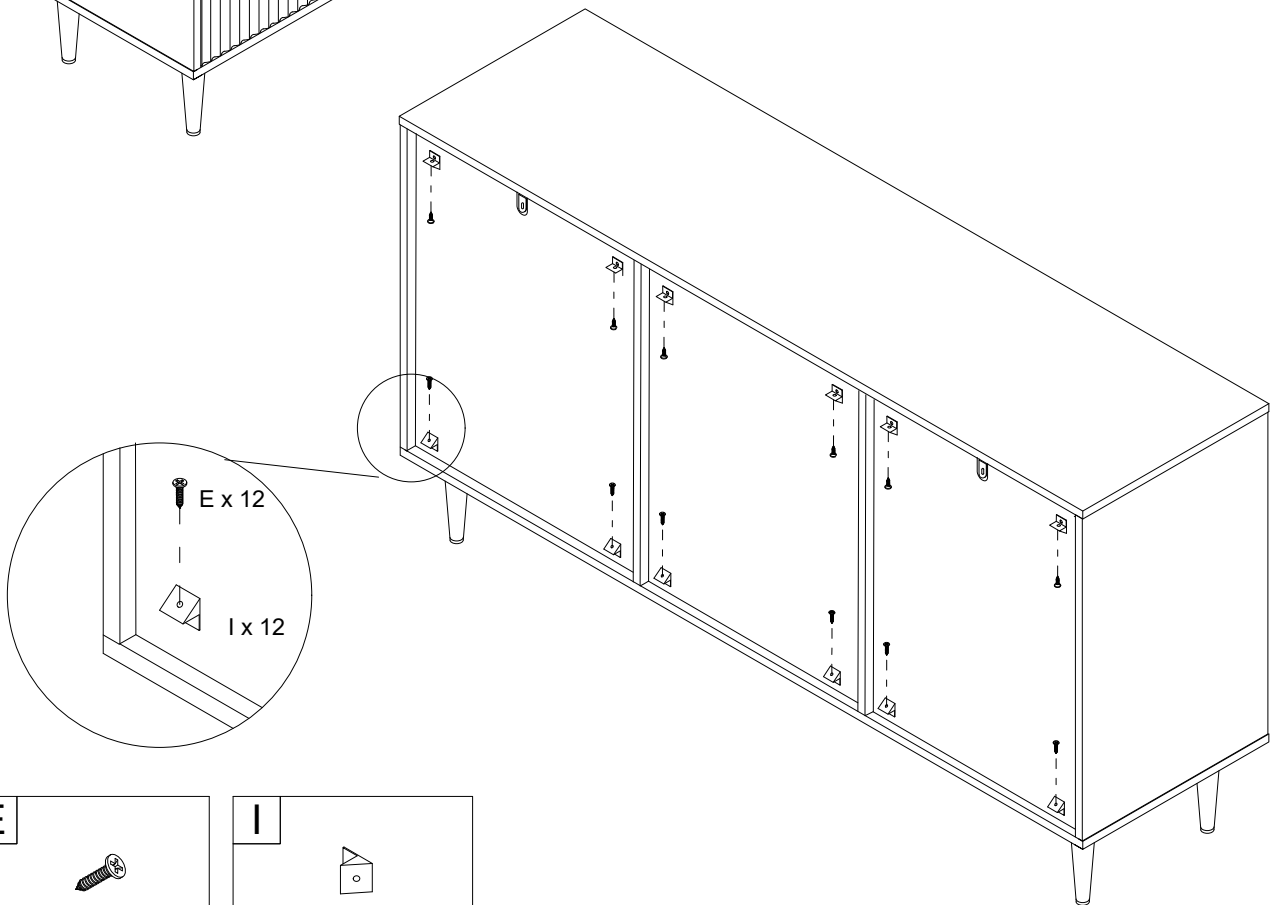
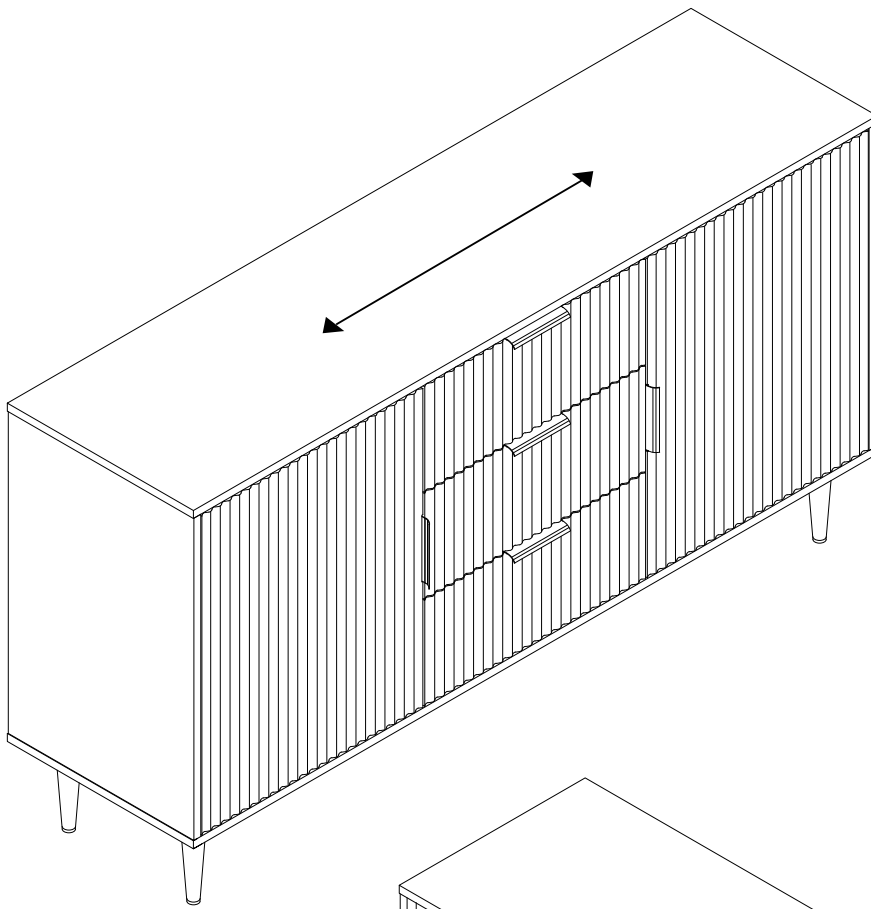
x 3




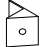
### 13. Assemble the drawers to the sideboard.



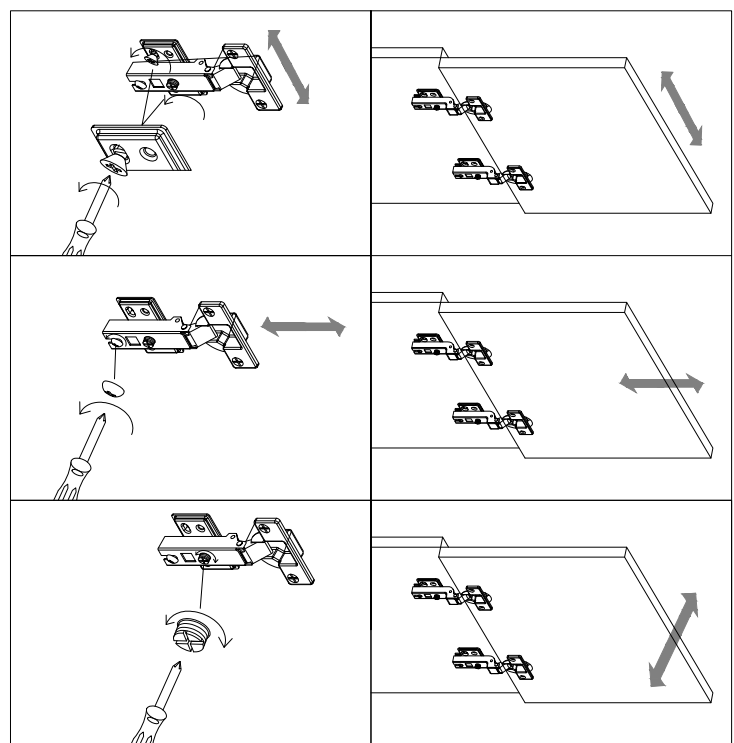
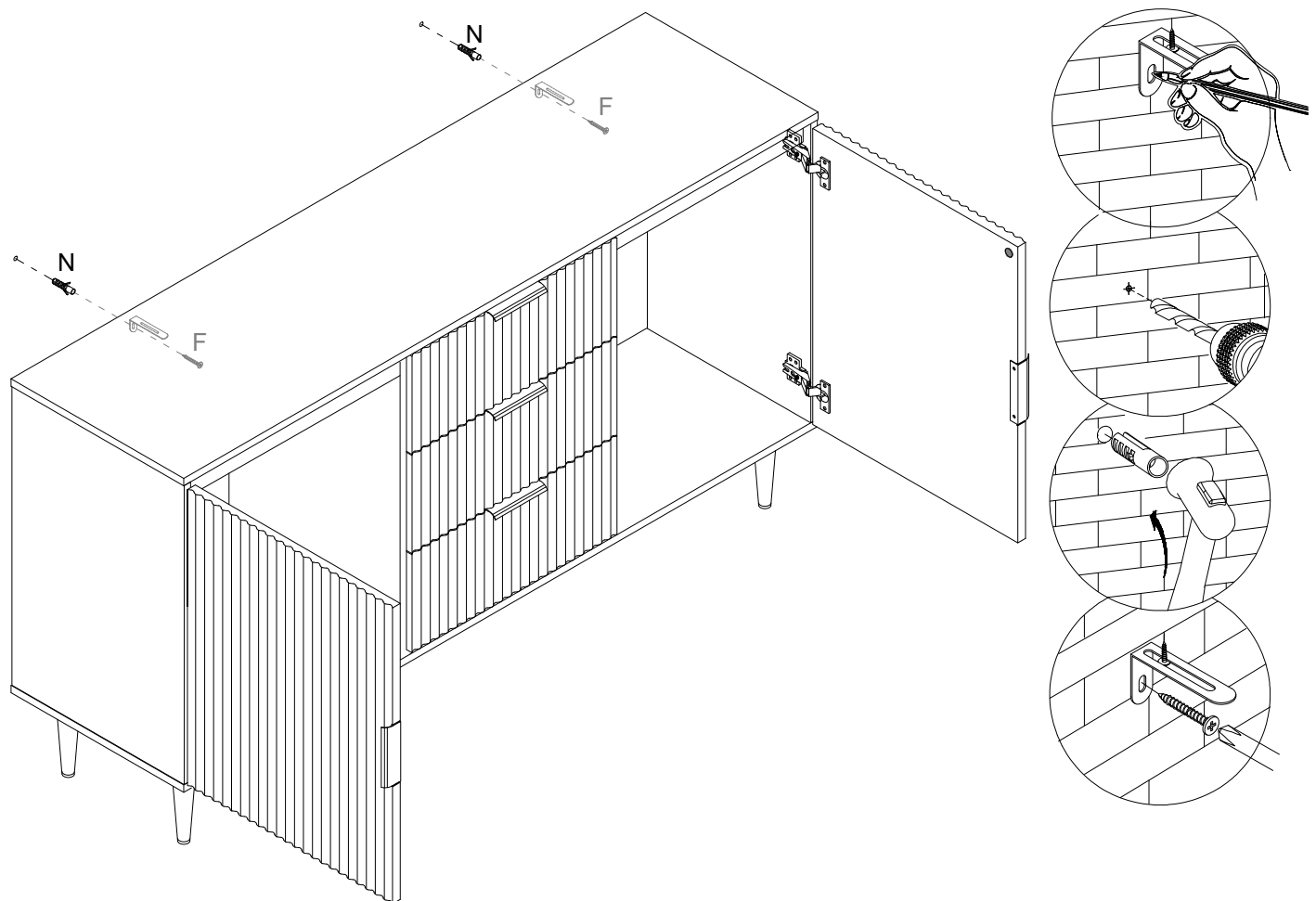
14. Make sure the drawers are in correct position, even and parallel.





<b>E</b>

M3*14mm Screw 12pcs

<b>I</b>

15x9mm Plastic Buckle 12pcs

# 15. Fix the L-shaped Bracket to the wall.



<b>F</b>	
M4*35mm Screw 2pcs	

<b>N</b>	
Ø6x30mm Wall Plug 2pcs	