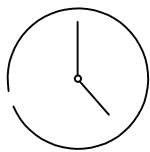
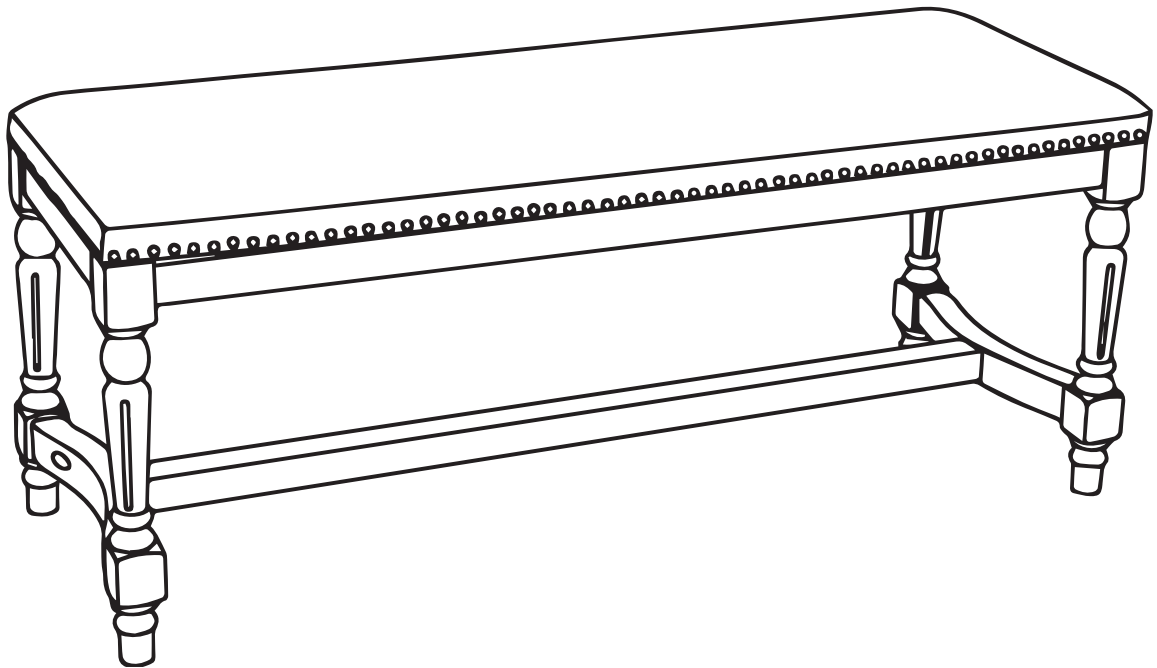


Box dimensions: L126 x W51 x H21 (cm)

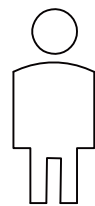
DUSK.COM

LIVING | BEDROOM | DINING

French Bench



**Up to 20 minutes
approx assembly
time**



**Single person
assembly**

V1.0

Page 1

Safe Operation and Assembly instructions:

- Please ensure children and animals are kept away from the ottoman assembly area and packaging, small parts could choke if swallowed.
- Check you have all the components and tools listed on the following page.
- Assemble on a soft level floor to avoid damage to the ottoman and your floor.
- Place the product on a flat level and steady surface during use.
- Dispose of all packaging responsibly once the ottoman has been fully assembled. Recycle where possible.
- It is recommended to assemble the ottoman in the same room it will be used.
- Do not leave the ottoman in direct sunlight or outdoors.
- We advise that fittings should only be finger tight until the ottoman has been fully assembled. Once fully assembled, ensure the ottoman is square and proceed to fully tighten all of the fittings.
- It is recommended to check and retighten fittings on a regular basis.
- Do not drag the ottoman box to move it. Lift with two people -one at each end. Dragging the ottoman risks damage to the product and the floor.
- Keep fingers away from the ottoman lid latch.
- Do not leave children unattended around the open ottoman.
- Do not store the ottoman directly next to a radiator - leave at least 30cm distance, this could lead to the fabric discolouring.
- Remove all items from ontop of the ottoman before opening

Top Tip

We recommend that you build your new ottoman in the room you'd like it to be located. This will help prevent any risk of damage whilst moving it.

Important

Assembly Tip

Before you begin, it's best to identify all of the parts and fittings to build your ottoman. We advise laying these out on the floor to check you have everything, and to familiarise yourself with all of the parts and fittings before building.

Safety and Care

It's important to ensure children and animals are kept away from the assembly area, as there are small components used in this product which could present a choking hazard. All plastic and wrapping materials should also be kept away from children and animals to prevent any risk of suffocation.

Help and Support

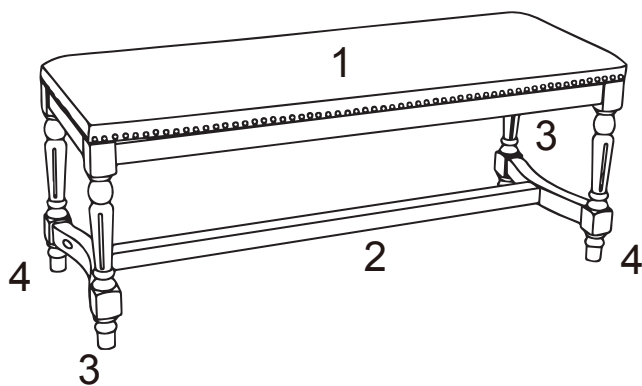
Please contact our customer service team on 0113 519 0311 if you have any questions or issues with your purchase.

Recycling


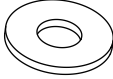


Please ensure that packaging is disposed of in a safe and environmentally friendly way, and recycle where possible. Please keep your assembly instructions safe to refer back to in the future

Parts

Before you begin building your ottoman, please take a moment to read through the instructions and make sure that you have all the relevant parts listed on the parts check list.

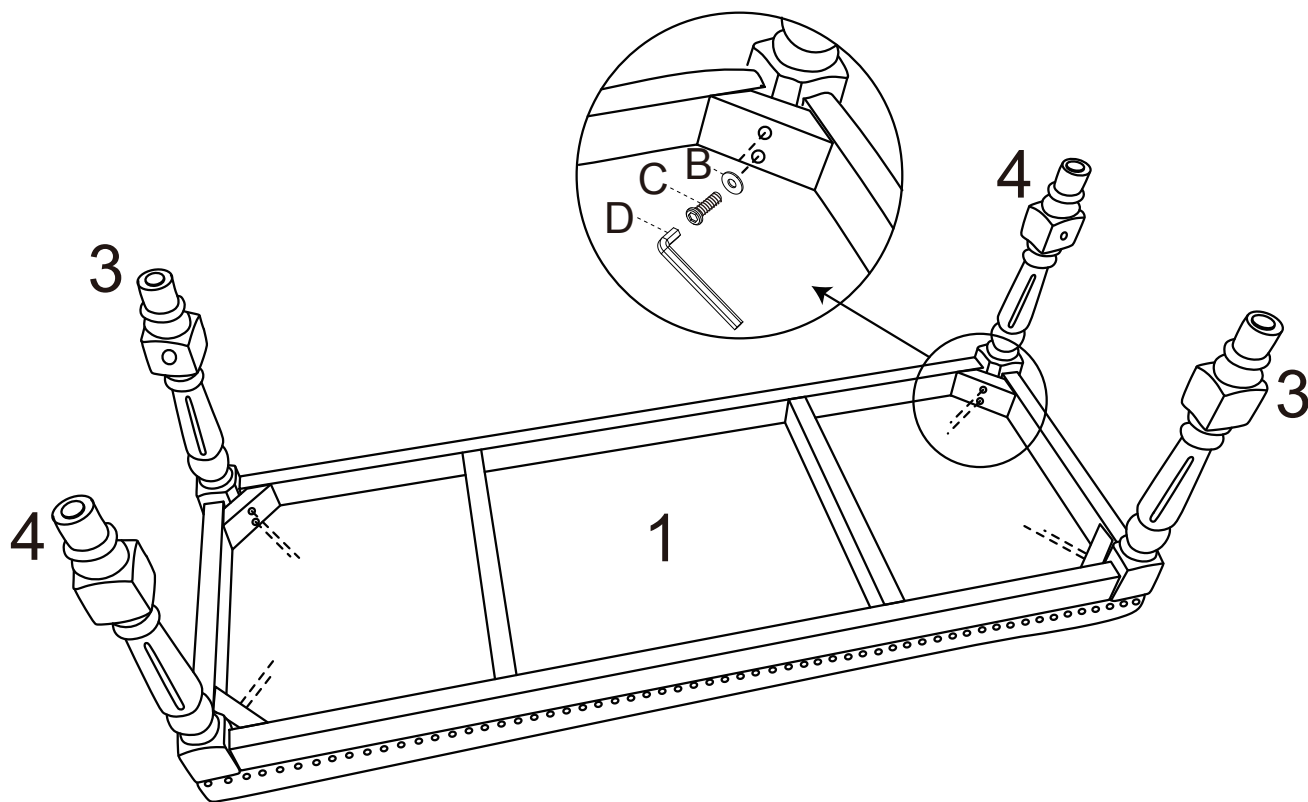


Piece	Description	Qty
1	Ottoman	1 pc
2	Base Support Bar	1 pc
3	Leg 1	2 pcs
4	Leg 2	2 pcs

A	B	C	D
			
M8x60mm Bolt 4pcs	Washer 8pcs+1pc extra	M8x40mm Bolt 8pcs+1pc extra	M8 Allen Key 1pc

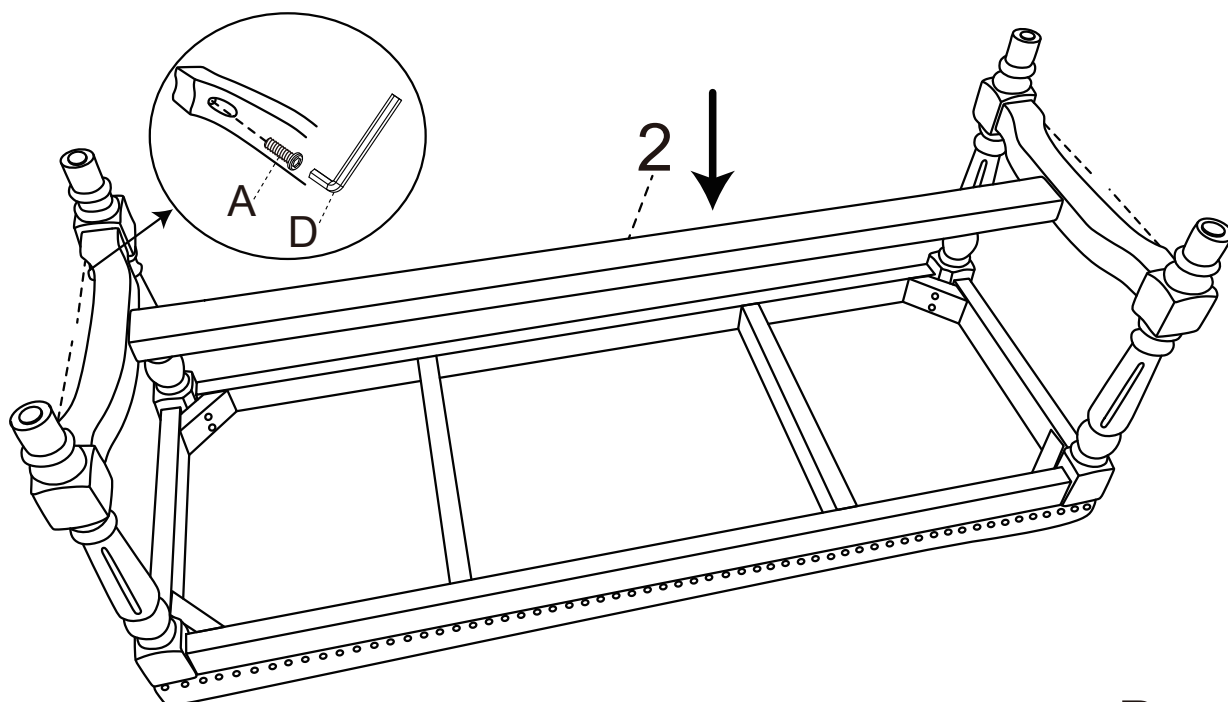
Step 1:

Fasten the Legs (3, 4) to the ottoman bottom using Bolt (C).



Step 2:

Attach the Base Support Bar (2) to the Legs using Bolt (A).



Care and Maintenance

Here are some good tips to keep your new ottoman in tip-top condition.

Cleaning:

To clean your new ottoman, we advise using a damp cloth if the fabric is dusty or a low suction vacuum. Do not use abrasive chemicals or bleach as this may damage the product.

Checking and moving:

Periodically, we recommend you check that the screws and fixtures haven't become loose over time. To move your ottoman, we recommend lifting it where possible, as dragging or pushing it could cause damage to the legs or flooring.

Fabric:

Please note, depending on the lighting, positioning and surroundings of your room, the shade of the fabric will appear differently. Over a period of time, the fabric may also lighten or fade slightly due to light exposure.

It is not recommended to place the item next to sources of heat such as radiators, fires or directly exposed to sunlight. This may cause the wood to crack, split or fade due to the heat and humidity.