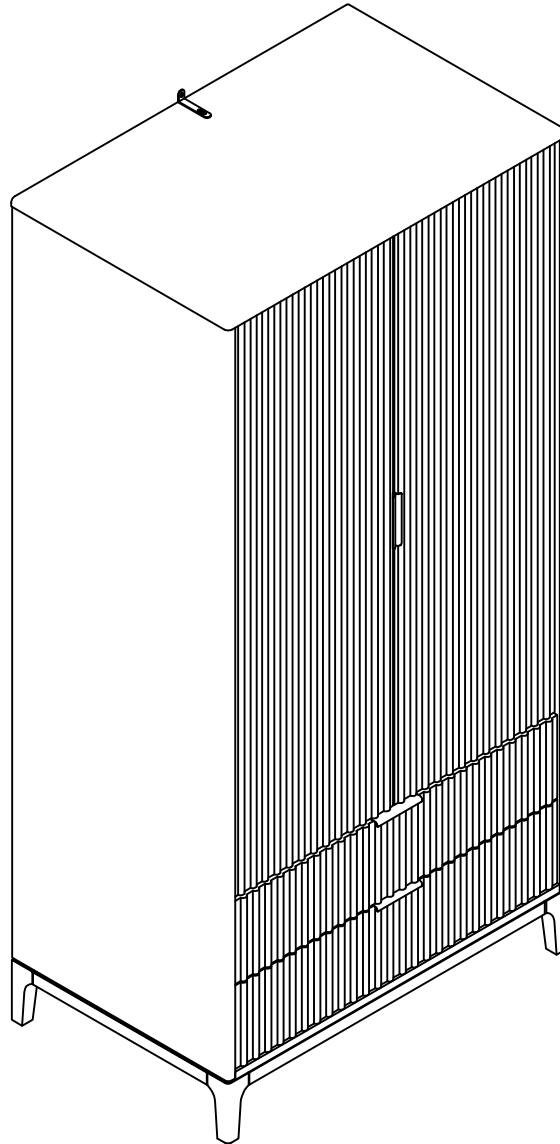
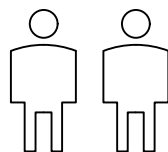


Elena Wardrobe



Up to 50 minutes
assembly time



Two person
assembly

V1.0

IMPORTANT

ASSEMBLY TIP

Before you begin, it's best to identify all of the parts and fittings to build your Elena Wardrobe frame. We advise laying these out on the floor to check you have everything, and to familiarise yourself with all of the parts and fittings before building.

TOP TIP

We recommend that you assemble the Elena Wardrobe in the room you'd like it to be located. This will help prevent any risk of damage to the frame whilst moving it.

SAFETY AND CARE

It's important to ensure children and animals are kept away from the assembly area, as there are small components used in this product which could present a choking hazard. All plastic and wrapping materials should also be kept away from children and animals to prevent any risk of suffocation.

HELP AND SUPPORT

Please contact our customer service team on 0113 519 0311 if you have any questions or issues with your purchase.

RECYCLING

Please ensure that packaging is disposed of in a safe and environmentally friendly way, and recycle where possible. Please keep your assembly instructions safe to refer back to in the future.

CARE AND MAINTENANCE:

1. Only clean using a damp cloth, do not use bleach or abrasive cleaners as they may damage the finish over time.
2. Do not use a very wet cloth or allow any liquid to contact with the veneer for a long period of time. Wipe any spillage immediately. Absorption can cause wood to warp or finishes to de-laminate.
3. Do not scrub or rub the surface when cleaning.
4. Do not drag the Elena Wardrobe when moving, lift it off the floor instead.
5. Use a placemat or a coaster when putting hot items (e.g. hot drinks and dishes) on the wood surface.
6. It is not recommended to place the item next to sources of heat such as radiators, fires or directly exposed to sunlight. This may cause the wood to crack, split or fade due to the heat and humidity.
7. Wood will mellow and change colour over time, we recommend that ornaments and items placed on the surface to be moved regularly to prevent uneven mellowing.
8. Regularly check all fixings to ensure none have come loose. Re-tighten if necessary.
9. Avoid sharp items such as a screwdriver or any pointy tools.
10. Dispose of all packaging carefully and responsibly - recycle where possible.

Parts list




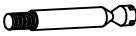





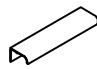





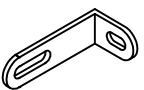

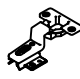




Before you begin building your Wardrobe, please take a moment to read through the instructions and make sure that you have all the relevant parts listed on the parts check list.

Part Number	Part Description	Quantity	Box No
①	Top Panel	1pc	Box 2
②	Left Side Panel	1pc	Box 1
③	Right Side Panel	1pc	Box 1
④	Bottom Panel	1pc	Box 2
⑤	Shelf Panel	1pc	Box 2
⑥	Back Support Rail	1pc	Box 2
⑦	Hanger Rod	1pc	Box 2
⑧	Back Panel	2pcs	Box 1
⑨	Back Slats	1pc	Box 1

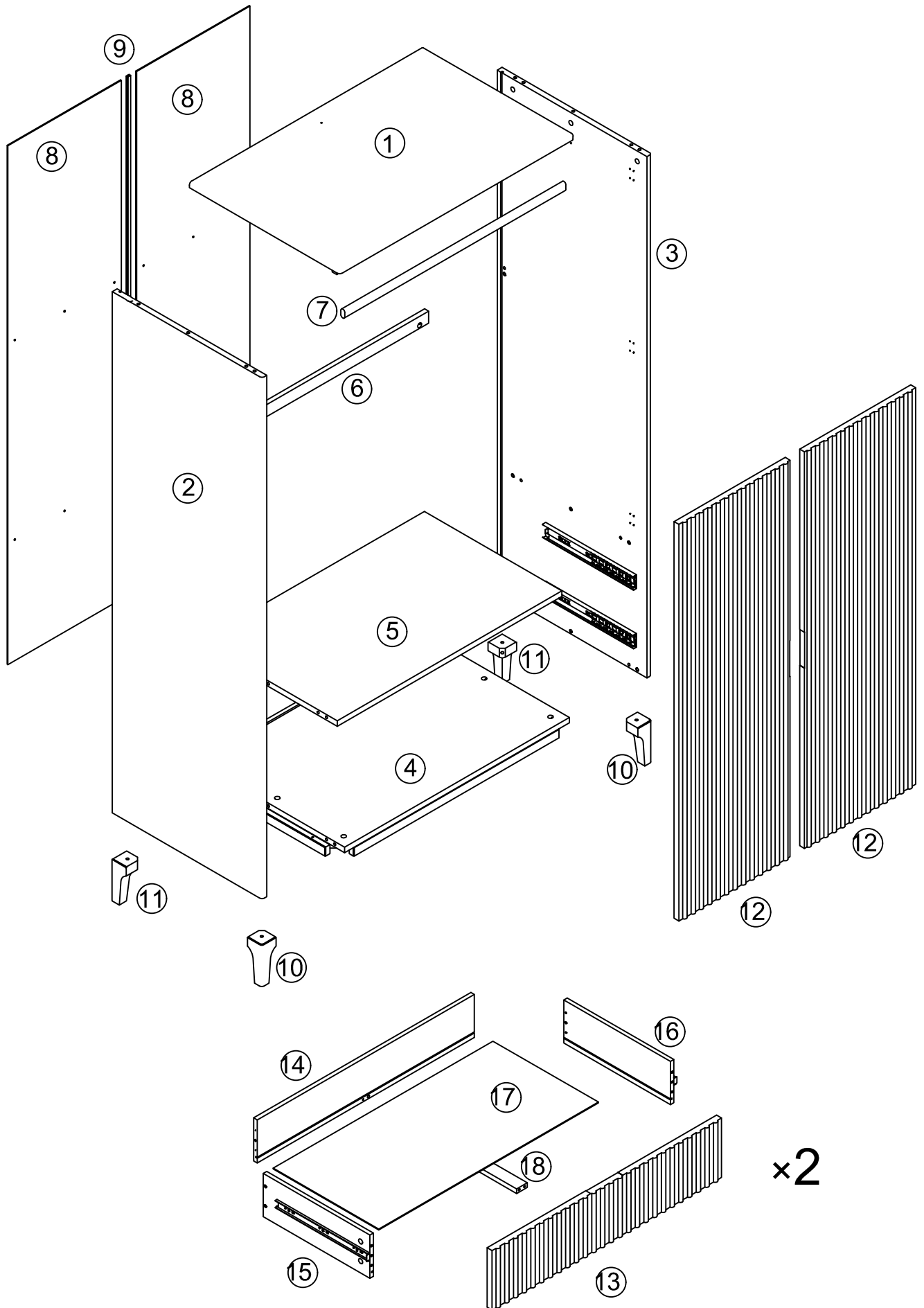
Part Number	Part Description	Quantity	Box No
⑩	Front Leg	2pcs	Box 1
⑪	Back Leg	2pcs	Box 1
⑫	Door	2pcs	Box 1
⑬	Drawer Front	2pcs	Box 2
⑭	Drawer Back Side	2pcs	Box 1
⑮	Drawer Left Side	2pcs	Box 1
⑯	Drawer Right Side	2pcs	Box 1
⑰	Drawer Bottom	2pcs	Box 2
⑱	Drawer Support	2pcs	Box 2

Fittings

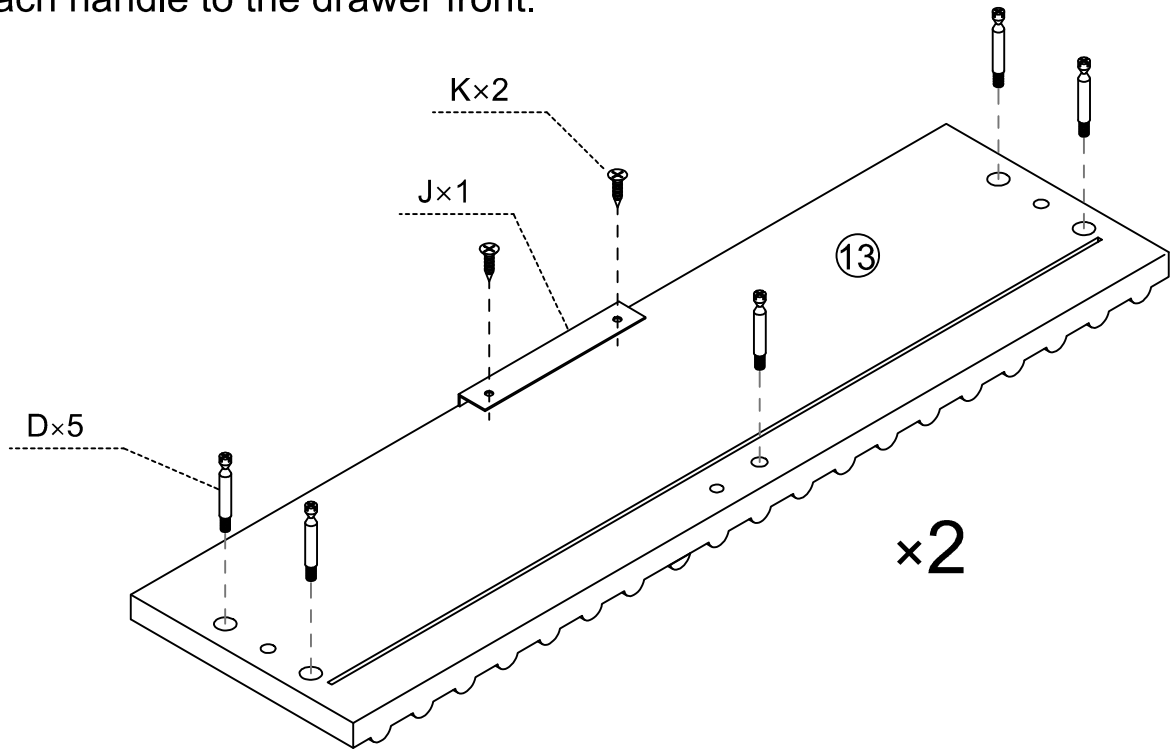
Please check you have all the fittings listed below with your product.

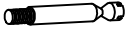
<p>A</p>  <p>M6x45mm Bolt 4pcs</p>	<p>B</p>  <p>Ø6 Flat Washer 4pcs</p>	<p>C</p>  <p>Ø6 Spring Washer 4pcs</p>	<p>D</p>  <p>M6x35mm Bolt 30pcs+2pcs extra</p>	<p>E</p>  <p>Ø15x9.5mm Cam Lock 30pcs+2pcs extra</p>
<p>F</p>  <p>Ø8x30mm Dowel 14pcs+1pc extra</p>	<p>G</p>  <p>Ø6x30mm Dowel 12pcs+1pc extra</p>	<p>H</p>  <p>15x9mm Plastic Buckle 14pcs+1pc extra</p>	<p>I</p>  <p>M3.5x14mm Screw 14pcs+1pc extra</p>	<p>J</p>  <p>Handle 4pcs</p>
<p>K</p>  <p>M3x14mm Screw 8pcs+1pc extra</p>	<p>L</p>  <p>M4x40mm Screw 4pcs</p>	<p>M</p>  <p>M4x16mm Screw 13pcs+1pc extra</p>	<p>N</p>  <p>Rod Support 2pcs</p>	<p>O</p>  <p>Rod Support Cap 2pcs</p>
<p>P</p>  <p>Wall Bracket 1pc</p>	<p>Q</p>  <p>Cover 14pcs+2pcs extra</p>	<p>R</p>  <p>Hinge 6pcs</p>	<p>S</p>  <p>M4x16mm Screw 40pcs+2pcs extra</p>	<p>T</p>  <p>M4x35mm Screw 11pcs +1pc extra</p>
<p>U</p>  <p>Ø6 x 30mm Wall Plug 1pc</p>	<p>V</p>  <p>M4 Allen key 1pc</p>			


Parts




Step 1. Attach handle to the drawer front.

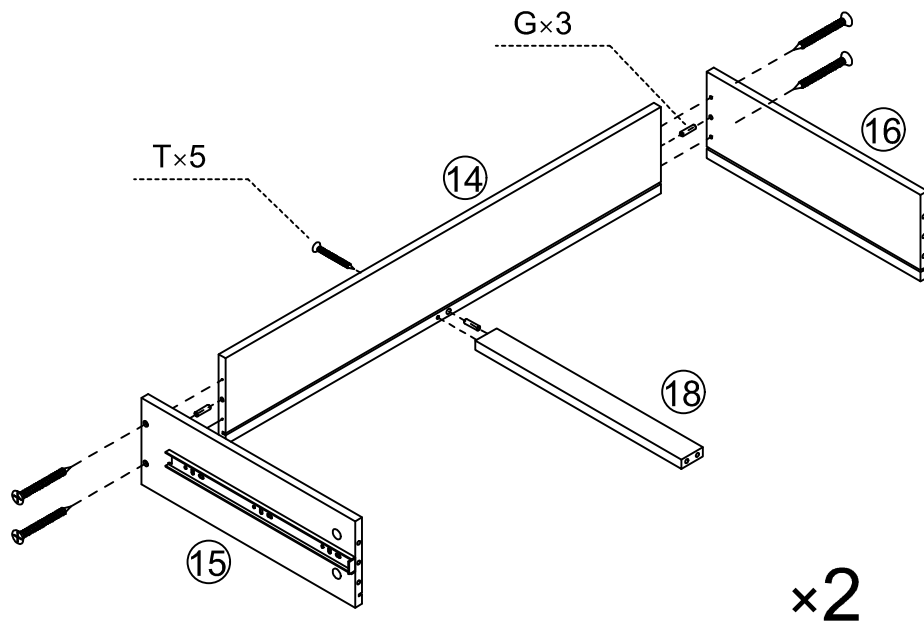



D	
M6 x 35mm Bolt	
10pcs	


J	
Handle	
2pcs	

K	
M3 x 14mm Screw	
4pcs	

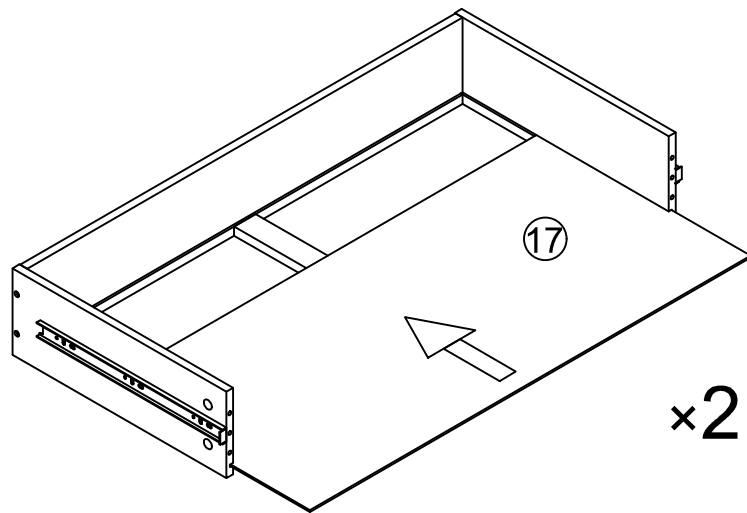
Step 2. Assemble drawers.



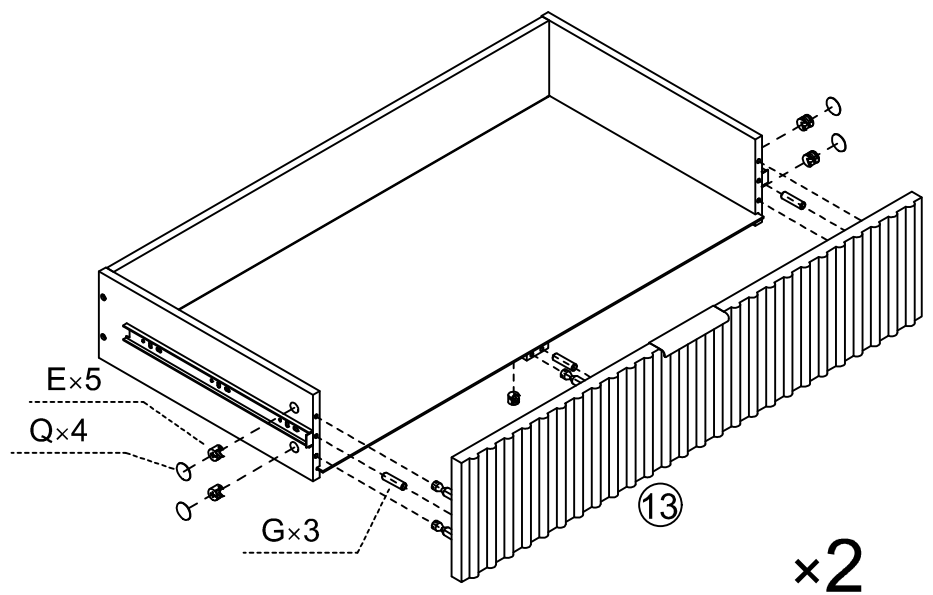
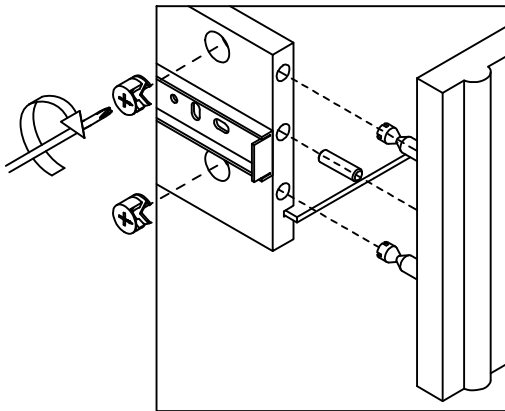
G	
Ø6x30mm Dowel	
6pcs	


T	
M4 x 35mm Screw	
10pcs	


Step 3. Assemble drawer bottom panel.




Step 4. Assemble drawer front.

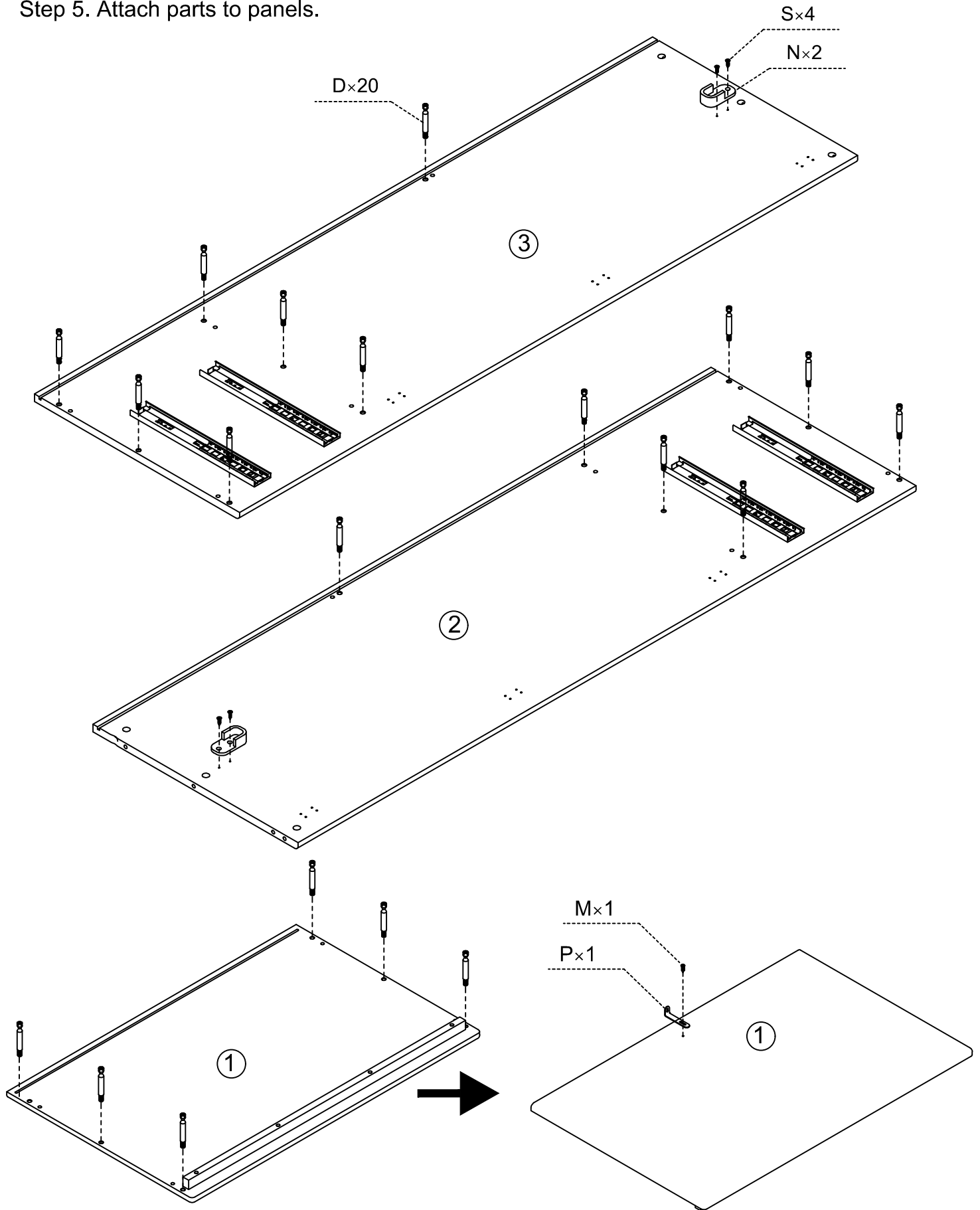


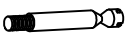
E	
Ø15 x 9.5mm Cam Lock	
10pcs	


G	
Ø6 x 30mm Dowel	
6pcs	


Q	
Cover	
8pcs	


Step 5. Attach parts to panels.

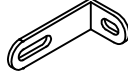


D	
M6 x 35mm Bolt	
20pcs	

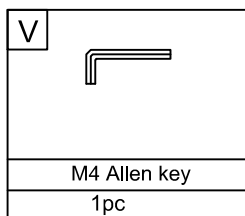
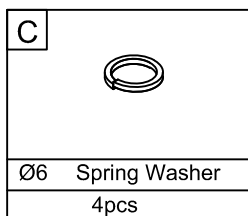
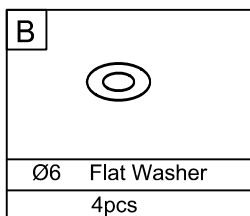
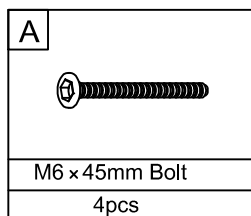
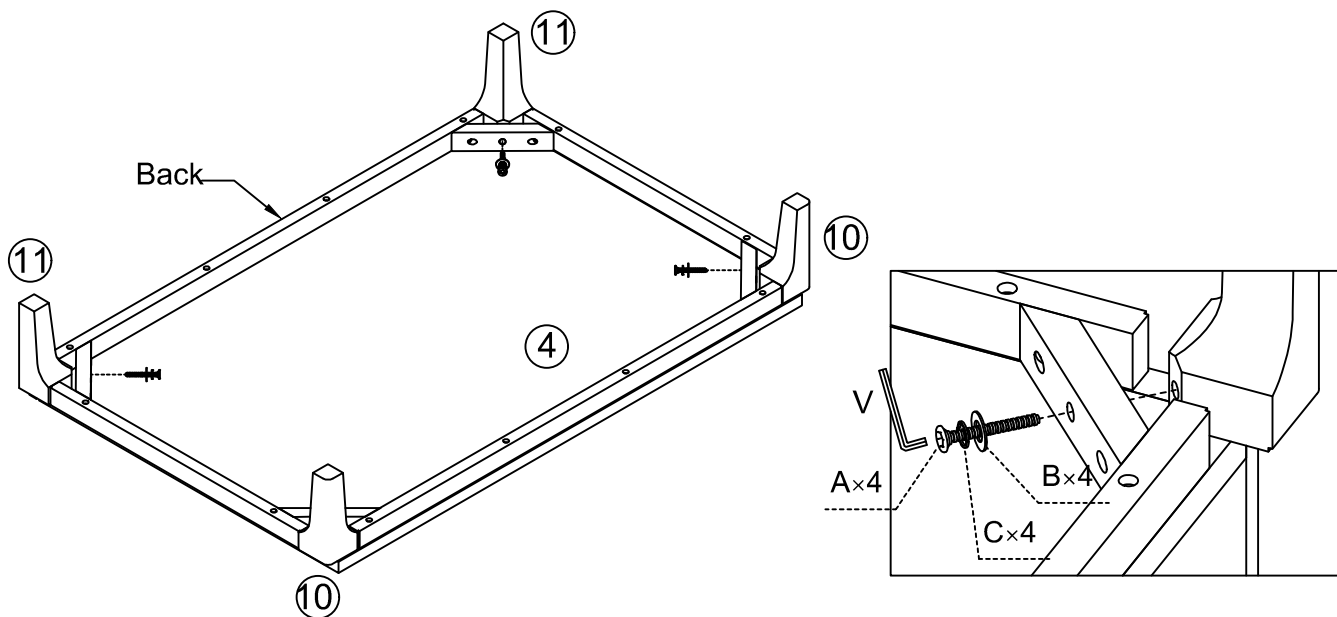
N	
Rod Support	
2pcs	

S	
M4x16mm Screw	
4pcs	

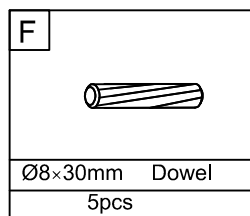
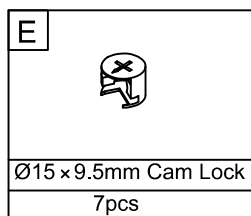
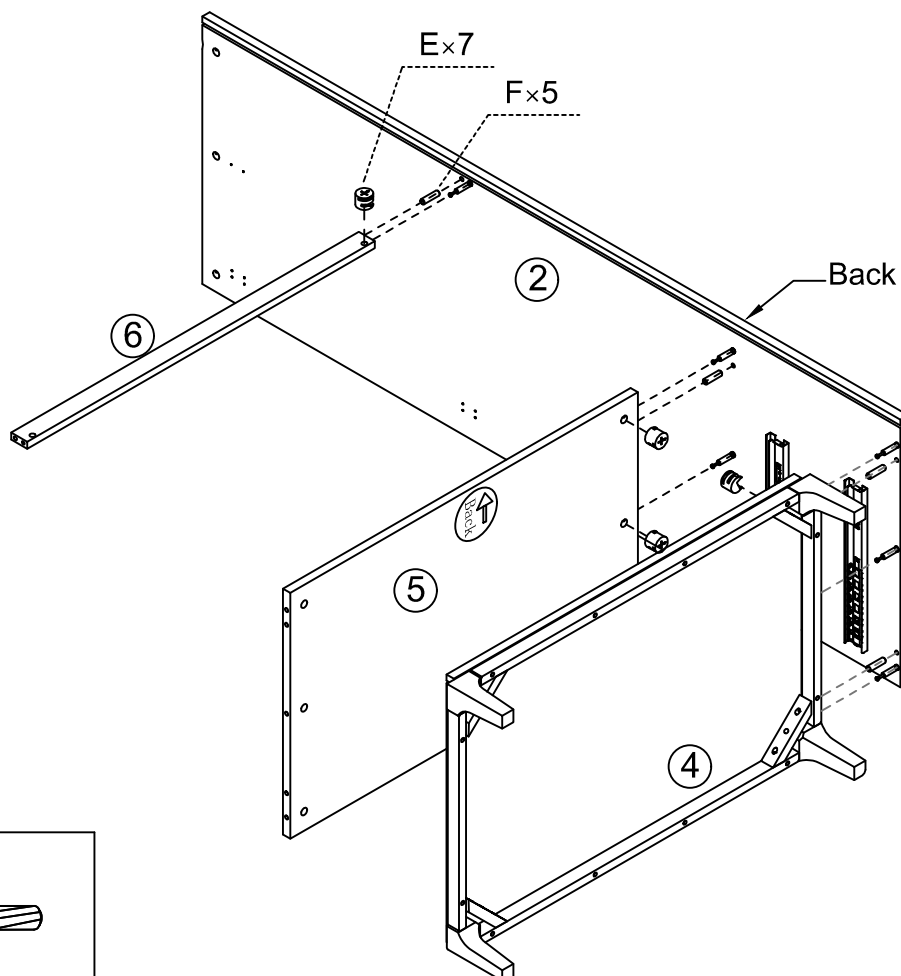
M	
M4x 16mm Screw	
1pc	

P	
Wall Bracket	
1pc	

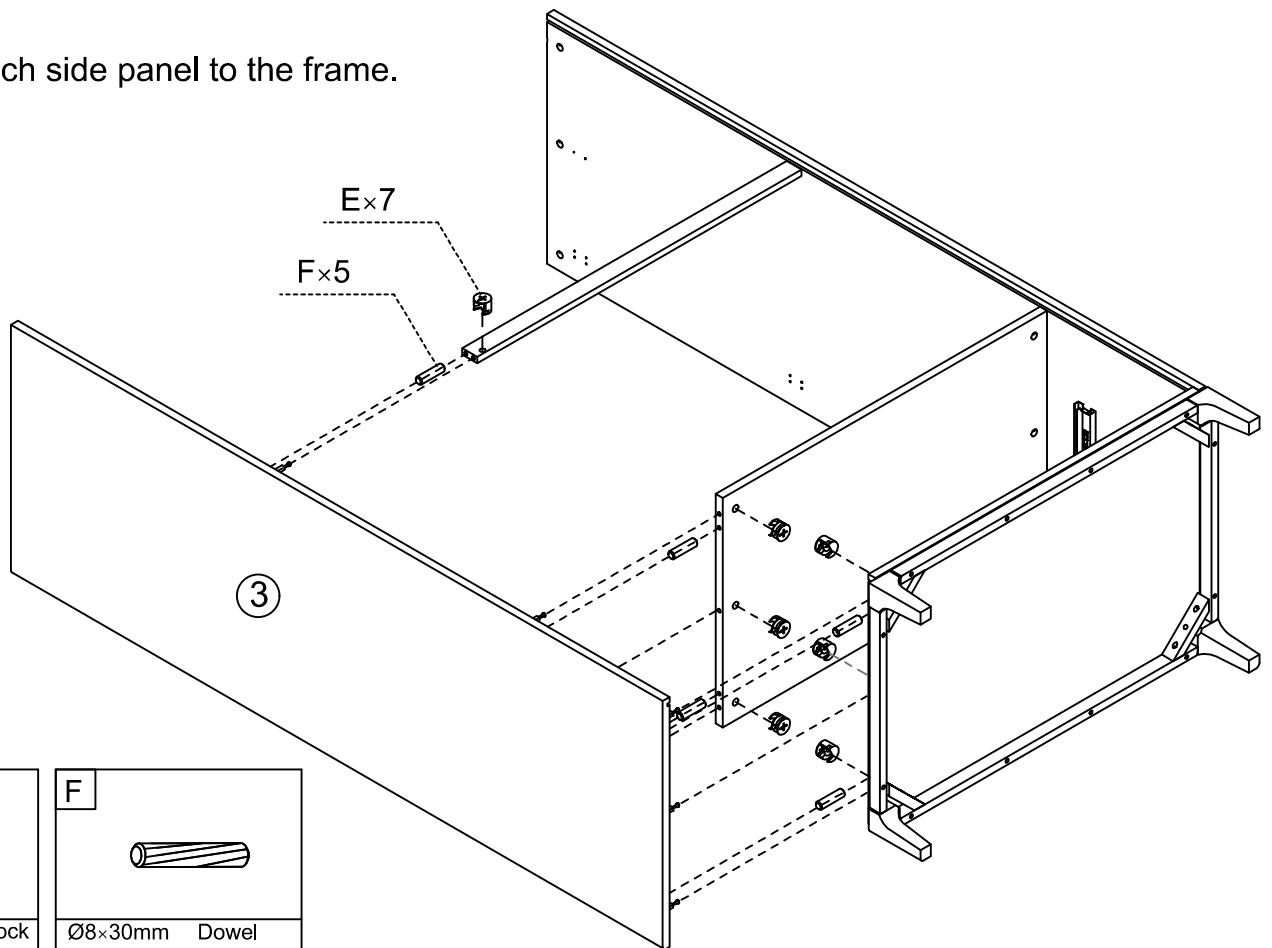
Step 6. Attach legs to the bottom panel.



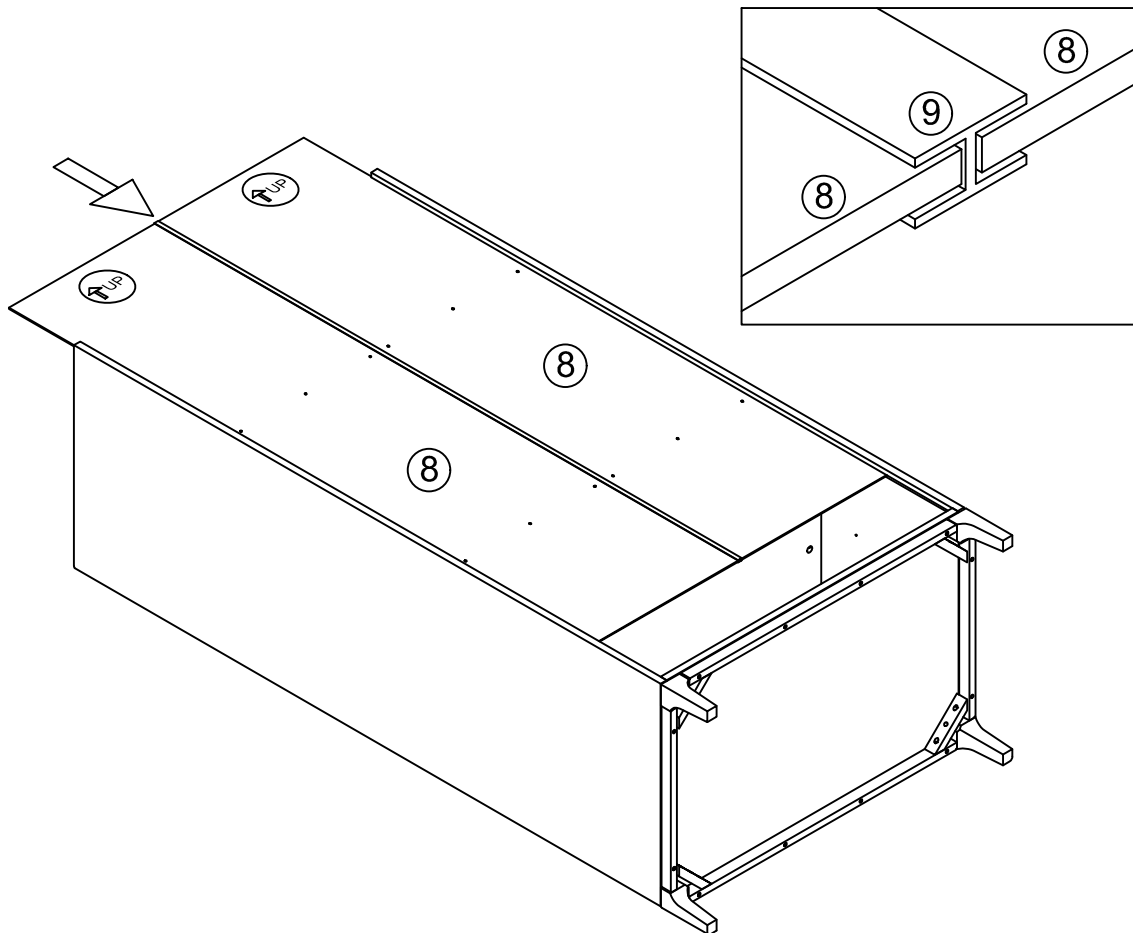
Step 7. Attach support rail, shelf and bottom to side panel.



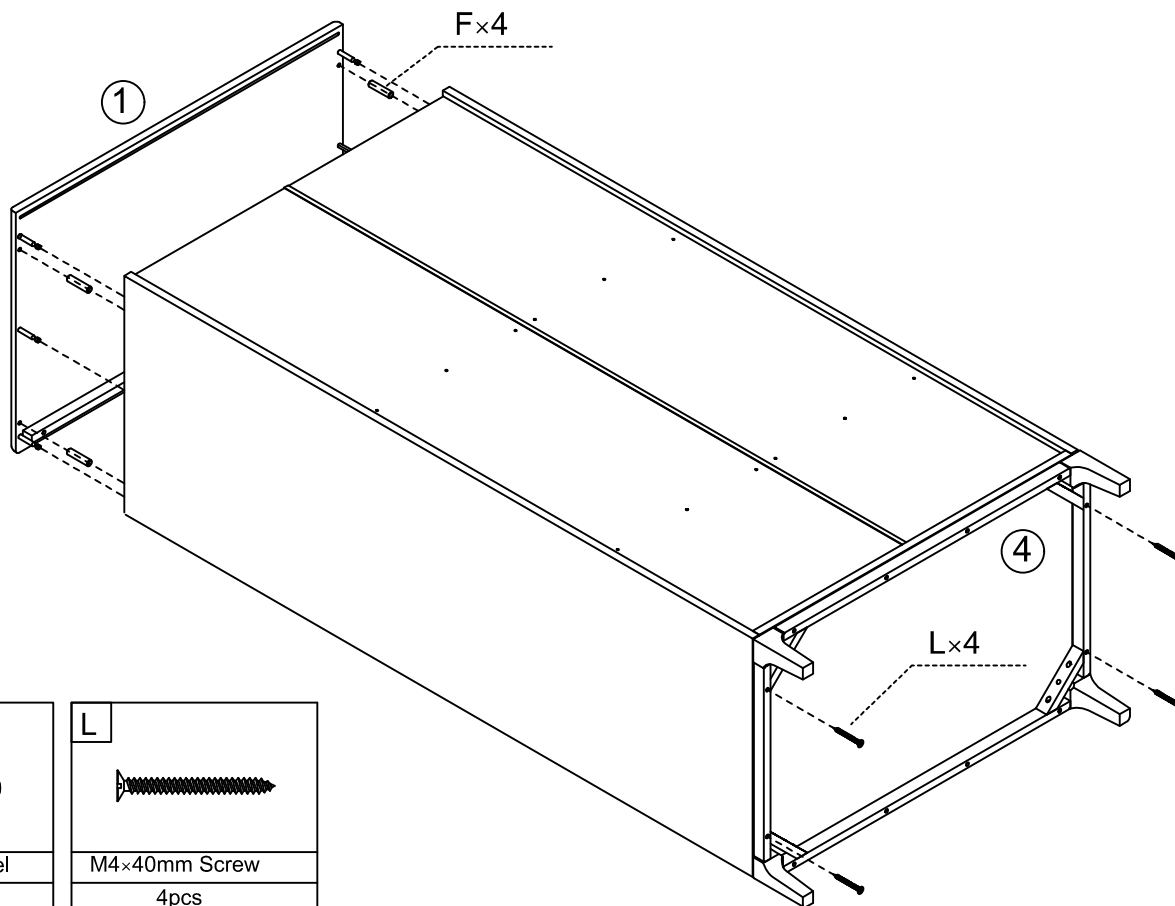
Step 8. Attach side panel to the frame.





Step 9. Assemble back panels.



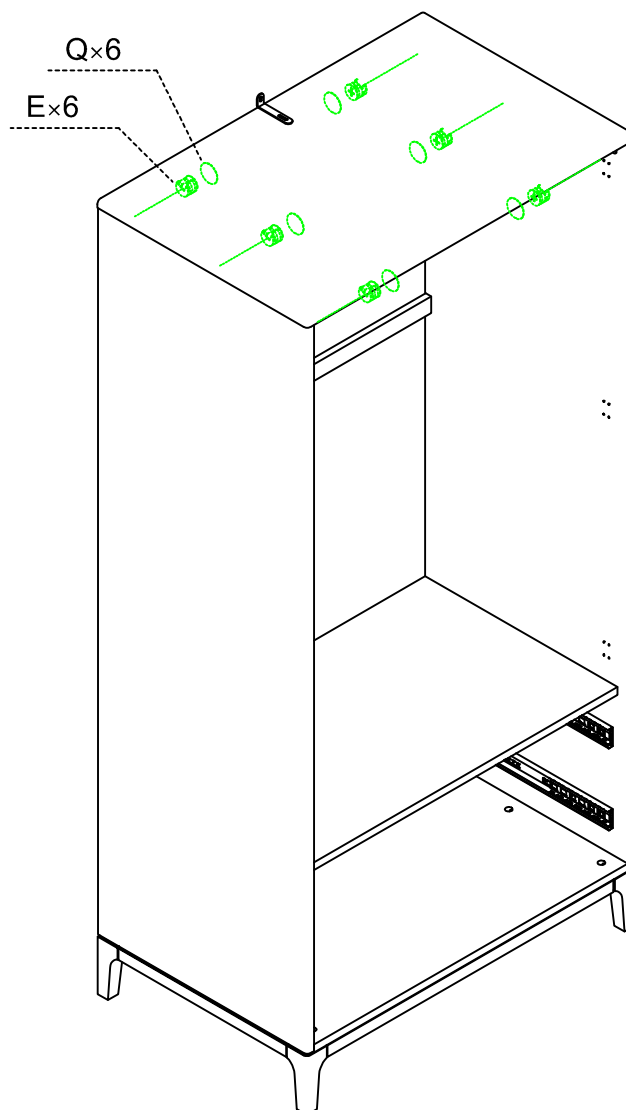
Step 10. Attach top panel and bottom panel to the frame.





F	
Ø8x30mm Dowel	
4pcs	

L	
M4x40mm Screw	
4pcs	

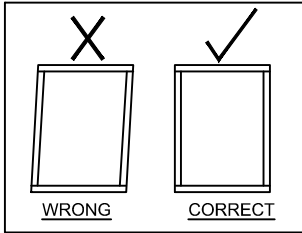
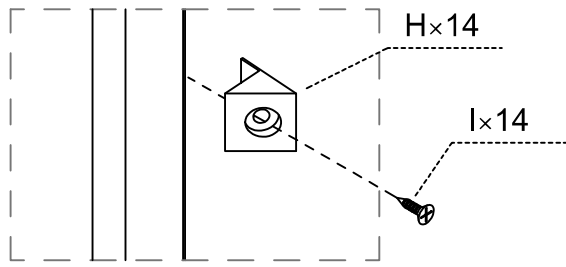
Step 11. Assemble the top panel.



E	
Ø15 x 9.5mm Cam Lock	
6pcs	

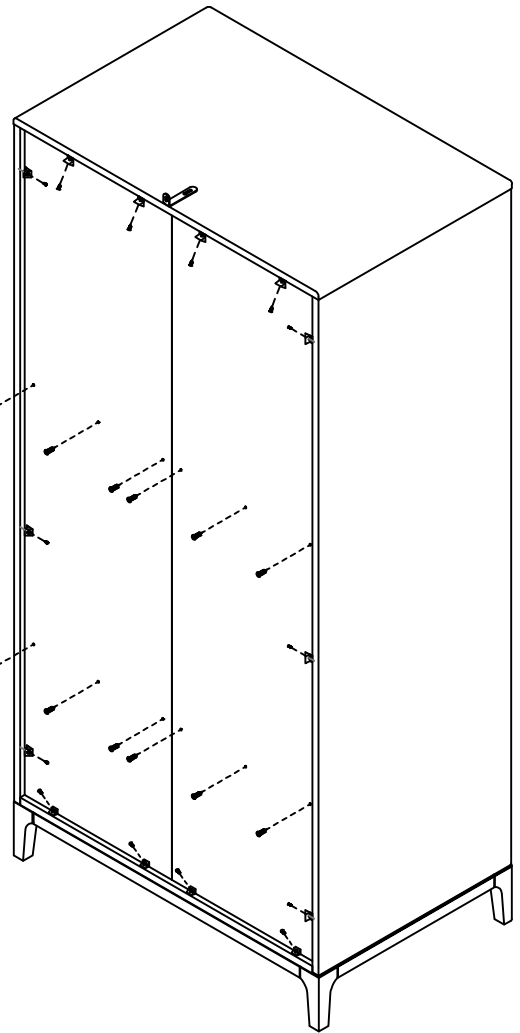
Q	
Cover	
6pcs	




Step 12. Attach the plastic buckles and screws.



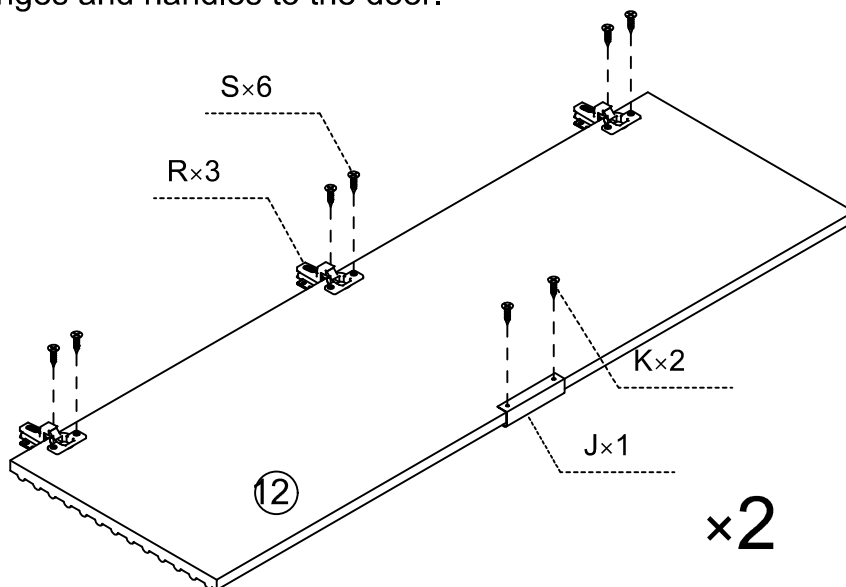
NB: Before tightening the plastic buckles and screws, please ensure the frame is square

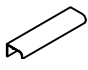

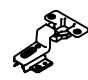

Mx12



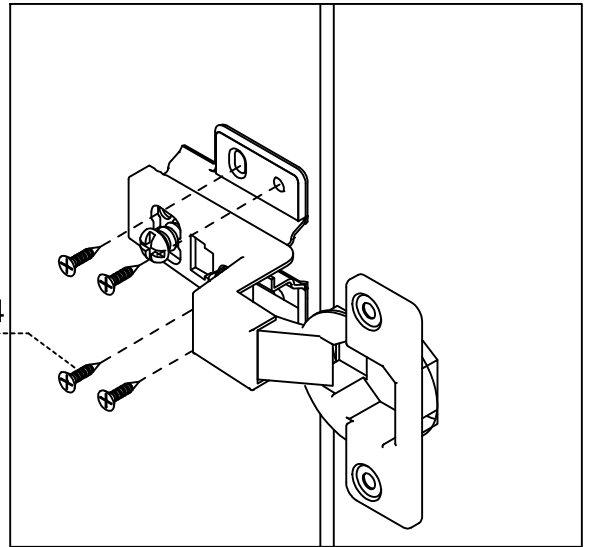
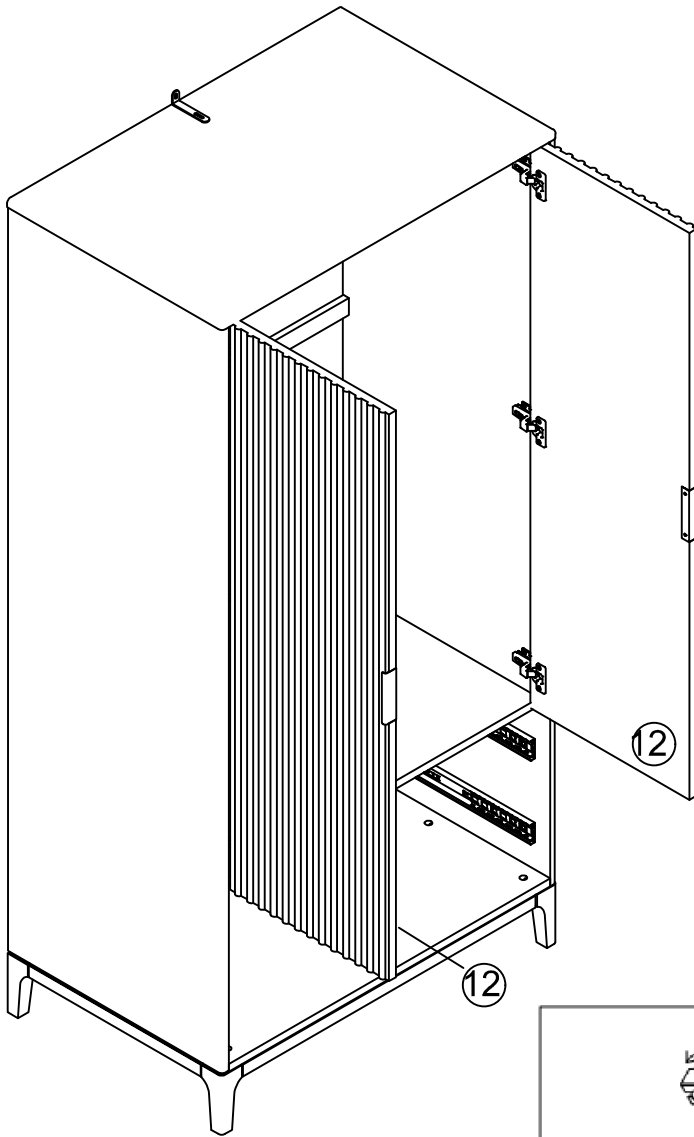
<p>H</p> 	<p>I</p> 	<p>M</p> 
<p>15x9mm Plastic Buckle 14pcs</p>	<p>M3.5x14mm Screw 14pcs</p>	<p>M4x16mm Screw 12pcs</p>

Step 13. Attach hinges and handles to the door.

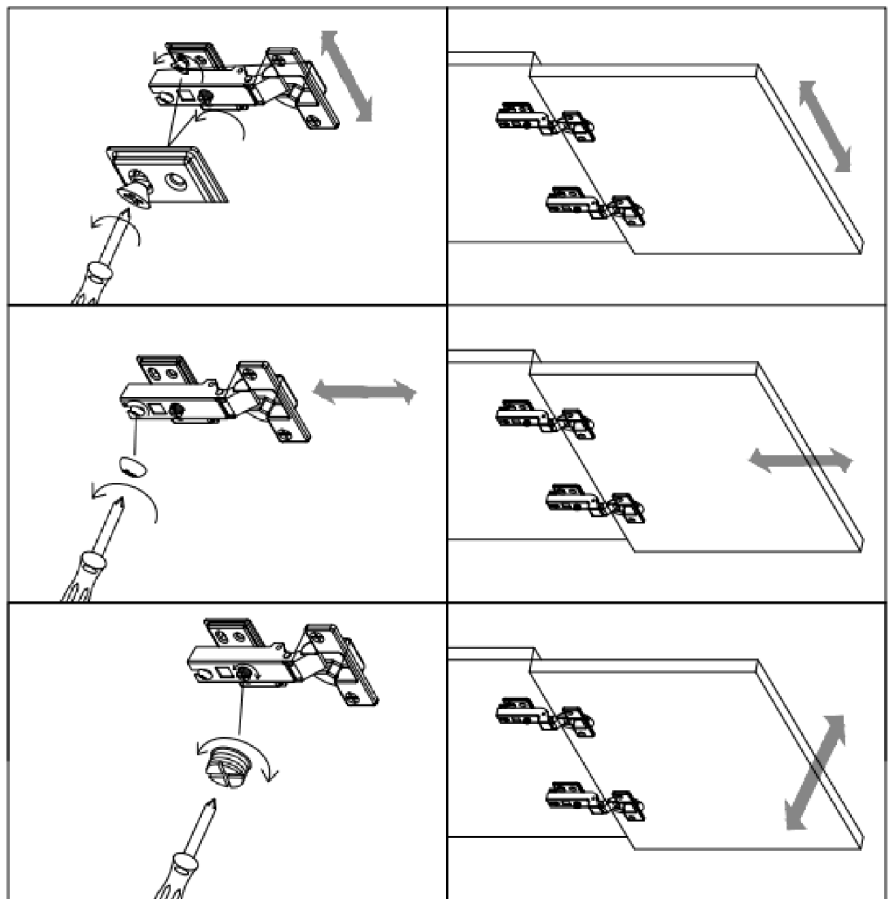



<p>J</p> 	<p>K</p> 	<p>R</p> 	<p>S</p> 
<p>Handle 2pcs</p>	<p>M3x14mm Screw 4pcs</p>	<p>Hinge 6pcs</p>	<p>M4x16mm Screw 12pcs</p>

Step 14. Attach doors to frame.

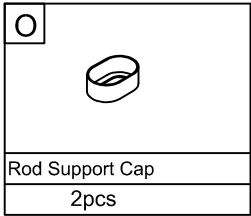
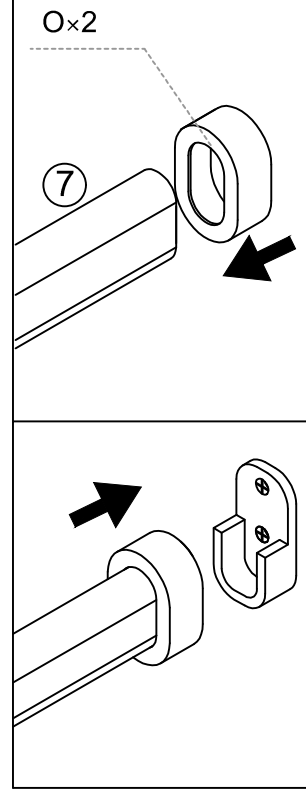
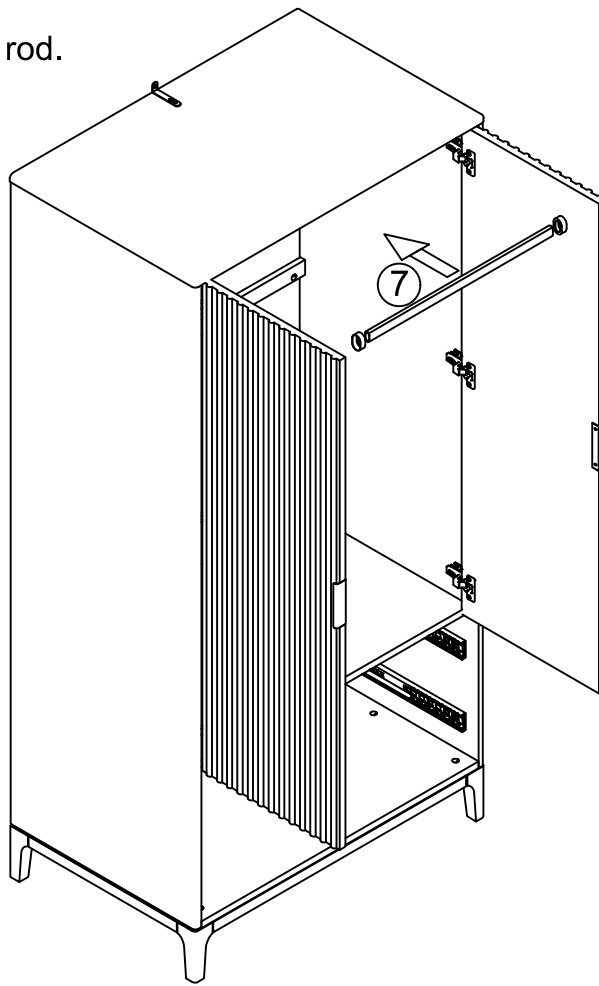


NB: Hinge Adjustment

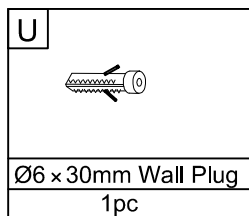
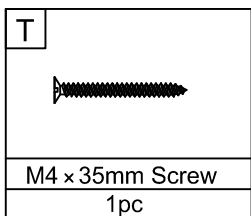
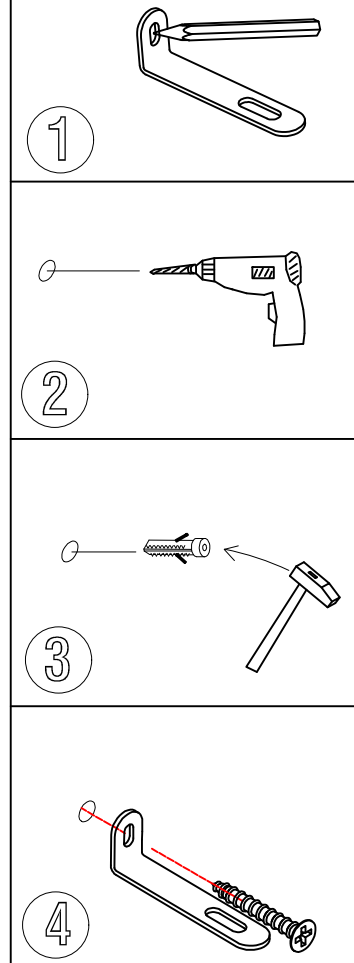
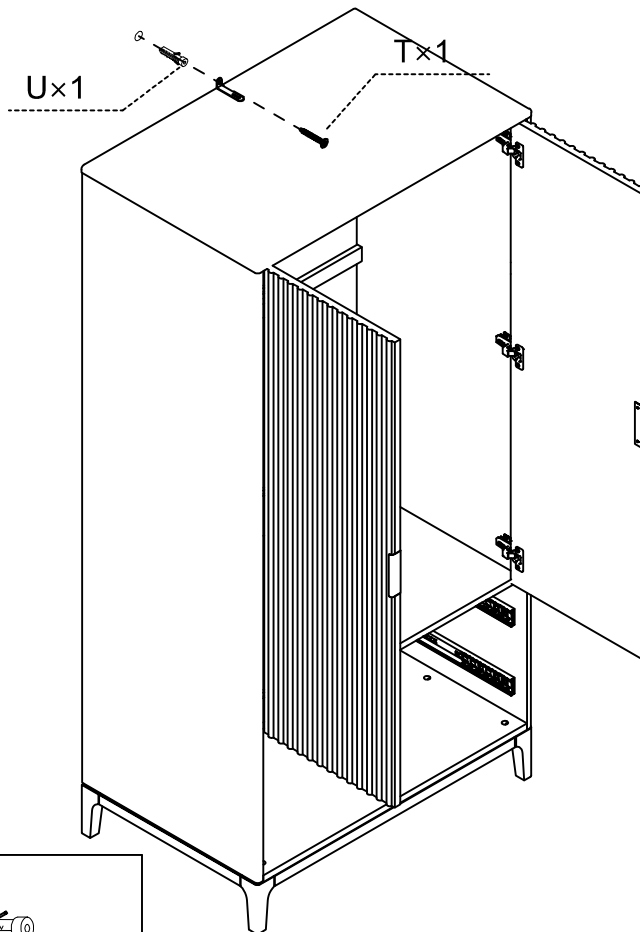


S

M4x16mm Screw
24pcs

Step 15. Assemble the hanger rod.



Step 16. Fix the L-shaped Bracket to the wall.



Step 17. Assemble drawers in the Wardrobe .

