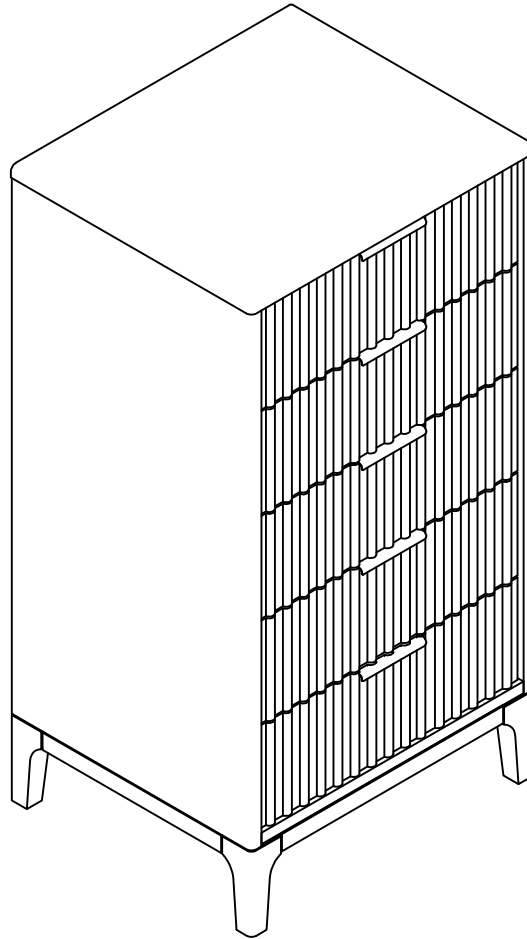
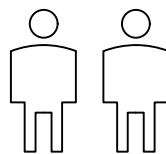


Elena Tall Chest



Up to 50 minutes
assembly time



Two person
assembly

V1.0

IMPORTANT

ASSEMBLY TIP

Before you begin, it's best to identify all of the parts and fittings to build your Elena Tall Chest frame. We advise laying these out on the floor to check you have everything, and to familiarise yourself with all of the parts and fittings before building.

TOP TIP

We recommend that you assemble the Elena Tall Chest in the room you'd like it to be located. This will help prevent any risk of damage to the frame whilst moving it.

SAFETY AND CARE

It's important to ensure children and animals are kept away from the assembly area, as there are small components used in this product which could present a choking hazard. All plastic and wrapping materials should also be kept away from children and animals to prevent any risk of suffocation.

HELP AND SUPPORT

Please contact our customer service team on 0113 519 0311 if you have any questions or issues with your purchase.

RECYCLING

Please ensure that packaging is disposed of in a safe and environmentally friendly way, and recycle where possible. Please keep your assembly instructions safe to refer back to in the future.

CARE AND MAINTENANCE:

1. Only clean using a damp cloth, do not use bleach or abrasive cleaners as they may damage the finish over time.
2. Do not use a very wet cloth or allow any liquid to contact with the veneer for a long period of time. Wipe any spillage immediately. Absorption can cause wood to warp or finishes to de-laminate.
3. Do not scrub or rub the surface when cleaning.
4. Do not drag the Elena Tall Chest when moving, lift it off the floor instead.
5. Use a placemat or a coaster when putting hot items (e.g. hot drinks and dishes) on the wood surface.
6. It is not recommended to place the item next to sources of heat such as radiators, fires or directly exposed to sunlight. This may cause the wood to crack, split or fade due to the heat and humidity.
7. Wood will mellow and change colour over time, we recommend that ornaments and items placed on the surface to be moved regularly to prevent uneven mellowing.
8. Regularly check all fixings to ensure none have come loose. Re-tighten if necessary.
9. Avoid sharp items such as a screwdriver or any pointy tools.
10. Dispose of all packaging carefully and responsibly - recycle where possible.

Parts list




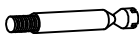


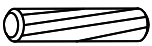







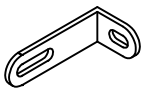


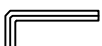
Before you begin building your Chest, please take a moment to read through the instructions and make sure that you have all the relevant parts listed on the parts check list.

Part Number	Part Description	Quantity
①	Top Panel	1pc
②	Left Side Panel	1pc
③	Right Side Panel	1pc
④	Bottom Panel	1pc
⑤	Front Support Rail	1pc
⑥	Back Support Rail	1pc
⑦	Back Panel	1pc

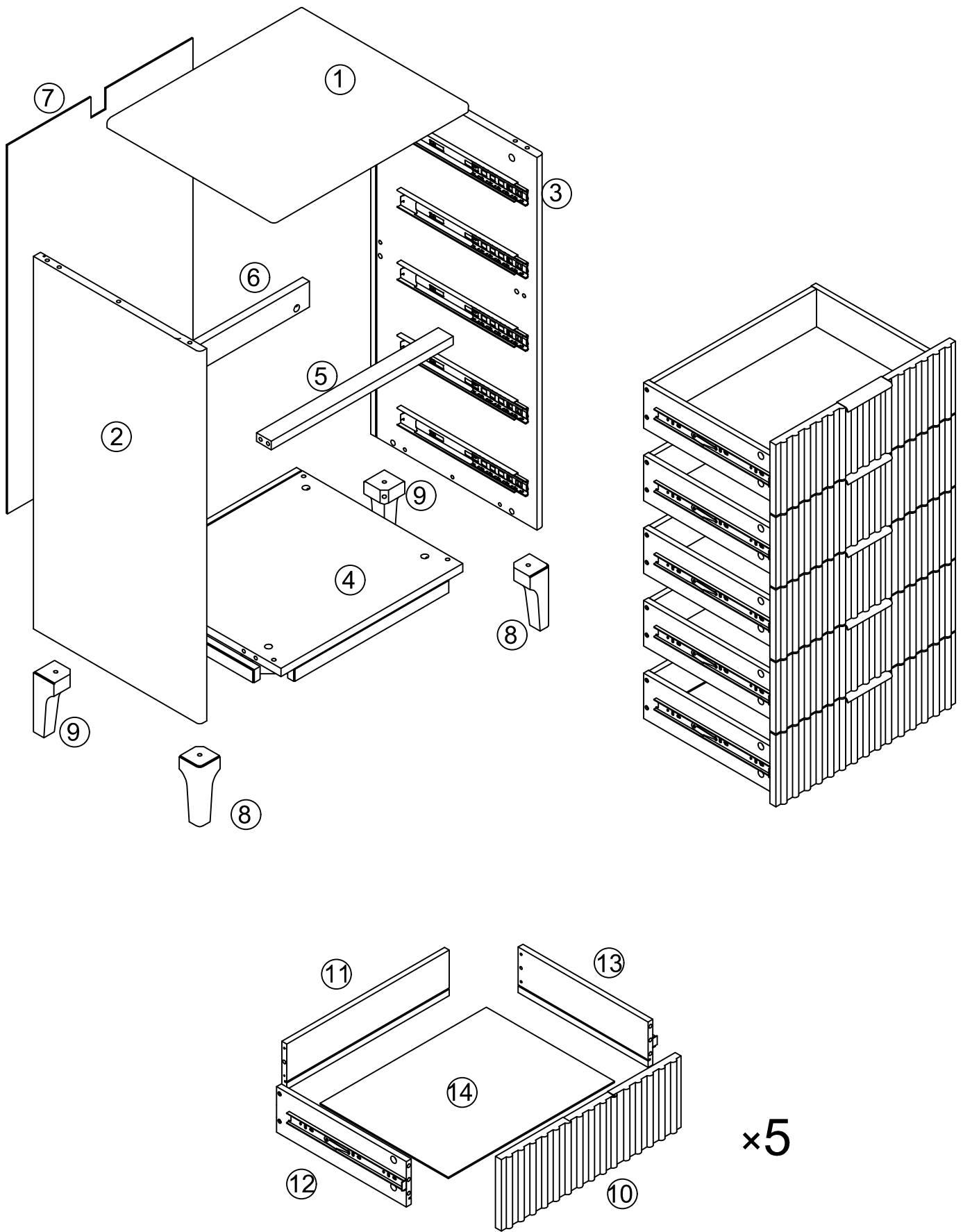
Part Number	Part Description	Quantity
⑧	Front Leg	2pcs
⑨	Back Leg	2pcs
⑩	Drawer Front	5pcs
⑪	Drawer Back Side	5pcs
⑫	Drawer Left Side	5pcs
⑬	Drawer Right Side	5pcs
⑭	Drawer Bottom	5pcs

Fittings

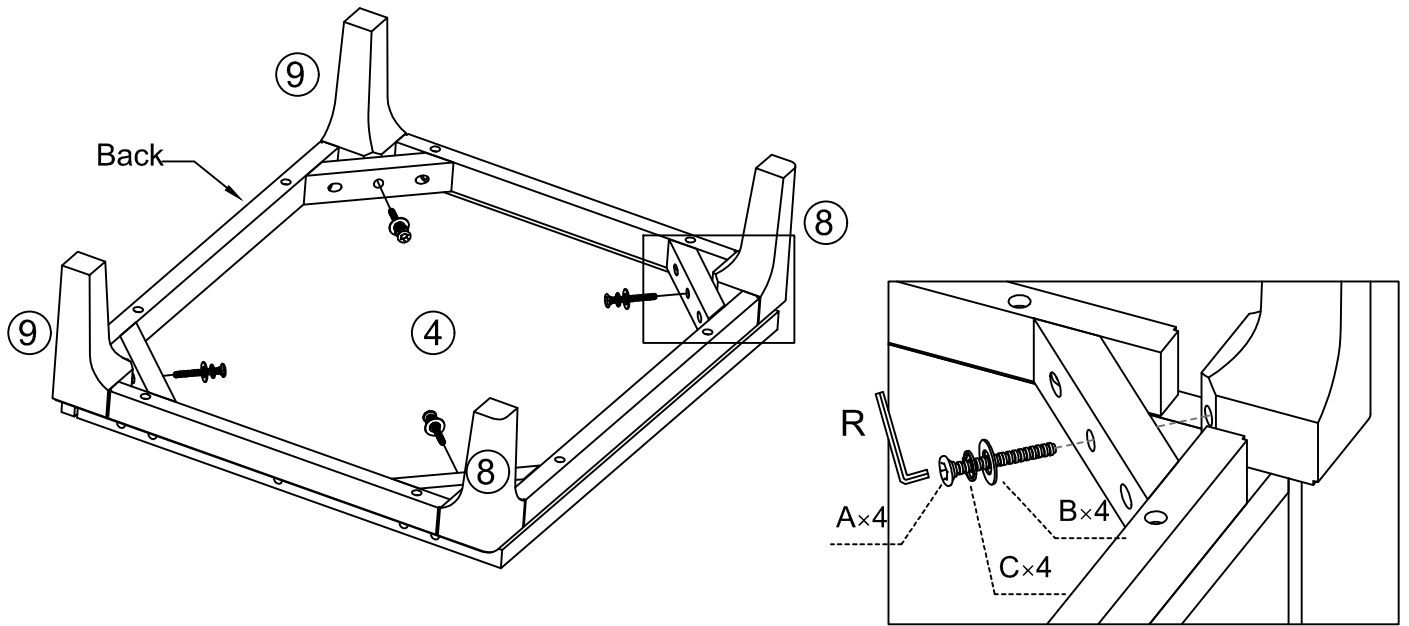
Please check you have all the fittings listed below with your product.


<p>A</p>  <p>M6x45mm Bolt 4pcs</p>	<p>B</p>  <p>Ø6 Flat Washer 4pcs</p>	<p>C</p>  <p>Ø6 Spring Washer 4pcs</p>	<p>D</p>  <p>M6x35mm Bolt 32pcs+2pcs extra</p>	<p>E</p>  <p>Ø15x9.5mm Cam Lock 32pcs+2pcs extra</p>
<p>F</p>  <p>Cover 20pcs+2pcs extra</p>	<p>G</p>  <p>Ø8x30mm Dowel 16pcs+1pc extra</p>	<p>H</p>  <p>Ø6x30mm Dowel 20pcs+2pcs extra</p>	<p>I</p>  <p>15x9mm Plastic Buckle 10pcs+1pc extra</p>	<p>J</p>  <p>M3.5x14mm Screw 10pcs+1pc extra</p>
<p>K</p>  <p>Handle 5pcs</p>	<p>L</p>  <p>M3x14mm Screw 10pcs+1pc extra</p>	<p>M</p>  <p>M4x40mm Screw 4pcs</p>	<p>N</p>  <p>M4x35mm Screw 21pcs+2pcs extra</p>	<p>O</p>  <p>Wall Bracket 1pc</p>
<p>P</p>  <p>M4x16mm Screw 1pc</p>	<p>Q</p>  <p>Ø6 x 30mm Wall Plug 1pc</p>	<p>R</p>  <p>M4 Allen key 1pc</p>		


Parts




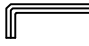
Step 1. Attach Legs to the bottom.



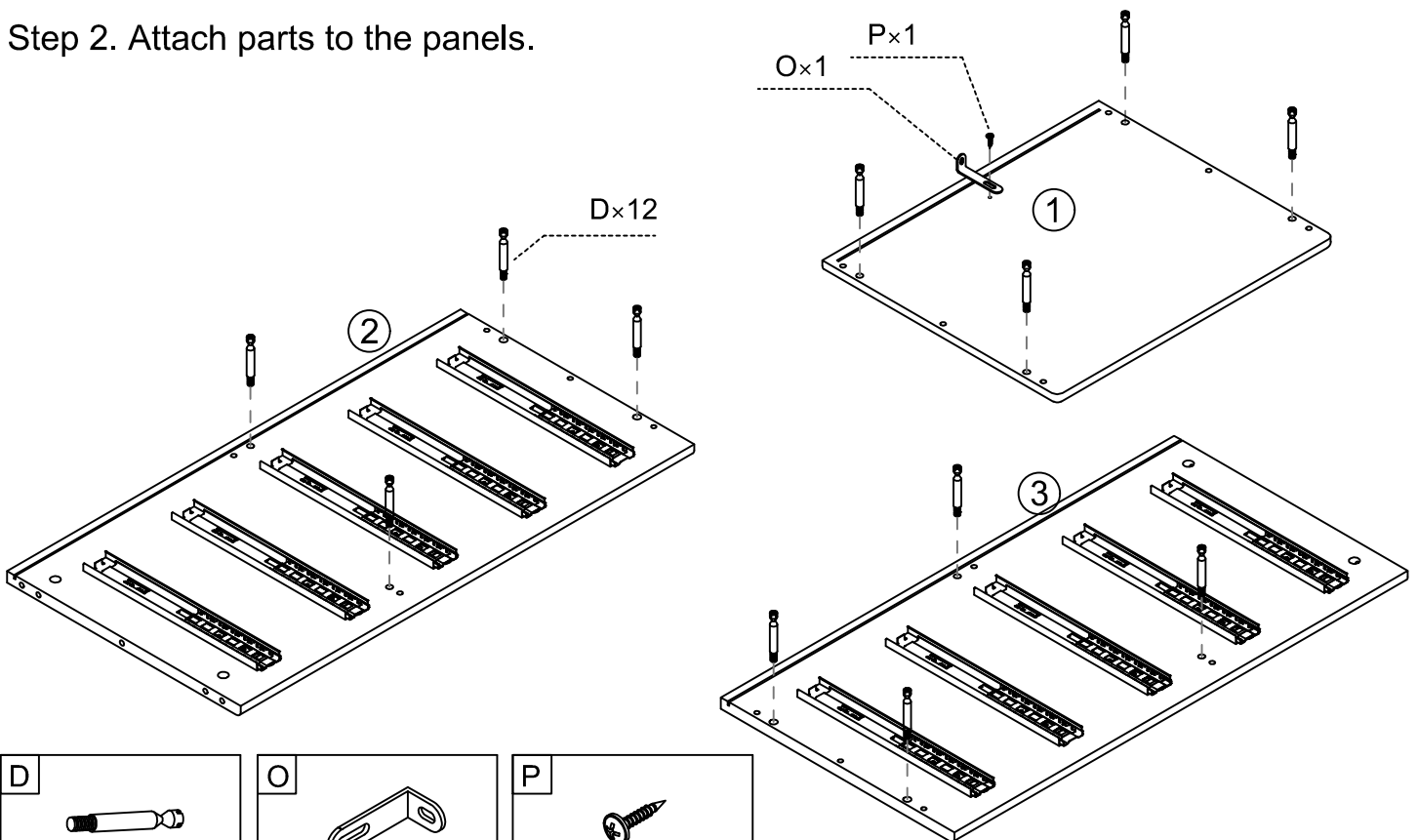
A	
M6 x 45mm Bolt	
4pcs	

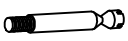
B	
Ø6 Flat Washer	
4pcs	

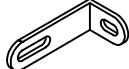
C	
Ø6 Spring Washer	
4pcs	


R	
M4 Allen key	
1pc	

Step 2. Attach parts to the panels.

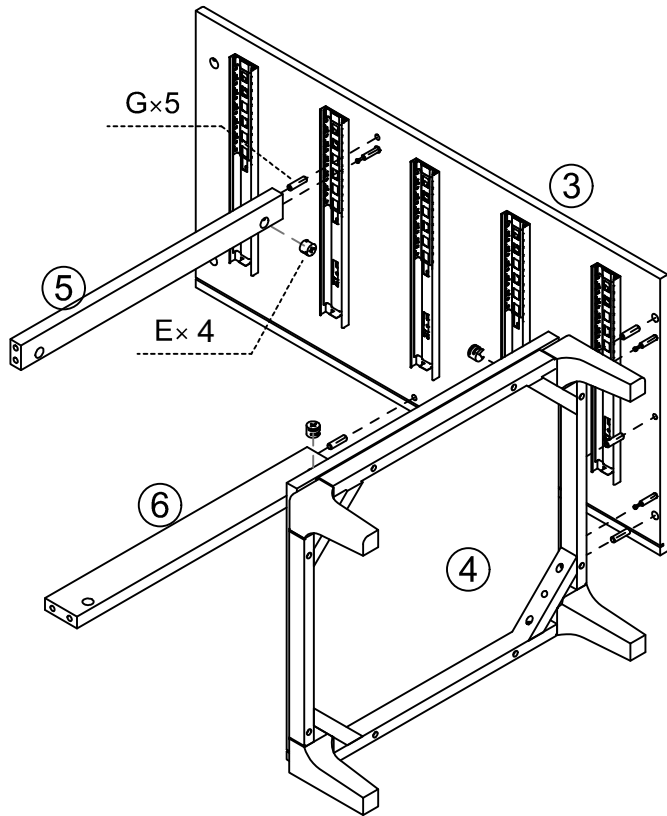
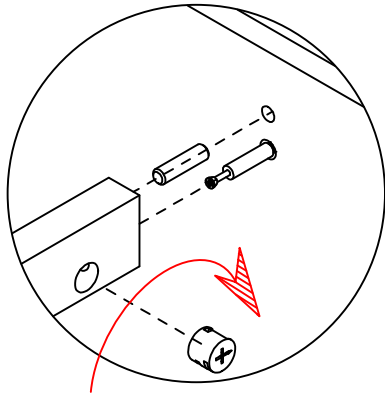


D	
M6 x 35mm Bolt	
12pcs	

O	
Wall Bracket	
1pc	

P	
M4 x 16mm Screw	
1pc	

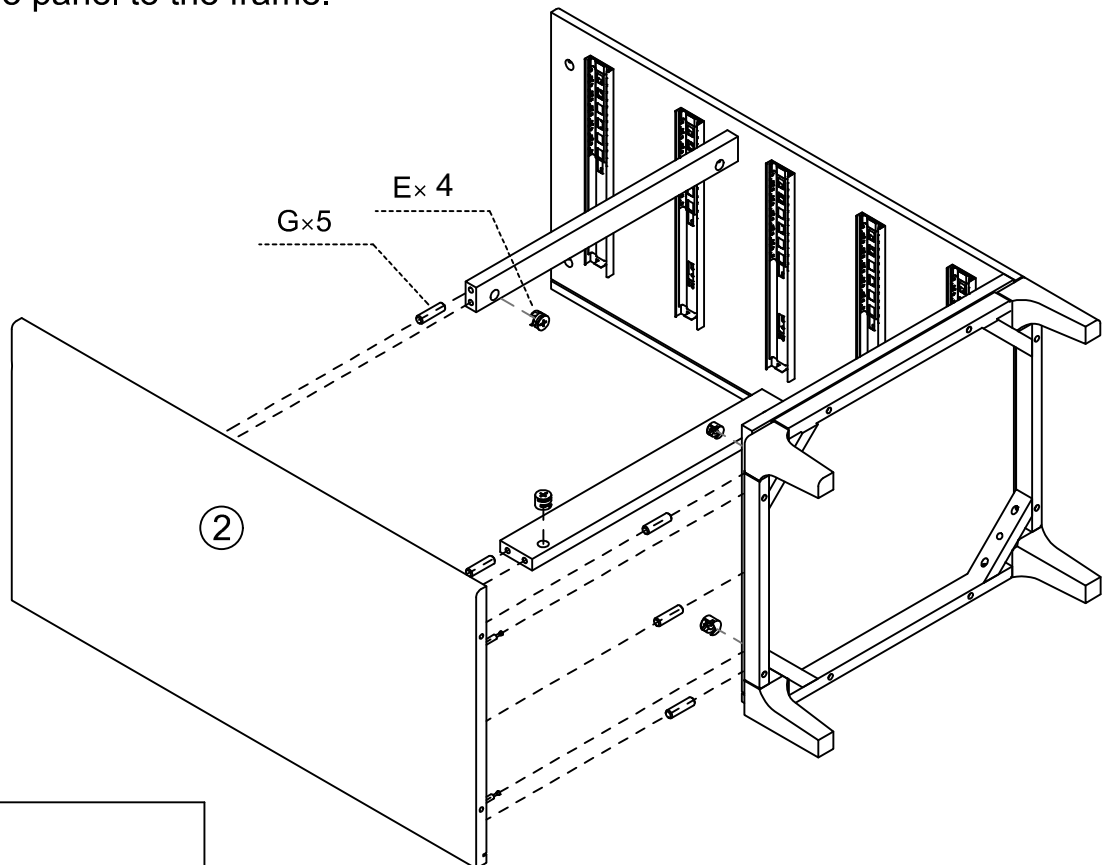
Step 3. Attach support rails and bottom panel to side panel.



E	
Ø15 x 9.5mm Cam Lock	
4pcs	

G	
Ø8 x 30mm Dowel	
5pcs	

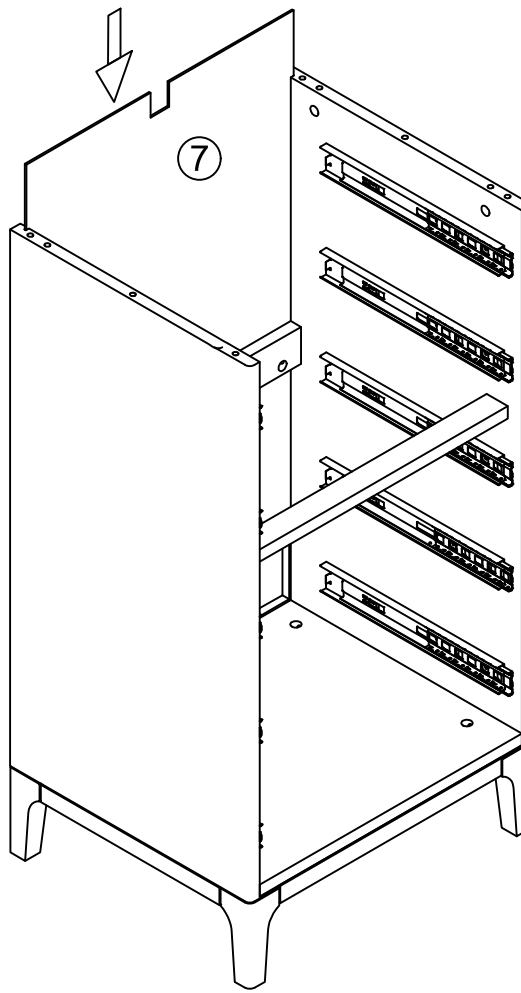
Step 4. Attach side panel to the frame.



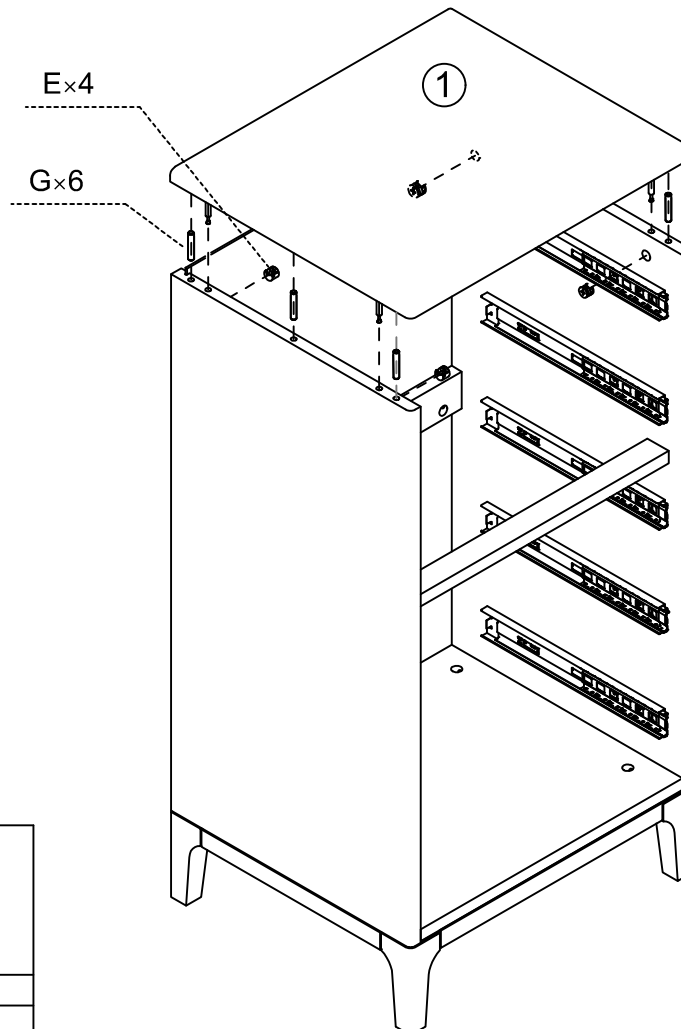
E	
Ø15 x 9.5mm Cam Lock	
4pcs	


G	
Ø8 x 30mm Dowel	
5pcs	


Step 5. Assemble back panel.



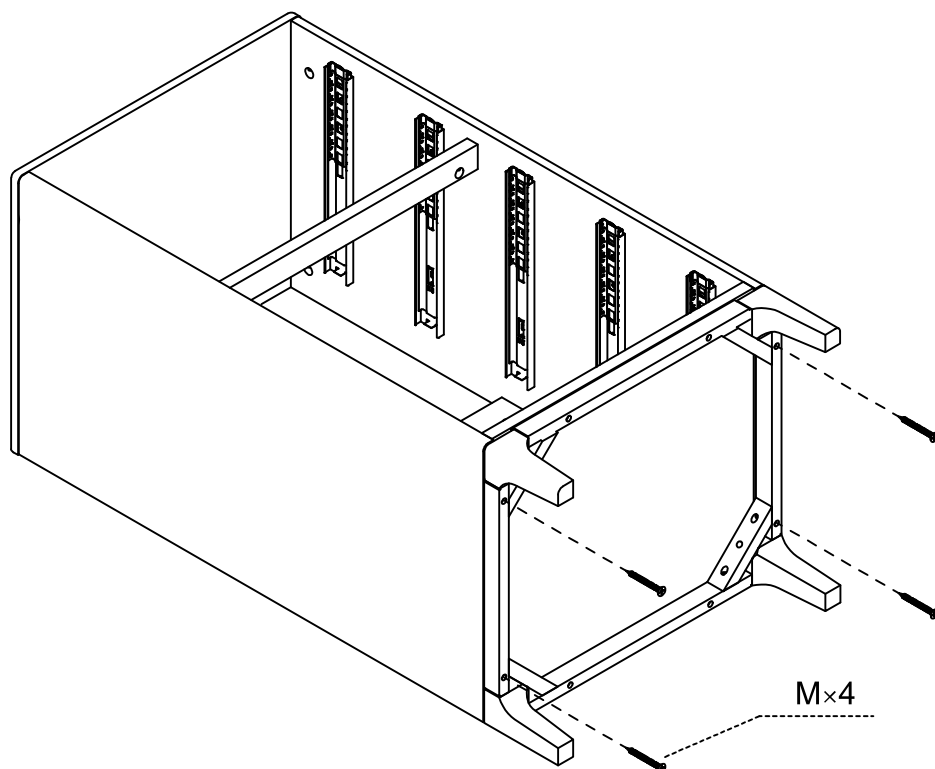
Step 6. Attach the top panel to the frame.




E	
Ø15 x 9.5mm Cam Lock	
4pcs	

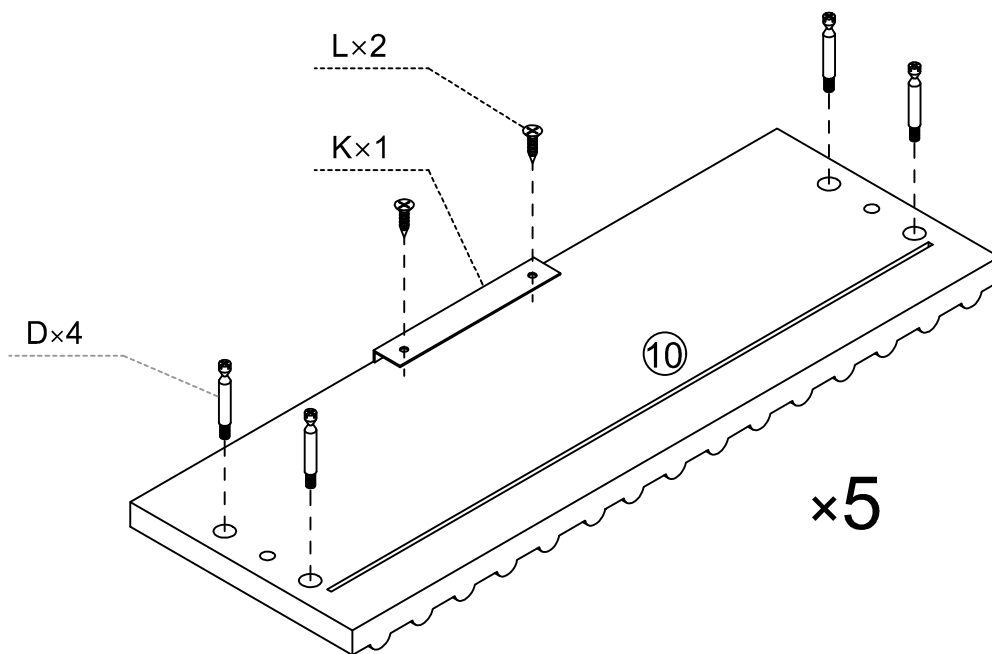
G	
Ø8x30mm Dowel	
6pcs	

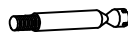
Step 7. Attach screws to the bottom.





M	
M4x40mm Screw	
4pcs	

Step 8. Attach handle to the drawer front.

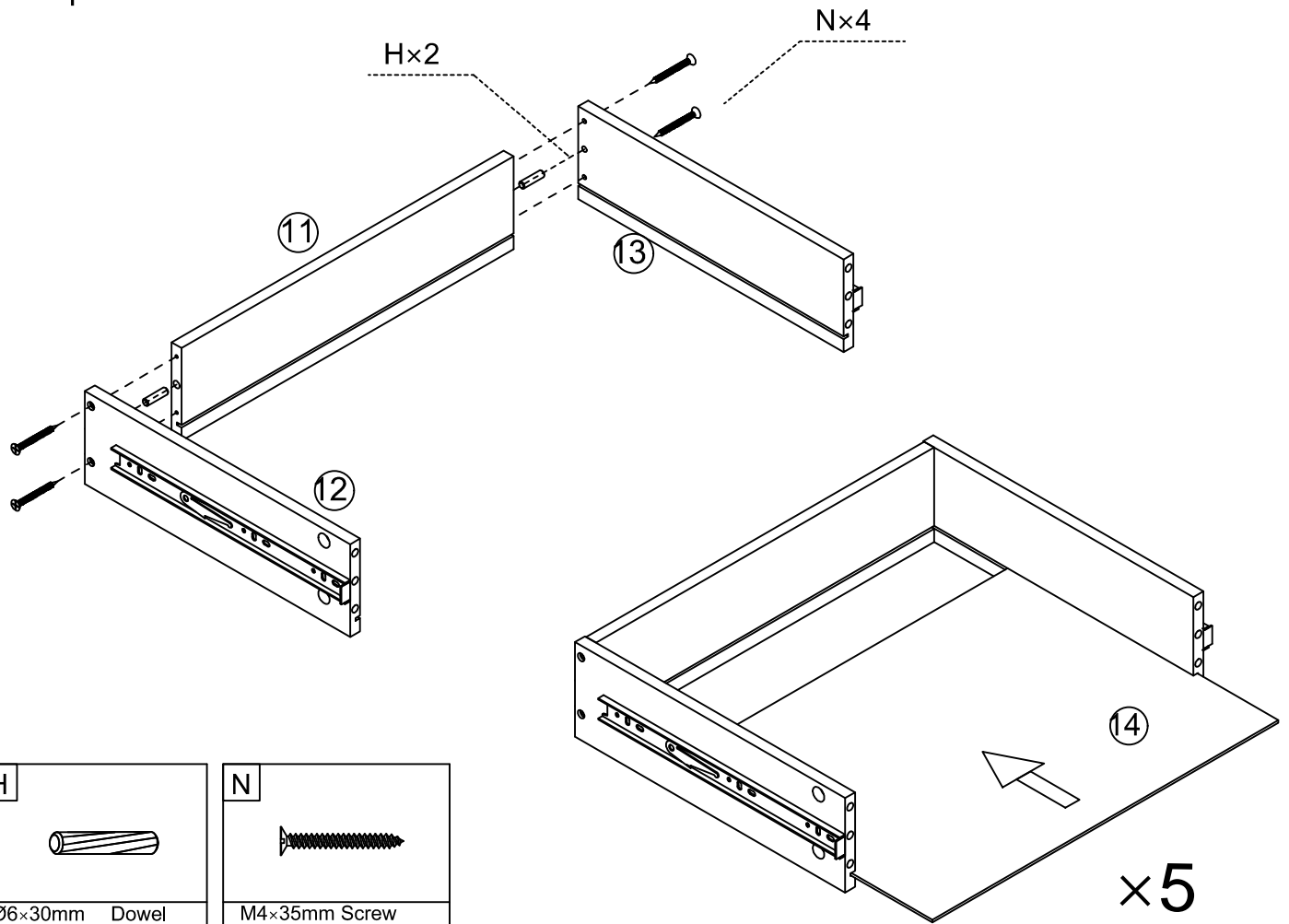



D	
M6 x 35mm Bolt	
20pcs	


K	
Handle	
5pcs	

L	
M3x14mm Screw	
10pcs	

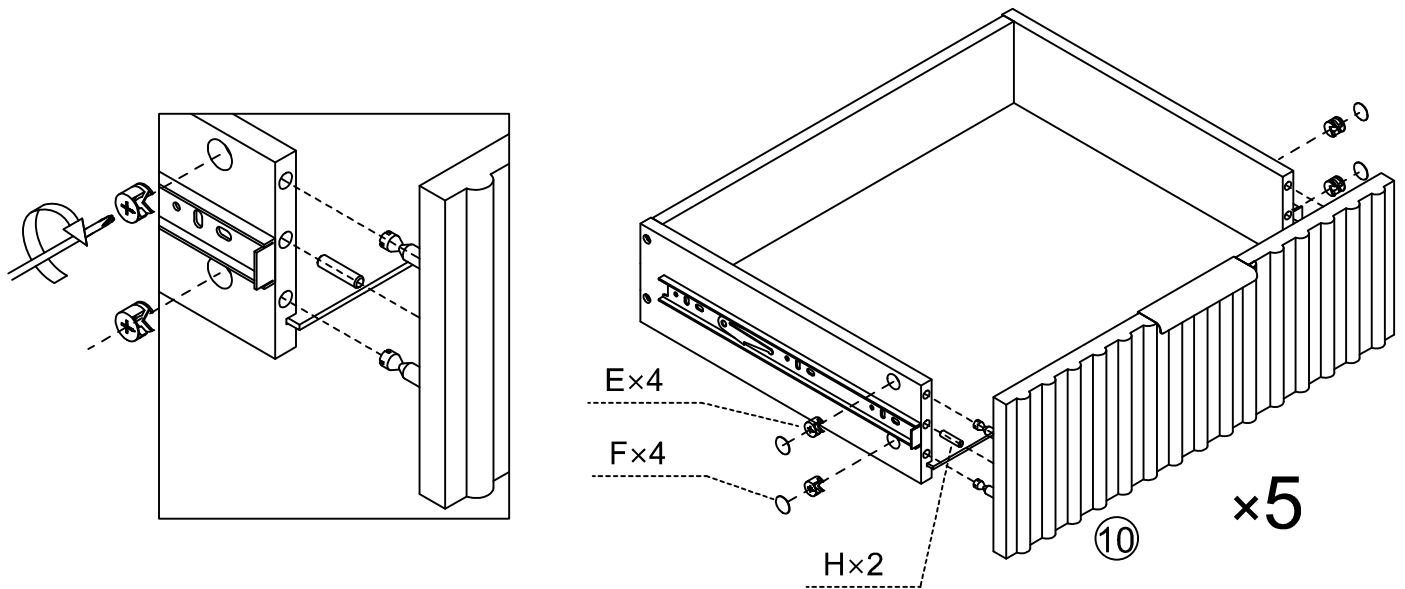
Step 9. Assemble drawers.





H	
Ø6×30mm Dowel	
10pcs	


N	
M4×35mm Screw	
20pcs	

Step 10. Assemble drawer front.

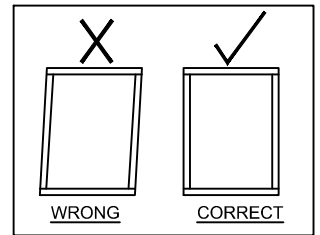
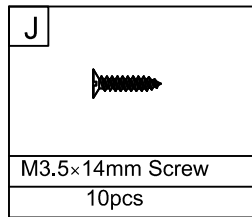
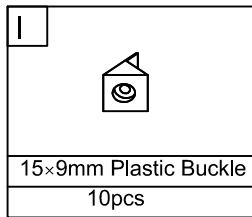
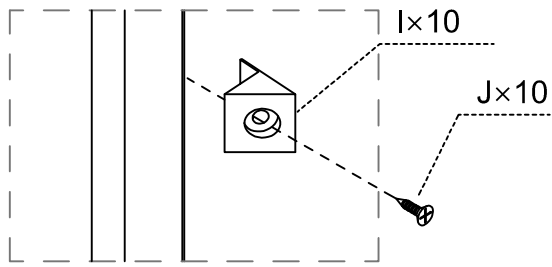
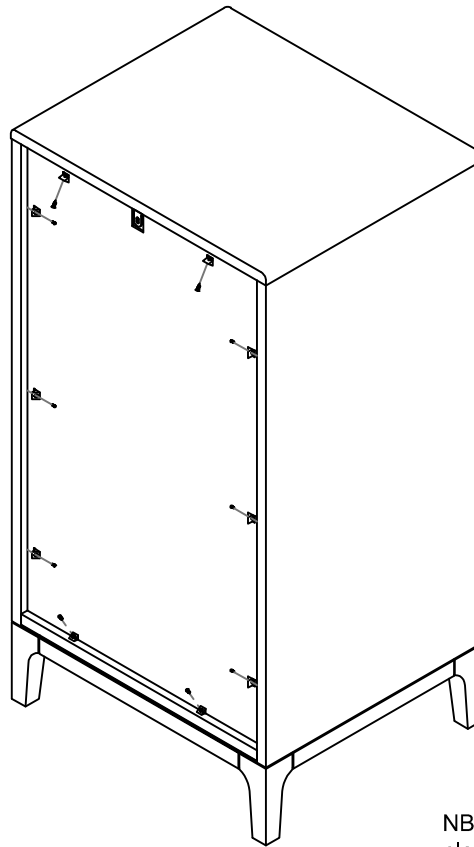


E	
Ø15 × 9.5mm Cam Lock	
20pcs	

F	
Cover	
20pcs	

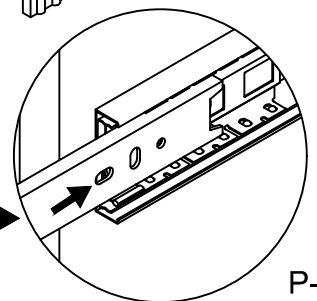
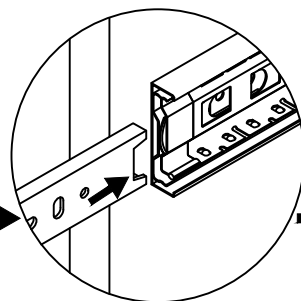
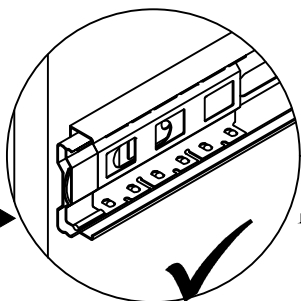
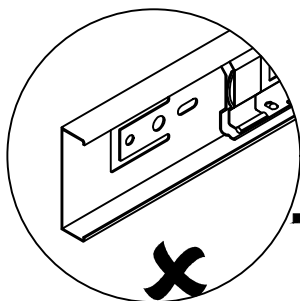
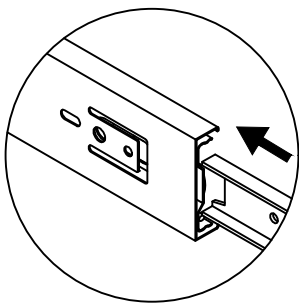
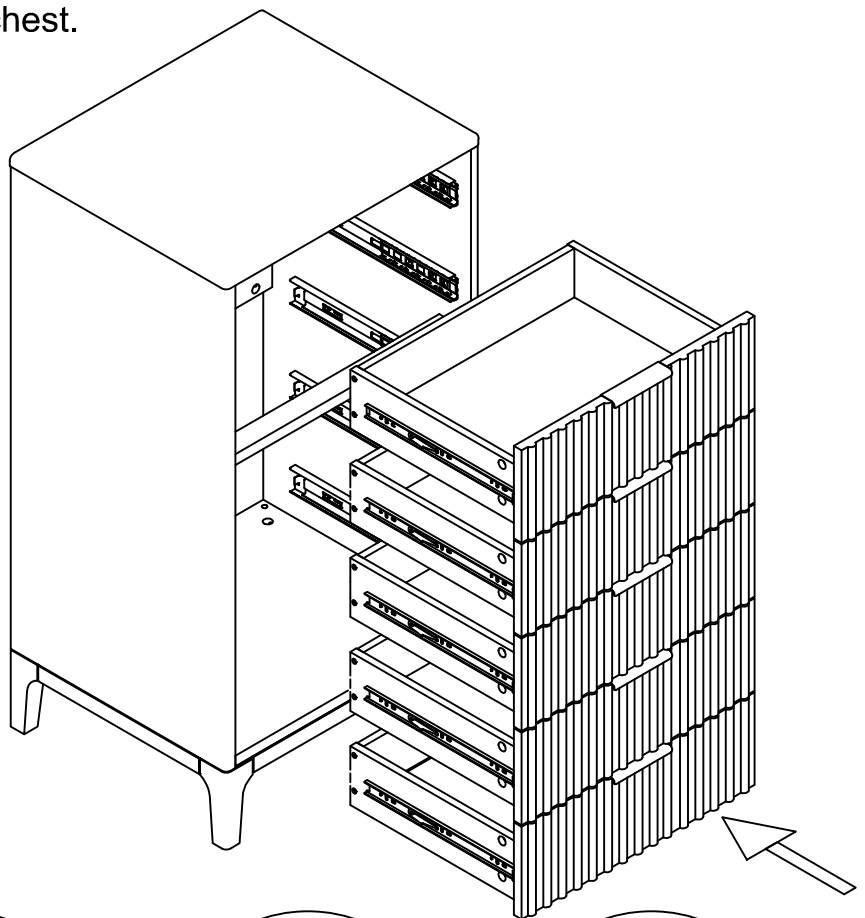
H	
Ø6×30mm Dowel	
10pcs	

Step 11. Attach the plastic buckles.

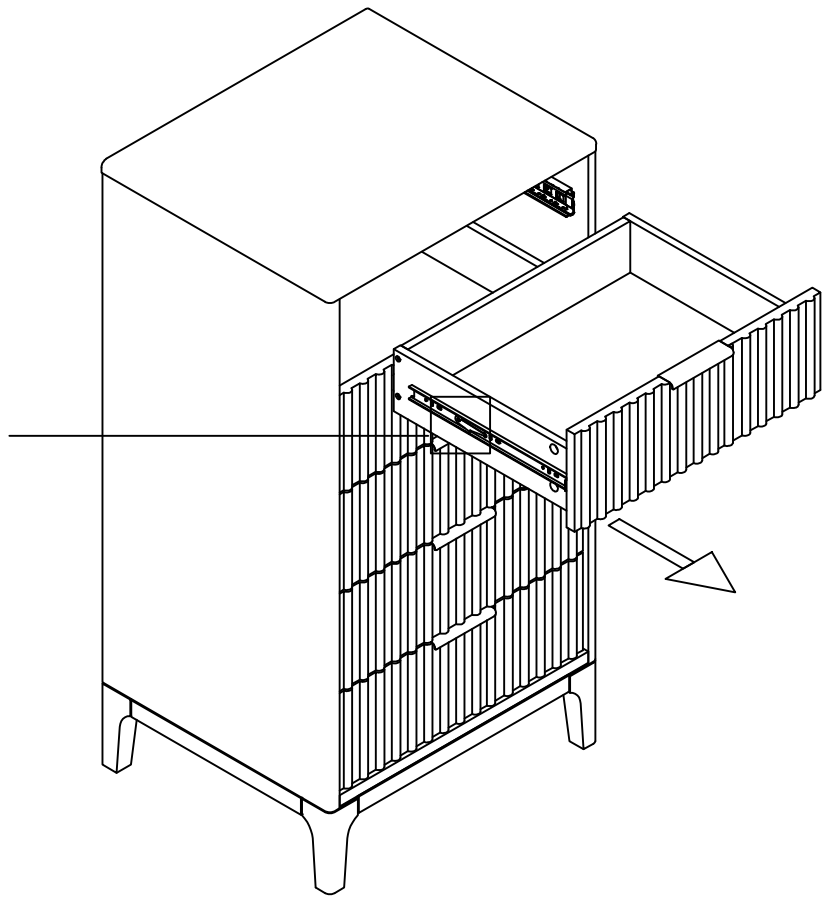
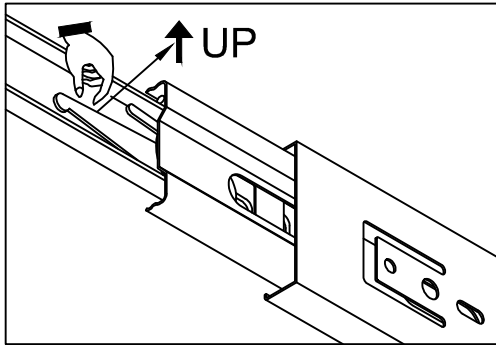
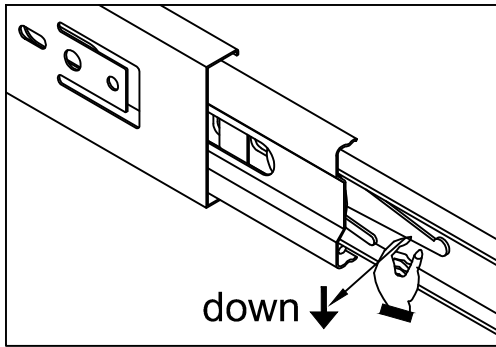


NB: Before tightening the plastic buckles, please ensure the frame is square

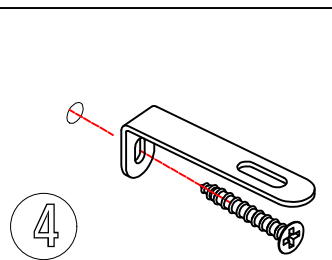
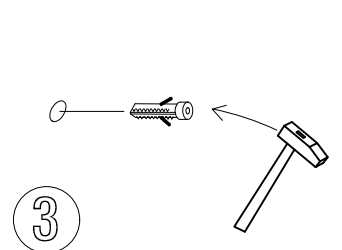
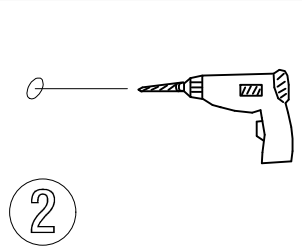
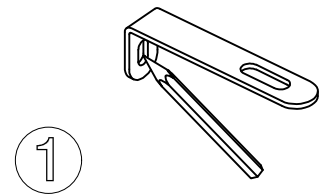
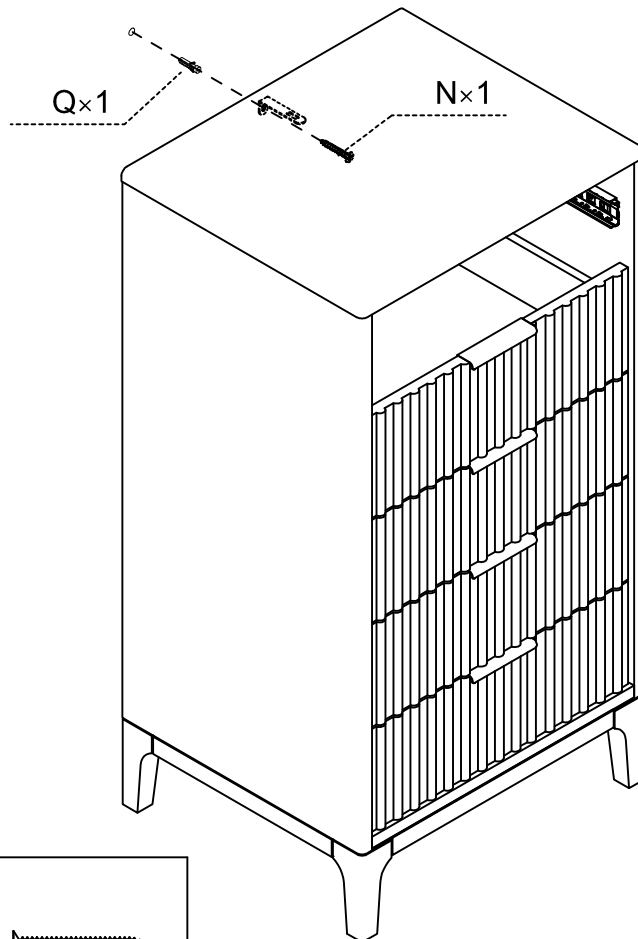
Step 12. Assemble drawers in the chest.





Step 13. Take out the drawer.



Step 14. Fix the L-shaped Bracket to the wall.



Q	
Ø6 x 30mm Wall Plug	
1pc	

N	
M4 x 35mm Screw	
1pc	

Step 15. Assemble drawers in the chest.

