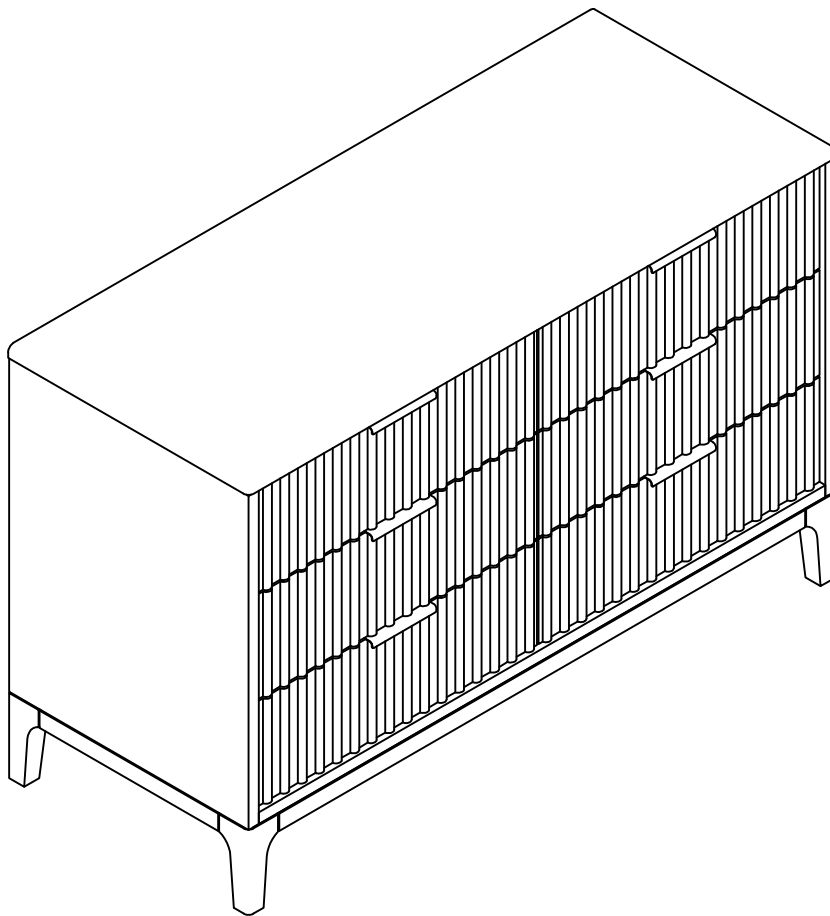
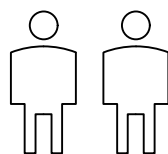


Elena Large Chest



Up to 50 minutes
assembly time



Two person
assembly

V2.0

IMPORTANT

ASSEMBLY TIP

Before you begin, it's best to identify all of the parts and fittings to build your Elena Large Chest frame. We advise laying these out on the floor to check you have everything, and to familiarise yourself with all of the parts and fittings before building.

TOP TIP

We recommend that you assemble the Elena Large Chest in the room you'd like it to be located. This will help prevent any risk of damage to the frame whilst moving it.

SAFETY AND CARE

It's important to ensure children and animals are kept away from the assembly area, as there are small components used in this product which could present a choking hazard. All plastic and wrapping materials should also be kept away from children and animals to prevent any risk of suffocation.

HELP AND SUPPORT

Please contact our customer service team on 0113 519 0311 if you have any questions or issues with your purchase.

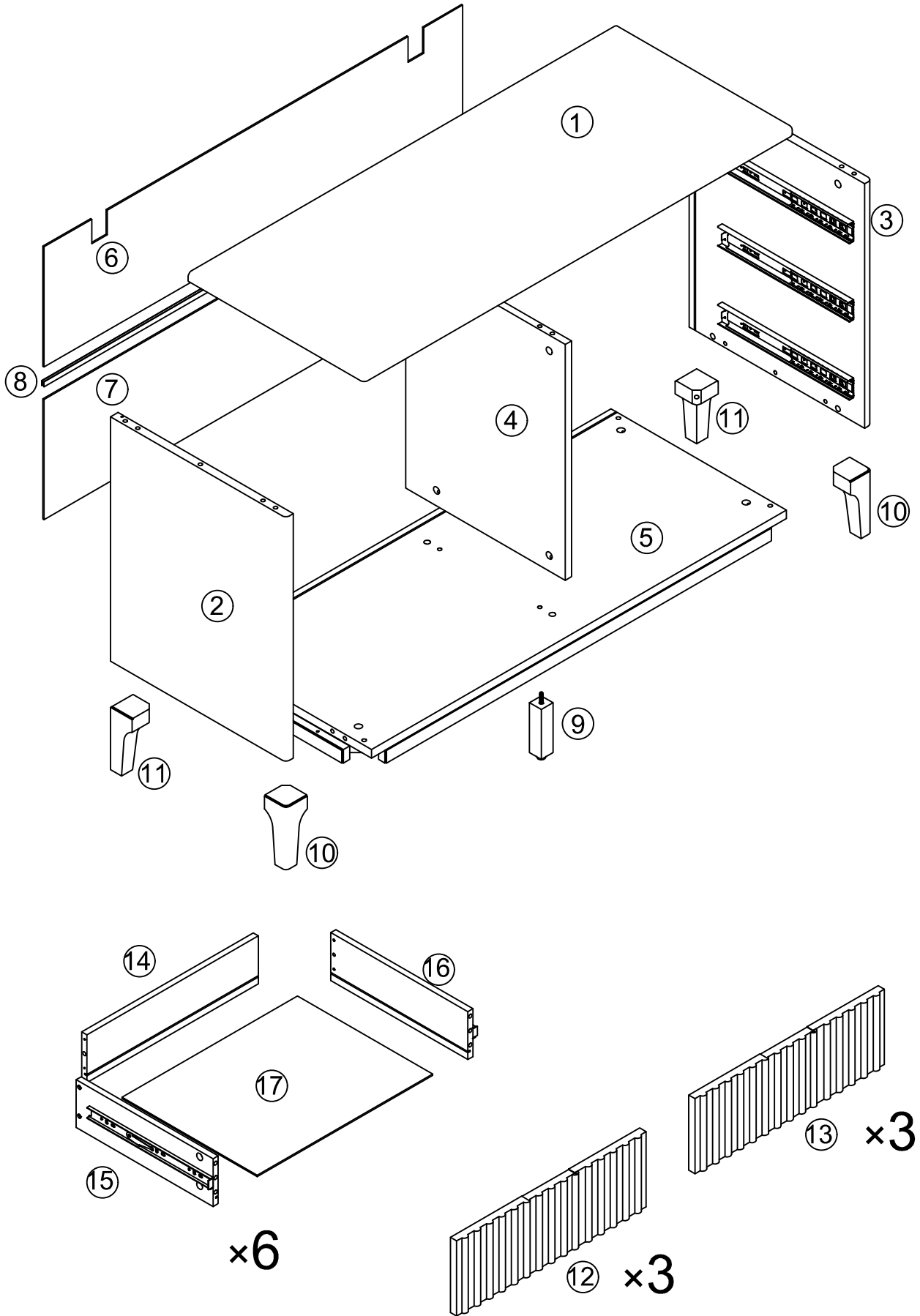
RECYCLING

Please ensure that packaging is disposed of in a safe and environmentally friendly way, and recycle where possible. Please keep your assembly instructions safe to refer back to in the future.

CARE AND MAINTENANCE:

1. Only clean using a damp cloth, do not use bleach or abrasive cleaners as they may damage the finish over time.
2. Do not use a very wet cloth or allow any liquid to contact with the veneer for a long period of time. Wipe any spillage immediately. Absorption can cause wood to warp or finishes to de-laminate.
3. Do not scrub or rub the surface when cleaning.
4. Do not drag the Elena Large Chest when moving, lift it off the floor instead.
5. Use a placemat or a coaster when putting hot items (e.g. hot drinks and dishes) on the wood surface.
6. It is not recommended to place the item next to sources of heat such as radiators, fires or directly exposed to sunlight. This may cause the wood to crack, split or fade due to the heat and humidity.
7. Wood will mellow and change colour over time, we recommend that ornaments and items placed on the surface to be moved regularly to prevent uneven mellowing.
8. Regularly check all fixings to ensure none have come loose. Re-tighten if necessary.
9. Avoid sharp items such as a screwdriver or any pointy tools.
10. Dispose of all packaging carefully and responsibly - recycle where possible.

Parts



Parts list




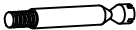


Before you begin building your Chest, please take a moment to read through the instructions and make sure that you have all the relevant parts listed on the parts check list.







| Part Number | Part Description | Quantity | Box No |
|-------------|------------------|----------|--------|
| ① | Top Panel | 1pc | Box 1 |
| ② | Left Side Panel | 1pc | Box 1 |
| ③ | Right Side Panel | 1pc | Box 1 |
| ④ | Middle Panel | 1pc | Box 1 |
| ⑤ | Bottom Panel | 1pc | Box 1 |
| ⑥ | Back Panel | 1pc | Box 1 |
| ⑦ | Back Panel | 1pc | Box 1 |
| ⑧ | Back Slats | 1pc | Box 1 |



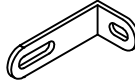

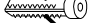
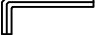
| Part Number | Part Description | Quantity | |
|-------------|--------------------|----------|-------|
| ⑨ | Centre Leg | 1pc | Box 1 |
| ⑩ | Front Leg | 2pcs | Box 1 |
| ⑪ | Back Leg | 2pcs | Box 1 |
| ⑫ | Left Drawer Front | 3pcs | Box 1 |
| ⑬ | Right Drawer Front | 3pcs | Box 1 |
| ⑭ | Drawer Back Side | 6pcs | Box 1 |
| ⑮ | Drawer Left Side | 6pcs | Box 1 |
| ⑯ | Drawer Right Side | 6pcs | Box 1 |
| ⑰ | Drawer Bottom | 6pcs | Box 1 |

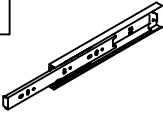
Fittings

Please check you have all the fittings listed below with your product in box 1.

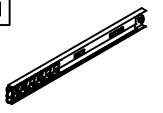
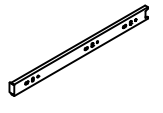




| | | | | | |
|--|--|--|--|--|--|
| A  | B  | C  | D  | E  | F  |
| M6x45mm Bolt 4pcs | Ø6 Flat Washer 4pcs | Ø6 Spring Washer 4pcs | M6x35mm Bolt 36pcs+2pcs extra | Ø15x9.5mm Cam Lock 36pcs+2pcs extra | Cover 24pcs+2pcs extra |

| | | | | | |
|---|---|---|---|---|---|
| G  | H  | I  | J  | K  | L  |
| Ø8x30mm Dowel 16pcs+1pc extra | Ø6x30mm Dowel 24pcs+2pcs extra | 15x9mm Plastic Buckle 10pcs+1pc extra | M3.5x14mm Screw 10pcs+1pc extra | Handle 6pcs | M3x14mm Screw 12pcs+1pc extra |

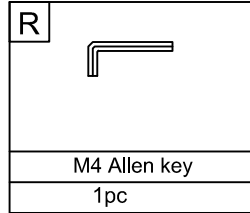
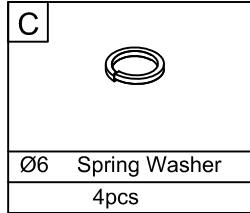
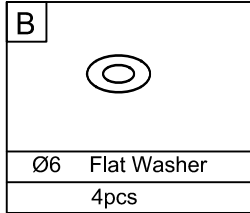
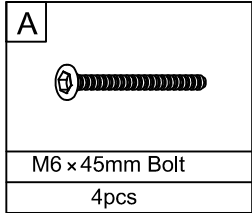
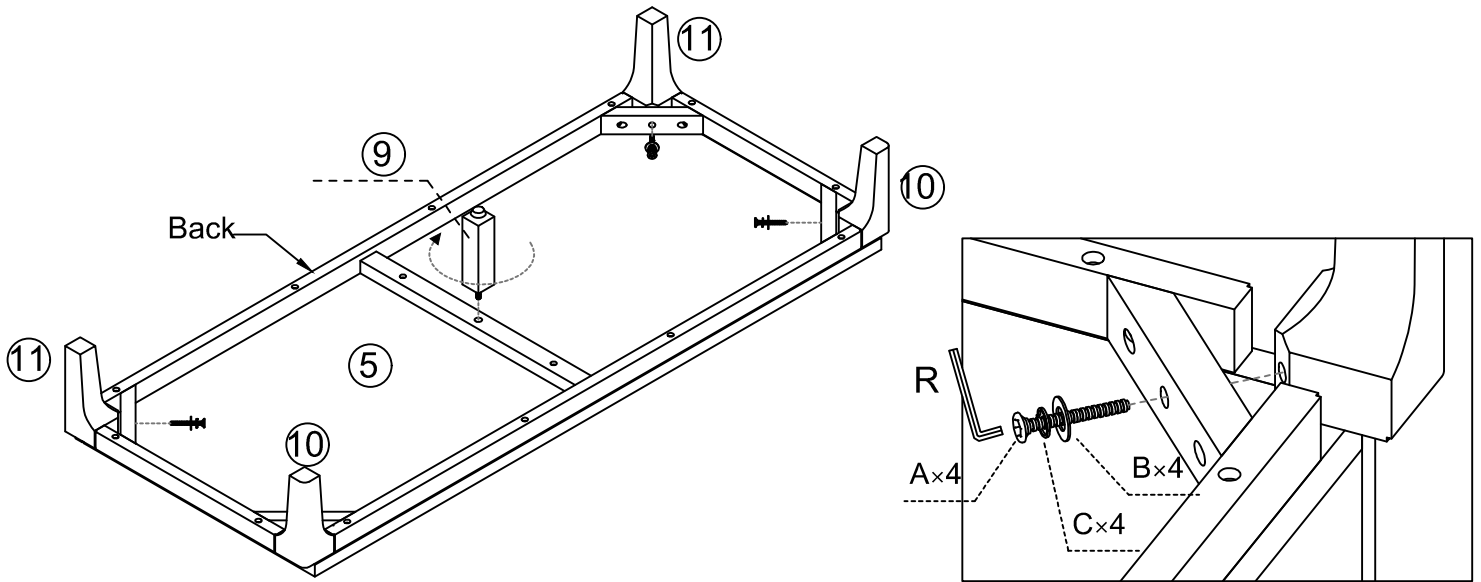
| | | | | | |
|---|---|---|---|---|---|
| M  | N  | O  | P  | Q  | R  |
| M4x40mm Screw 4pcs | M4x35mm Screw 26pcs+2pcs extra | Wall Bracket 2pcs | M4x16mm Screw 6pcs | Ø6 x 30mm Wall Plug 2pcs | M4 Allen key 1pc |

| |
|---|
| S  |
| Slide pre assembled 12pcs |

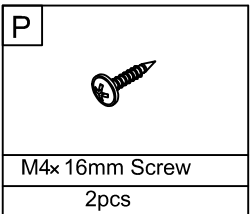
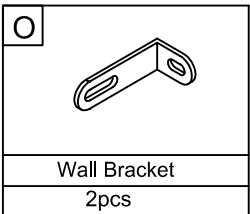
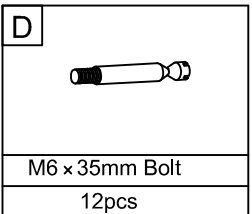
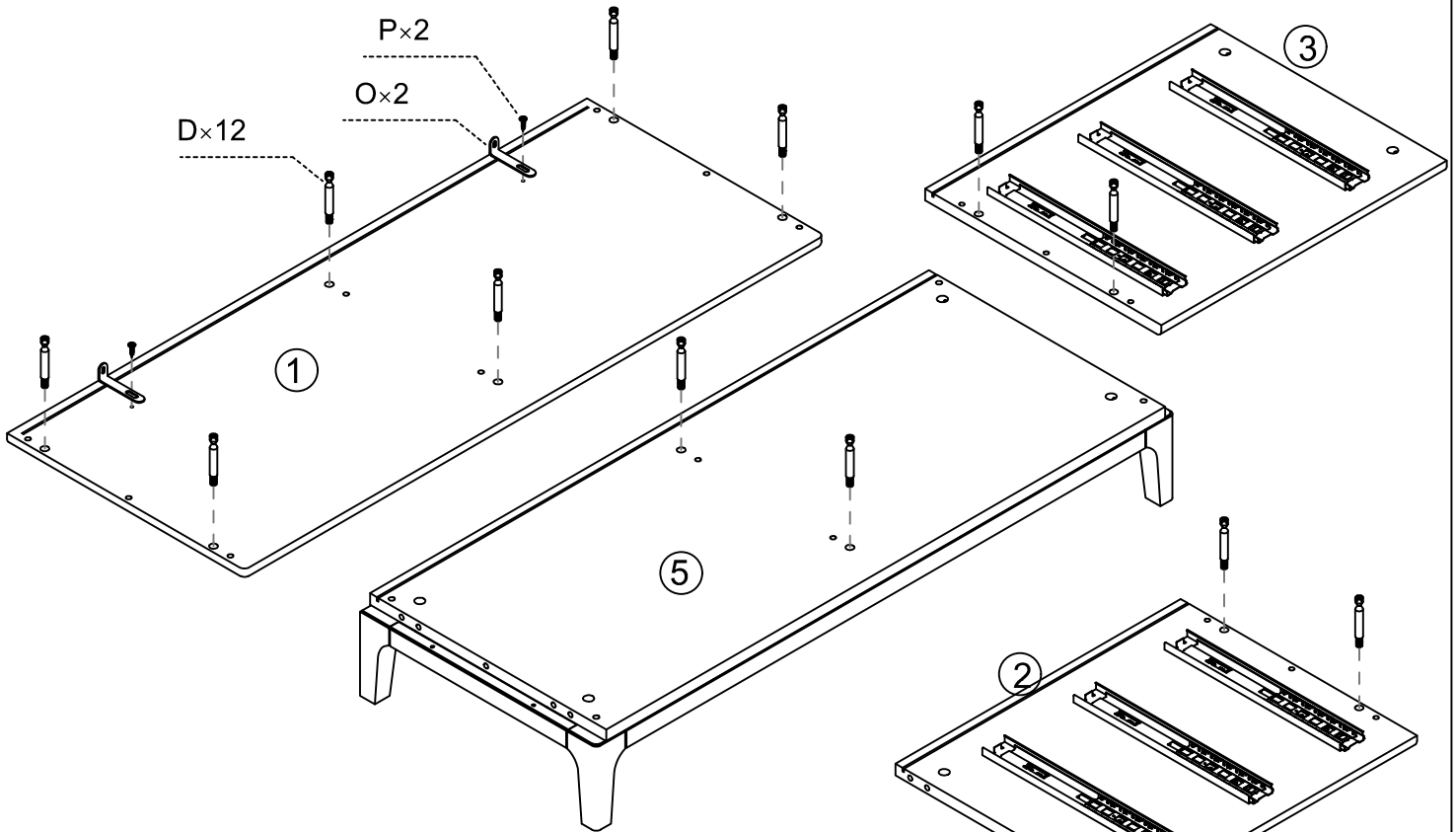
Pre- assembled Fitting

| | | | | | |
|---|---|---|---|---|---|
| S₁  | S₂  | T  | U  | V  | W  |
| Slide 12pcs | Slide 12pcs | M3.5x16mm Screw 48pcs | M3.5x12mm Screw 48pcs | Ø17x5mm Foot Peg 4pcs | M6x20mm Adjusting screw 1pc |

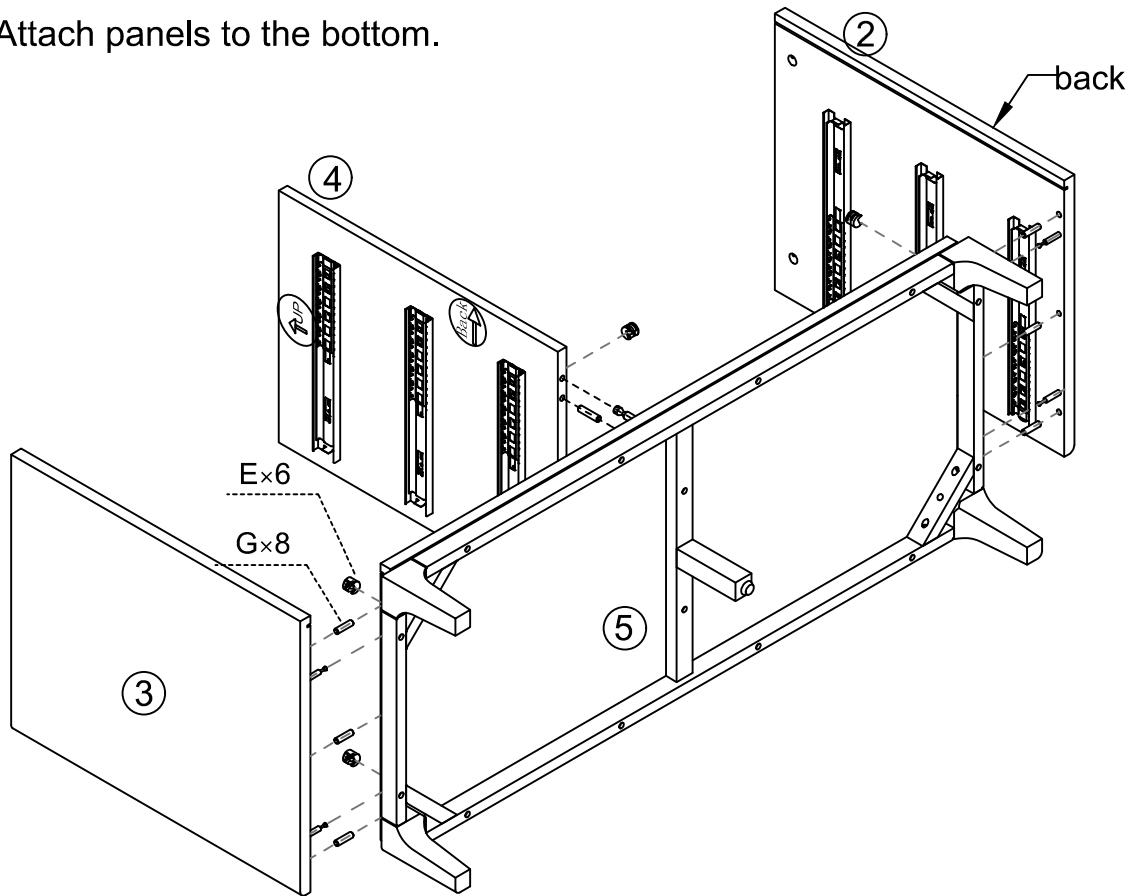
Step 1. Attach Legs to the bottom .





Step 2. Attach parts to the panels.

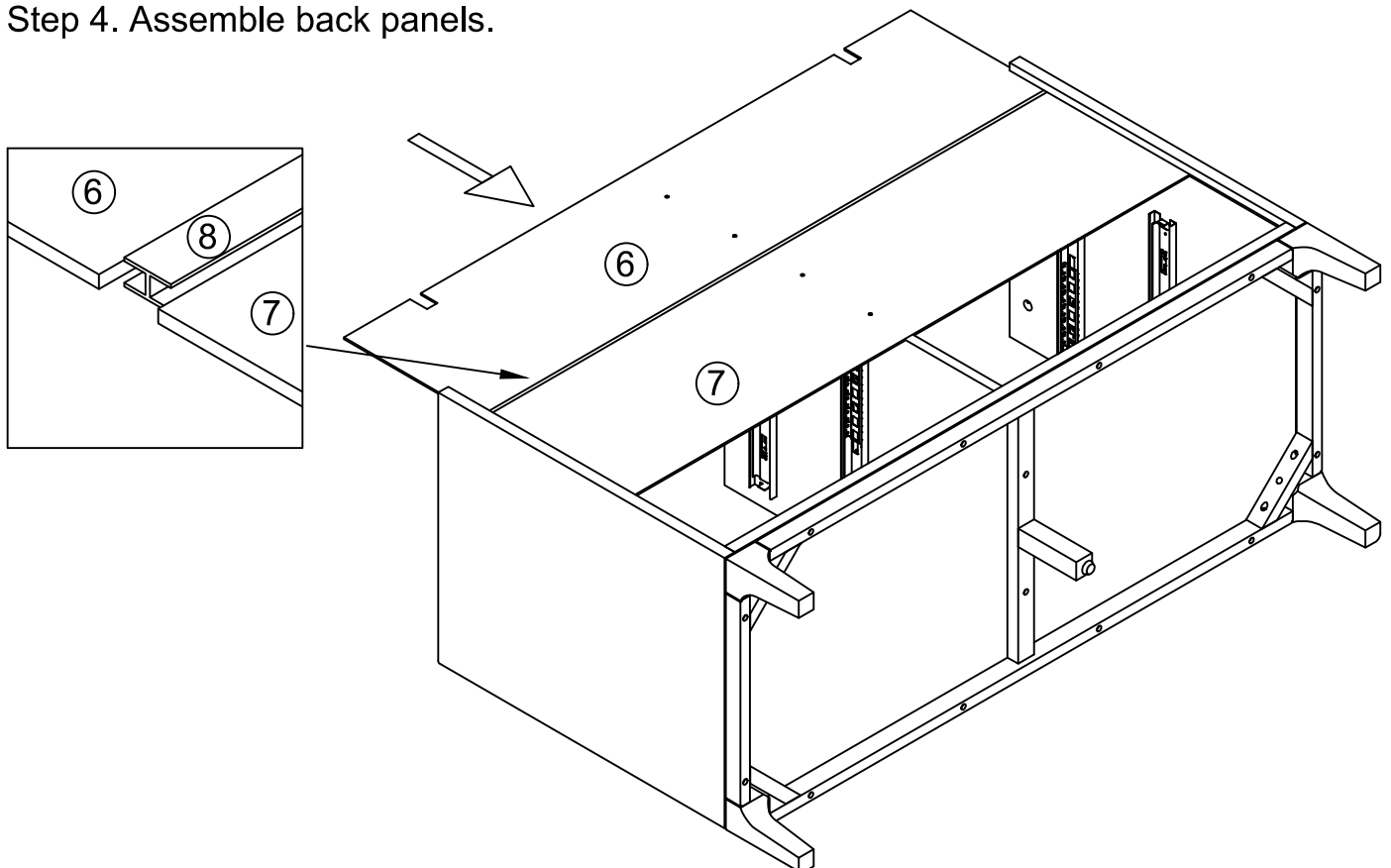


Step 3. Attach panels to the bottom.

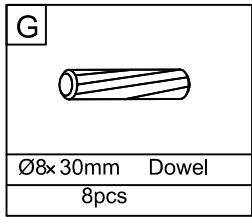
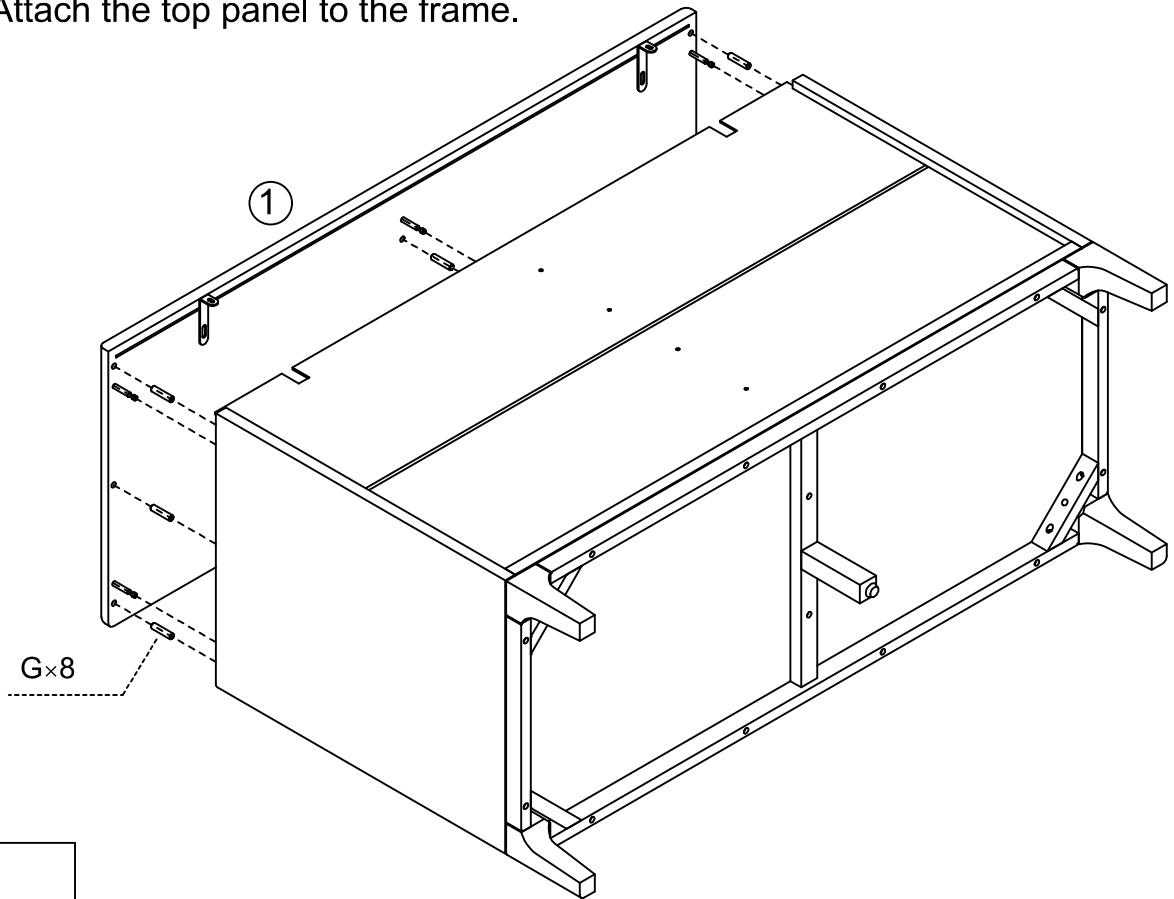


| | | | |
|----------------------|---|-----------------|---|
| E |  | G |  |
| Ø15 × 9.5mm Cam Lock | | Ø8 × 30mm Dowel | |
| 6pcs | | 8pcs | |

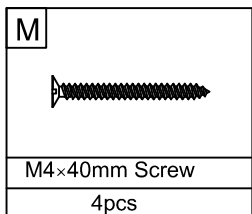
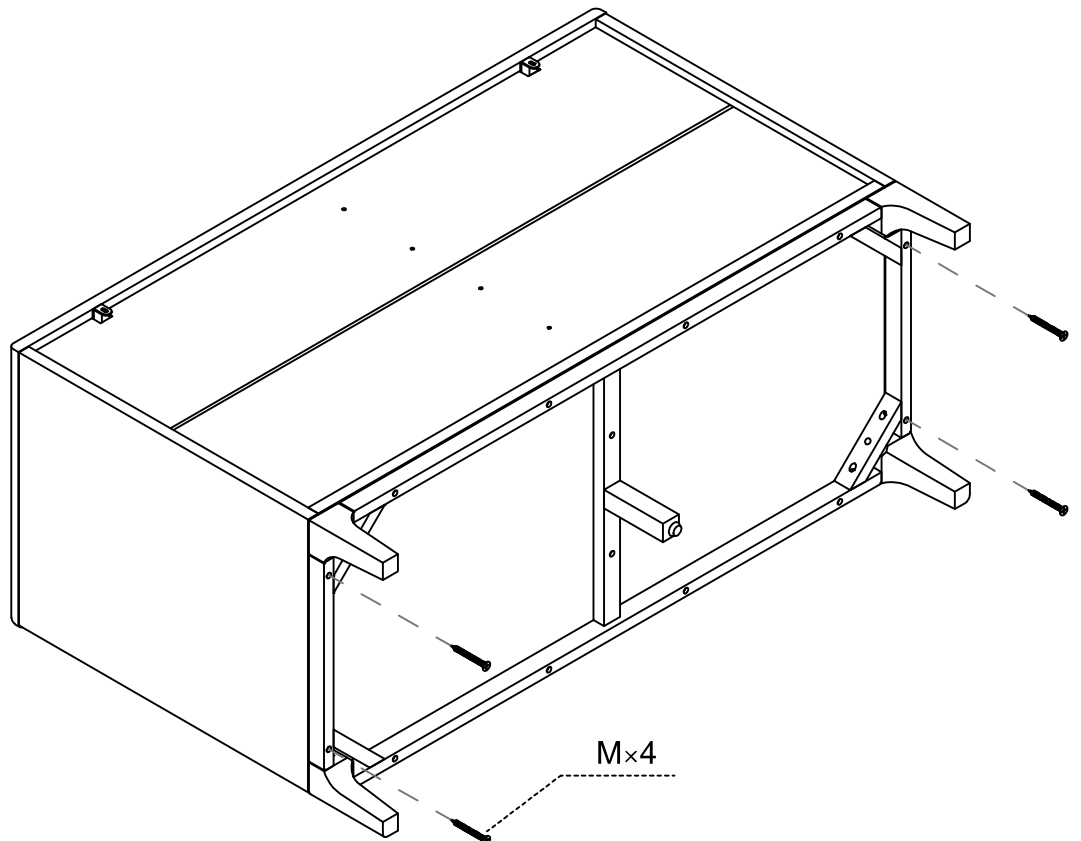
Step 4. Assemble back panels.



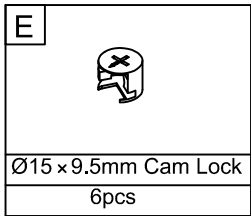
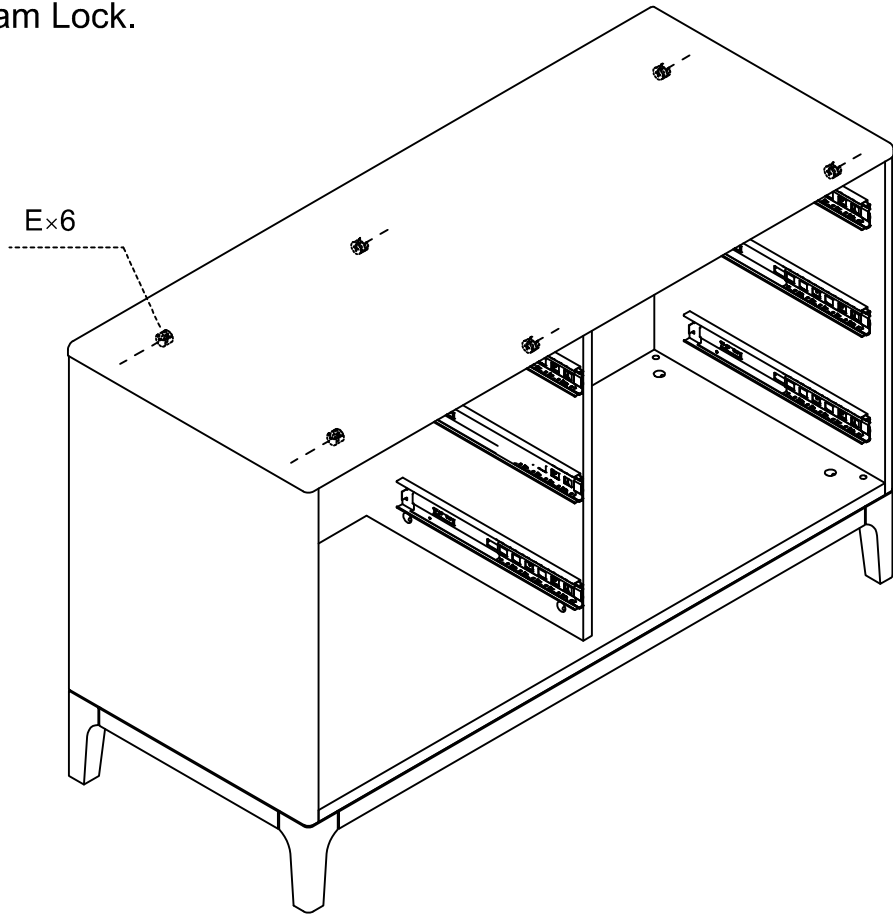
Step 5. Attach the top panel to the frame.



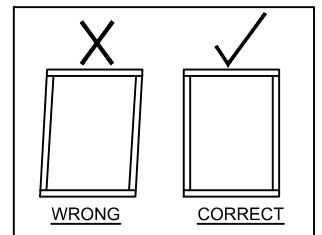
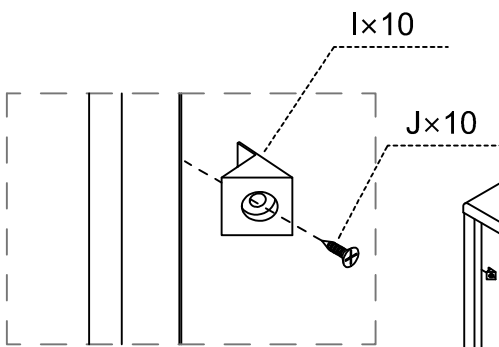
Step 6. Attach screws to the bottom.



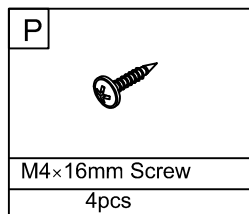
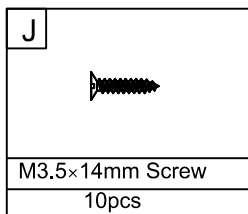
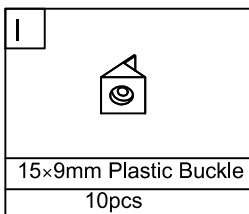
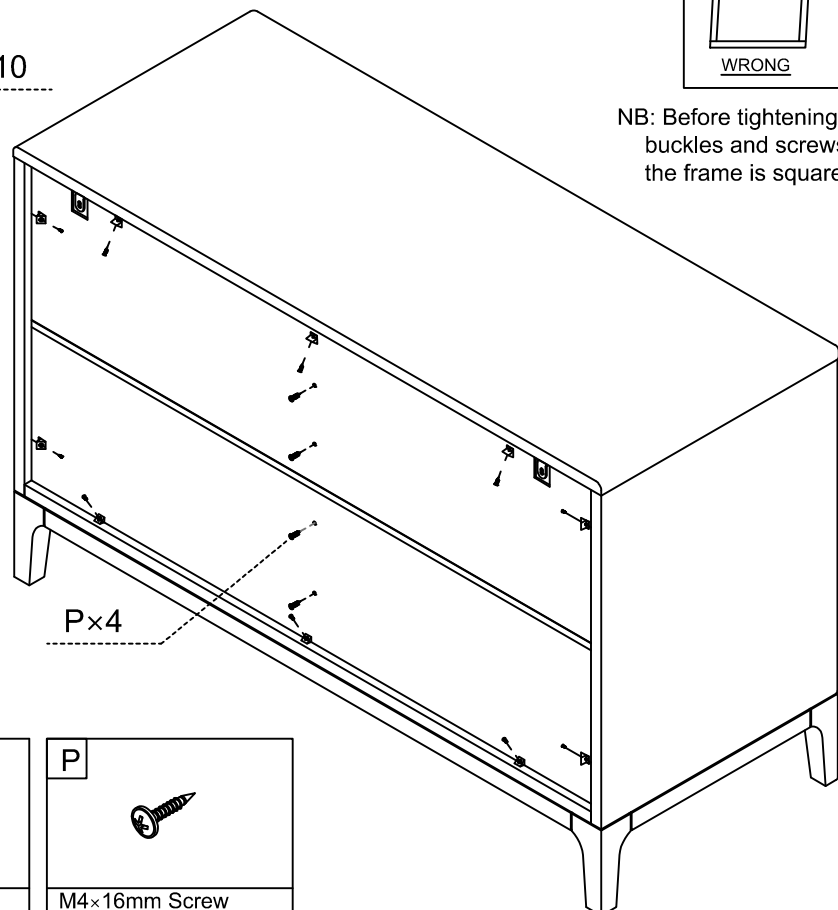
Step 7. Assemble Cam Lock.



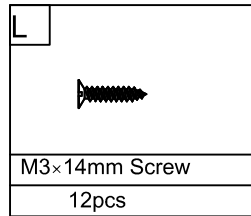
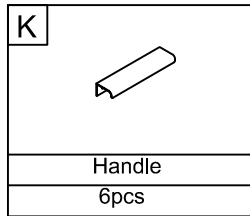
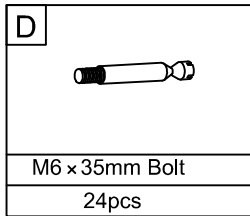
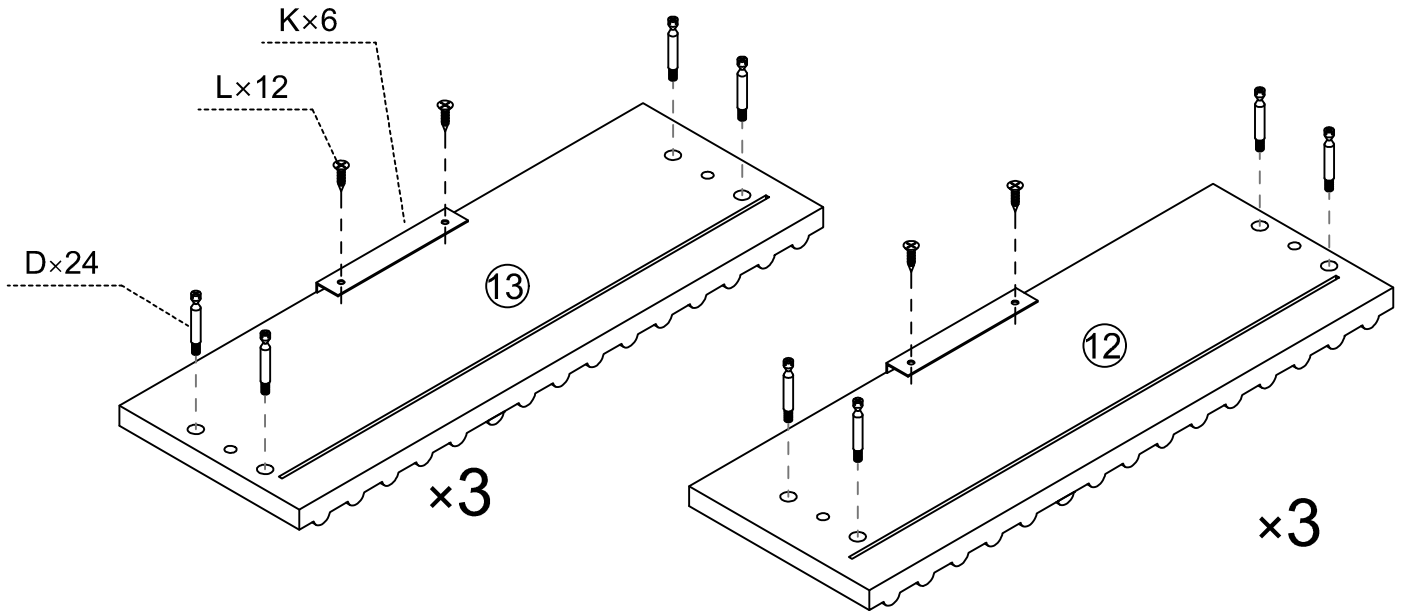
Step 8. Attach the plastic buckles and screws.



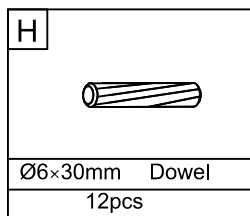
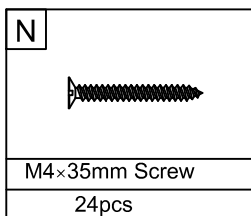
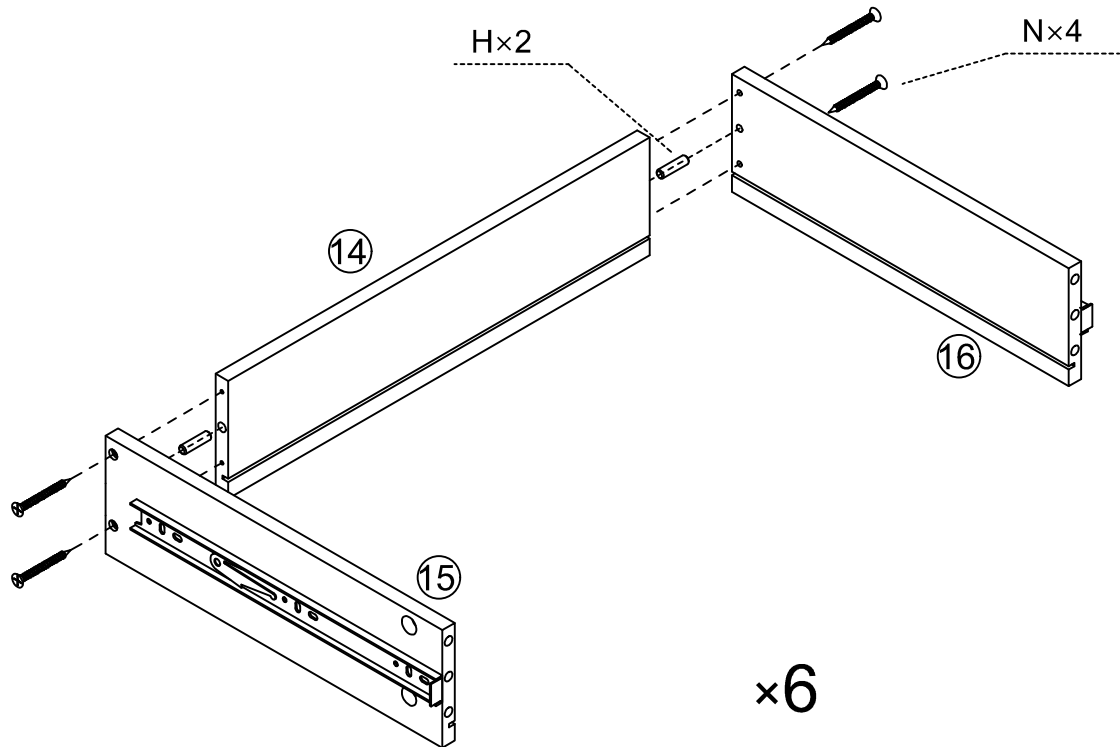
NB: Before tightening the plastic buckles and screws, please ensure the frame is square



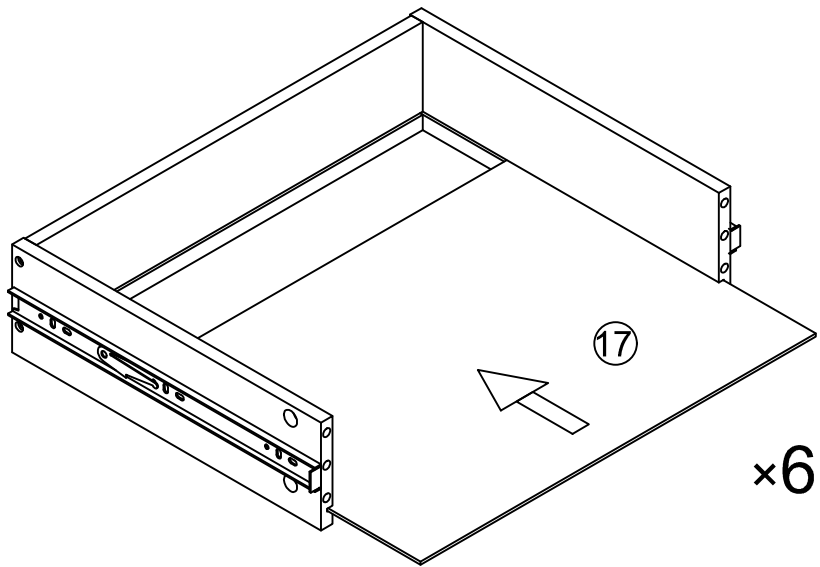
Step 9. Attach handle to the drawer front.



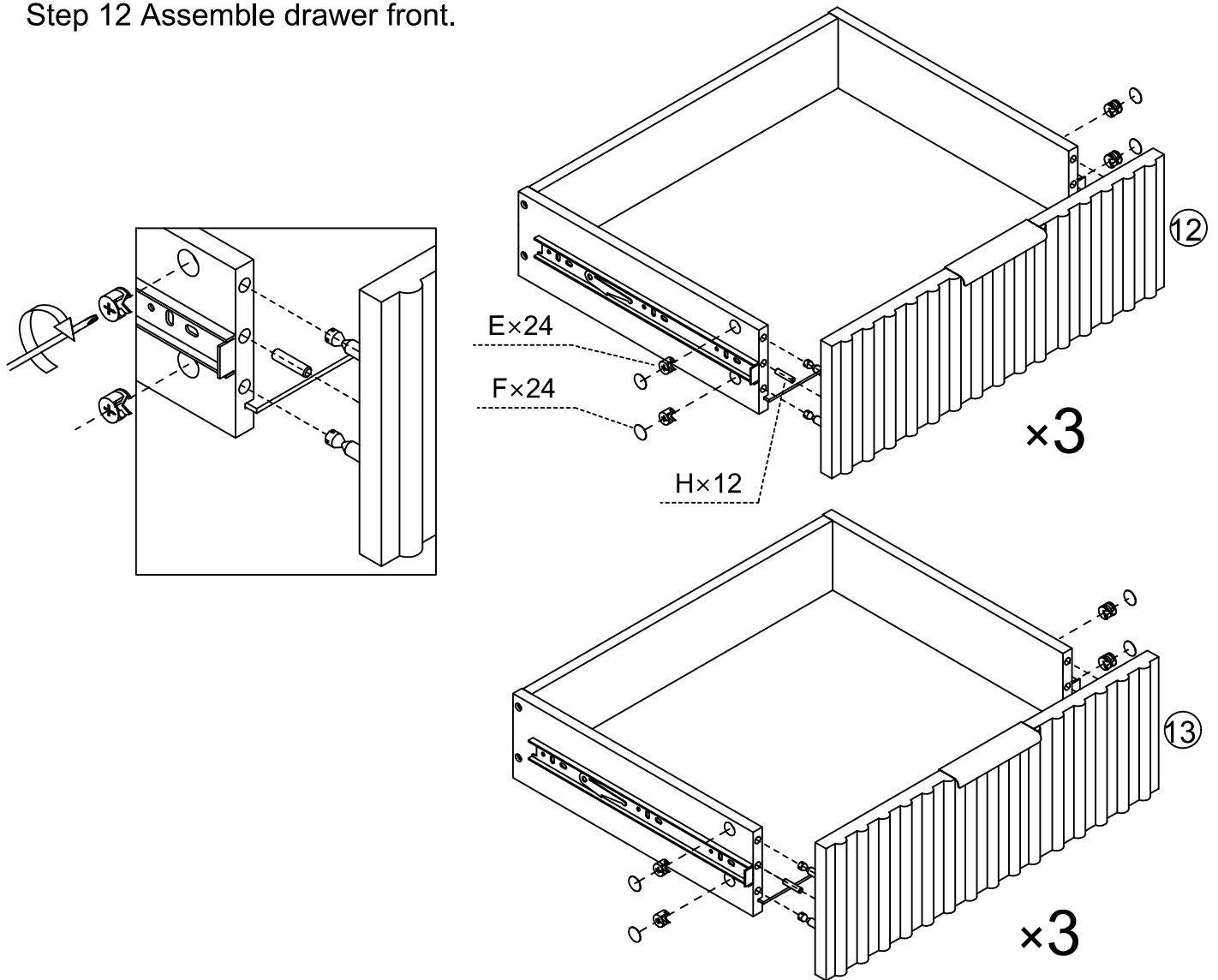
Step 10 Assemble drawers.






Step 11 Assemble drawer bottom panel.

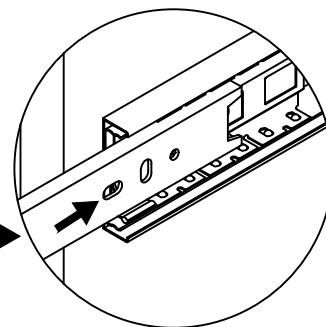
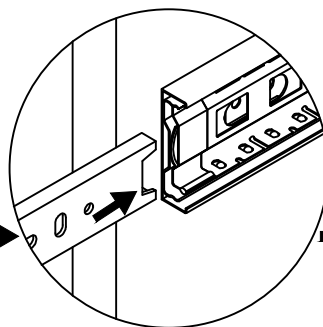
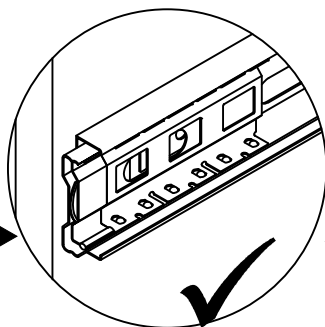
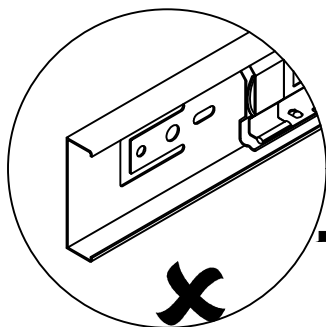
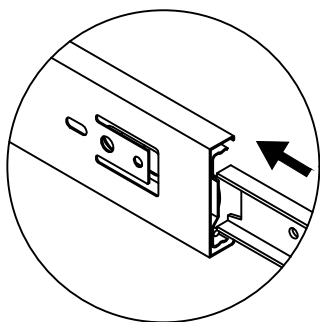
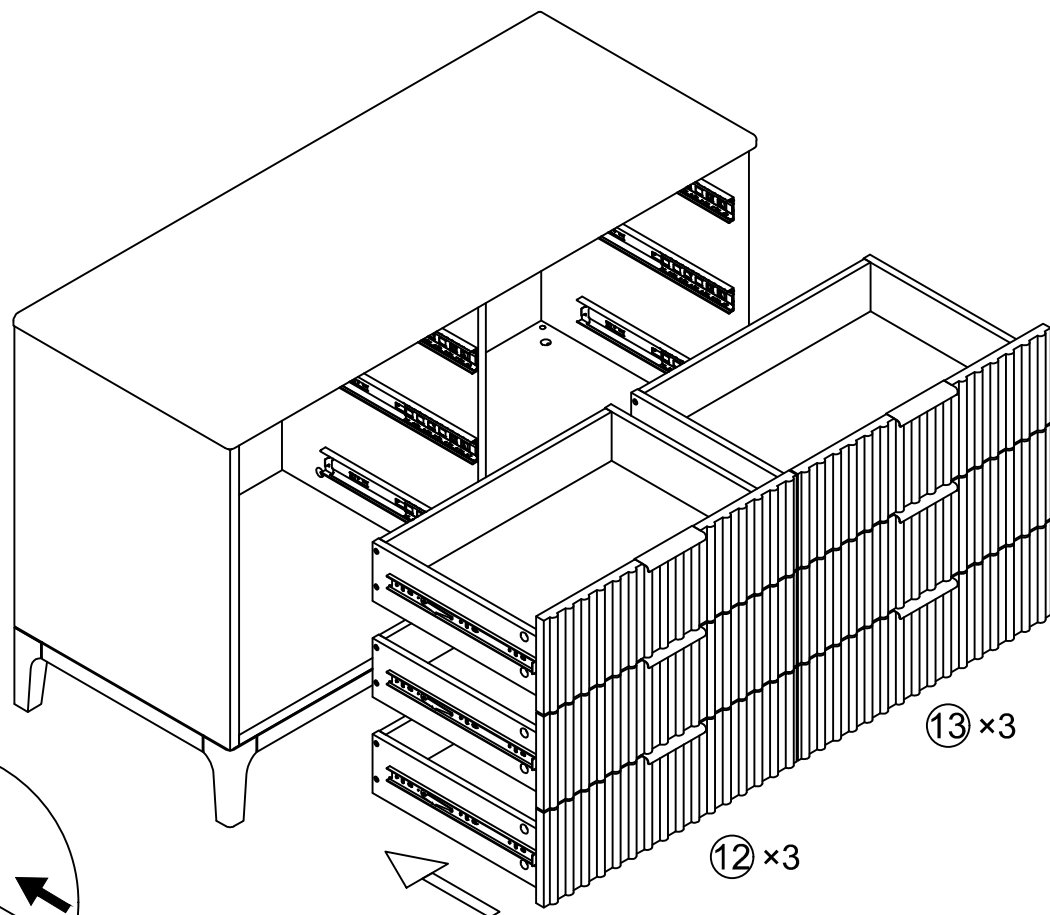


Step 12 Assemble drawer front.

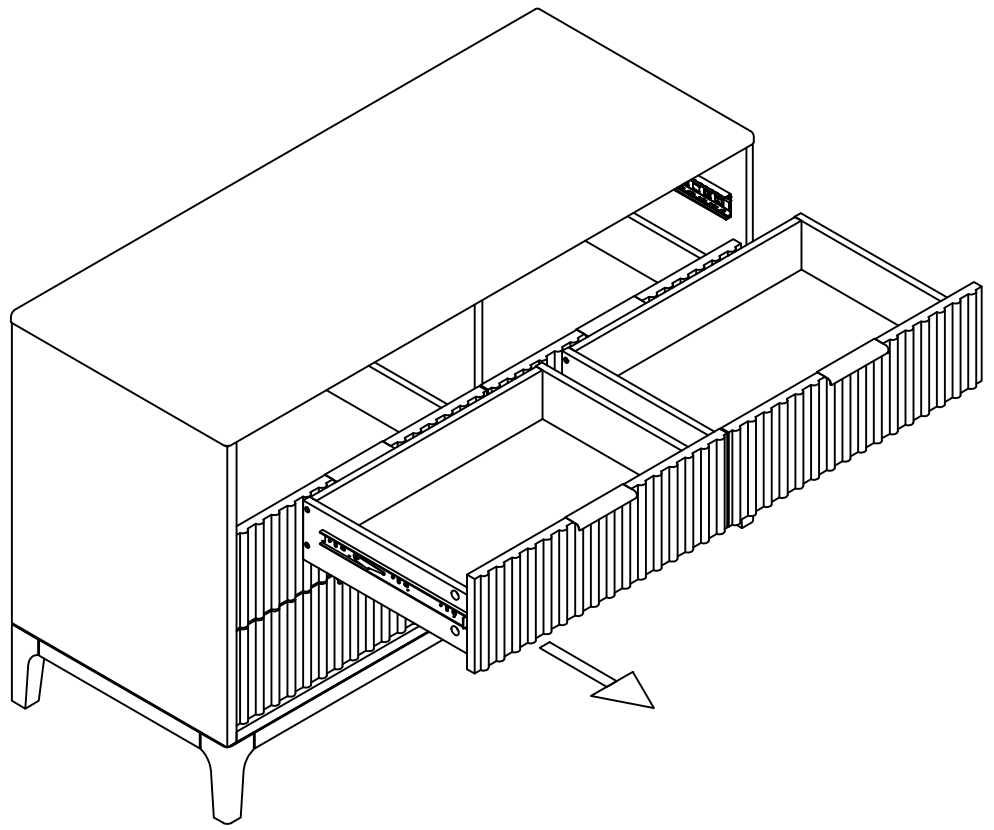
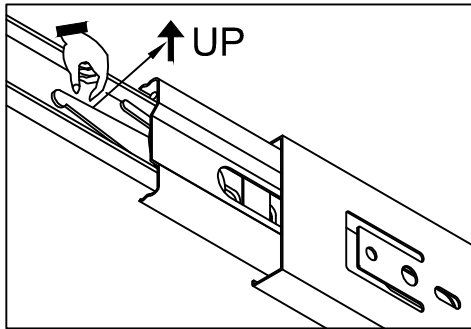
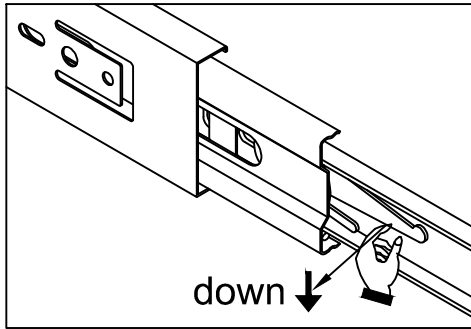


| | | |
|---|---|---|
| <p>E</p>  | <p>H</p>  | <p>F</p>  |
| <p>Ø15 x 9.5mm Cam Lock 24pcs</p> | <p>Ø6 x 30mm Dowel 12pcs</p> | <p>Cover 24pcs</p> |

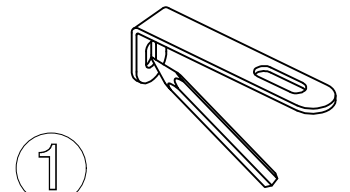
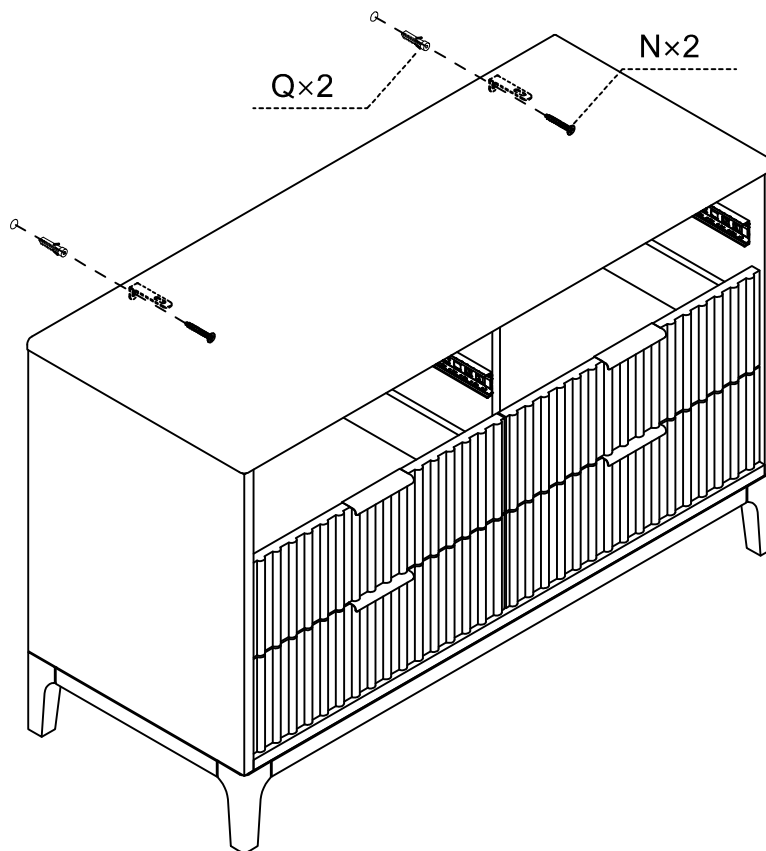
Step 13 Assemble drawers in the chest.



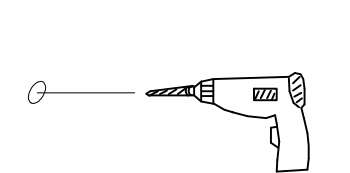
Step 14 Take out the drawer.



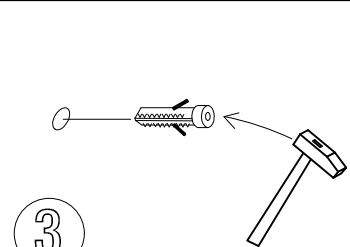
Step 15 Fix the L-shaped Bracket to the wall.



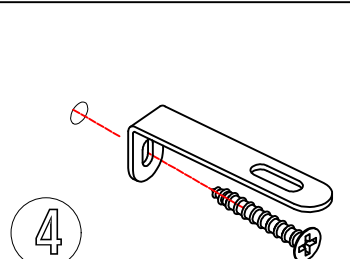
1



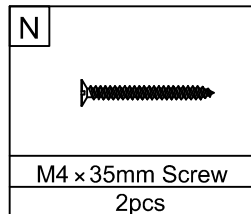
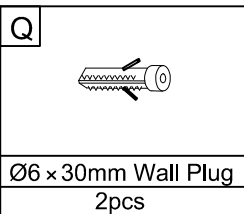
2



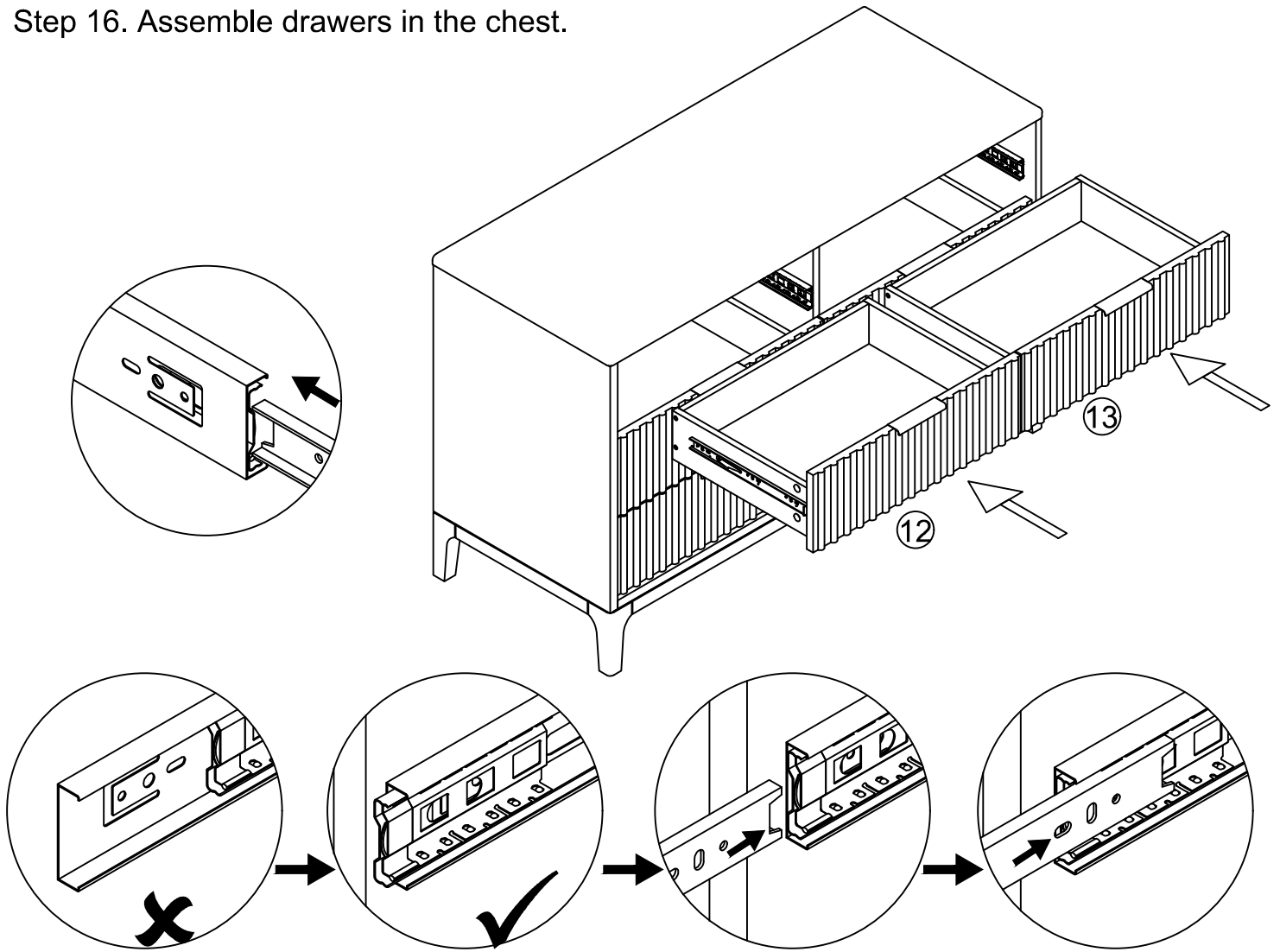
3



4



Step 16. Assemble drawers in the chest.



Step 17. Adjust the centre leg bolt to the proper height.

