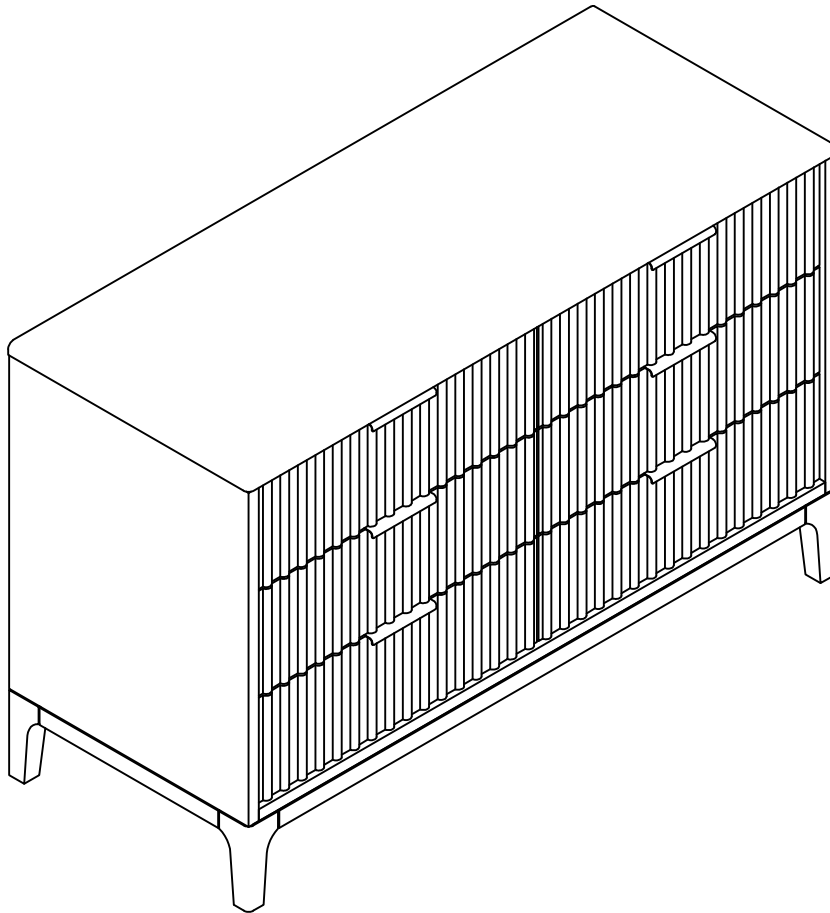
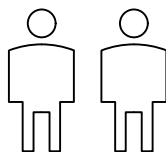


## Elena Large Chest



Up to 50 minutes  
assembly time



Two person  
assembly

V1.0

## IMPORTANT

### ASSEMBLY TIP

Before you begin, it's best to identify all of the parts and fittings to build your Elena Large Chest frame. We advise laying these out on the floor to check you have everything, and to familiarise yourself with all of the parts and fittings before building.

### TOP TIP

We recommend that you assemble the Elena Large Chest in the room you'd like it to be located. This will help prevent any risk of damage to the frame whilst moving it.

### SAFETY AND CARE

It's important to ensure children and animals are kept away from the assembly area, as there are small components used in this product which could present a choking hazard. All plastic and wrapping materials should also be kept away from children and animals to prevent any risk of suffocation.

### HELP AND SUPPORT

Please contact our customer service team on 0113 519 0311 if you have any questions or issues with your purchase.

### RECYCLING

Please ensure that packaging is disposed of in a safe and environmentally friendly way, and recycle where possible. Please keep your assembly instructions safe to refer back to in the future.

### CARE AND MAINTENANCE:

1. Only clean using a damp cloth, do not use bleach or abrasive cleaners as they may damage the finish over time.
2. Do not use a very wet cloth or allow any liquid to contact with the veneer for a long period of time. Wipe any spillage immediately. Absorption can cause wood to warp or finishes to de-laminate.
3. Do not scrub or rub the surface when cleaning.
4. Do not drag the Elena Large Chest when moving, lift it off the floor instead.
5. Use a placemat or a coaster when putting hot items (e.g. hot drinks and dishes) on the wood surface.
6. It is not recommended to place the item next to sources of heat such as radiators, fires or directly exposed to sunlight. This may cause the wood to crack, split or fade due to the heat and humidity.
7. Wood will mellow and change colour over time, we recommend that ornaments and items placed on the surface to be moved regularly to prevent uneven mellowing.
8. Regularly check all fixings to ensure none have come loose. Re-tighten if necessary.
9. Avoid sharp items such as a screwdriver or any pointy tools.
10. Dispose of all packaging carefully and responsibly - recycle where possible.

## Parts list




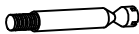










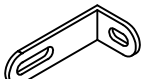

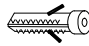
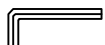
Before you begin building your Chest, please take a moment to read through the instructions and make sure that you have all the relevant parts listed on the parts check list.

Part Number	Part Description	Quantity
①	Top Panel	1pc
②	Left Side Panel	1pc
③	Right Side Panel	1pc
④	Middle Panel	1pc
⑤	Bottom Panel	1pc
⑥	Back Panel	1pc
⑦	Back Panel	1pc
⑧	Back Slats	1pc

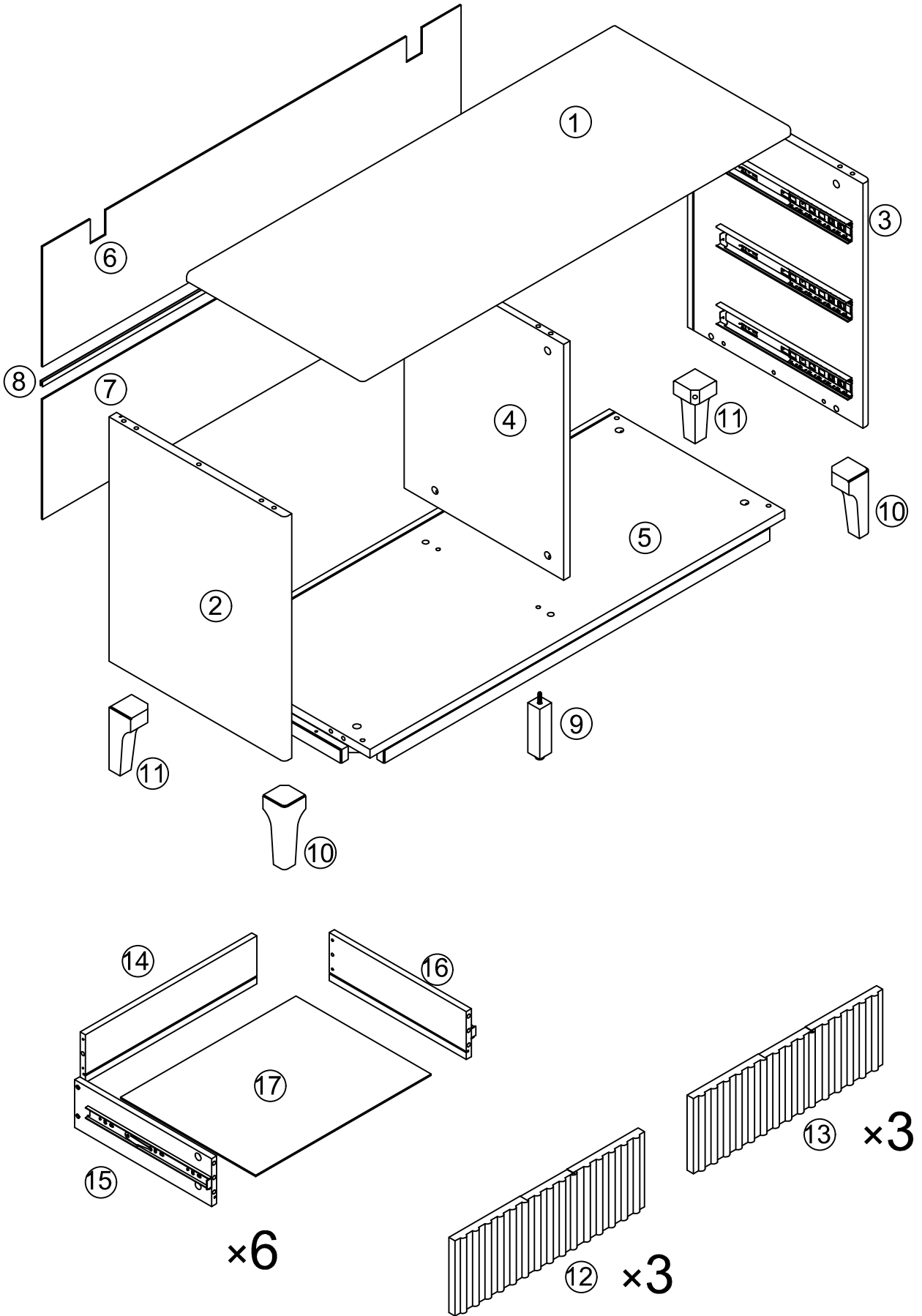
Part Number	Part Description	Quantity
⑨	Centre Leg	1pc
⑩	Front Leg	2pcs
⑪	Back Leg	2pcs
⑫	Left Drawer Front	3pcs
⑬	Right Drawer Front	3pcs
⑭	Drawer Back Side	6pcs
⑮	Drawer Left Side	6pcs
⑯	Drawer Right Side	6pcs
⑰	Drawer Bottom	6pcs

## Fittings

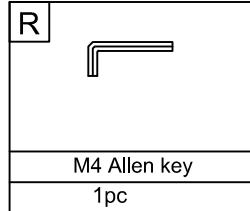
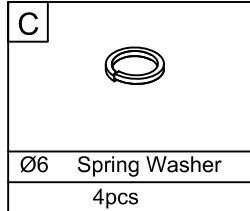
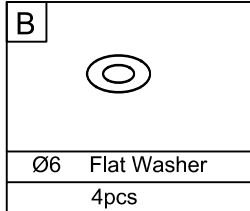
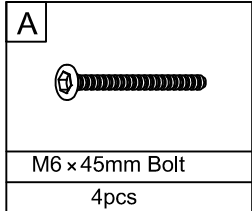
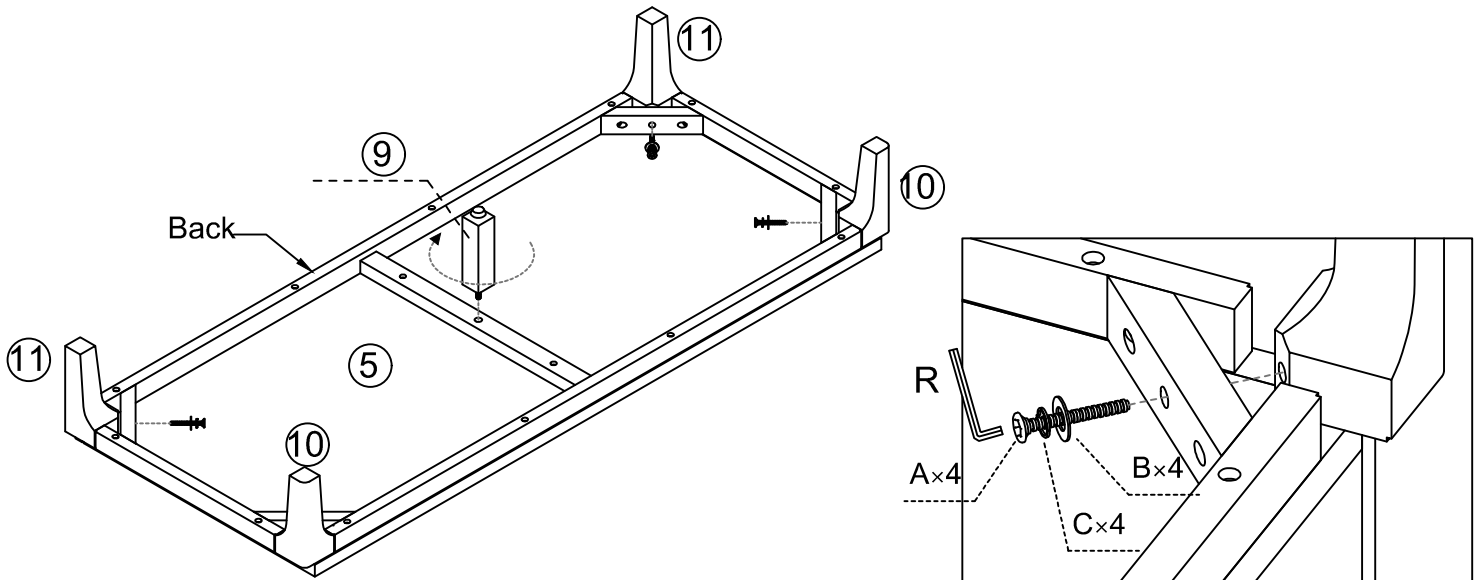
Please check you have all the fittings listed below with your product.

 M6x45mm Bolt 4pcs	 Ø6 Flat Washer 4pcs	 Ø6 Spring Washer 4pcs	 M6x35mm Bolt 36pcs+2pcs extra	 Ø15x9.5mm Cam Lock 36pcs+2pcs extra
 Cover 24pcs+2pcs extra	 Ø8x30mm Dowel 16pcs+1pc extra	 Ø6x30mm Dowel 24pcs+2pcs extra	 15x9mm Plastic Buckle 10pcs+1pc extra	 M3.5x14mm Screw 10pcs+1pc extra
 Handle 6pcs	 M3x14mm Screw 12pcs+1pc extra	 M4x40mm Screw 4pcs	 M4x35mm Screw 26pcs+2pcs extra	 Wall Bracket 2pcs
 M4x16mm Screw 6pcs	 Ø6 x 30mm Wall Plug 2pcs	 M4 Allen key 1pc		

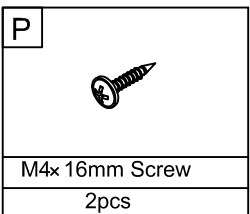
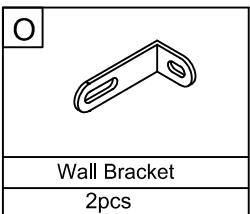
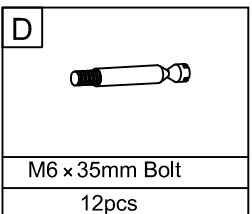
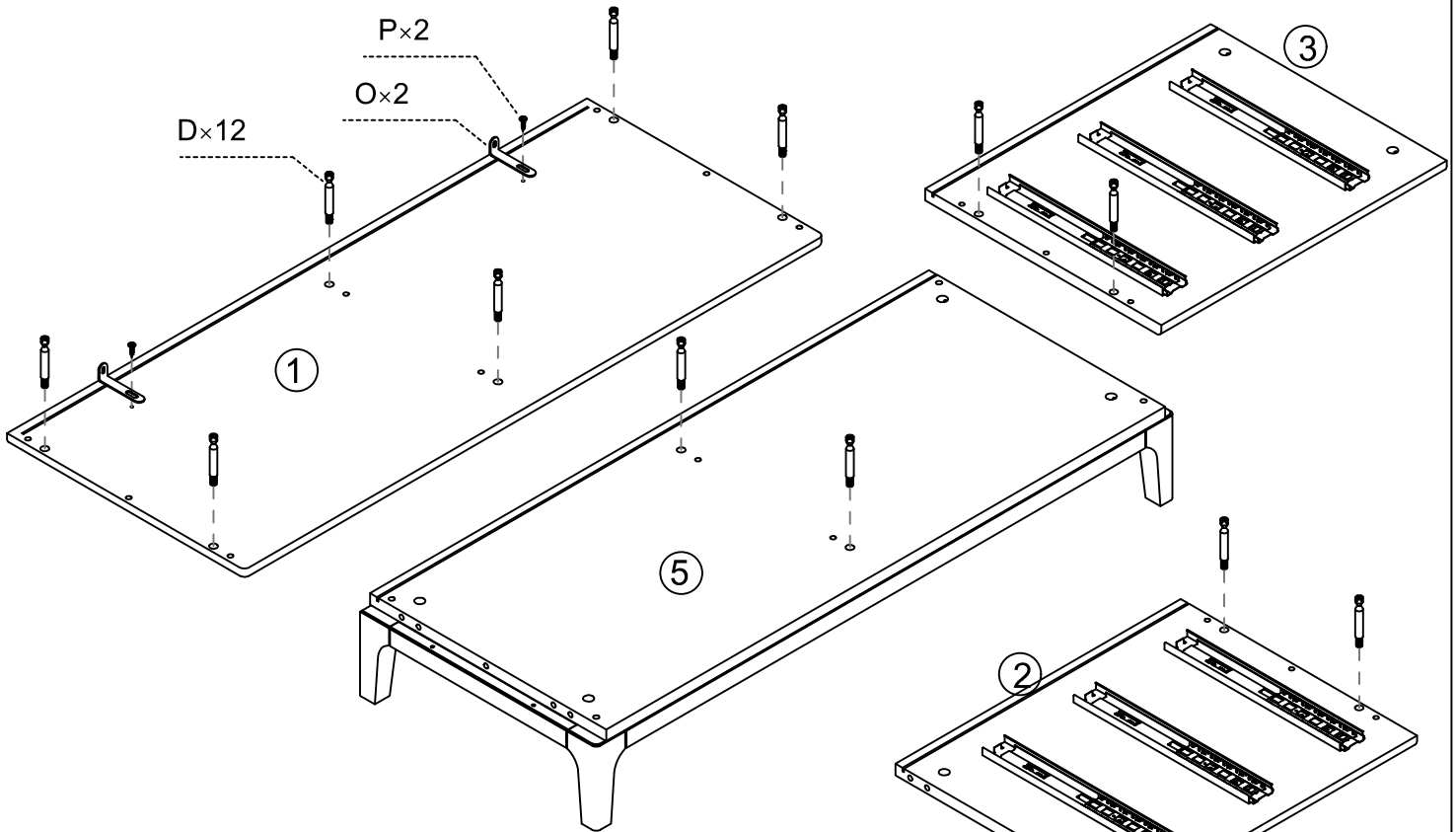
Parts



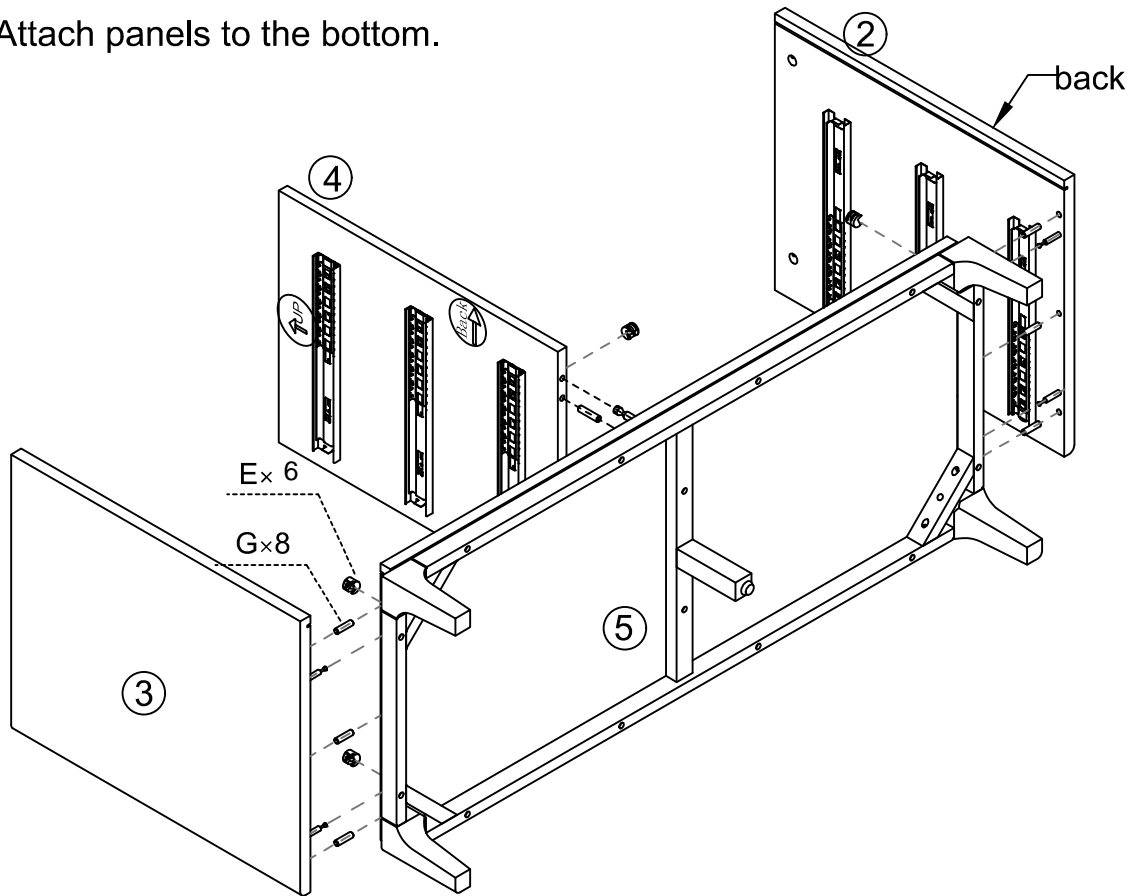
Step 1. Attach Legs to the bottom .





Step 2. Attach parts to the panels.

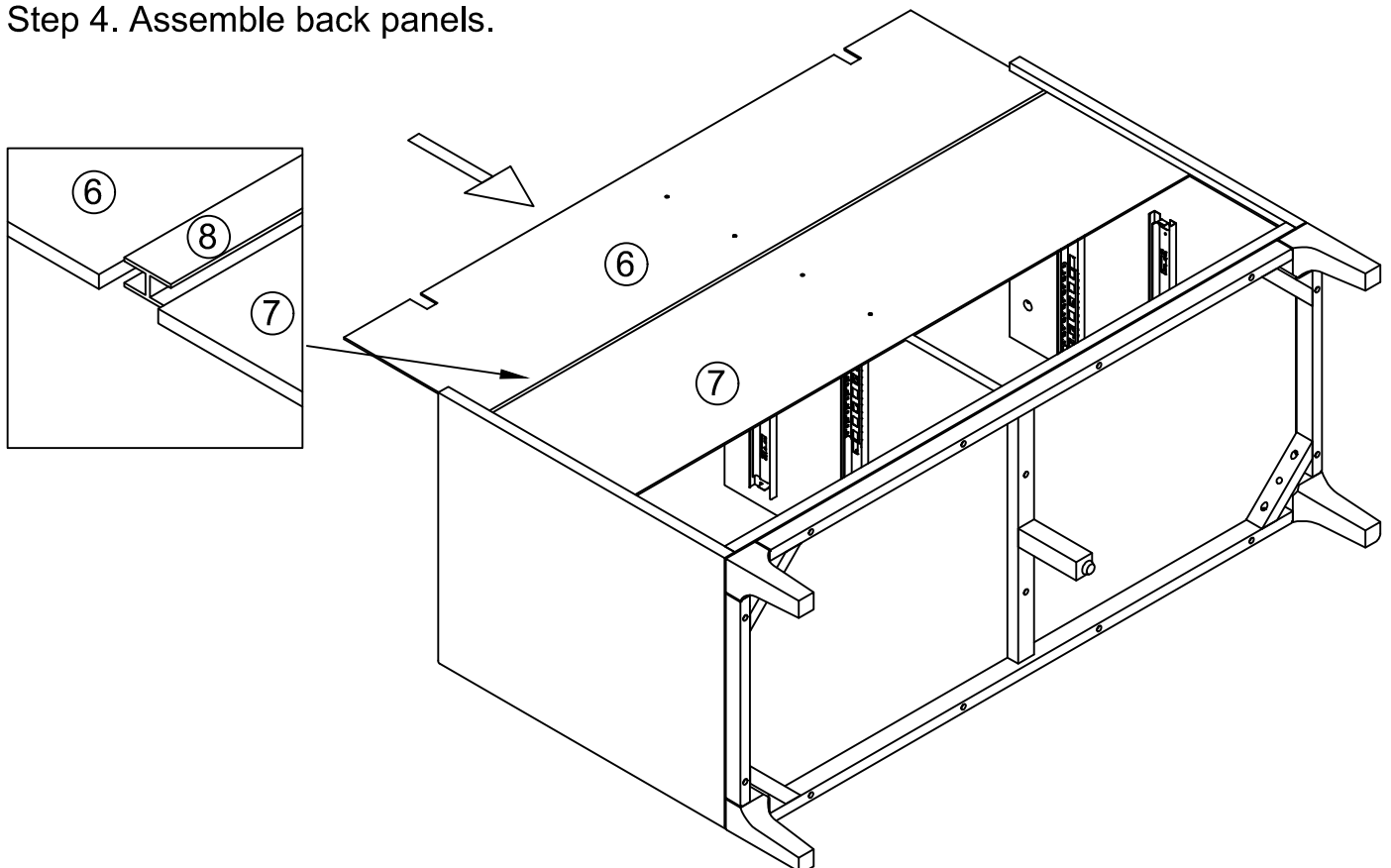


### Step 3. Attach panels to the bottom.

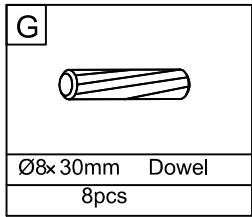
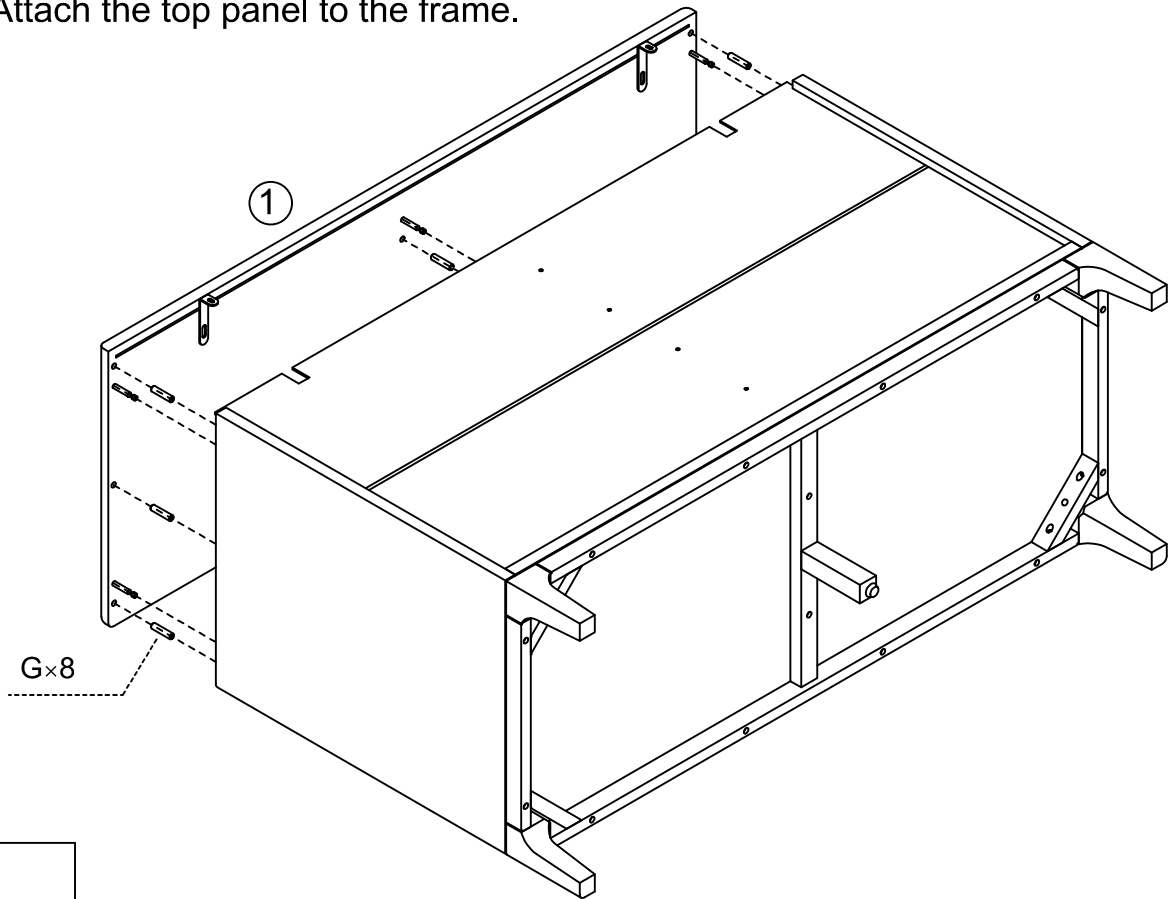


<b>E</b>		<b>G</b>	
Ø15 × 9.5mm Cam Lock		Ø8 × 30mm Dowel	
6pcs		8pcs	

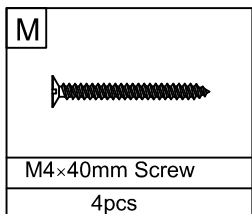
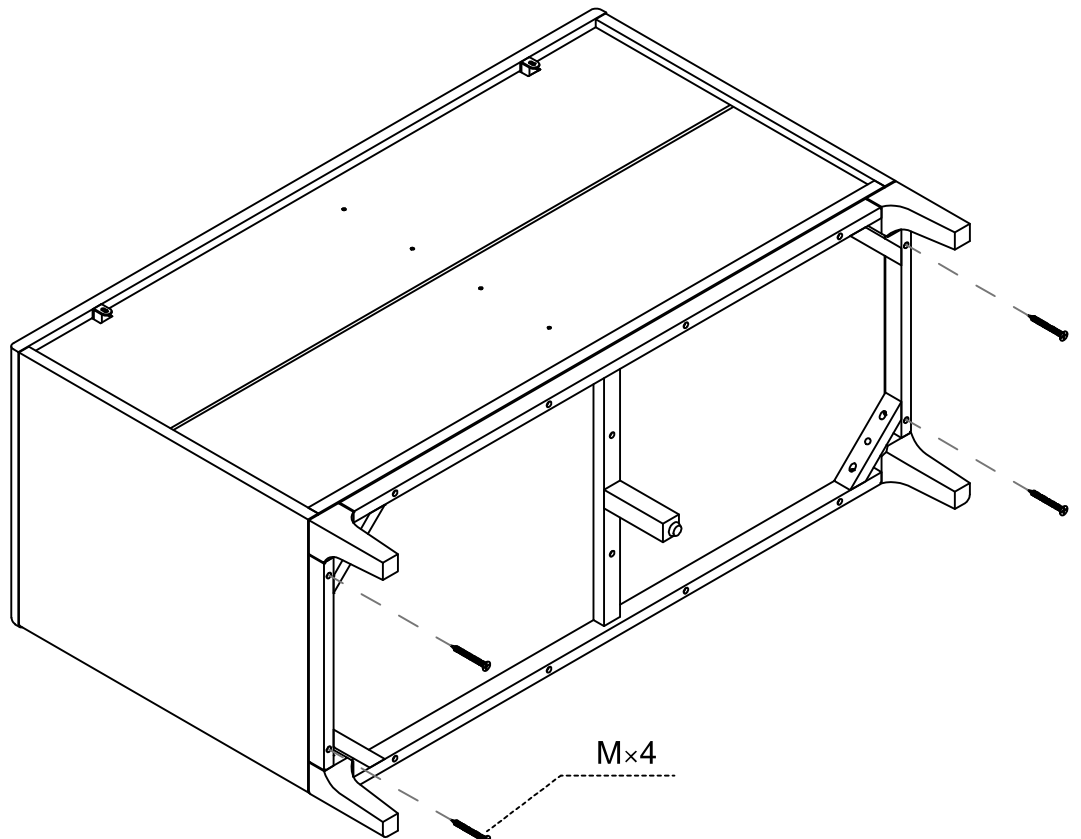
### Step 4. Assemble back panels.



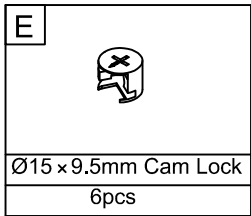
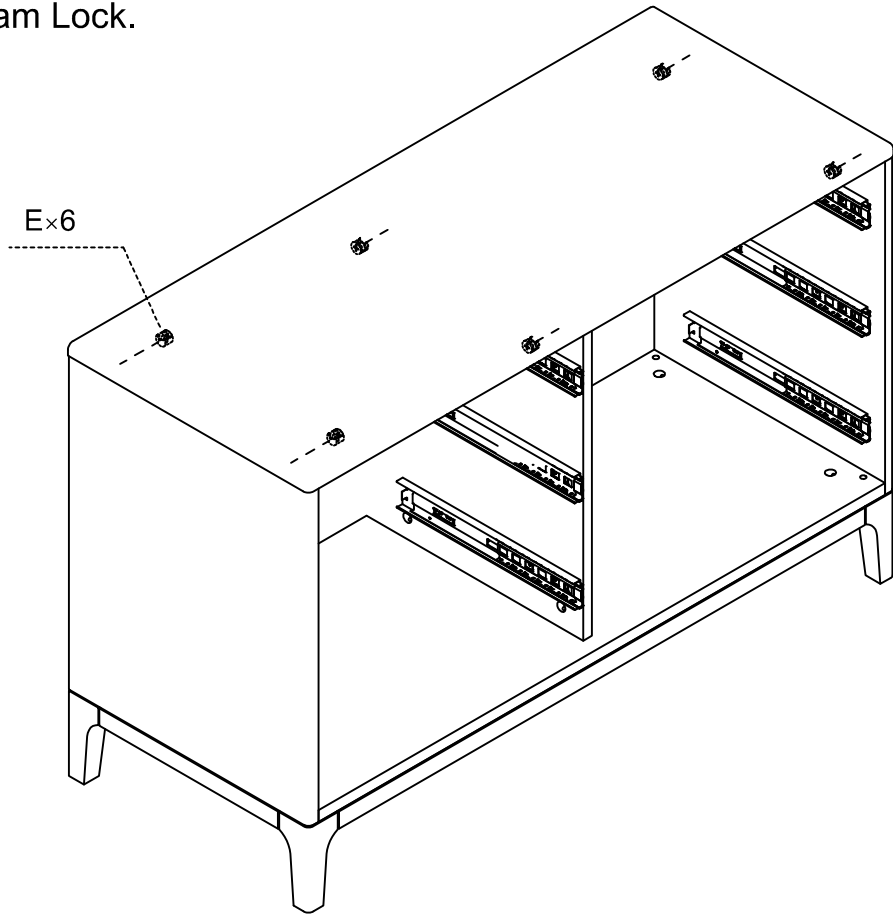
Step 5. Attach the top panel to the frame.



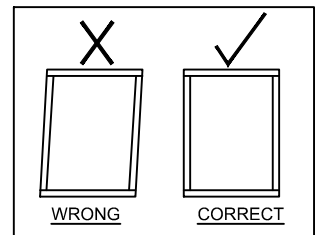
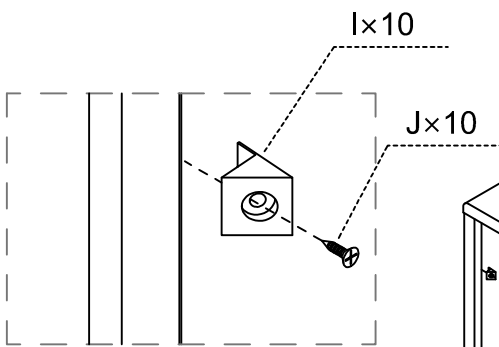
Step 6. Attach screws to the bottom.



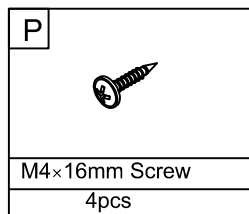
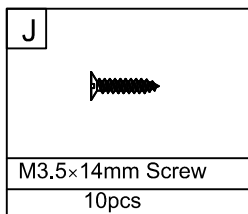
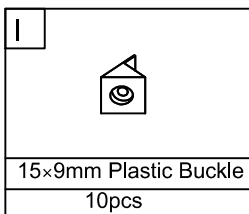
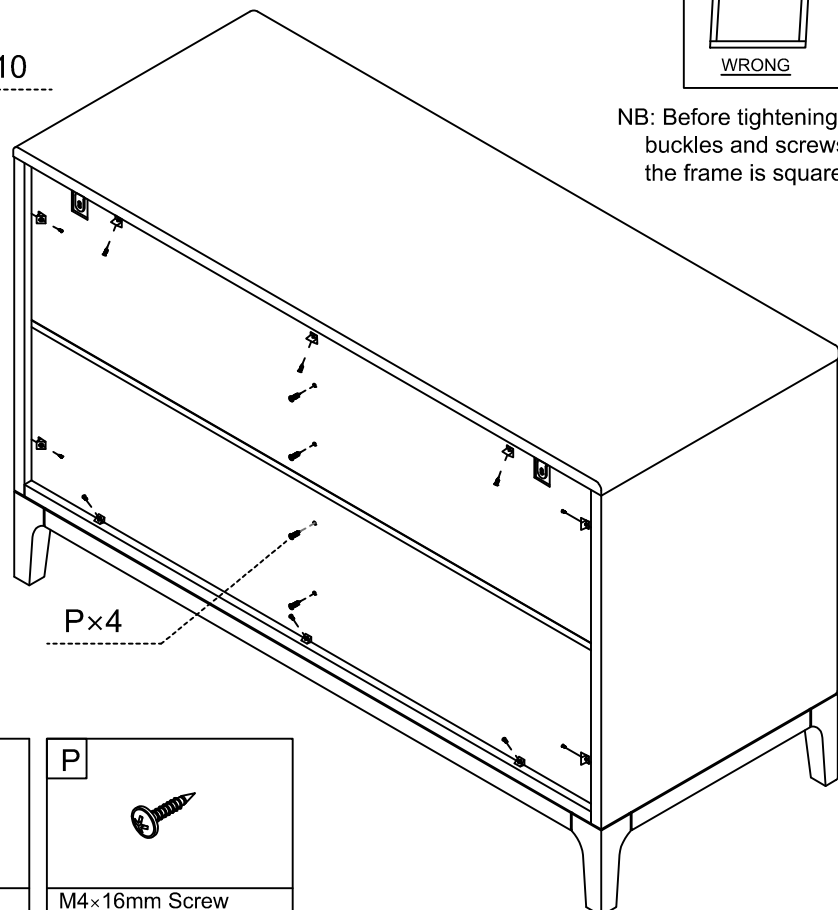
## Step 7. Assemble Cam Lock.



## Step 8. Attach the plastic buckles and screws.

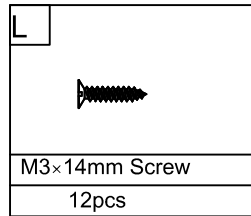
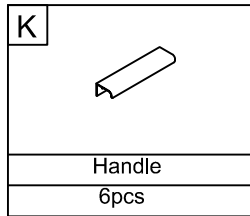
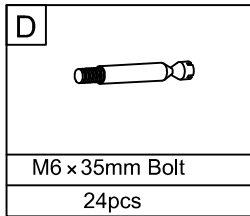
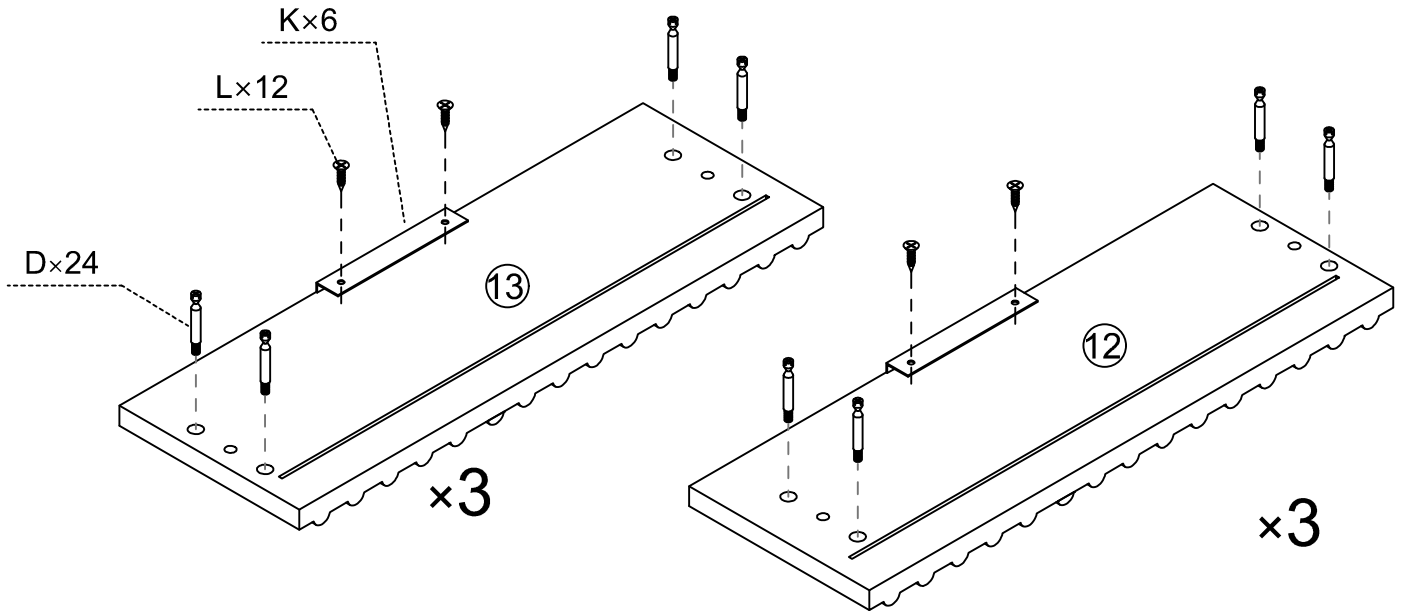


NB: Before tightening the plastic buckles and screws, please ensure the frame is square

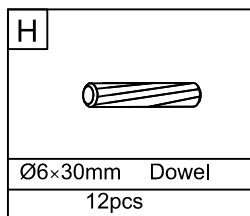
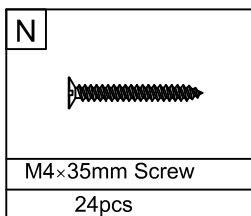
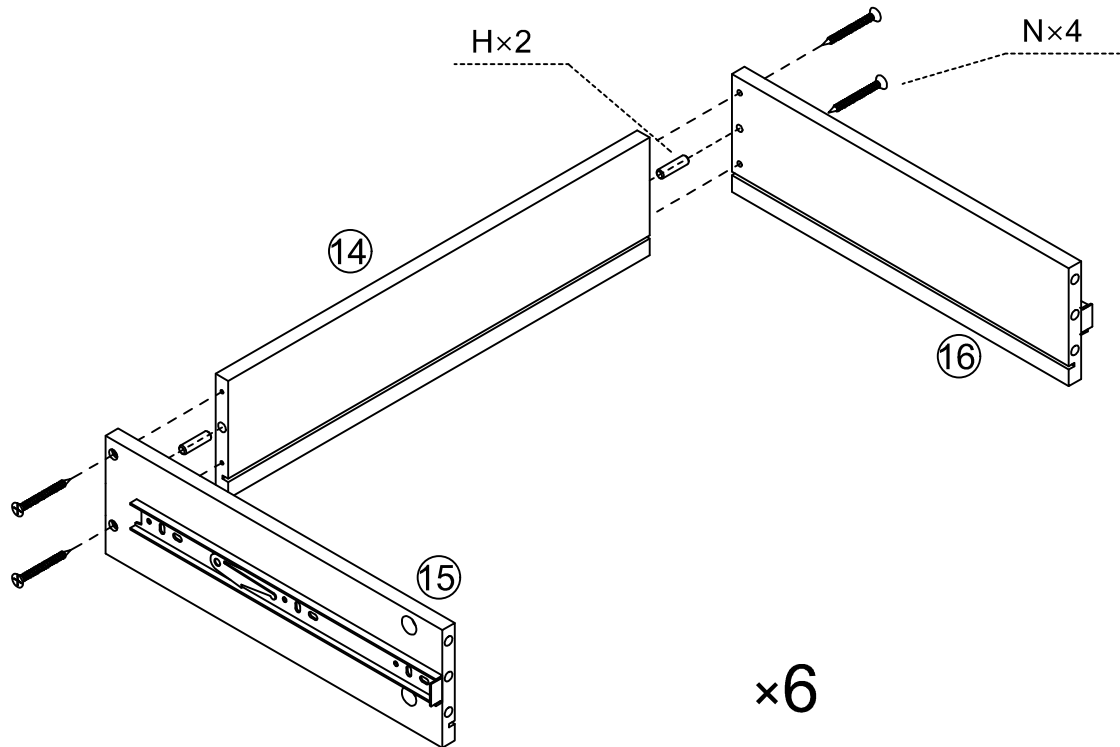




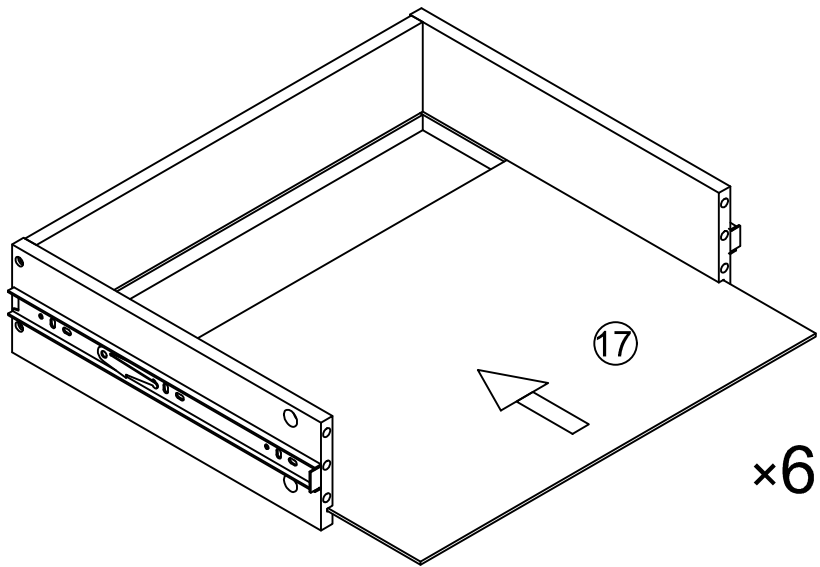
Step 9. Attach handle to the drawer front.



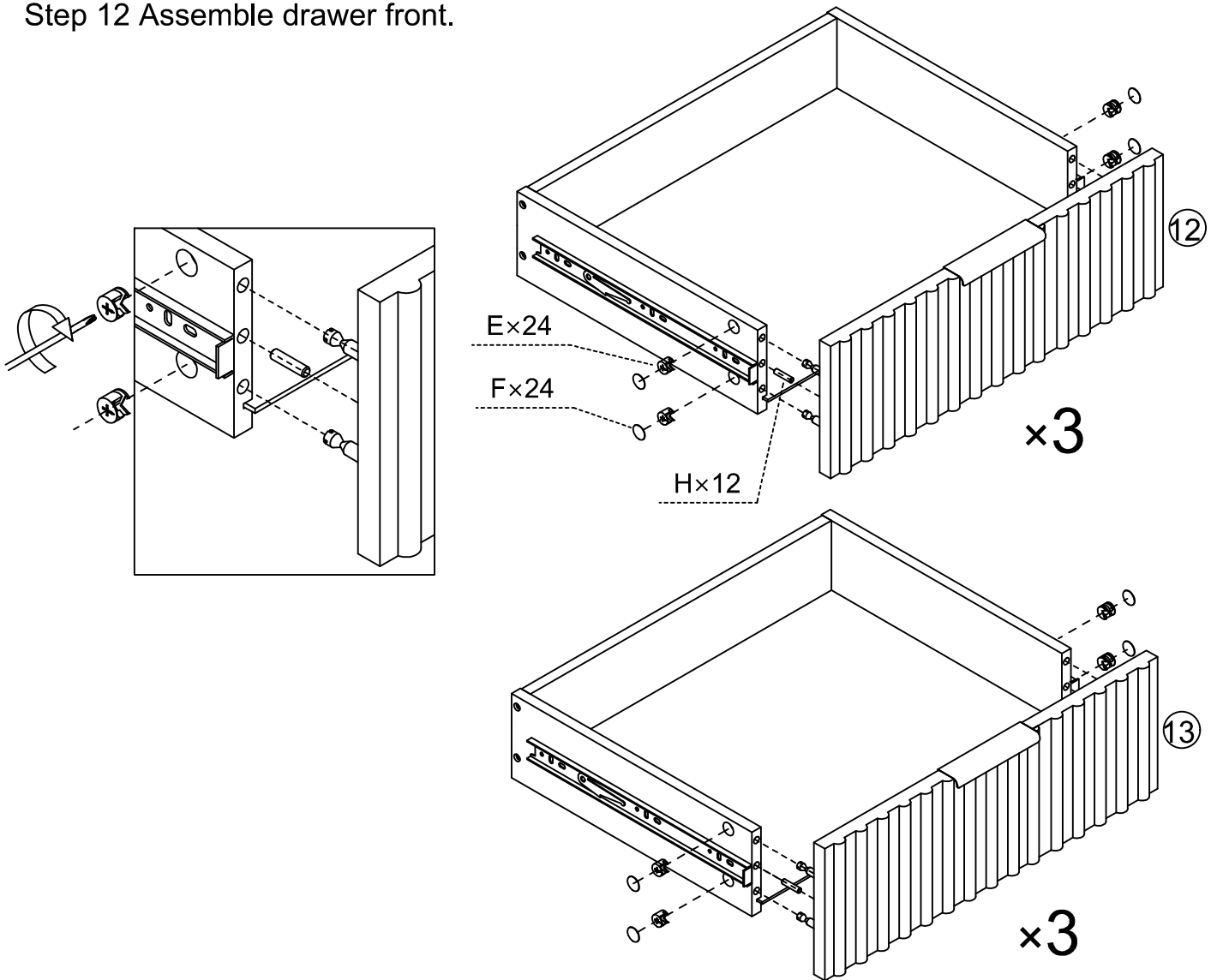
Step 10 Assemble drawers.






Step 11 Assemble drawer bottom panel.

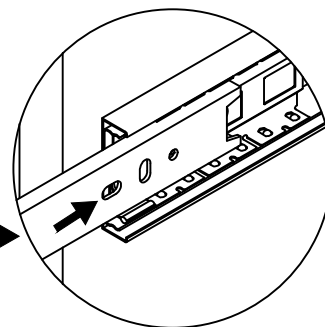
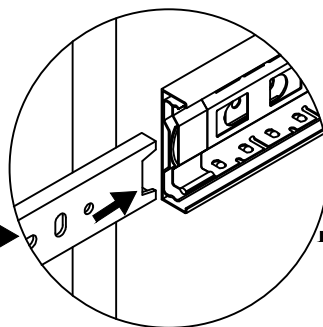
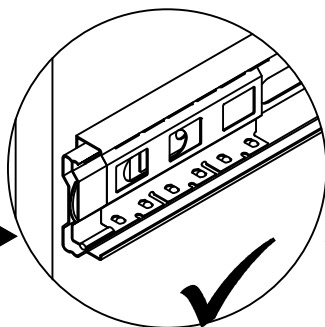
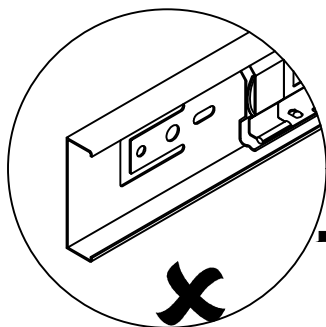
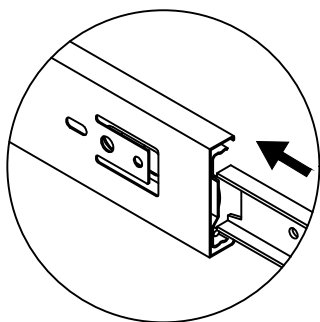
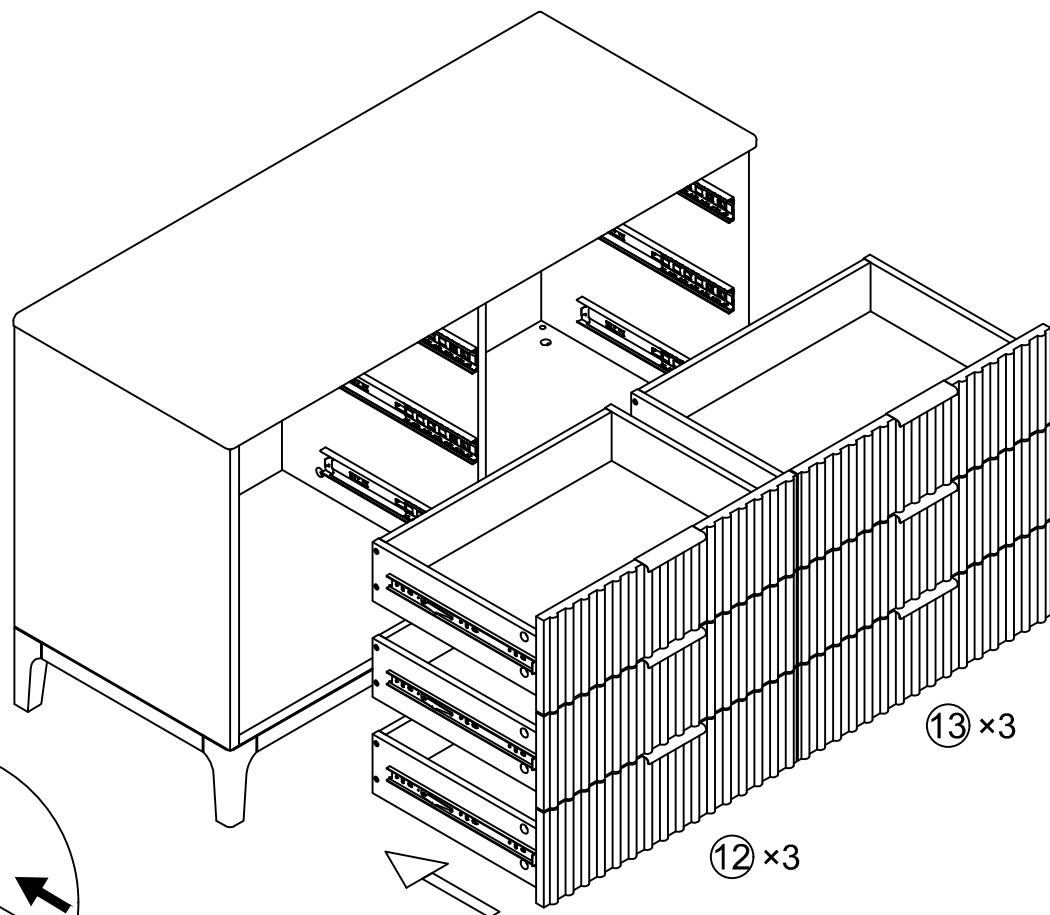


Step 12 Assemble drawer front.

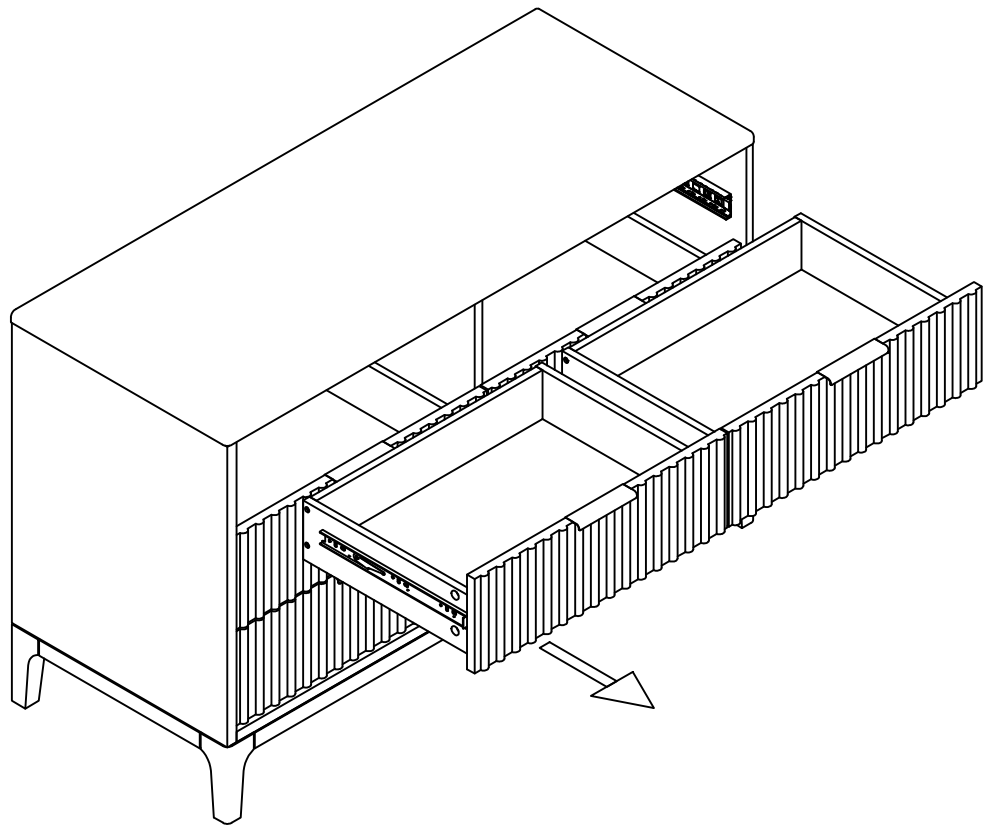
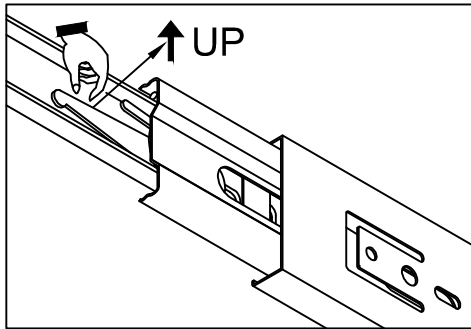
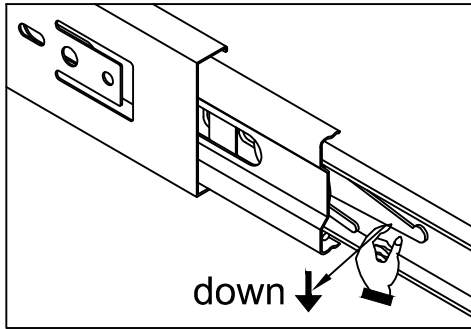


<p><b>E</b></p> 	<p><b>H</b></p> 	<p><b>F</b></p> 
<p>Ø15 x 9.5mm Cam Lock 24pcs</p>	<p>Ø6 x 30mm Dowel 12pcs</p>	<p>Cover 24pcs</p>

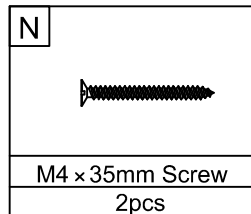
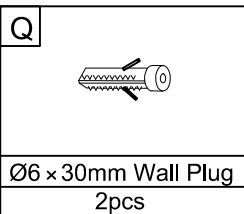
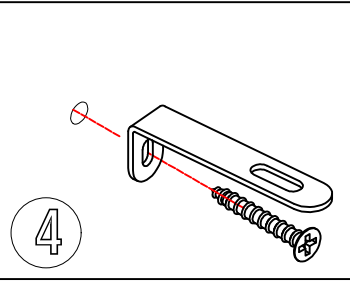
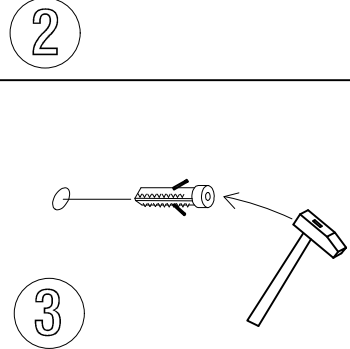
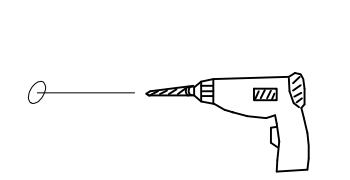
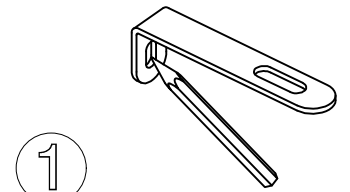
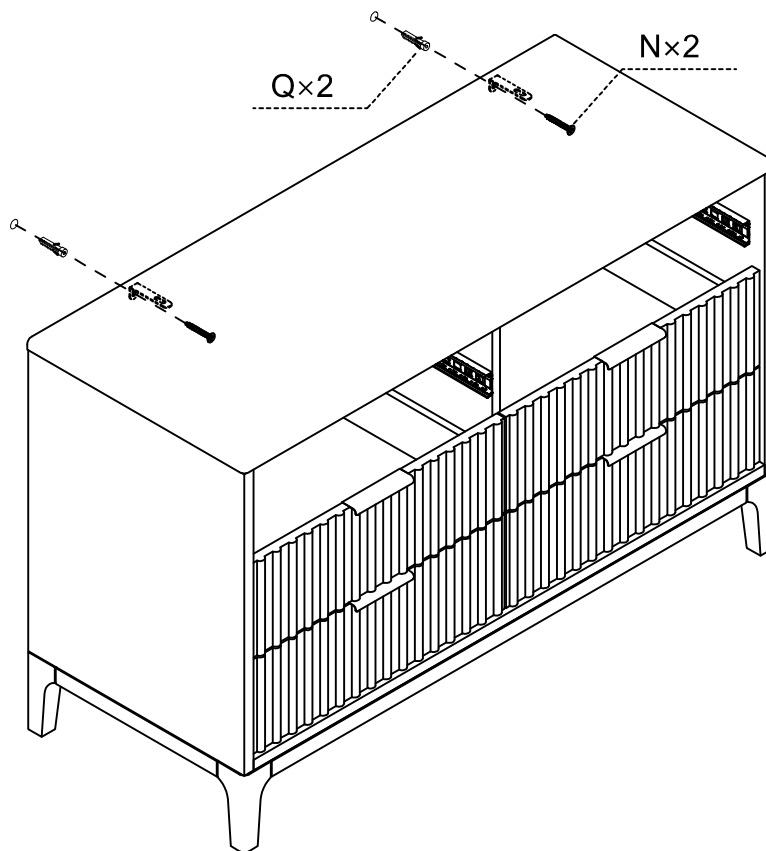
Step 13 Assemble drawers in the chest.



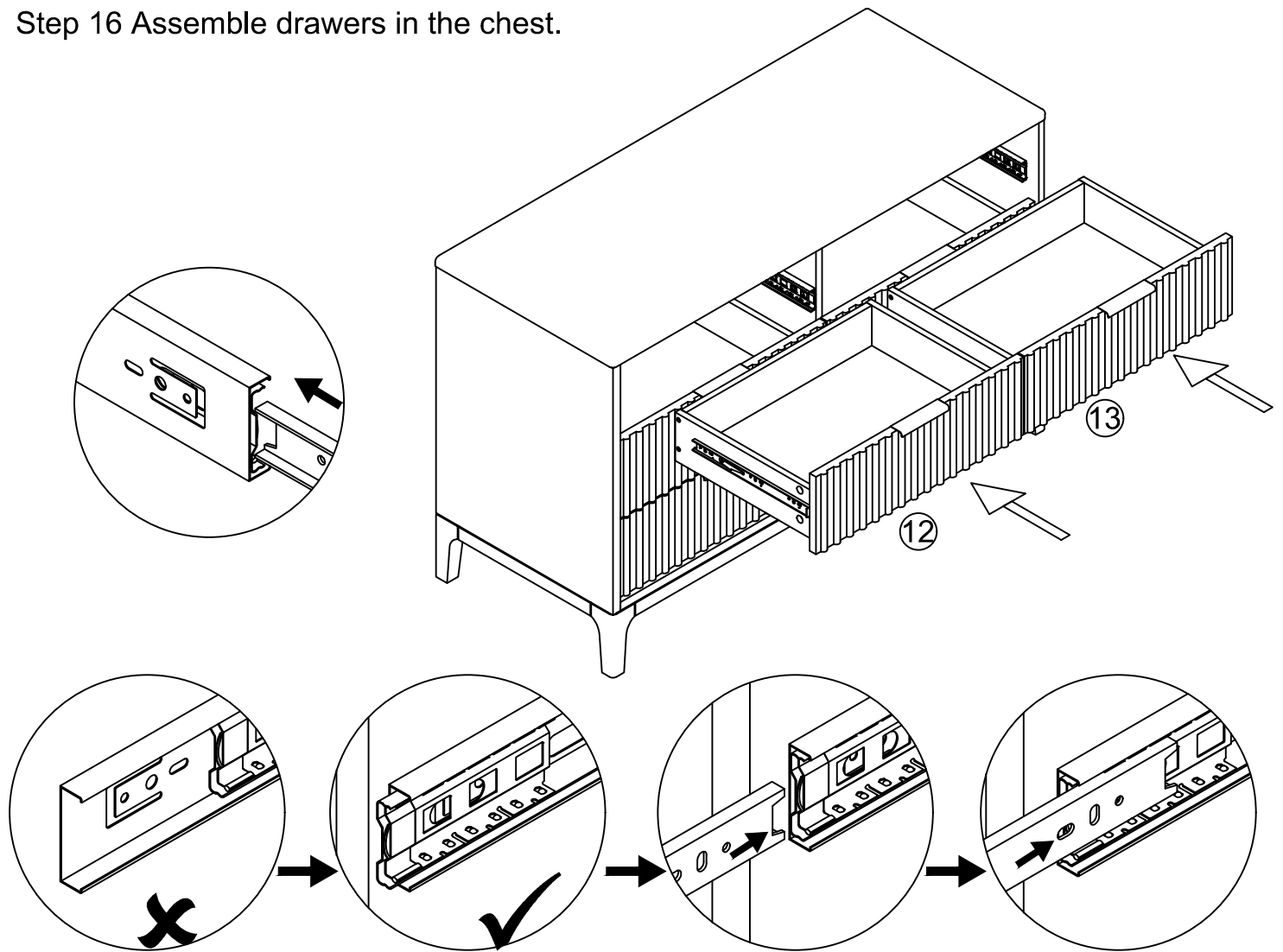
Step 14 Take out the drawer.



Step 15 Fix the L-shaped Bracket to the wall.



Step 16 Assemble drawers in the chest.



Step 17 . Adjust the centre leg bolt to the proper height.

