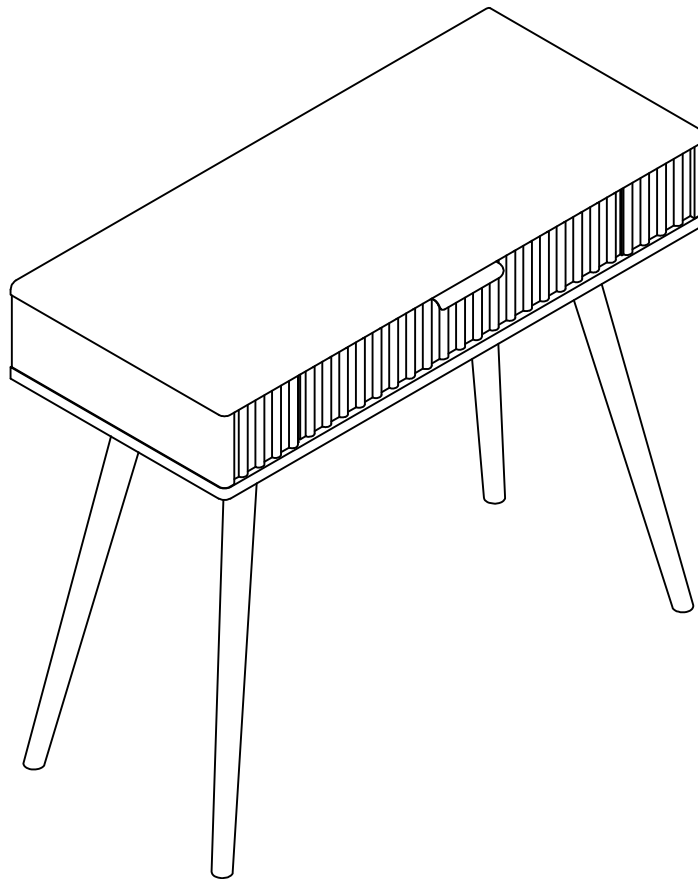
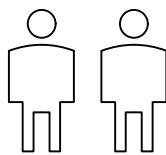


Elena Dressing Table



Up to 20 minutes
assembly time



Two person
assembly

V2.0

IMPORTANT

ASSEMBLY TIP

Before you begin, it's best to identify all of the parts and fittings to build your Elena Dressing Table frame. We advise laying these out on the floor to check you have everything, and to familiarise yourself with all of the parts and fittings before building.

TOP TIP

We recommend that you assemble the Elena Dressing Table in the room you'd like it to be located. This will help prevent any risk of damage to the frame whilst moving it.

SAFETY AND CARE

It's important to ensure children and animals are kept away from the assembly area, as there are small components used in this product which could present a choking hazard. All plastic and wrapping materials should also be kept away from children and animals to prevent any risk of suffocation.

HELP AND SUPPORT

Please contact our customer service team on 0113 519 0311 if you have any questions or issues with your purchase.

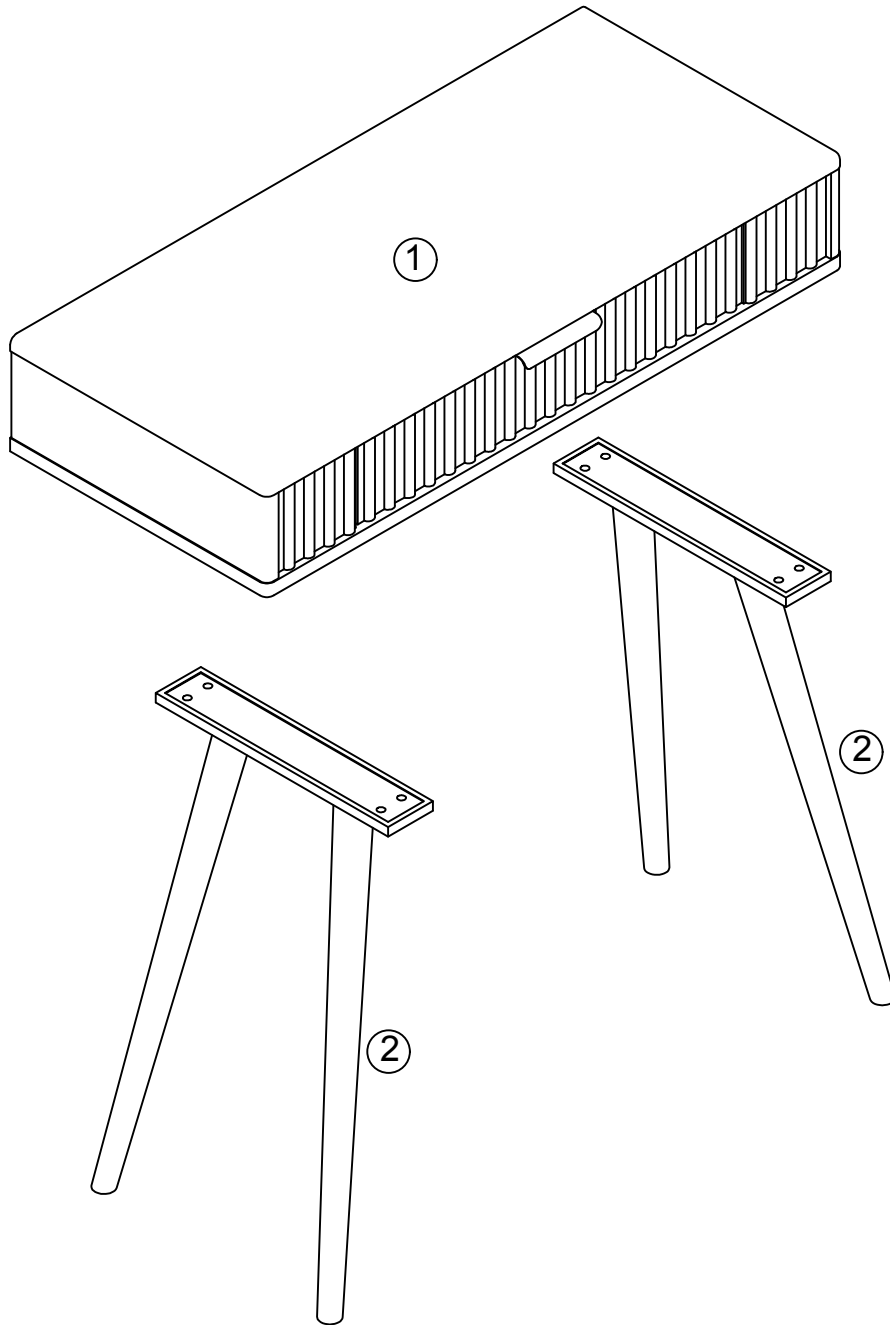
RECYCLING

Please ensure that packaging is disposed of in a safe and environmentally friendly way, and recycle where possible. Please keep your assembly instructions safe to refer back to in the future.

CARE AND MAINTENANCE:

1. Only clean using a damp cloth, do not use bleach or abrasive cleaners as they may damage the finish over time.
2. Do not use a very wet cloth or allow any liquid to contact with the veneer for a long period of time. Wipe any spillage immediately. Absorption can cause wood to warp or finishes to de-laminate.
3. Do not scrub or rub the surface when cleaning.
4. Do not drag the Elena Dressing Table when moving, lift it off the floor instead.
5. Use a placemat or a coaster when putting hot items (e.g. hot drinks and dishes) on the wood surface.
6. It is not recommended to place the item next to sources of heat such as radiators, fires or directly exposed to sunlight. This may cause the wood to crack, split or fade due to the heat and humidity.
7. Wood will mellow and change colour over time, we recommend that ornaments and items placed on the surface to be moved regularly to prevent uneven mellowing.
8. Regularly check all fixings to ensure none have come loose. Re-tighten if necessary.
9. Avoid sharp items such as a screwdriver or any pointy tools.
10. Dispose of all packaging carefully and responsibly - recycle where possible.

Parts








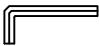
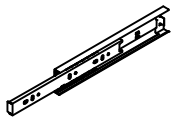
Parts list

Before you begin building your Table, please take a moment to read through the instructions and make sure that you have all the relevant parts listed on the parts check list.

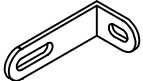



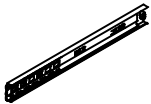
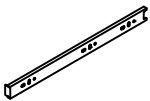



Part Number	Part Description	Quantity	Box No
①	Frame	1pc	Box 1
②	Leg	2pcs	Box 1

Fittings

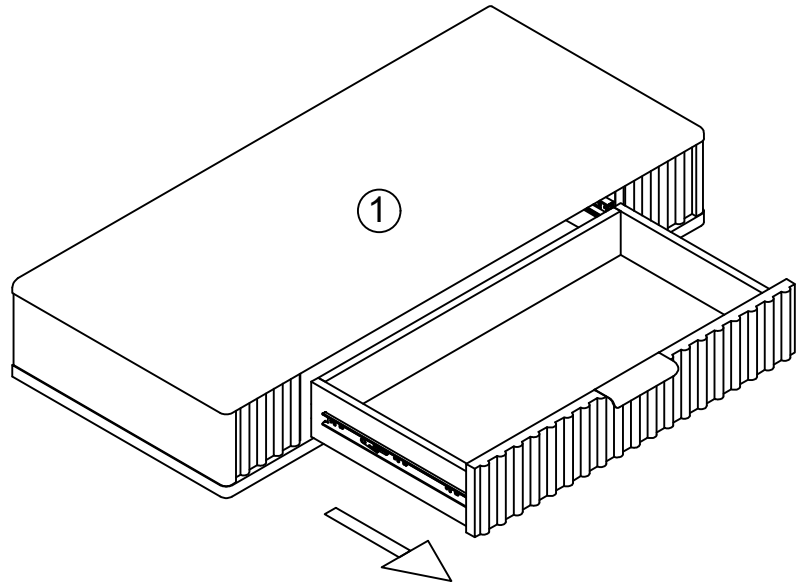
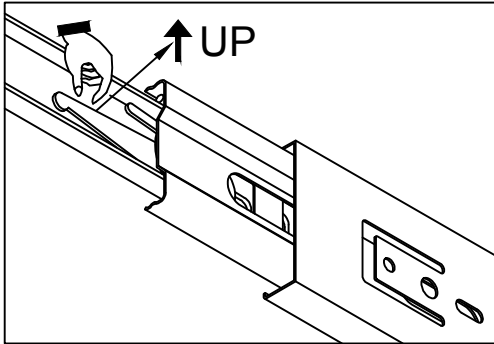
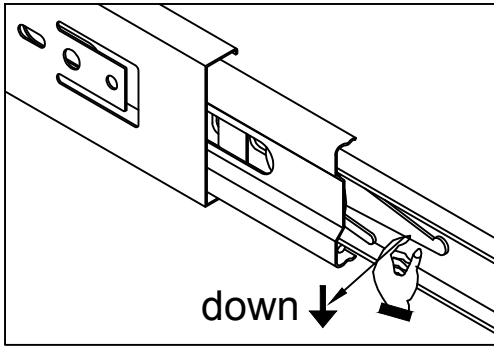
Please check you have all the fittings listed below with your product in box 1.

A 	B 	C 	D 	E 
M8 x 35mm Bolt 8pcs+1pc extra	Ø8 Flat Washer 8pcs+1pc extra	Ø8 Spring Washer 8pcs+1pc extra	Ø6 x 30mm Wall Plug 1pc	M4x35mm Screw 1pc
F 	K 			
M5 Allen key 1pc	Slide pre assembled 2pcs			

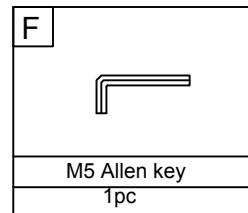
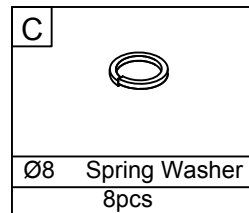
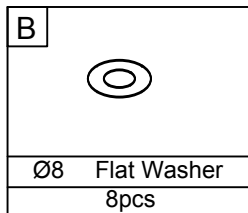
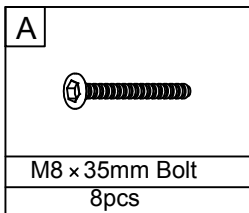
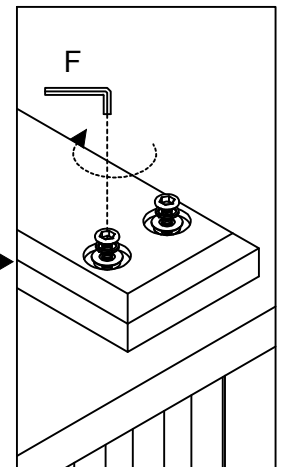
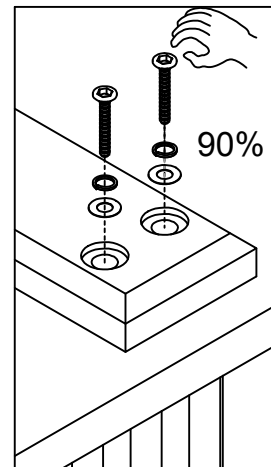
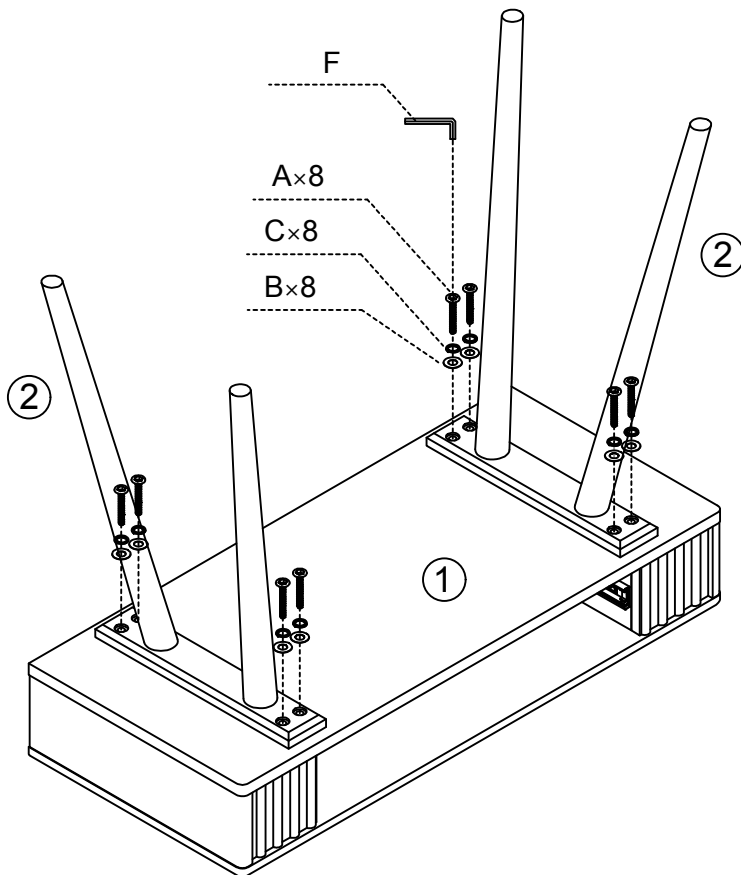
Pre- assembled Fitting

G 	H 	I 	J 	K₁ 
Wall Bracket 1pc	M4x16mm Screw 1pc	Handle 1pc	M3x14mm Screw 2pcs	Slide 2pcs
K₂ 	L 	M 	N 	
Slide 2pcs	M3.5x16mm Screw 8pcs	M3.5x12mm Screw 8pcs	Ø17x5mm Foot Peg 4pcs	

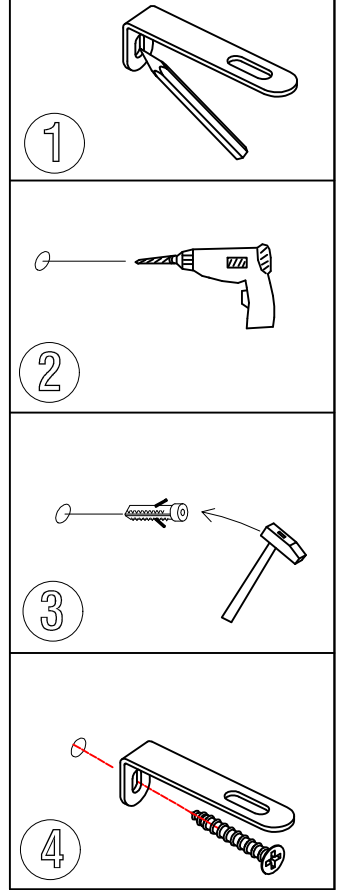
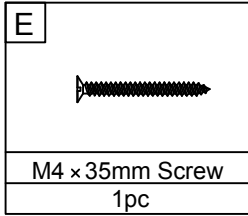
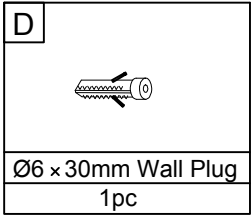
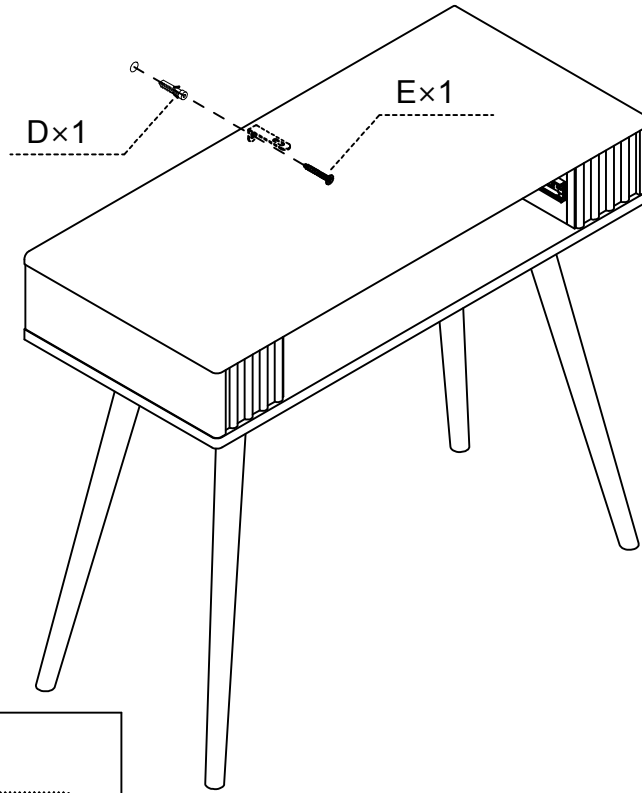
Step 1. Take out the drawer.



Step 2. Attach Legs to the frame.



Step 3. Fix the L-shaped Bracket to the wall.



Step 4. Assemble drawer in the table.

