

DUSK.COM

LIVING | BEDROOM | DINING

Range Name : DARCEY

Box 1 Dimensions : W192xD59xH11cm

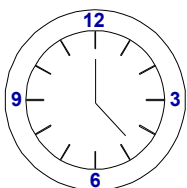
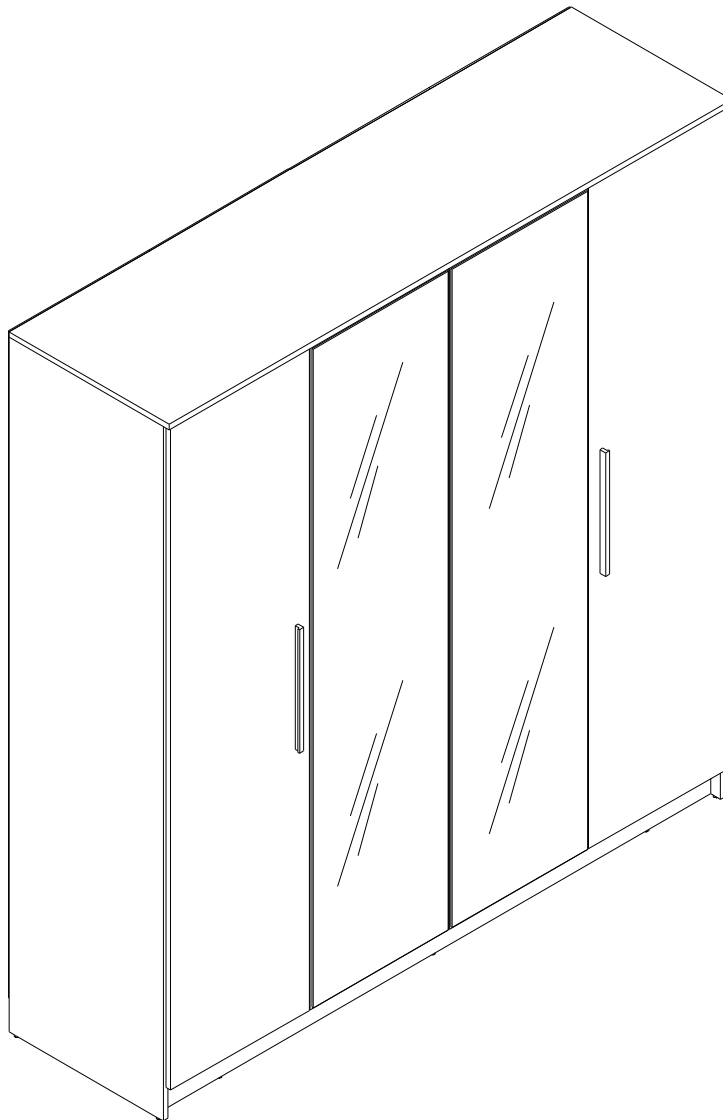
Box 2 Dimensions : W203xD61xH9cm

Box 3 Dimensions : W195xD54xH8cm

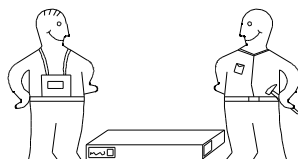
Box 4 Dimensions : W195xD54xH8cm

Product Dimension: W178xD51xH193cm

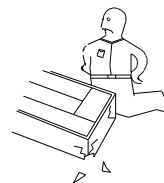
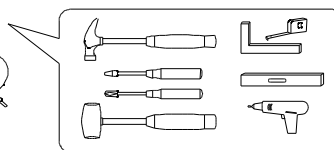
Darcey Wardrobe



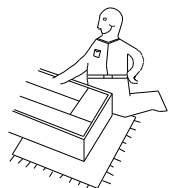
Up to 150 minutes
assembly time



Two person
assembly



install on a soft surface



This product is intended for domestic use only, not for commercial purposes.

IMPORTANT ASSEMBLY TIP

Before you begin, it's best to identify all of the parts and fittings to build your Darcey Wardrobe frame. We advise laying these out on the floor to check you have everything, and to familiarise yourself with all of the parts and fittings before building.

TOP TIP

We recommend that you assemble the Darcey Wardrobe in the room you'd like it to be located. This will help prevent any risk of damage to the frame whilst moving it.

SAFETY AND CARE

It's important to ensure children and animals are kept away from the assembly area, as there are small components used in this product which could present a choking hazard. All plastic and wrapping materials should also be kept away from children and animals to prevent any risk of suffocation.

HELP AND SUPPORT

Please contact our customer service team on 0113 519 0311 if you have any questions or issues with your purchase.






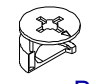

RECYCLING

Please ensure that packaging is disposed of in a safe and environmentally friendly way, and recycle where possible. Please keep your assembly instructions safe to refer back to in the future.


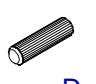
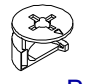


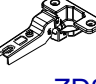

CARE AND MAINTENANCE:

1. Only clean using a damp cloth, do not use bleach or abrasive cleaners as they may damage the finish over time.
2. Do not use a very wet cloth or allow any liquid to contact with the veneer for a long period of time. Wipe any spillage immediately. Absorption can cause wood to warp or finishes to de-laminate.
3. Do not scrub or rub the surface when cleaning.
4. Do not drag the Darcey Wardrobe when moving, lift it off the floor instead.
5. Use a placemat or a coaster when putting hot items (e.g. hot drinks and dishes) on the wood surface.
6. It is not recommended to place the item next to sources of heat such as radiators, fires or directly exposed to sunlight. This may cause the wood to crack, split or fade due to the heat and humidity.
7. Wood will mellow and change colour over time, we recommend that ornaments and items placed on the surface to be moved regularly to prevent uneven mellowing.
8. Regularly check all fixings to ensure none have come loose. Re-tighten if necessary.
9. Avoid sharp items such as a screwdriver or any pointy tools.
10. Dispose of all packaging carefully and responsibly - recycle where possible.







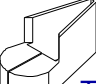

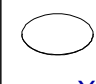
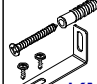
I-III

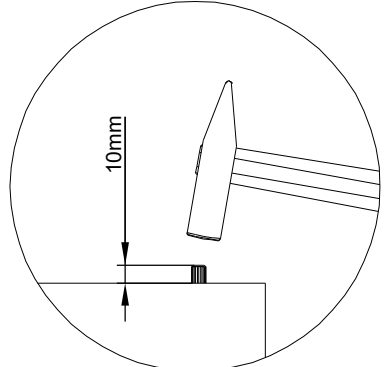
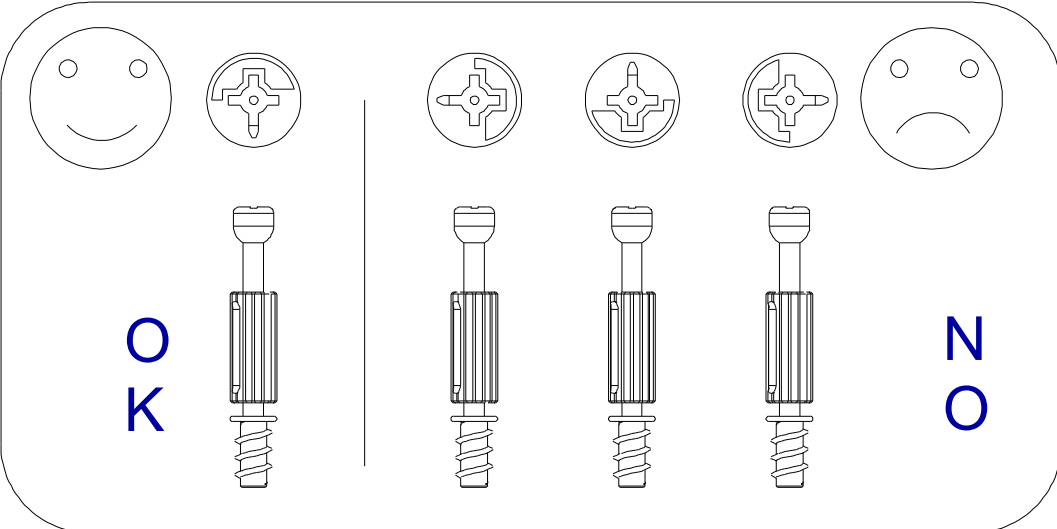
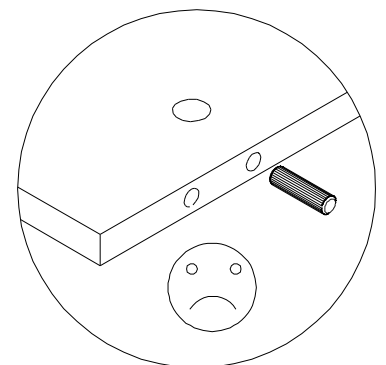
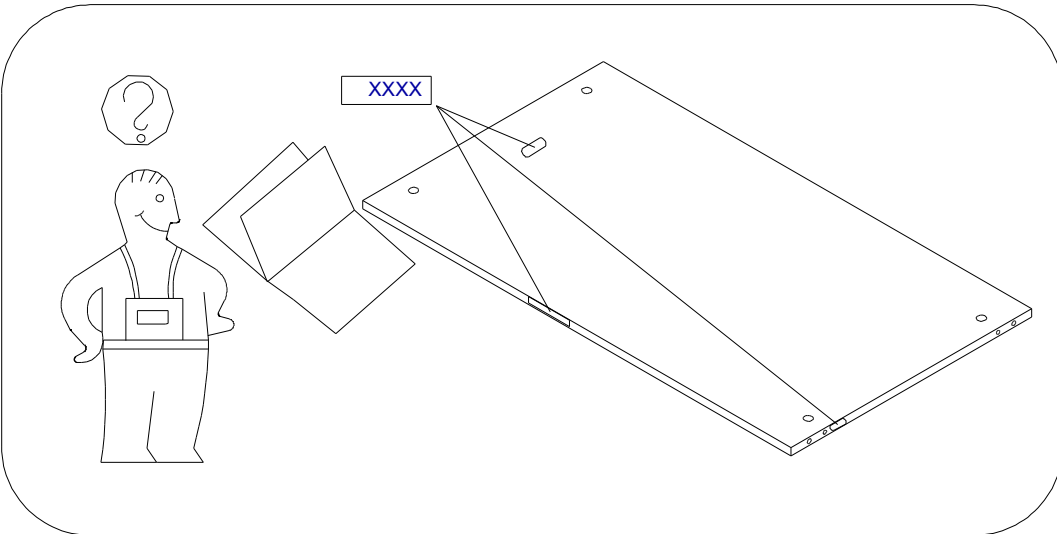
		3x13 				
LD x12	V1 x4	H x4	ZD x4	D x12	B x12	A x12

IV-VII

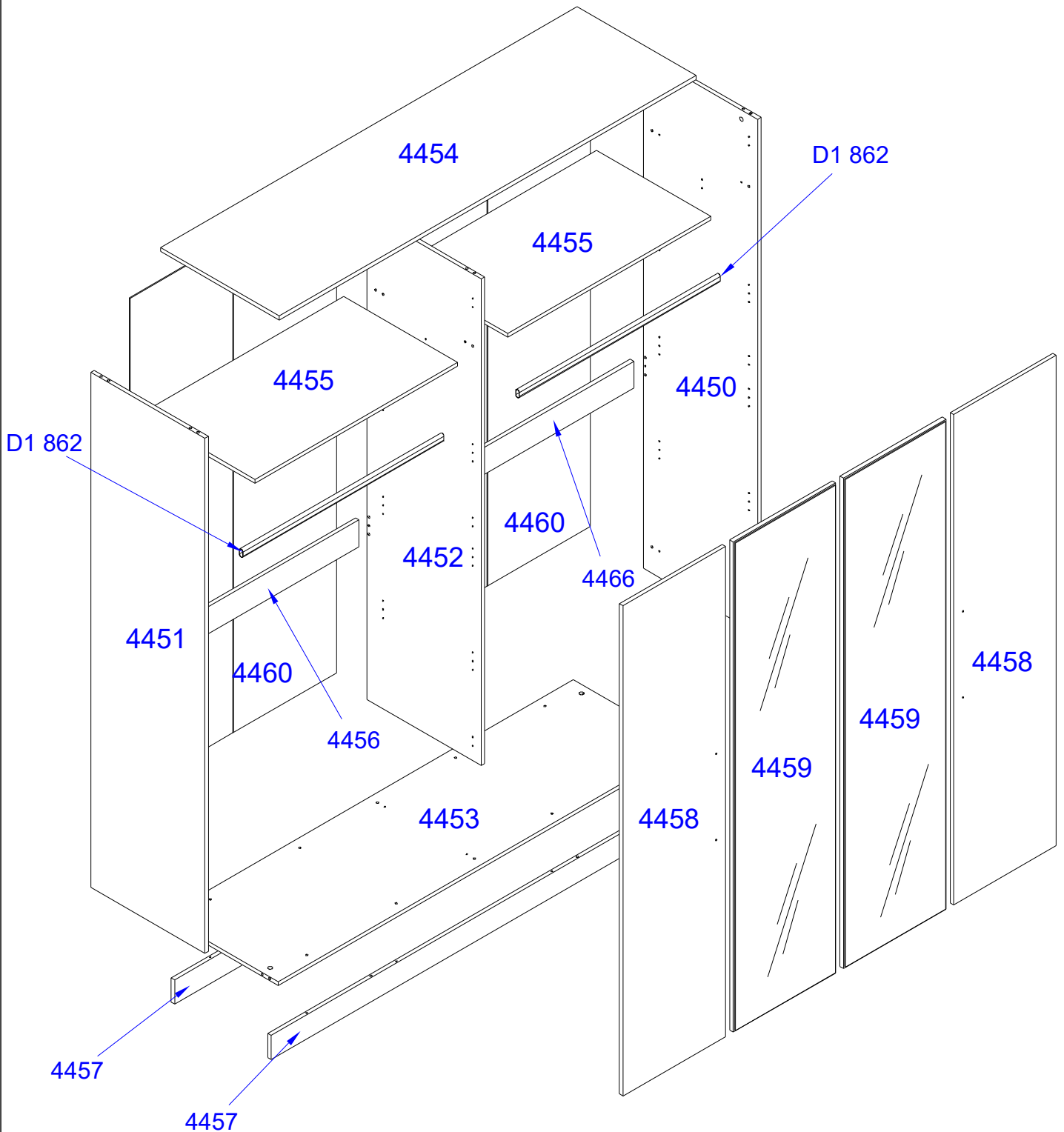
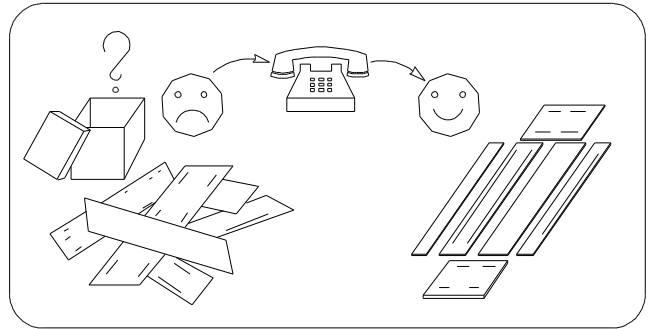
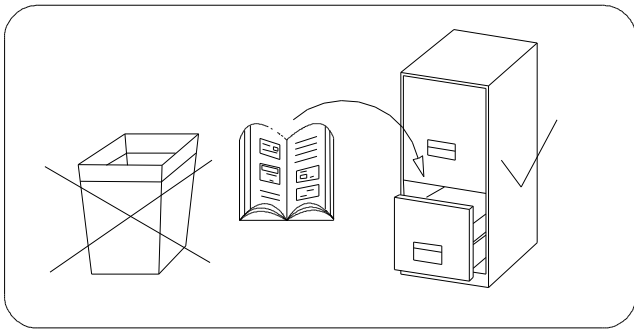
			4x27 			4x16 
A x6	D x16	B x12	H5 x6	F-320 x2	ZD2 x12	H8 x24

VIII-XIX

		7x50 							
V1 x6	D x4	O x8	A1 x3	V3 x66	PD2 x10	T x1	X2 x8	X3 x24	KM x2



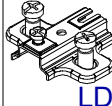


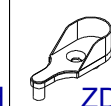
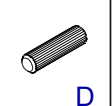
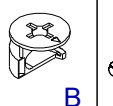

DARCEY WARDROBE

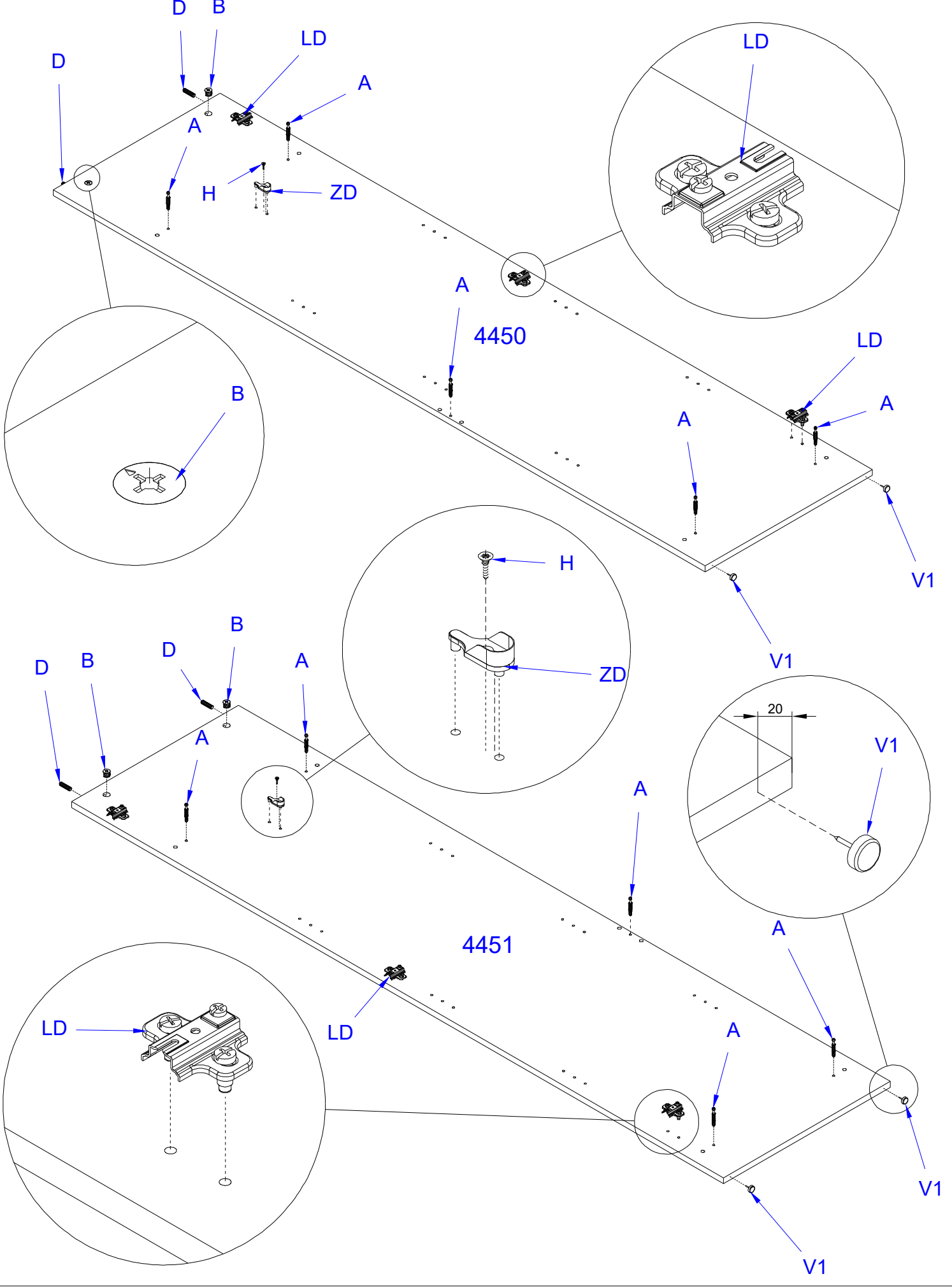


Parts list

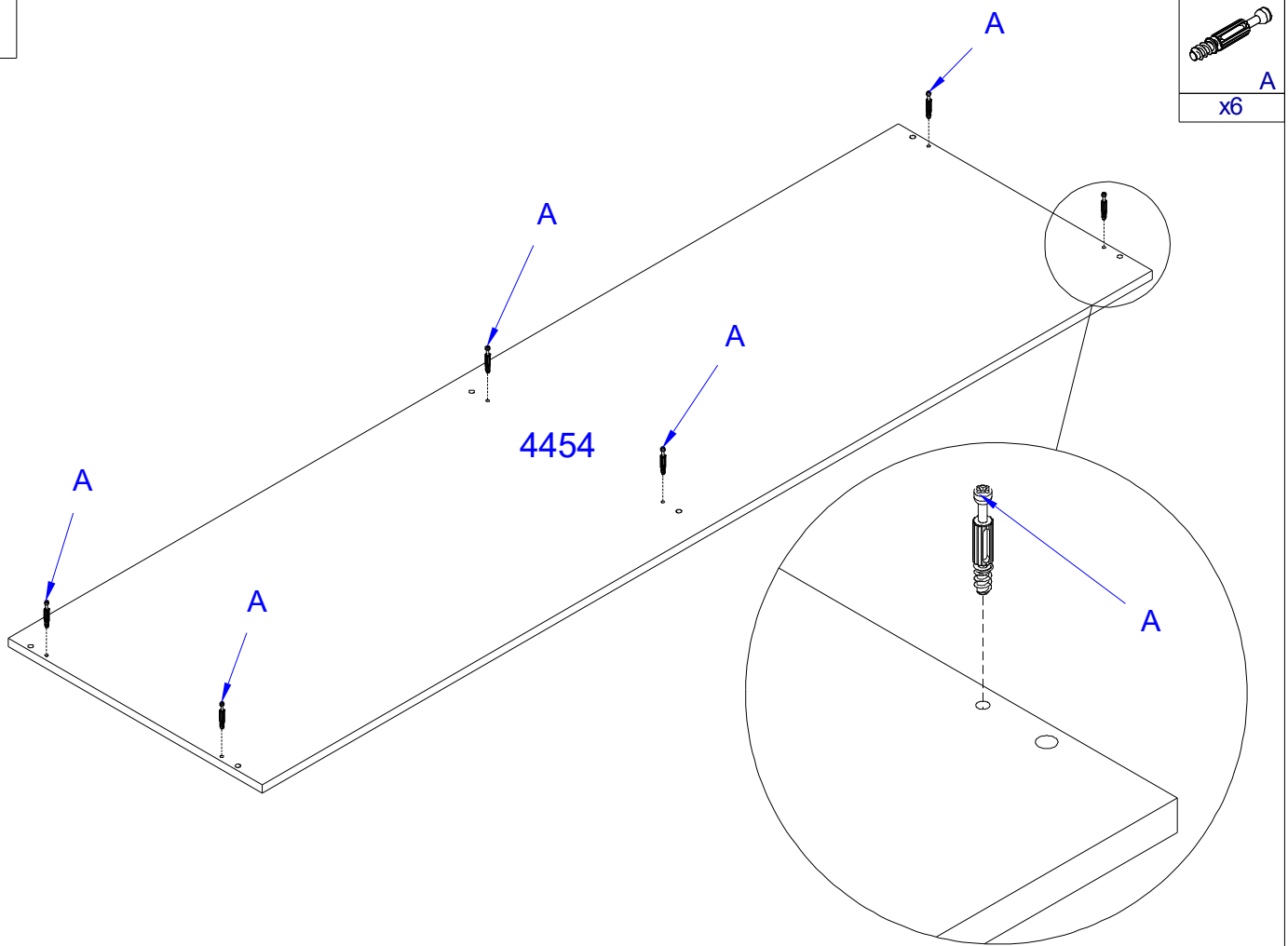
Before you begin building your Darcey Wardrobe, please take a moment to read through the instructions and make sure that you have all the relevant parts listed on the parts check list.

Part Number	Part Description	Quantity	Box No
4450	Left Side Panel	1pc	Box 2
4451	Right Side Panel	1pc	Box 2
4452	Middle Panel	1pc	Box 1
4453	Bottom Panel	1pc	Box 1
4454	Top	1pc	Box 2
4455	Construction shelf	2pc	Box 1
4456	Structural strip	2pc	Box 1
4457	Pedestal	2pc	Box 1
4458	Door Panel	1pc	Box 3
4458	Door Panel	1pc	Box 4
4459	Mirror door	1pc	Box 3
4459	Mirror door	1pc	Box 4
4460	Back Panel	1pc	Box 3
4460	Back Panel	1pc	Box 4
D1 862	Clothes Poles	2pc	Box 1

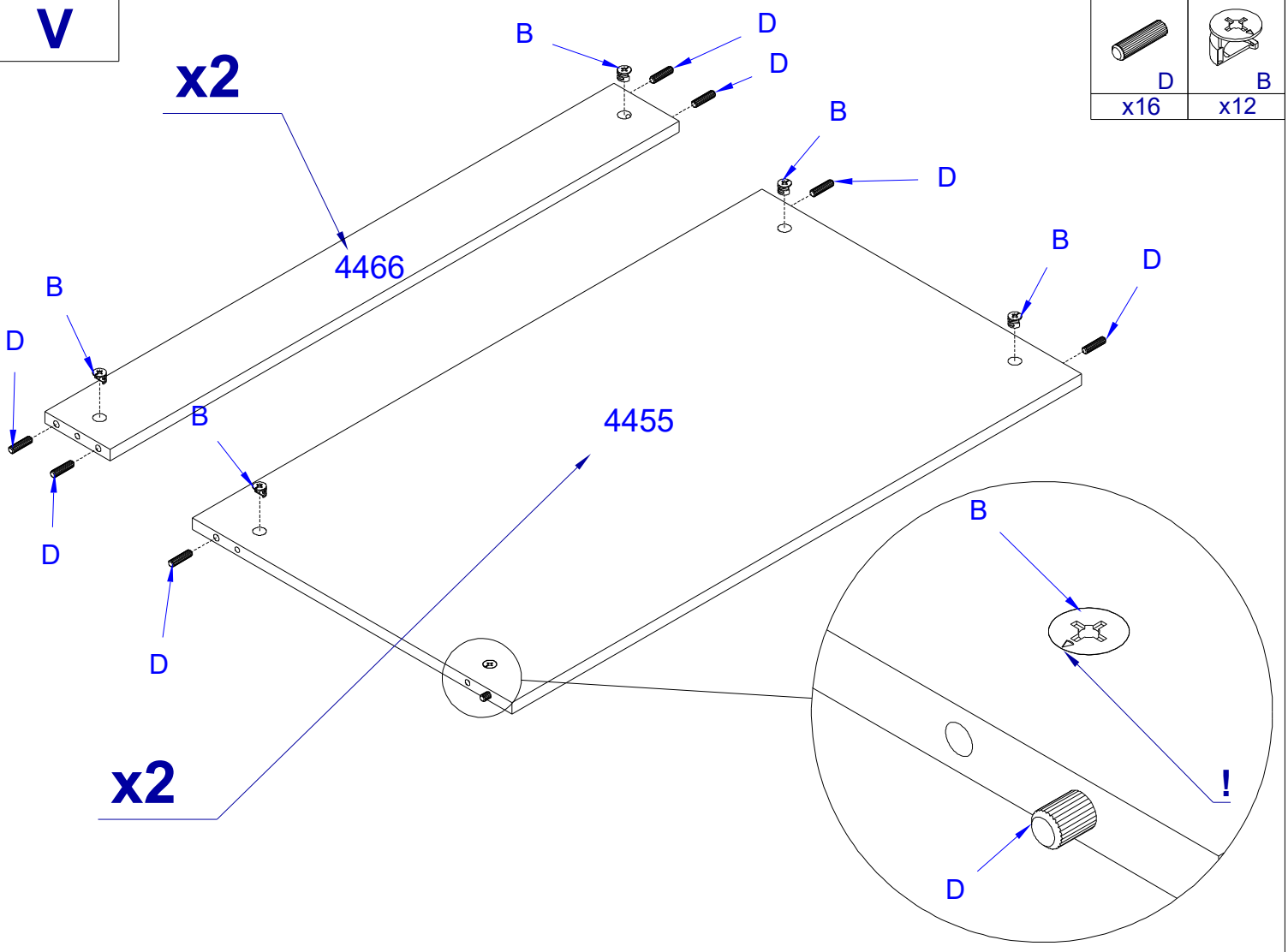
						
LD	V1	3x13	H	ZD	D	B
x6	x4	x2	x2	x4	x4	x10



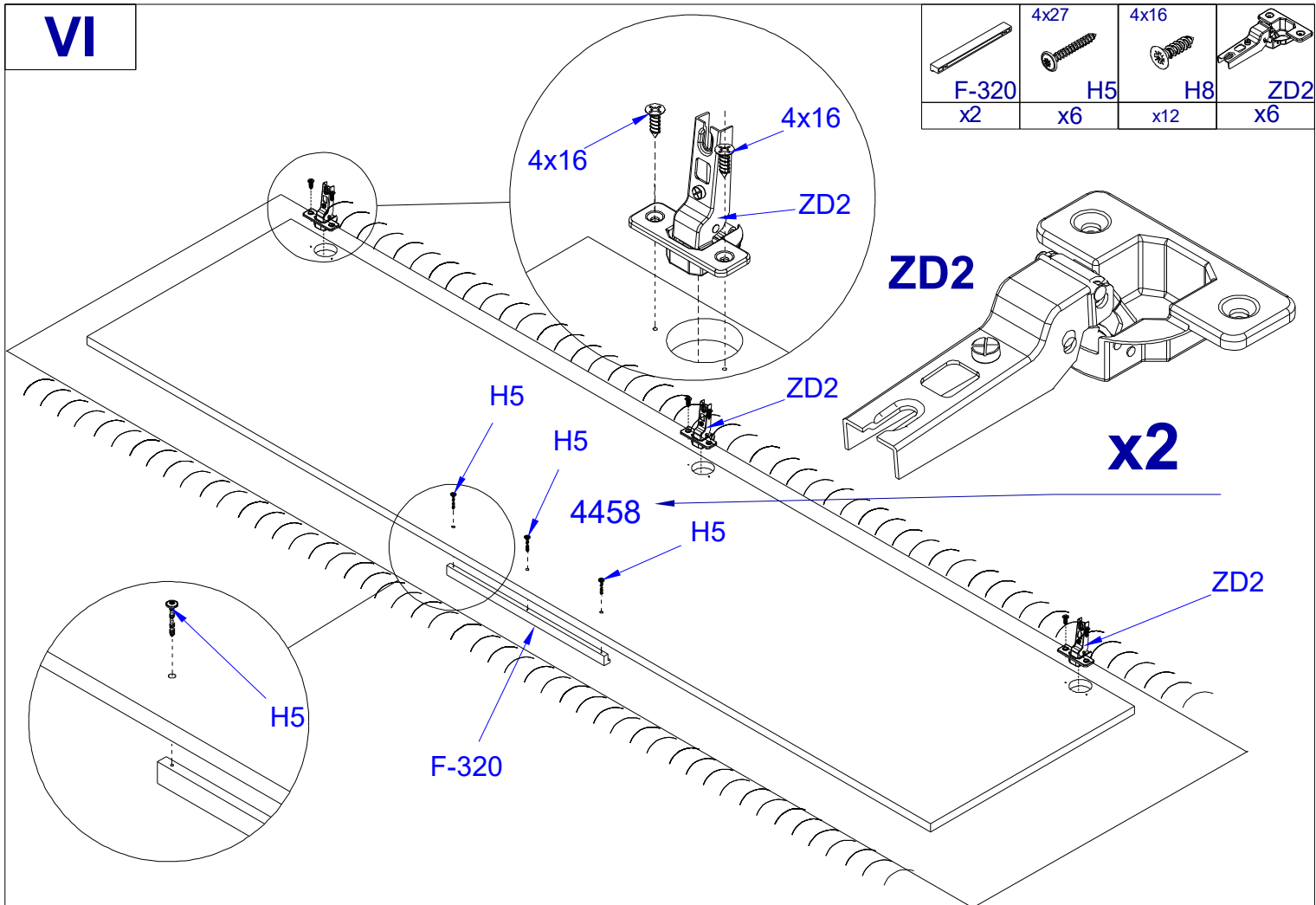
IV



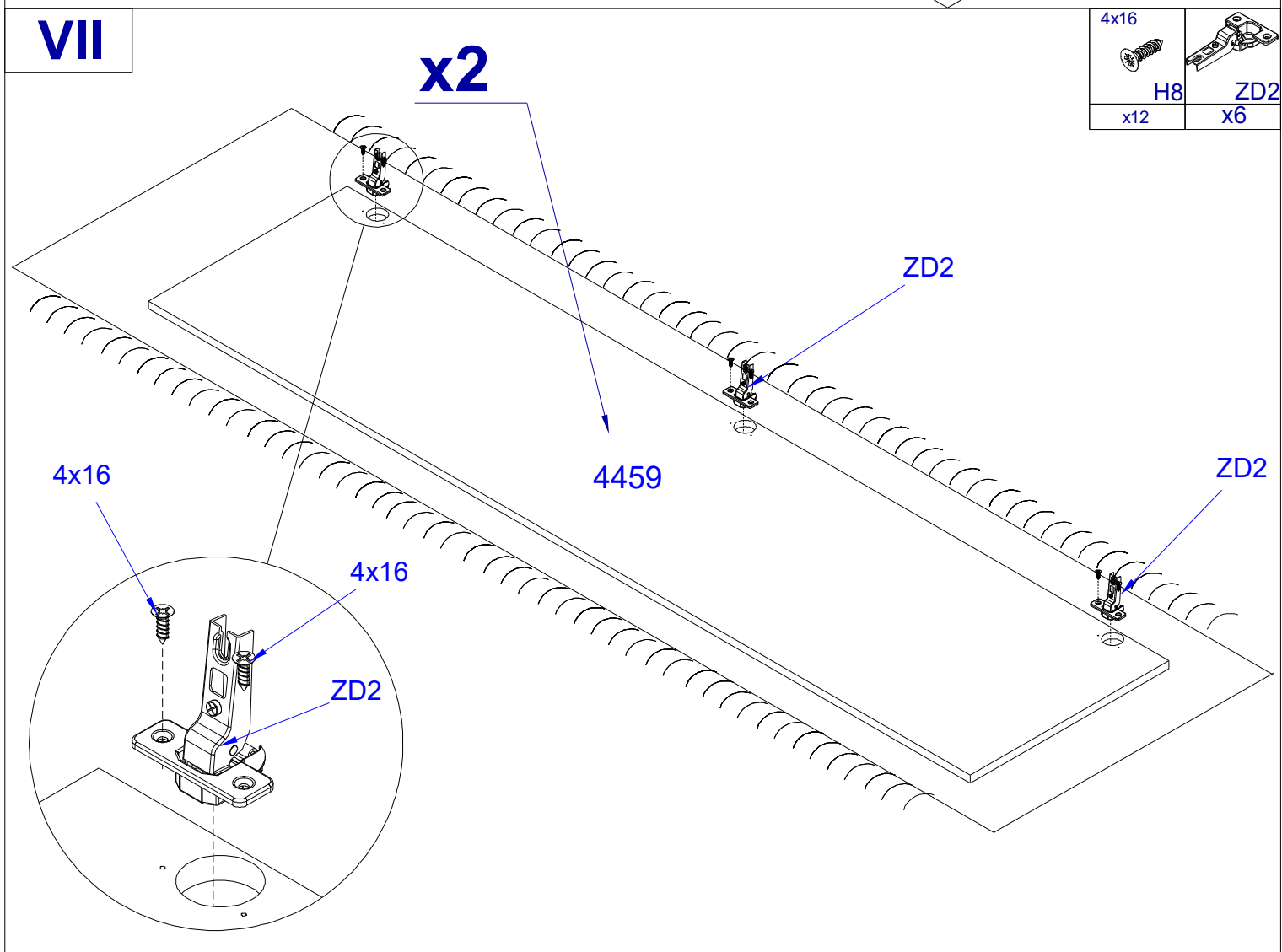
V





VI

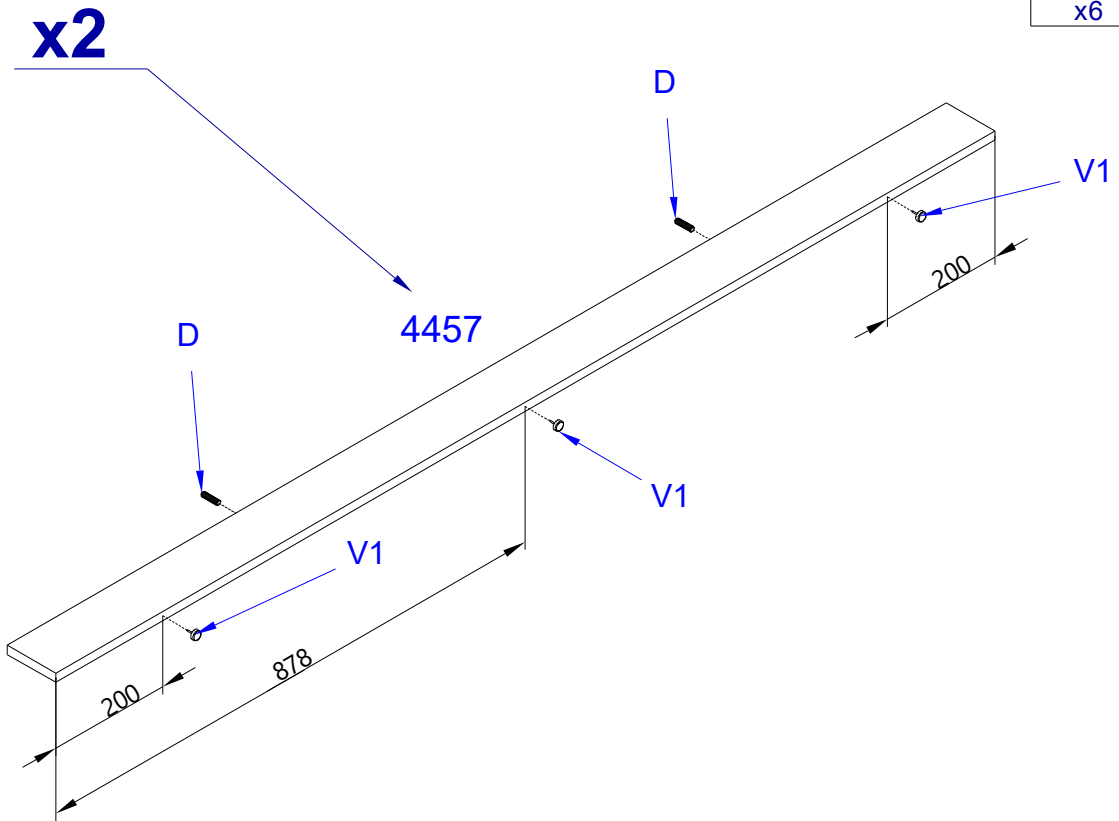


VII




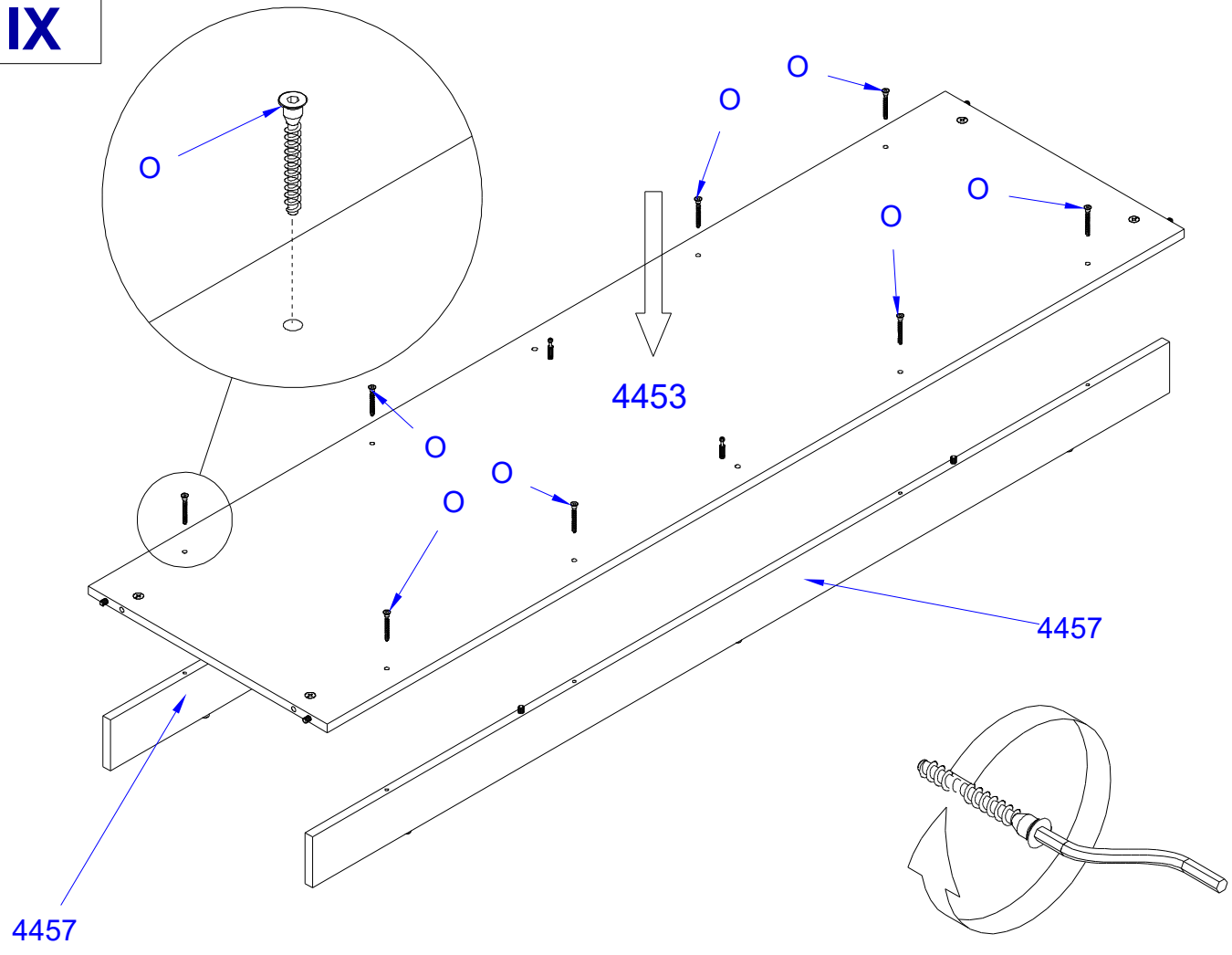
VIII

	
V1	D
x6	x4

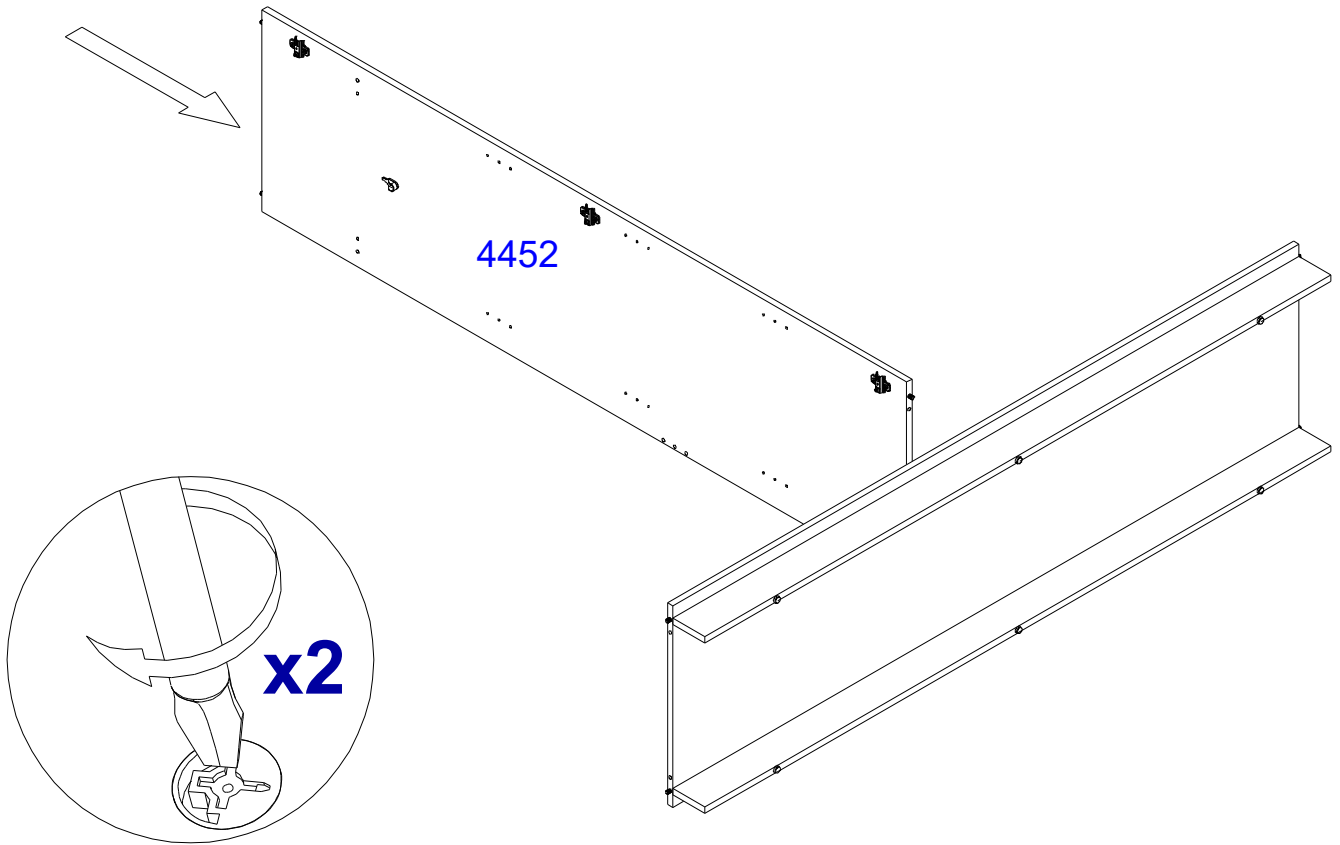


IX

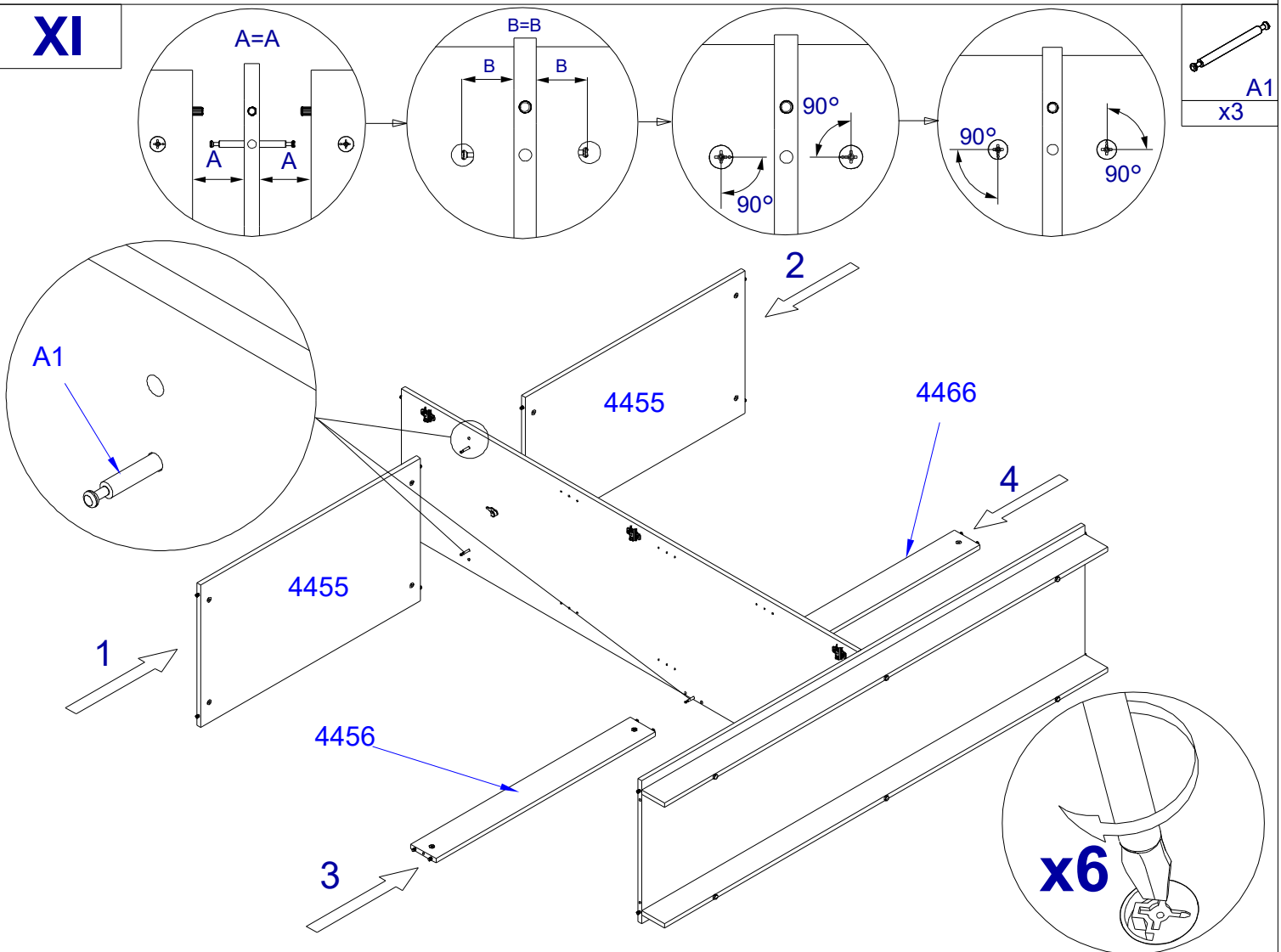

7x50
x8



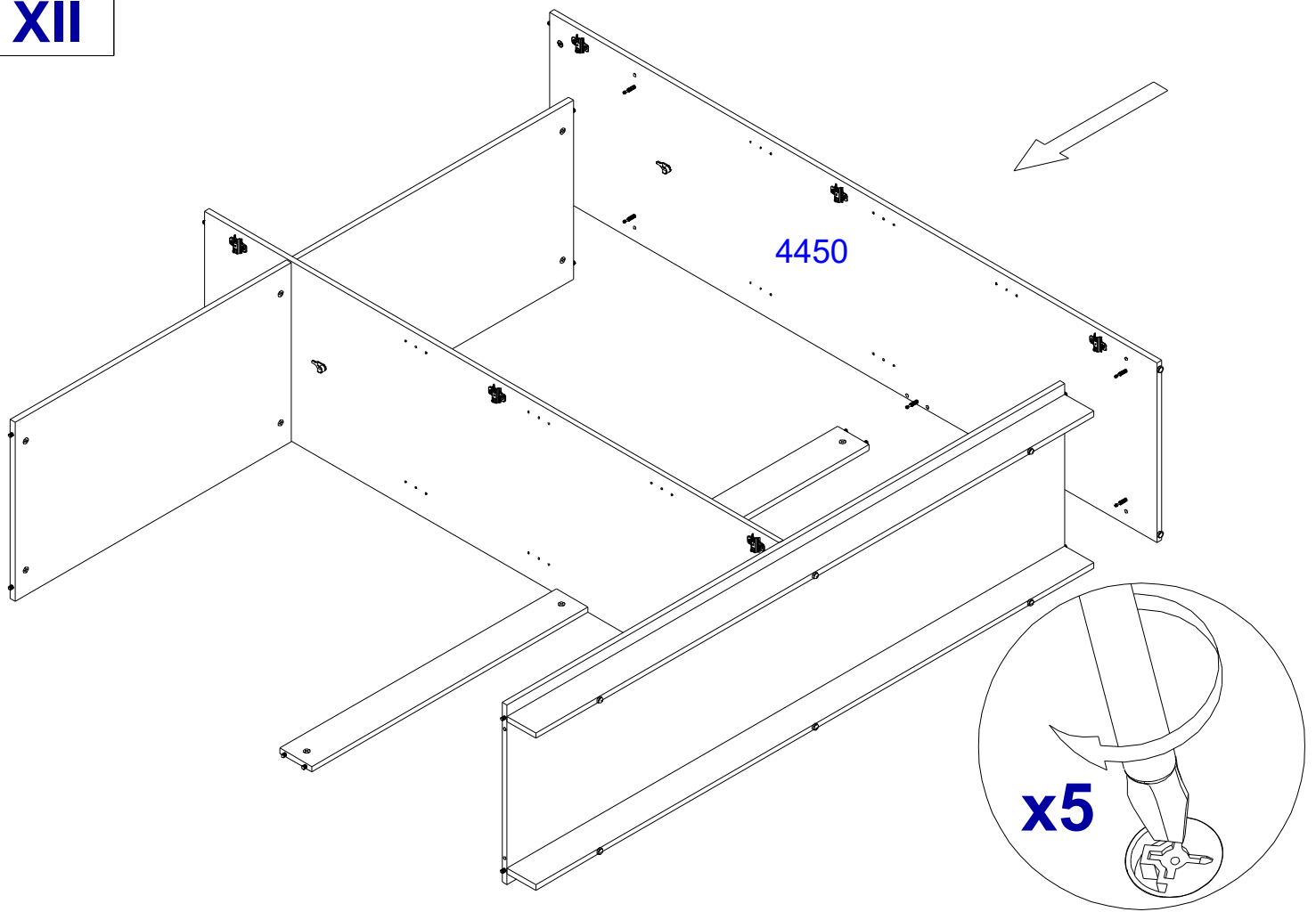
X



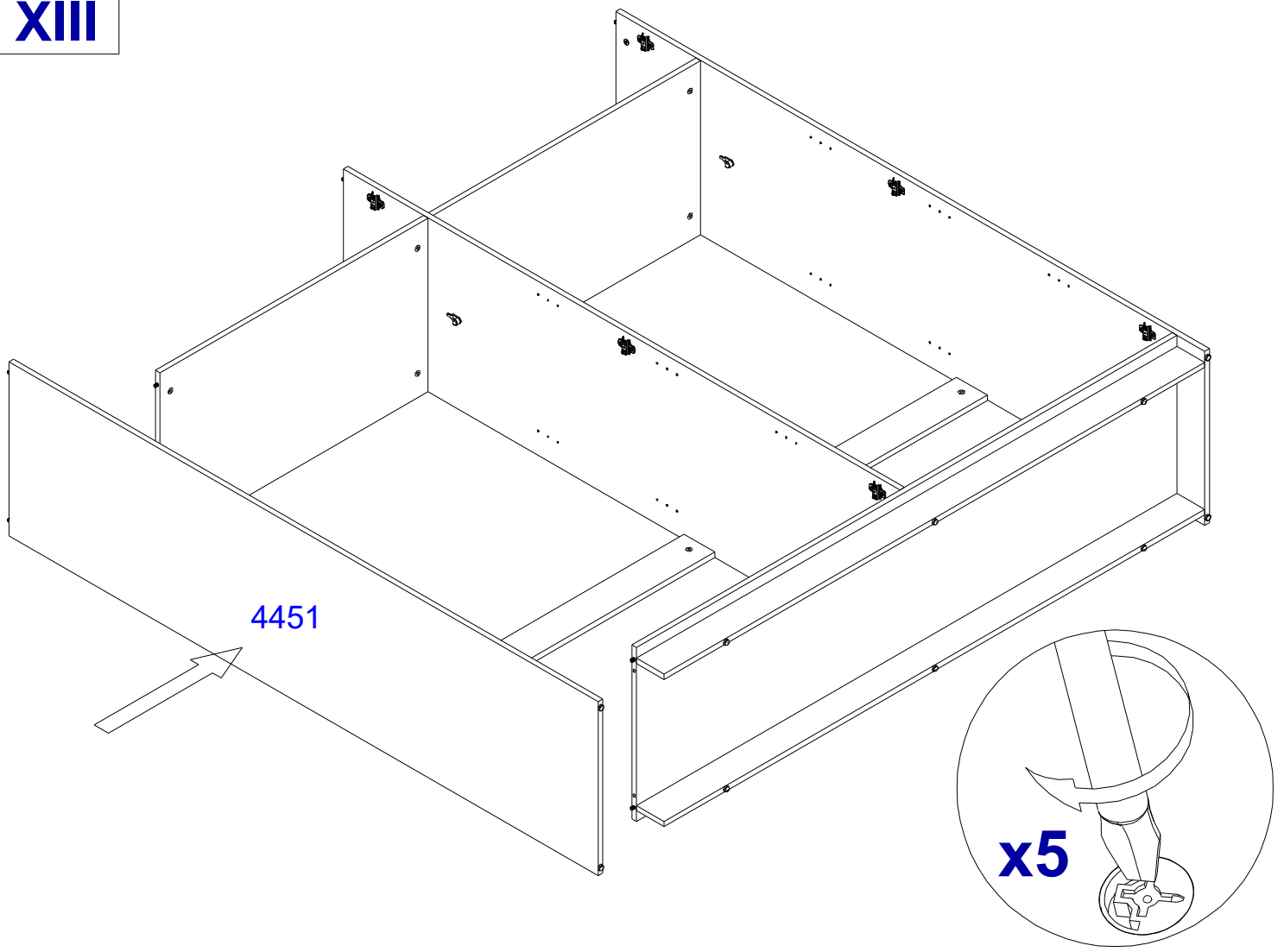
XI



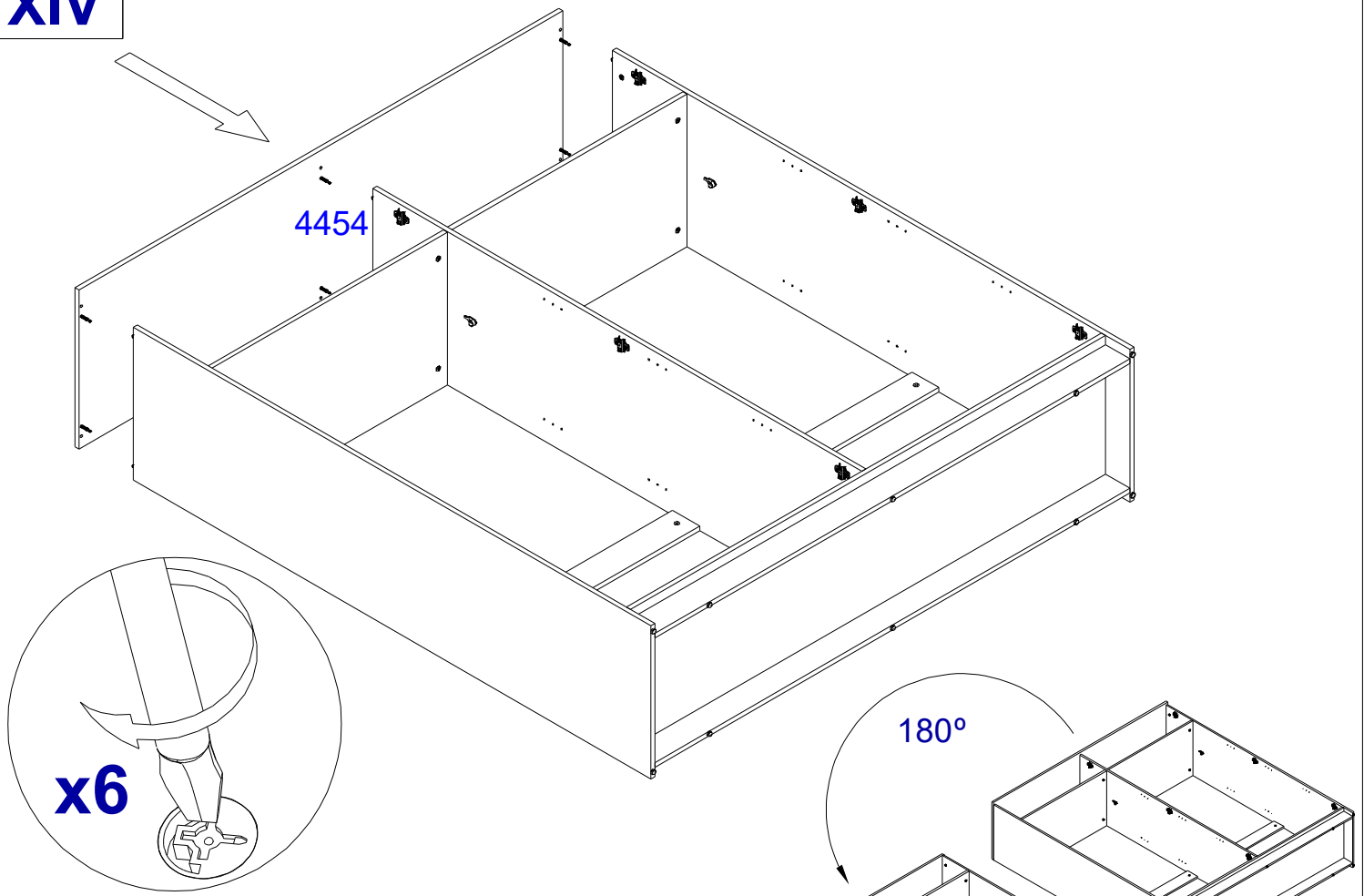
XII



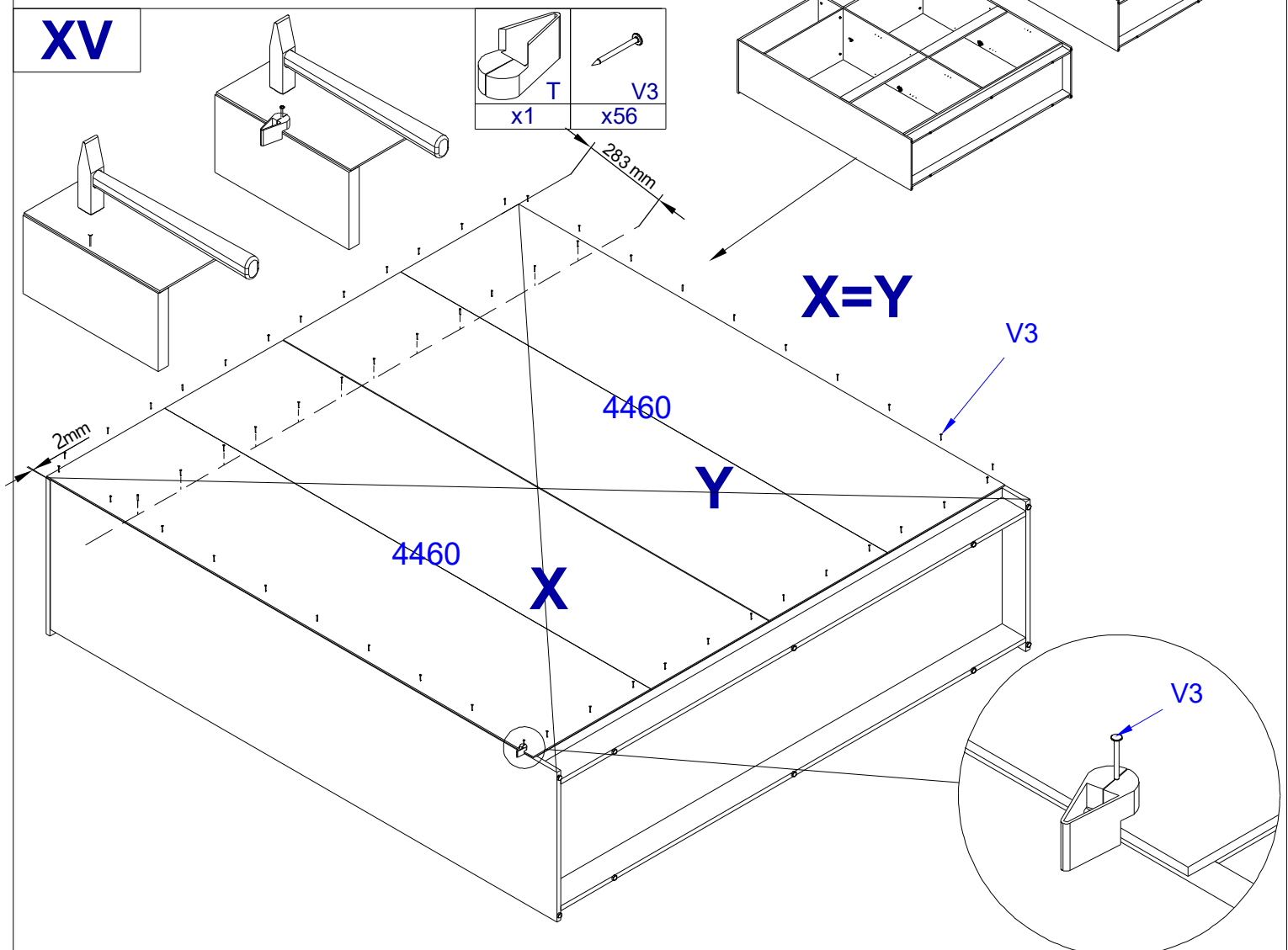
XIII




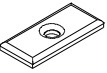
XIV

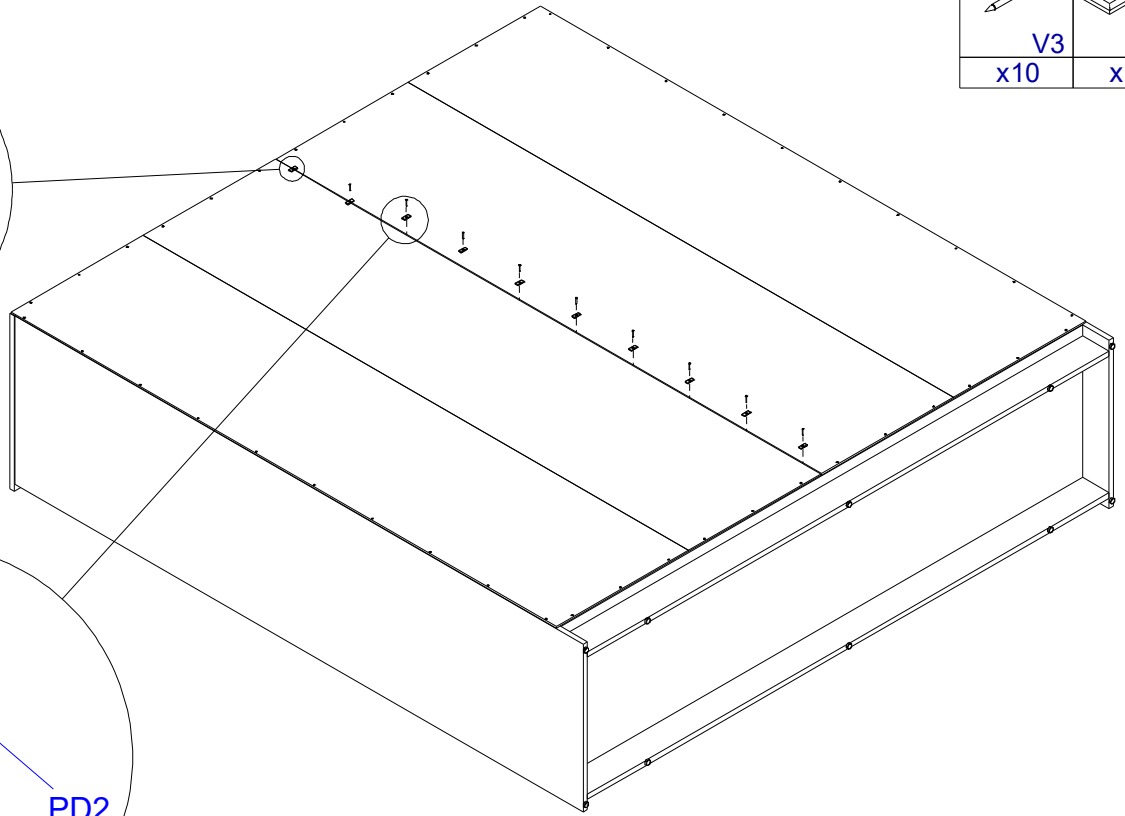
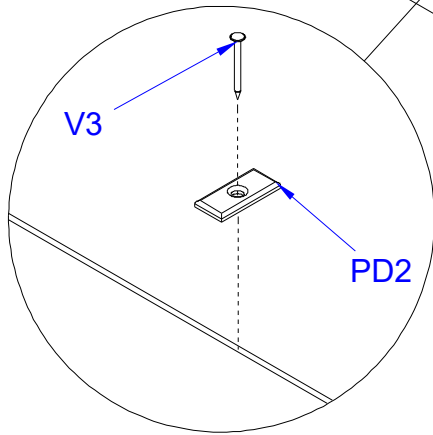
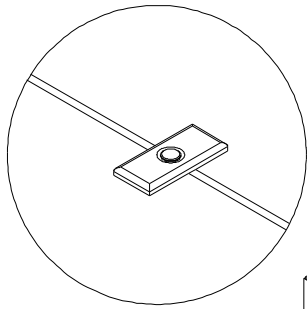


XV





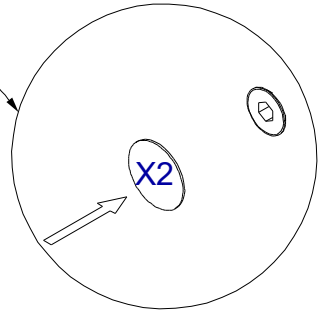
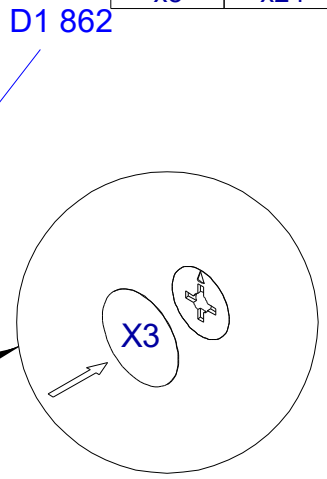
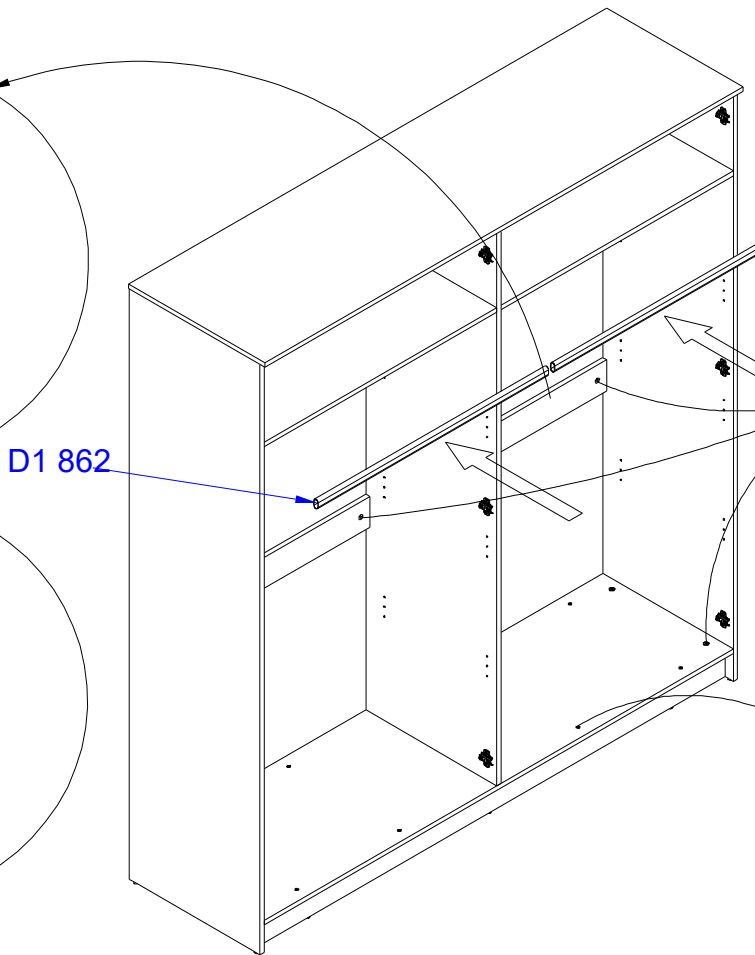
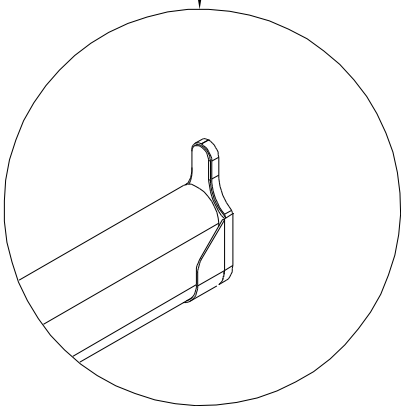
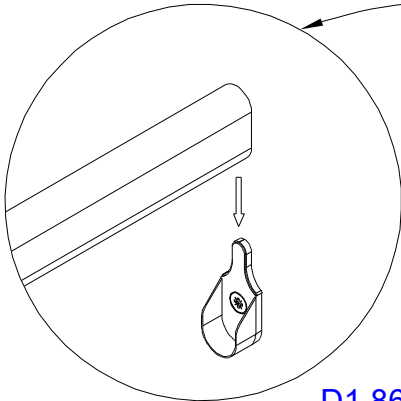
XVI

	
V3 x10	PD2 x10

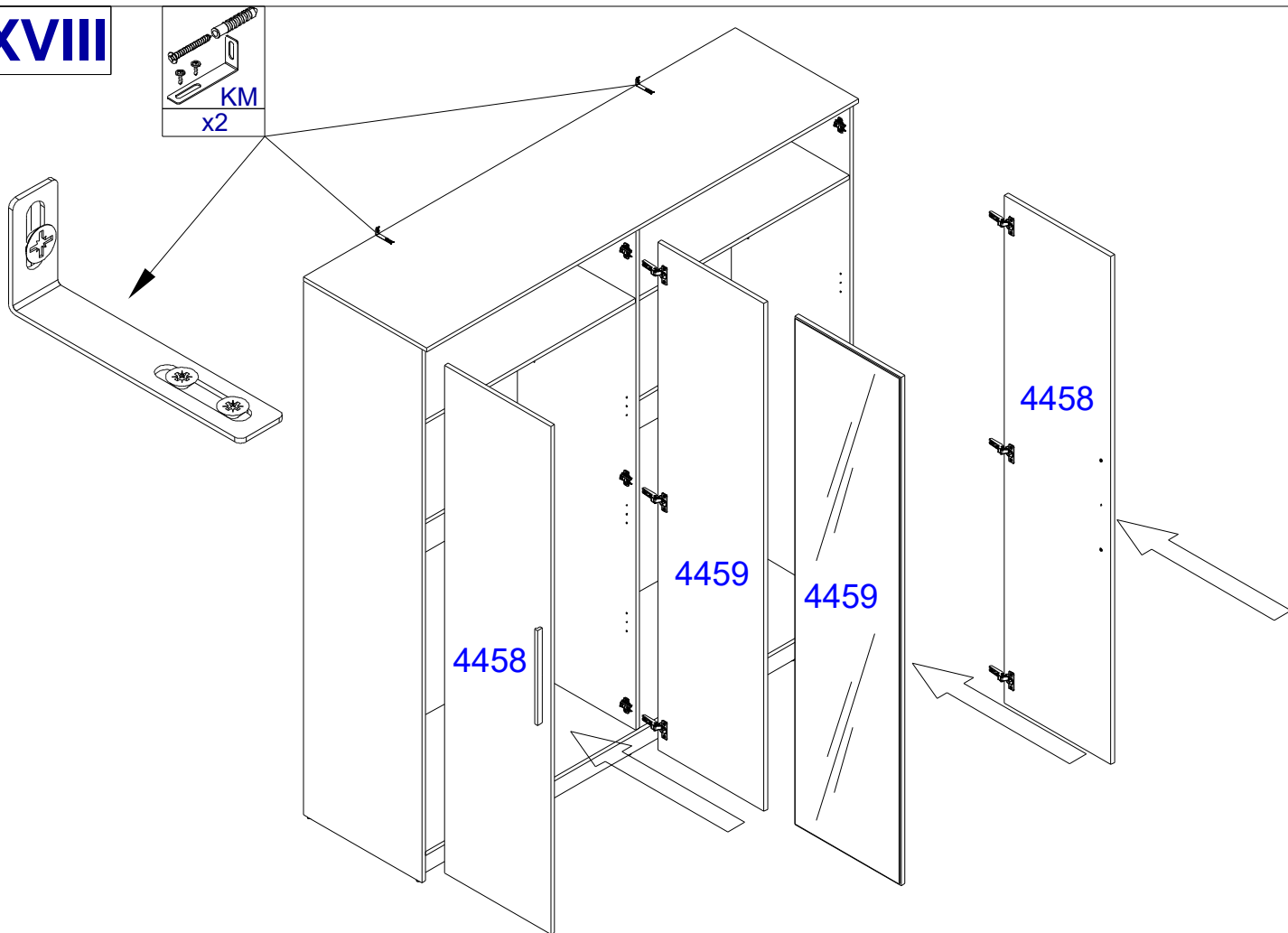


XVII

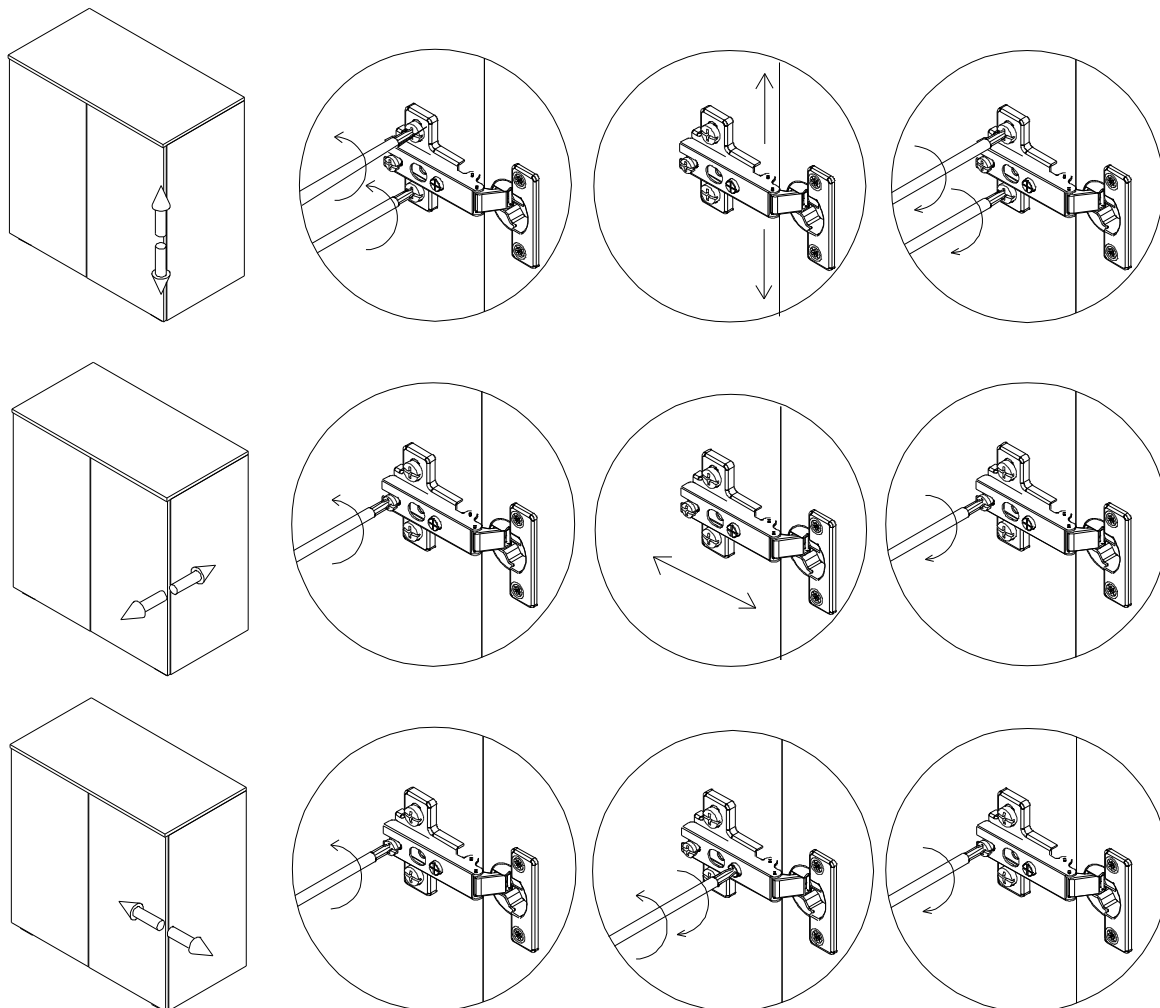
	
X2 x8	X3 x24



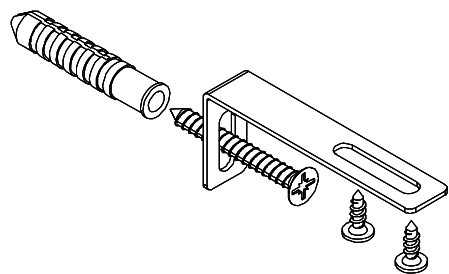
XVIII



XIX



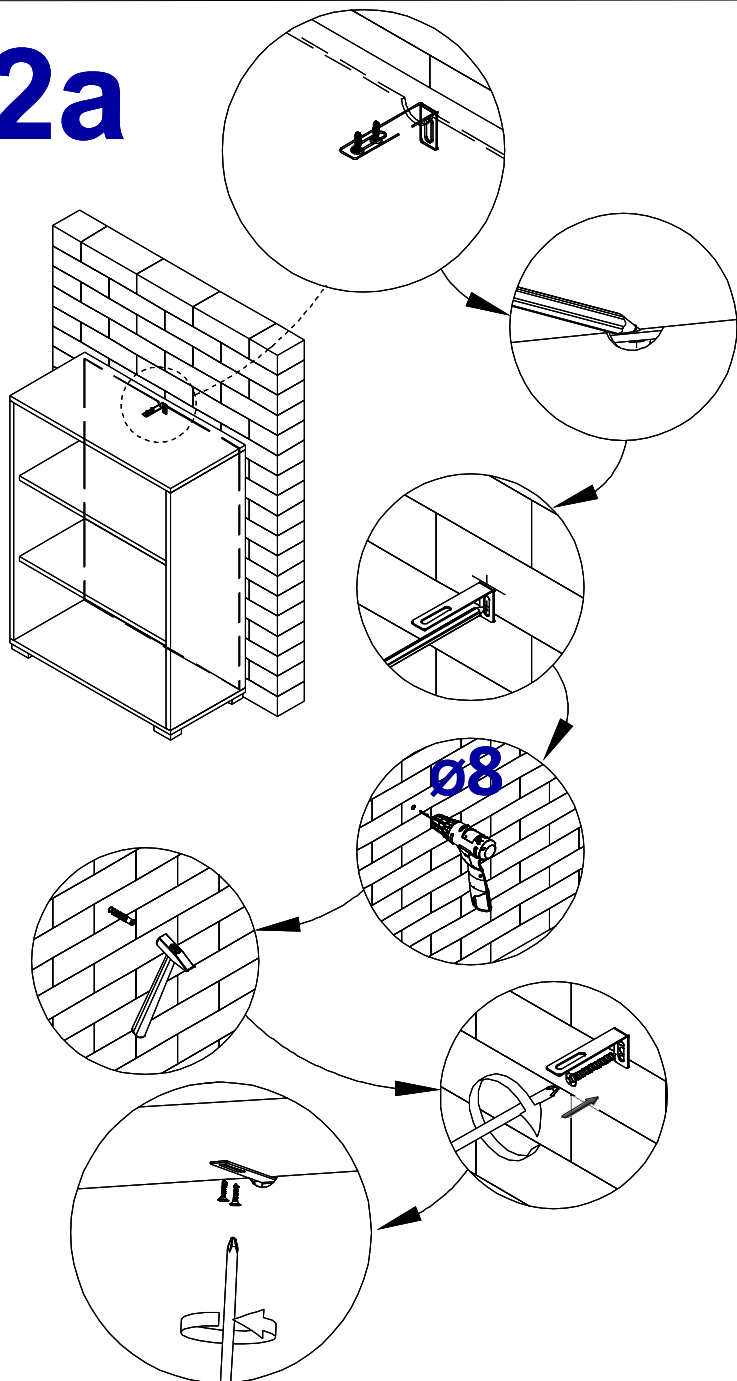
1



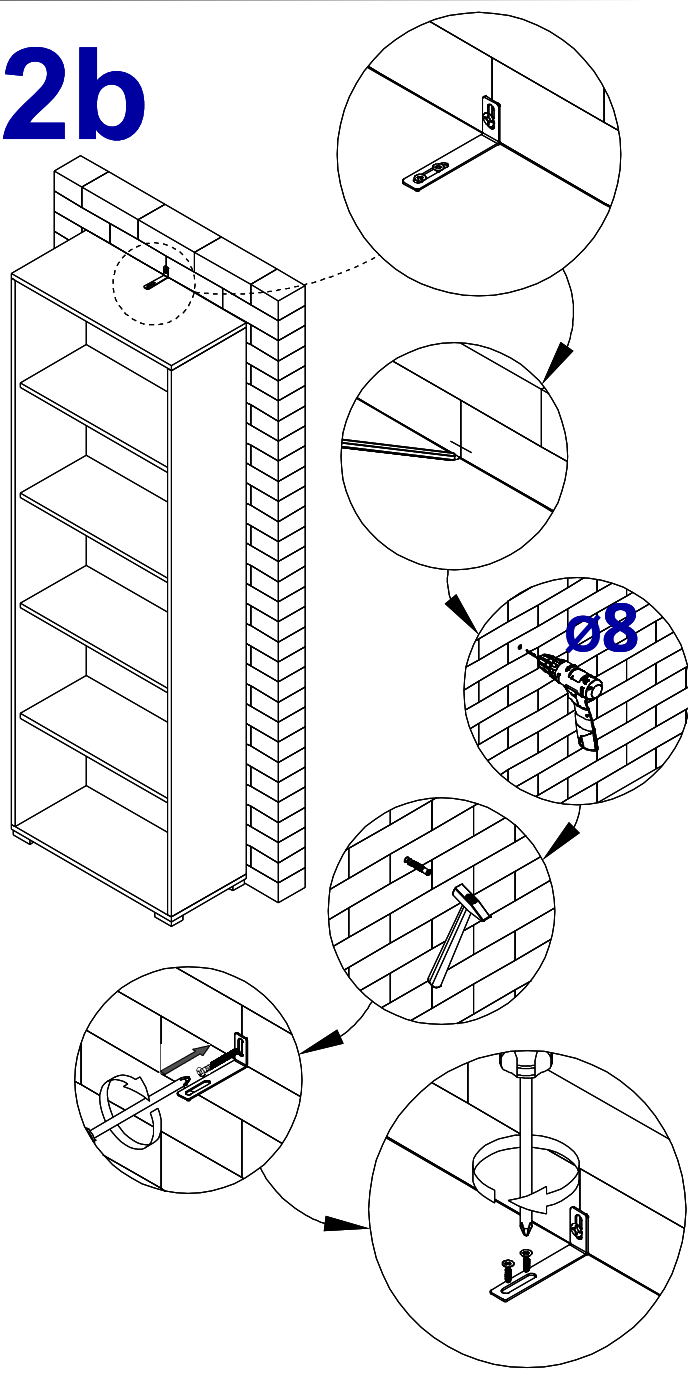
Uwaga . Upozornini. Achtung . Attention . Caution Firyelem . Attenzione . Opgelet . ВНИМАНИЕ . Atentie . Upozornenie . Dikkat . Uppmärksamhet . Uppmärksamhet . Pozor . Pažnja

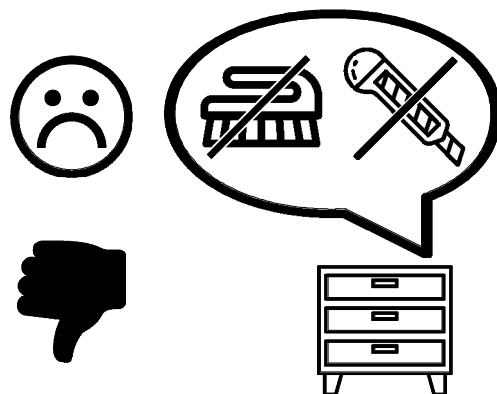
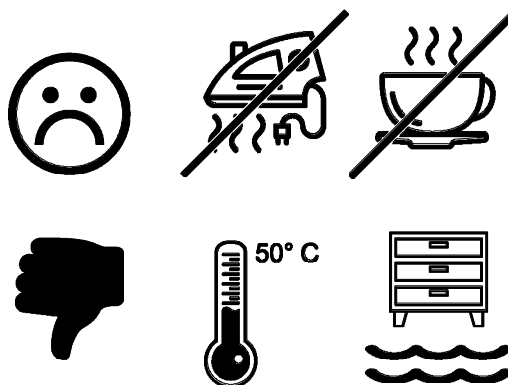
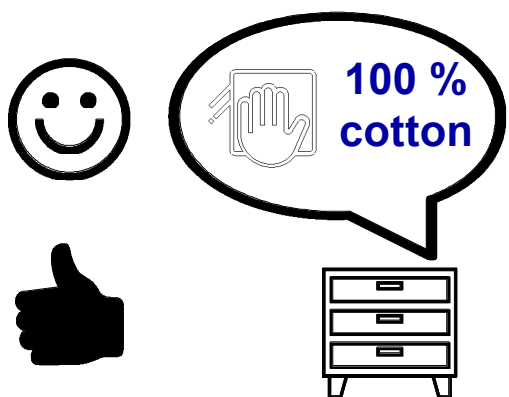
PL	Mocowanie do ściany jest jednocześnie zabezpieczeniem przed przewróceniem - koniecznie zamontować! Do niektórych rodzajów ścian koniecznie zastosować specjalne kołki mocujące.	I	Il fissaggio alla parete serve da protezione anti-ribaltamento - attaccarla assolutamente! Per alcune strutture di parete può essere necessario un tassello speciale!
CZ	Montáž na stěnu slouží jako ochrana proti převrnutí - bezpodmínečně umístěte! U některých typů stěn může být zapotřebí speciální hmoždinka!	NL	Bevestiging aan de muur dient als kantelbescherming - zeker en vast bevestigen! Bij enkele muurtypes is een speciale plug misschien vereist!
D	Wandbefestigung dient als Kippschutz - unbedingt anbringen! Bei einigen Wandtypen kann ein Spezialdübel erforderlich sein!	RU	Крепление к стене также является защитой от опрокидывания – обязательно установите! Для некоторых типов стен необходимо использовать специальные крепежные штифты.
GB	The wall fastening serves to prevent tipping - be absolutely sure to mount it! For certain wall types, a special wall plug may be necessary!	RO	Sistemul de fixare la perete serve și ca protecție la răsturnare - de montat obligatoriu! Pentru unele tipuri de pereți esie posibil să fie necesar un diblu special!
F	La fixation murale sert de protection contre le basculement - à installer impérativement ! Pour certains types de murs il faut des chevilles spéciales !	SK	Upevnenie na stenu slúži ako ochrana proti prevráteniu - bezpodmienečne použite! Pre niektoré druhy stien môže byť potrebná špeciálna hmoždinka!
HU	A termékét a falhoz kelető rögzíténi, kőülőben az felborulhat! Egyes fal típusoknál speciális tiplőt kell használni!	TR	Duvardaki sabitleme, devrilmeye karşı, bir emniyet tedbiridir ve mutlaka monte edilmelidir! Bazı duvar tiplerinde bunun için özel bir dübel gereklidir!
SE	Att fästa den på väggen är också ett skydd mot att välta - se till att installera det! För vissa typer av väggar är det nödvändigt att använda speciella monteringsstift.	SLO	Pritrđitev na steno je tudi zaščita pred prevrnitvijo - obvezno jo namestiti! Za nekatere vrste sten je treba uporabiti posebne pritrđilne zatiče.
HR	Pričvršćivanje na zid je ujedno i zaštita od prevrtanja - obavezno ga postavite! Za neke vrste zidova potrebno je koristiti posebne pri čvršćne igle.		

2a



2b





FR

Donnez ou recyclez
vos meubles.



ou



ou



Association

Magasin

Déchèterie

<https://quefairedemesdechets.fr>



CARTON
+ PLASTIQUE
+ NOTICE



Séparez les éléments
avant de trier