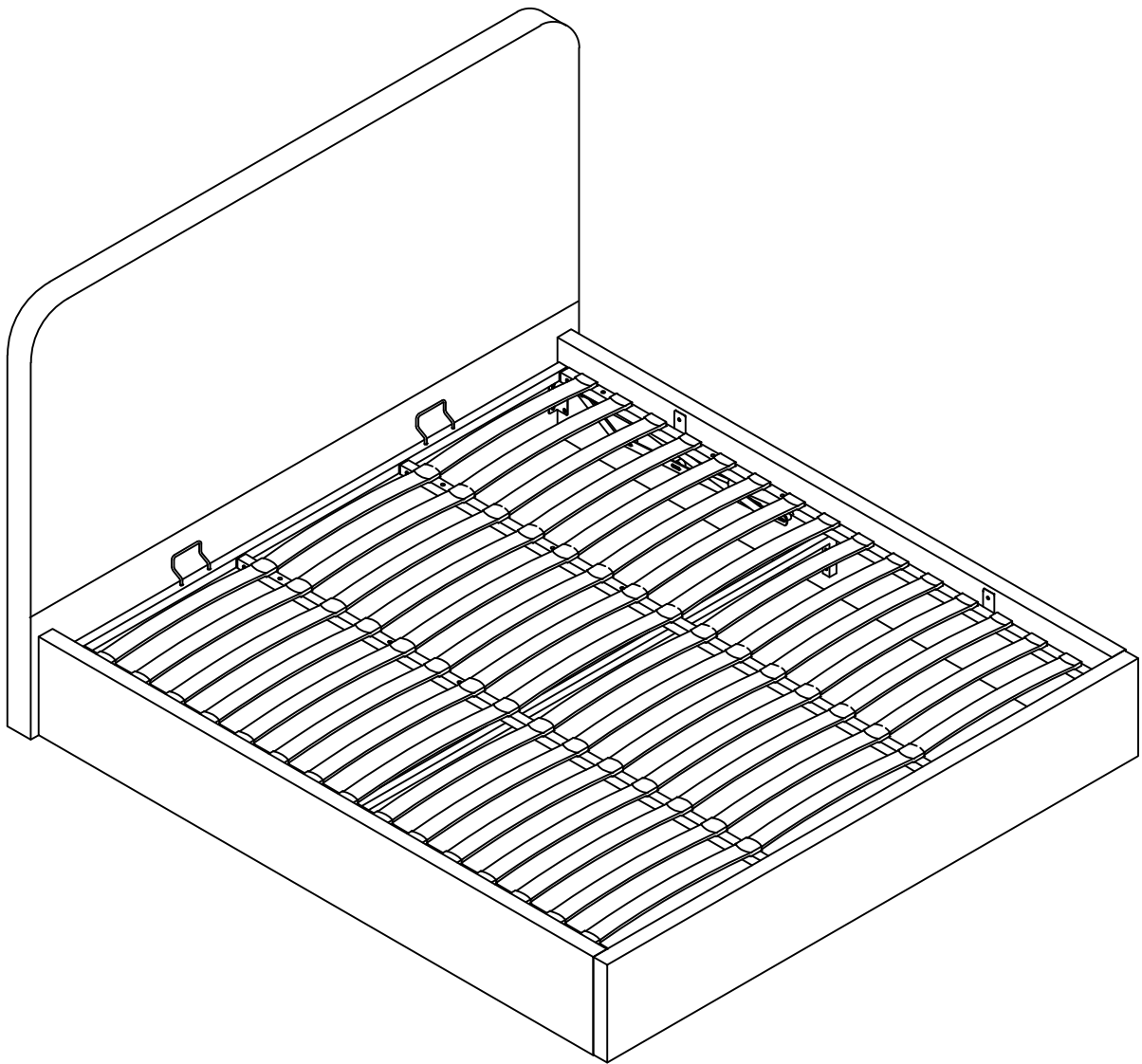
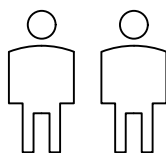


## Ascot Ottoman Bed Frame

Super King



Up to 2 hours  
assembly time



Two person  
assembly

V6.0

# **Important**

## **Assembly Tip**

Before you begin, it's best to identify all of the parts and fittings to build your ottoman bed frame. We advise laying these out on the floor to check you have everything, and to familiarise yourself with all of the parts and fittings before building.

## **Top Tip**

We recommend that you build your new ottoman bed frame in the room you'd like it to be located. This will help prevent any risk of damage to the frame whilst moving it.

## **Safety and Care**

It's important to ensure children and animals are kept away from the assembly area, as there are small components used in this bed frame which could present a choking hazard. All plastic and wrapping materials should also be kept away from children and animals to prevent any risk of suffocation.

## **Help and Support**

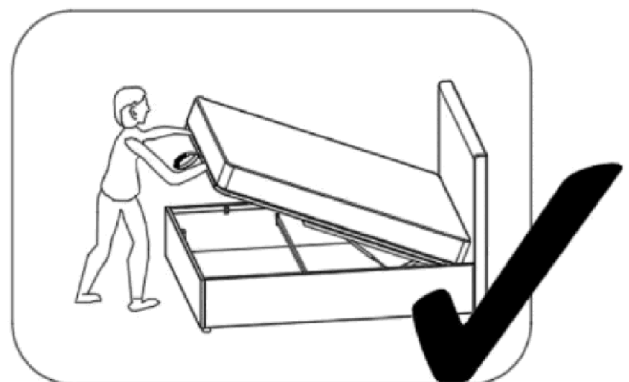
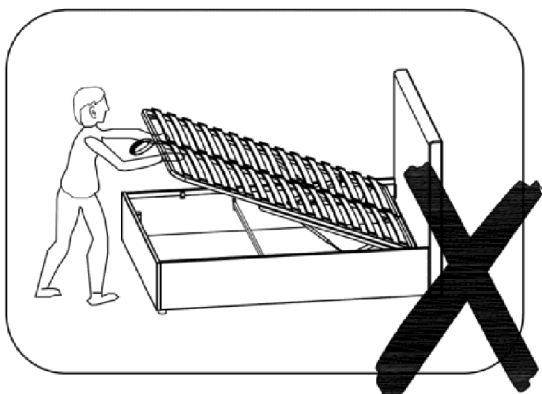
Please contact our customer service team on 0113 519 0311 if you have any questions or issues with your purchase.

## **Recycling**

Please ensure that packaging is disposed of in a safe and environmentally friendly way, and recycle where possible. Please keep your assembly instructions safe to refer back to in the future.

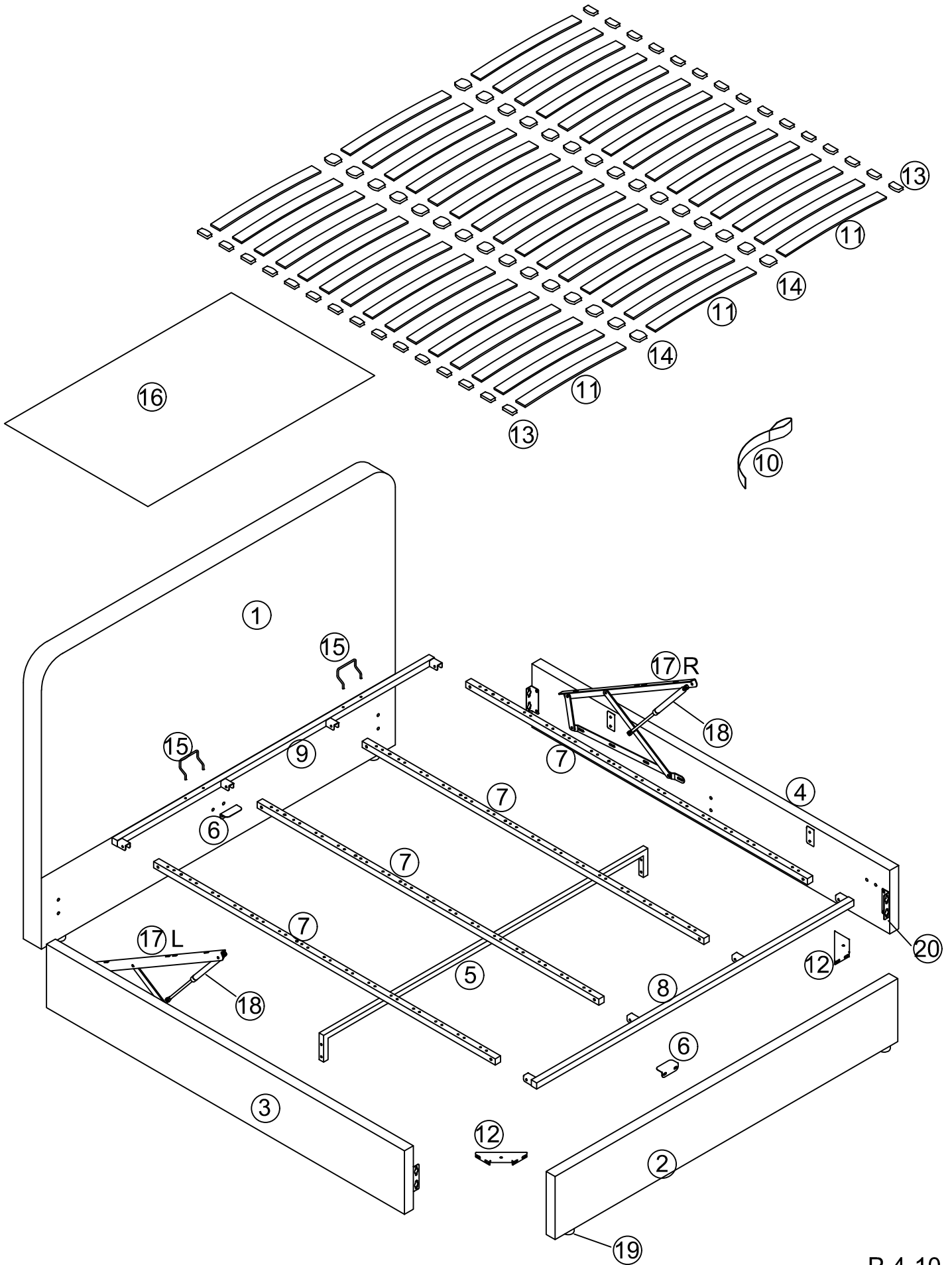
# Operating Your Ottoman Bed Frame Safely

- Caution, this ottoman bed frame uses a pressurised mechanism.
- Please ensure children and animals are kept away from the ottoman bed frame when operating the mechanism.
- Use caution when operating and always use two hands at arm's length.
- You must always ensure the mattress is on the ottoman bed frame before lifting the mechanism. Failure to do so may result in injury or damage to the mechanism.
- If removing the mattress, make sure the ottoman bed frame is secured as it could flip open.
- Only use the storage compartment when the ottoman bed frame is fully in the upright position.
- Do not sit or lie on the ottoman bed frame whilst the lifting mechanism is in use.
- Beware of entrapment. Keep both hands clear of the mechanism when operating.
- When lifting the ottoman bed frame, remove all bedding except the fitted sheet.
- Always use the strap to lift or lower the ottoman metal frame. Close the ottoman metal frame by pushing down firmly with both hands towards the centre of the bed frame with pressure.
- No children or animals should be left unattended when the ottoman bed frame is in the upright position.
- When fully assembled, raise and lower the ottoman metal frame 4/5 times to ensure the gas pistons are fully lubricated.
- Ensure to re-tighten all nuts and bolts within the ottoman bed frame after the first two weeks of use.



# Parts

Before you begin building your ottoman bed frame, Please take a moment to read through the instructions and make sure that you have all the relevant parts listed on the parts check list.



## Parts Check List

NO.	Parts List	Qty	Box No
1	Headboard	1pc	Box 1
2	Footboard	1pc	Box 2
3	Side Rail with Lift Mechanism - LH	1pc	Box 2
4	Side Rail with Lift Mechanism - RH	1pc	Box 2
5	Central Support Rail	1pc	Box 2
6	Angle Iron	2pcs	Box 1
7	Side and Centre Ottoman Metal Frame	4pcs	Box 2
8	Front Ottoman Metal Frame	1pc	Box 2






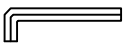

NO.	Parts List	Qty	Box No
9	Rear Ottoman Metal Frame	1pc	Box 2
10	Strap	1pc	Box 2
11	Slat	45pcs	Box 1
12	Angle Corner Bracket	2pcs	Box 1
13	Side Slat Cap	30pcs +1 extra	Box 1
14	Centre Slat Cap	30pcs +1 extra	Box 1
15	Mattress Positioning Handle	2pcs	Box 1
16	Fabric Base	1pc	Box 2

## Pre-assembled Parts Check List








17L	Lift Mechanism - LH	1pc	Box 2
17R	Lift Mechanism - RH	1pc	Box 2
18	Gas Strut	2pcs	Box 2

19	Leg	2pcs	Box 1
19	Leg	2pcs	Box 2
20	Angle Iron Bracket	4pcs	Box 2

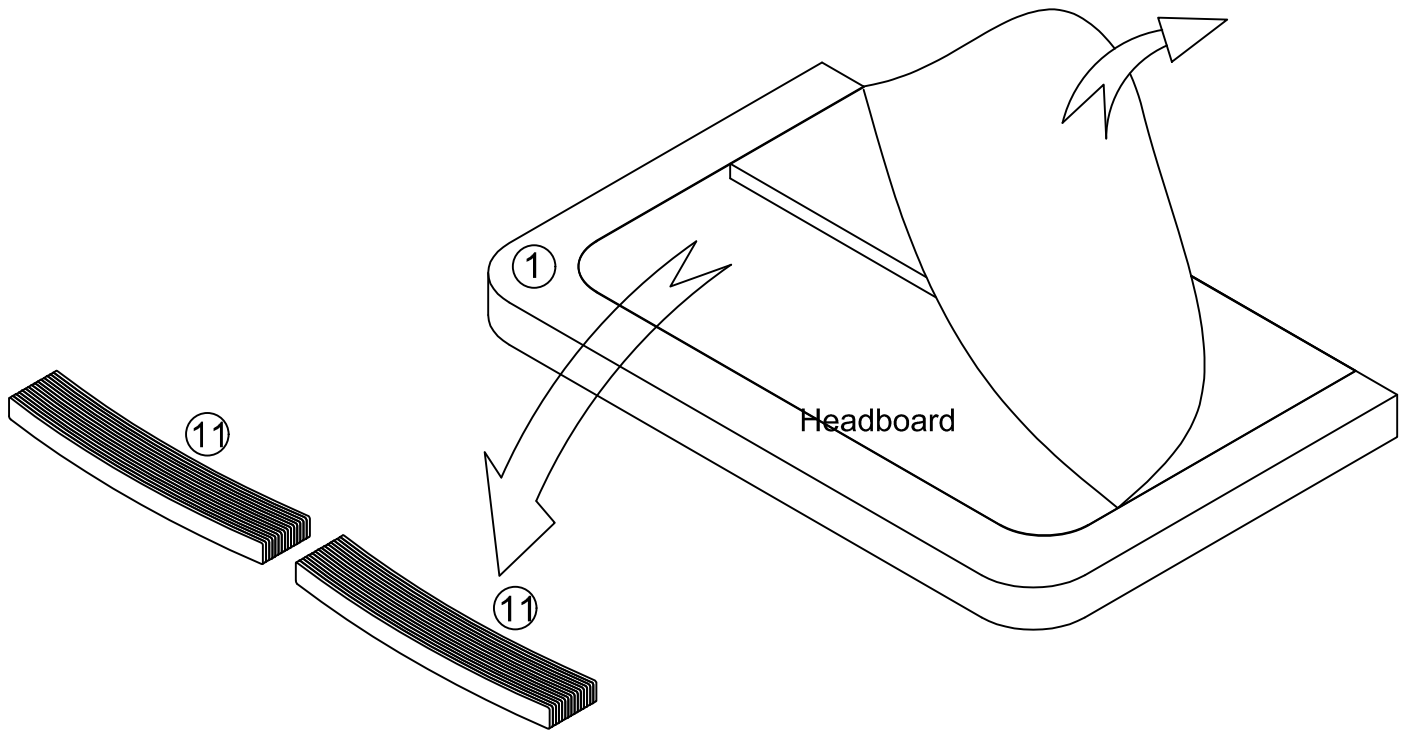
## Fittings (in Box 1)

 (A) M8 45mm Bolt 18pcs+1 extra	 (B) M8 25mm Bolt 8pcs+1 extra	 (C) M8 15mm Bolt 12pcs+1 extra	 (E) Ø8 Flat Washer 14pcs +1 extra
 (F) M8 Nut 16pcs+1 extra	 (G) M5 Allen key 1pc	 (H) Spanner 1pc	


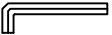
## Pre - assembled Fittings

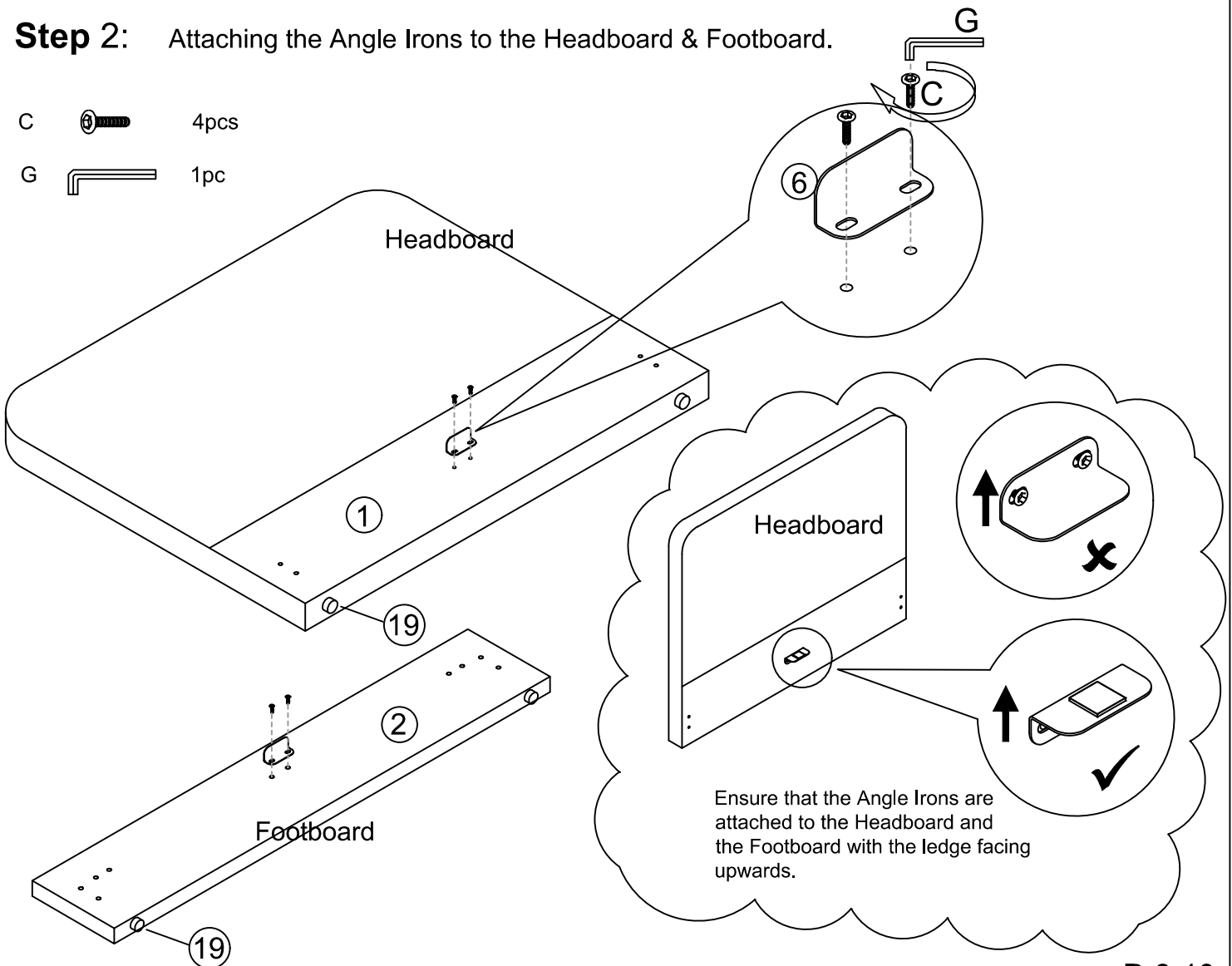
 (A) M8 45mm Bolt 8pcs	 (F) M8 Nut 2pcs	 (J) M8 30mm Bolt 8pcs	 (K) M4x35mm Screw 4pcs
 (I) M4x20mm Screw 8pcs	 (D) Ø21x15 Plastic Gasket 8pcs	 (L) Plastic Block 4pcs	

**Step 1:** Open the zipper behind the headboard and take out the slat (11) & hardware accessories.




**Step 2:** Attaching the Angle Irons to the Headboard & Footboard.

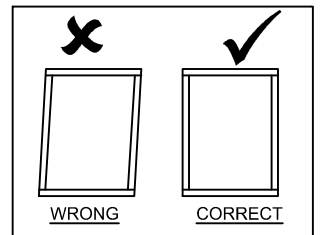
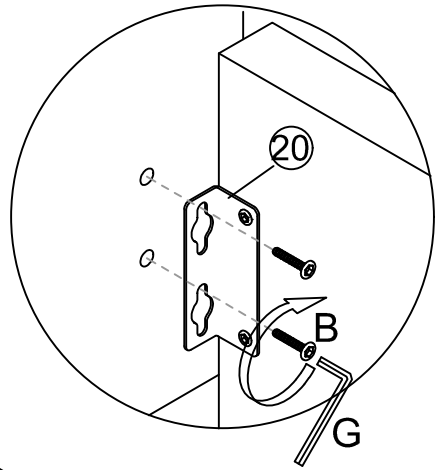
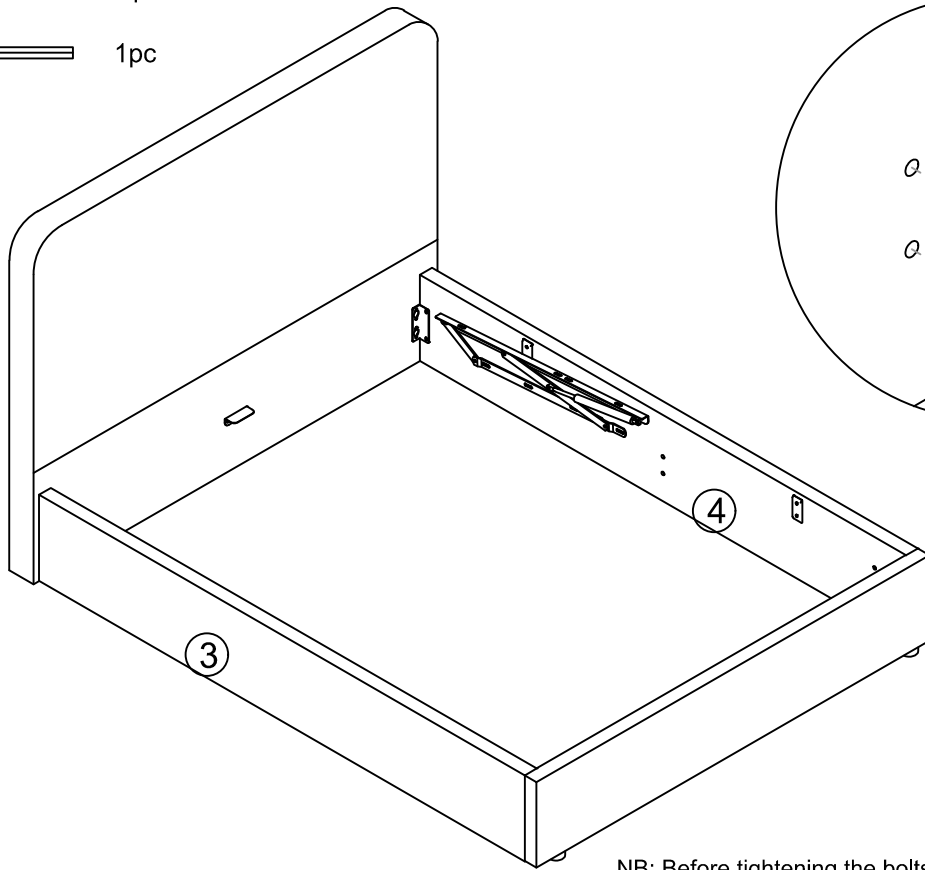
- C  4pcs
- G  1pc



### Step 3: Attaching the Headboard &Footboard to the Side Rails.

B  8pcs

G  1pc

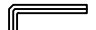


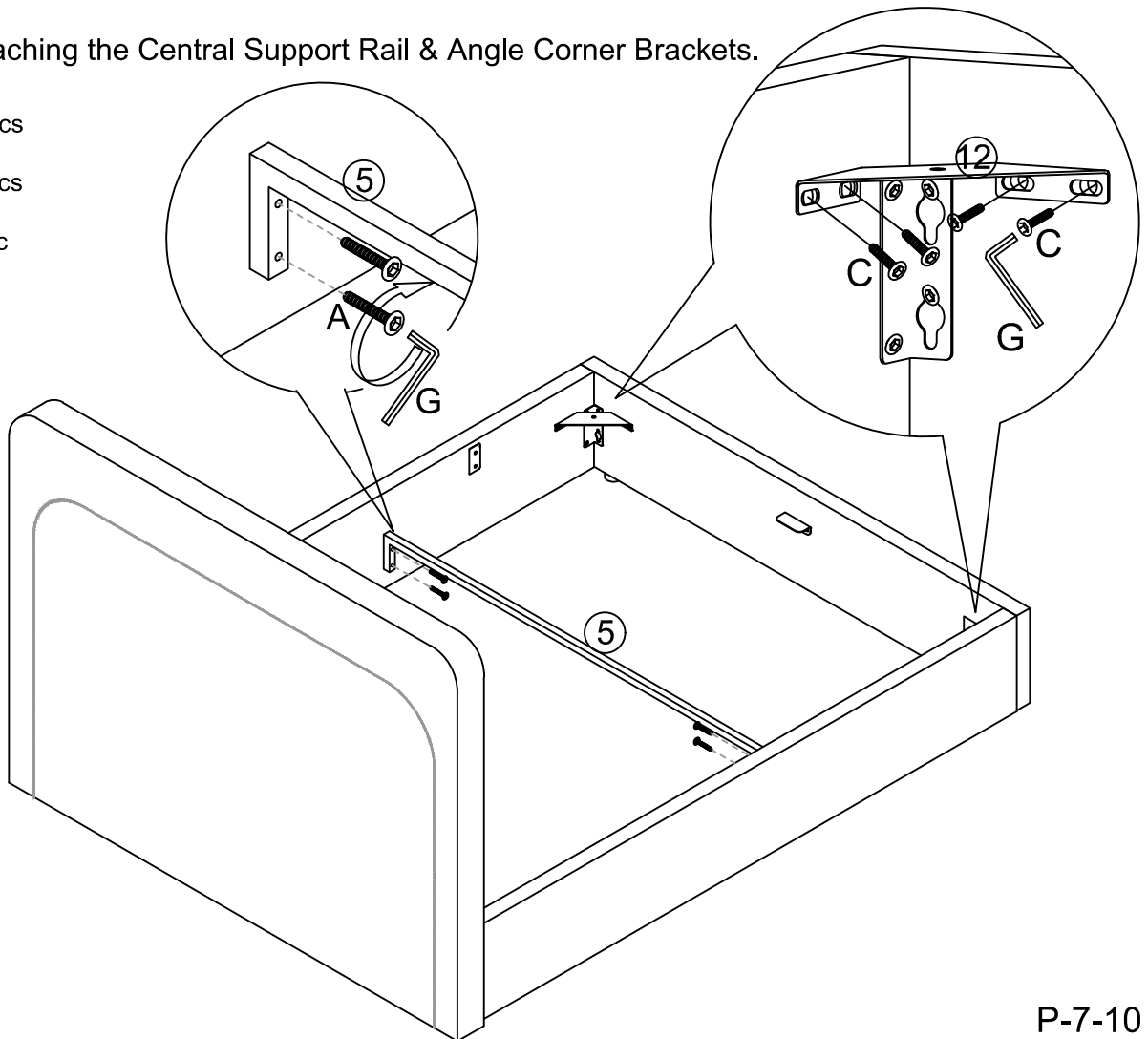
NB: Before tightening the bolts, please ensure the bed frame is square

### Step 4: Attaching the Central Support Rail & Angle Corner Brackets.

A  4pcs

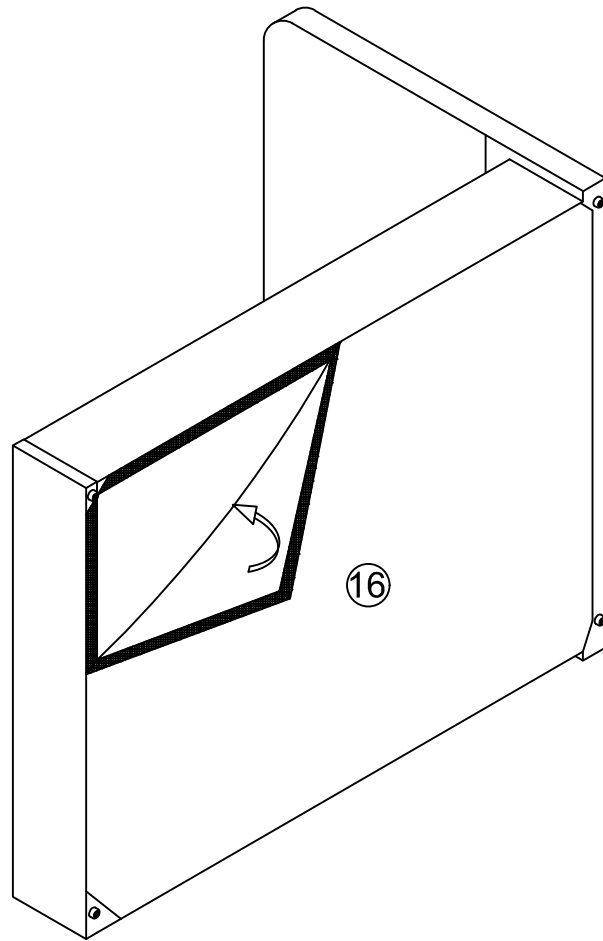
C  8pcs

G  1pc



## Step 5: Fabric Base Attachment.

With an assistant, carefully lift both the Headboard & Footboard at the same time, do not let the bed frame twist. Lift and turn the bed frame on its side holding the bed upright for safety. Attach the Fabric Base (16) to bottom of the Side Rails, Headboard & Footboard with the velcro tape. Ensure the fabric is fixed evenly all round.

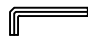


## Step 6: Constructing the Ottoman Metal Frame.

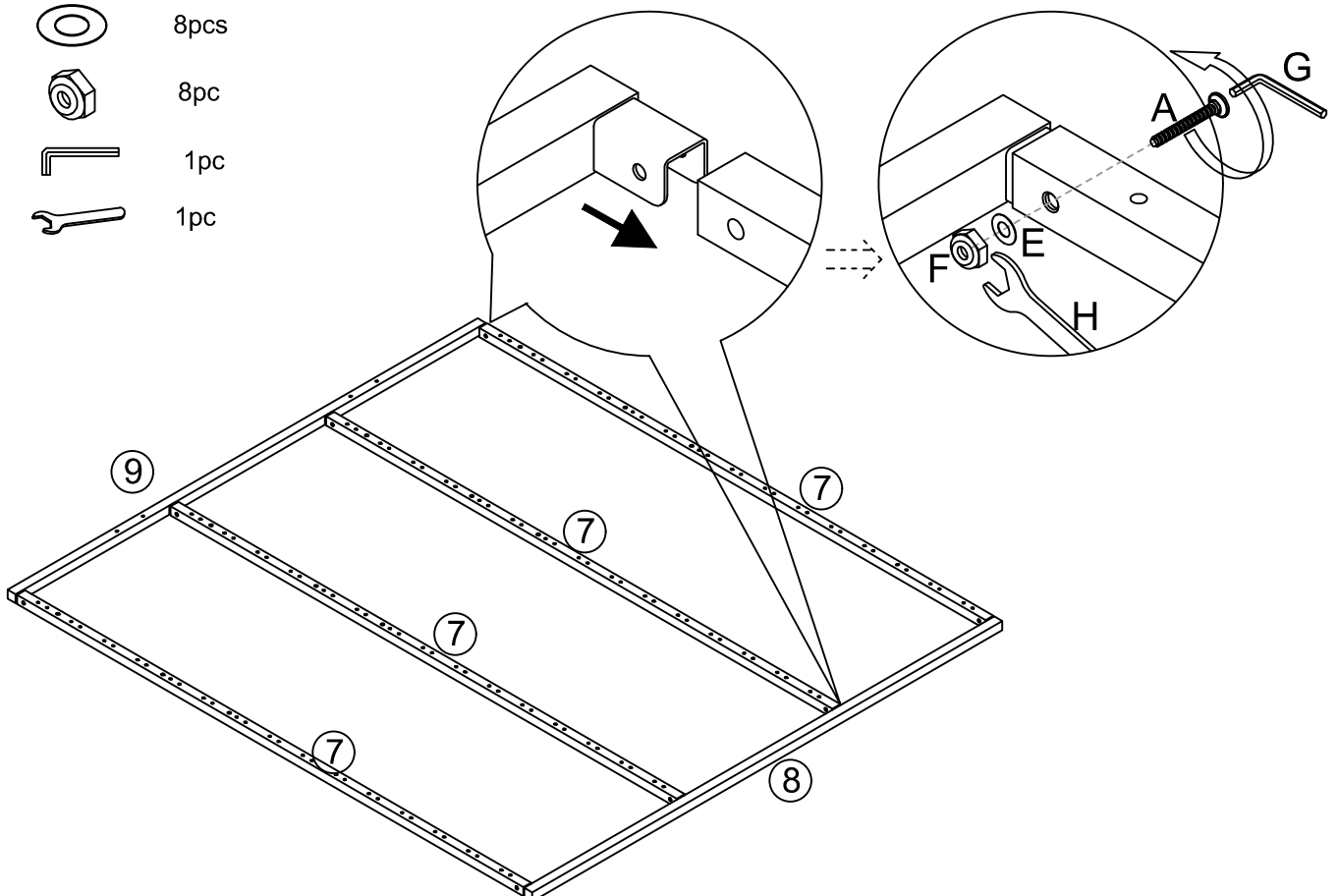
A  8pcs

E  8pcs

F  8pc

G  1pc

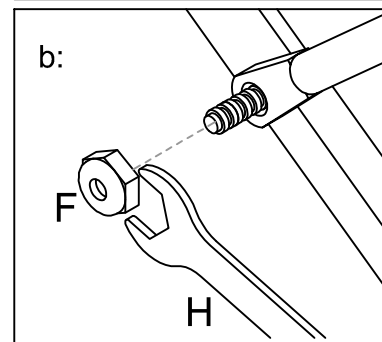
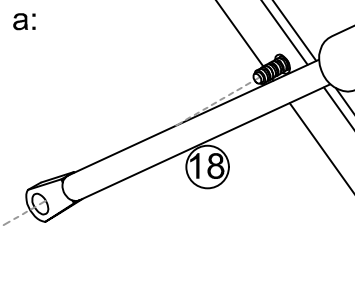
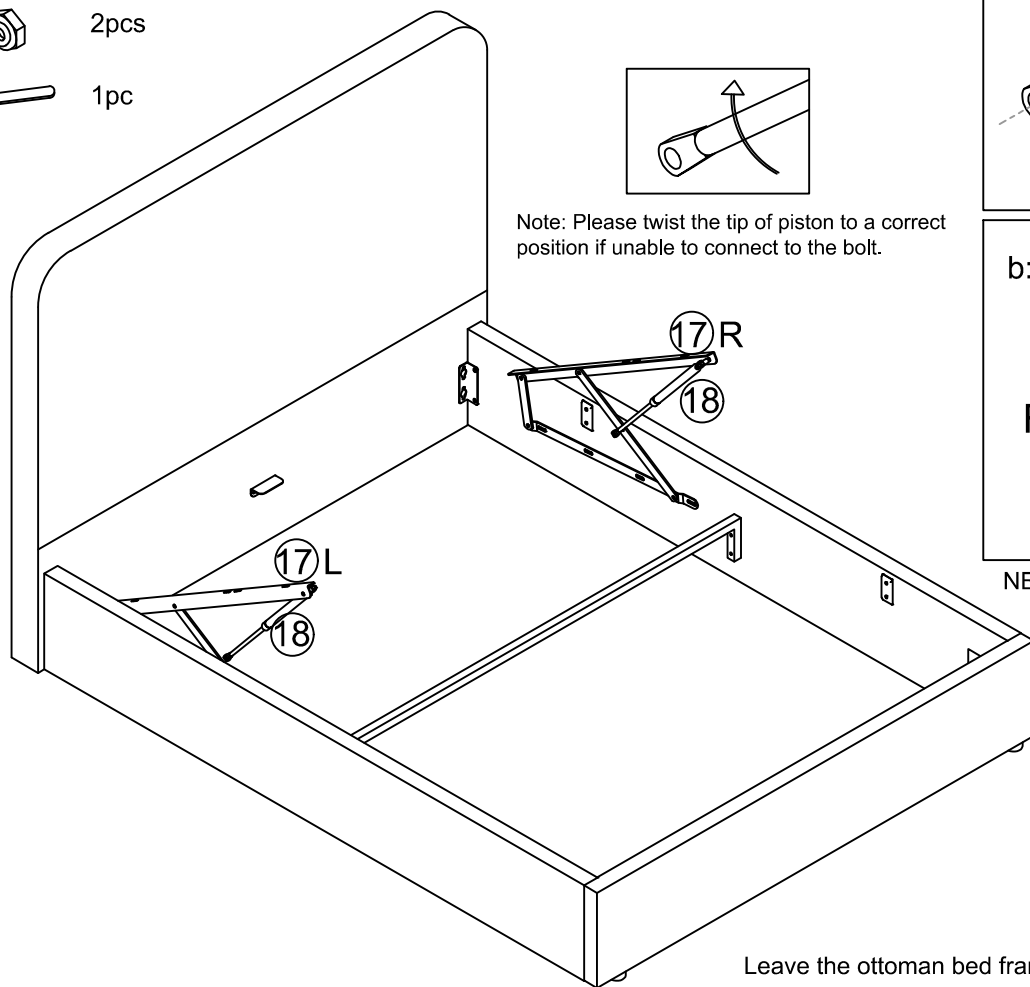
H  1pc



## Step 7: Attaching the Gas Struts to the Lifting Mechanism.

F  2pcs

H  1pc



NB: Do not over tighten the Nuts

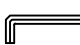
Leave the ottoman bed frame in an elevated position.

## Step 8: Screw the Ottoman Metal Frame to each Lift Mechanism.

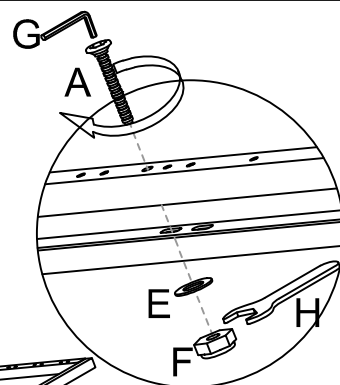
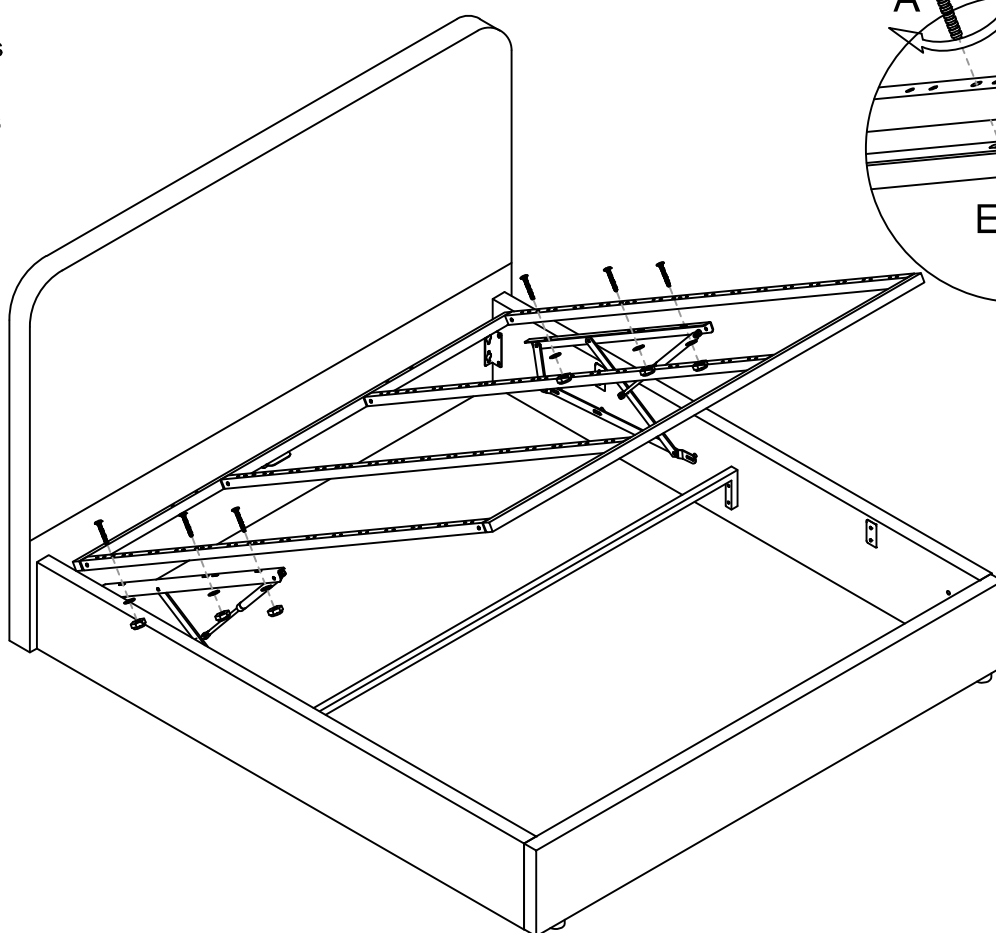
A  6pcs

E  6pcs

F  6pc

G  1pc

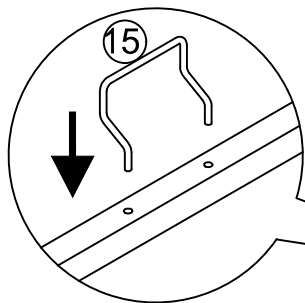
H  1pc



## Step 9: Attaching the Slat Caps to the Ottoman Bed Frame.

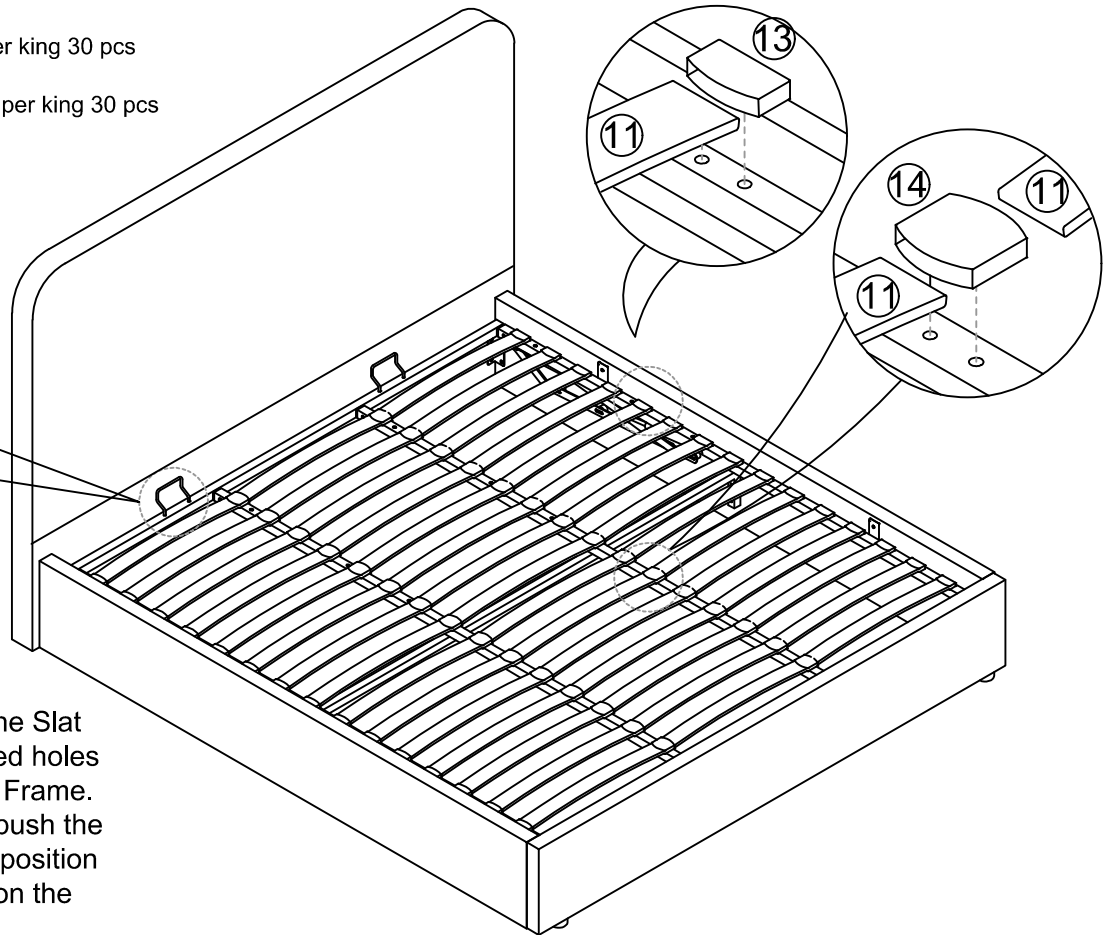
⑬  Side Slat Cap Super king 30 pcs

⑭  Centre Slat Cap Super king 30 pcs



Insert both Mattress Positioning Handles (15)

Push down firmly on the Slat Caps into the pre-drilled holes on the Ottoman Metal Frame. It is recommended to push the Centre Slat Caps into position before pushing down on the Side Slat Caps.



## Step 10: Attach the Strap (10) to the Front Ottoman Metal Frame, at the Footboard end.

