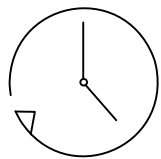
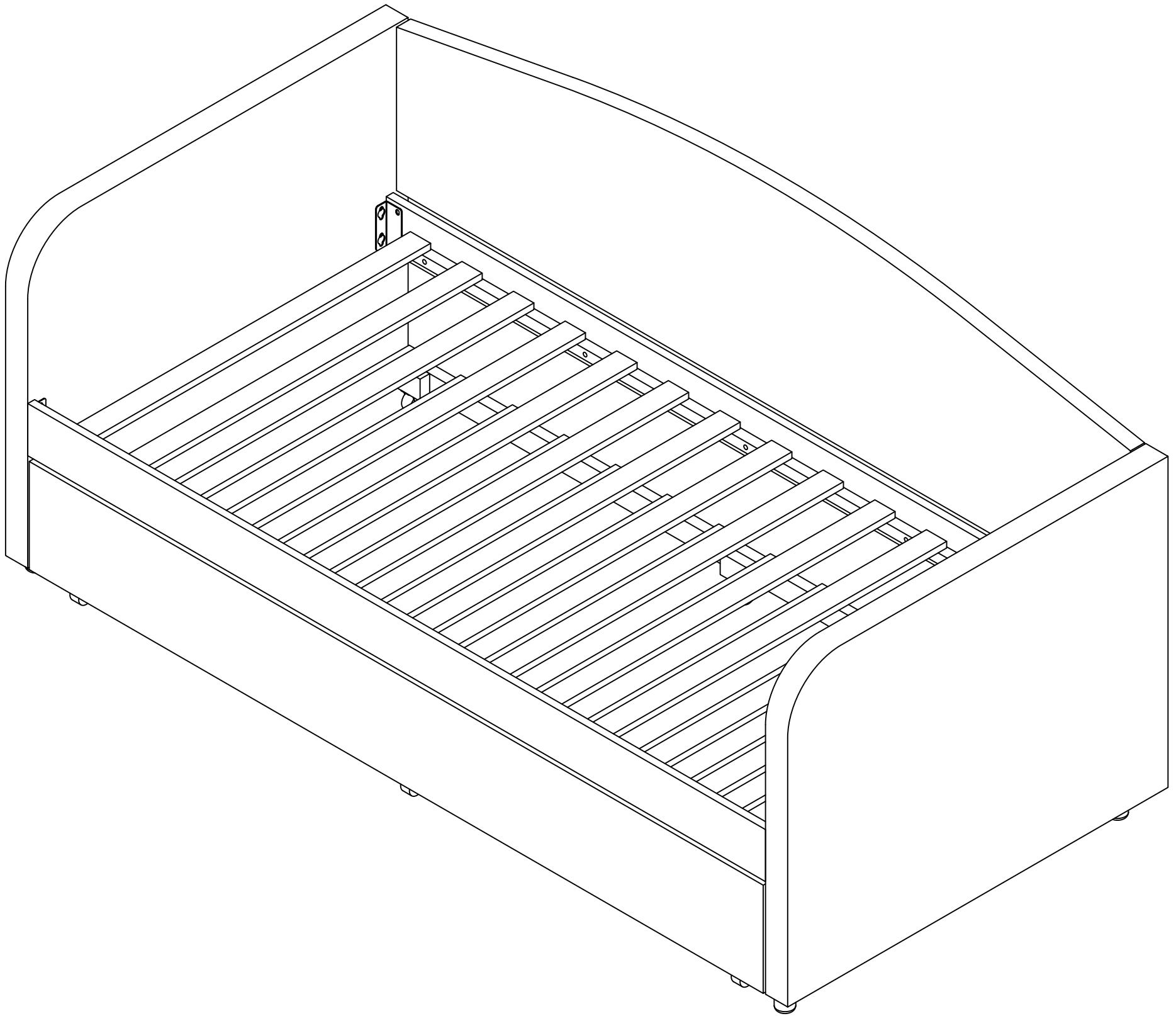


DUSK.COM

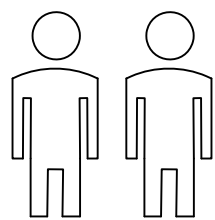
LIVING | BEDROOM | DINING

Dover Fabric Day Bed Frame

Single size



Up to 2 hour approx
assembly time



Two person
assembly

Important

Assembly Tip

Before you begin, it's best to identify all of the parts and fittings to build your bed frame. We advise laying these out on the floor to check you have everything, and to familiarise yourself with all of the parts and fittings before building.

Top Tip

We recommend that you build your new bed frame in the room you'd like it to be located. This will help prevent any risk of damage to the frame whilst moving it.

Safety and Care

It's important to ensure children and animals are kept away from the assembly area, as there are small components used in this bed frame which could present a choking hazard. All plastic and wrapping materials should also be kept away from children and animals to prevent any risk of suffocation.

Help and Support

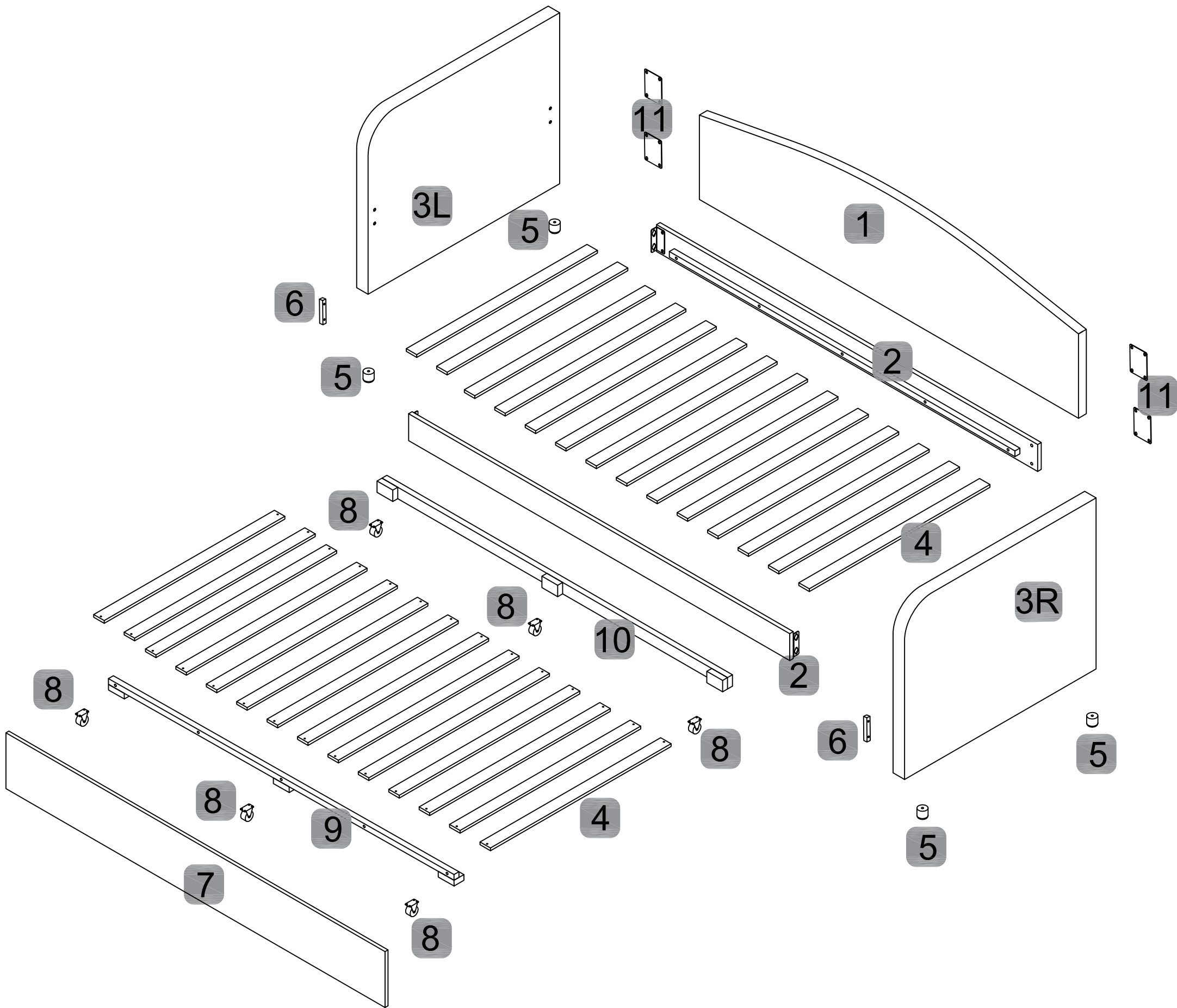
Please contact our customer service team on 0113 519 0311 if you have any questions or issues with your purchase.

Recycling

Please ensure that packaging is disposed of in a safe and environmentally friendly way, and recycle where possible. Please keep your assembly instructions safe to refer back to in the future.

Parts

Before you begin building your bed frame, please take a moment to read through the instructions and make sure that you have all the relevant parts listed on the parts check list.

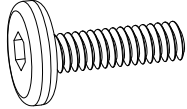

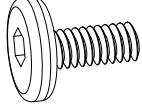


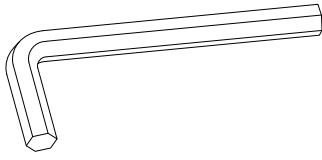


PART CHECK LIST

Part List			
NO.	ITEM	QTY	Box No
1	Backrest	1	Box 1
2	Side Rails	2	Box 1
3	Armrest - 3L (LH) & 3R (RH)	1Pr	Box 2
4	Slats	28	Box 1
5	Leg	4	Box 1
6	Stop Block	2	Box 1
7	Lower bed face plate	1	Box 1
8	wheel	6	Box 1
9	Front positioning strip	1	Box 1
10	Rear locating strip	1	Box 1
11	Connecting iron sheet	4	Box 1

Fittings

Please check you have all the fittings listed below with your product.

<p>A</p>  <p>Bolts(M8x25mm) X8pcs-1extra</p>	<p>B</p>  <p>Bolts(M6x35mm) X9pcs-1extra</p>	<p>C</p>  <p>Bolts(M8x16mm) X16pcs-1extra</p>	<p>D</p>  <p>Screw(3.0x20mm) X24pcs-1extra</p>
<p>E</p>  <p>Screw(4.0x35mm) X32pcs-1extra</p>	<p>F</p>  <p>Allen Key X1pc</p>		

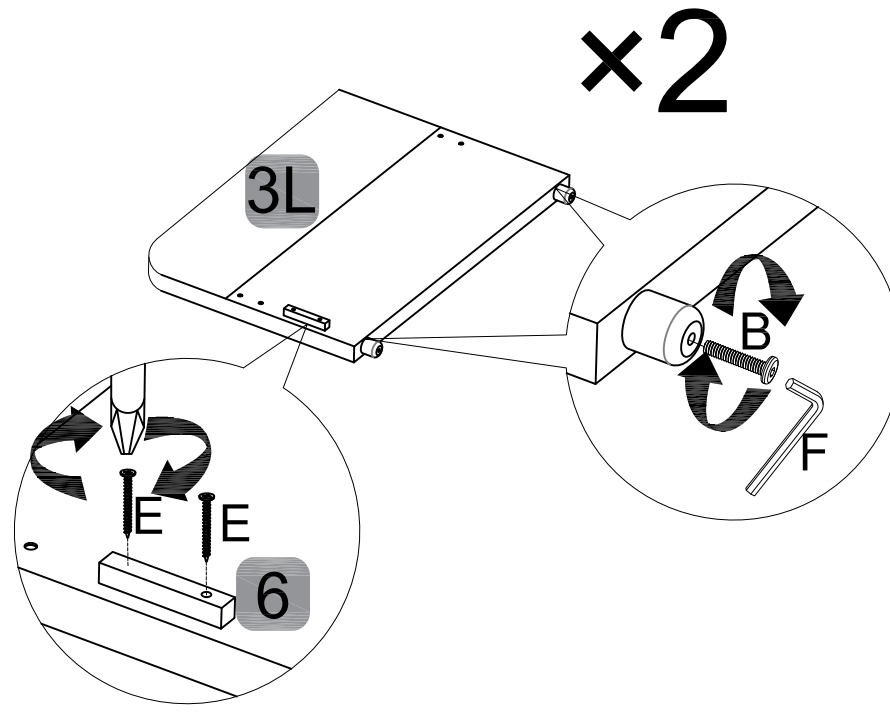
NB: there are additional spare Fittings included within the Fitting pack

Step 1:

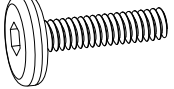
B  x4pcs


E  x4pcs

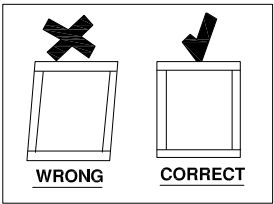
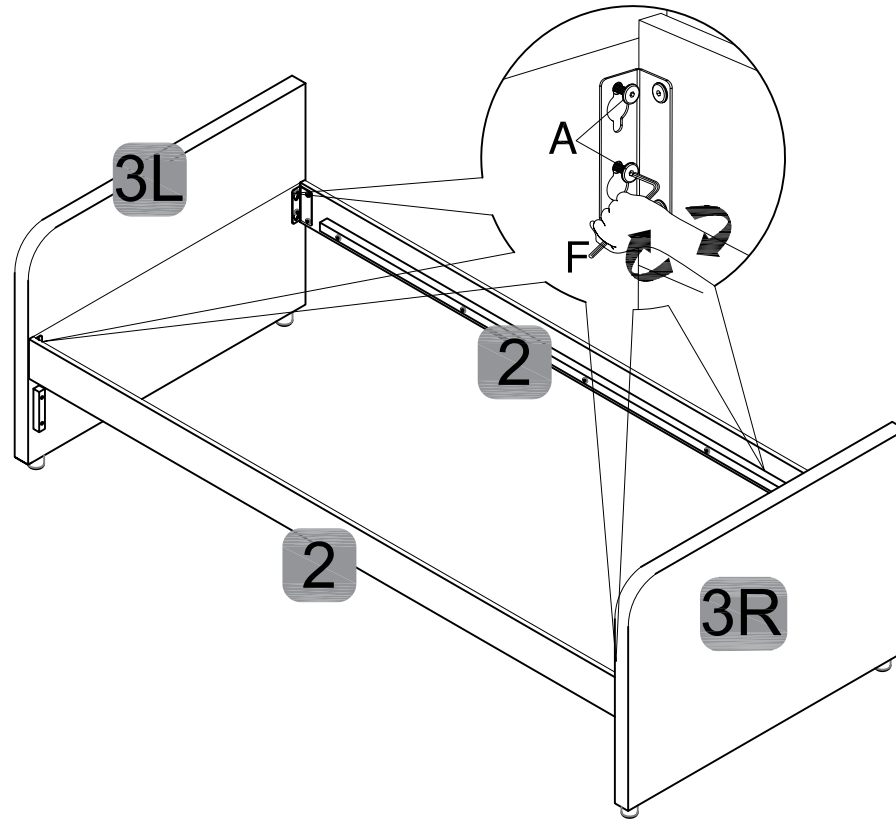
F  x1pc



Step 2:

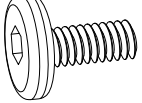
A  8PCS

F  1PC

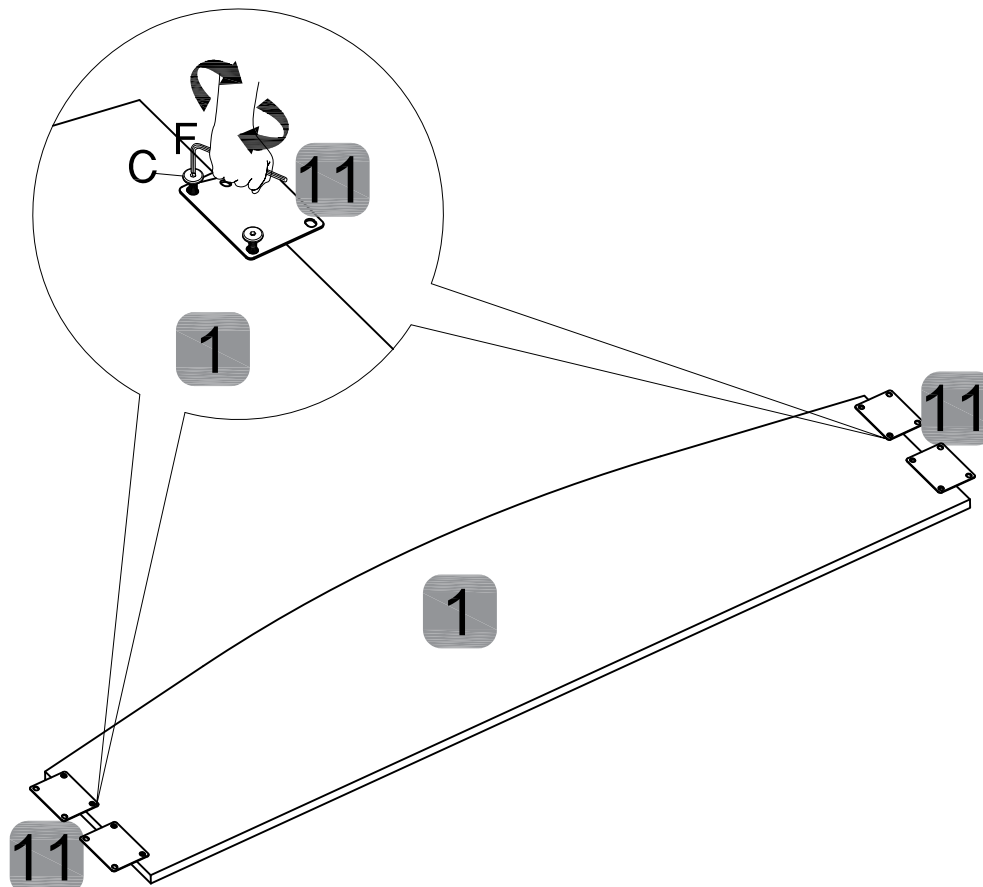


NB: Before tightening the bolts, please ensure the bed frame is square

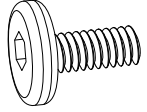
Step 3:

C  x8pcs

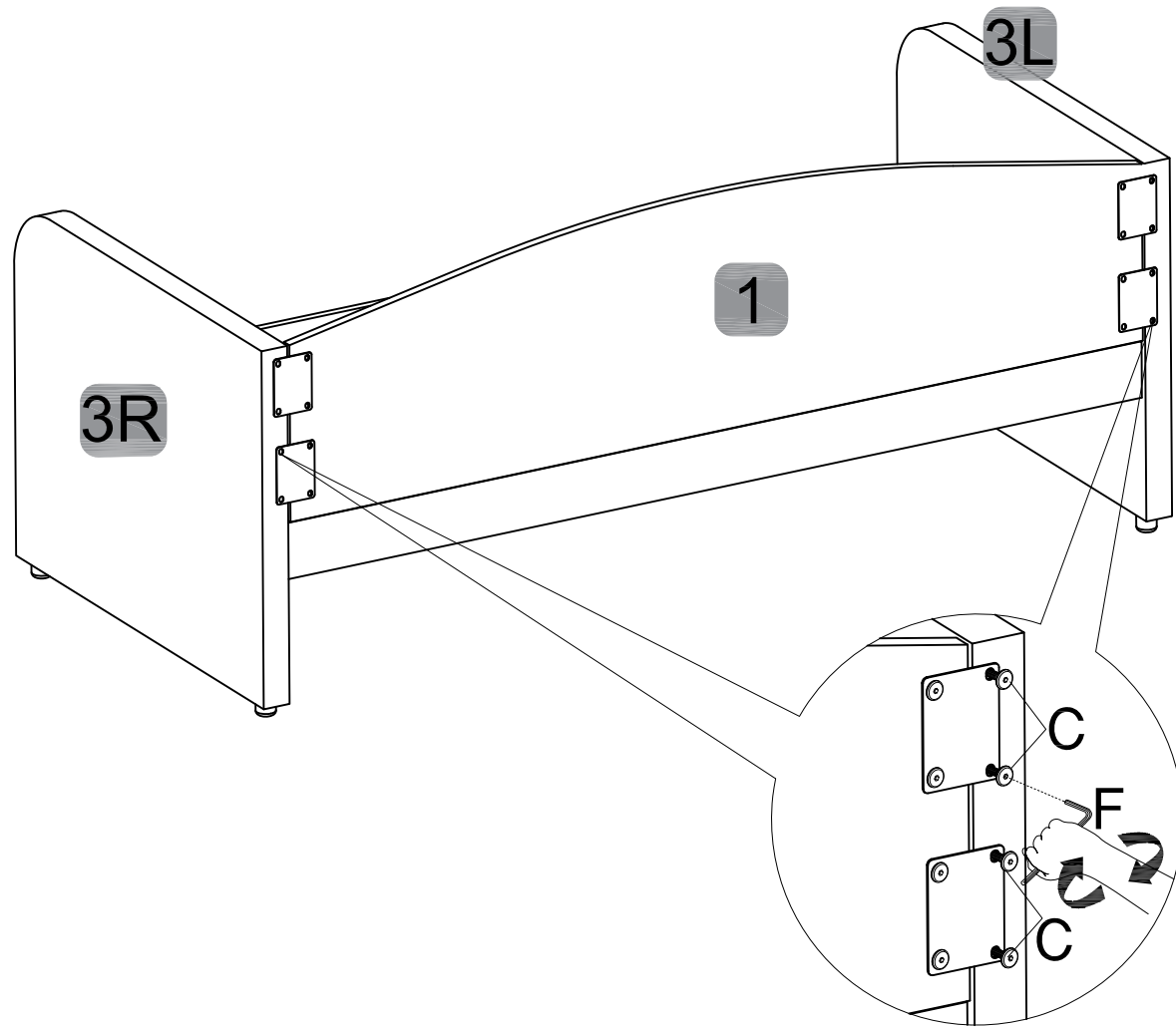
F  x1pc



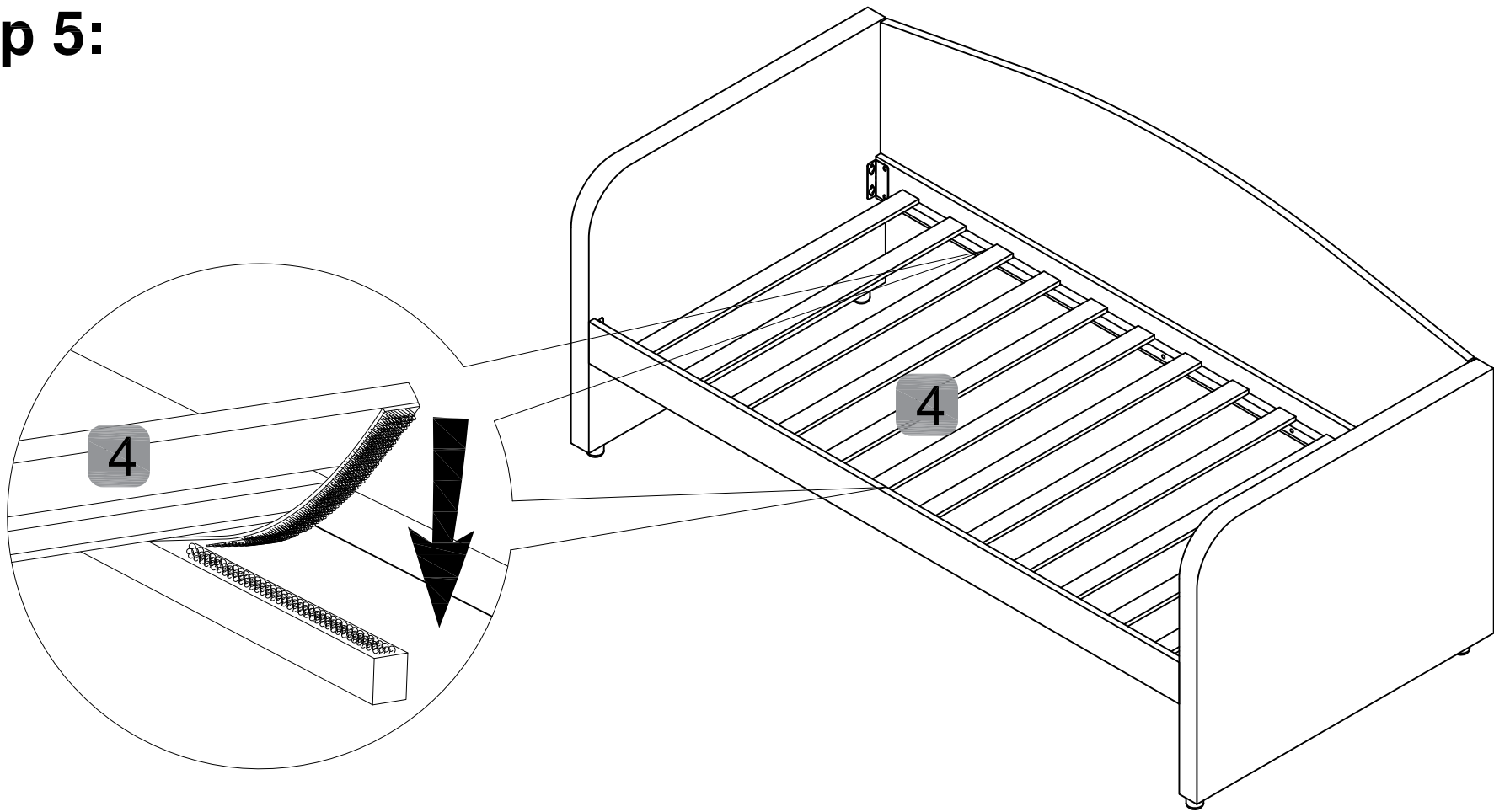
Step 4:

C  ×8pcs

F  ×1pc



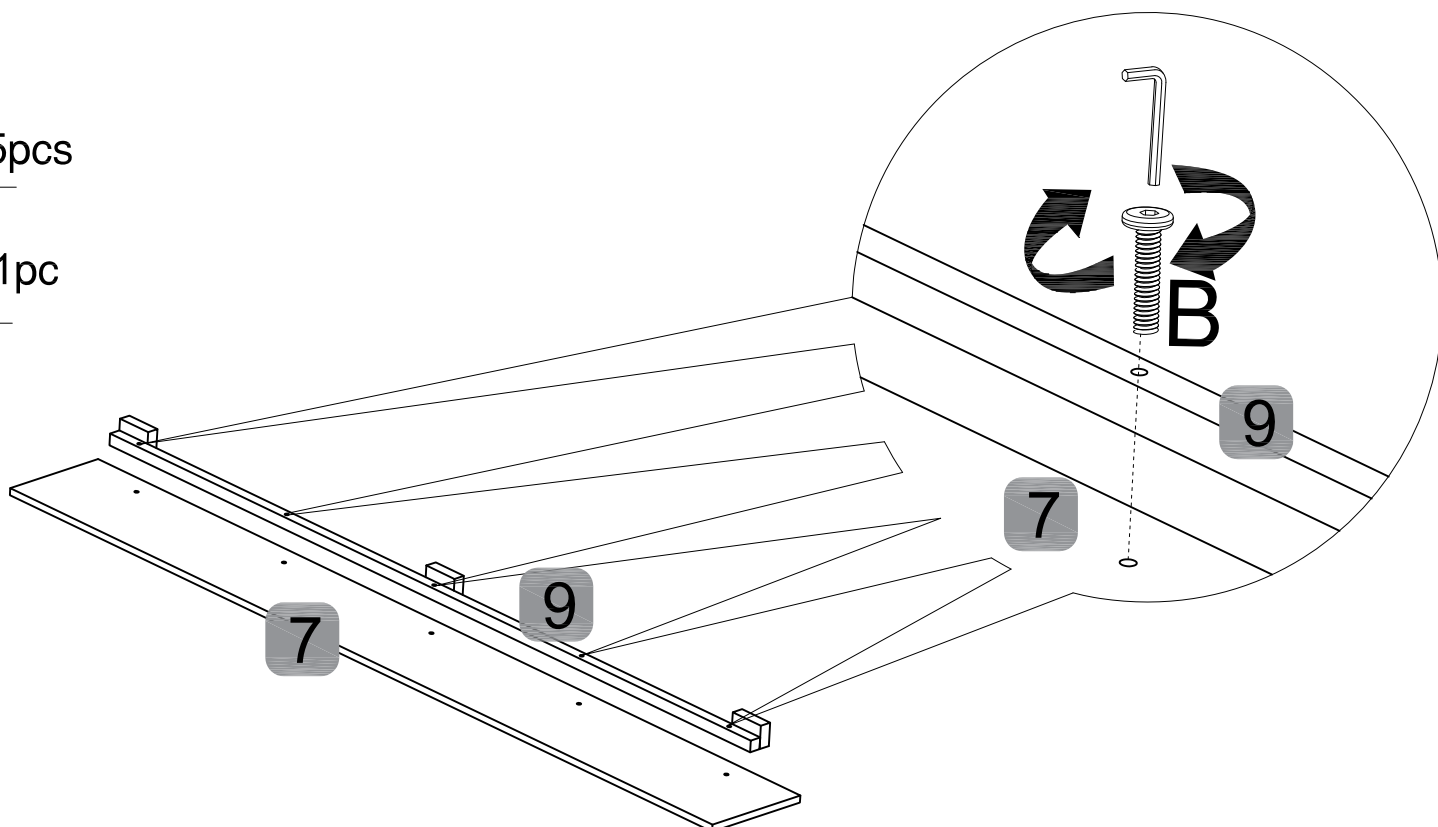
Step 5:



Step 6:

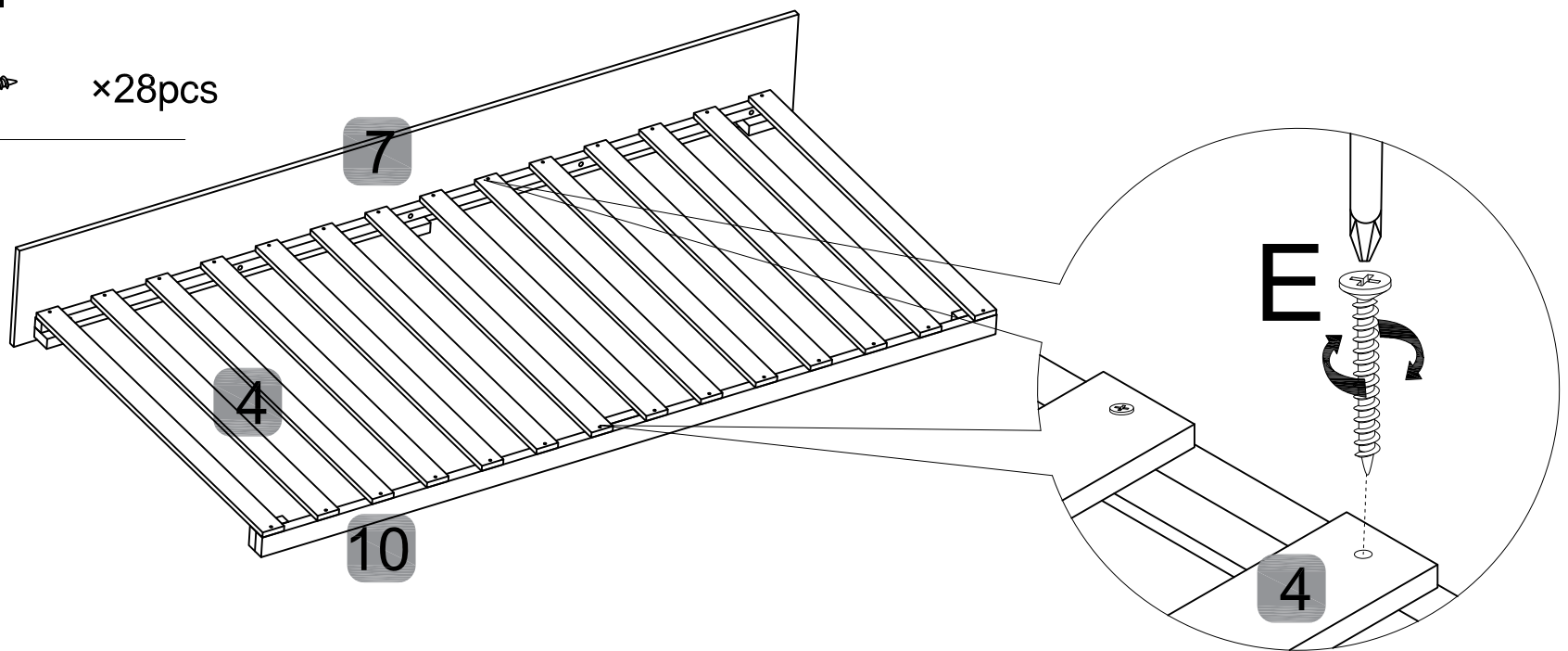
B  ×5pcs

F  ×1pc



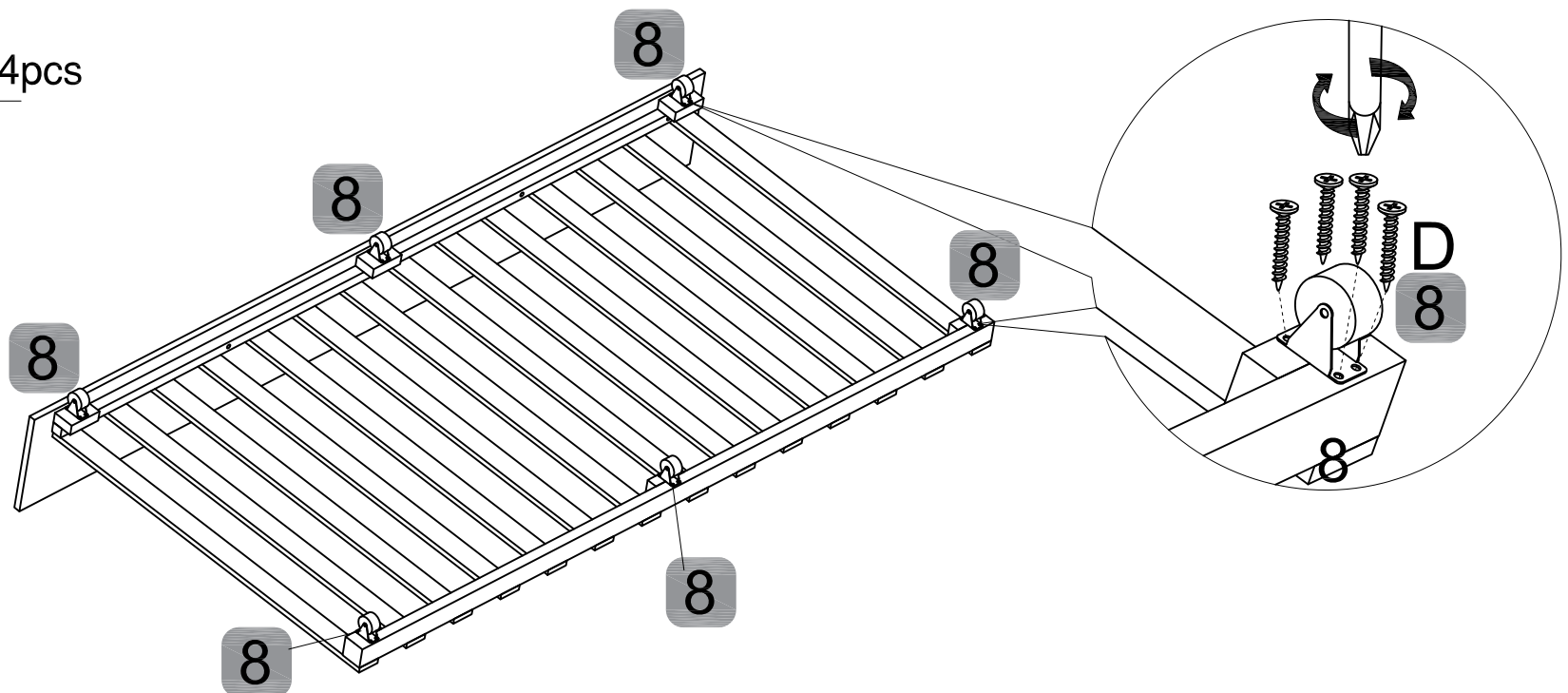
Step 7:

E  ×28pcs

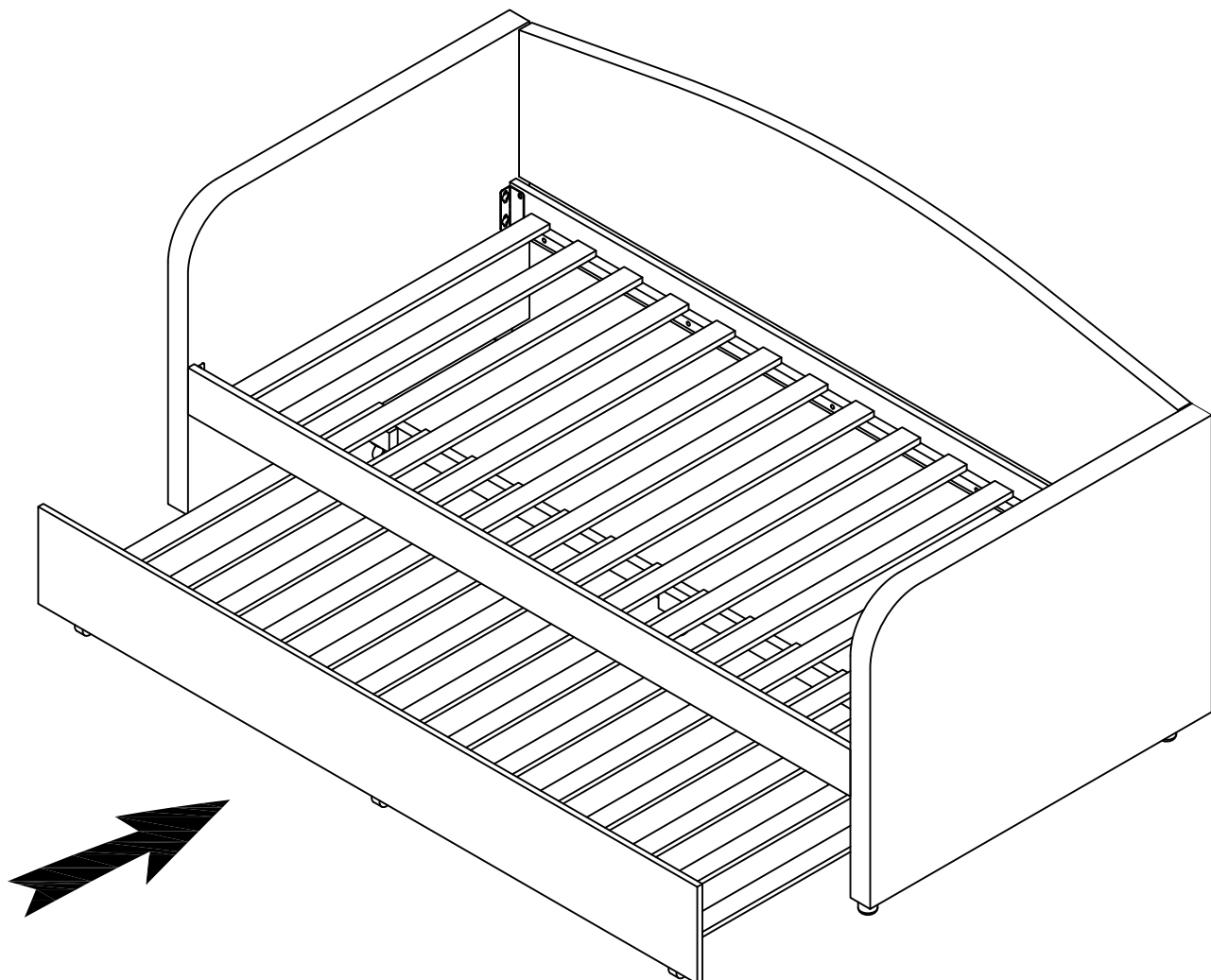


Step 8:

D  ×24pcs



Step 9:



Care and Maintenance

Here are some good tips to keep your new ottoman bed frame in tip-top condition.

Cleaning

To clean your new ottoman bed frame, we advise using a damp cloth if the fabric is dusty or a low suction vacuum. Do not use abrasive chemicals or bleach as this may damage the product.

Checking and moving

Periodically, we recommend you check that the screws and fixtures haven't become loose over time. To move your bed frame, we recommend lifting it where possible, as dragging or pushing it could cause damage to the legs or flooring.

Fabric

Please note, depending on the lighting, positioning and surroundings of your room, the shade of the fabric will appear differently. Over a period of time, the fabric may also lighten or fade slightly due to light exposure.