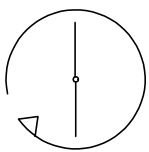
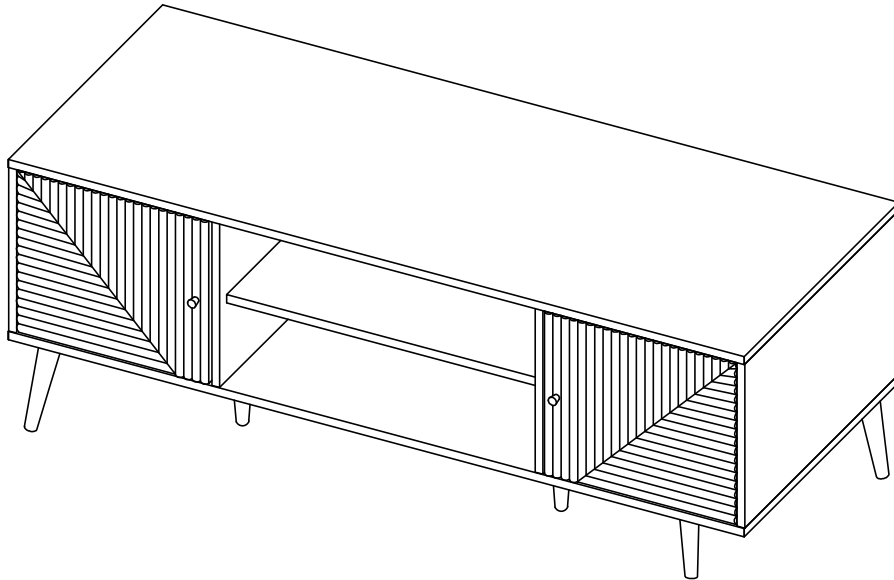
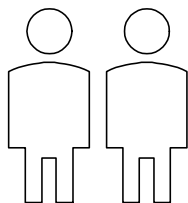


Dora TV Unit



Up to 30 minutes
assembly time



Two person
assembly

IMPORTANT

ASSEMBLY TIP

Before you begin, it's best to identify all of the parts and fittings to build your Dora TV Unit frame. We advise laying these out on the floor to check you have everything, and to familiarise yourself with all of the parts and fittings before building.

TOP TIP

We recommend that you assemble the Dora TV Unit in the room you'd like it to be located. This will help prevent any risk of damage to the frame whilst moving it.

SAFETY AND CARE

It's important to ensure children and animals are kept away from the assembly area, as there are small components used in this product which could present a choking hazard. All plastic and wrapping materials should also be kept away from children and animals to prevent any risk of suffocation.

HELP AND SUPPORT

Please contact our customer service team on 0113 519 0311 if you have any questions or issues with your purchase.

RECYCLING

Please ensure that packaging is disposed of in a safe and environmentally friendly way, and recycle where possible. Please keep your assembly instructions safe to refer back to in the future.

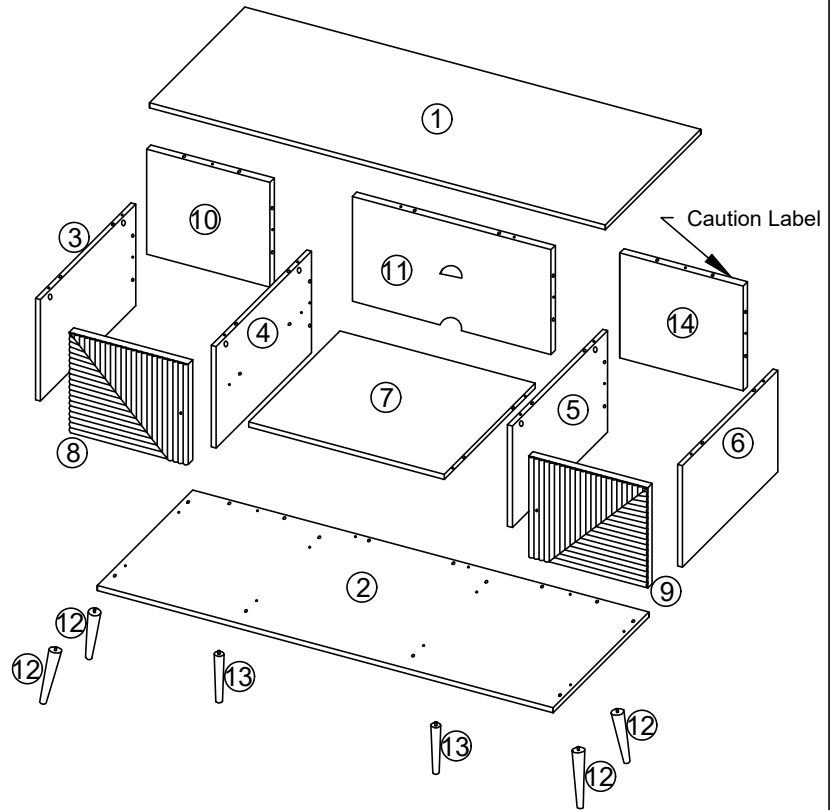
CARE AND MAINTENANCE:

1. Only clean using a damp cloth, do not use bleach or abrasive cleaners as they may damage the finish over time.
2. Do not use a very wet cloth or allow any liquid to contact with the veneer for a long period of time. Wipe any spillage immediately. Absorption can cause wood to warp or finishes to de-laminate.
3. Do not scrub or rub the surface when cleaning.
4. Do not drag the Dora TV Unit when moving, lift it off the floor instead.
5. Use a placemat or a coaster when putting hot items (e.g. hot drinks and dishes) on the wood surface.
6. It is not recommended to place the item next to sources of heat such as radiators, fires or directly exposed to sunlight. This may cause the wood to crack, split or fade due to the heat and humidity.
7. Wood will mellow and change colour over time, we recommend that ornaments and items placed on the surface to be moved regularly to prevent uneven mellowing.
8. Regularly check all fixings to ensure none have come loose. Re-tighten if necessary.
9. Avoid sharp items such as a screwdriver or any pointy tools.
10. Dispose of all packaging carefully and responsibly - recycle where possible.

Parts list

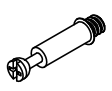

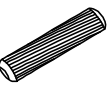




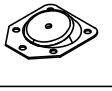


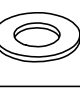
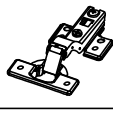
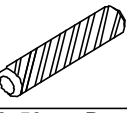
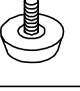
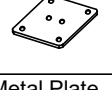
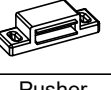





Before you begin building your Dora TV Unit, please take a moment to read through the instructions and make sure that you have all the relevant parts listed on the parts check list.

Part Number	Part Description	Quantity
①	Top	1pc
②	Bottom Panel	1pc
③	Left Side Panel	1pc
④	Left Middle Panel	1pc
⑤	Right Middle Panel	1pc
⑥	Right Side Panel	1pc
⑦	Shelf Panel	1pc
⑧	Left Door Panel	1pc
⑨	Right Door Panel	1pc
⑩	Back Panel	1pc
⑪	Back Middle Panel	1pc
⑫	Leg	4pcs
⑬	Centre Leg	2pcs
⑭	Back Panel	1pc

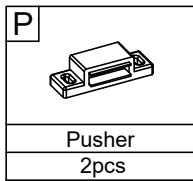
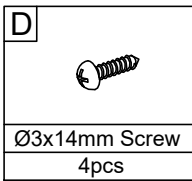
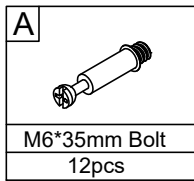
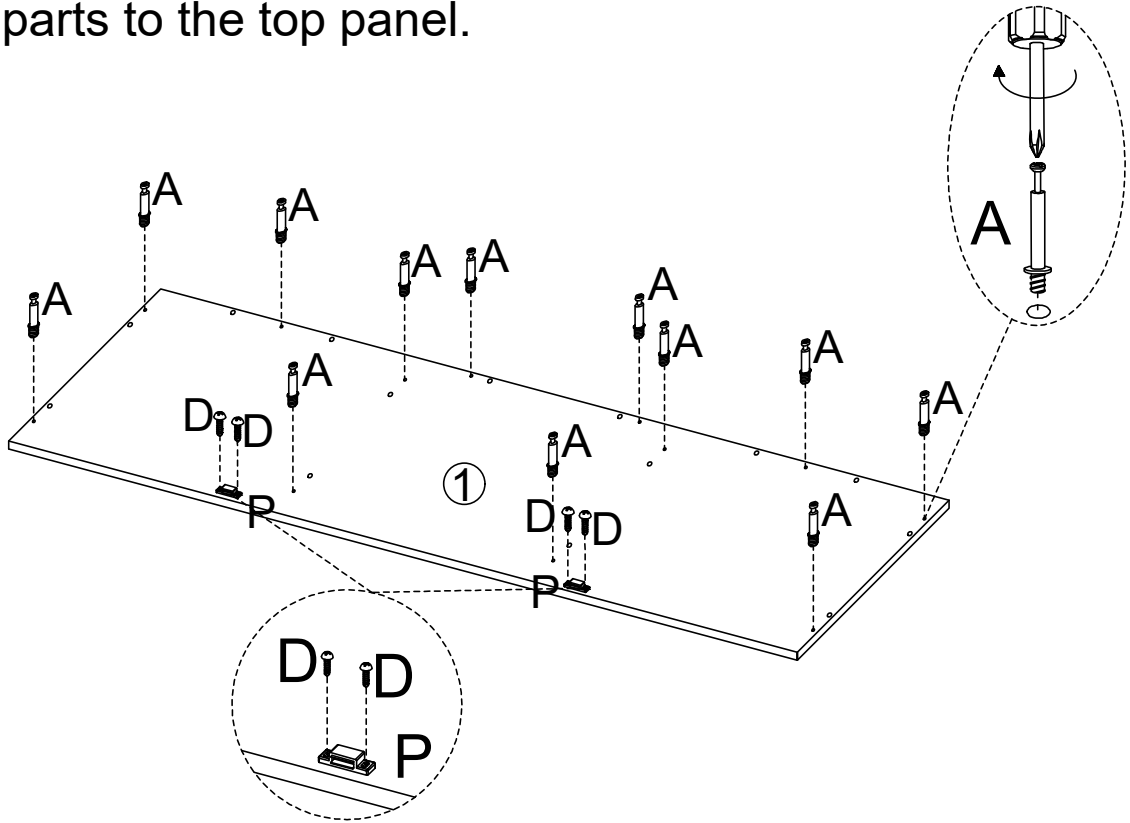


Fittings

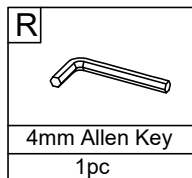
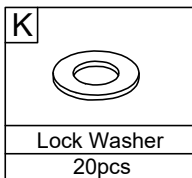
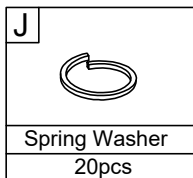
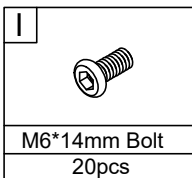
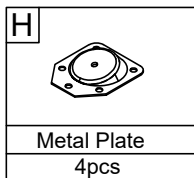
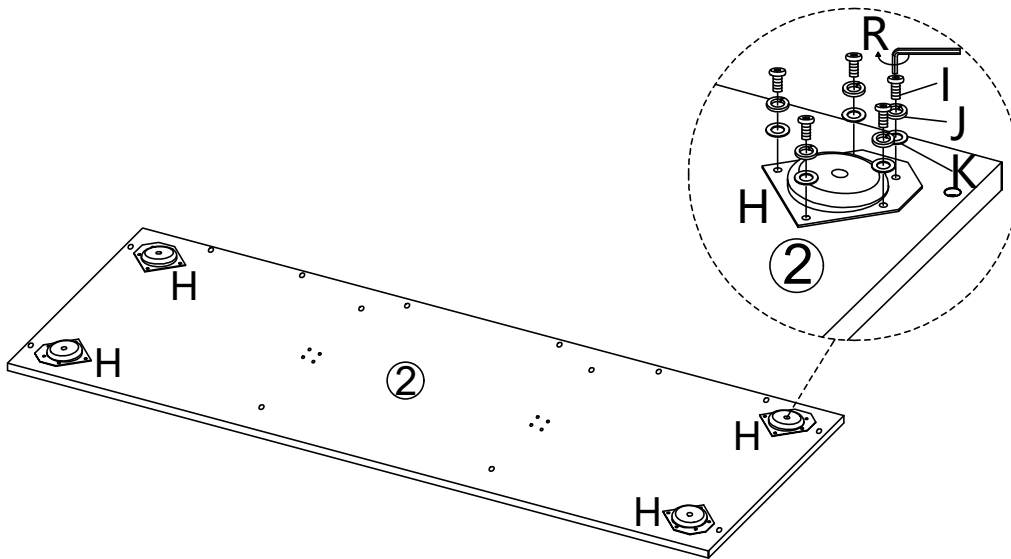
Please check you have all the fittings listed below with your product.

A  M6*35mm Bolt 22pcs+2pc extra	B  Ø15x9.5mm Cam Lock 22pcs+2pc extra	C  Ø8x30mm Dowel 36pcs+3pcs extra	D  Ø3x14mm Screw 4pcs	E  Ø7x40mm Screw 16pcs+2pc extra	F  Handle 2pcs	G  M4*18mm Bolt 2pcs
H  Metal Plate 4pcs	I  M6*14mm Bolt 28pcs+3pcs extra	J  Spring Washer 28pcs+3pcs extra	K  Lock Washer 28pcs+3pcs extra	L  Hinge 4pcs	M  Ø8x50mm Dowel 4pcs	N  Wall Bracket 2pcs
O  Metal Plate 2pcs	P  Pusher 2pcs	Q  Cover 8pcs+1pc extra	R  4mm Allen Key 1pc	S  Ø4x14mm Screw 24pcs+3pcs extra	T  Washer 2pcs	U  Ø3x12mm Screw 2pcs

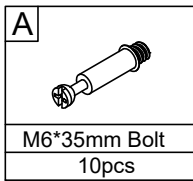
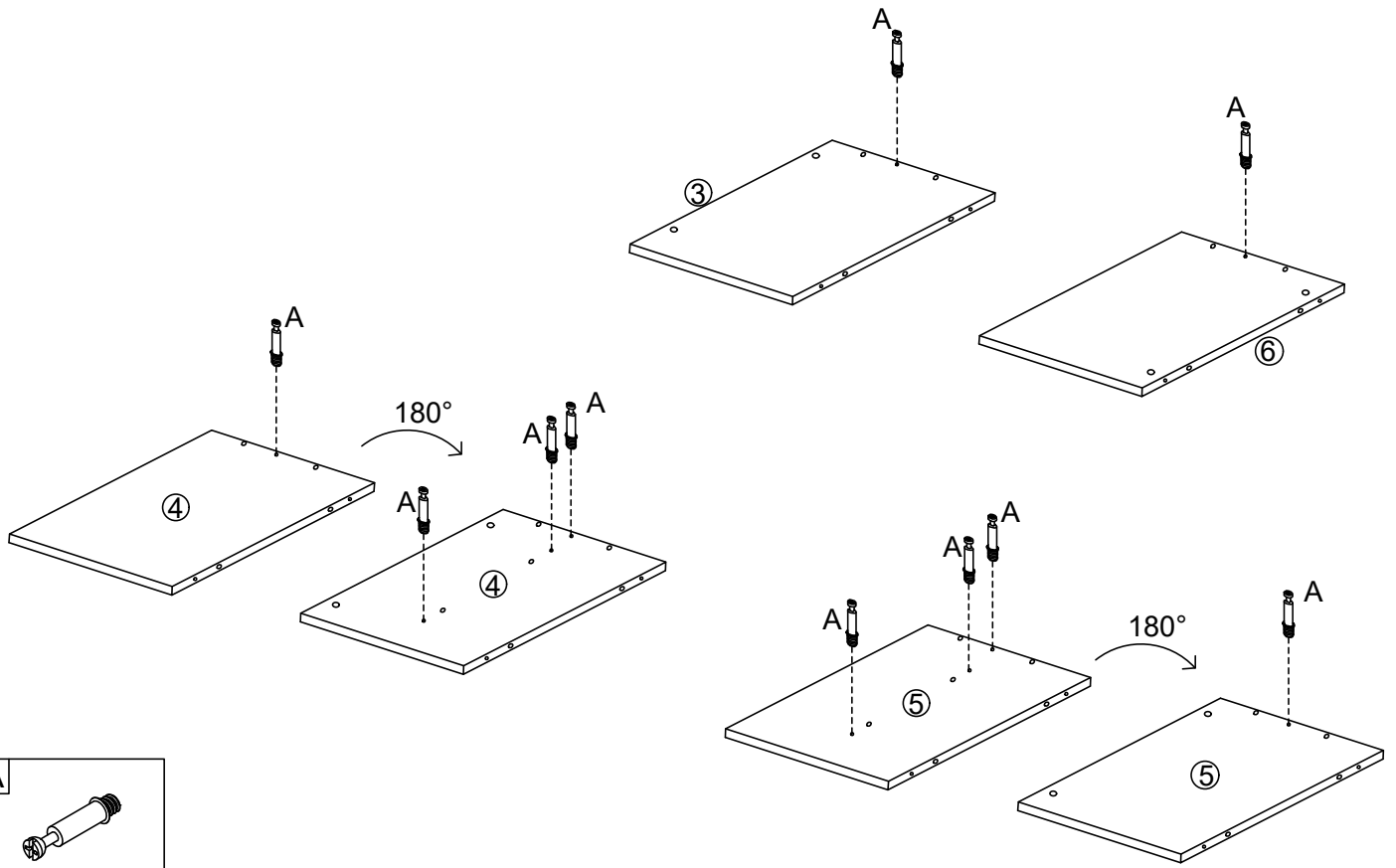
1. Attach parts to the top panel.



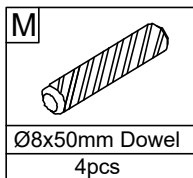
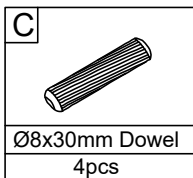
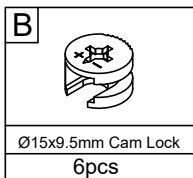
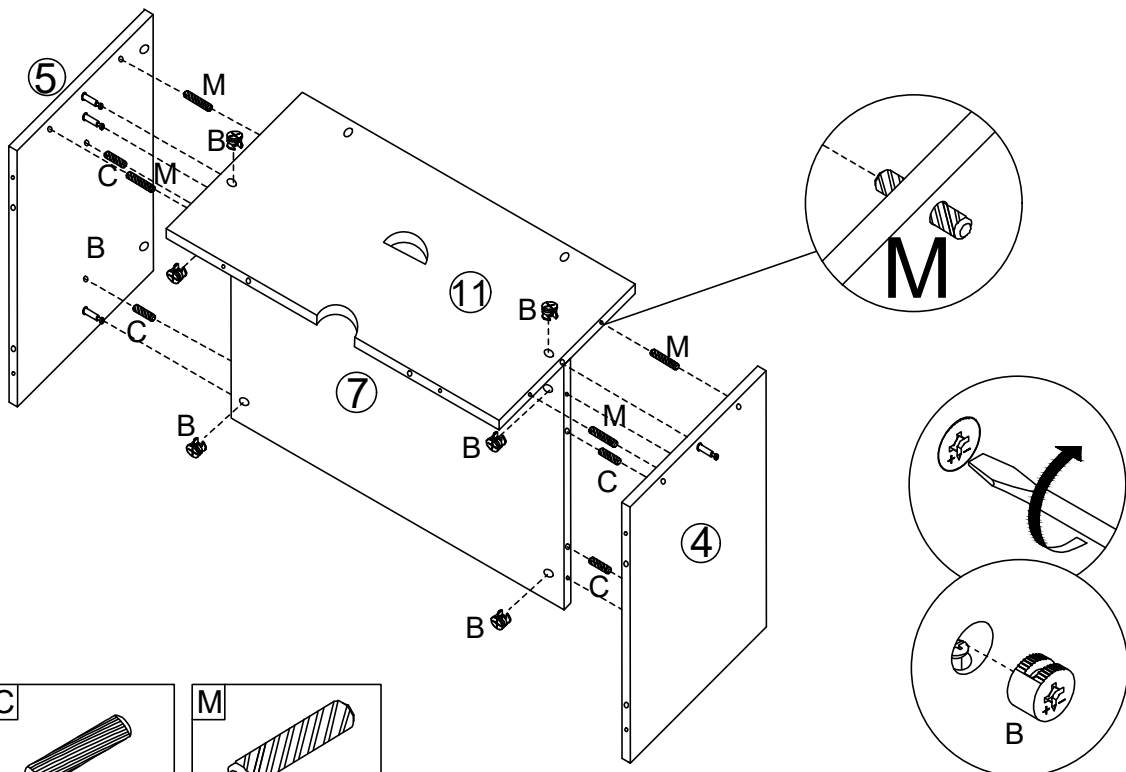
2. Attach the metal plate to the bottom panel.



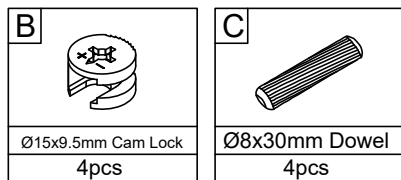
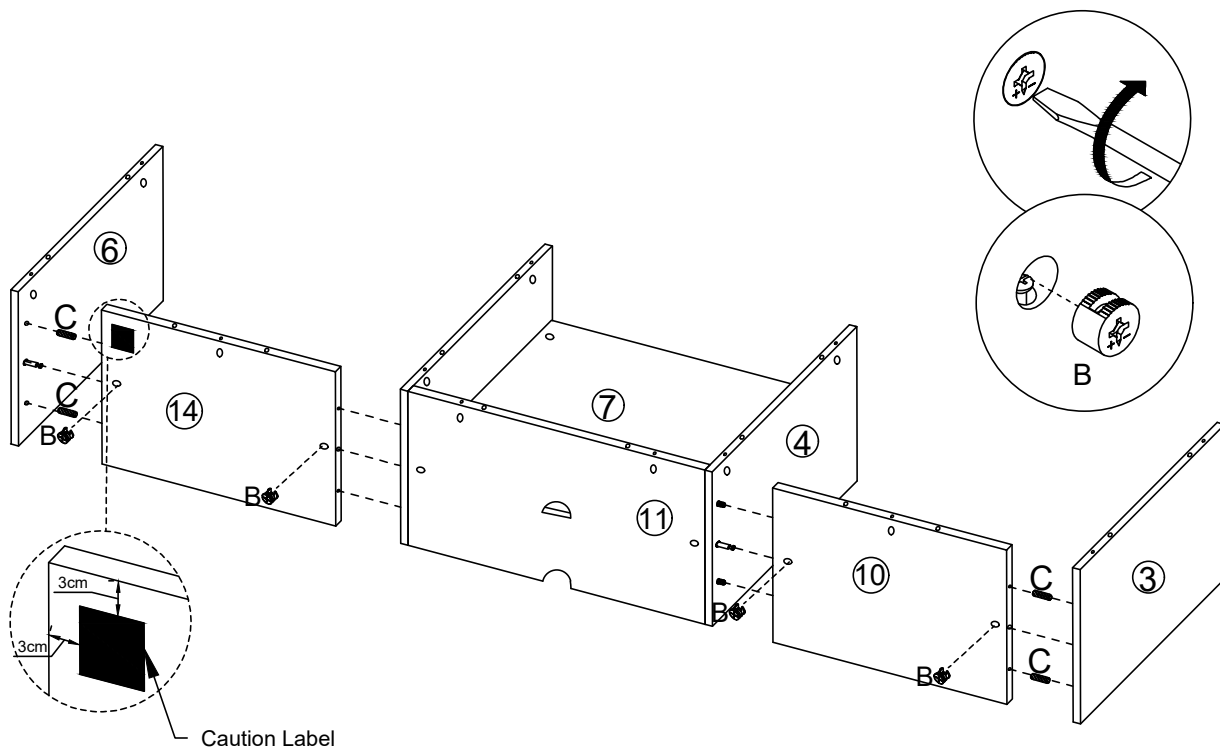
3. Attach parts to Side Panels and Middle Panels.



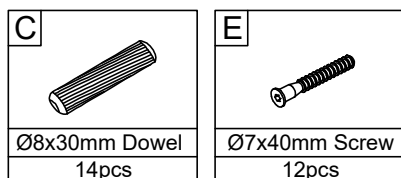
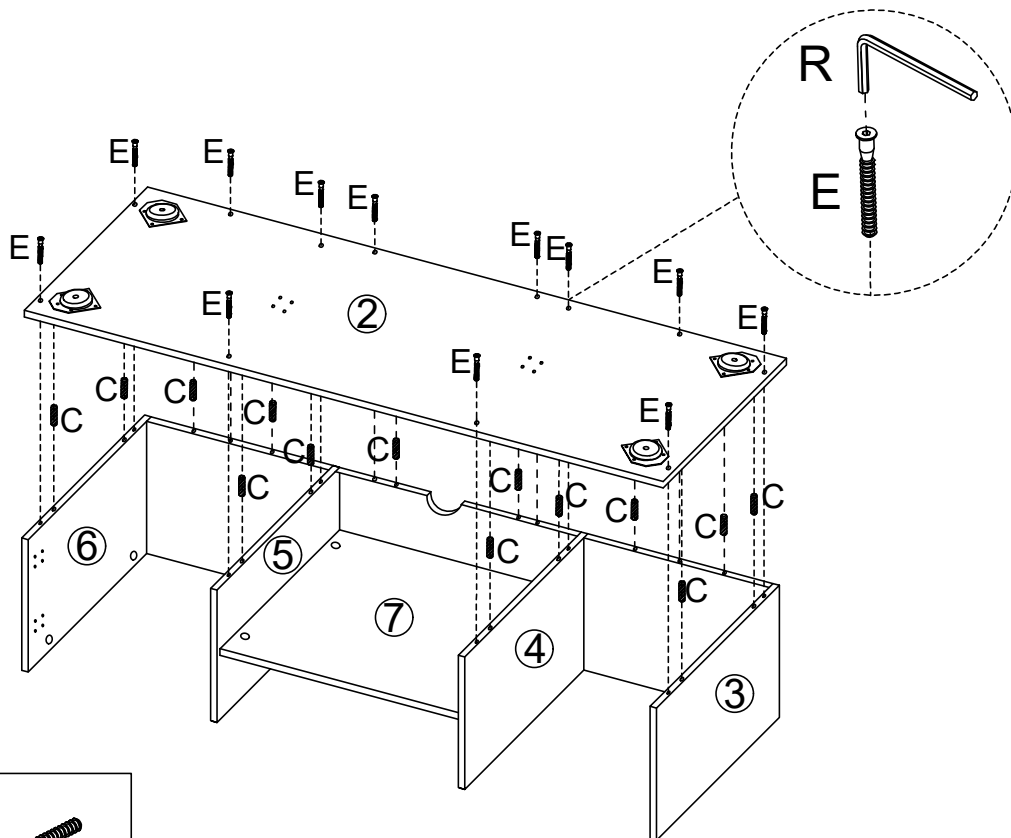
4. Attach Back Middle Panel to middle panels and shelf panel.



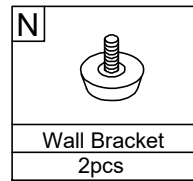
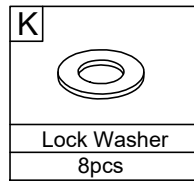
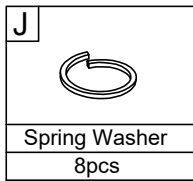
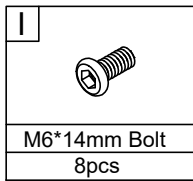
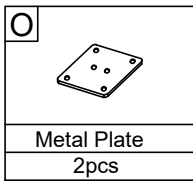
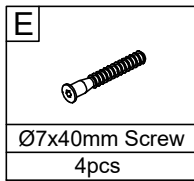
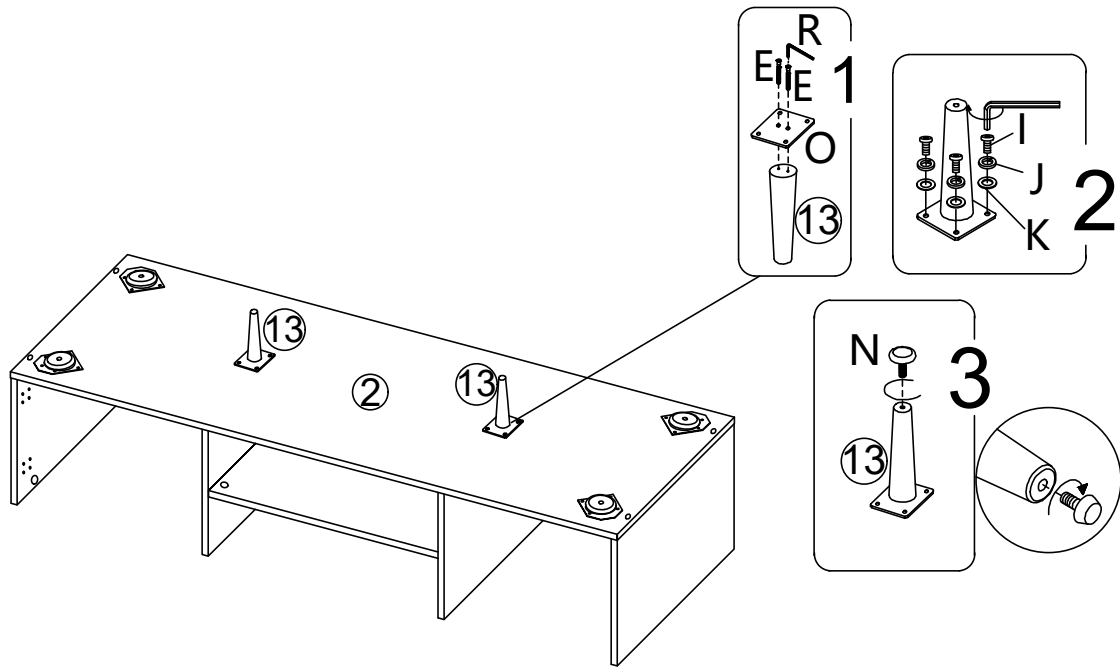
5. Attach side panels and back panels to the frame.



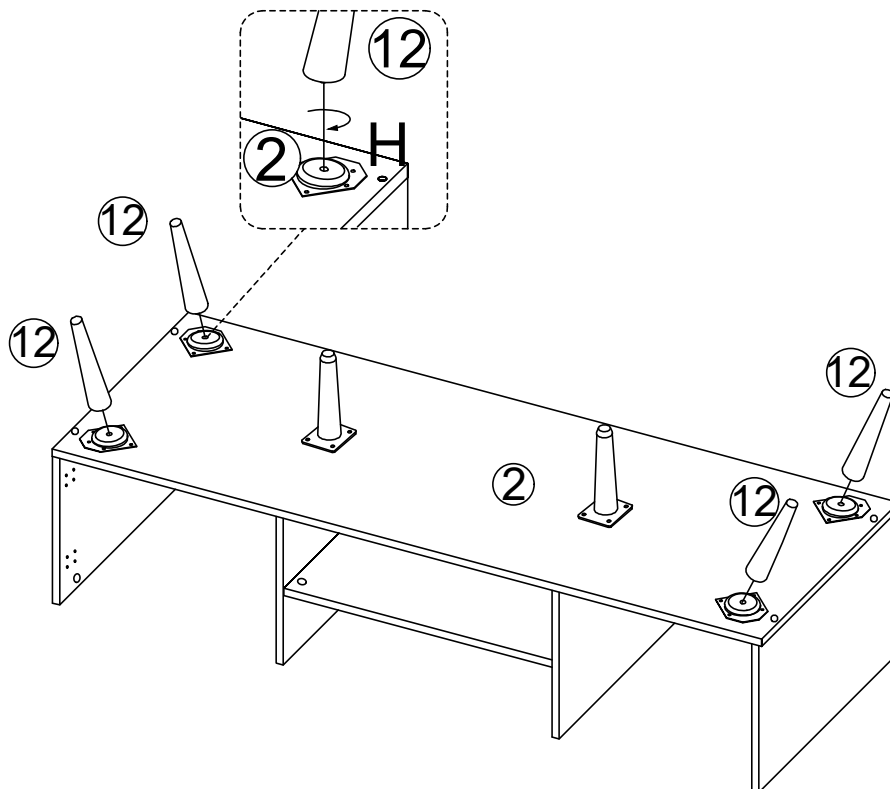
6. Attach bottom panel to the frame.



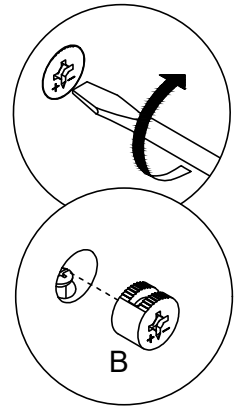
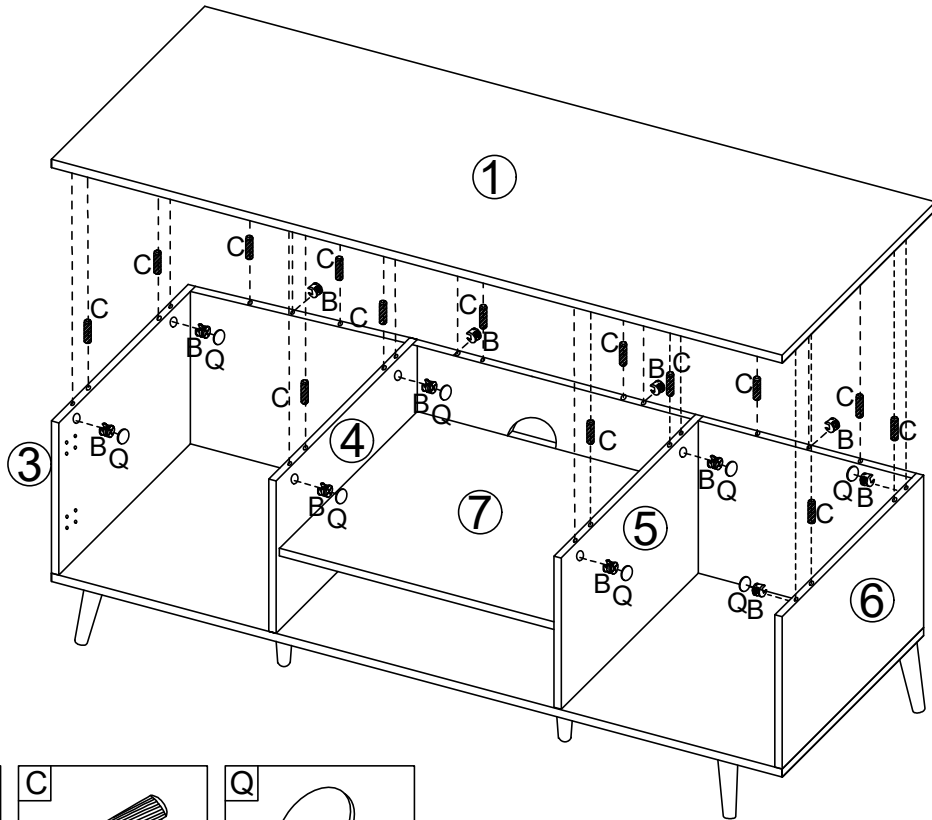
7. Attach middle legs to the frame.


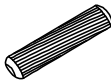



8. Attach legs to the frame.

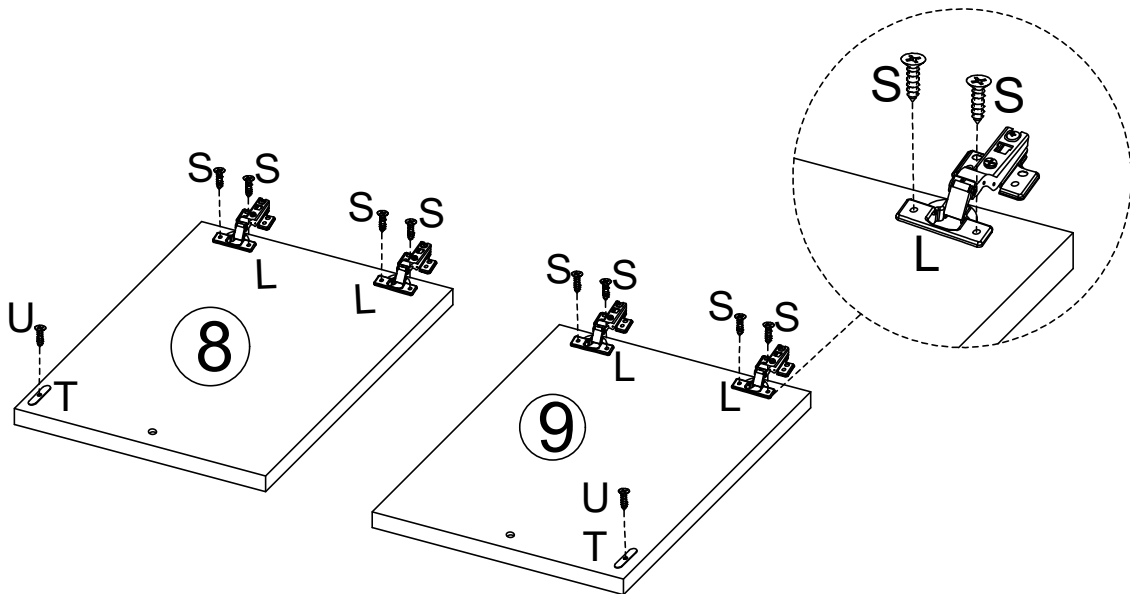


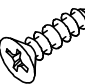

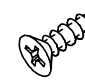

9. Attach top panel to frame.



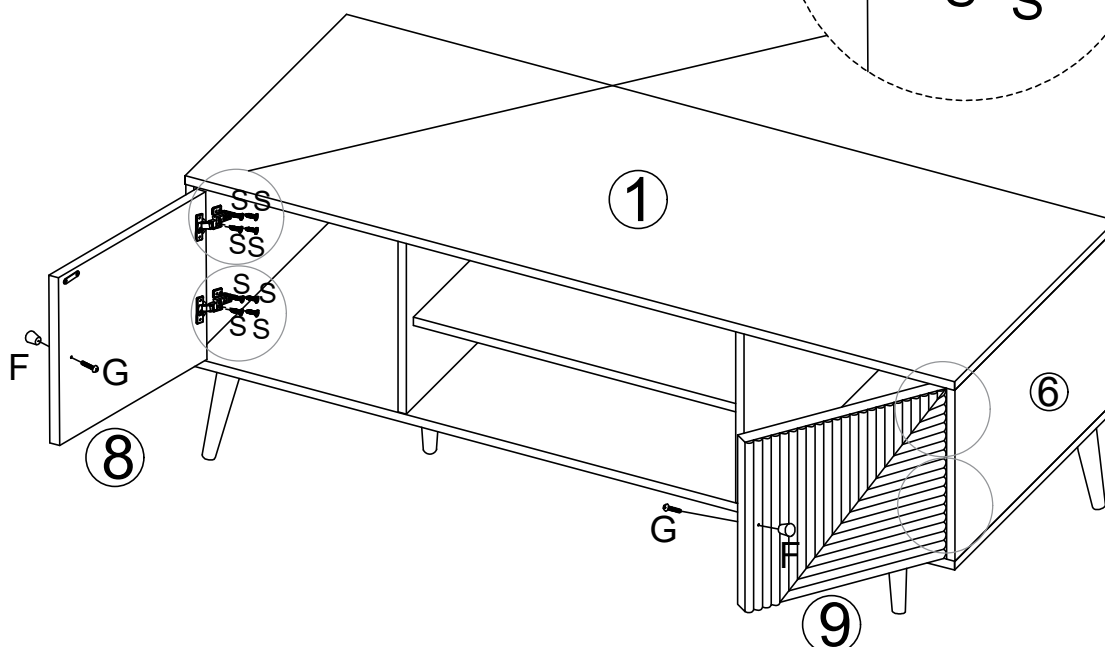
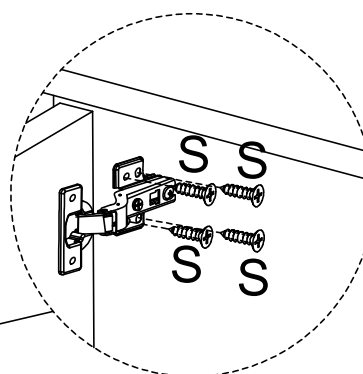
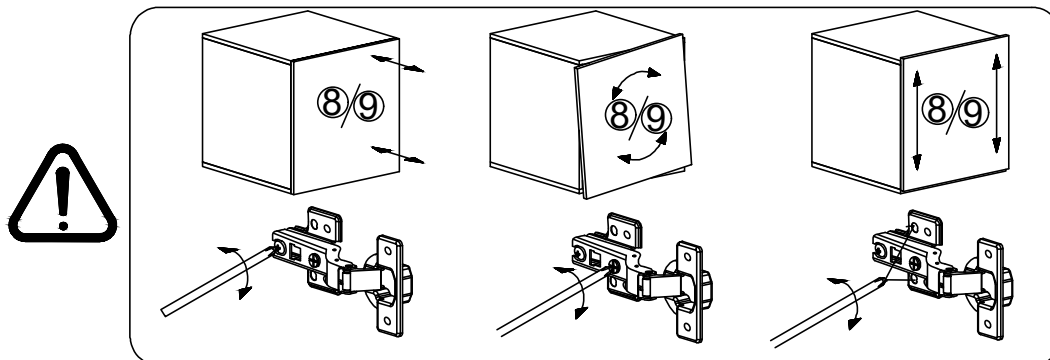
B		C		Q	
Ø15x9.5mm Cam Lock 12pcs		Ø8x30mm Dowel 14pcs		Cover 8pcs	

10. Attach hinges to the door.



S		T		U		L	
Ø4x14mm Screw 8pcs		Washer 2pcs		Ø3x12mm Screw 2pcs		Hinge 4pcs	

11. Attach door panels to the frame.



F	
Handle	
2pcs	

G	
M4*18mm Bolt	
2pcs	

S	
Ø4x14mm Screw	
16pcs	