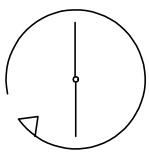
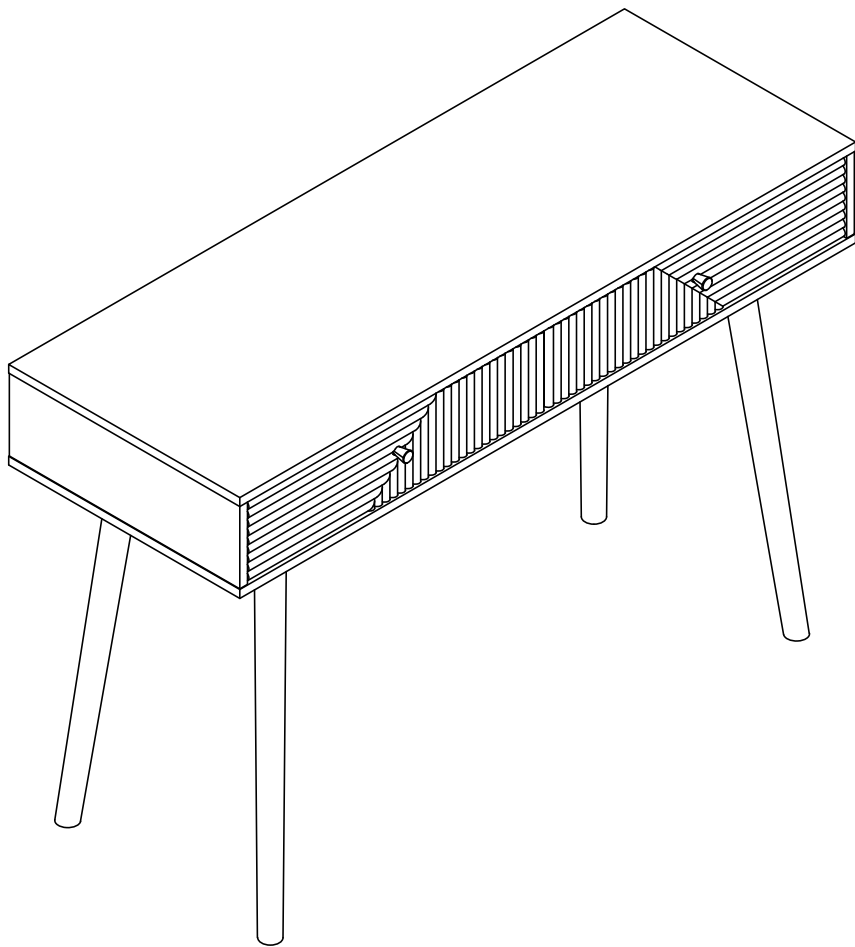
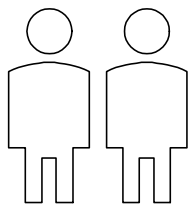


Dora Dressing Table



Up to 30 minutes
assembly time



Two person
assembly

IMPORTANT

ASSEMBLY TIP

Before you begin, it's best to identify all of the parts and fittings to build your Dora Dressing Table frame. We advise laying these out on the floor to check you have everything, and to familiarise yourself with all of the parts and fittings before building.

TOP TIP

We recommend that you assemble the Dora Dressing Table in the room you'd like it to be located. This will help prevent any risk of damage to the frame whilst moving it.

SAFETY AND CARE

It's important to ensure children and animals are kept away from the assembly area, as there are small components used in this product which could present a choking hazard. All plastic and wrapping materials should also be kept away from children and animals to prevent any risk of suffocation.

HELP AND SUPPORT

Please contact our customer service team on 0113 519 0311 if you have any questions or issues with your purchase.

RECYCLING

Please ensure that packaging is disposed of in a safe and environmentally friendly way, and recycle where possible. Please keep your assembly instructions safe to refer back to in the future.

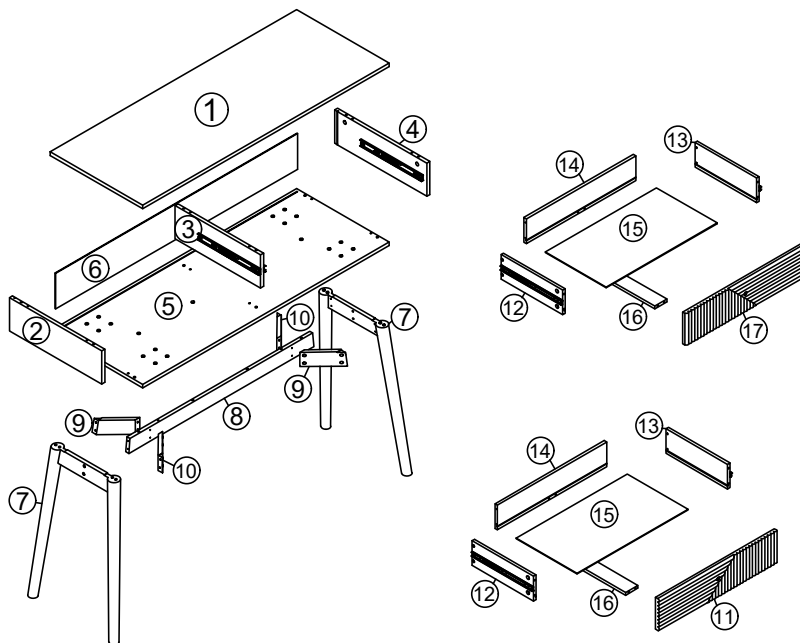
CARE AND MAINTENANCE:

1. Only clean using a damp cloth, do not use bleach or abrasive cleaners as they may damage the finish over time.
2. Do not use a very wet cloth or allow any liquid to contact with the veneer for a long period of time. Wipe any spillage immediately. Absorption can cause wood to warp or finishes to de-laminate.
3. Do not scrub or rub the surface when cleaning.
4. Do not drag the Dora Dressing Table when moving, lift it off the floor instead.
5. Use a placemat or a coaster when putting hot items (e.g. hot drinks and dishes) on the wood surface.
6. It is not recommended to place the item next to sources of heat such as radiators, fires or directly exposed to sunlight. This may cause the wood to crack, split or fade due to the heat and humidity.
7. Wood will mellow and change colour over time, we recommend that ornaments and items placed on the surface to be moved regularly to prevent uneven mellowing.
8. Regularly check all fixings to ensure none have come loose. Re-tighten if necessary.
9. Avoid sharp items such as a screwdriver or any pointy tools.
10. Dispose of all packaging carefully and responsibly - recycle where possible.

Parts list

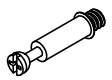

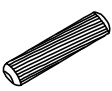




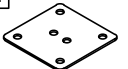



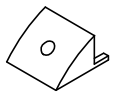
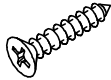








Before you begin building your Dora Dressing Table, please take a moment to read through the instructions and make sure that you have all the relevant parts listed on the parts check list.

Part Number	Part Description	Quantity
①	Dressing Table Top	1pc
②	Left Side Panel	1pc
③	Middle Panel	1pc
④	Right Side Panel	1pc
⑤	Bottom Panel	1pc
⑥	Back Panel	2pcs
⑦	Leg	2pcs
⑧	supporting panel	1pc
⑨	strengthen panel	2pcs
⑩	strengthen panel	2pcs
⑪	Left Drawer Front	1pc
⑫	Drawer Left Side	2pcs
⑬	Drawer Right Side	2pcs
⑭	Drawer Back Side	2pcs
⑮	Drawer Bottom	2pcs
⑯	Drawer Floor	2pcs
⑰	Right Drawer Front	1pc

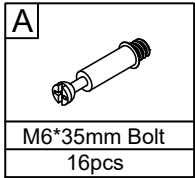
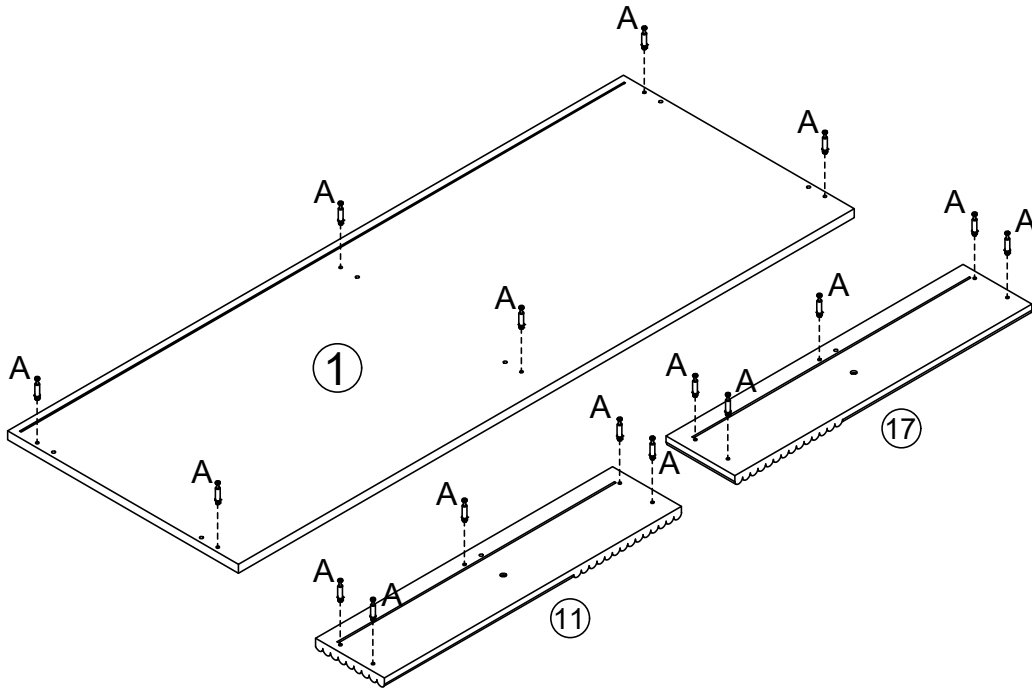


Fittings

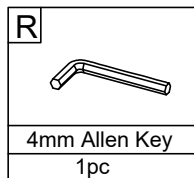
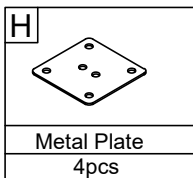
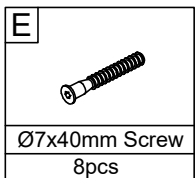
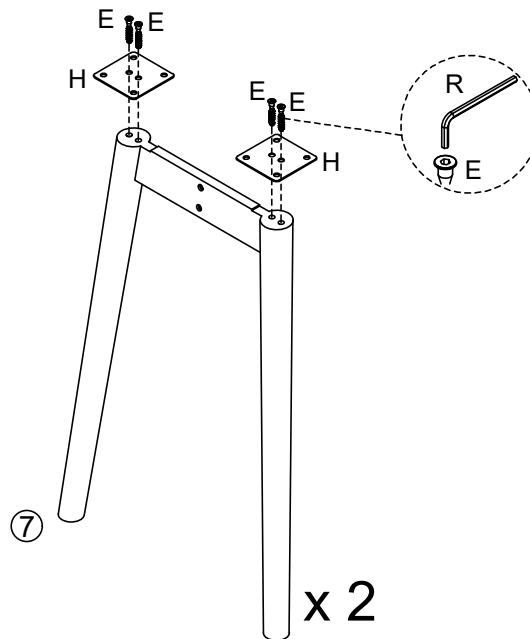
Please check you have all the fittings listed below with your product.

A  M6*35mm Bolt 16pcs+2pcs extra	B  Ø15x9.5mm Cam Lock 16pcs+2pcs extra	C  Ø8x30mm Dowel 14pcs+1pc extra	D  Ø4x35mm Screw 18pcs+2pcs extra	E  Ø7x40mm Screw 14pcs+1pc extra	F  Handle 2pcs	G  M4*18mm Bolt 2pcs
H  Metal Plate 4pcs	I  M6*14mm Bolt 16pcs+2pcs extra	J  Spring Washer 16pcs+2pcs extra	K  Lock Washer 20pcs+2pcs extra	L  Plastic Buckle 8pcs+1pc extra	M  Ø3x16mm Screw 8pcs+1pc extra	N  Wall Bracket 2pcs
O  Ø4x14mm Screw 2pcs	P  Wall Plug 2pcs	Q  Cover 14pcs+1pc extra	R  4mm Allen Key 1pc	S  Ø4x25mm Screw 16pcs+2pcs extra	T  M6*50mm Bolt 4pcs	U  Ø6x30mm Dowel 2pcs

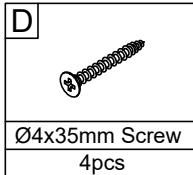
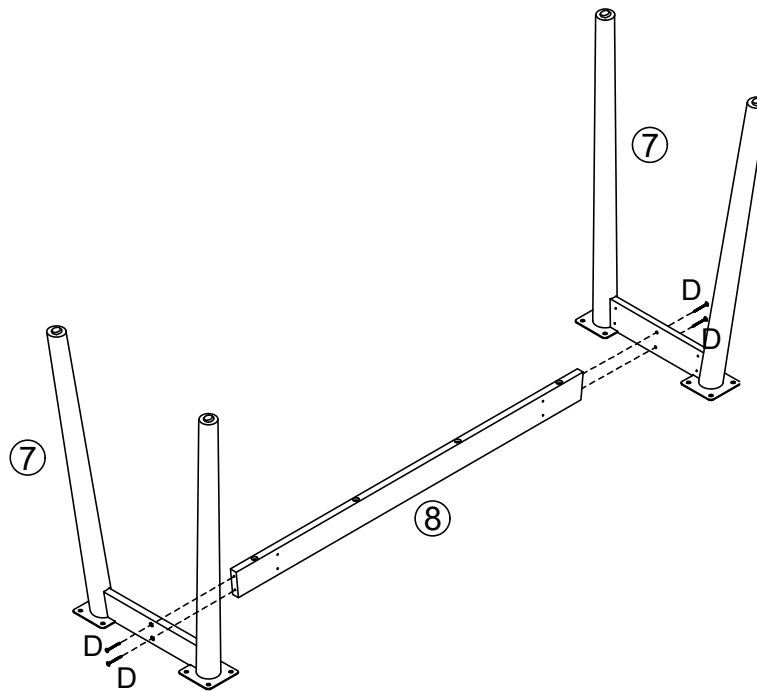
1. Attach parts to the dressing table top and drawer Front.



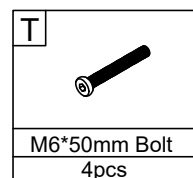
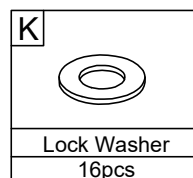
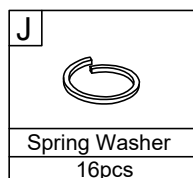
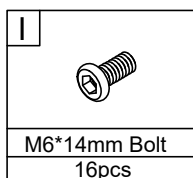
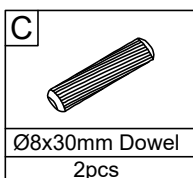
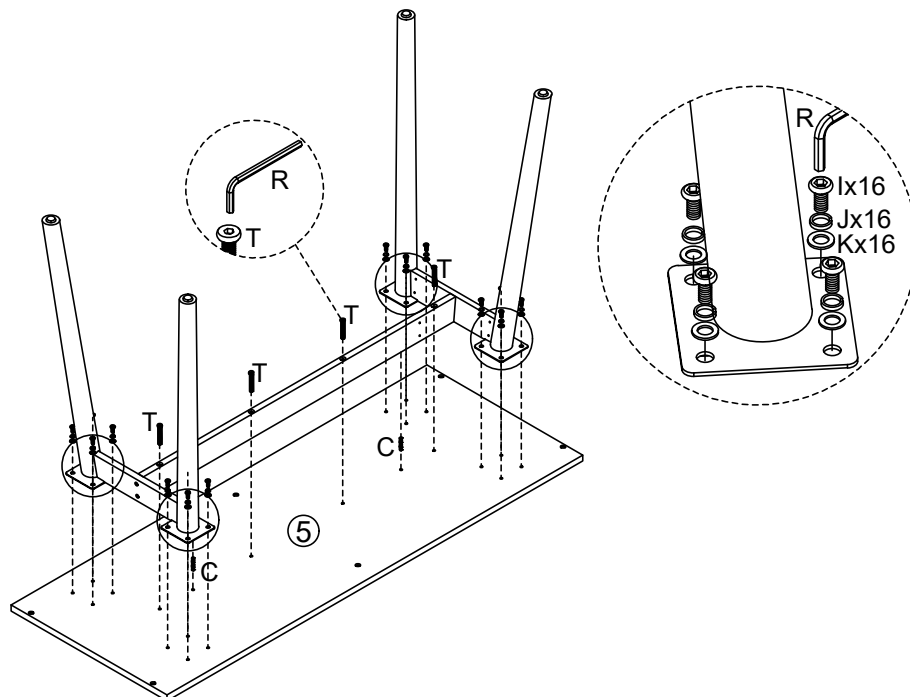
2. Attach the metal plate to the legs.



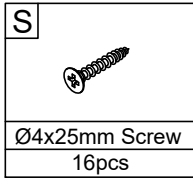
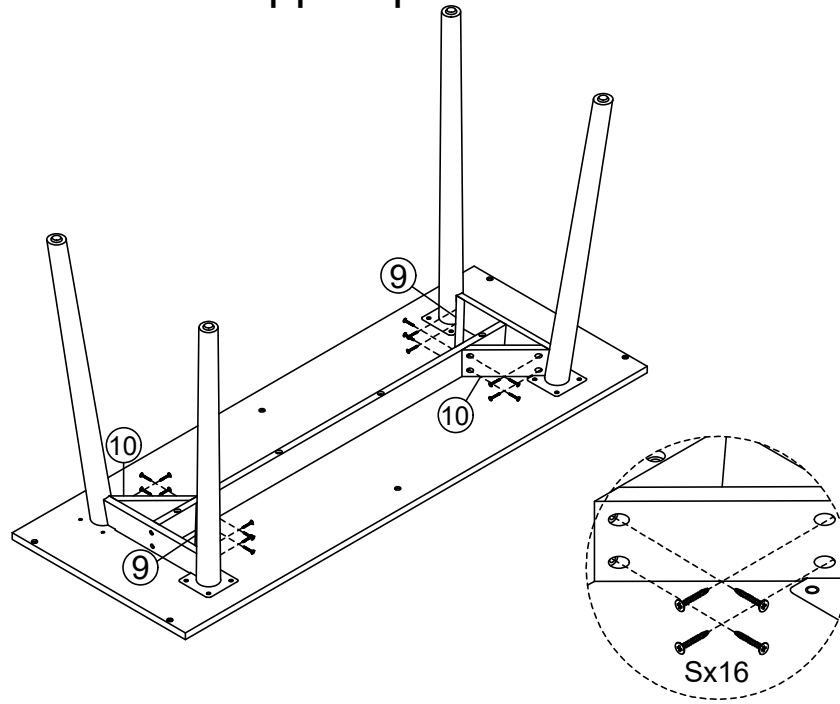
3. Attach the supporting panel to the side frame.



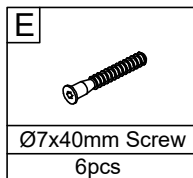
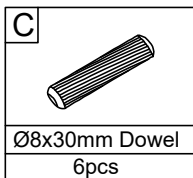
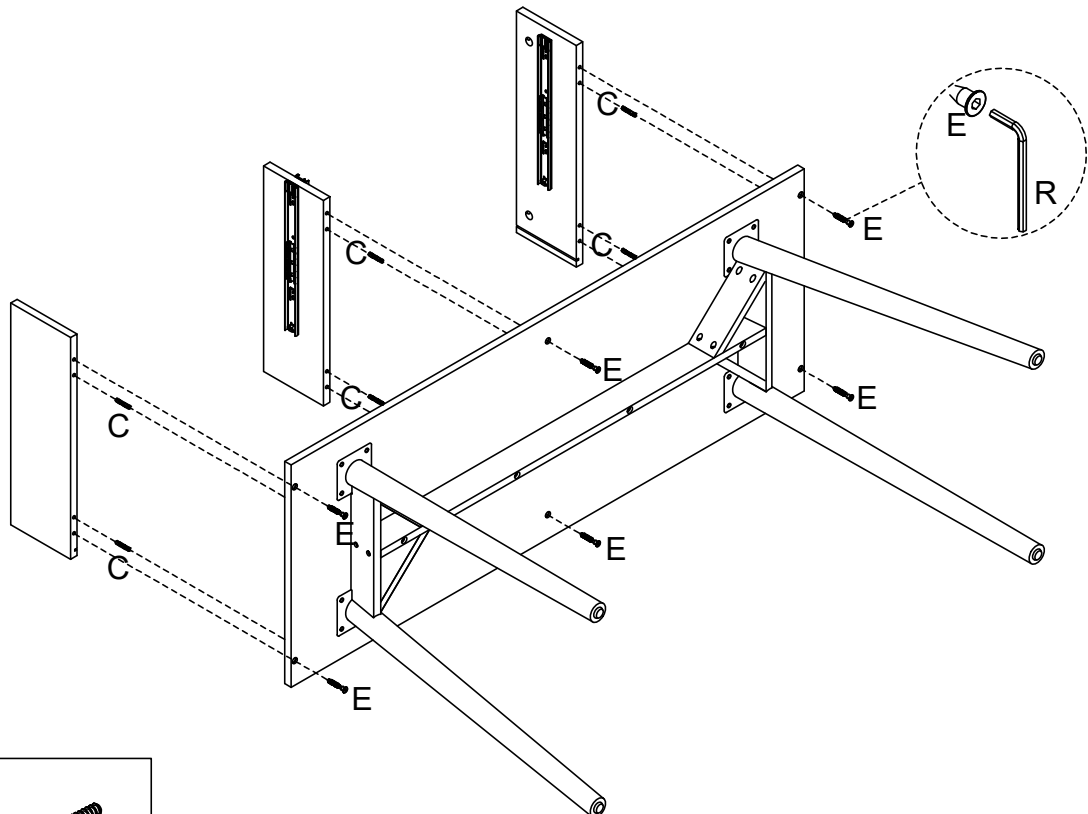
4. Attach legs to the bottom panel.



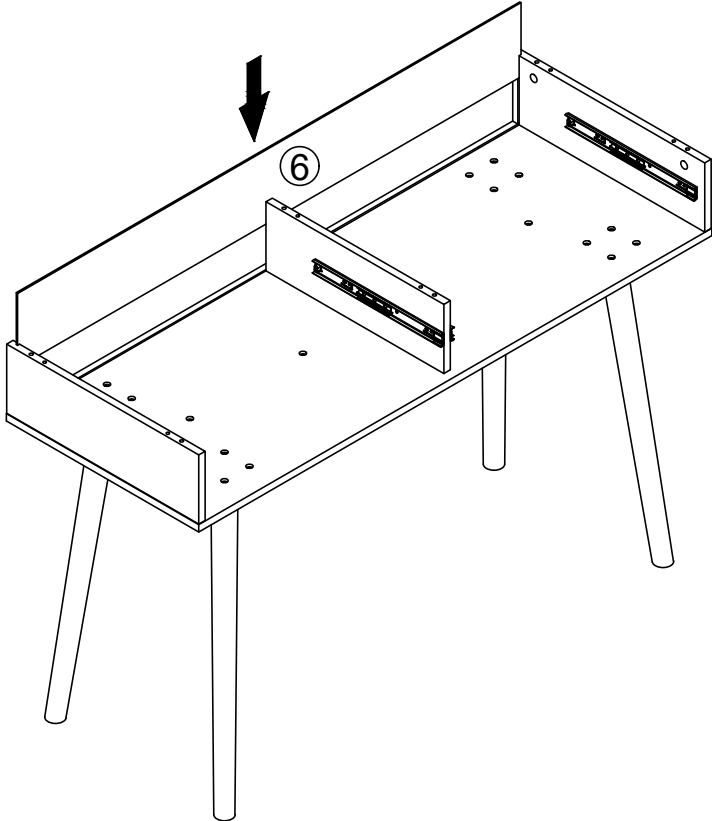
5. Attach the four short support panel.



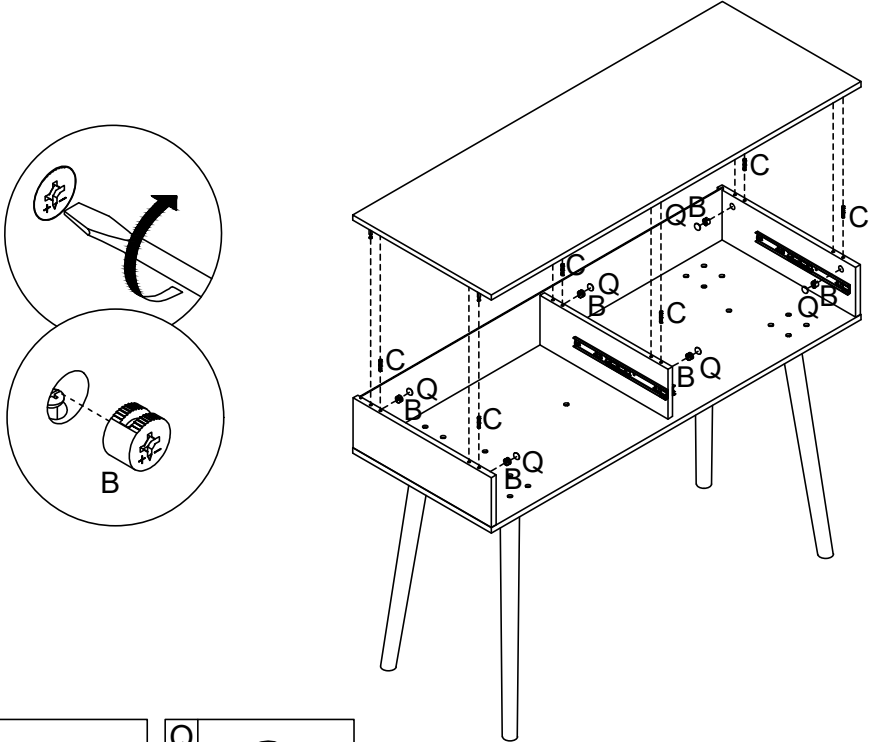
6. Attach the side panel and middle panel to the dressing table bottom.



7. Assemble the back panel.



8. Attach top panel to the frame.

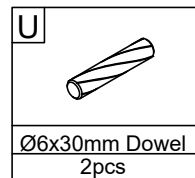
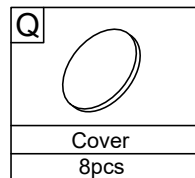
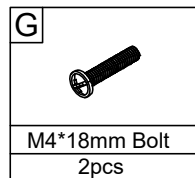
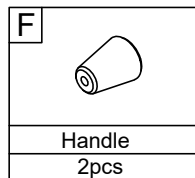
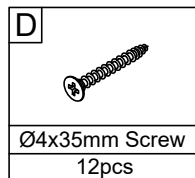
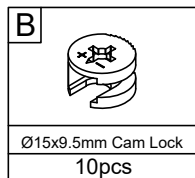
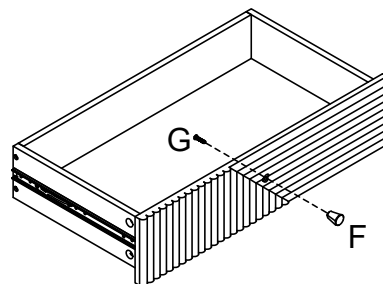
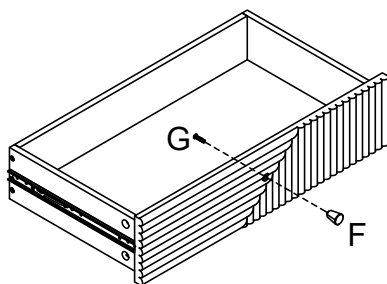
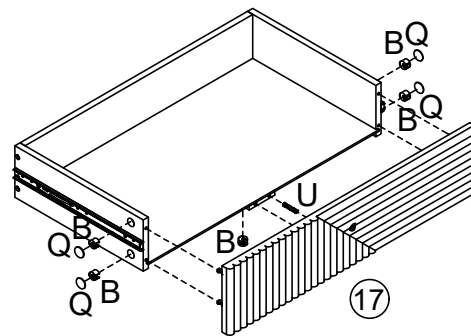
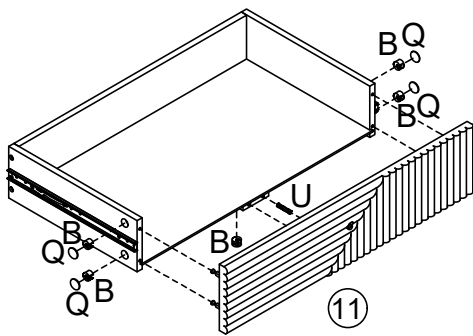
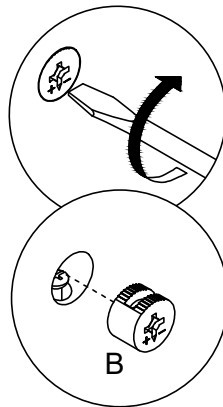
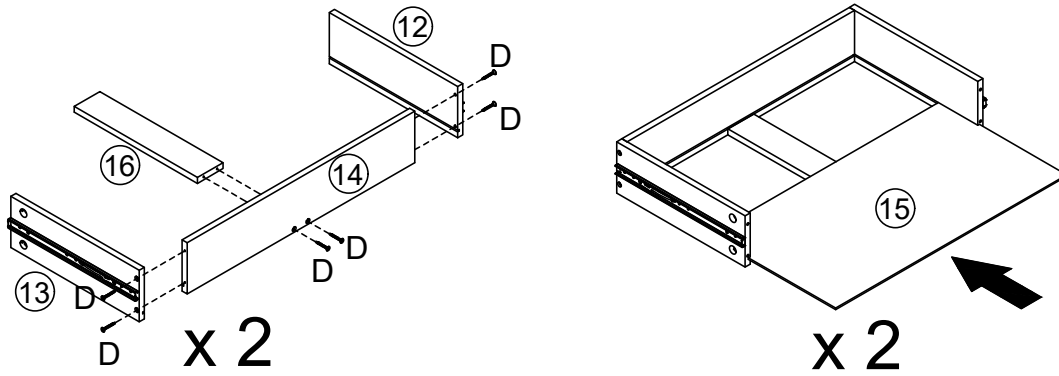


B	
Ø15x9.5mm Cam Lock	
6pcs	

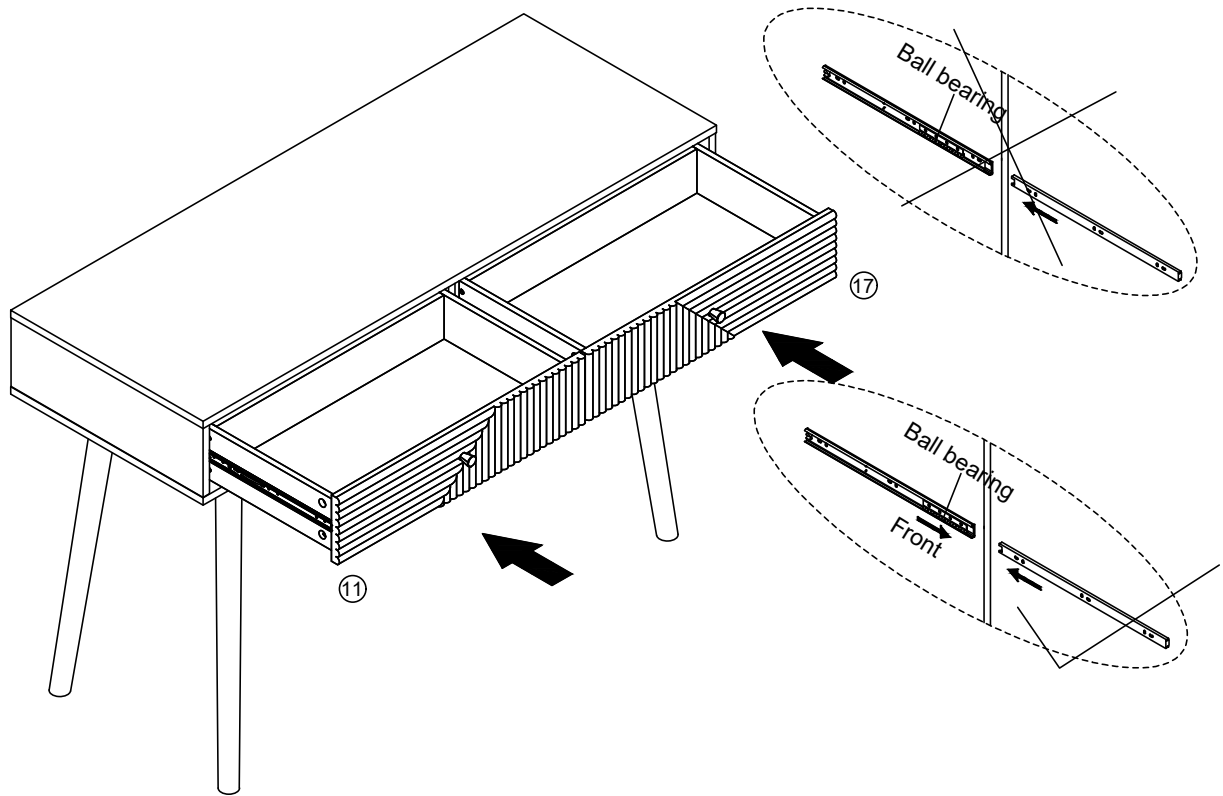
C	
Ø8x30mm Dowel	
6pcs	

Q	
Cover	
6pcs	

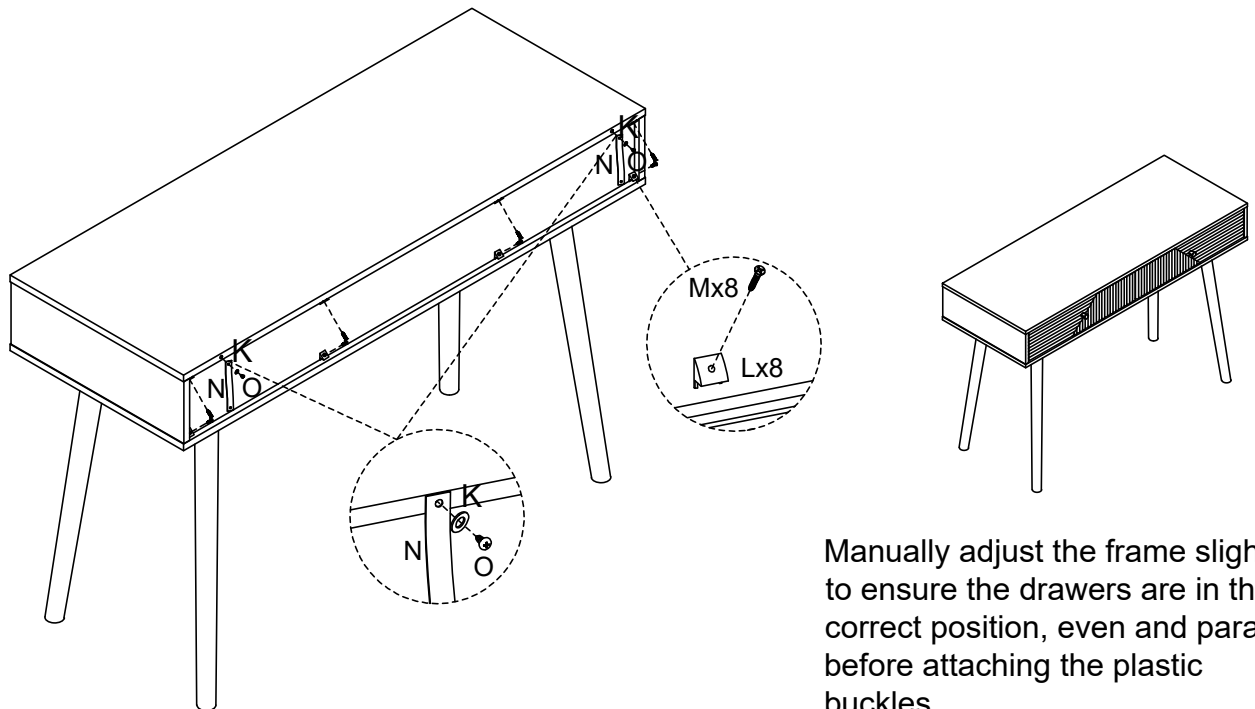
9. Assemble the drawers.



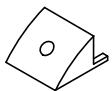
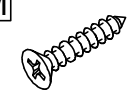

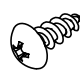

10. Attaching the drawers to the dressing table frame.



11. Attach the plastic buckles and nylon strip.



Manually adjust the frame slightly to ensure the drawers are in the correct position, even and parallel before attaching the plastic buckles.

L 	M 	N 	O 	K 
Plastic Buckle 8pcs	Ø3x16mm Screw 8pcs	Wall Bracket 2pcs	Ø4x12mm Screw 2pcs	Lock Washer 2pcs

12. Fix the nylon strip to the wall.

