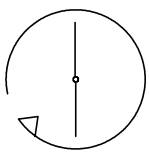
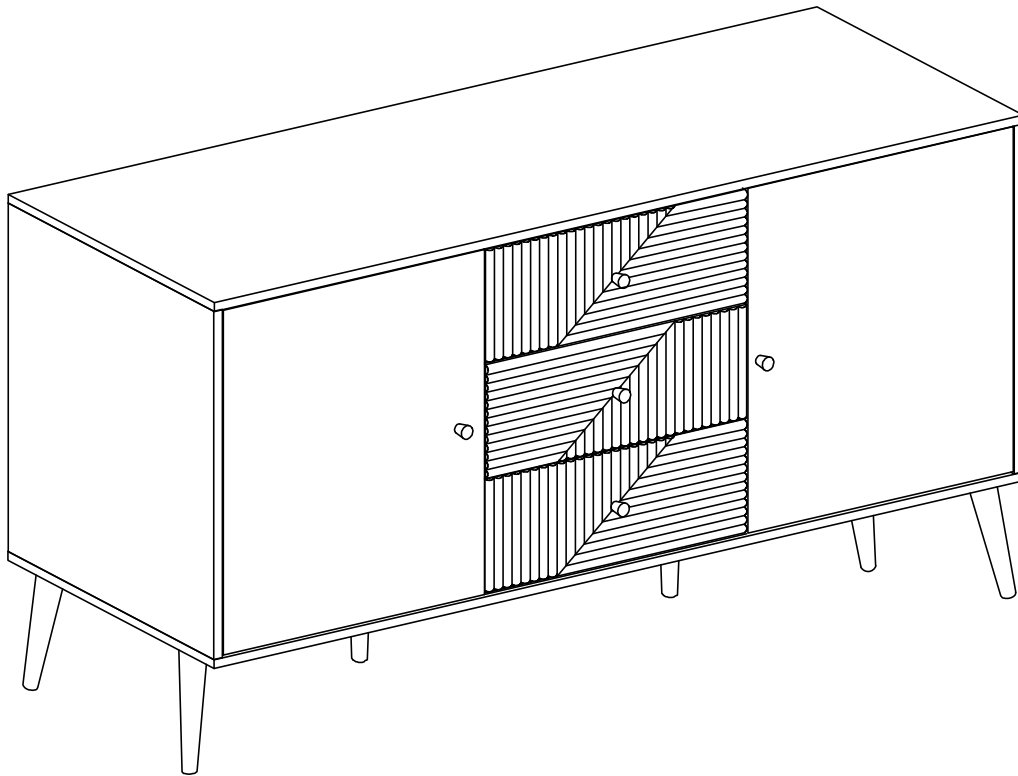
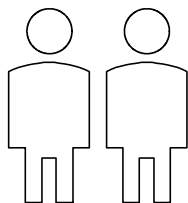


Dora 2 Door 3 Drawer Sideboard



Up to 60 minutes
assembly time



Two person
assembly

IMPORTANT

ASSEMBLY TIP

Before you begin, it's best to identify all of the parts and fittings to build your Dora 2 Door 3 Drawer Sideboard frame. We advise laying these out on the floor to check you have everything, and to familiarise yourself with all of the parts and fittings before building.

TOP TIP

We recommend that you assemble the Dora 2 Door 3 Drawer Sideboard in the room you'd like it to be located. This will help prevent any risk of damage to the frame whilst moving it.

SAFETY AND CARE

It's important to ensure children and animals are kept away from the assembly area, as there are small components used in this product which could present a choking hazard. All plastic and wrapping materials should also be kept away from children and animals to prevent any risk of suffocation.

HELP AND SUPPORT

Please contact our customer service team on 0113 519 0311 if you have any questions or issues with your purchase.

RECYCLING

Please ensure that packaging is disposed of in a safe and environmentally friendly way, and recycle where possible. Please keep your assembly instructions safe to refer back to in the future.

CARE AND MAINTENANCE:

1. Only clean using a damp cloth, do not use bleach or abrasive cleaners as they may damage the finish over time.
2. Do not use a very wet cloth or allow any liquid to contact with the veneer for a long period of time. Wipe any spillage immediately. Absorption can cause wood to warp or finishes to de-laminate.
3. Do not scrub or rub the surface when cleaning.
4. Do not drag the Dora 2 Door 3 Drawer Sideboard when moving, lift it off the floor instead.
5. Use a placemat or a coaster when putting hot items (e.g. hot drinks and dishes) on the wood surface.
6. It is not recommended to place the item next to sources of heat such as radiators, fires or directly exposed to sunlight. This may cause the wood to crack, split or fade due to the heat and humidity.
7. Wood will mellow and change colour over time, we recommend that ornaments and items placed on the surface to be moved regularly to prevent uneven mellowing.
8. Regularly check all fixings to ensure none have come loose. Re-tighten if necessary.
9. Avoid sharp items such as a screwdriver or any pointy tools.
10. Dispose of all packaging carefully and responsibly - recycle where possible.

Parts list

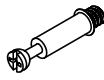

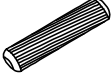







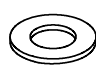
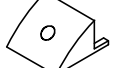
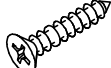





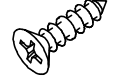

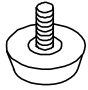
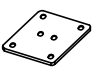


Before you begin building your Dora 2 Door 3 Drawer Sideboard, please take a moment to read through the instructions and make sure that you have all the relevant parts listed on the parts check list.

Part Number	Part Description	Quantity
①	Top	1pc
②	Bottom Panel	1pc
③	Left Side Panel	1pc
④	Left Middle Panel	1pc
⑤	Right Middle Panel	1pc
⑥	Right Side Panel	1pc
⑦	Shelf Panel	2pcs
⑧	Centre Support	2pcs
⑨	Centre Support	1pc
⑩	Back Panel	1pc
⑪	Back Panel	2pcs

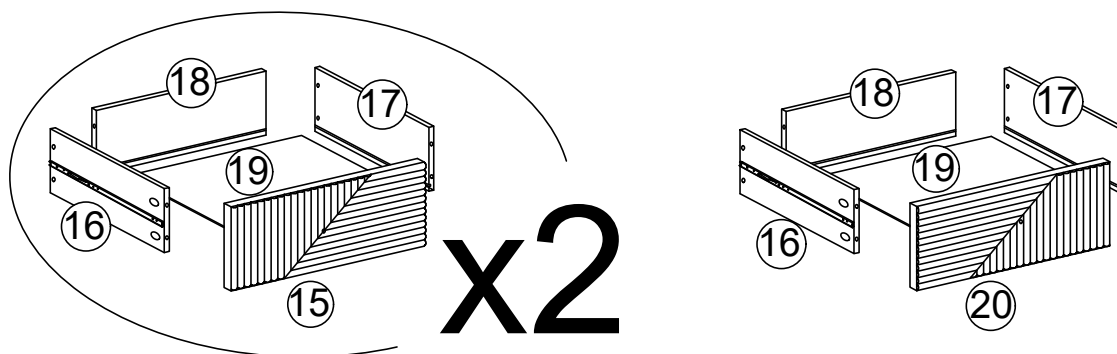
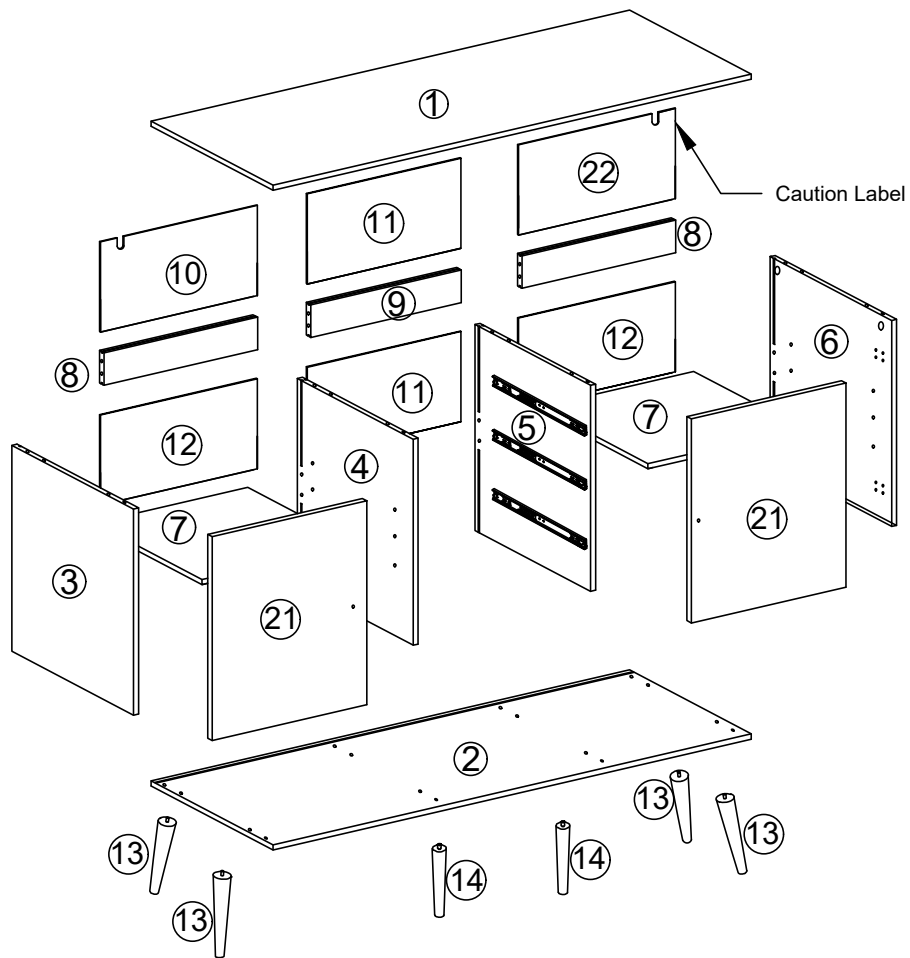
Part Number	Part Description	Quantity
⑫	Back Panel	1pc
⑬	Leg	1pc
⑭	Centre Leg	1pc
⑮	Drawer Front	1pc
⑯	Drawer Left Side	1pc
⑰	Drawer Right Side	1pc
⑱	Drawer Back Side	4pcs
⑲	Drawer Bottom	1pc
⑳	Drawer Front	1pc
㉑	Door Panel	2pcs
㉒	Back Panel	1pc

Fittings

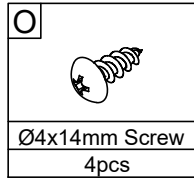
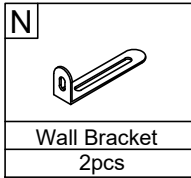
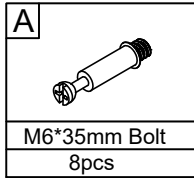
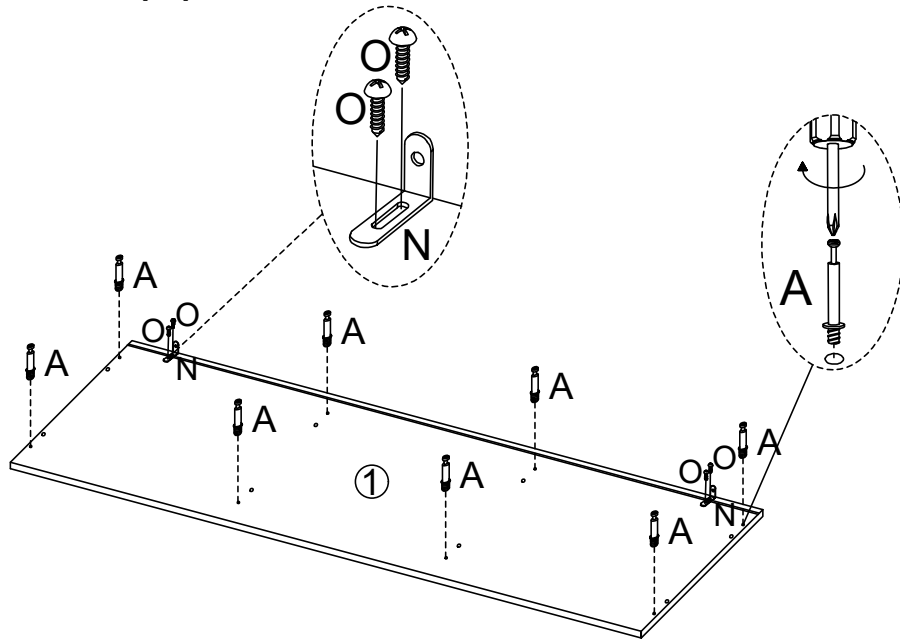
Please check you have all the fittings listed below with your product.

 <p>M6*35mm Bolt 32pcs+3pcs extra</p>	 <p>Ø15x9.5mm Cam Lock 32pcs+3pcs extra</p>	 <p>Ø8x30mm Dowel 16pcs+2pcs extra</p>	 <p>Ø4x35mm Screw 14pcs+1pc extra</p>	 <p>Ø7x40mm Screw 12pcs+1pc extra</p>	 <p>Handle 5pcs</p>	 <p>M4*18mm Bolt 5pcs</p>
 <p>Metal Plate 4pcs</p>	 <p>M6*14mm Bolt 28pcs+3pcs extra</p>	 <p>Spring Washer 28pcs+3pcs extra</p>	 <p>Lock Washer 28pcs+3pcs extra</p>	 <p>Plastic Buckle 24pcs+3pcs extra</p>	 <p>Ø3x16mm Screw 24pcs+3pcs extra</p>	 <p>Wall Bracket 2pcs</p>
 <p>Ø4x14mm Screw 4pcs</p>	 <p>Wall Plug 2pcs</p>	 <p>Cover 20pcs+2pcs extra</p>	 <p>4mm Allen Key 1pc</p>	 <p>Ø4x14mm Screw 24pcs+3pcs extra</p>	 <p>Hinge 4pcs</p>	 <p>Adjustable foot pads 2pcs</p>
 <p>Metal Plate 2pcs</p>	 <p>metal bracket 8pcs</p>	 <p>crash pad 4pcs</p>				

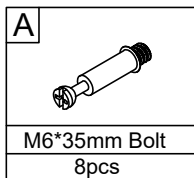
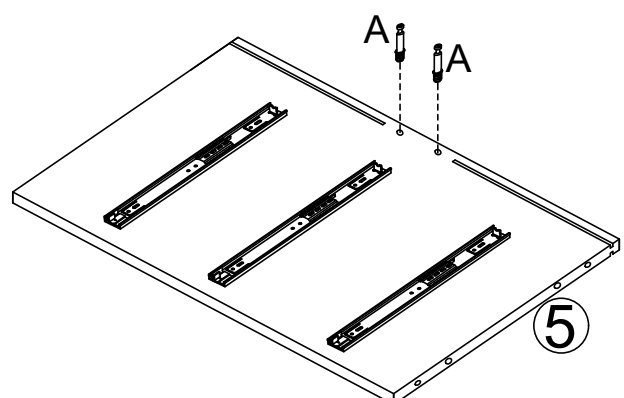
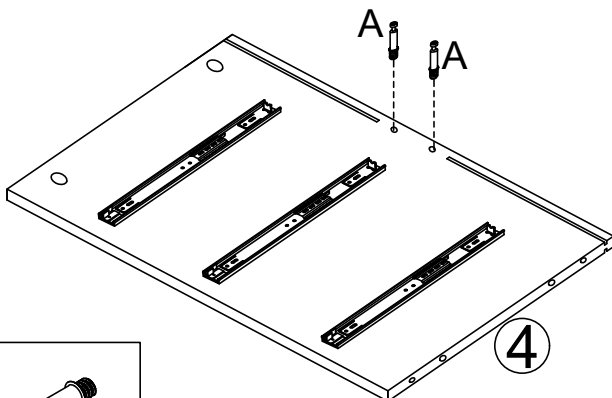
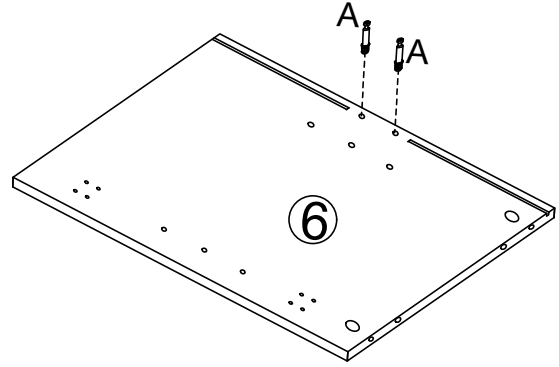
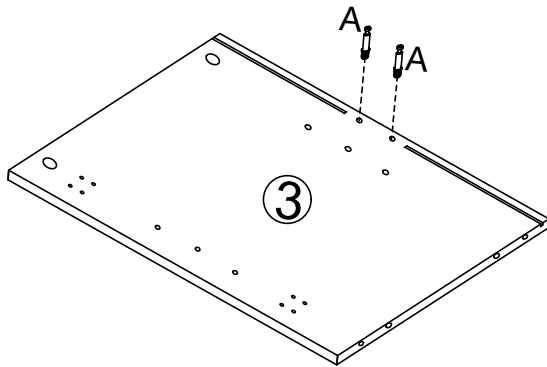
Parts list



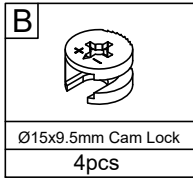
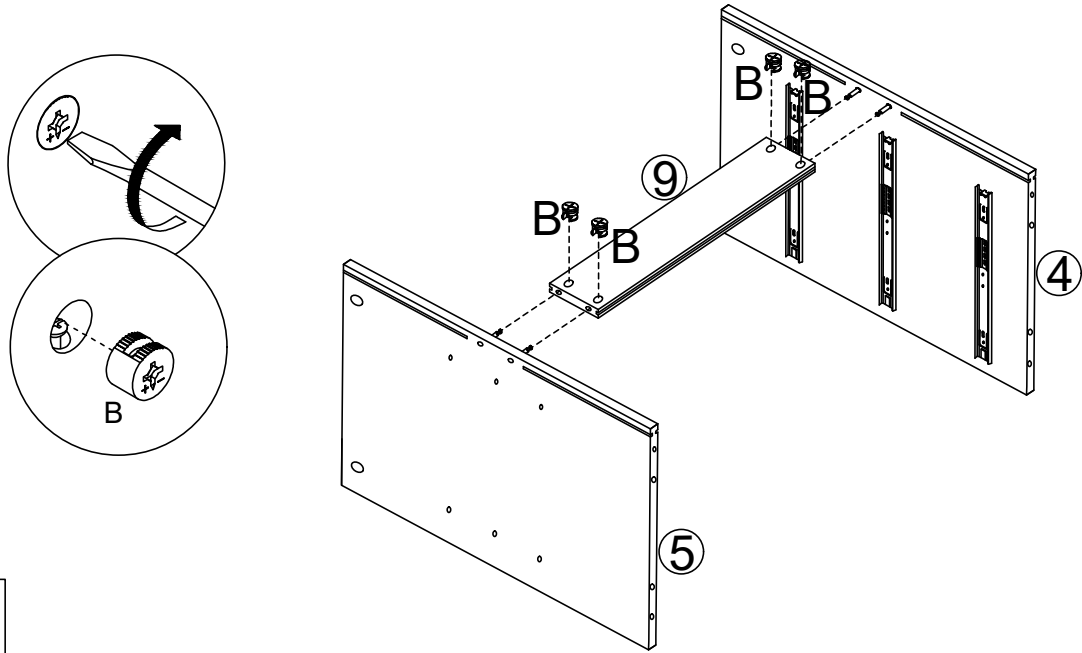
1. Attach parts to the top panel.



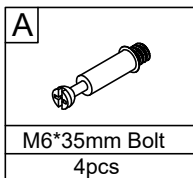
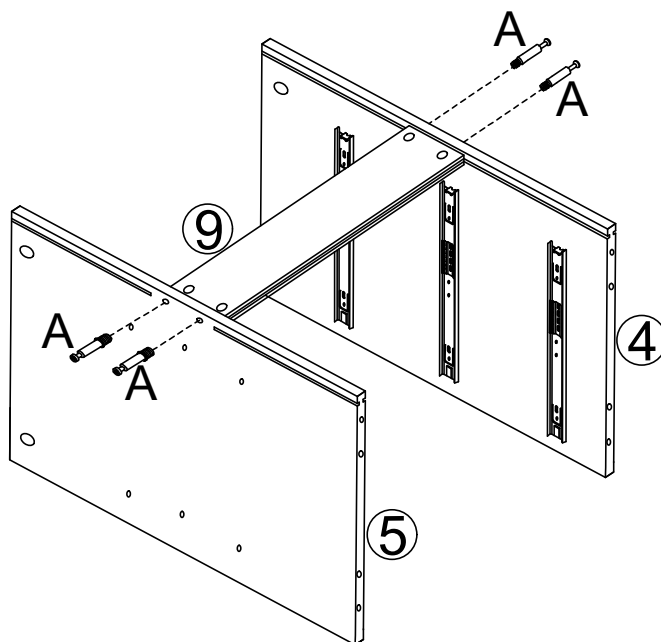
2. Attach parts to the side panel and middle panel.



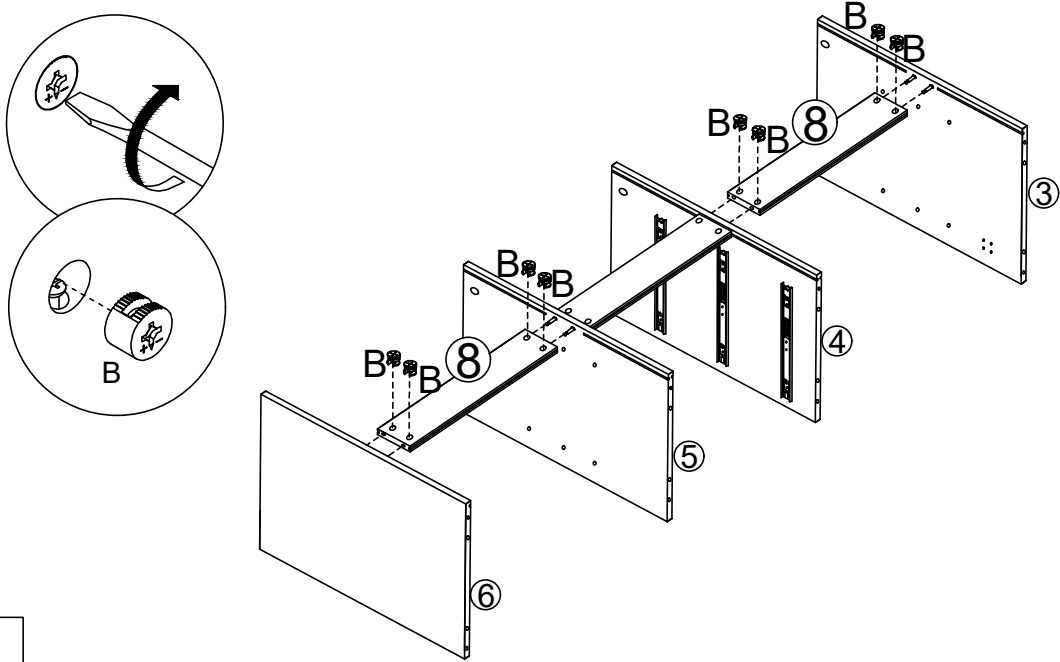
3. Attach centre support to middle panel.




4. Attach parts to the middle panel.

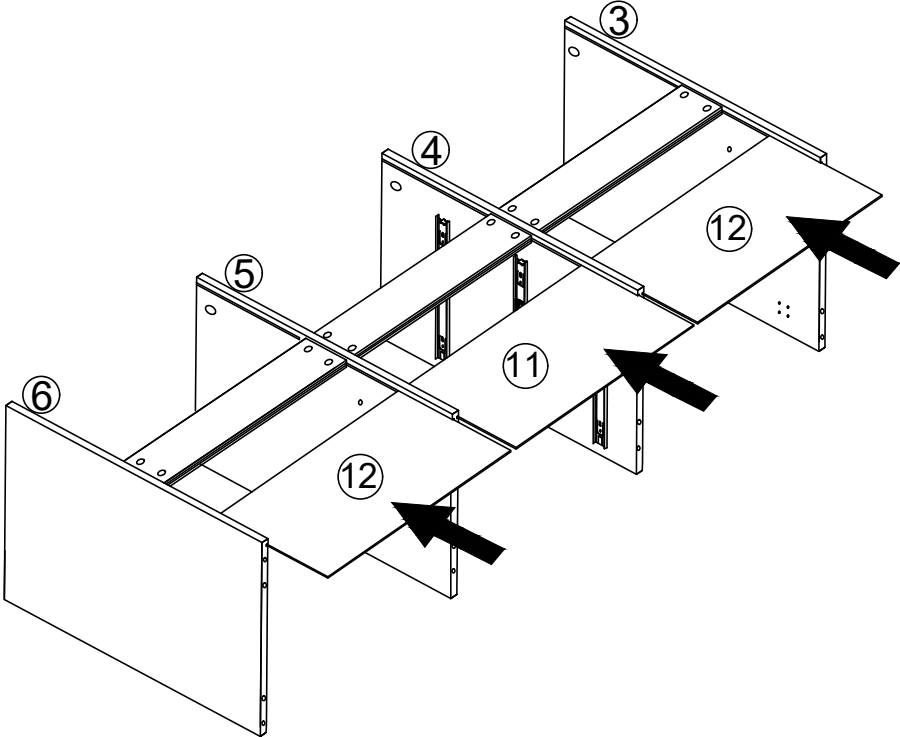


5. Attach centre support to middle panel and side panel.

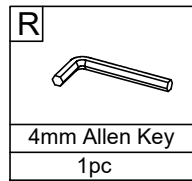
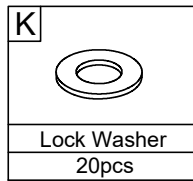
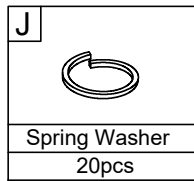
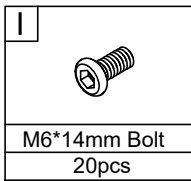
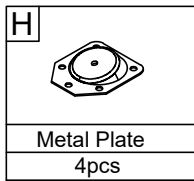
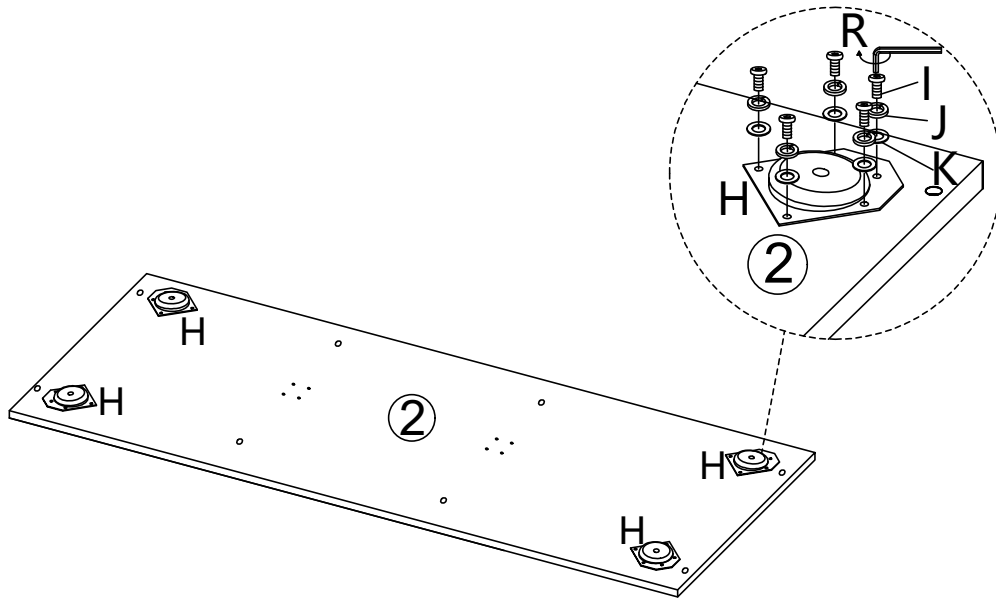


B	
Ø15x9.5mm Cam Lock	
8pcs	

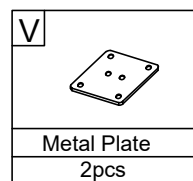
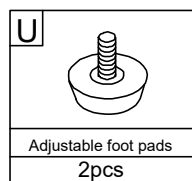
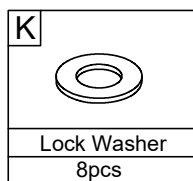
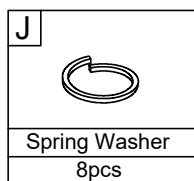
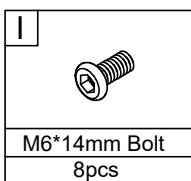
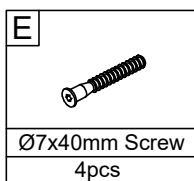
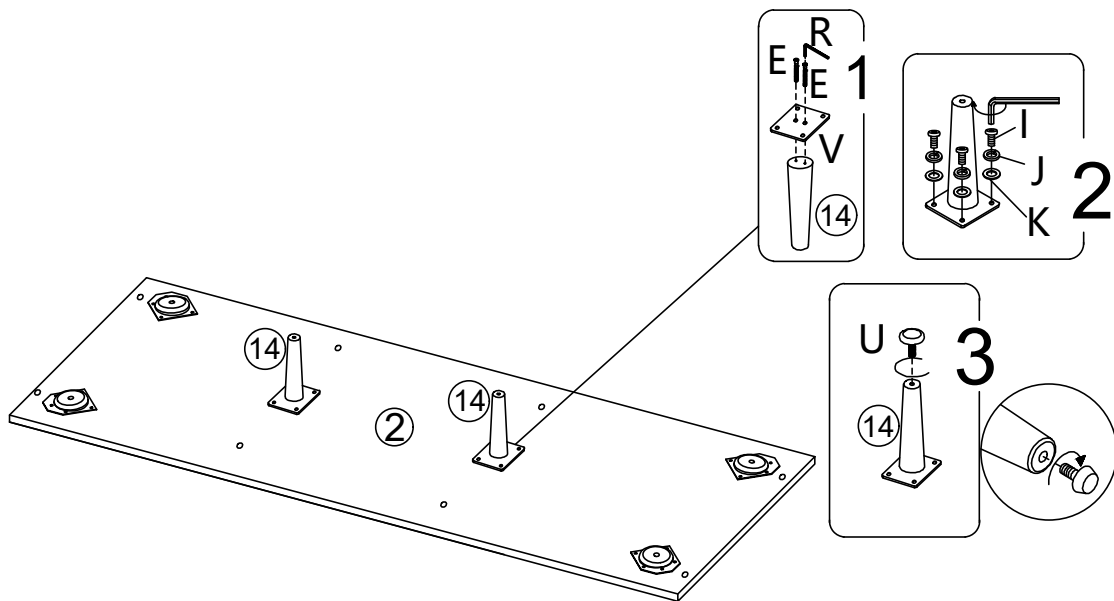
6. Assemble the back panel.



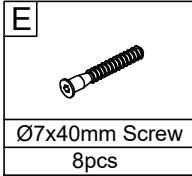
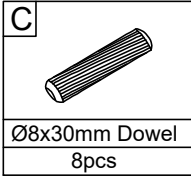
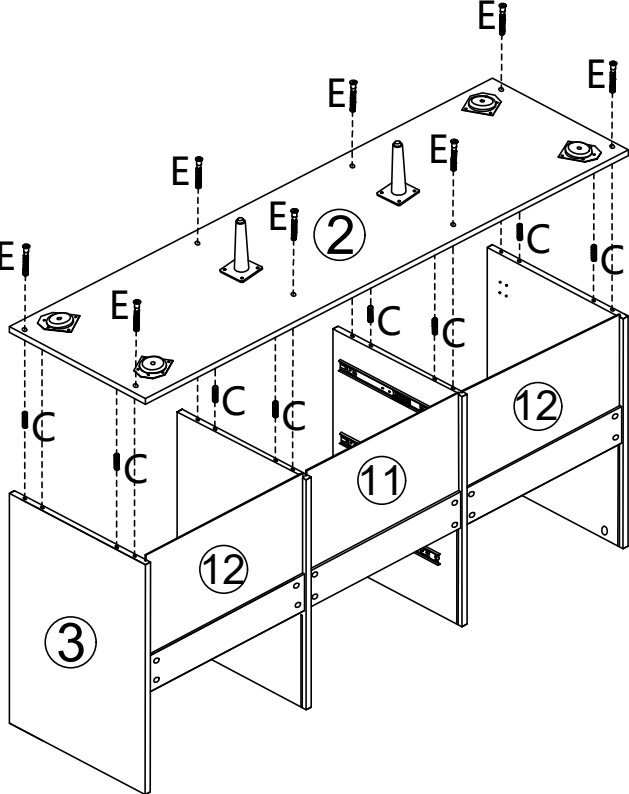
7. Attach the metal plate to the bottom panel.



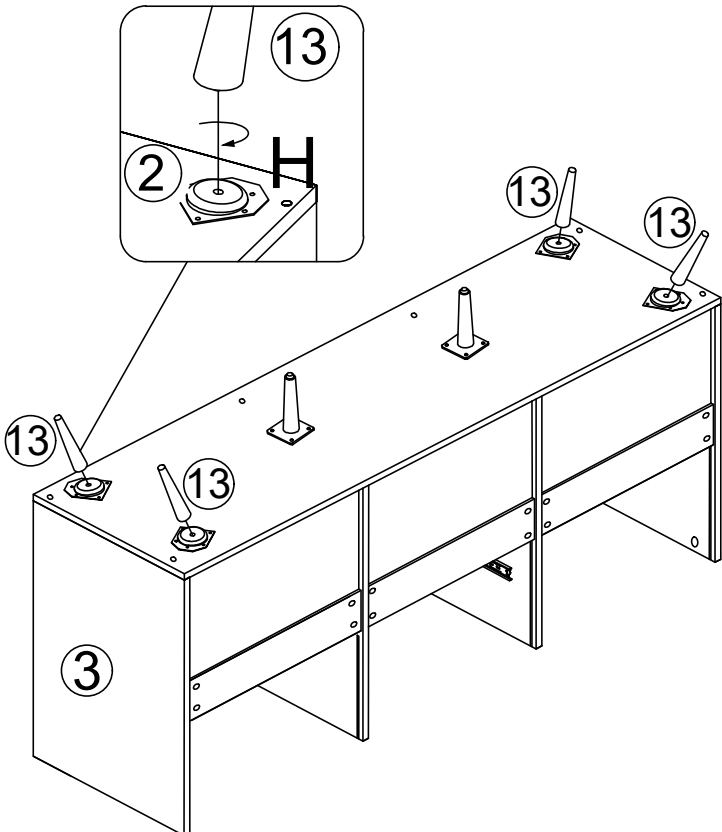
8. Attach middle legs to the bottom panel.



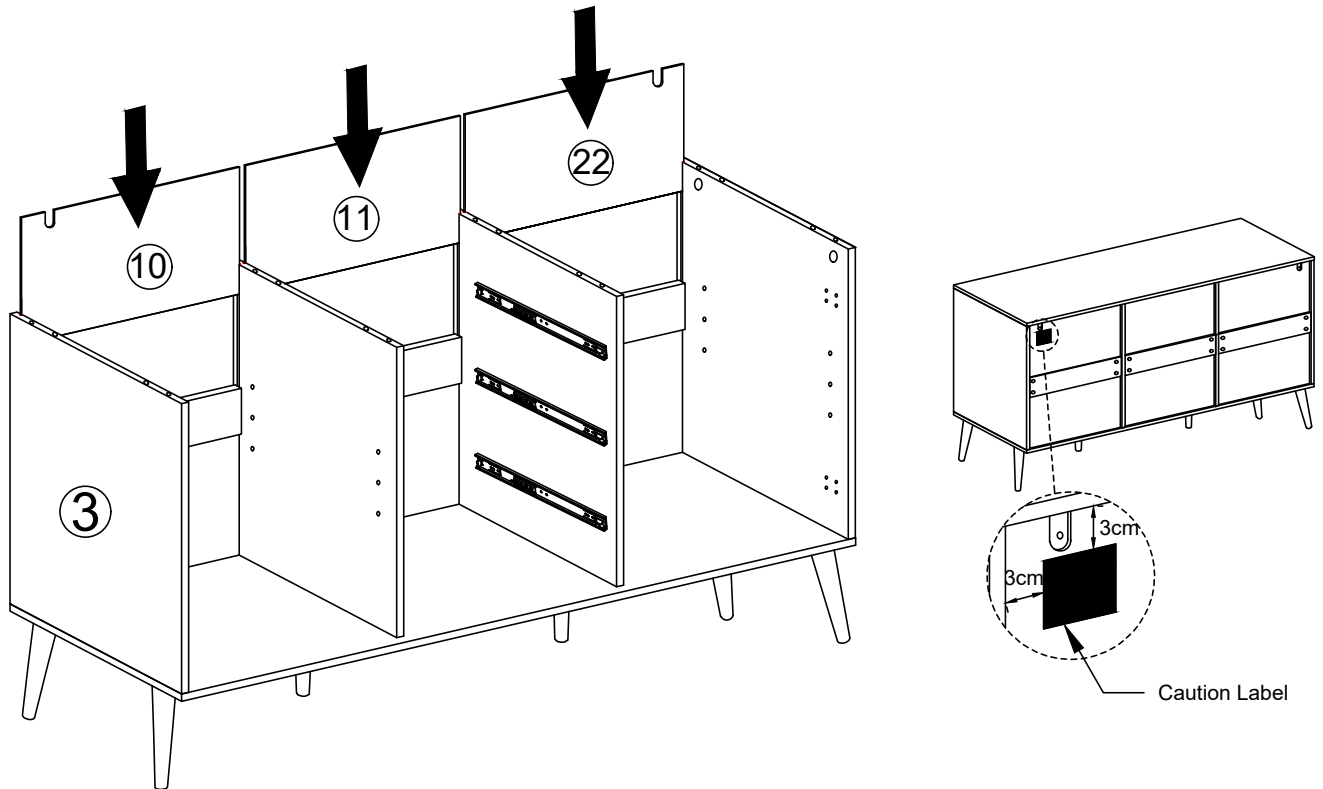
9. Attach bottom panel to the frame.



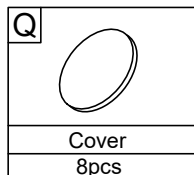
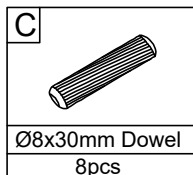
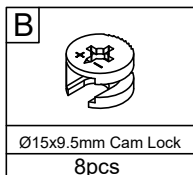
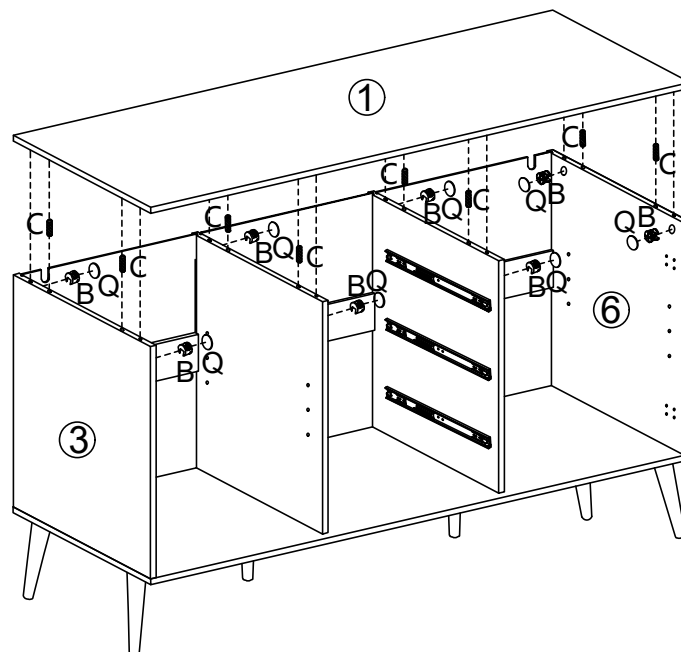
10. Attach legs to the frame.



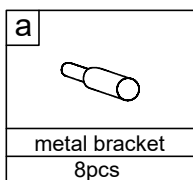
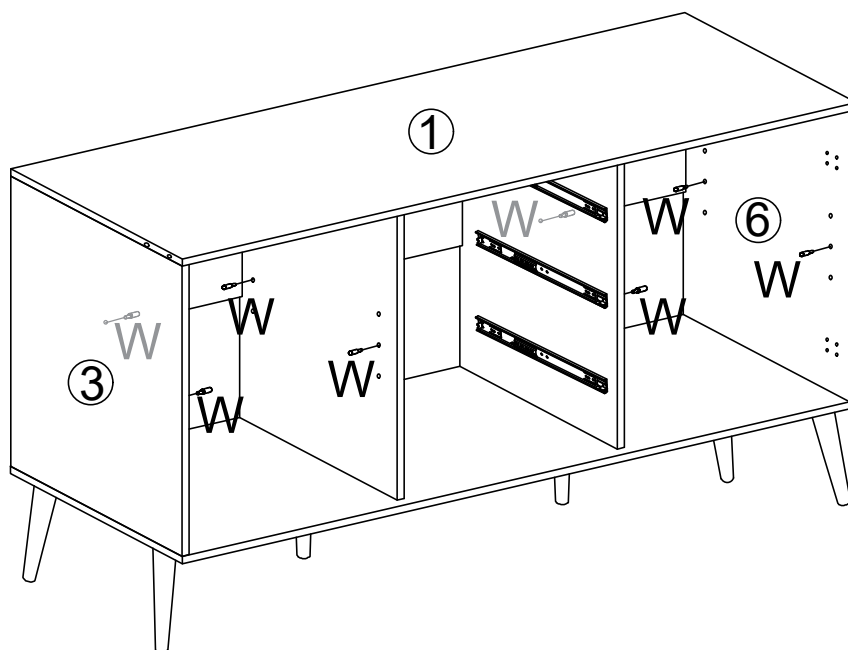
11. Assemble the back panel.



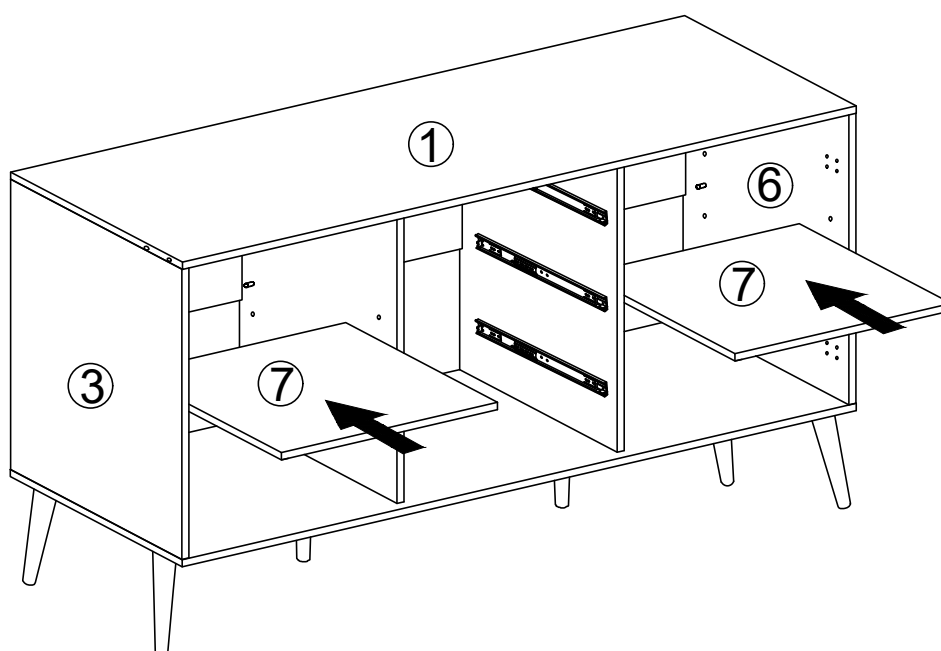
12. Attach top panel to the frame.



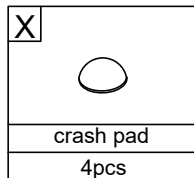
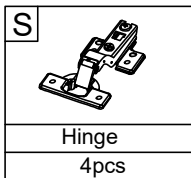
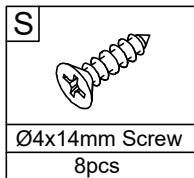
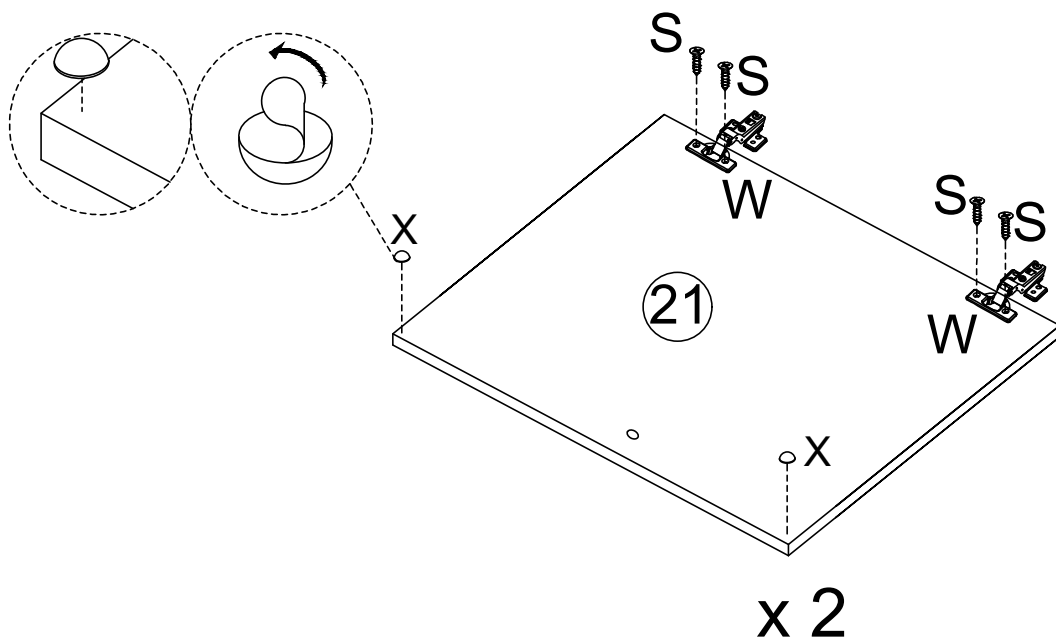
13. Attach parts to middle panel and side panel.



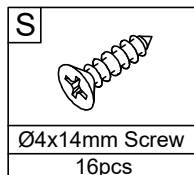
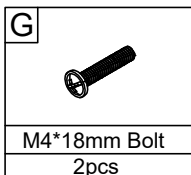
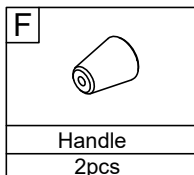
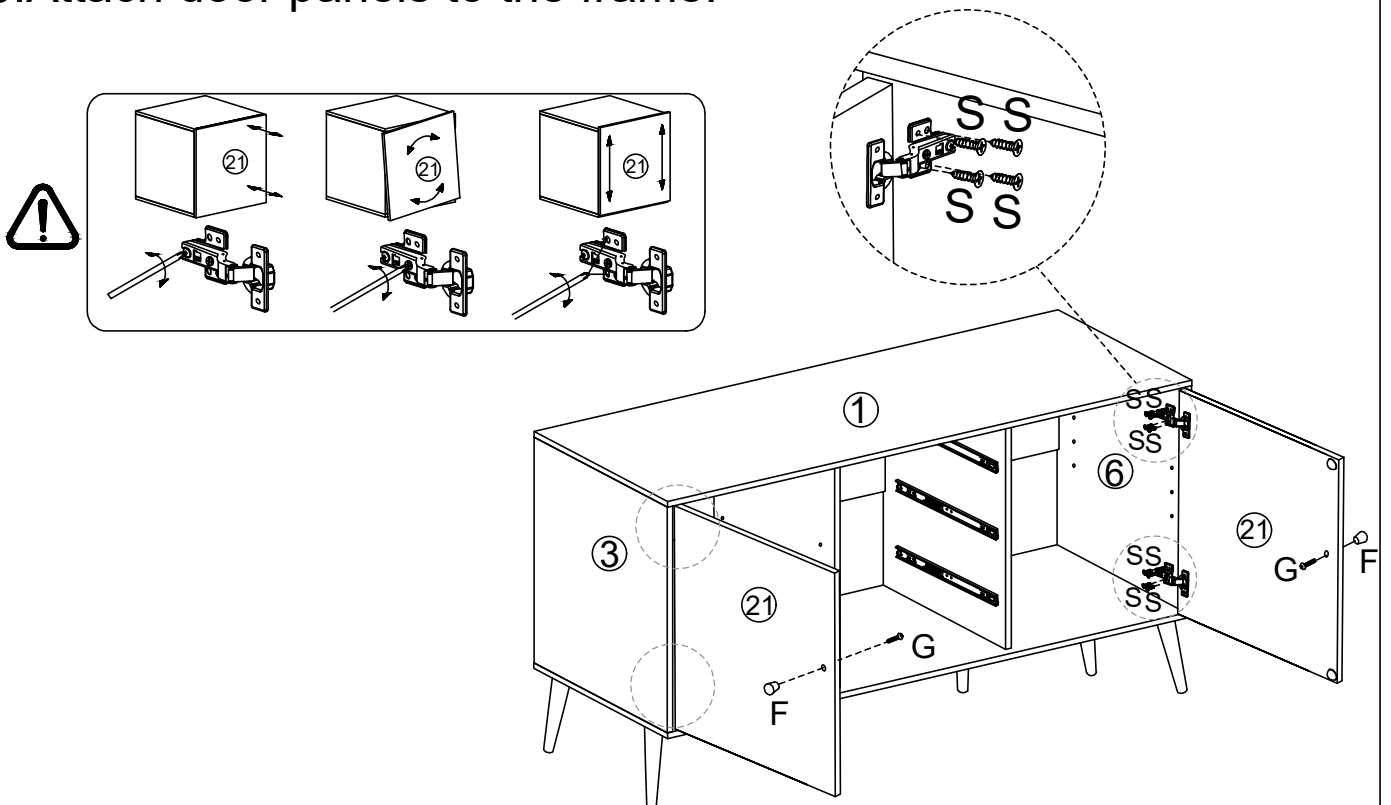
14. Assemble the shelf panel.



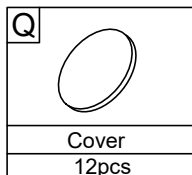
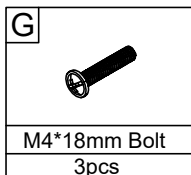
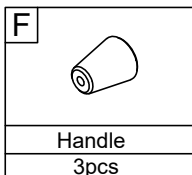
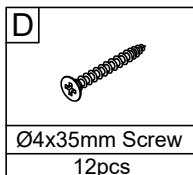
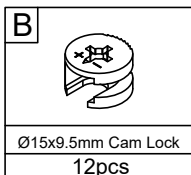
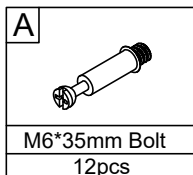
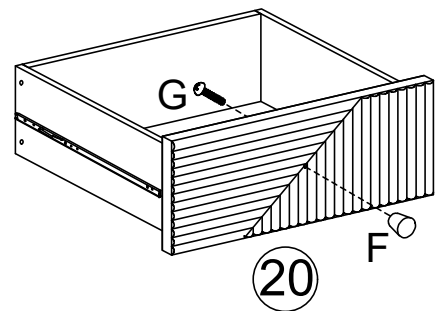
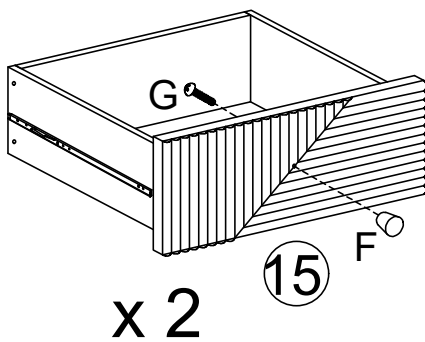
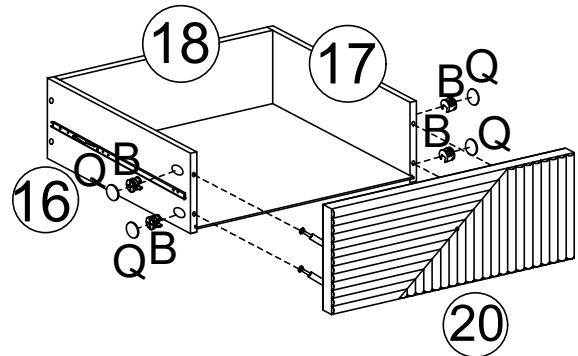
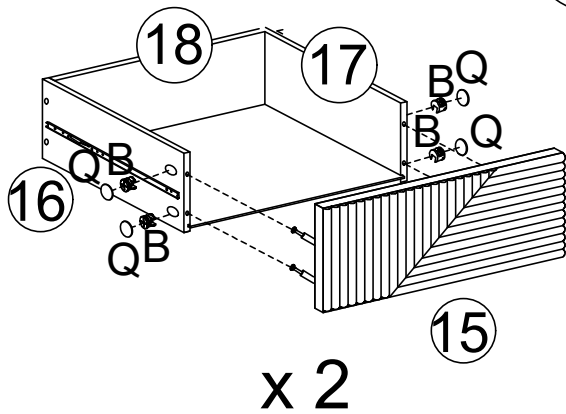
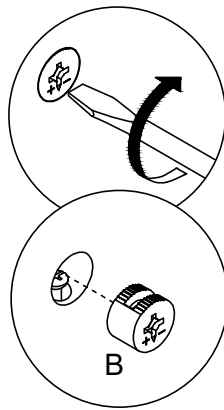
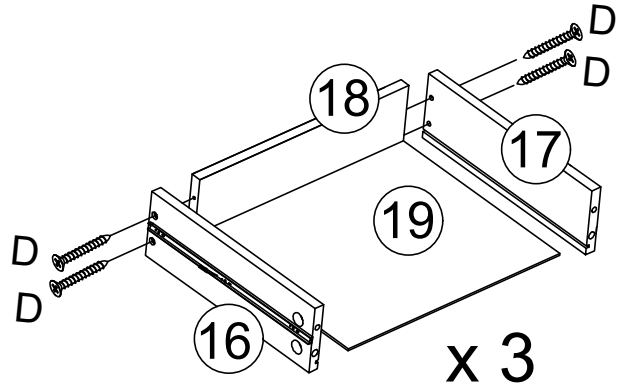
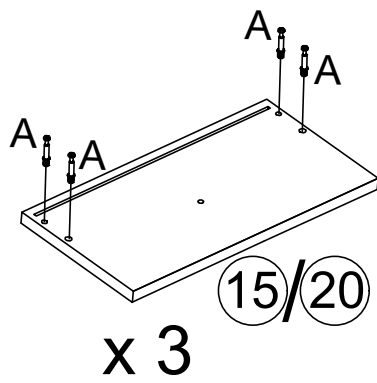
15. Attach hinges to the door.



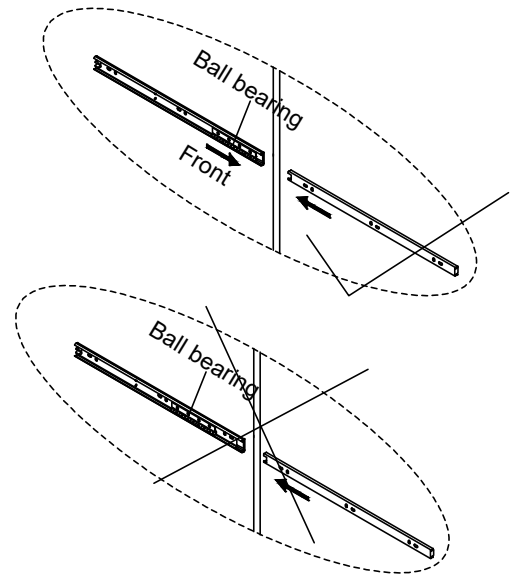
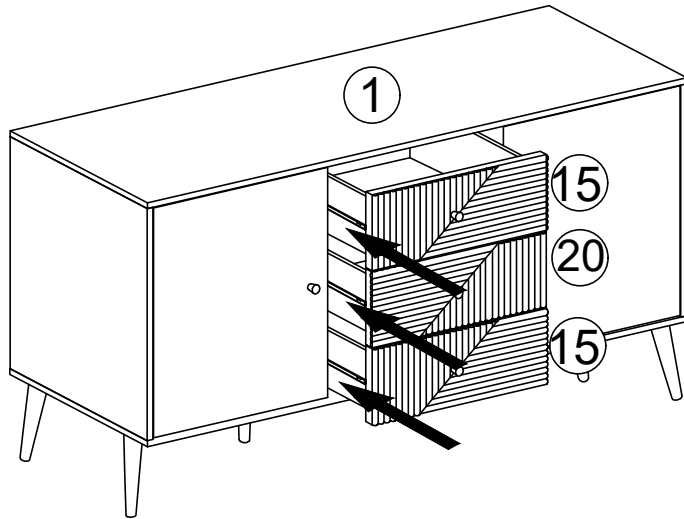
16. Attach door panels to the frame.



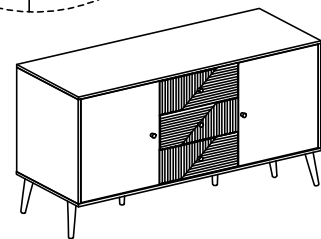
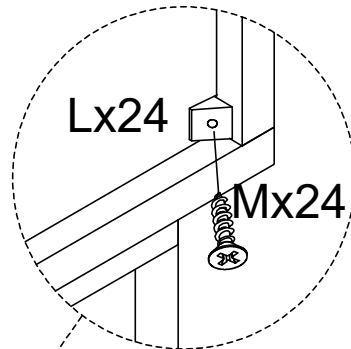
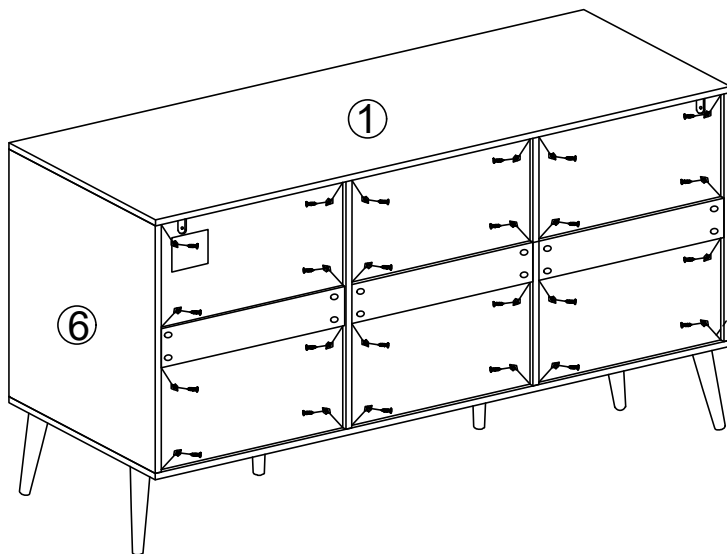
17. Assemble the drawer.



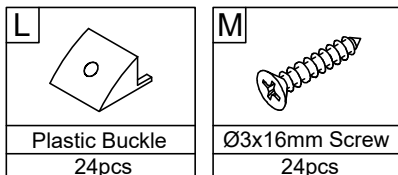
18. Assemble the drawer to the sideboard.



19. Attach plastic buckles.

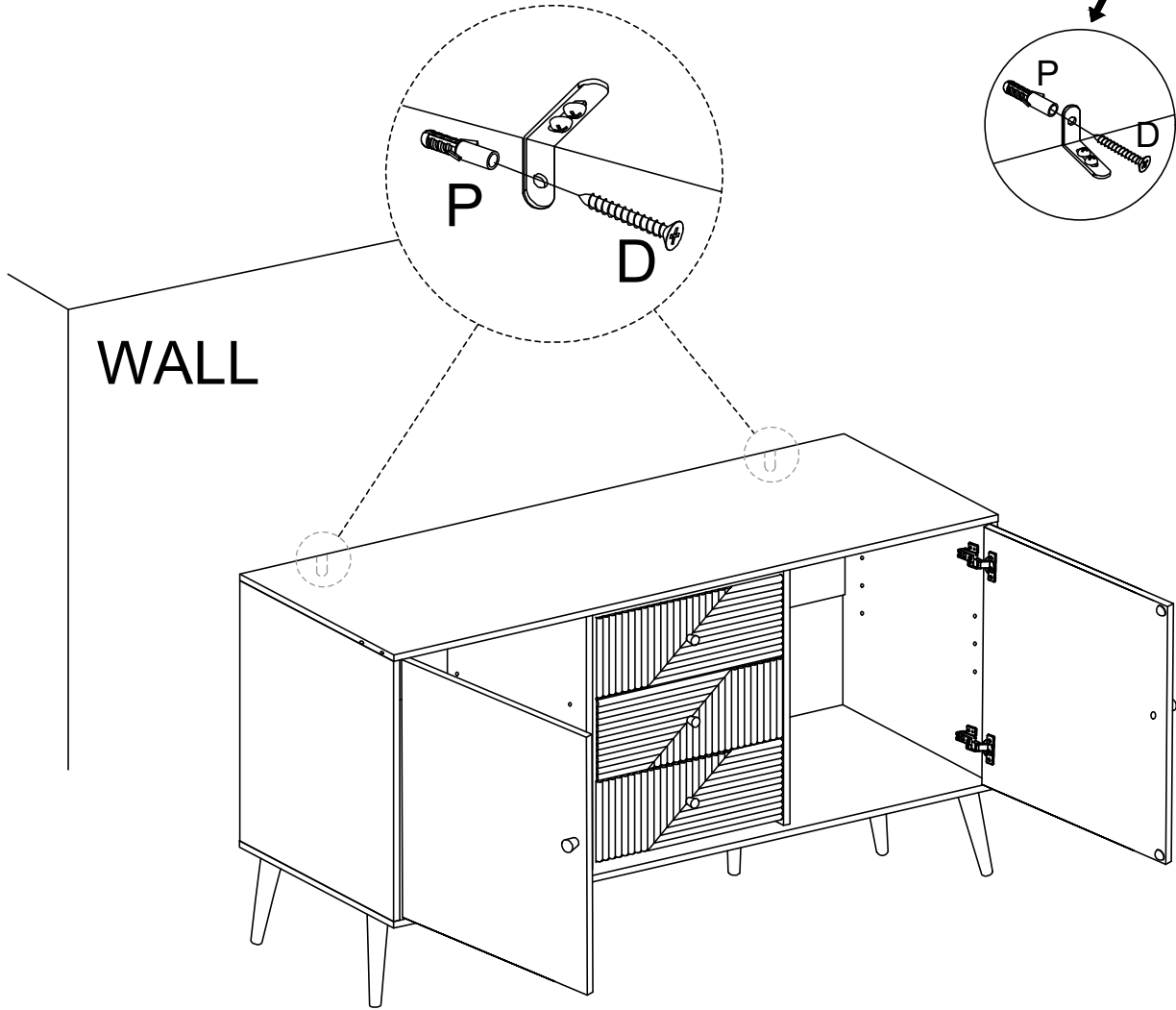
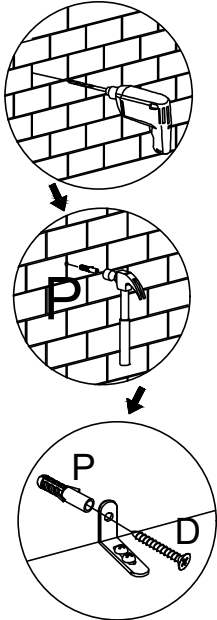


Manually adjust the frame slightly to ensure the drawers are in the correct position, even and parallel before attaching the plastic buckles.





20. Fix the wall bracket to the wall.

Pre-drilled hole at wall



WALL

D	
Ø4x35mm Screw	
2pcs	

P	
Wall Plug	
2pcs	