




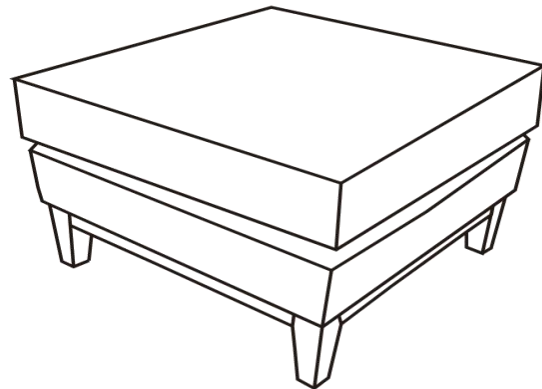
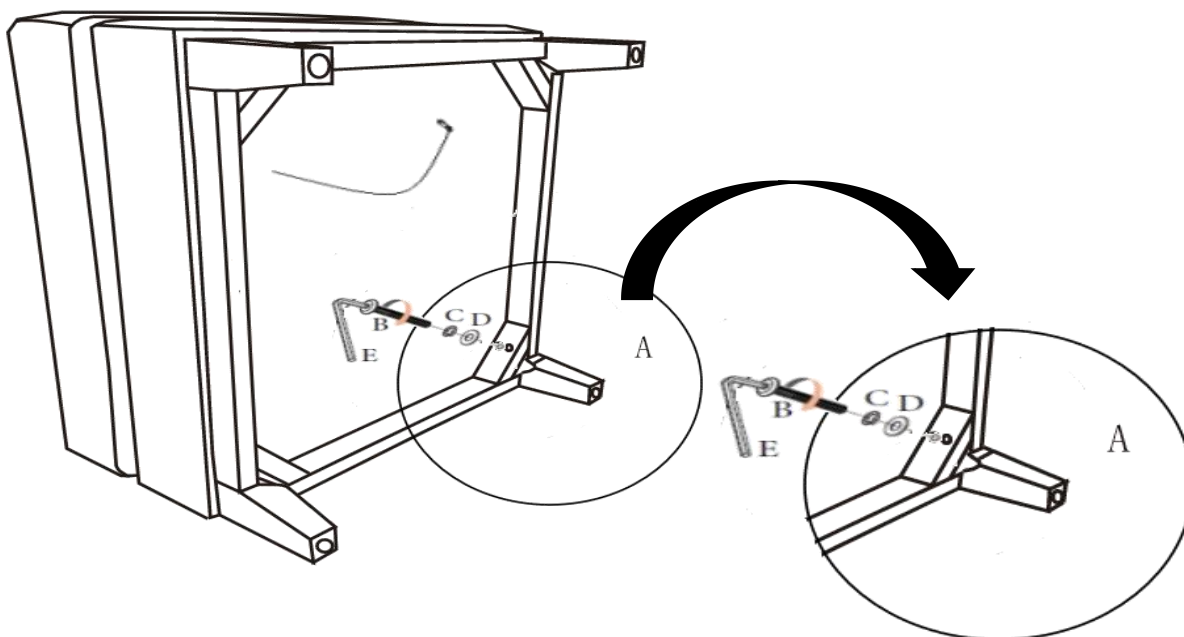


<b>A 16cm Leg</b>		<b>4</b>
<b>B M8*6.5cm Bolt</b>		<b>8</b>
<b>C M8 Spring Washer</b>		<b>8</b>
<b>D M8 Flat Washer</b>		<b>8</b>
<b>E M8 Allen Key</b>		<b>1</b>



**Step 1:** Remove all parts from the zipper on the underside of the pouffe.

**Step 2 :**Align a leg (A) in the each corner on the underside of the pouffe. Make sure the bolt holes on both parts align. Fit a spring washer (C) to a bolt (B) followed by a flat washer (D). Insert the bolt into the hole and tighten it with the allen key (E). Repeat this for all four legs.



# **Care and Maintenance**

1. Clean with your vacuum curtain attachment (the one with a lint-catching fabric strip) or a lint roller to stop dust build up. Do this regularly to keep the pouffe in its best condition.
2. Try to keep your pouffe away from direct sunlight, and not too close to heat sources, as this can cause fading over time. Do not allow the pouffe to make direct contact with any radiators or sources of heat.
3. Wipe up the spillages as quickly as possible by gently dabbing or blotting with a dry cloth until the mark fades away. Some tougher spills, such as oil and grease, can be more persistent and leave a stain. In this case, it's best to contact a specialist cleaning service.
4. Do not drag the pouffe. When moving, lift the pouffe off the floor.
5. Keep children and pets away from the assembly area and any packaging, small parts could choke if swallowed.
6. Do not leave children unattended with the pouffe open.
7. Keep hands away from the mechanism when opening or closing as this could cause entrapment.
8. Do not jump on the pouffe.
9. Only use the pouffe on a flat and level surface.
10. Dispose of all packaging carefully and responsibly – recycle where possible.
11. This product is intended for domestic use only, not for commercial purposes.
12. Avoid sharp items such as toys, jean rivets, buckles etc from coming in contact with the fabric as these can easily snag, tear or pull the fabric.
13. Do not place hot beverages on the pouffe as this could risk a spill.

## **Important**

### **Assembly Tip**

Before you begin, it's best to identify all of the parts and fittings to build your pouffe. We advise laying these out on the floor to check you have everything, and to familiarise yourself with all of the parts and fittings before building.

### **Top Tip**

We recommend that you assemble the pouffe in the room you'd like it to be located. This will help prevent any risk of damage whilst moving.

### **Safety and Care**

It's important to ensure children and animals are kept away from the assembly area, as there are small components used in this product which could present a choking hazard. All plastic and wrapping materials should also be kept away from children and animals to prevent any risk of suffocation.

### **Help and Support**

Please contact our customer service team on 0113 519 0311 if you have any questions or issues with your purchase.

### **Recycling**

Please ensure that packaging is disposed of in a safe and environmentally friendly way, and recycle where possible. Please keep your assembly instructions safe to refer back to in the future.