

DUSK.COM

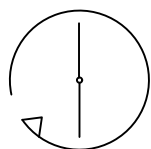
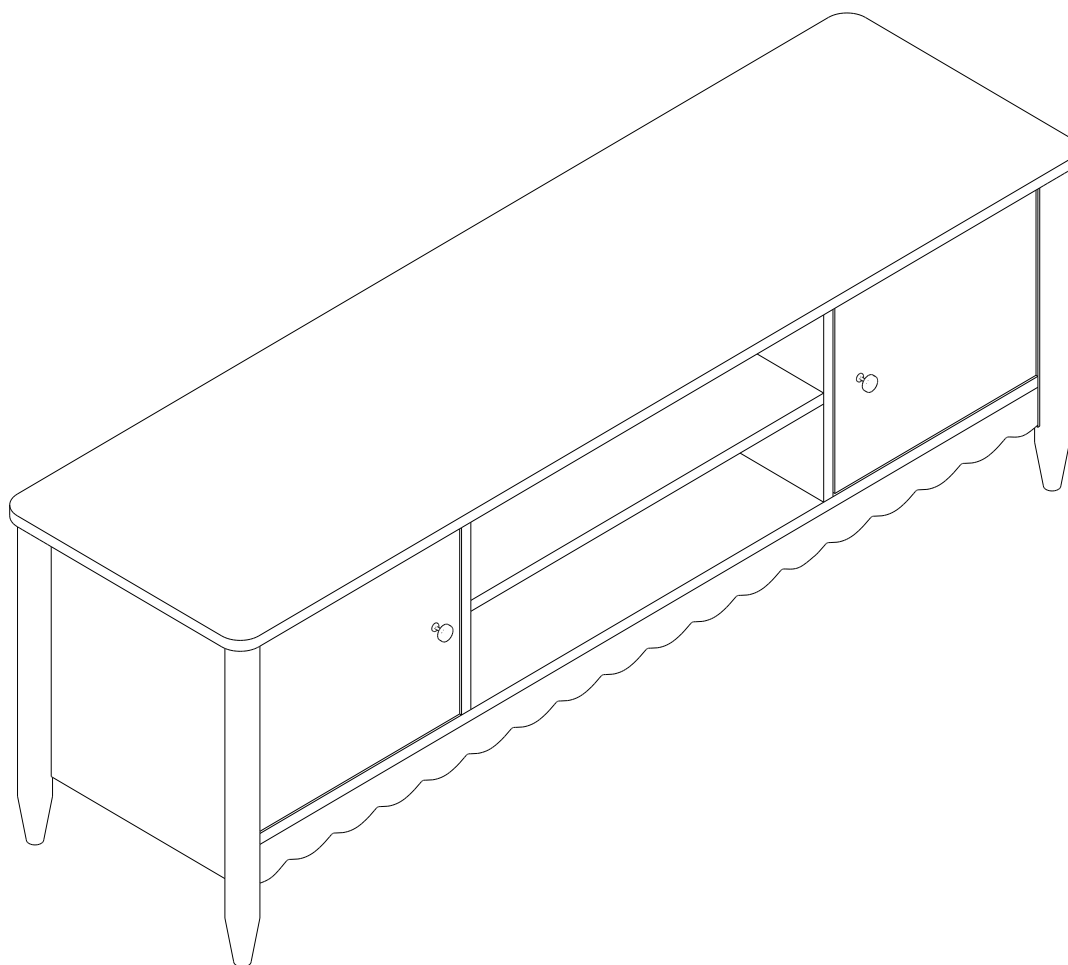
LIVING | BEDROOM | DINING

Range Name : Betty

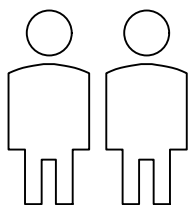
Box1 dimensions : W151xD48xH15cm

Product dimensions:W137xD39xH48cm

Betty Tv Unit - Painting



Up to 120 minutes
assembly time



Two person
assembly



This product is intended for domestic use only, not for commercial purposes.

IMPORTANT

ASSEMBLY TIP

Before you begin, it's best to identify all of the parts and fittings to build your Betty Tv Unit frame. We advise laying these out on the floor to check you have everything, and to familiarise yourself with all of the parts and fittings before building.

TOP TIP

We recommend that you assemble the Betty Tv Unit in the room you'd like it to be located. This will help prevent any risk of damage to the frame whilst moving it.

SAFETY AND CARE

It's important to ensure children and animals are kept away from the assembly area, as there are small components used in this product which could present a choking hazard. All plastic and wrapping materials should also be kept away from children and animals to prevent any risk of suffocation.

HELP AND SUPPORT

Please contact our customer service team on 0113 519 0311 if you have any questions or issues with your purchase.

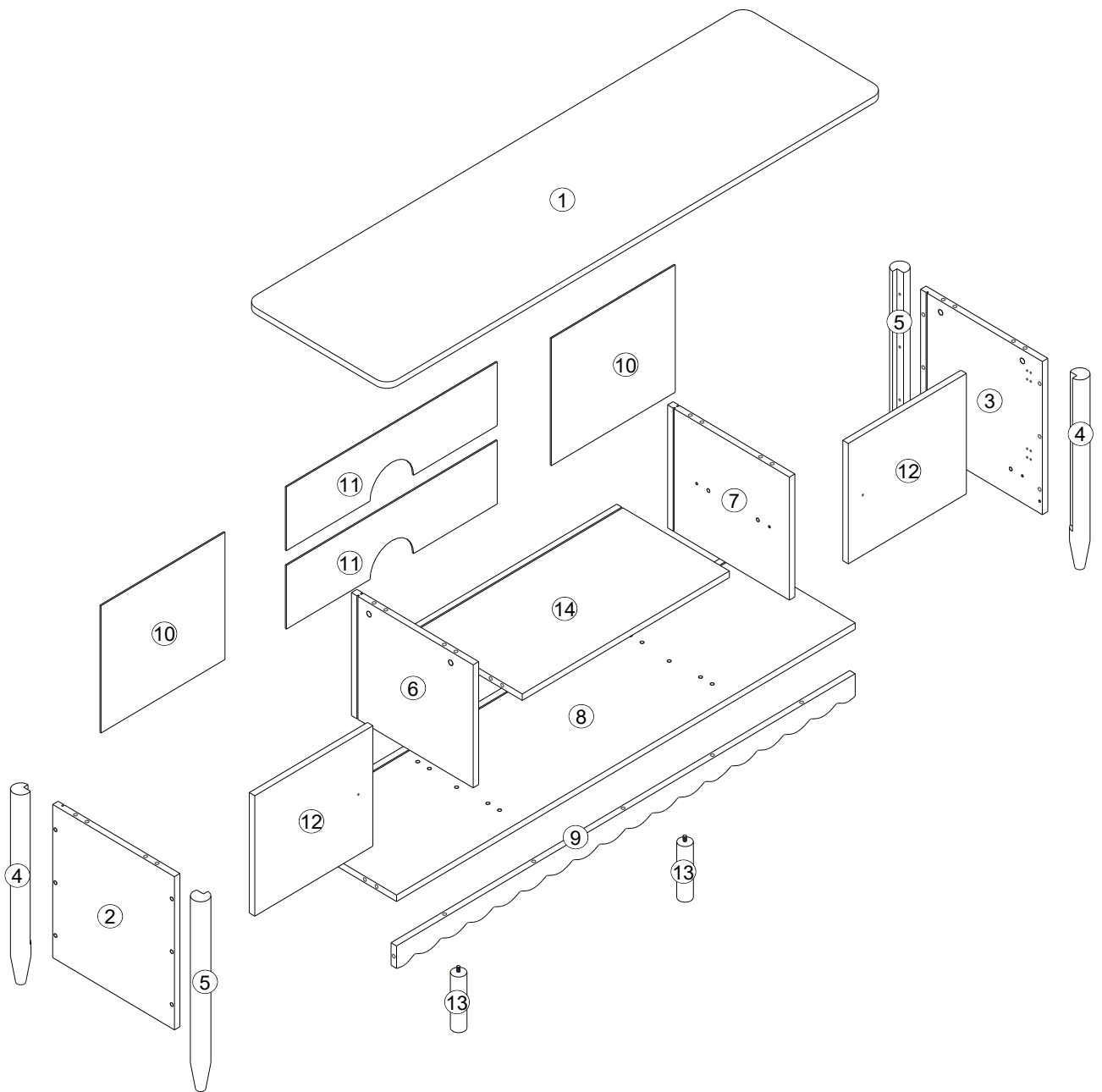
RECYCLING

Please ensure that packaging is disposed of in a safe and environmentally friendly way, and recycle where possible. Please keep your assembly instructions safe to refer back to in the future.

CARE AND MAINTENANCE:

1. Only clean using a damp cloth, do not use bleach or abrasive cleaners as they may damage the finish over time.
2. Do not use a very wet cloth or allow any liquid to contact with the veneer for a long period of time. Wipe any spillage immediately. Absorption can cause wood to warp or finishes to de-laminate.
3. Do not scrub or rub the surface when cleaning.
4. Do not drag the Betty Tv Unit when moving, lift it off the floor instead.
5. Use a placemat or a coaster when putting hot items (e.g. hot drinks and dishes) on the wood surface.
6. It is not recommended to place the item next to sources of heat such as radiators, fires or directly exposed to sunlight. This may cause the wood to crack, split or fade due to the heat and humidity.
7. Wood will mellow and change colour over time, we recommend that ornaments and items placed on the surface to be moved regularly to prevent uneven mellowing.
8. Regularly check all fixings to ensure none have come loose. Re-tighten if necessary.
9. Avoid sharp items such as a screwdriver or any pointy tools.
10. Dispose of all packaging carefully and responsibly - recycle where possible.

Parts list



Parts list

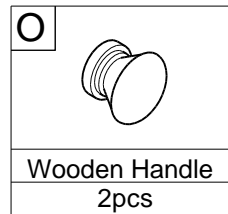
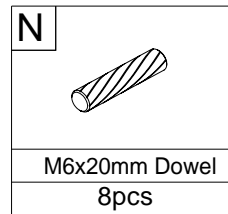
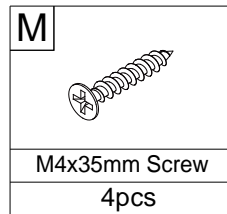
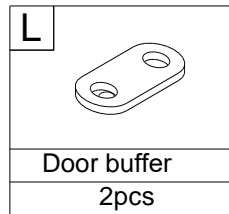
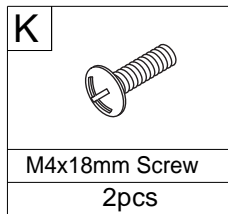
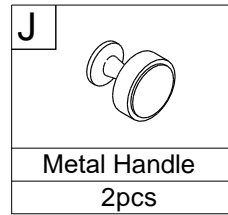
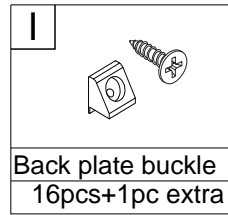
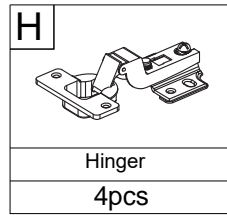
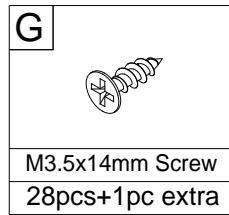
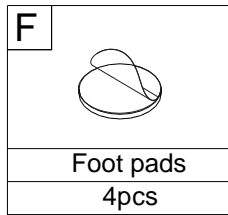
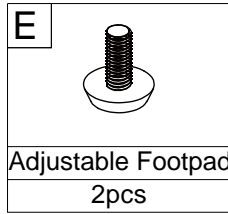
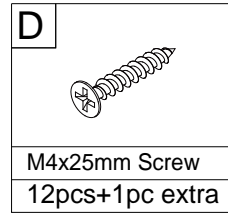
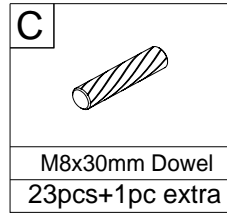
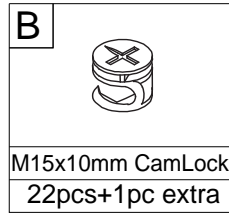
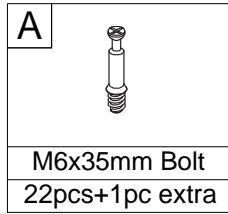
Before you begin building your Betty Tv Unit, please take a moment to read through the instructions and make sure that you have all the relevant parts listed on the parts check list.

Part Number	Part Description	Quantity	Box No
①	Top panel	1 pc	Box1
③	Right panel	1 pc	Box1
⑤	Left front/Right back leg	2 pc	Box1
⑦	Right middle panel	1 pc	Box1
⑨	Scallop support	1 pc	Box1
⑪	middle back panel	2 pc	Box1
⑬	middle leg	2 pcs	Box1

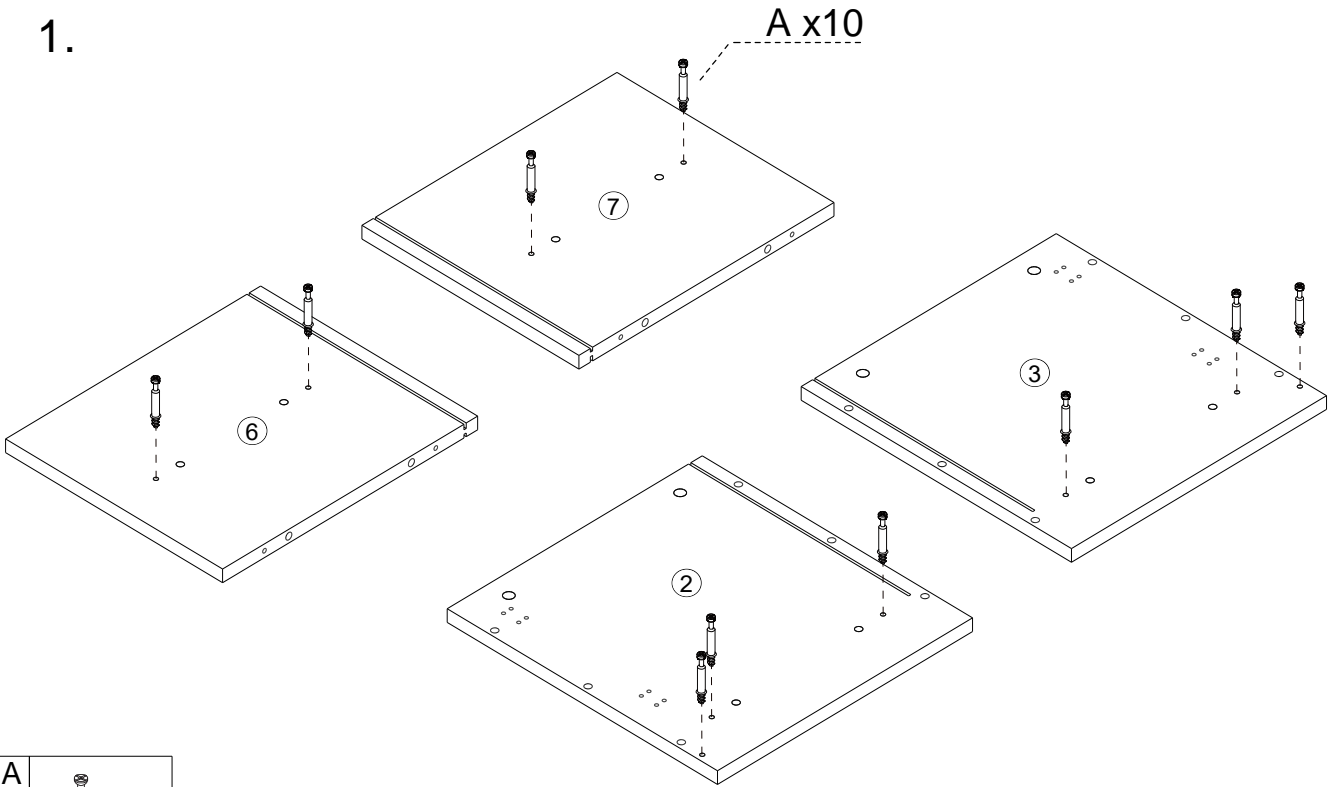
Part Number	Part Description	Quantity	Box No
②	Left panel	1 pc	Box1
④	Left back/Right front leg	2 pc	Box1
⑥	Left middle panel	1 pc	Box1
⑧	Bottom panel	1 pc	Box1
⑩	side back panel	2 pcs	Box1
⑫	Door panel	2 pcs	Box1
⑭	Fixed shelf	1 pcs	Box1


Fittings

Please check you have all the fittings listed below with your product in Box1.

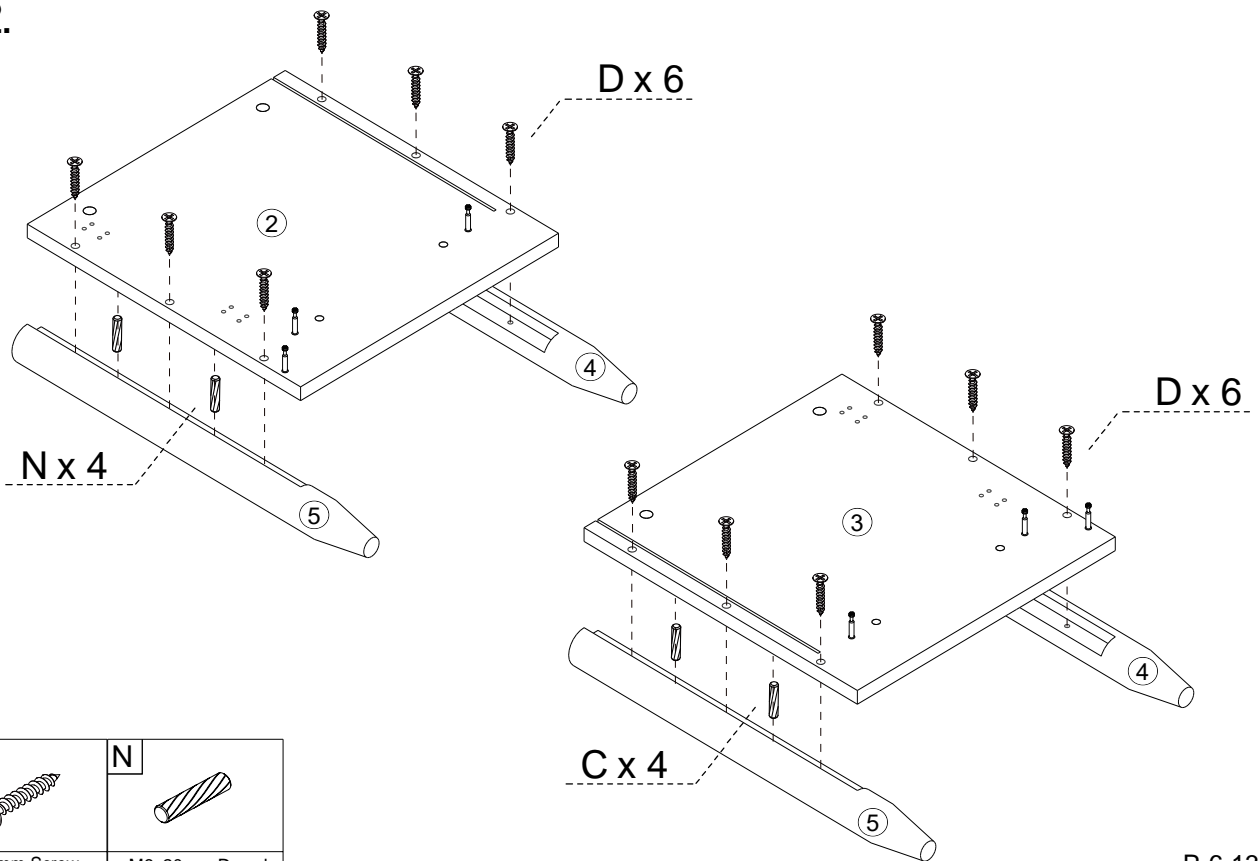


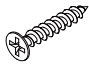

1.



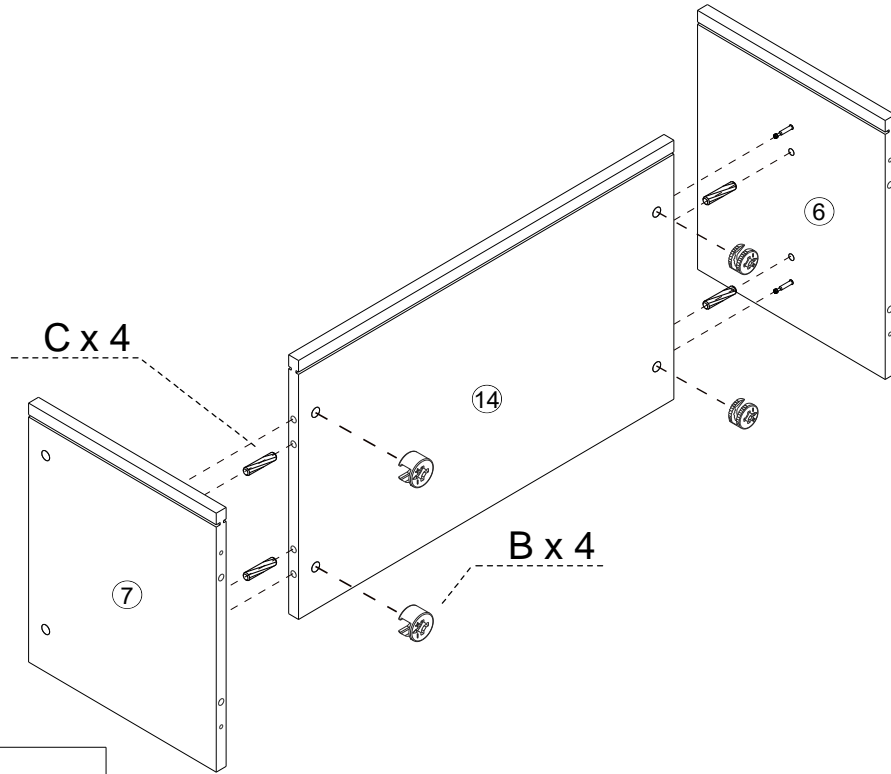
A	
M6x35mm Bolt	
10pcs	



2.



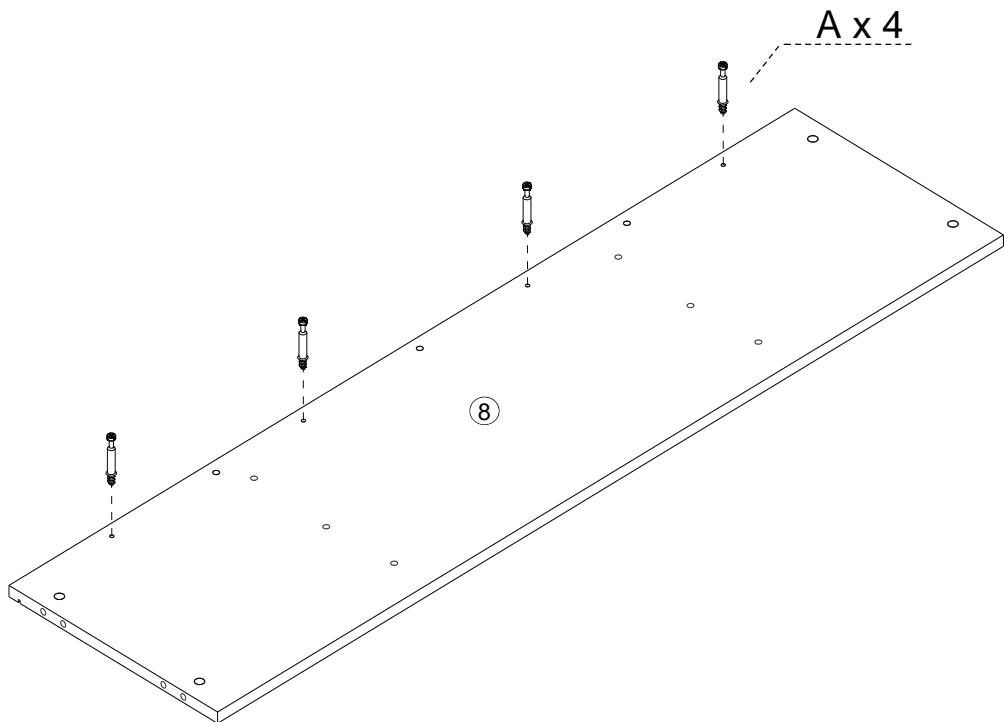
D		N	
M4x25mm Screw		M6x20mm Dowel	
12pcs		8pcs	


3.



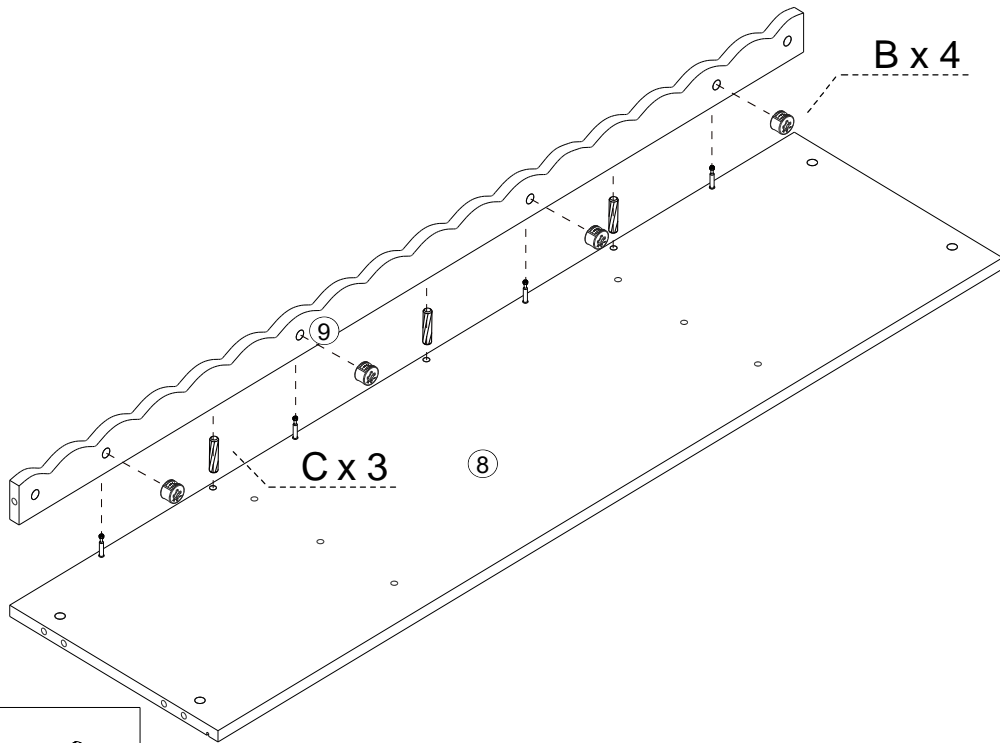
B		C	
M15x10mm CamLock		M8x30mm Dowel	
4pcs		4pcs	



4.



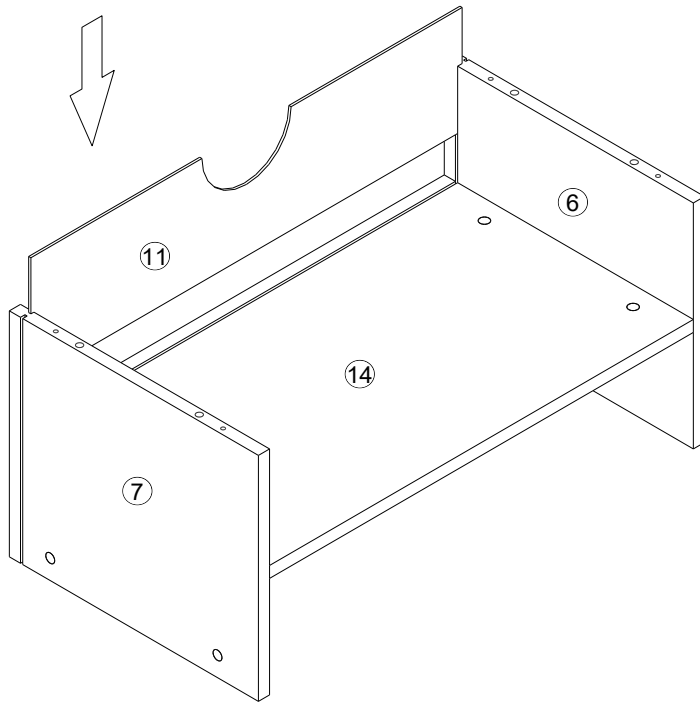
A	
M6x35mm Bolt	
4pcs	

5.

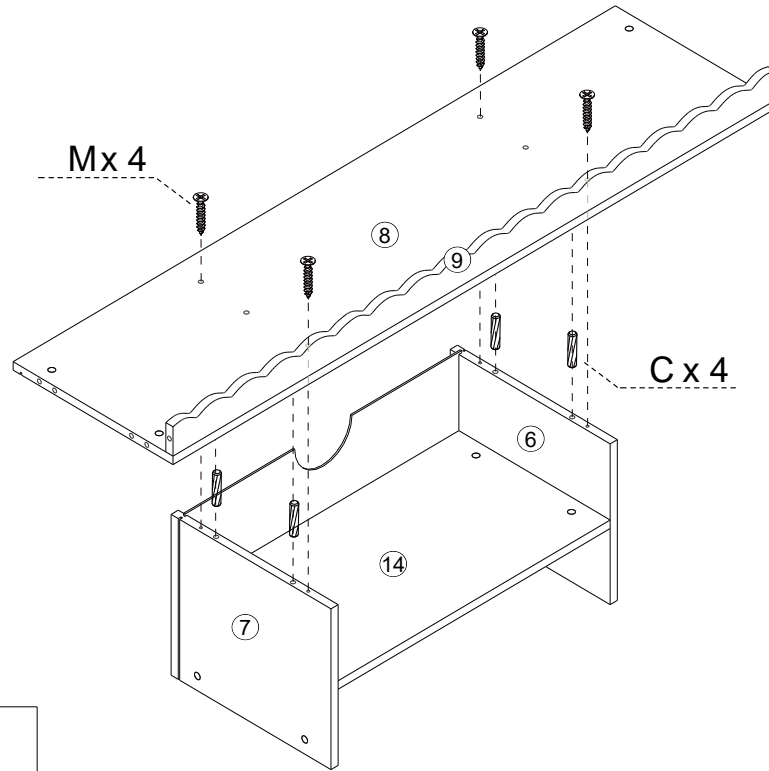




B 	C 
M15x10mm CamLock 4pcs	M8x30mm Dowel 3pcs

6.

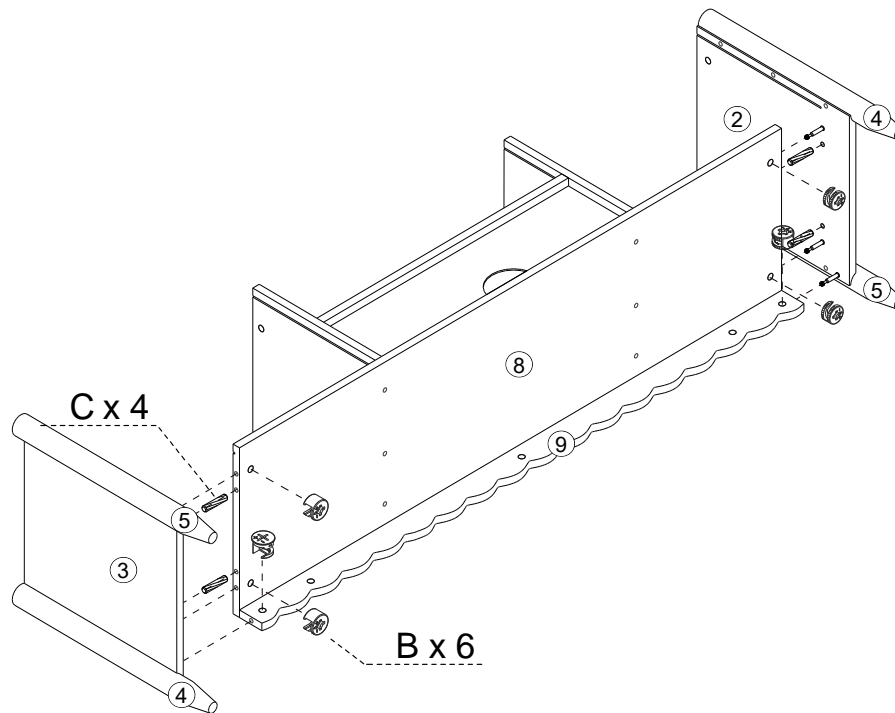




5.



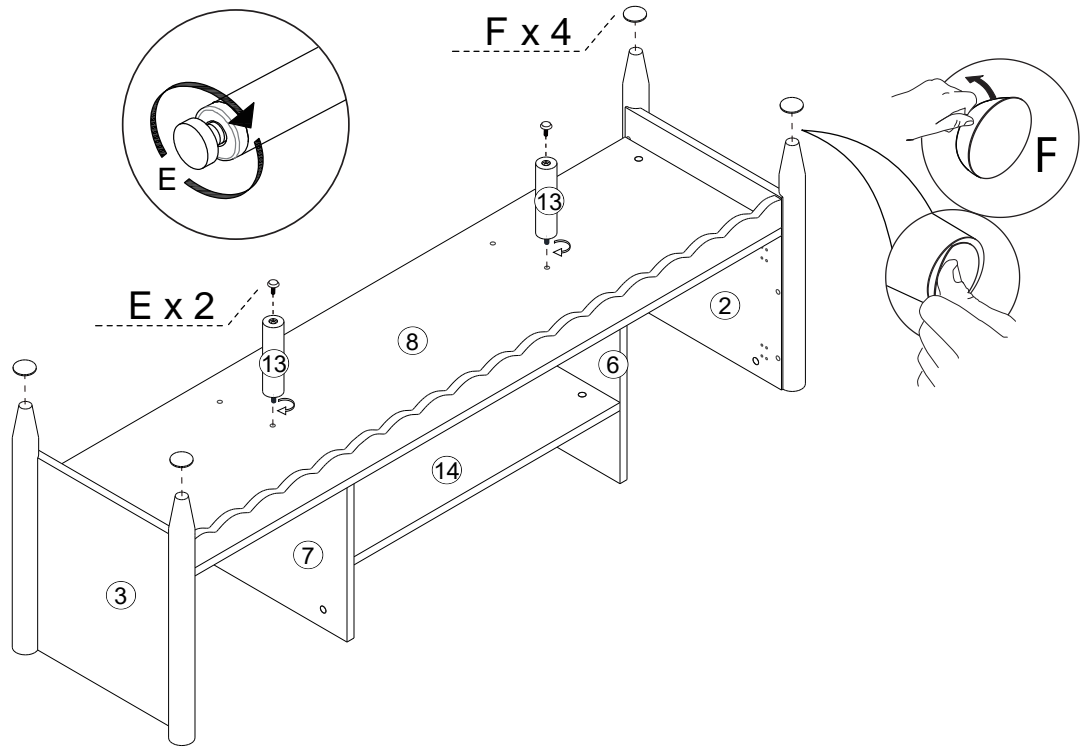
C		M	
	M8x30mm Dowel		M4x35mm Screw
	4pcs		4pcs

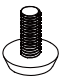

6.



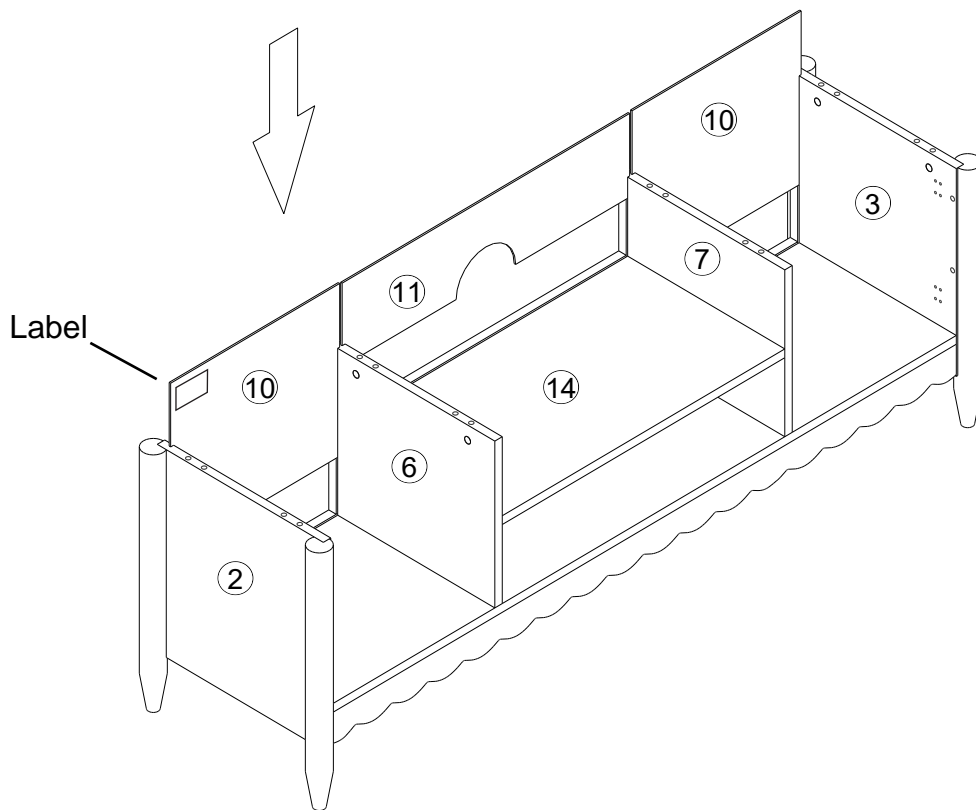
B		C	
	M15x10mm CamLock		M8x30mm Dowel
	6pcs		4pcs

8.

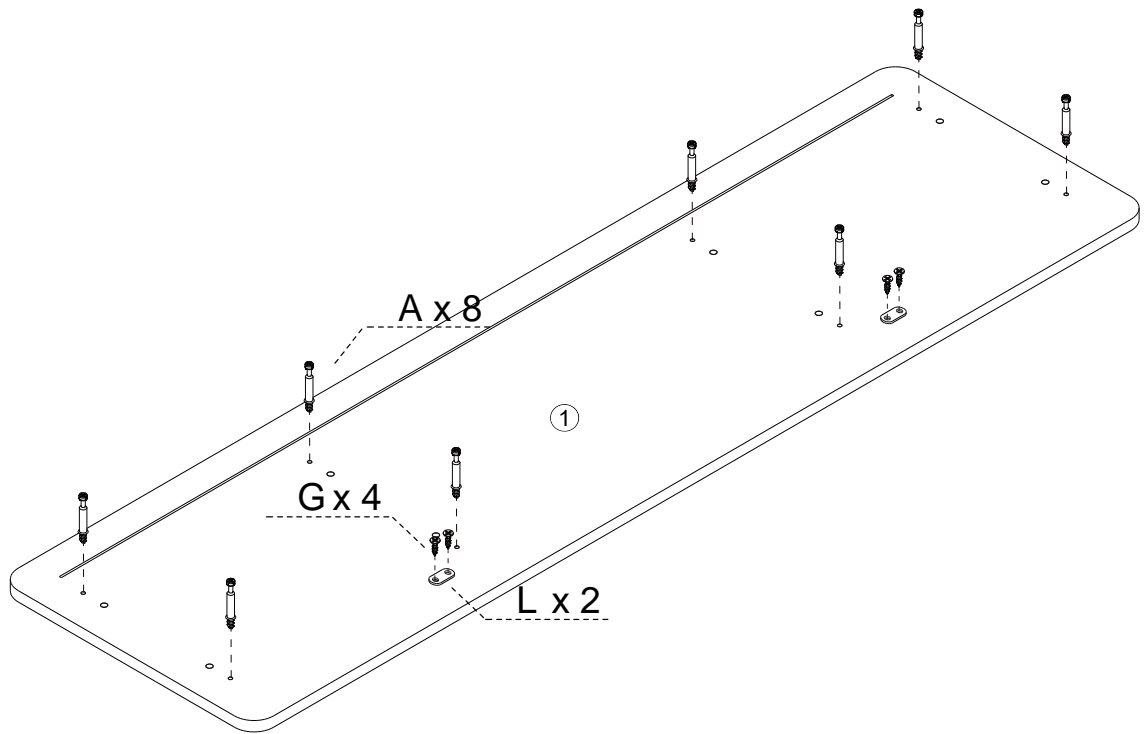



E	
Adjustable Footpad 2pcs	
F	
Foot pads 4pcs	



9.



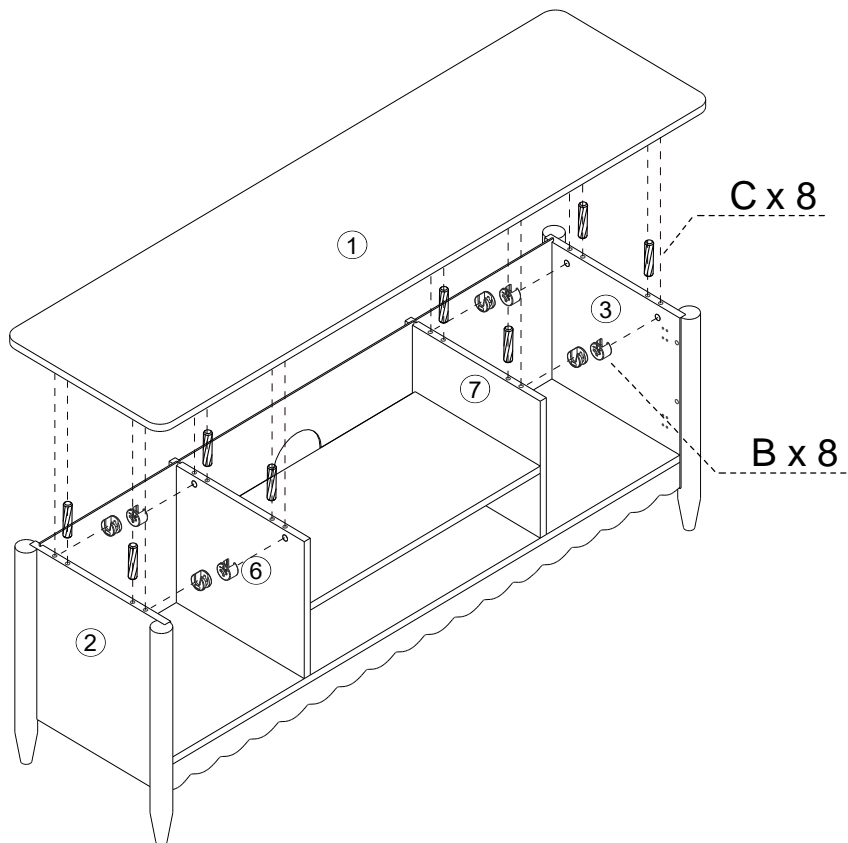
10.





A	
M6x35mm Bolt	
8pcs	

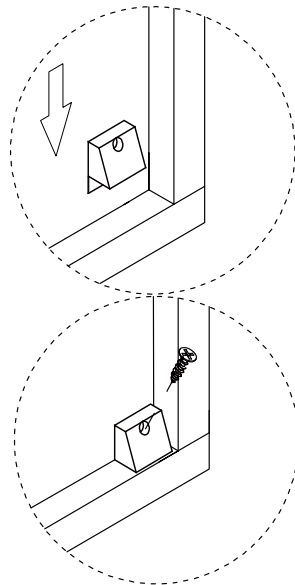
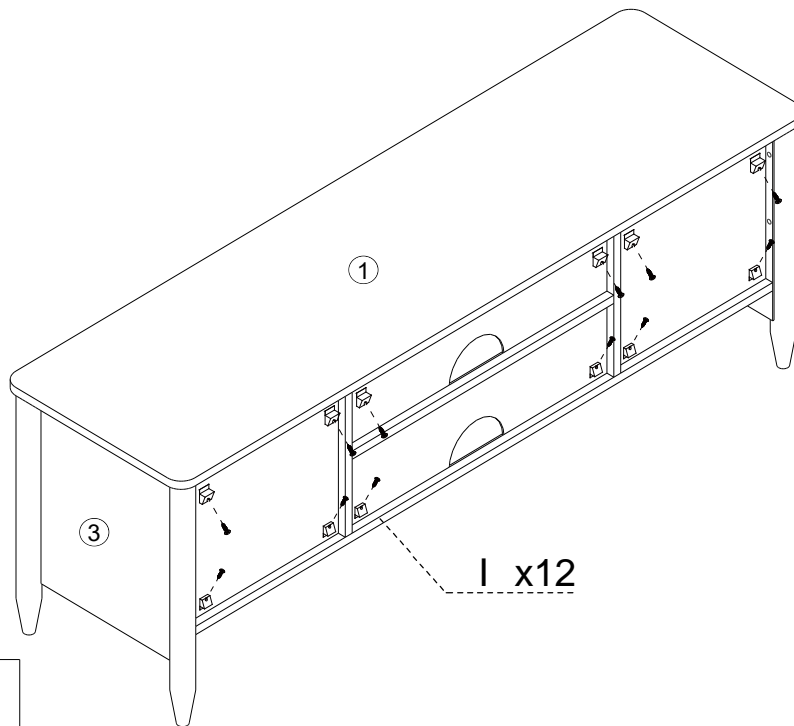
L		G	
Door buffer		M3.5x14mm Screw	
2pcs		4pcs	

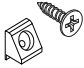
11.



B		C	
M15x10mm CamLock		M8x30mm Dowel	
8pcs		8pcs	

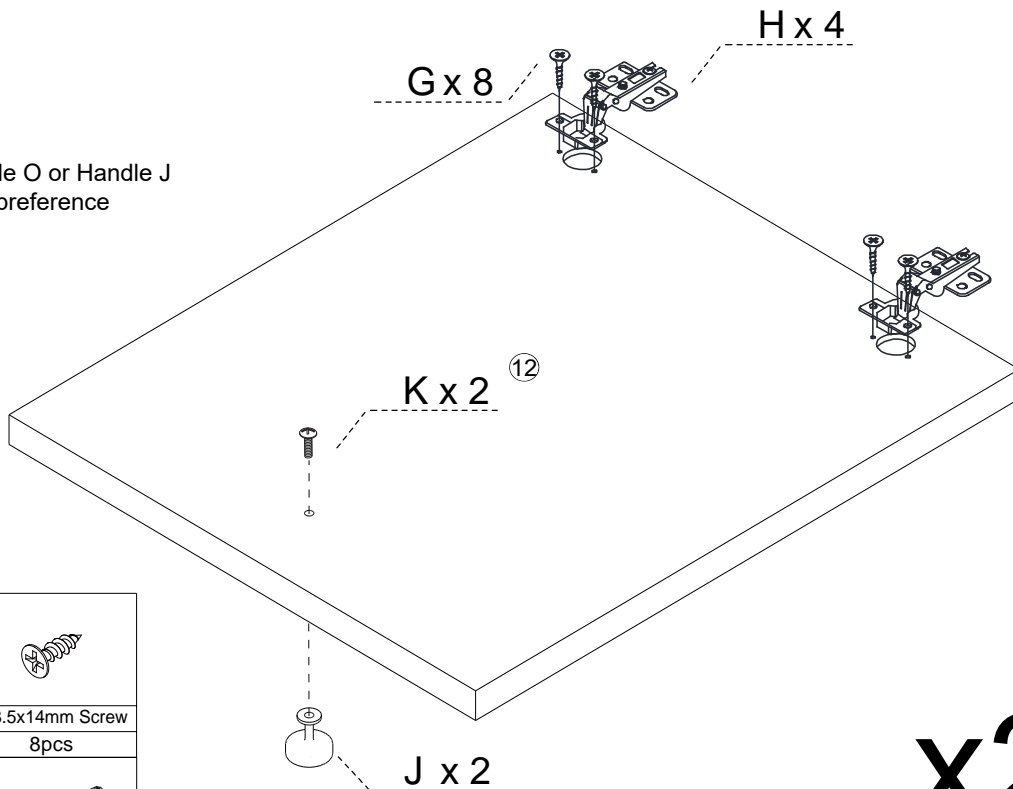
12.





I	
Back plate buckle	
16pcs	


13.


Install either Handle O or Handle J according to your preference




O	
Wooden Handle	
2pcs	

J	
Metal Handle	
2pcs	

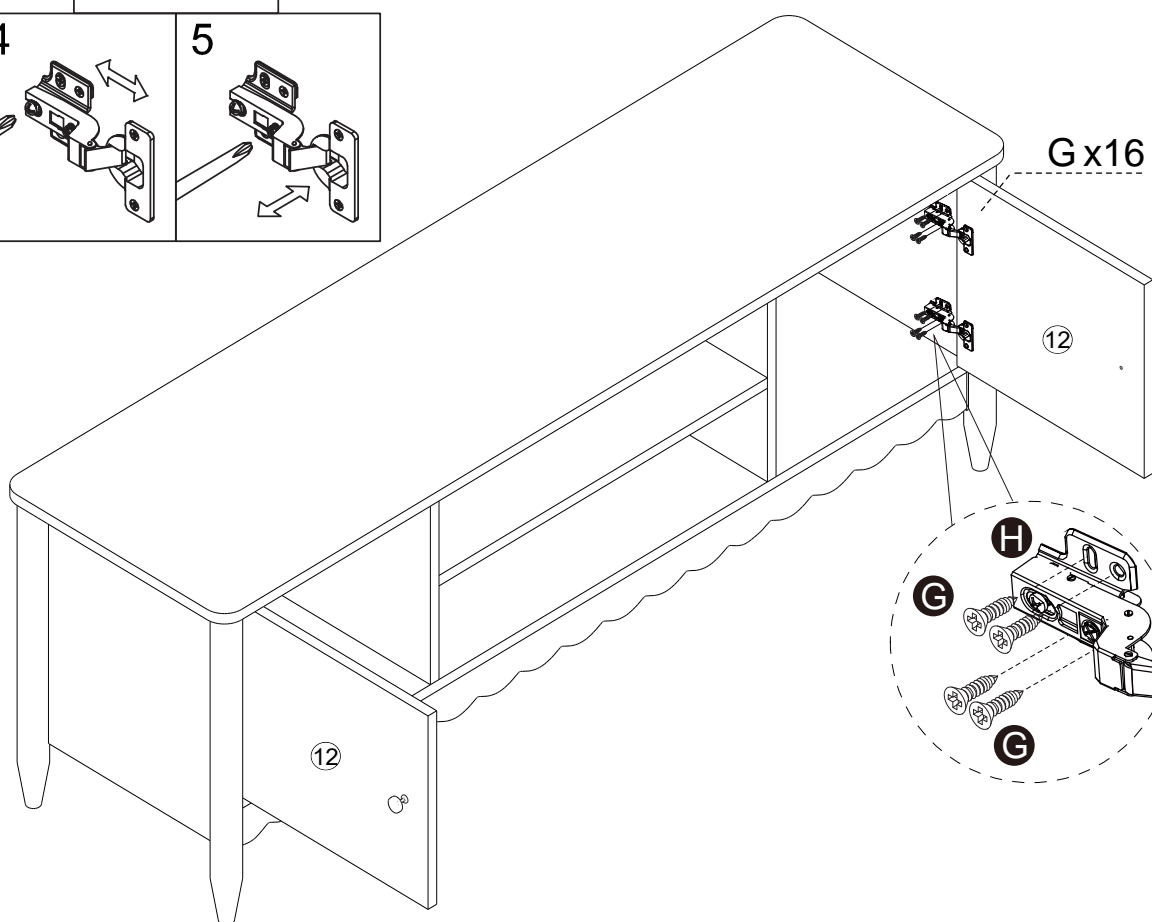
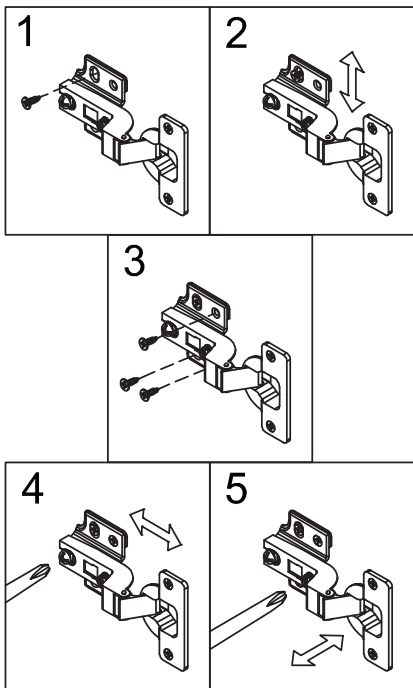
G	
M3.5x14mm Screw	
8pcs	


K	
M4x18mm Screw	
2pcs	

H	
Hinger	
4pcs	

x2

14.



G

M3.5x14mm Screw
16pcs