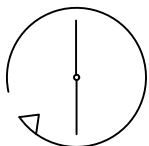
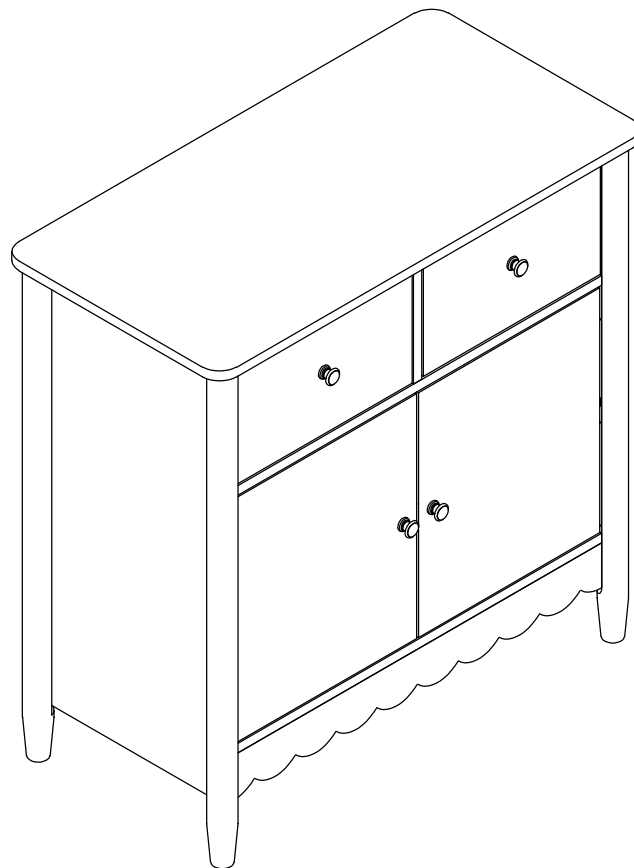


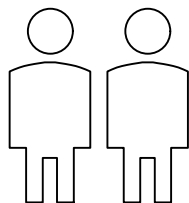
DUSK.COM
LIVING | BEDROOM | DINING

Range Name : Betty
Box1 dimensions : W89xD48xH24cm
Product dimension : W77xD38.5xH78cm

Betty Sideboard - Painting



Up to 120 minutes
assembly time



Two person
assembly



Electric screwdriver
prohibited

This product is intended for domestic use only, not for commercial purposes.

IMPORTANT

ASSEMBLY TIP

Before you begin, it's best to identify all of the parts and fittings to build your Betty Sideboard frame. We advise laying these out on the floor to check you have everything, and to familiarise yourself with all of the parts and fittings before building.

TOP TIP

We recommend that you assemble the Betty Sideboard in the room you'd like it to be located.

This will help prevent any risk of damage to the frame whilst moving it.

SAFETY AND CARE

It's important to ensure children and animals are kept away from the assembly area, as there are small components used in this product which could present a choking hazard. All plastic and wrapping materials should also be kept away from children and animals to prevent any risk of suffocation.

HELP AND SUPPORT

Please contact our customer service team on 0113 519 0311 if you have any questions or issues with your purchase.

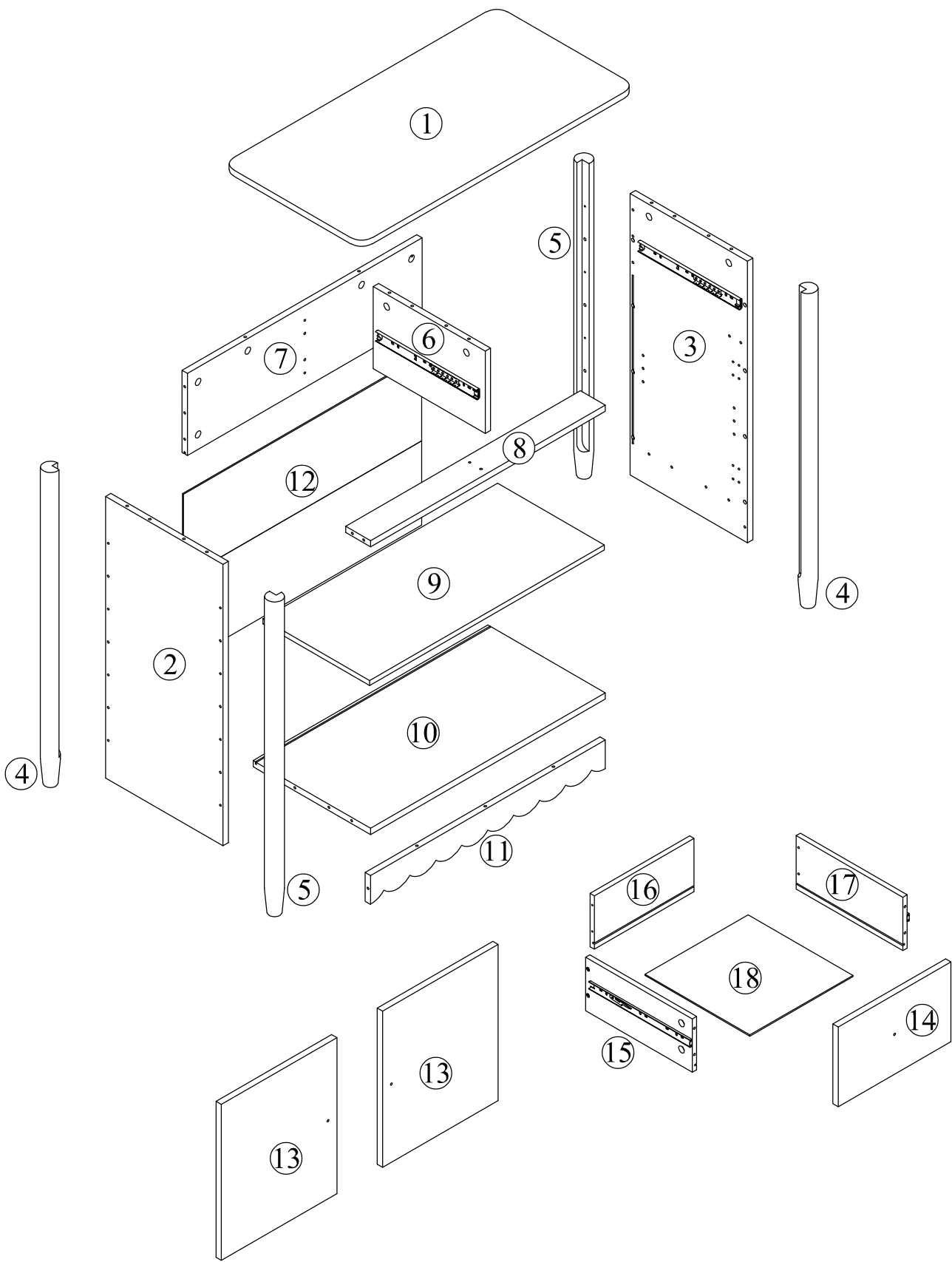
RECYCLING

Please ensure that packaging is disposed of in a safe and environmentally friendly way, and recycle where possible. Please keep your assembly instructions safe to refer back to in the future.

CARE AND MAINTENANCE:

1. Only clean using a damp cloth, do not use bleach or abrasive cleaners as they may damage the finish over time.
2. Do not use a very wet cloth or allow any liquid to contact with the veneer for a long period of time. Wipe any spillage immediately. Absorption can cause wood to warp or finishes to de-laminate.
3. Do not scrub or rub the surface when cleaning.
4. Do not drag the Betty Sideboard when moving, lift it off the floor instead.
5. Use a placemat or a coaster when putting hot items (e.g. hot drinks and dishes) on the wood surface.
6. It is not recommended to place the item next to sources of heat such as radiators, fires or directly exposed to sunlight. This may cause the wood to crack, split or fade due to the heat and humidity.
7. Wood will mellow and change colour over time, we recommend that ornaments and items placed on the surface to be moved regularly to prevent uneven mellowing.
8. Regularly check all fixings to ensure none have come loose. Re-tighten if necessary.
9. Avoid sharp items such as a screwdriver or any pointy tools.
10. Dispose of all packaging carefully and responsibly - recycle where possible.

Parts list



Parts list

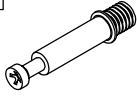

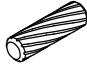
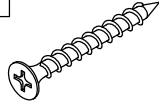
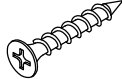
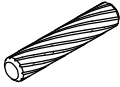


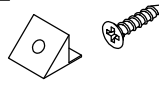
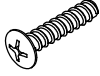
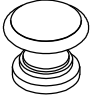
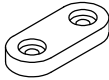
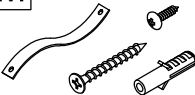
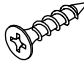
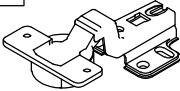
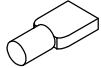

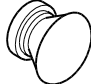
Before you begin building your Betty Sideboard , please take a moment to read through the instructions and make sure that you have all the relevant parts listed on the parts check list.

Part Number	Part Description	Quantity	Box No
①	Top panel	1 pc	Box1
③	Right side panel with slide pre-assembled	1 pc	Box1
⑤	Left front /Right back leg	2 pcs	Box1
⑦	Back support	1 pc	Box1
⑨	Shelf	1 pc	Box1
⑪	Scallop support	1 pc	Box1
⑬	Door	2 pcs	Box1
⑮	Drawer left with slide pre-assembled	2 pcs	Box1
⑰	Drawer right with slide pre-assembled	2 pcs	Box1




Part Number	Part Description	Quantity	Box No
②	Left side panel with slide pre-assemble	1 pc	Box1
④	Left back /Right front leg	2 pcs	Box1
⑥	Middle panel	1 pc	Box1
⑧	Front support	1 pc	Box1
⑩	Bottom panel	1 pc	Box1
⑫	Back panel	1 pc	Box1
⑭	Drawer front	2 pcs	Box1
⑯	Drawer bottom	2 pcs	Box1
⑱	Drawer bottom	2 pcs	Box1

Fittings

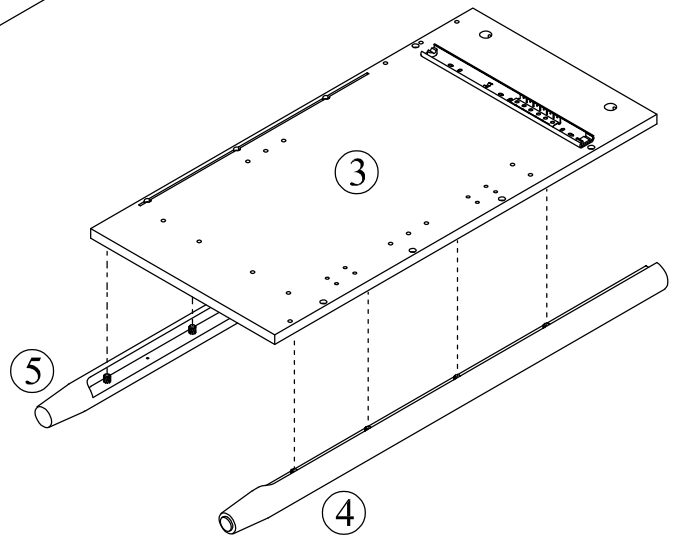
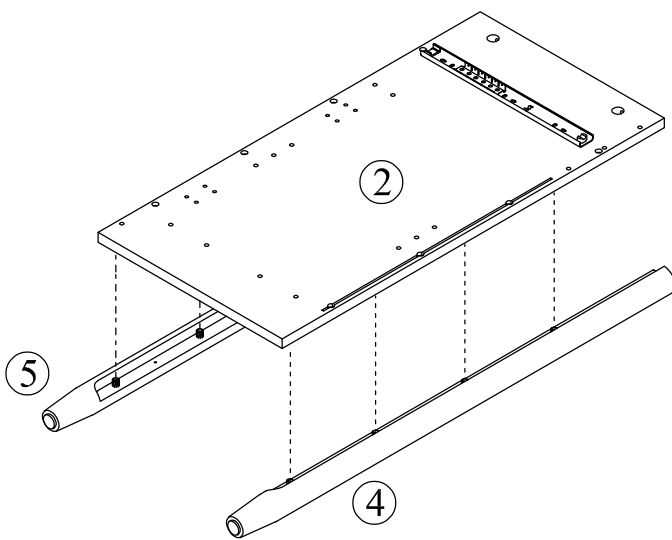
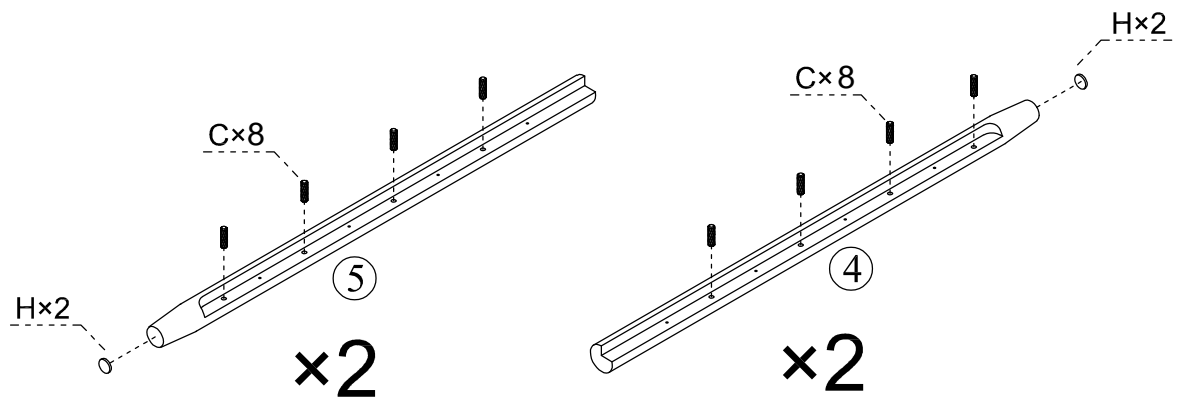
Please check you have all the fittings listed below with your product in Box 1.


A 	B 	C 	D 	E 
M6x35mm Bolt 30pcs+2pc extra	M15x10mm CamLock 30pcs+2pc extra	M6x20mm Dowel 16pcs+1pc extra	M4x35mm Screw 11pcs+1pc extra	M4x25mm Screw 16pcs+1pc extra
F 	G 	H 	I 	J 
M8x30mm Dowel 18pcs+1pc extra	Hole stickers 8pcs	Foot pads 4pcs	Back plate buckle 8pcs	M4x16mm Screw 4pcs
K 	L 	M 	N 	O 
Metal Handle 4pcs	Door buffer 2pcs	Wall anchor kit 2pcs	M3.5x12mm Screw 28pcs+2pc extra	Hinge 4pcs
P 	Q 	R 		
Shelf support 4pcs	Hole stickers 6pcs	Wooden Handle 4pcs		

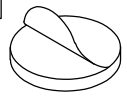
Pre-assembled Fittings.

U1 	U2 	N 
Slide Pre-assembled 4pcs	Slide Pre-assembled 4pcs	M3.5*12mm Screw 20pcs

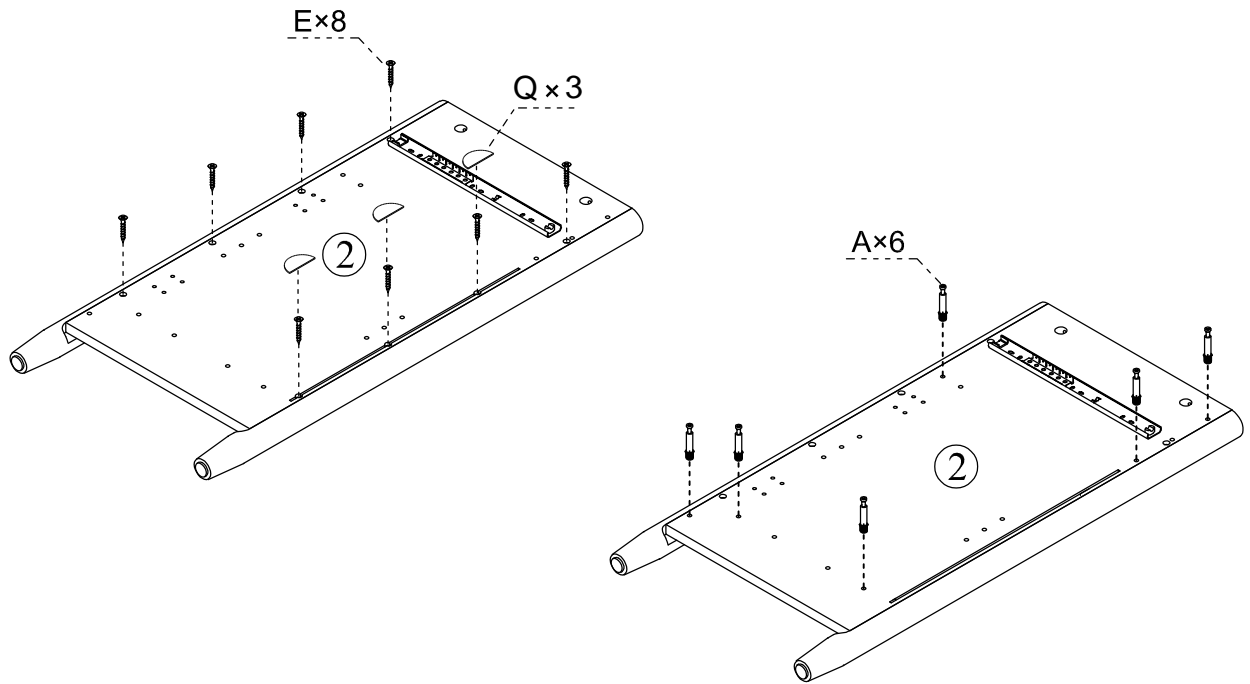
1.

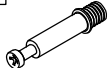
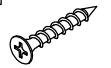



C	
M6x20mm Dowe	
16 pcs	

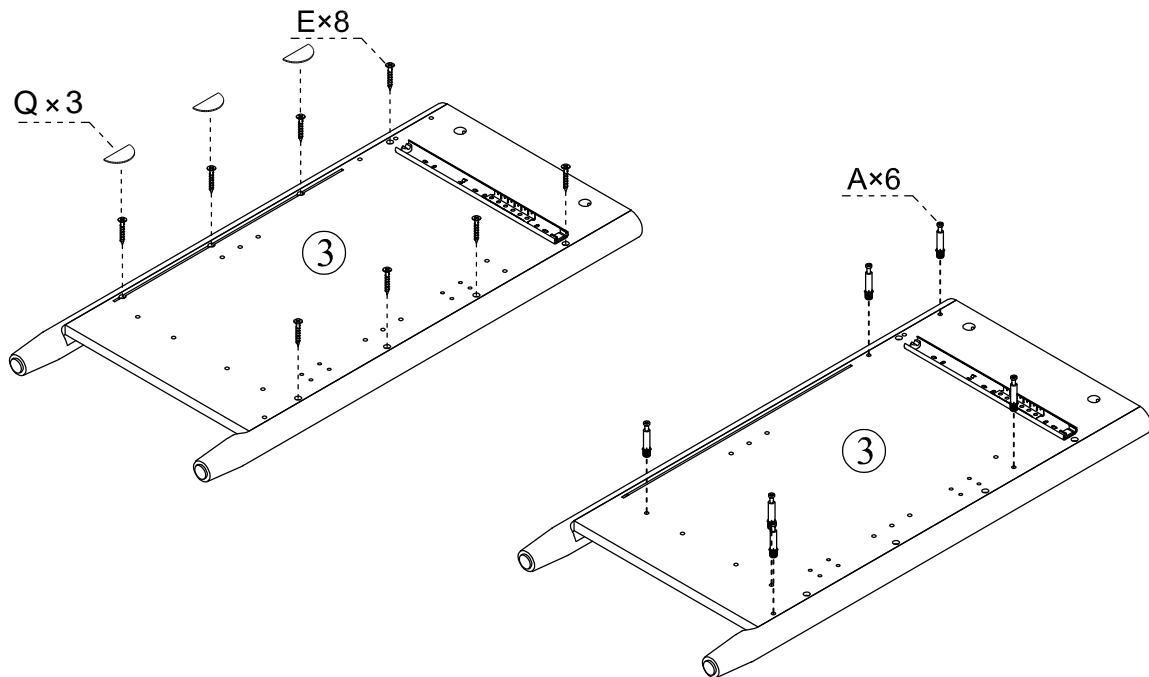
H	
Foot pads	
4pcs	

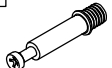
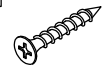

2.



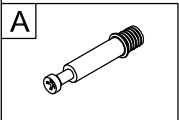
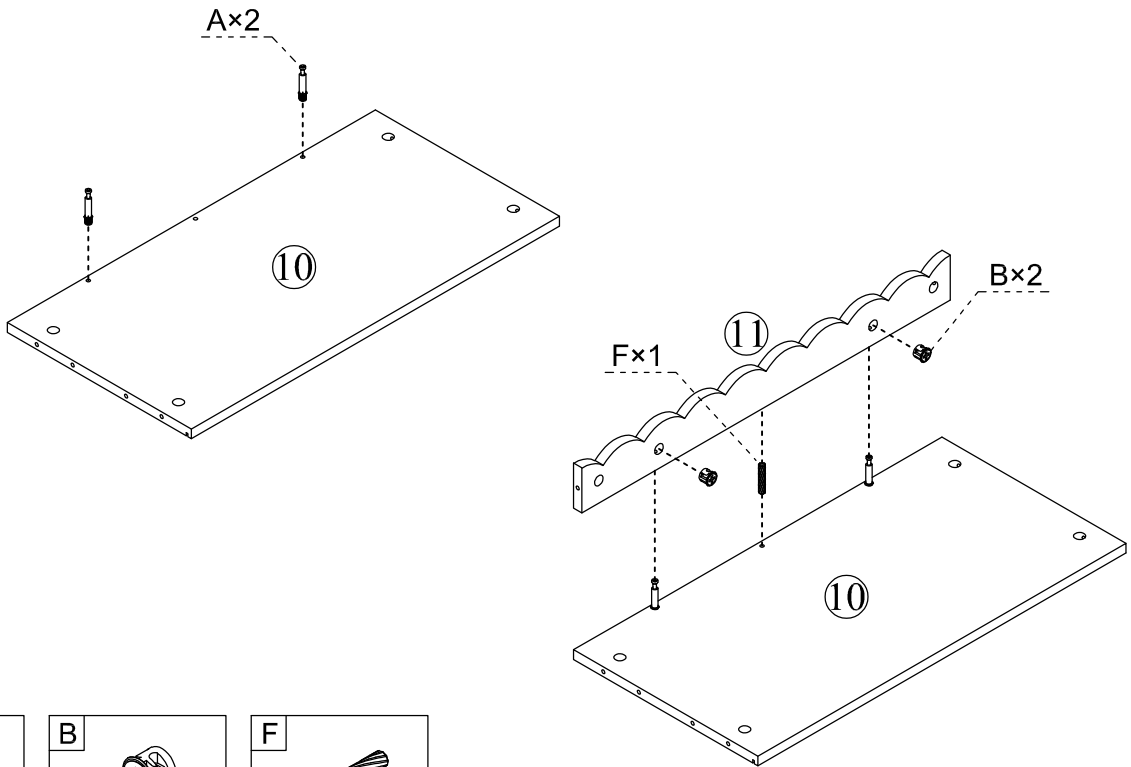
<p>A</p> 	<p>E</p> 	<p>Q</p> 
<p>M6x35mm Bolt 6pcs</p>	<p>M4x25mm Screw 8pcs</p>	<p>Hole stickers 3pcs</p>

3.

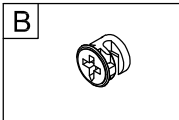


<p>A</p> 	<p>E</p> 	<p>Q</p> 
<p>M6x35mm Bolt 6pcs</p>	<p>M4x25mm Screw 8pcs</p>	<p>Hole stickers 3pcs</p>

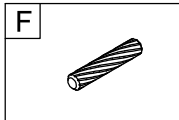
4.



M6x35mm Bolt
2pcs

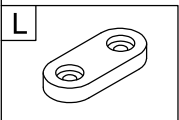
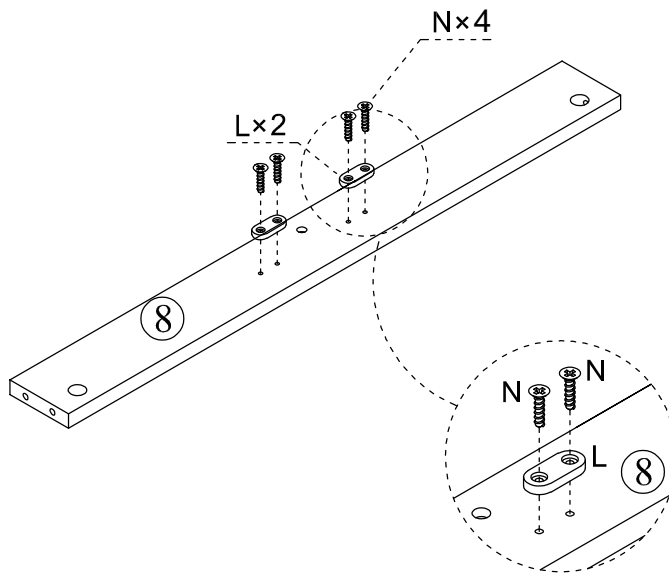


M15x10mm CamLock
2pcs

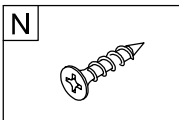


M8x30mm Dowel
1pc

5.

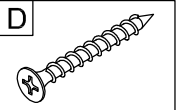
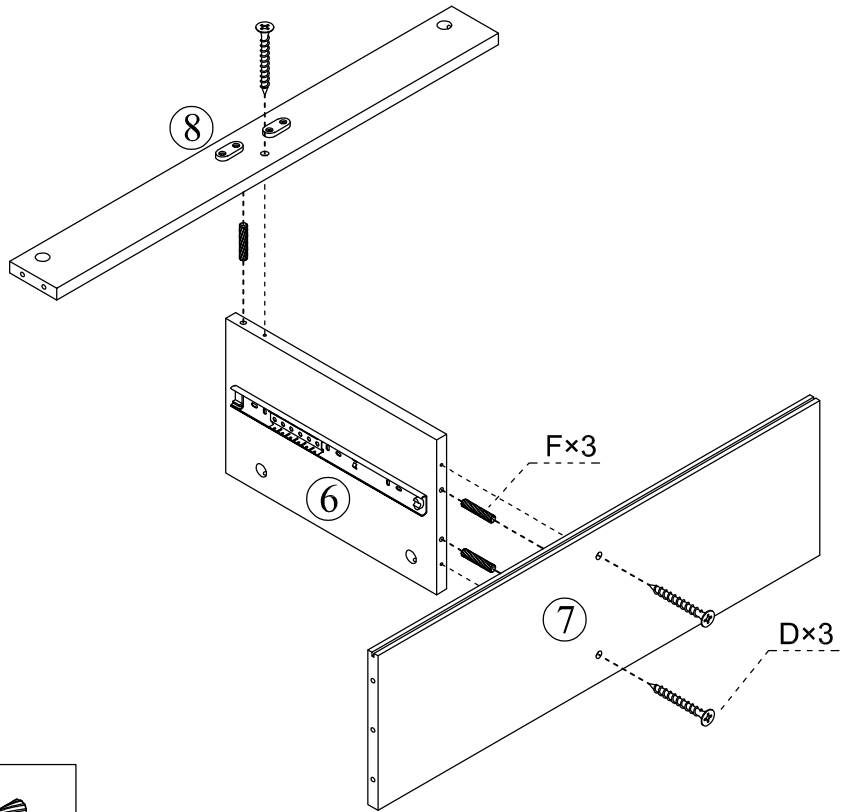


Door buffer
2pcs

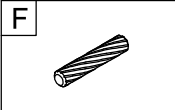


M3.5x12 mm Screw
4pcs

6.

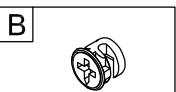
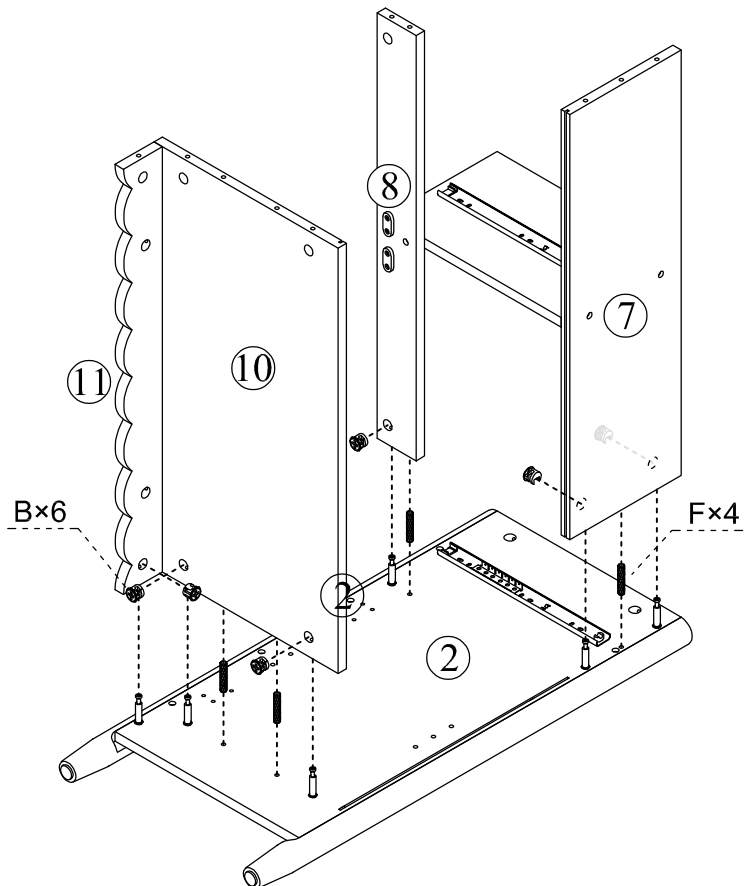


M4x35mm Screw
3pcs



M8x30mm Dowel
3pcs

7.

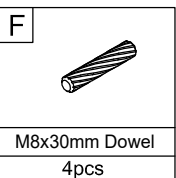
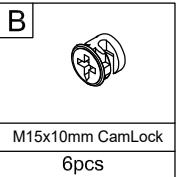
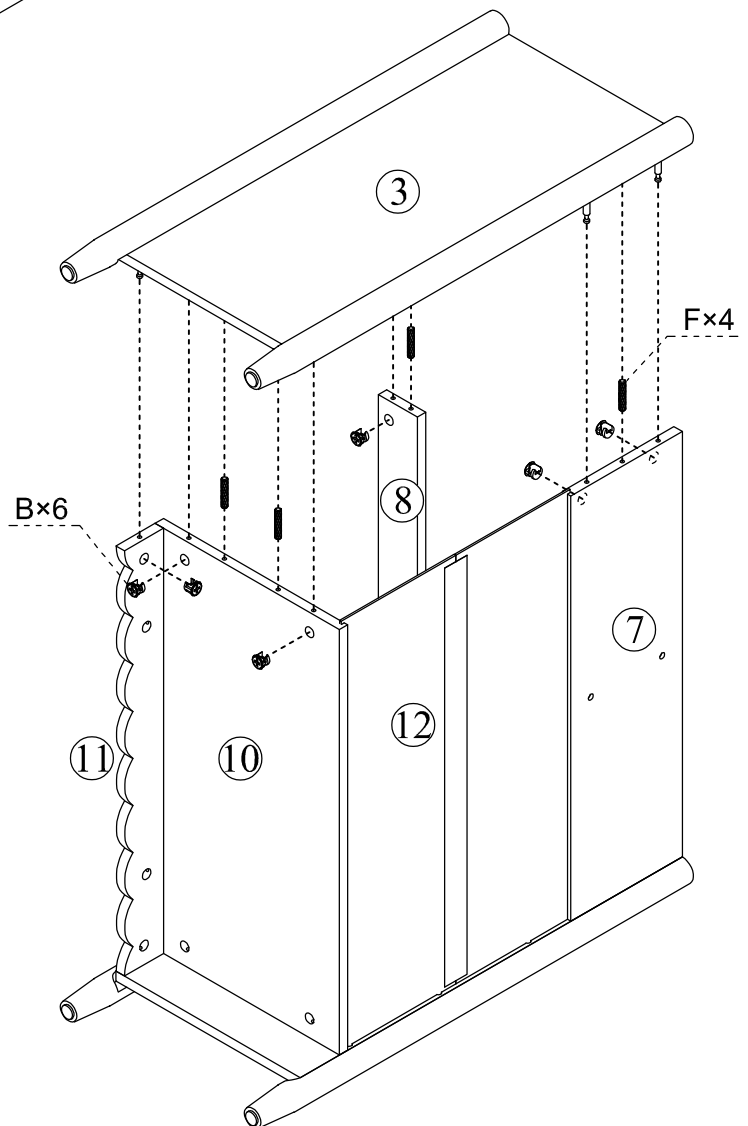
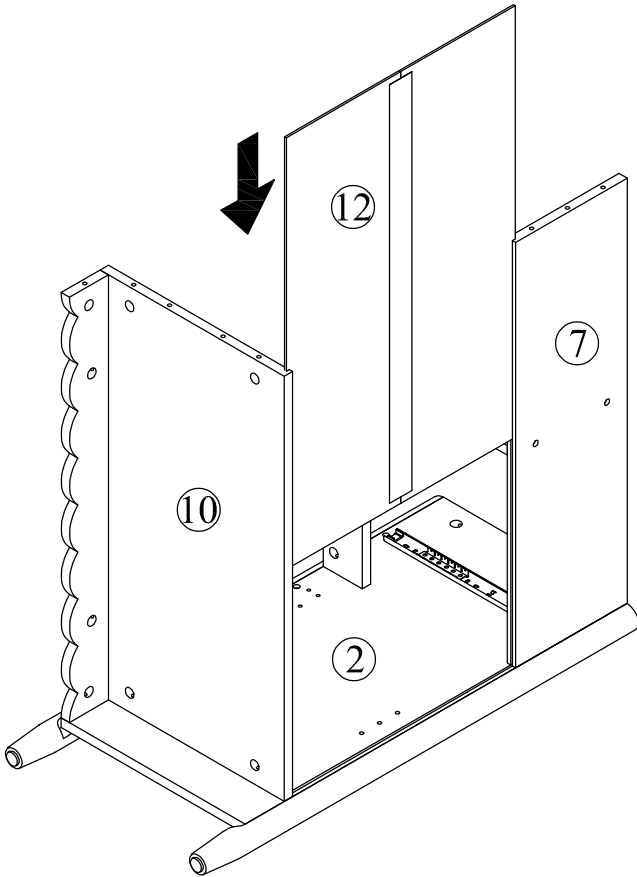


M15x10mm CamLock
6pcs

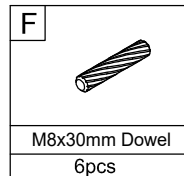
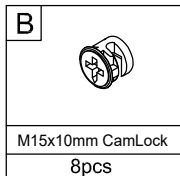
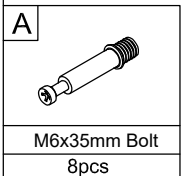
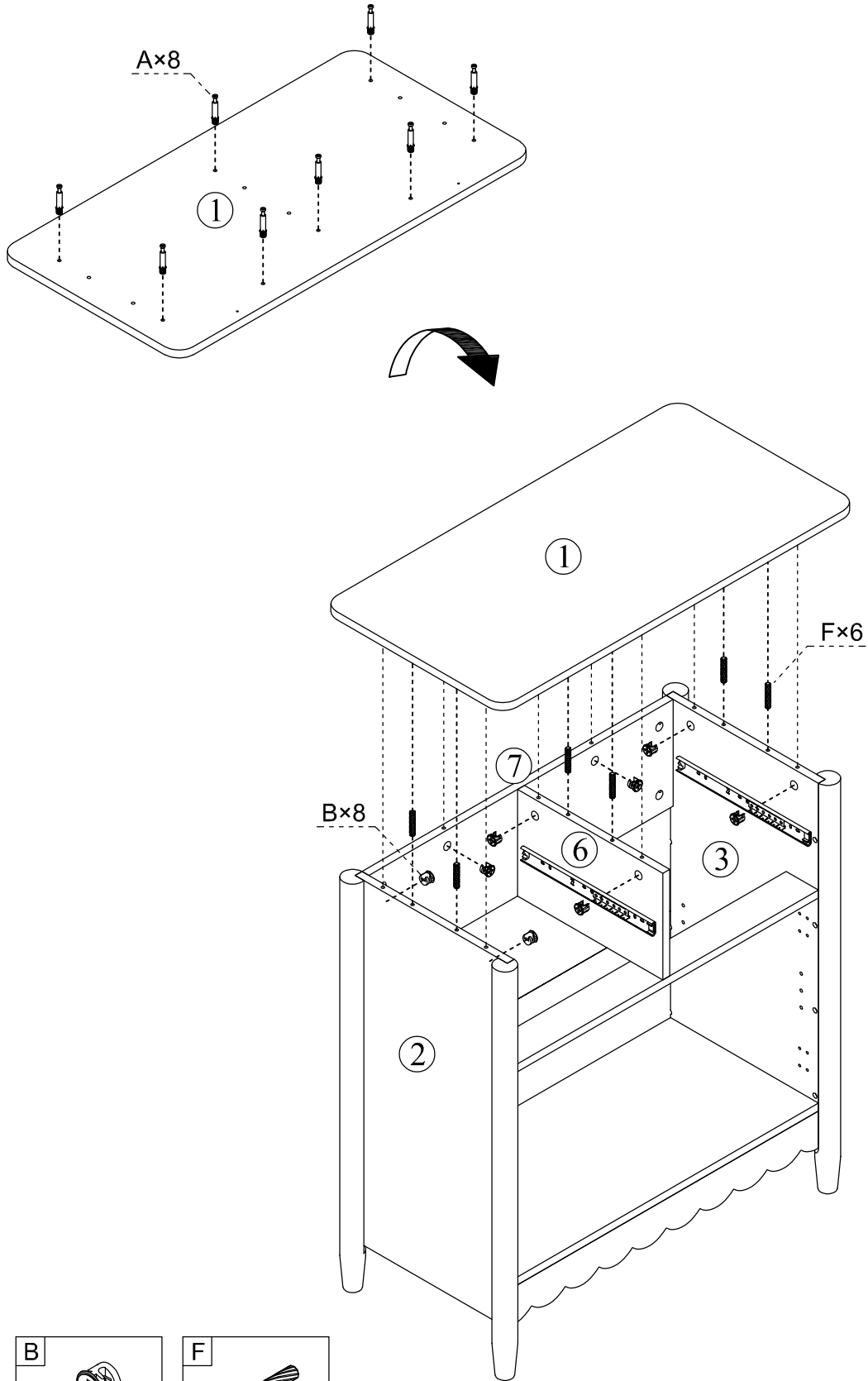


M8x30mm Dowel
4pcs

8.

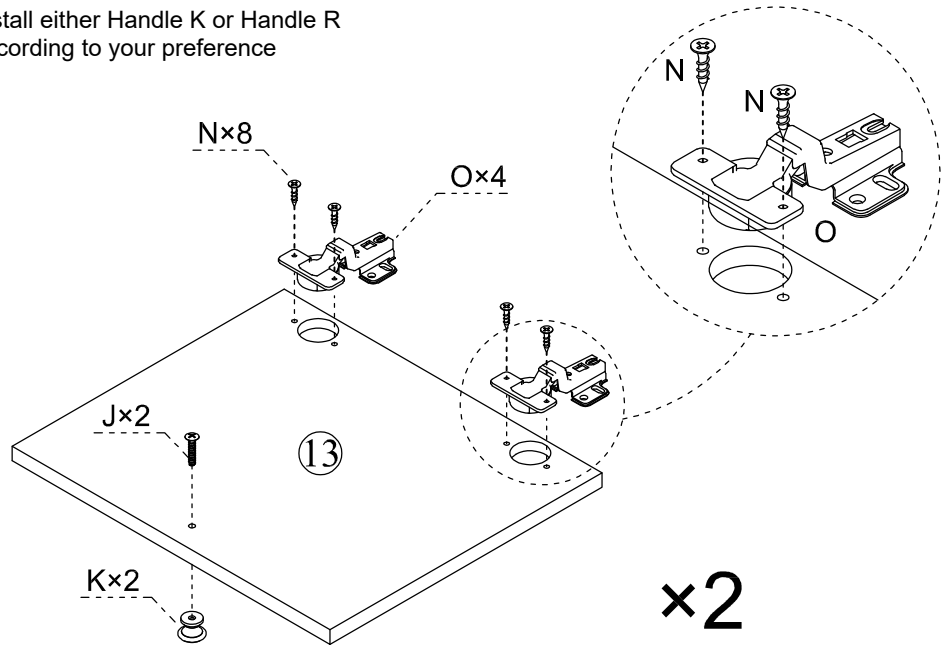
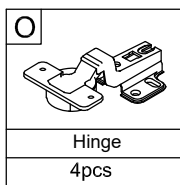
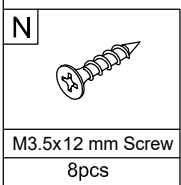
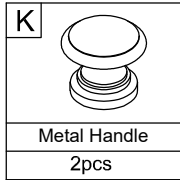
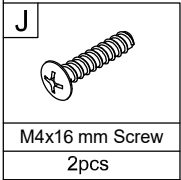
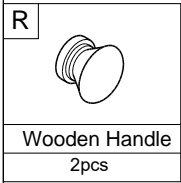


9.

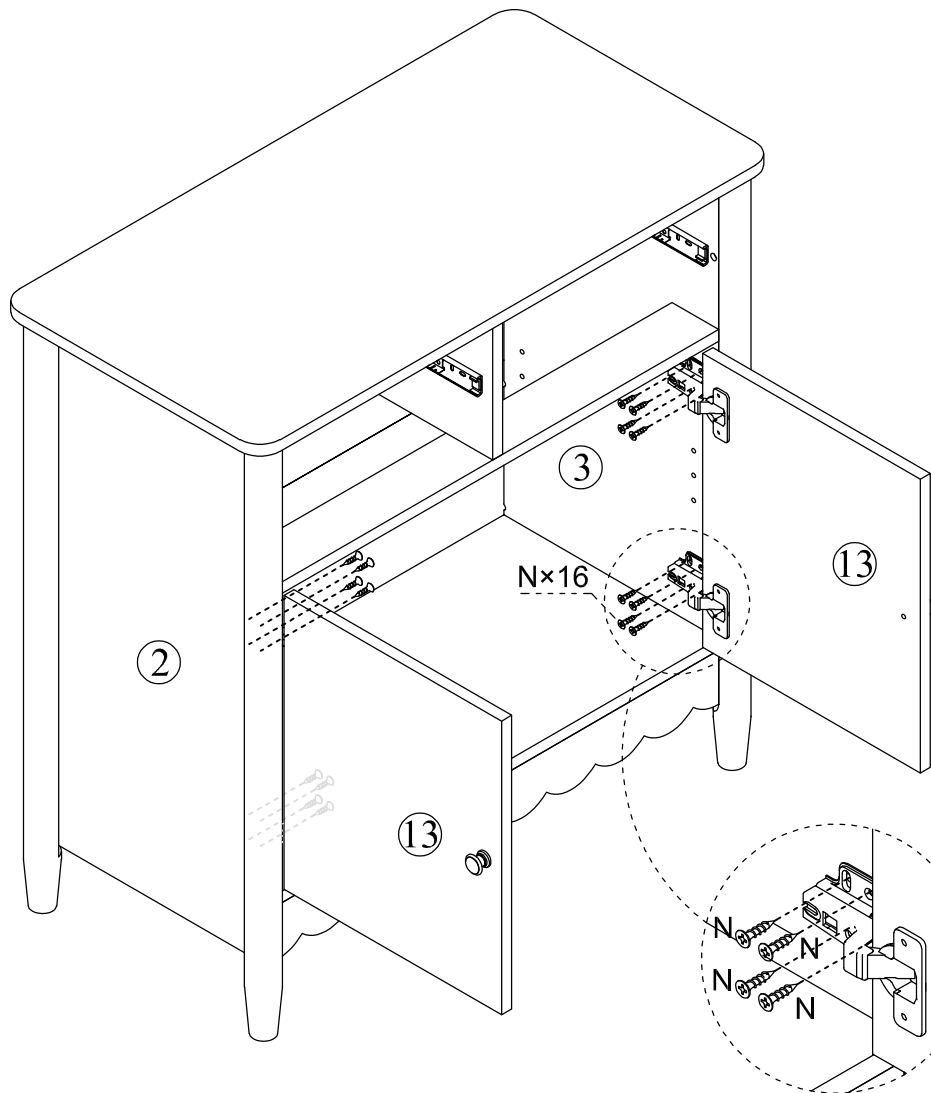
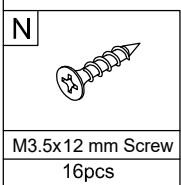
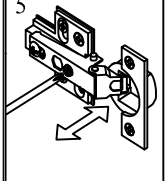
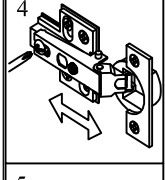
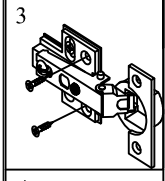
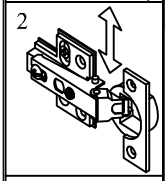
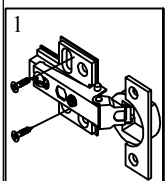


10.

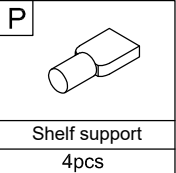
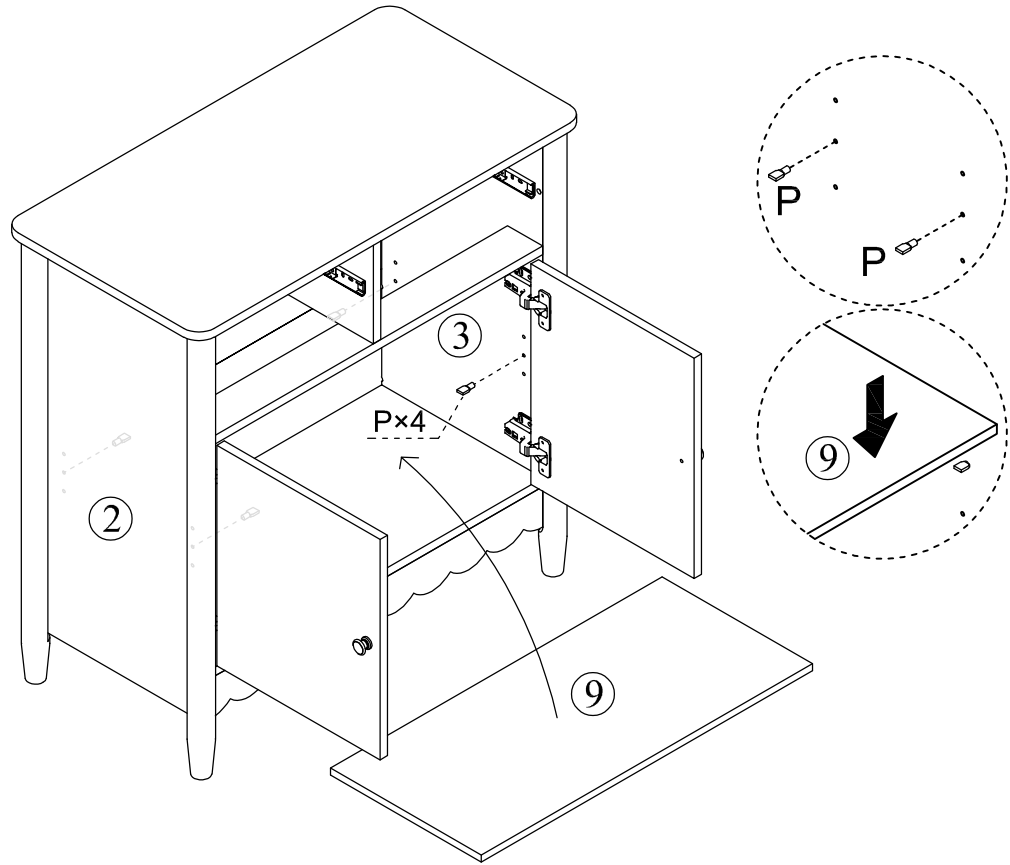
Install either Handle K or Handle R according to your preference



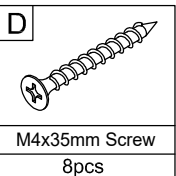
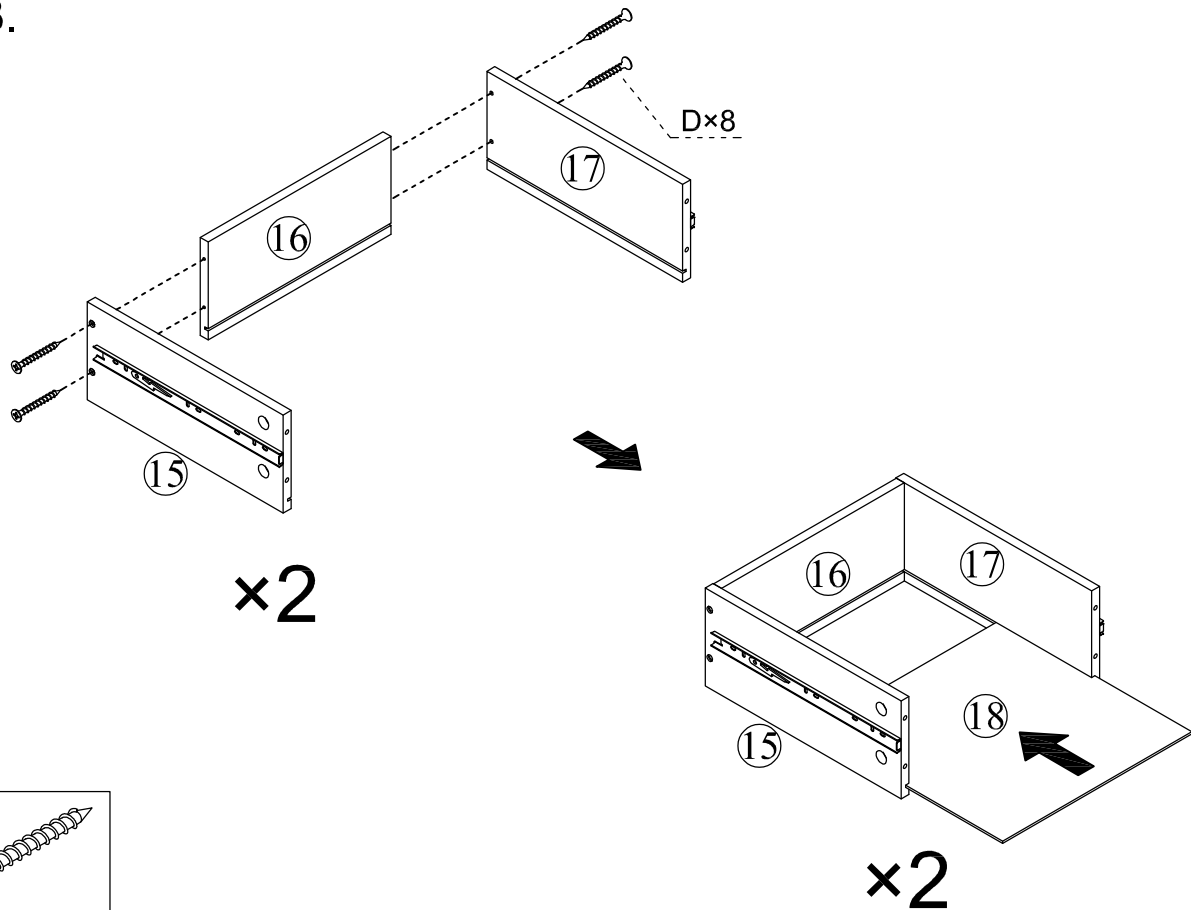
11.



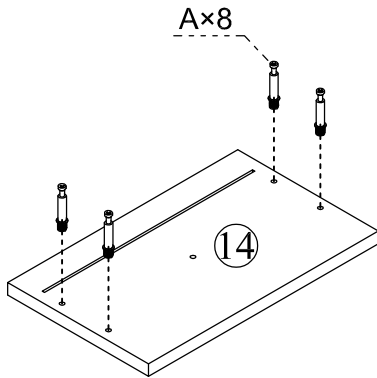
12.



13.

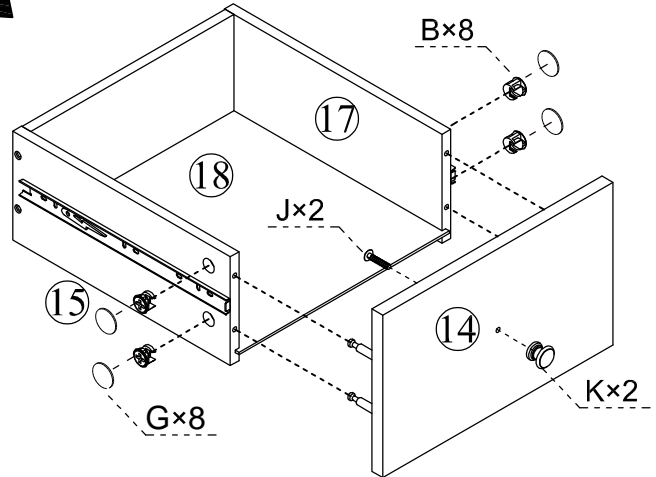


14.



Install either Handle K or Handle R according to your preference

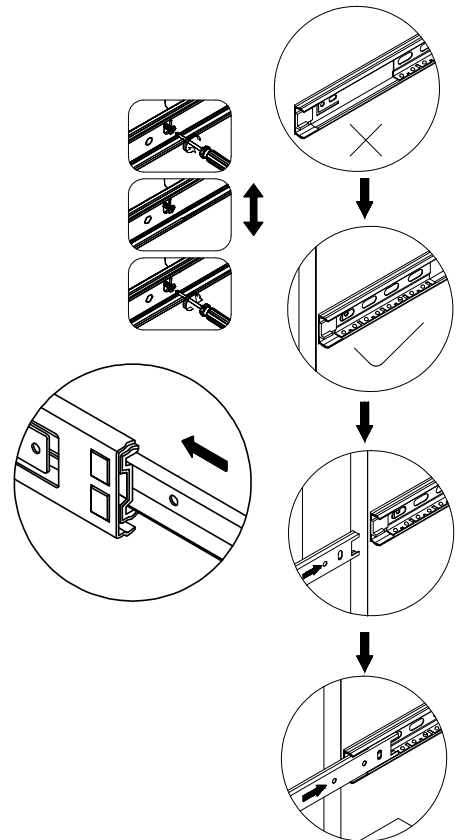
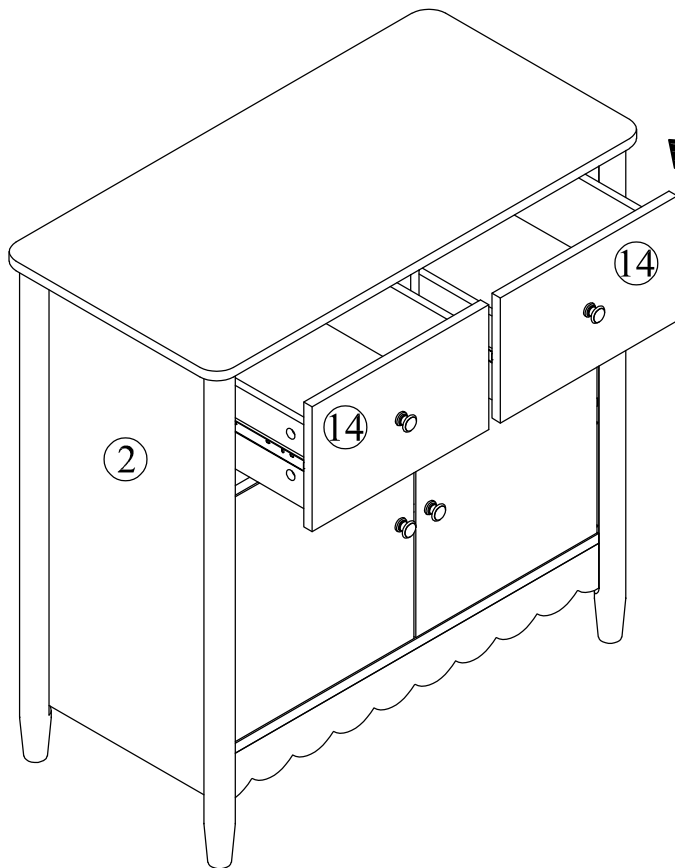
×2



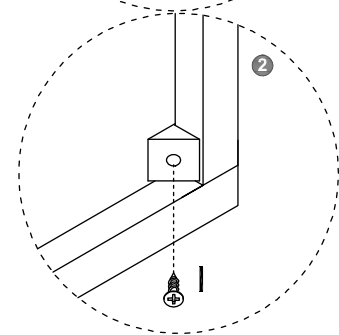
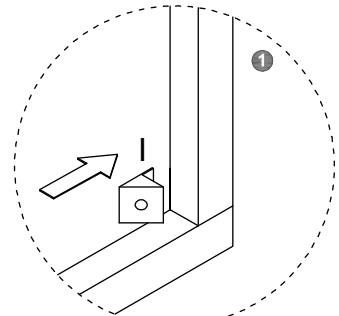
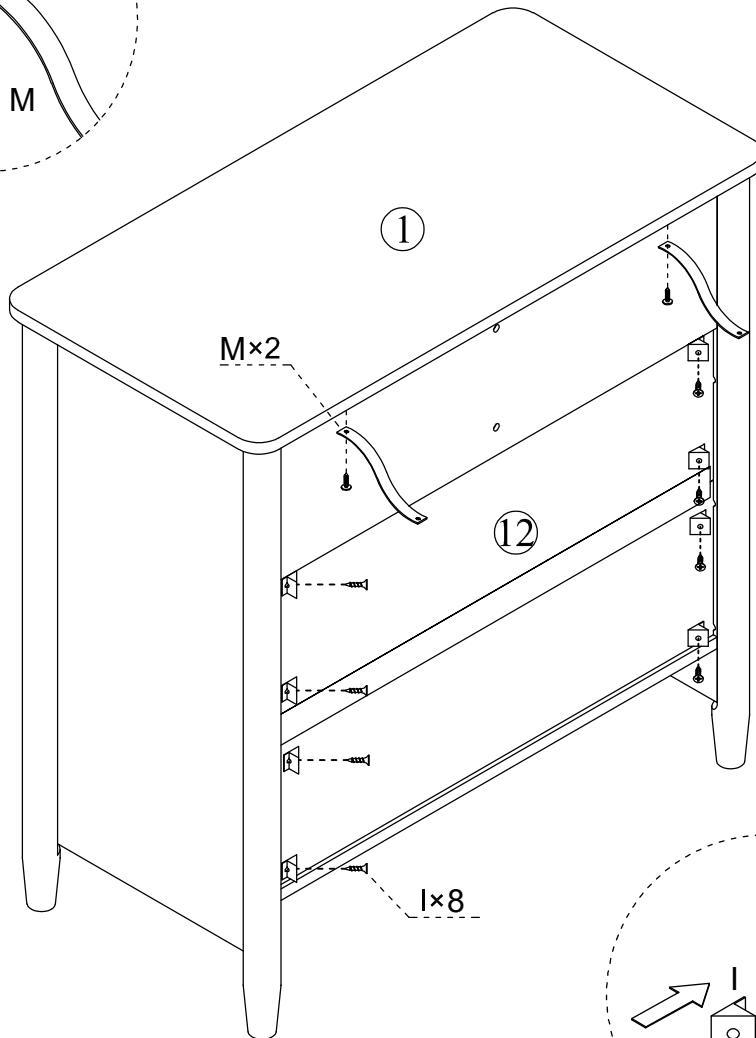
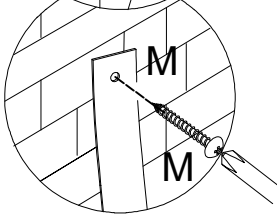
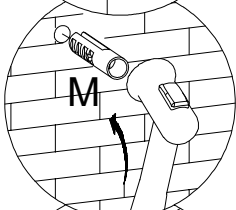
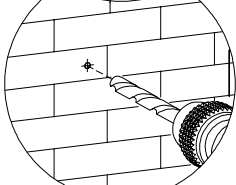
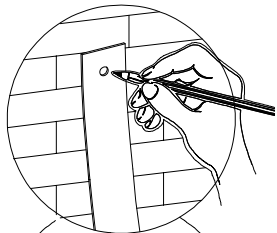
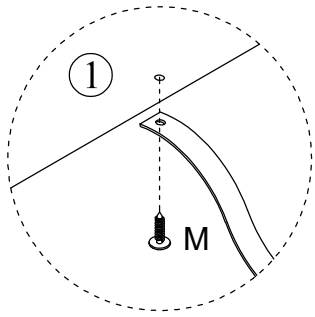
×2

<p>A</p>	<p>B</p>	<p>R</p>
<p>M6x35mm Bolt 8pcs</p>	<p>M15x10mm CamLock 8pcs</p>	<p>Wooden Handle 2pcs</p>
<p>G</p>	<p>J</p>	<p>K</p>
<p>Hole stickers 8pcs</p>	<p>M4x16 mm Screw 2pcs</p>	<p>Metal Handle 2pcs</p>

15.



16.



I	
Back plate buckle	
8pcs	

M	
Wall anchor kit	
2pcs	