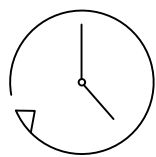
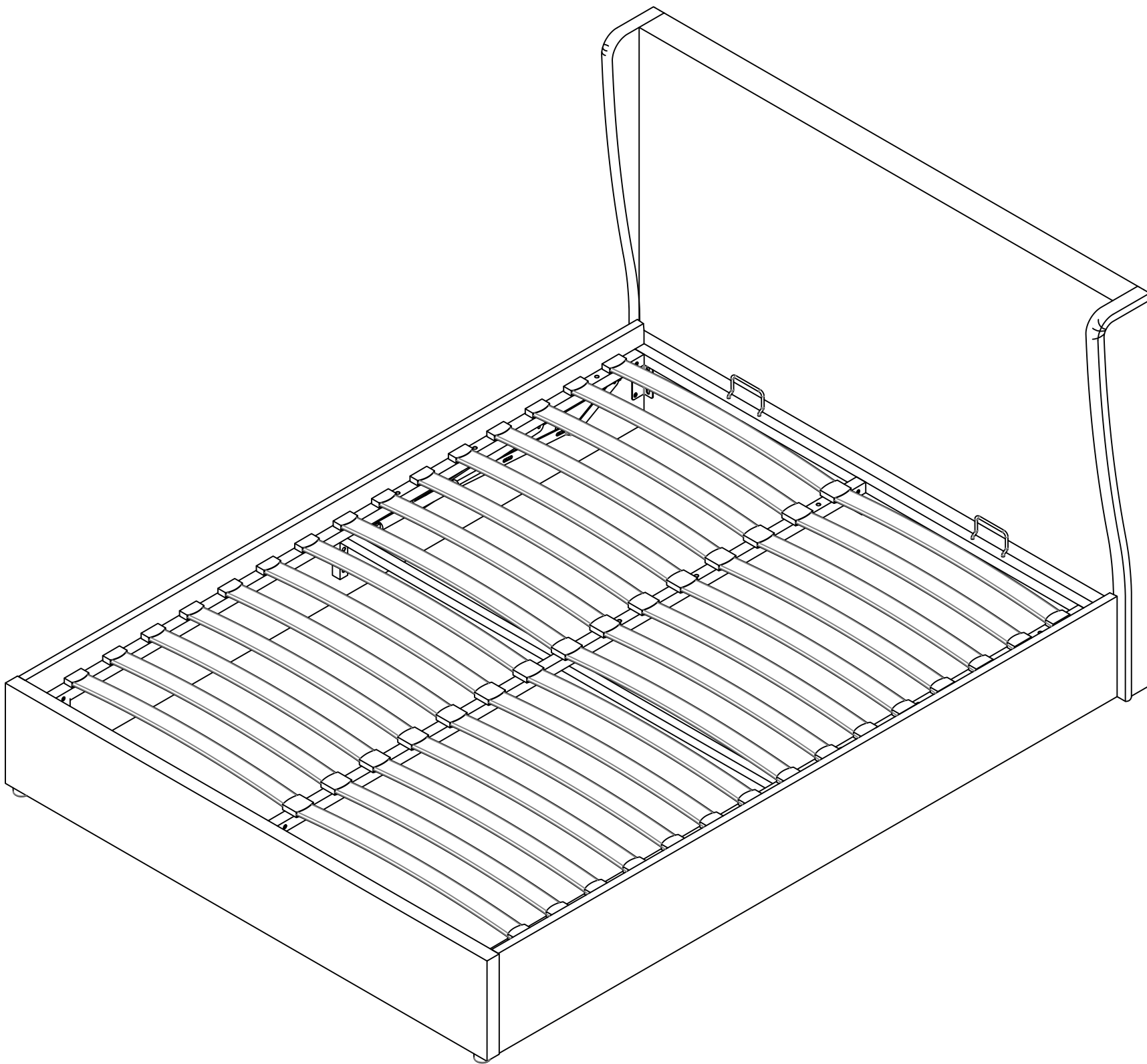
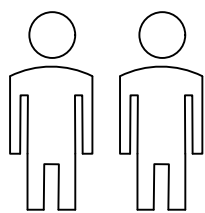


Berkeley Ottoman Bed Frame

Double/King size



Up to 2 hour approx
assembly time



Two person
assembly

Important

Assembly Tip

Before you begin, it's best to identify all of the parts and fittings to build your ottoman bed frame. We advise laying these out on the floor to check you have everything, and to familiarise yourself with all of the parts and fittings before building.

Top Tip

We recommend that you build your new ottoman bed frame in the room you'd like it to be located. This will help prevent any risk of damage to the frame whilst moving it.

Safety and Care

It's important to ensure children and animals are kept away from the assembly area, as there are small components used in this bed frame which could present a choking hazard. All plastic and wrapping materials should also be kept away from children and animals to prevent any risk of suffocation.

Help and Support

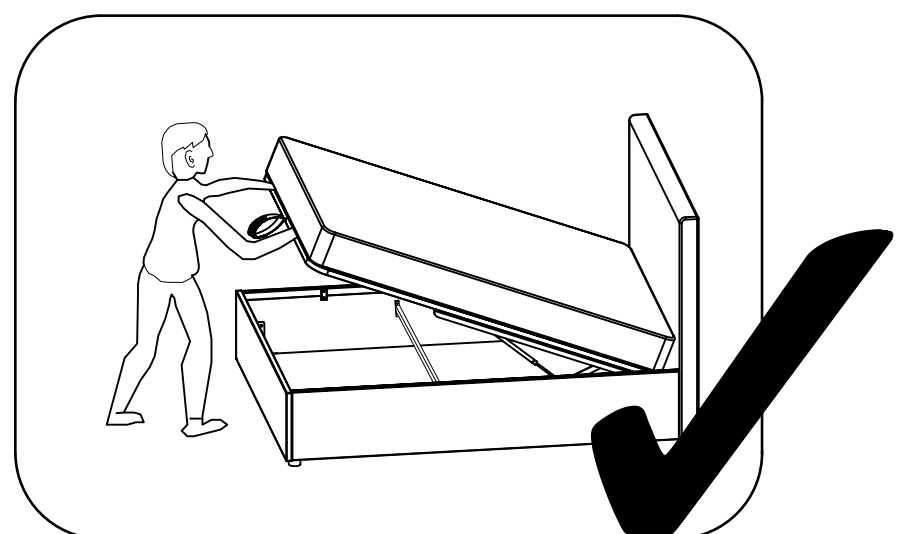
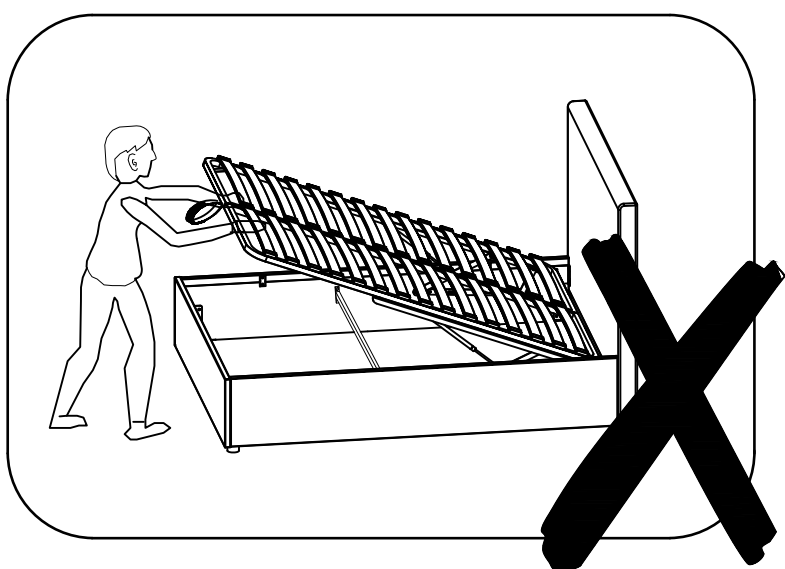
Please contact our customer service team on 0113 519 0311 if you have any questions or issues with your purchase.

Recycling

Please ensure that packaging is disposed of in a safe and environmentally friendly way, and recycle where possible. Please keep your assembly instructions safe to refer back to in the future.

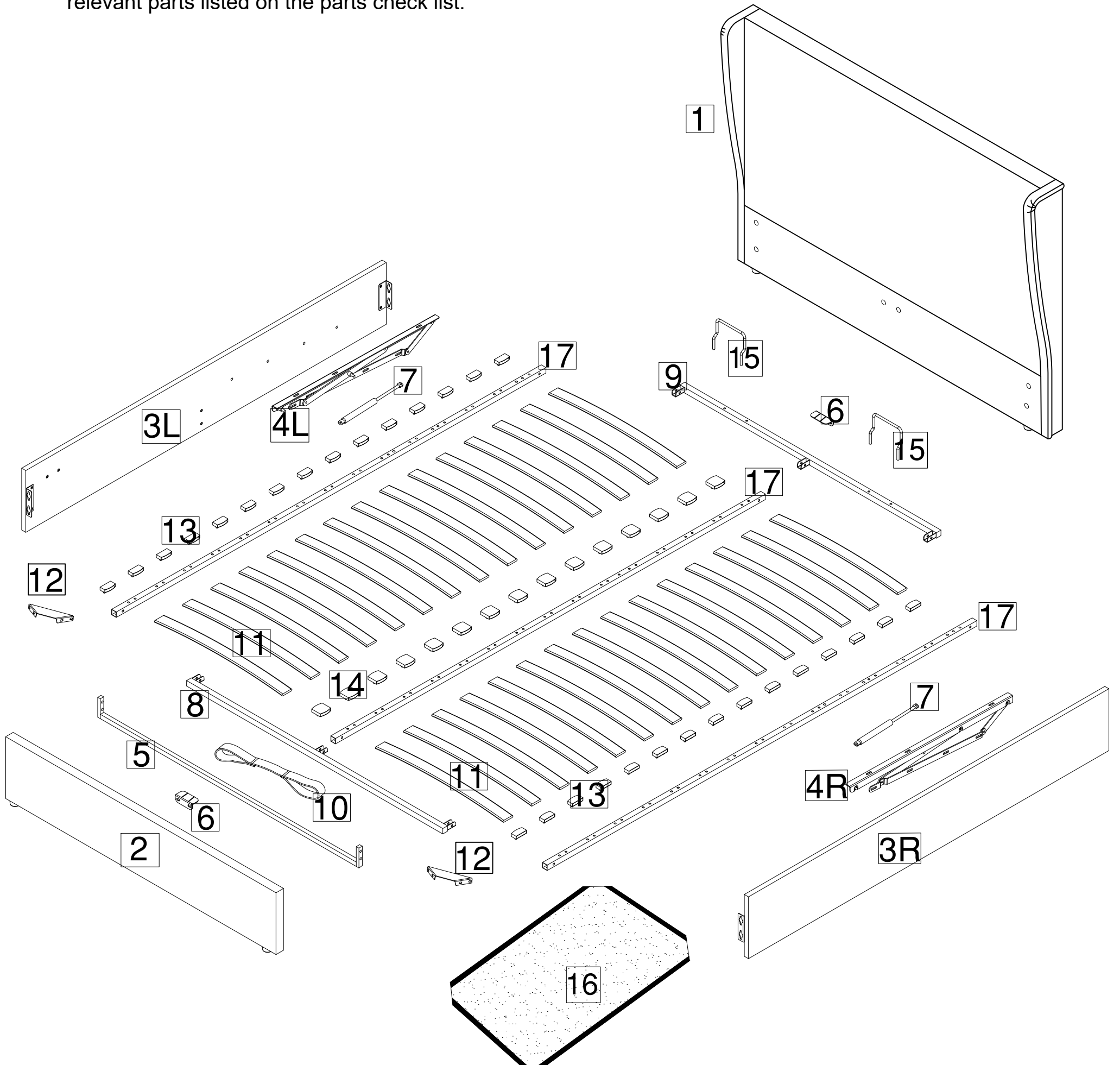
Operating Your Ottoman Bed Frame Safely

- Caution, this ottoman bed frame uses a pressurised mechanism.
- Please ensure children and animals are kept away from the ottoman bed frame when operating the mechanism.
- Use caution when operating, and always use two hands at arm's length.
- You must always ensure the mattress is on the ottoman bed frame before lifting the mechanism. Failure to do so may result in injury or damage to the mechanism.
- If removing the mattress, make sure the ottoman bed frame is secured as it could flip open.
- Only use the storage compartment when the ottoman bed frame is fully in the upright position.
- Do not remain on the ottoman bed frame whilst the lifting mechanism is in use.
- Beware of entrapment. Keep both hands clear of the mechanism when operating.
- When lifting the ottoman bed frame, remove all bedding except the fitted sheet.
- Always use the strap to lift or lower the ottoman metal frame. Close the ottoman metal frame by pushing down firmly with both hands towards the centre of the bed frame with equal pressure.
- No children or animals should be left unattended when the ottoman bed frame is in the upright position.
- When fully assembled, raise and lower the ottoman metal frame 4/5 times to ensure the gas pistons are fully lubricated.
- Ensure to re-tighten all nuts and bolts within the ottoman bed frame after the first two weeks of use.



Parts

Before you begin building your ottoman bed frame, please take a moment to read through the instructions and make sure that you have all the relevant parts listed on the parts check list.

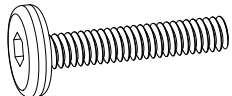
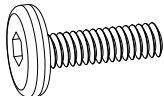
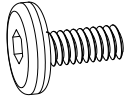
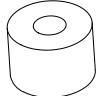
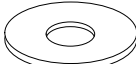


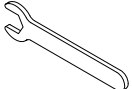


PART CHECK LIST

NO.	Part list	QTY	Box No	NO.	Part list	QTY	Box No
1	Headboard	1pc	Box 1	9	Rear Ottoman Metal Frame	1pc	Box 2
2	Footboard	1pc	Box 2	10	Strap	1pc	Box 2
3L	Side Rail-LH	1pc	Box 2	11	Slat Double/King	28/30pcs	Box 2
3R	Side Rail-RH	1pc	Box 2	12	Angle Corner Bracket	2pcs	Box 2
4L	Lift Mechanism - LH	1pc	Box 2	13	Side Slat Cap Double/King	28/30pcs	Box 2
4R	Lift Mechanism - RH	1pc	Box 2	14	Centre Slat Cap Double/King	14/15pcs	Box 2
5	Central Support Rail	1pc	Box 2	15	Mattress Positioning Handle	2pcs	Box 2
6	Angle Iron	2pcs	Box 2	16	Fabric Base	1pc	Box 2
7	Gas Strut	2pcs	Box 2	17	Side and Centre Ottoman Metal Frame	3pcs	Box 2
8	Front Ottoman Metal Frame	1pc	Box 2				



Fittings

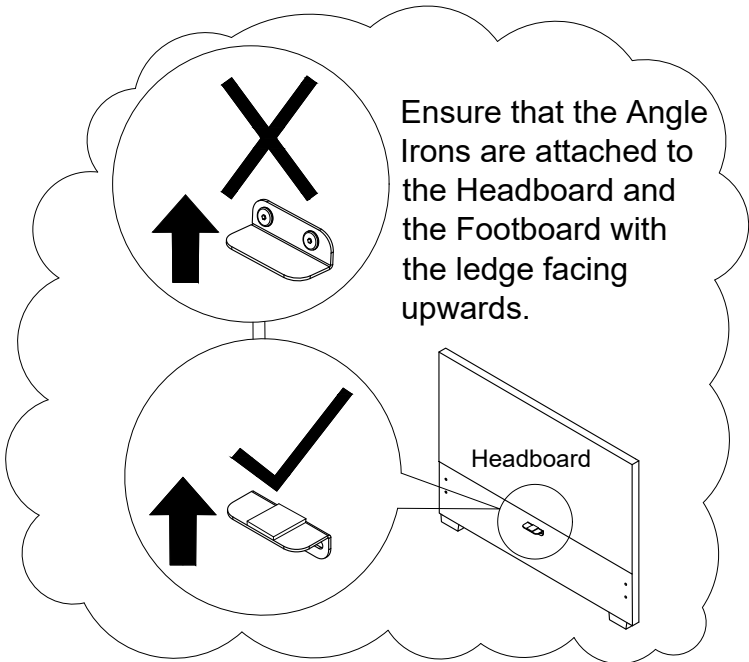
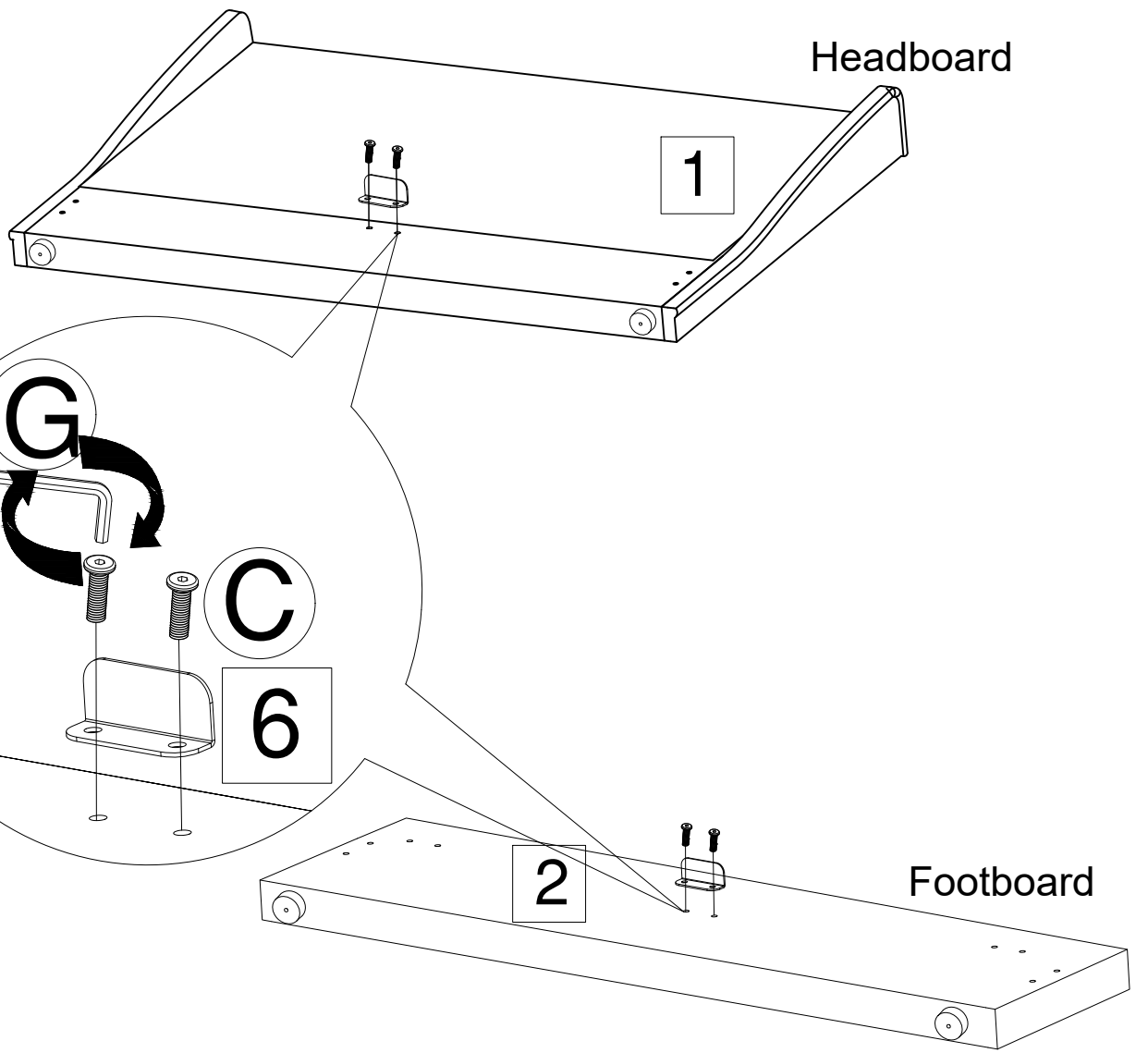
Please check you have all the fittings listed below with your product.

 A M8x45mm Bolt 16pcs	 B M8x30mm Bolt 16pcs	 C M8x16mm Bolt 12pcs	 D Plastic Gasket 8pcs	 E Flat Washer 12pcs
 F M8 Nut 16pcs	 G Allen Key 1pc	 H Spanner 1pc		



NB: there are additional spare Fittings included within the Fitting pack

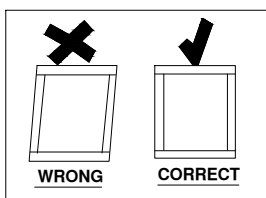
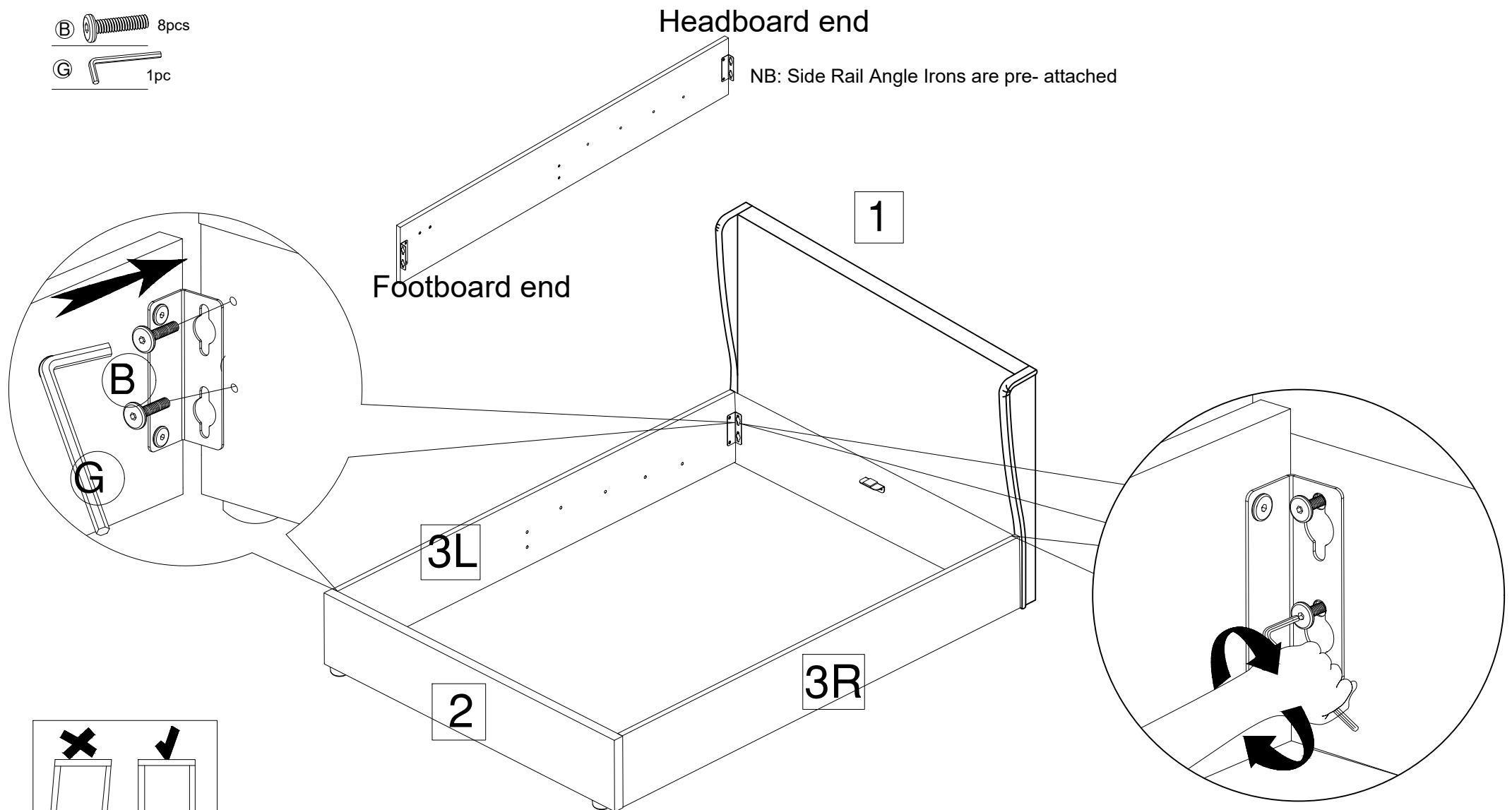
Step 1: Attaching the Angle Irons to the Headboard & Footboard

- C**  4pcs
- G**  1pc



Step 2: Attaching the Headboard & Footboard to the Side Rails

- B**  8pcs
- G**  1pc



NB: Before tightening the bolts, please ensure the bed frame is square

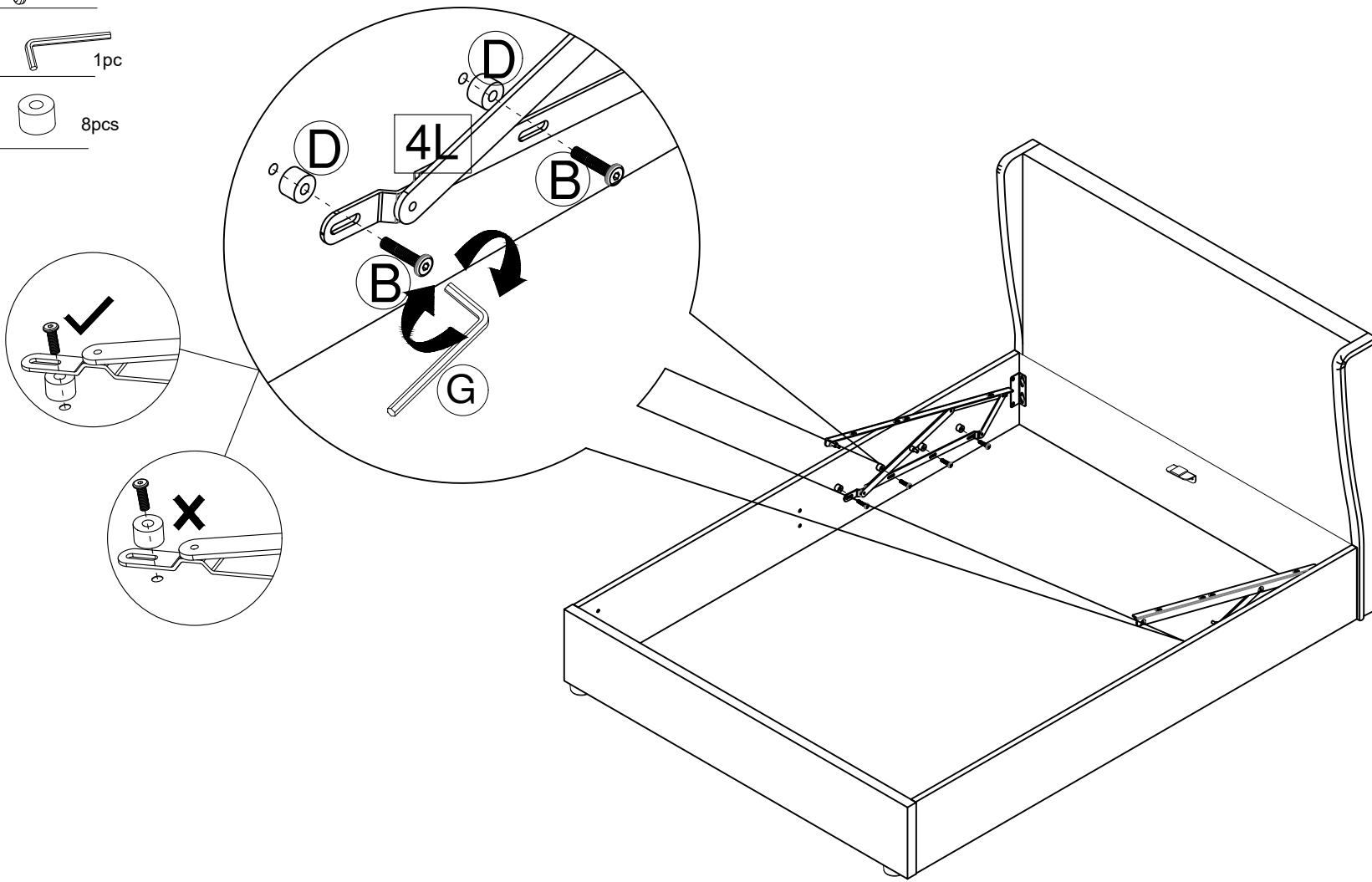
NB: Attach the bottom Bolt first

Step 3: Attaching the Side Rails & Lift Mechanisms

B 8pcs

G 1pc

D 8pcs

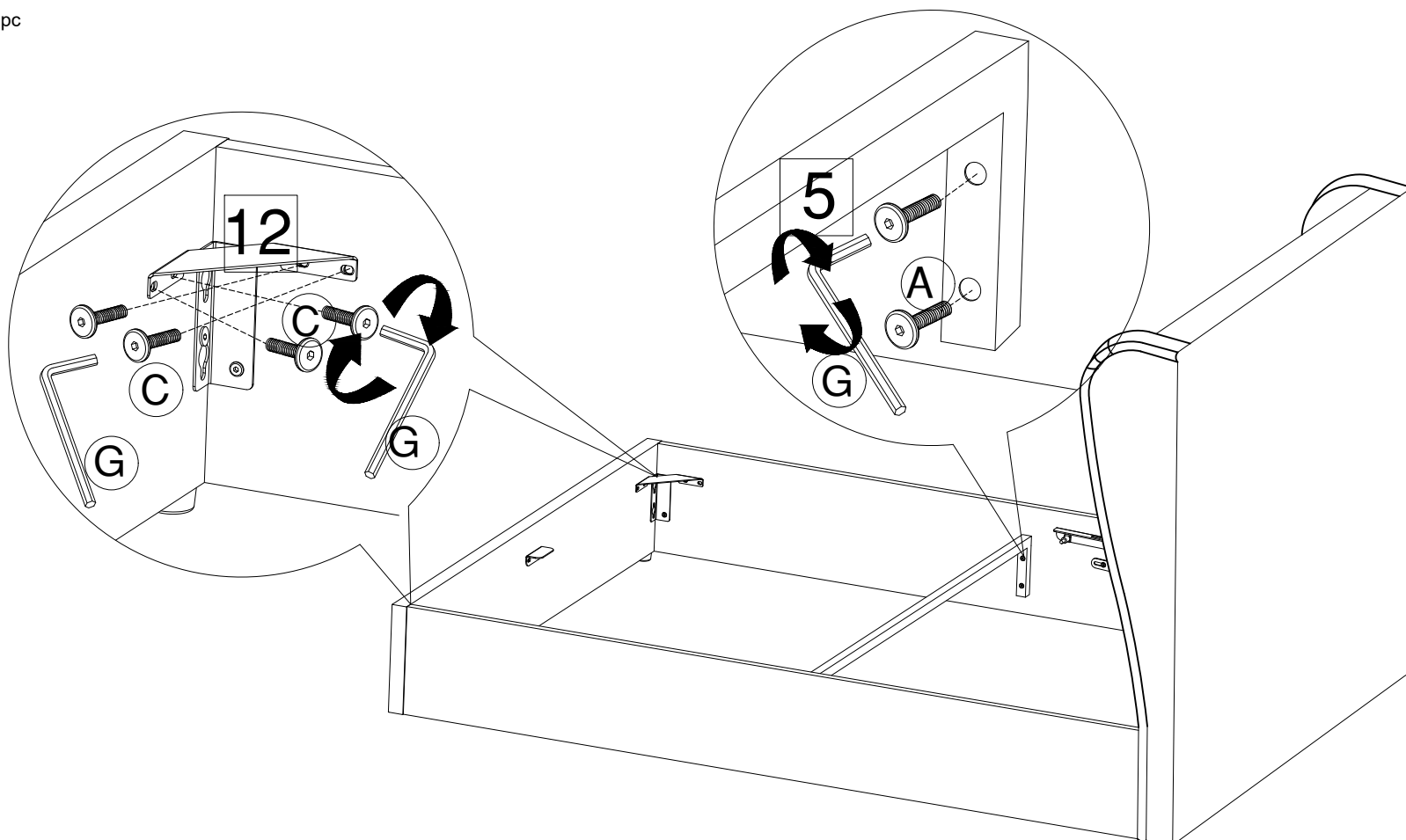


Step 4: Attaching the Central Support Rail & Angle Corner Brackets

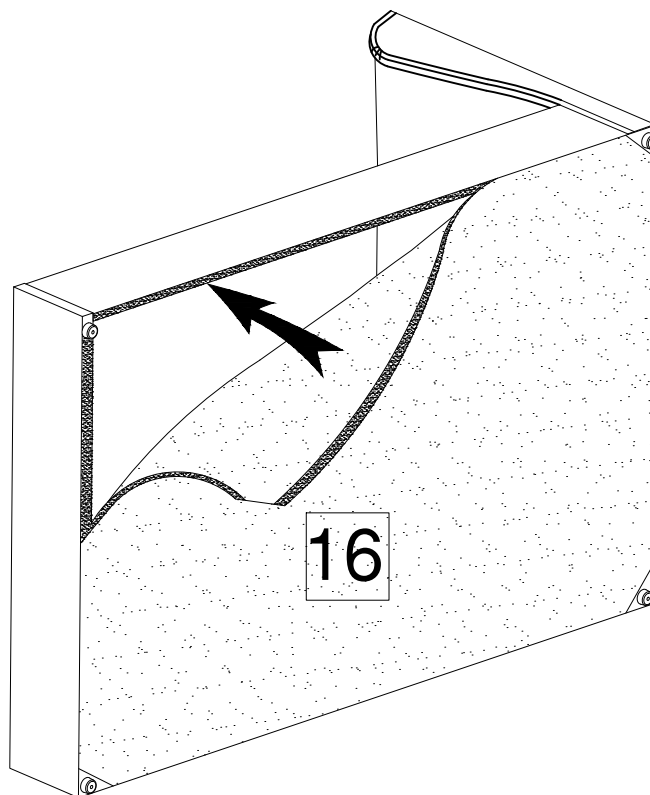
A 4pcs

C 8pcs

G 1pc

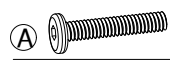

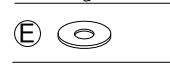




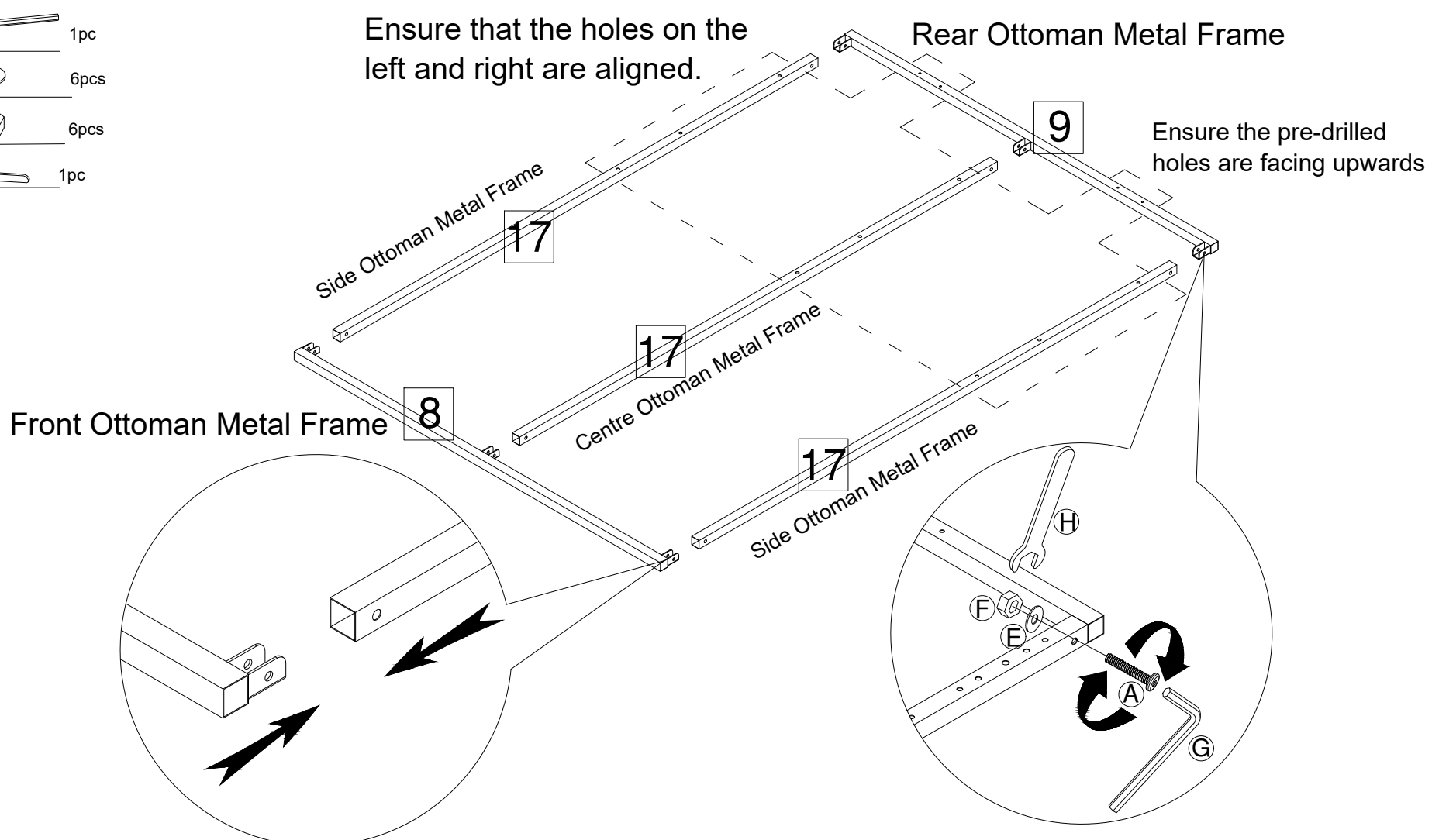
Step 5: Fabric Base Attachment



With an assistant, carefully lift both the Headboard & Footboard at the same time, do not let the bed frame twist. Lift and turn the bed frame on its side holding the bed upright for safety. Attach the Fabric Base (16) to bottom of the Side Rails, Headboard & Footboard with the velcro tape. Ensure the fabric is fixed evenly all round.



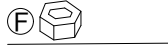

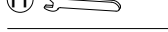
Step 6: Constructing the Ottoman Metal Frame

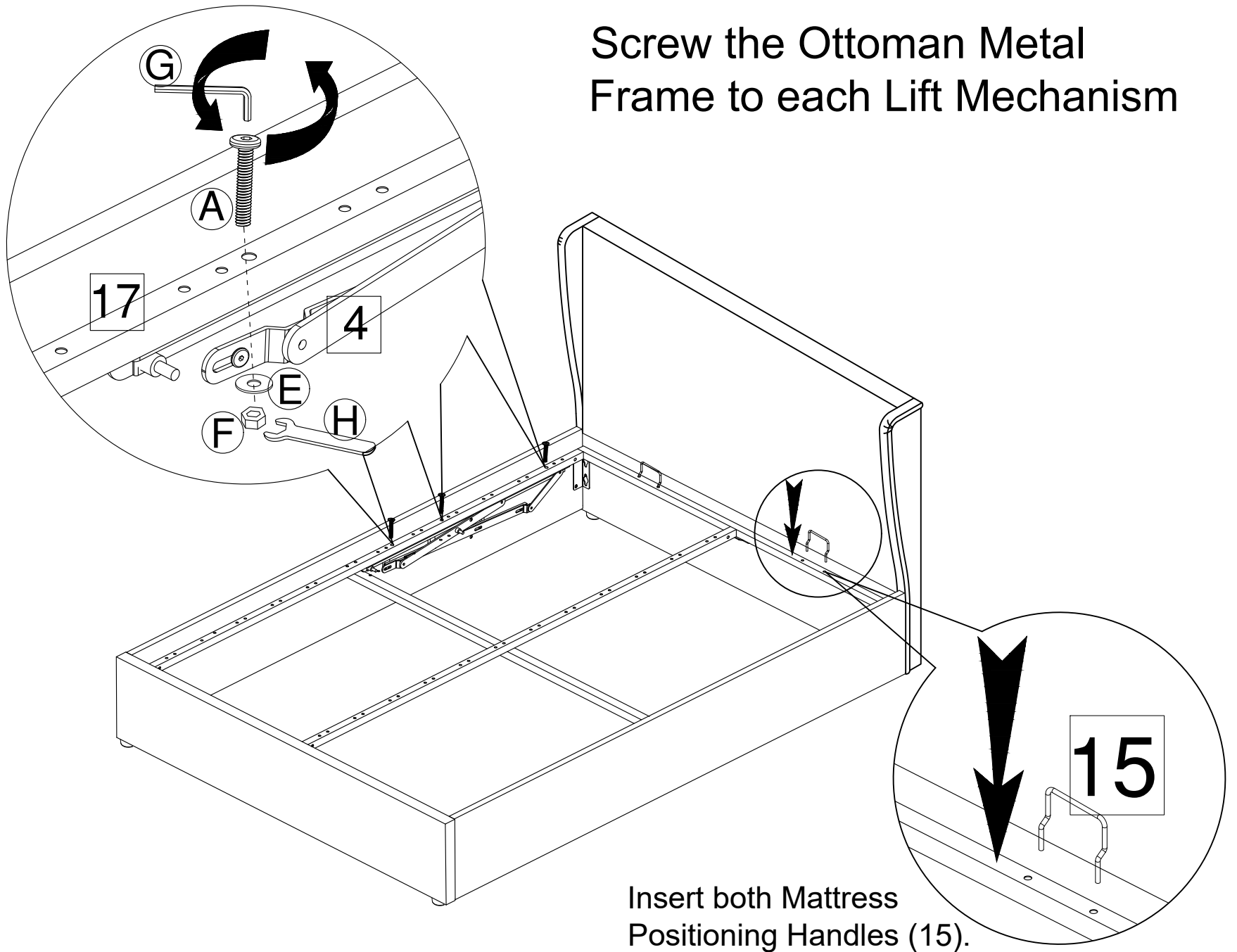
-  6pcs
-  1pc
-  6pcs
-  6pcs
-  1pc



Step 7:

Screw the Ottoman Metal Frame to each Lift Mechanism

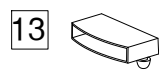

-  6pcs
-  6pcs
-  6pcs
-  1pc
-  1pc



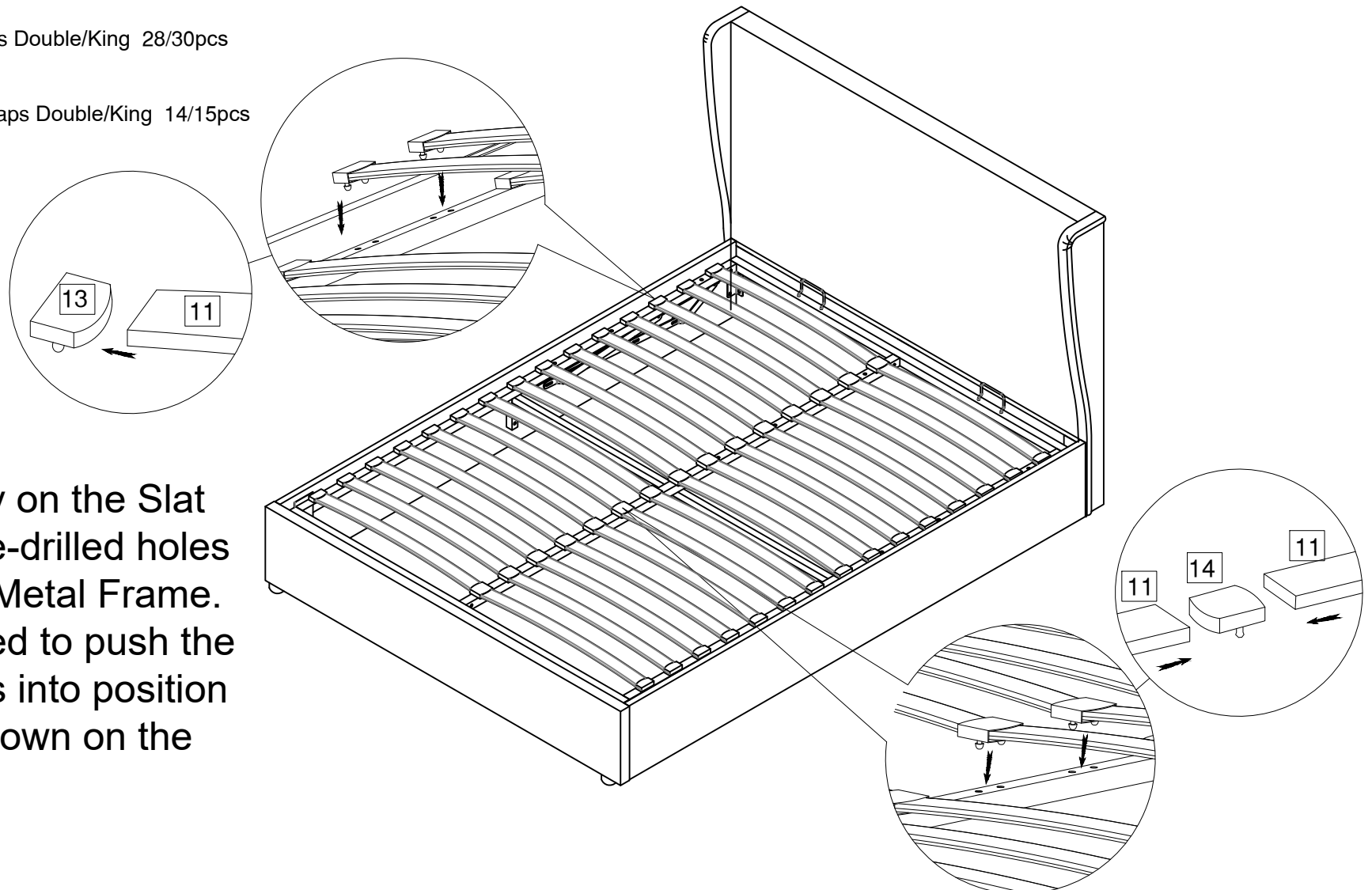
Insert both Mattress Positioning Handles (15).

Step 8:

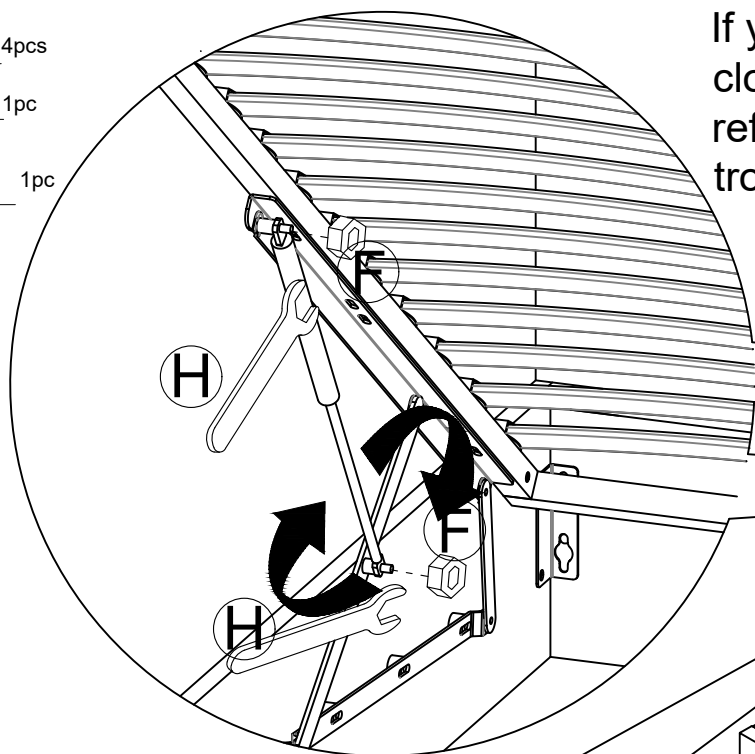
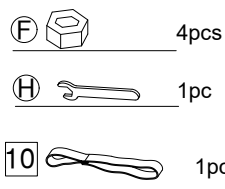
Attaching the Slat Caps to the Ottoman Bed Frame

-  Side Slat Caps Double/King 28/30pcs
-  Centre Slat Caps Double/King 14/15pcs

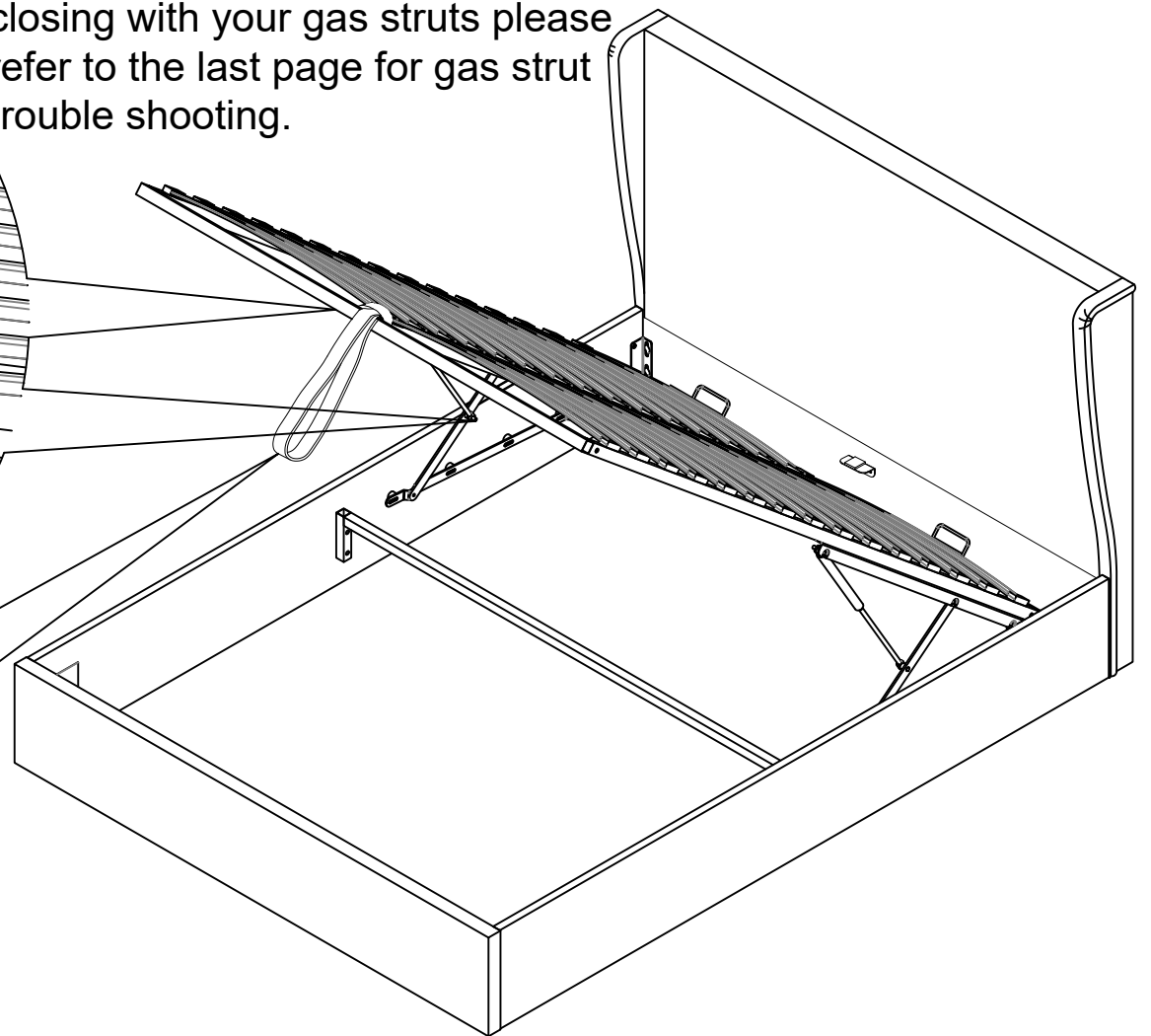
Push down firmly on the Slat Caps into the pre-drilled holes on the Ottoman Metal Frame. It is recommended to push the Centre Slat Caps into position before pushing down on the Side Slat Caps.



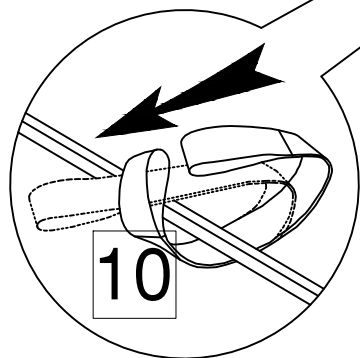
Step 9: Attaching the Gas Struts to Lift Mechanisms



If you are experiencing problems closing with your gas struts please refer to the last page for gas strut trouble shooting.



Attach the Strap (10) to the Center Ottoman Metal Frame, at the Footboard end.



Care and Maintenance

Here are some good tips to keep your new ottoman bed frame in tip-top condition.

Cleaning

To clean your new ottoman bed frame, we advise using a damp cloth if the fabric is dusty or a low suction vacuum. Do not use abrasive chemicals or bleach as this may damage the product.

Checking and moving

Periodically, we recommend you check that the screws and fixtures haven't become loose over time. To move your bed frame, we recommend lifting it where possible, as dragging or pushing it could cause damage to the legs or flooring.

Fabric

Please note, depending on the lighting, positioning and surroundings of your room, the shade of the fabric will appear differently. Over a period of time, the fabric may also lighten or fade slightly due to light exposure.

Gas strut/piston best use:

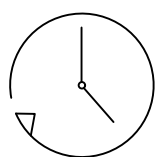
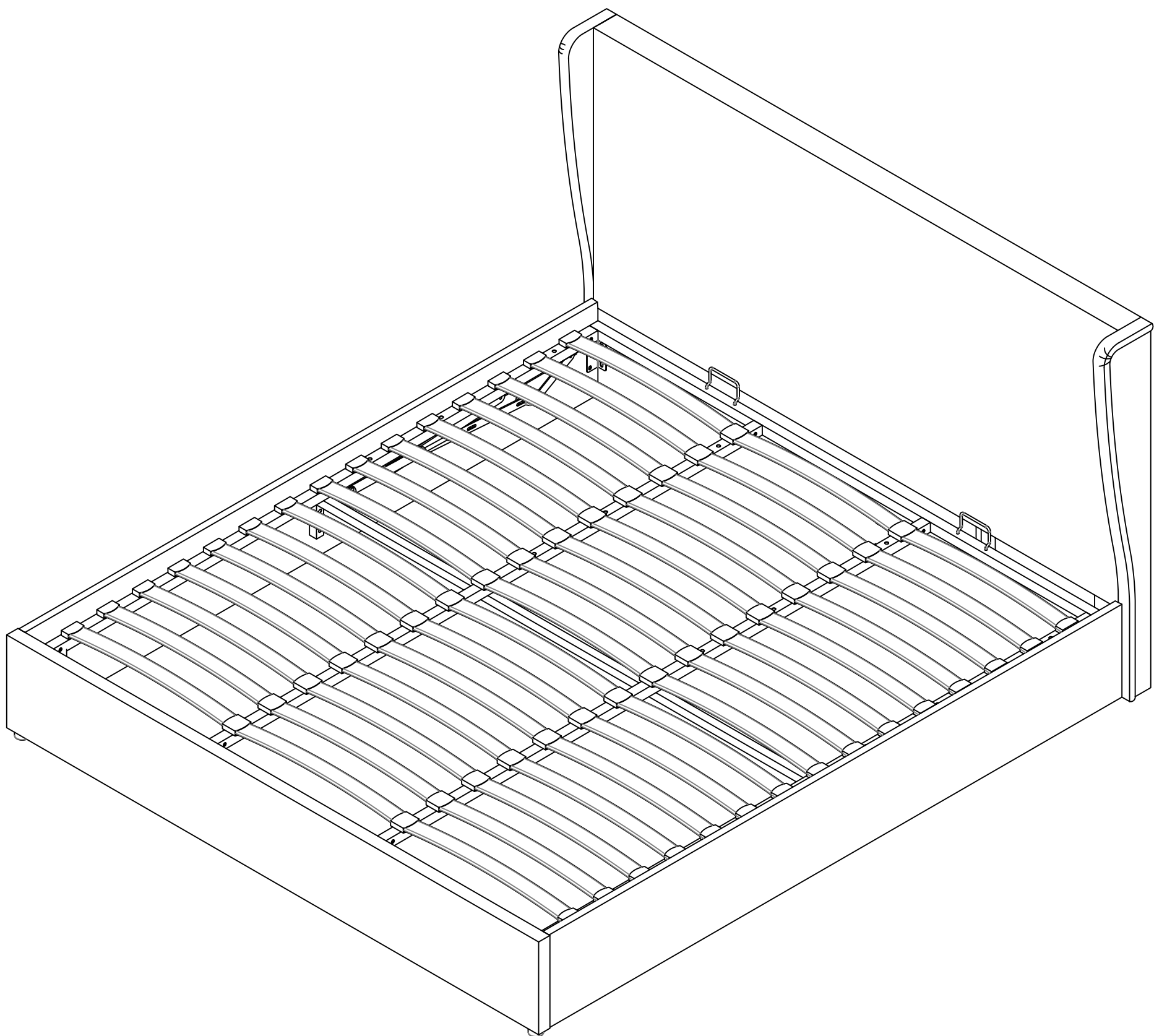
- Use caution when operating - always use two hands.
- Only attempt to close the ottoman frame, once the mattress has been placed on the frame.
- The thicker side of the cylinder should be above the thinner side- this will increase longevity of the part.
- Only attempt to close the frame with two hands from the footboard side, slowly increasing the pressure until the frame starts moving downwards.
- Closing the frame for the first time may be difficult, as the cylinder needs cycling and lubricating. After closing for the first time, open and close a further 5 times.
- If the frame is stuck open and unable to be closed, we recommend getting assistance from a second person, both applying equal pressure from each side of the footboard until the frame closes, this may require more force than expected. Stop applying pressure if the metal frame begins to warp – contact customer services at this point.

Top tips:

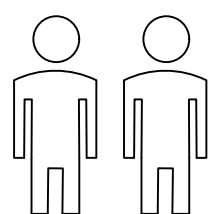
- Do not attempt to close the gas strut/piston by hand, it can only be compressed once added to the frame
- Ensure the frame can move freely before adding the gas struts/pistons
- Check the frame is fully square, being offset can cause the frame to catch on the side rail

Berkeley Ottoman Bed Frame

Super King size



Up to 2 hour approx
assembly time



Two person
assembly

Important

Assembly Tip

Before you begin, it's best to identify all of the parts and fittings to build your ottoman bed frame. We advise laying these out on the floor to check you have everything, and to familiarise yourself with all of the parts and fittings before building.

Top Tip

We recommend that you build your new ottoman bed frame in the room you'd like it to be located. This will help prevent any risk of damage to the frame whilst moving it.

Safety and Care

It's important to ensure children and animals are kept away from the assembly area, as there are small components used in this bed frame which could present a choking hazard. All plastic and wrapping materials should also be kept away from children and animals to prevent any risk of suffocation.

Help and Support

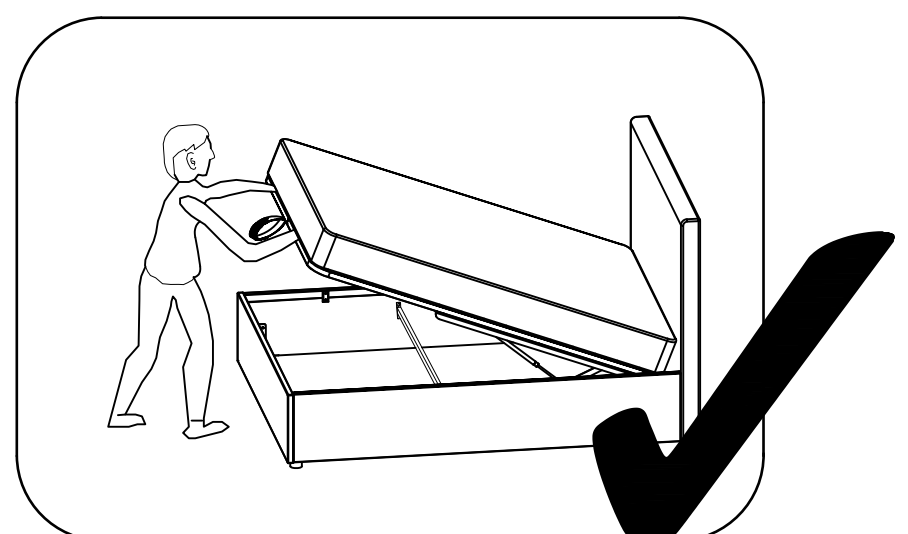
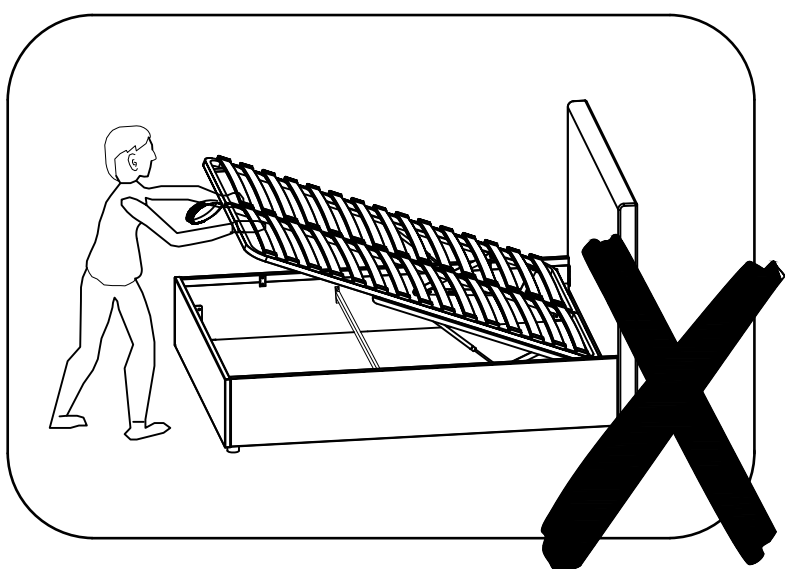
Please contact our customer service team on 0113 519 0311 if you have any questions or issues with your purchase.

Recycling

Please ensure that packaging is disposed of in a safe and environmentally friendly way, and recycle where possible. Please keep your assembly instructions safe to refer back to in the future.

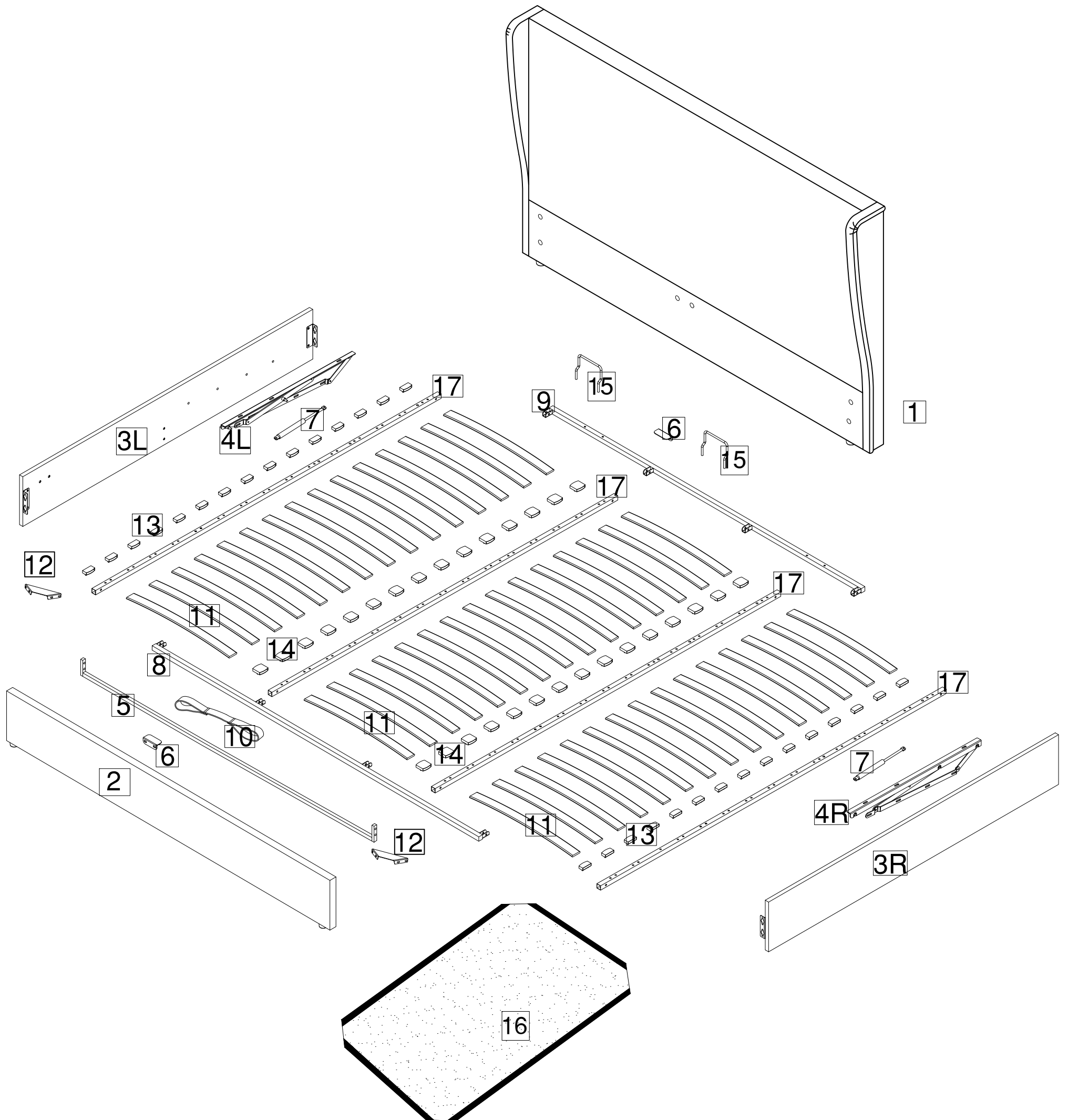
Operating Your Ottoman Bed Frame Safely

- Caution, this ottoman bed frame uses a pressurised mechanism.
- Please ensure children and animals are kept away from the ottoman bed frame when operating the mechanism.
- Use caution when operating, and always use two hands at arm's length.
- You must always ensure the mattress is on the ottoman bed frame before lifting the mechanism. Failure to do so may result in injury or damage to the mechanism.
- If removing the mattress, make sure the ottoman bed frame is secured as it could flip open.
- Only use the storage compartment when the ottoman bed frame is fully in the upright position.
- Do not remain on the ottoman bed frame whilst the lifting mechanism is in use.
- Beware of entrapment. Keep both hands clear of the mechanism when operating.
- When lifting the ottoman bed frame, remove all bedding except the fitted sheet.
- Always use the strap to lift or lower the ottoman metal frame. Close the ottoman metal frame by pushing down firmly with both hands towards the centre of the bed frame with equal pressure.
- No children or animals should be left unattended when the ottoman bed frame is in the upright position.
- When fully assembled, raise and lower the ottoman metal frame 4/5 times to ensure the gas pistons are fully lubricated.
- Ensure to re-tighten all nuts and bolts within the ottoman bed frame after the first two weeks of use.



Parts

Before you begin building your ottoman bed frame, please take a moment to read through the instructions and make sure that you have all the relevant parts listed on the parts check list.

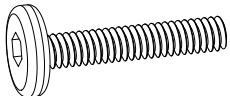
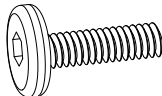
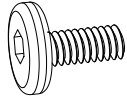
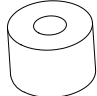
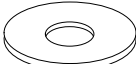
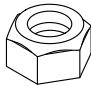

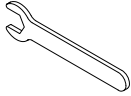


PART CHECK LIST

NO.	Part list	QTY	Box No	NO.	Part list	QTY	Box No
1	Headboard	1pc	Box 1	9	Rear Ottoman Metal Frame	1pc	Box 2
2	Footboard	1pc	Box 2	10	Strap	1pc	Box 2
3L	Side Rail-LH	1pc	Box 2	11	Slat	45pcs	Box 2
3R	Side Rail-RH	1pc	Box 2	12	Angle Corner Bracket	2pcs	Box 2
4L	Lift Mechanism - LH	1pc	Box 2	13	Side Slat Cap	30pcs	Box 2
4R	Lift Mechanism - RH	1pc	Box 2	14	Centre Slat Cap	30pcs	Box 2
5	Central Support Rail	1pc	Box 2	15	Mattress Positioning Handle	2pcs	Box 2
6	Angle Iron	2pcs	Box 2	16	Fabric Base	1pc	Box 2
7	Gas Strut	2pcs	Box 2	17	Side and Centre Ottoman Metal Frame	4pcs	Box 2
8	Front Ottoman Metal Frame	1pc	Box 2				



Fittings

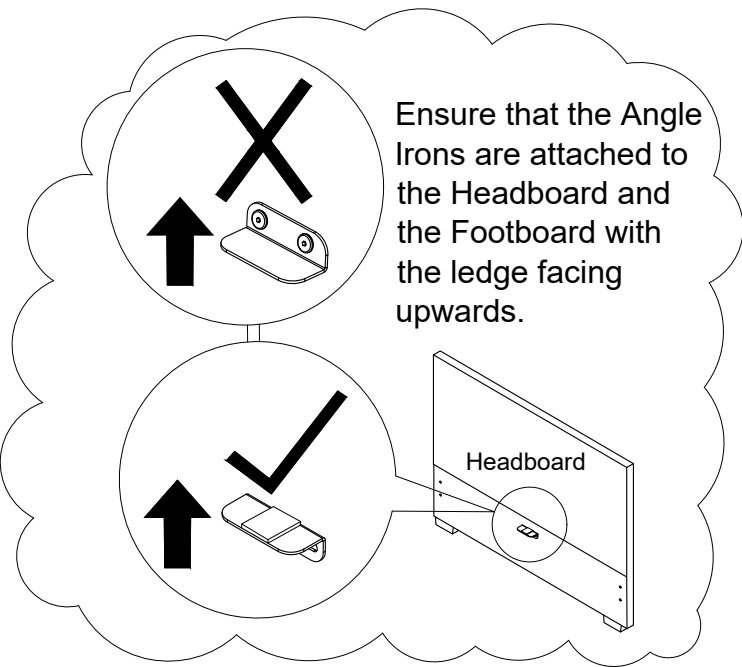
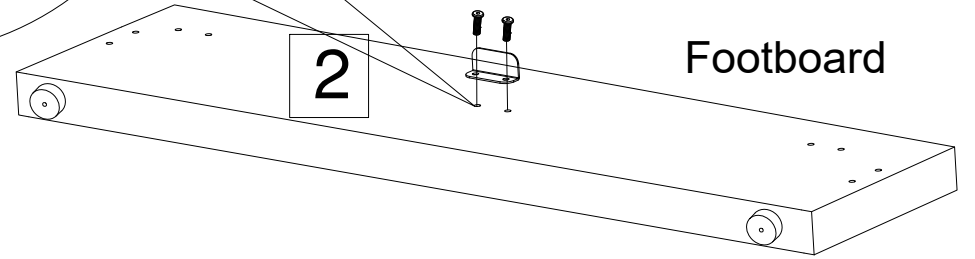
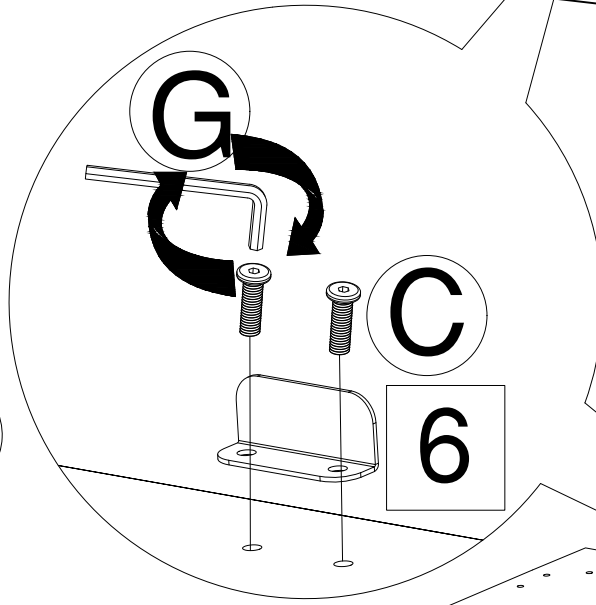
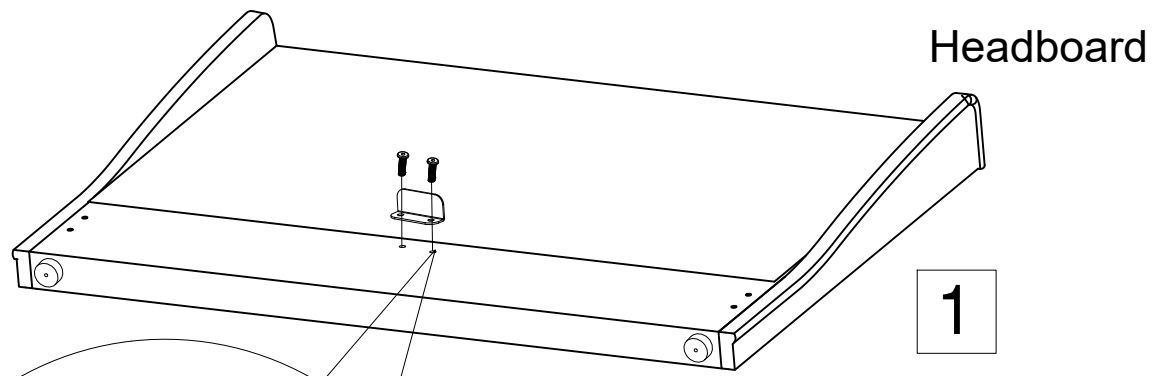
Please check you have all the fittings listed below with your product.

 Ⓐ M8x45mm Bolt 18pcs	 Ⓑ M8x30mm Bolt 16pcs	 Ⓒ M8x16mm Bolt 12pcs	 Ⓓ Plastic Gasket 8pcs	 Ⓔ Flat Washer 14pcs
 Ⓕ M8 Nut 18pcs	 Ⓖ Allen Key 1pc	 Ⓗ Spanner 1pc		



NB: there are additional spare Fittings included within the Fitting pack

Step 1: Attaching the Angle Irons to the Headboard & Footboard

- C**  4pcs
- G**  1pc

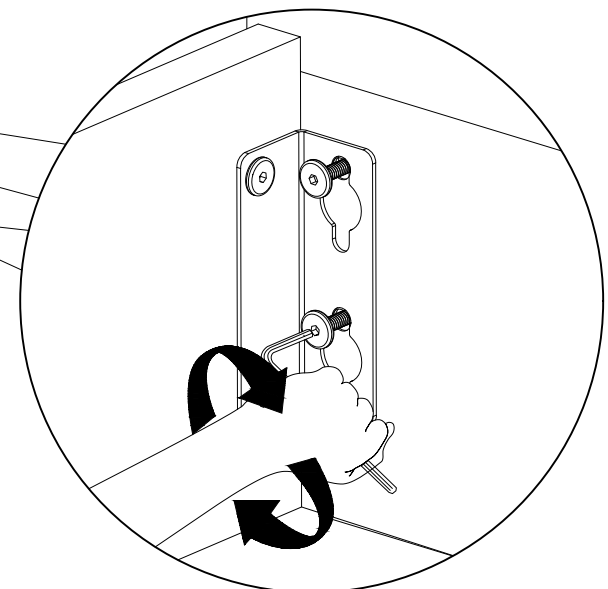
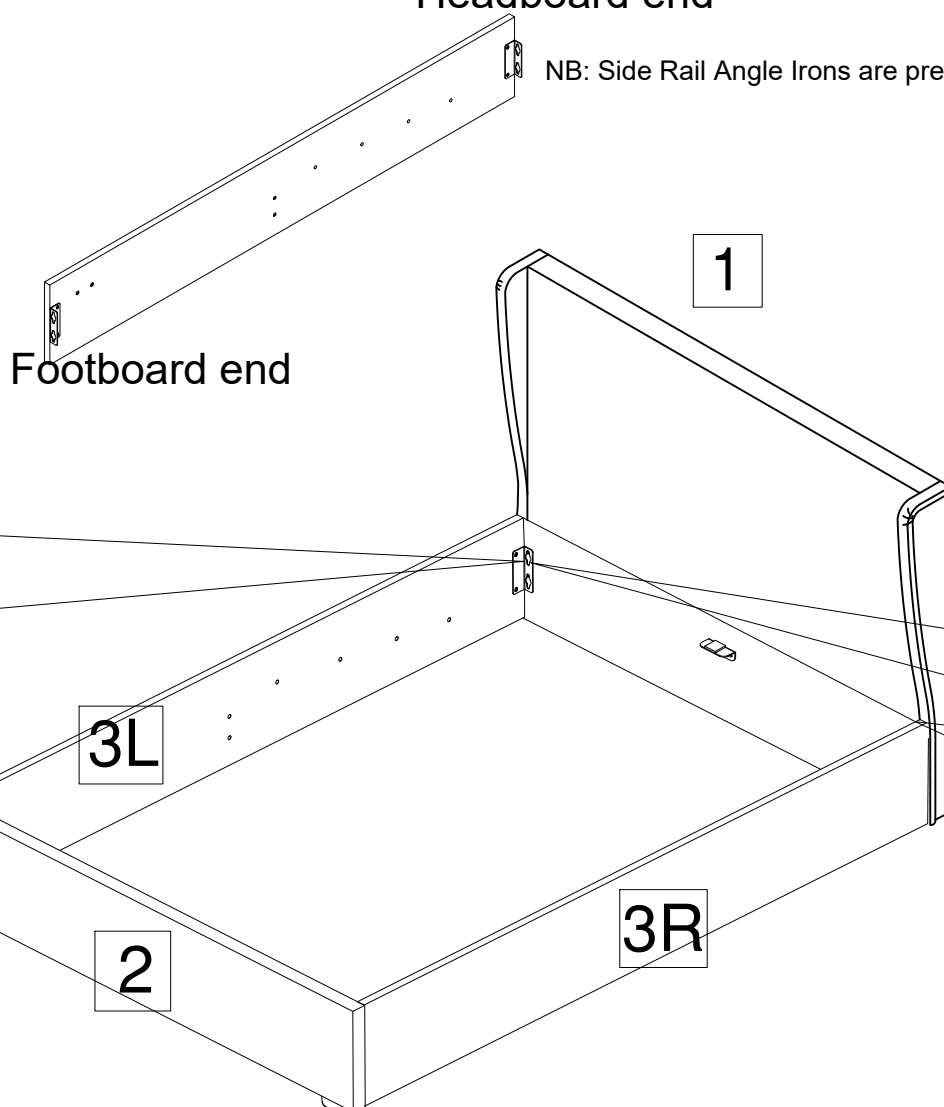


Step 2: Attaching the Headboard & Footboard to the Side Rails

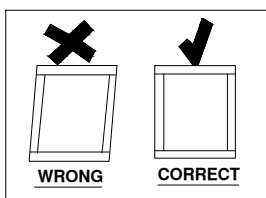
- B**  8pcs
- G**  1pc

Headboard end

NB: Side Rail Angle Irons are pre- attached

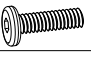



NB: Attach the bottom Bolt first



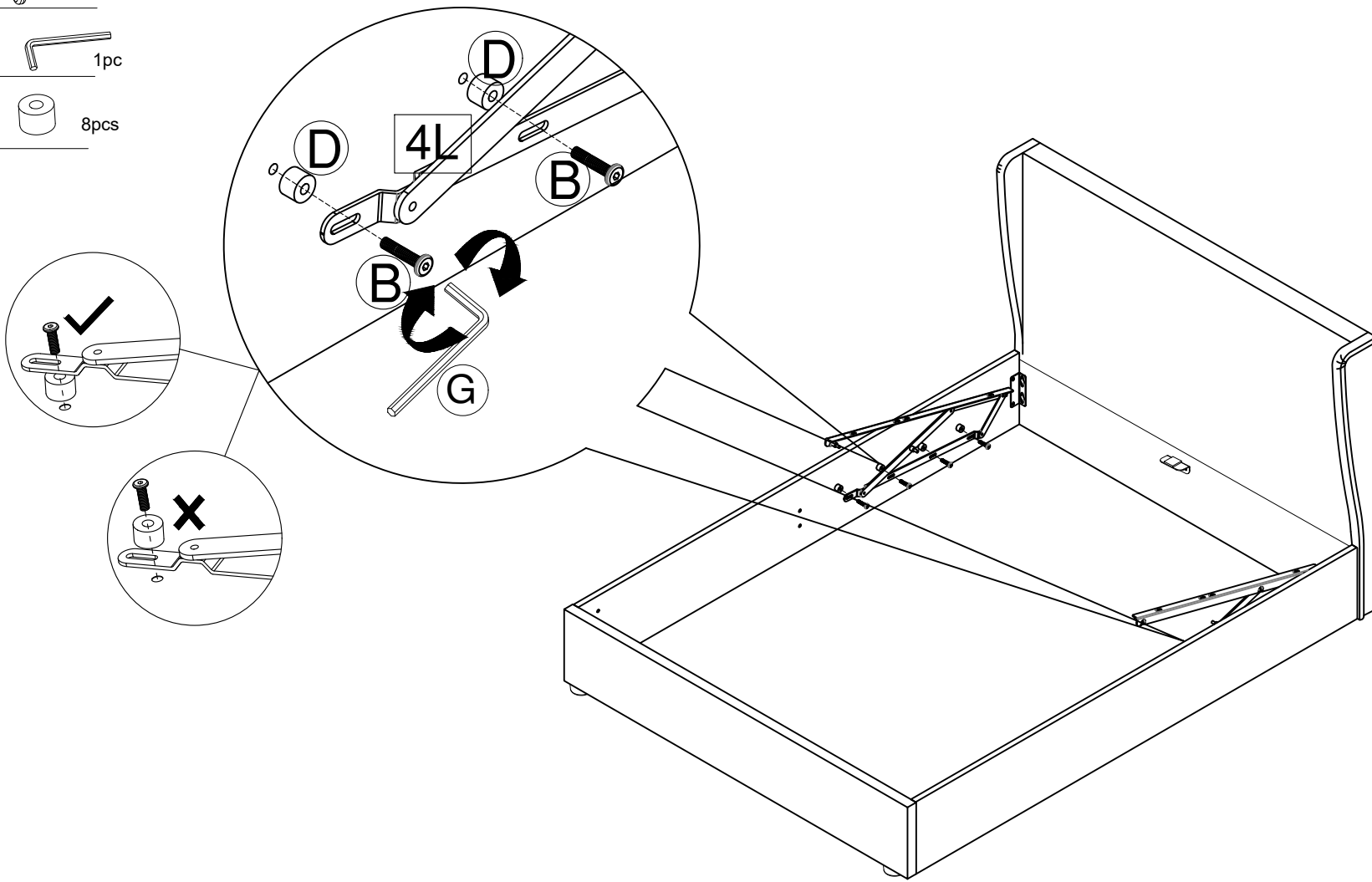
NB: Before tightening the bolts, please ensure the bed frame is square

Step 3: Attaching the Side Rails & Lift Mechanisms

B  8pcs

G  1pc

D  8pcs

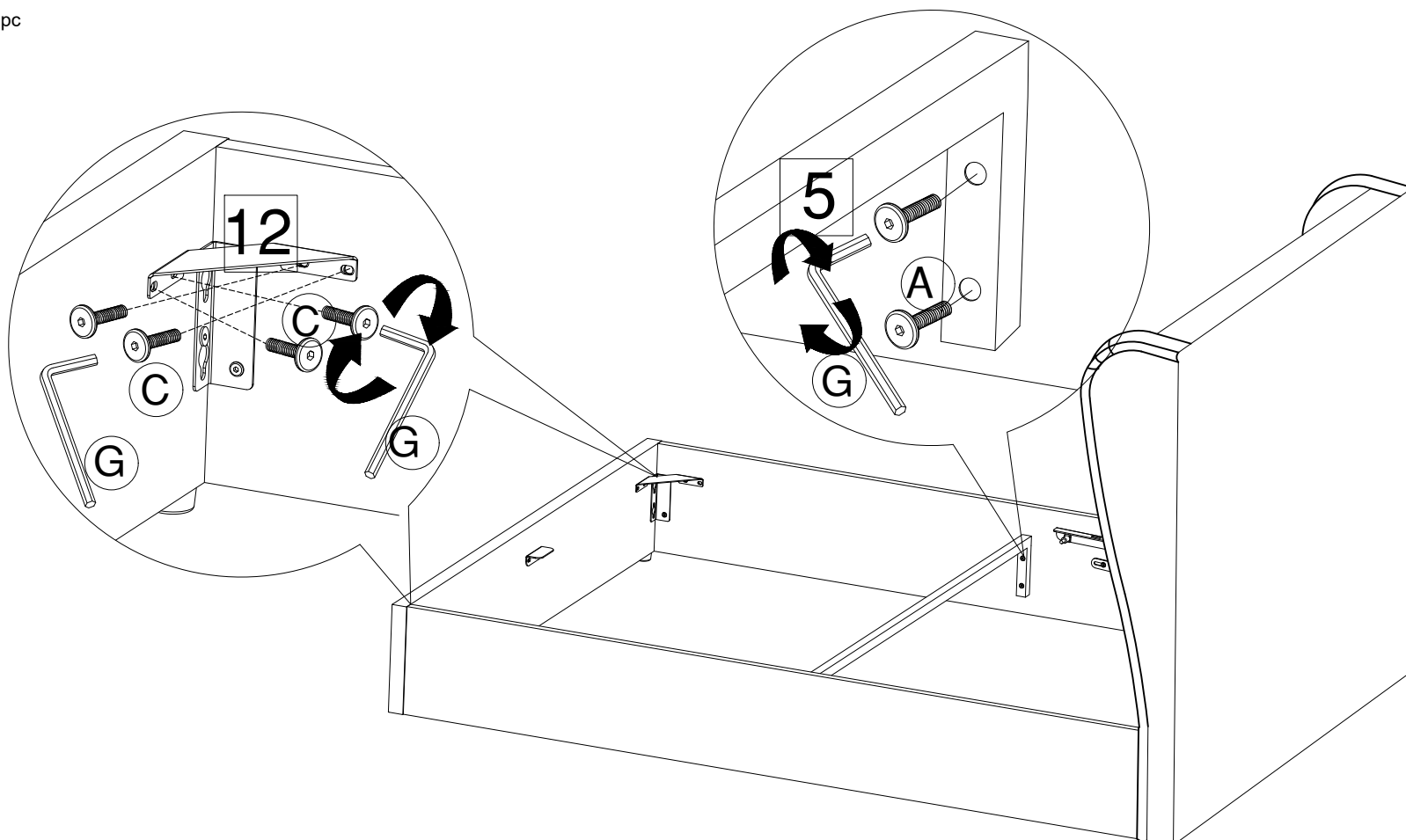


Step 4: Attaching the Central Support Rail & Angle Corner Brackets

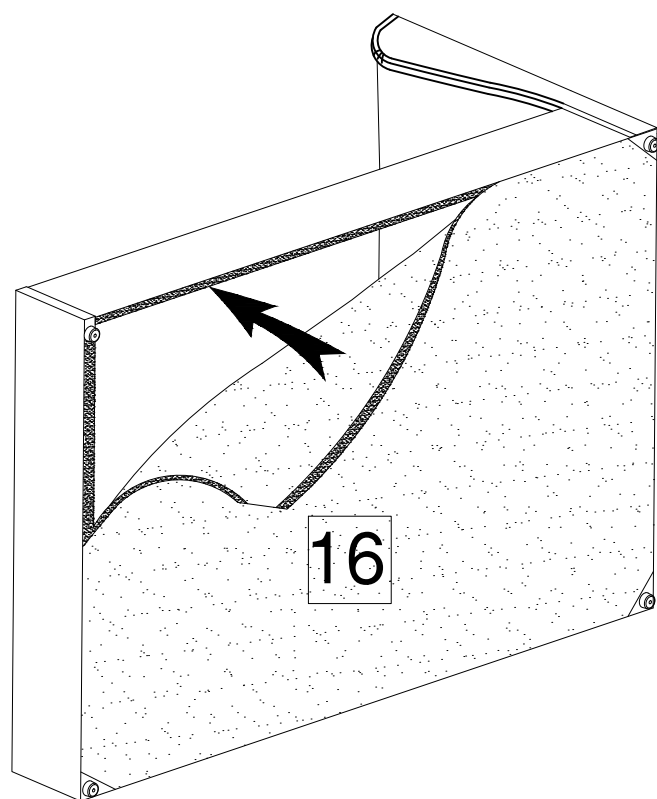
A  4pcs

C  8pcs

G  1pc

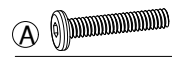






Step 5: Fabric Base Attachment

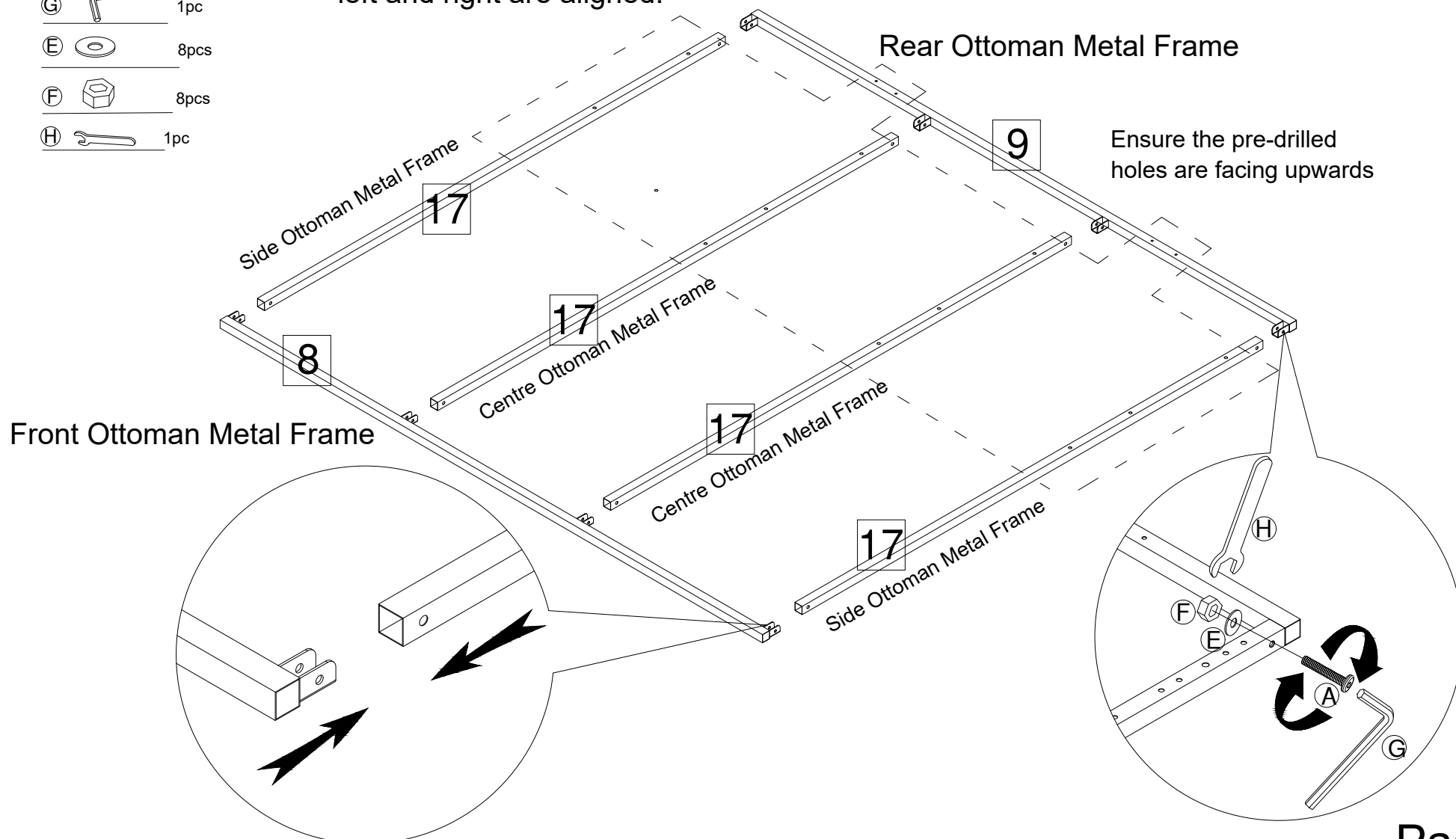


With an assistant, carefully lift both the Headboard & Footboard at the same time, do not let the bed frame twist. Lift and turn the bed frame on its side holding the bed upright for safety. Attach the Fabric Base (16) to bottom of the Side Rails, Headboard & Footboard with the velcro tape. Ensure the fabric is fixed evenly all round.





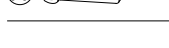
Step 6: Constructing the Ottoman Metal Frame

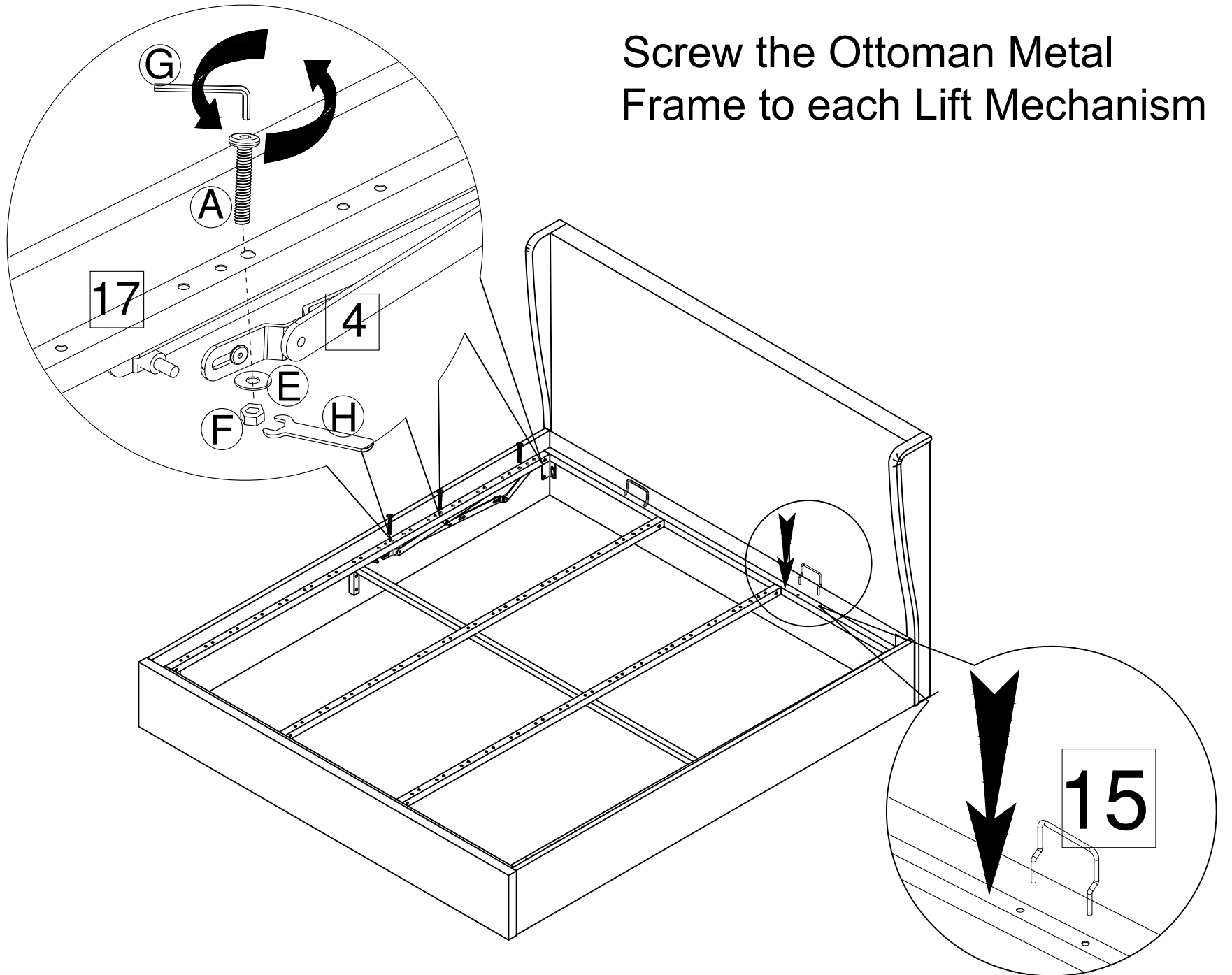
- A**  8pcs
- G**  1pc
- E**  8pcs
- F**  8pcs
- H**  1pc

Ensure that the holes on the left and right are aligned.



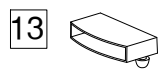
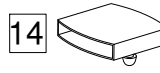
Step 7:

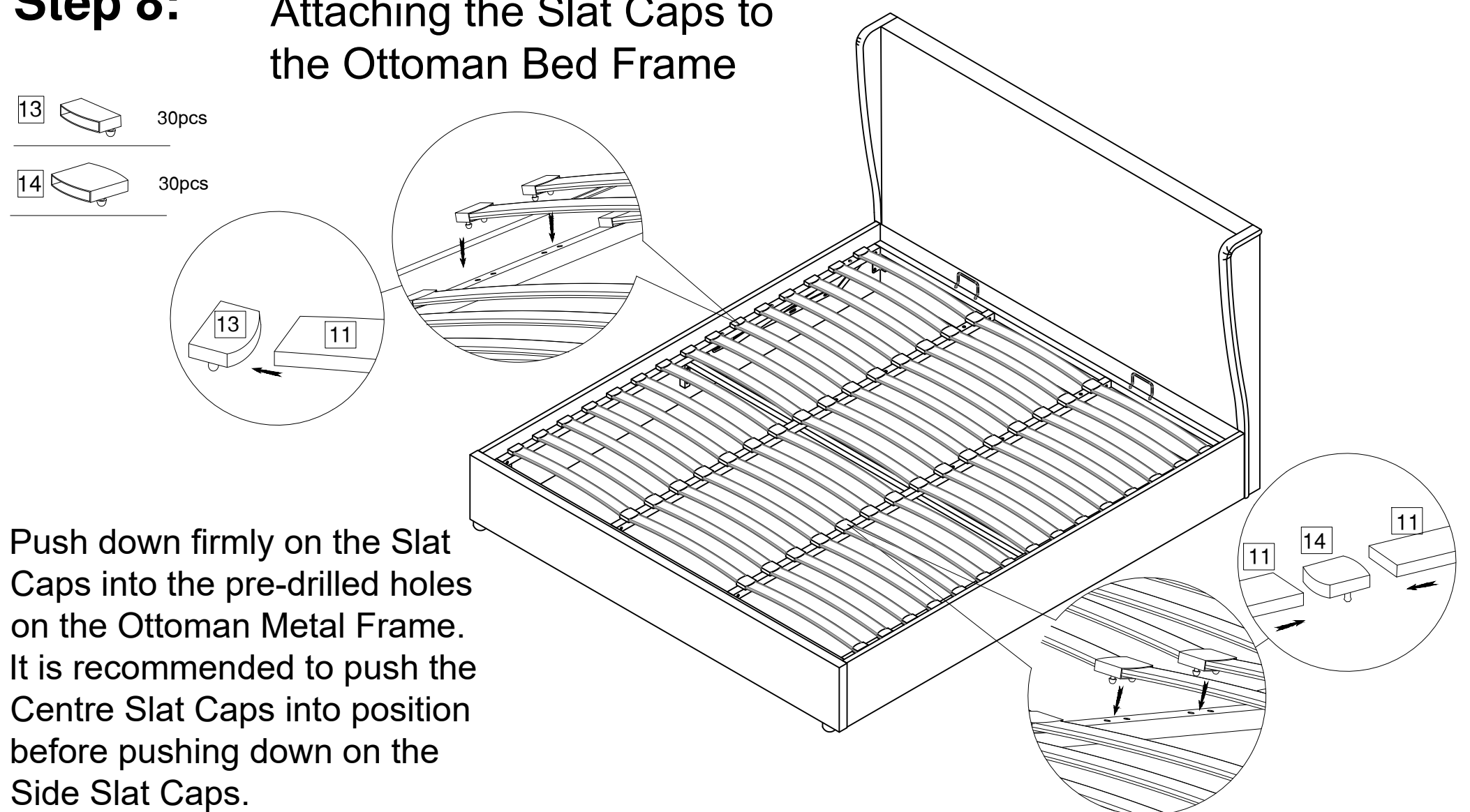
-  6pcs
-  6pcs
-  6pcs
-  1pc
-  1pc



Step 8:

Attaching the Slat Caps to the Ottoman Bed Frame

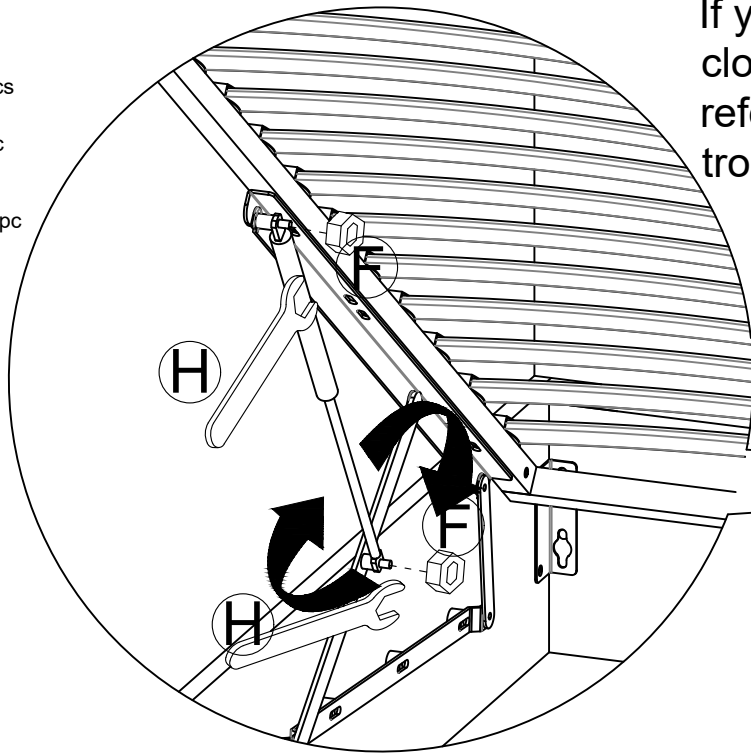
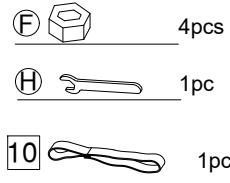
-  30pcs
-  30pcs



Push down firmly on the Slat Caps into the pre-drilled holes on the Ottoman Metal Frame. It is recommended to push the Centre Slat Caps into position before pushing down on the Side Slat Caps.

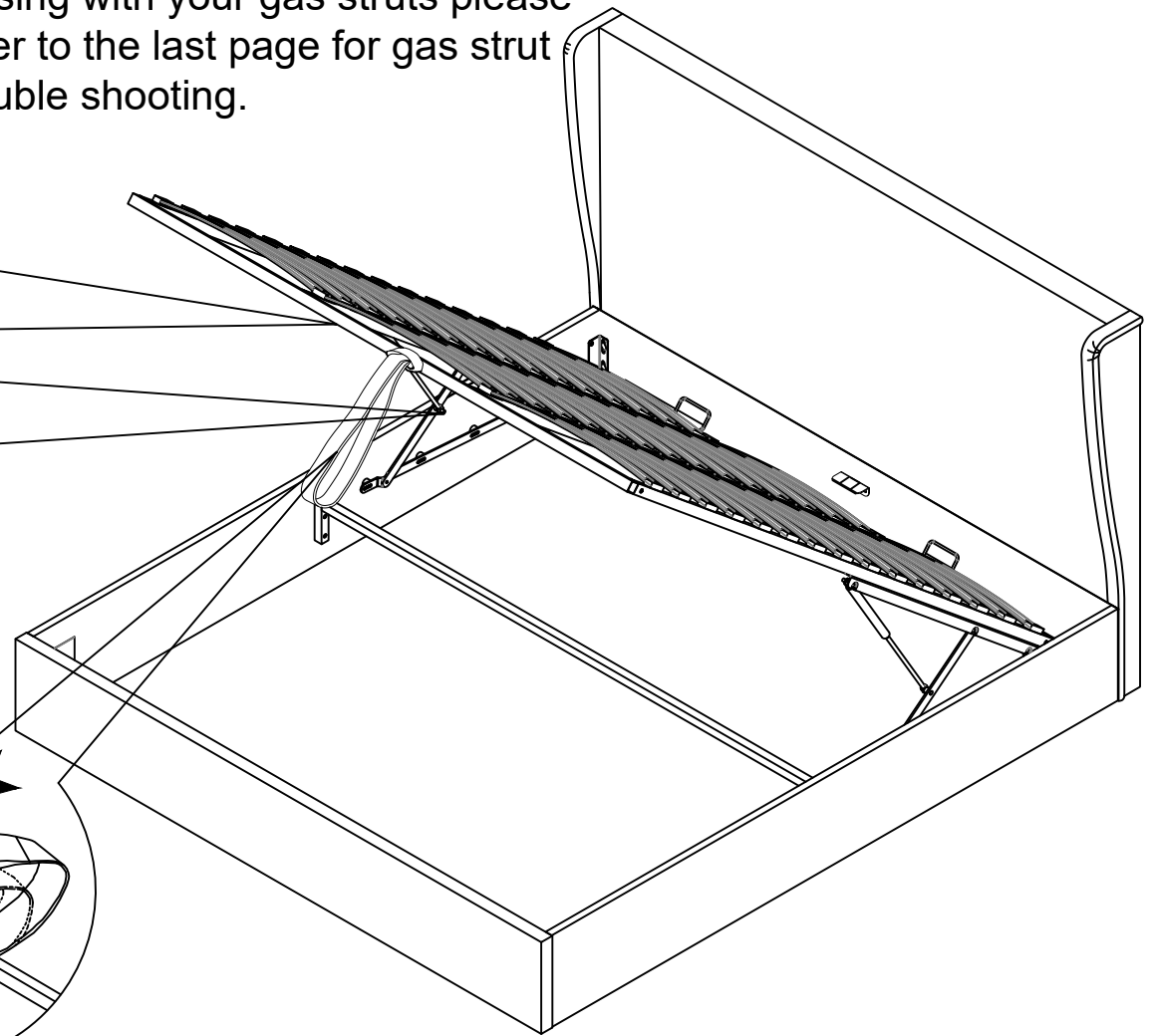
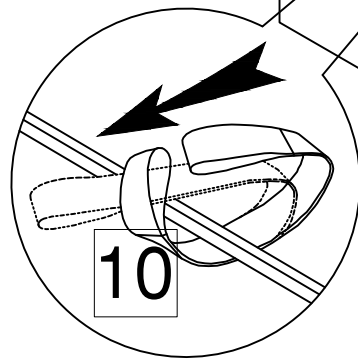
Step 9:

Attaching the Gas Struts to Lift Mechanisms



If you are experiencing problems closing with your gas struts please refer to the last page for gas strut trouble shooting.

Attach the Strap (10) to the Center Ottoman Metal Frame, at the Footboard end.



Care and Maintenance

Here are some good tips to keep your new ottoman bed frame in tip-top condition.

Cleaning

To clean your new ottoman bed frame, we advise using a damp cloth if the fabric is dusty or a low suction vacuum. Do not use abrasive chemicals or bleach as this may damage the product.

Checking and moving

Periodically, we recommend you check that the screws and fixtures haven't become loose over time. To move your bed frame, we recommend lifting it where possible, as dragging or pushing it could cause damage to the legs or flooring.

Fabric

Please note, depending on the lighting, positioning and surroundings of your room, the shade of the fabric will appear differently. Over a period of time, the fabric may also lighten or fade slightly due to light exposure.

Gas strut/piston best use:

- Use caution when operating - always use two hands.
- Only attempt to close the ottoman frame, once the mattress has been placed on the frame.
- The thicker side of the cylinder should be above the thinner side- this will increase longevity of the part.
- Only attempt to close the frame with two hands from the footboard side, slowly increasing the pressure until the frame starts moving downwards.
- Closing the frame for the first time may be difficult, as the cylinder needs cycling and lubricating. After closing for the first time, open and close a further 5 times.
- If the frame is stuck open and unable to be closed, we recommend getting assistance from a second person, both applying equal pressure from each side of the footboard until the frame closes, this may require more force than expected. Stop applying pressure if the metal frame begins to warp – contact customer services at this point.

Top tips:

- Do not attempt to close the gas strut/piston by hand, it can only be compressed once added to the frame
- Ensure the frame can move freely before adding the gas struts/pistons
- Check the frame is fully square, being offset can cause the frame to catch on the side rail