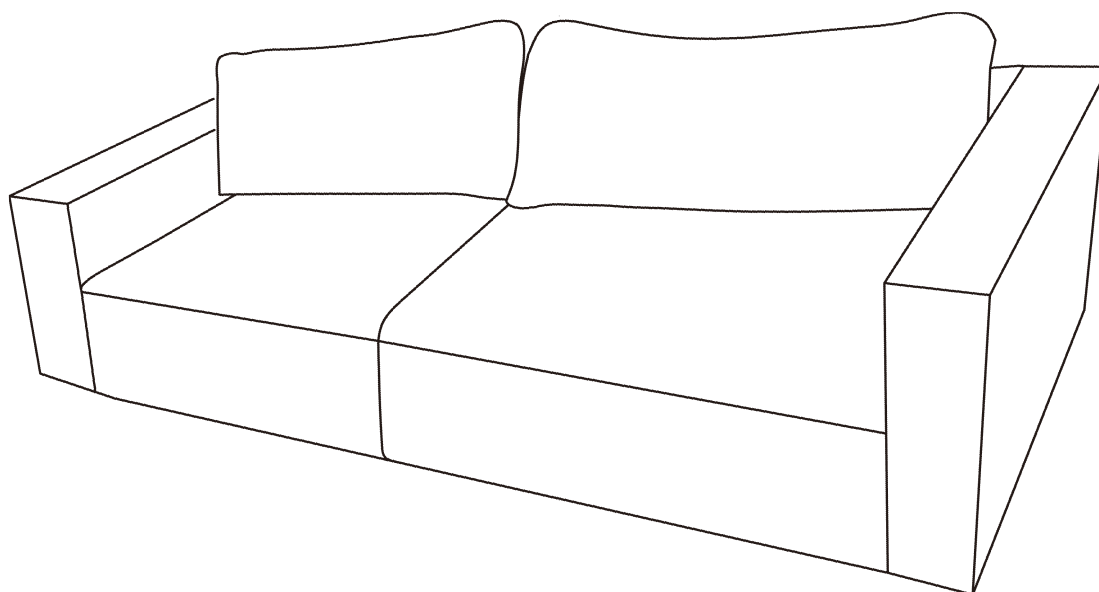


# DUSK.COM

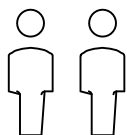
LIVING | BEDROOM | DINING

## Brooklyn Sofa Bed

Box dimensions: Box1 W103 x D87 x H81(cm)  
Box2 W103 x D87 x H81(cm)



THIS INSTRUCTION BOOKLET CONTAINS IMPORTANT SAFETY INFORMATION.  
PLEASE READ AND KEEP FOR FUTURE REFERENCE.



15 minutes approx  
assembly time

Two adults  
assembly required

This product is intended for domestic use only, not for commercial purposes.

# IMPORTANT

## ASSEMBLY TIP

Before you begin, it's best to identify all of the parts and fittings to build your sofa frame. We advise laying these out on the floor to check you have everything, and to familiarise yourself with all of the parts and fittings before building.

## TOP TIP

We recommend that you assemble the sofa in the room you'd like it to be located. This will help prevent any risk of damage to the frame whilst moving it.

## SAFETY AND CARE

It's important to ensure children and animals are kept away from the assembly area, as there are small components used in this product which could present a choking hazard. All plastic and wrapping materials should also be kept away from children and animals to prevent any risk of suffocation.

## HELP AND SUPPORT

Please contact our customer service team on 0113 519 0311 if you have any questions or issues with your purchase.

## RECYCLING

Please ensure that packaging is disposed of in a safe and environmentally friendly way, and recycle where possible. Please keep your assembly instructions safe to refer back to in the future.

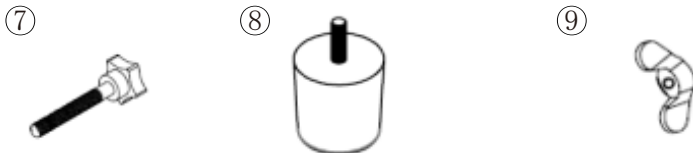
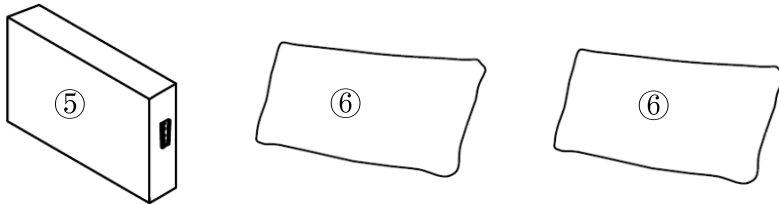
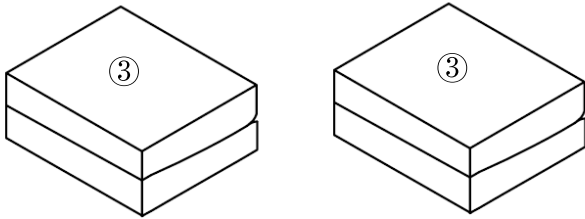
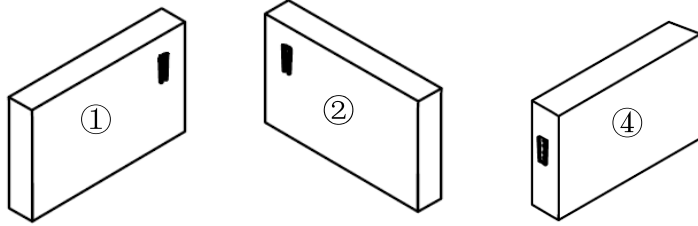
# CARE AND MAINTENANCE

- 1.Clean with your vacuum curtain attachment (the one with a lint-catching fabric strip) or a lint roller to stop dust build up. Do this regularly to keep the sofa in its best condition.
- 2.Regularly plump the backrest pillows by shaking and squeezing to even out the filling.
- 3.Try to keep your sofa away from direct sunlight, and not too close to heat sources, as this can cause fading over time. Do not allow the sofa to make direct contact with any radiators or sources of heat.
- 4.Wipe up the spillages as quickly as possible by gently dabbing or blotting with a dry cloth until the mark fades away. Some tougher spills, such as oil and grease, can be more persistent and leave a stain. In this case, it's best to contact a specialist cleaning service.
- 5.Do not drag the sofa. When moving, lift the sofa off the floor.
- 6.Keep children and pets away from the assembly area and any packaging, small parts could choke is swallowed.
- 7.Do not sit on the arms of the sofa.
- 8.Do not jump on the sofa.
- 9.Only use the sofa on a flat and level surface.
- 10.Dispose of all packaging carefully and responsibly - recycle where possible.
- 11.Avoid sharp items such as toys, jean rivets, buckles etc

# Parts checklist

Please check you have all the parts listed below with your product:

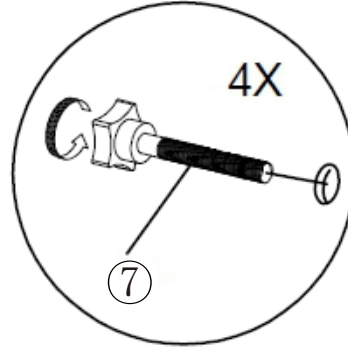
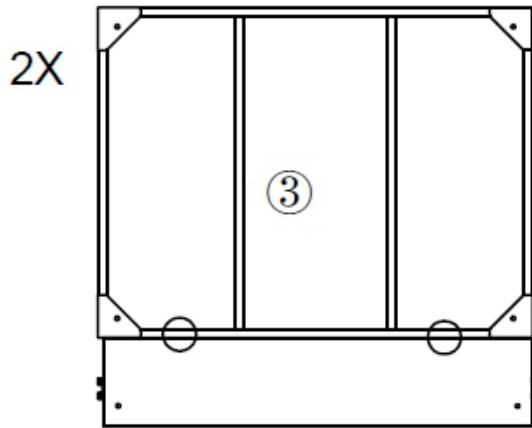
Do not discard any of the packaging until you have checked that you have all the parts and the pack of fixings.



NO	Parts List	Qty	BoxNO
1	LeftArmrest	1pc	Box1
3	SeatCushion	1pc	
4	LeftBackrest	1pc	
6	BackPillow	1pc	
7	M8*65Bolt	6pcs	
8	φ5*h4cmLeg	9pcs	
9	Nut(M8)	1pc	Box2
2	RightArmrest	1pc	
3	SeatCushion	1pc	
5	RightBackrest	1pc	
6	BackPillow	1pc	
7	M8*65Bolt	5pcs	
8	φ5*h4cmLeg	8pcs	Box2
9	Nut(M8)	1pc	

1.

Attach the 4x Hand-tighten Screws (7) to align the holes and attach the seat cushion to the backrest.



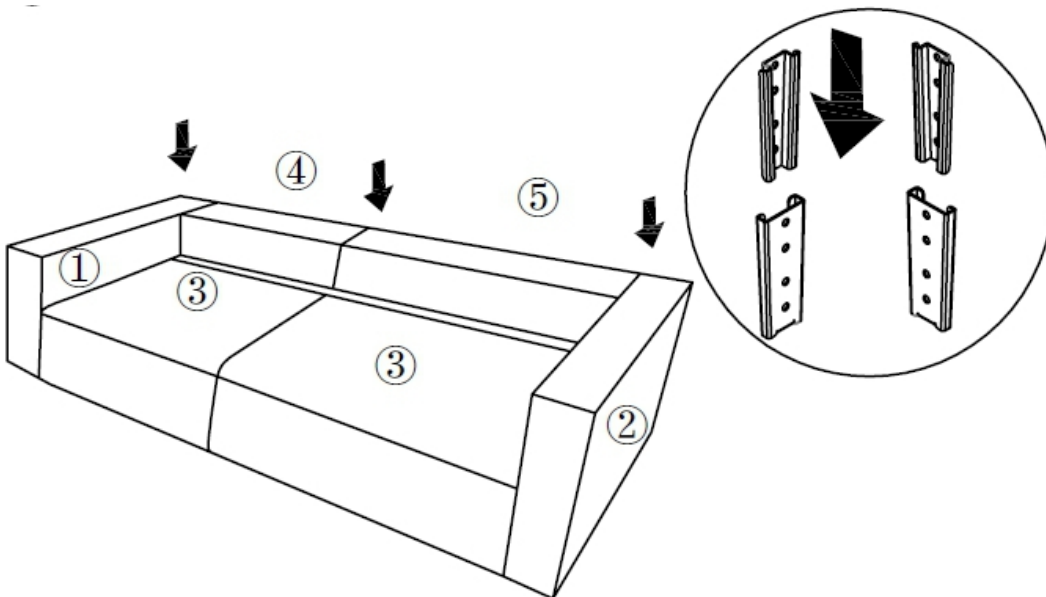
**You will need:**



4 Screws

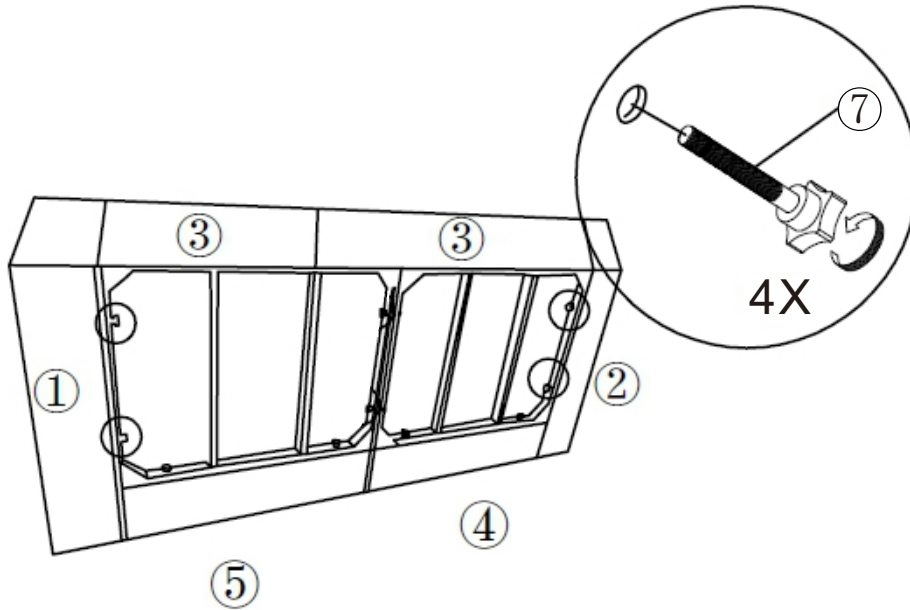
2.

Connect the Armrests (1) and (2), Backrests (4) and (5), and 2x Seat Cushions (3) following the direction of the arrows.



**3.**

Lay the assembly down and install the 4x Hand-tightened Screws (7) according to the hole positions.



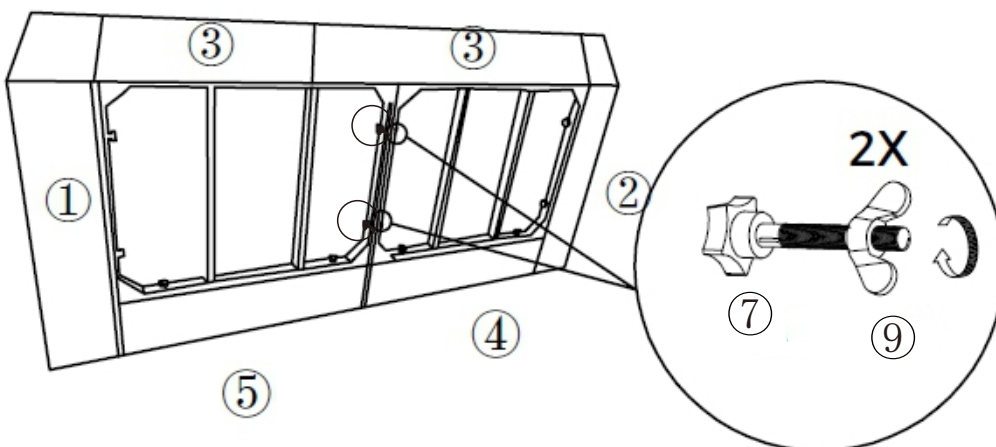
**You will need:**



4 Screws

**4.**

Attach the 2x Nuts (9) into the middle section.



**You will need:**



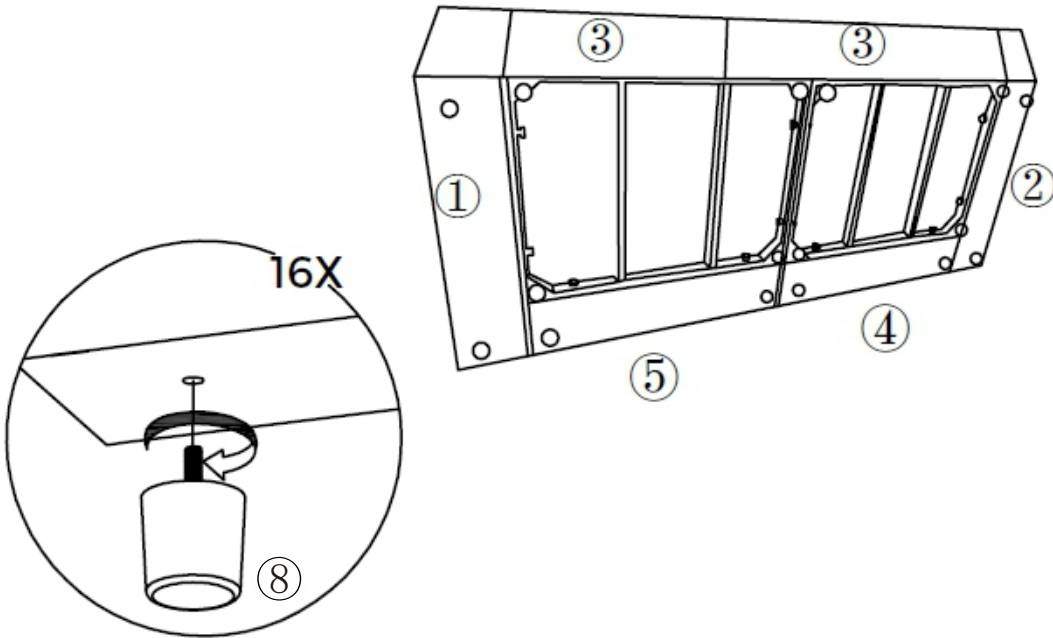
2 Screws



2 Nuts

**5.**

Install the 16x Legs (8) according to the hole positions.



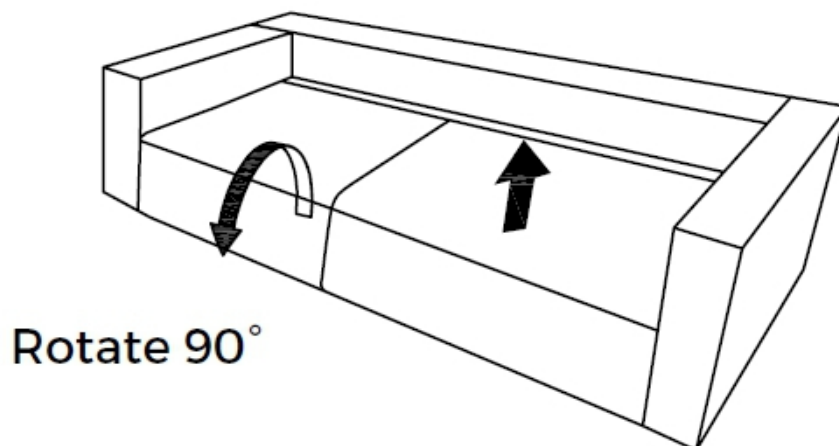
**You will need:**



16 Legs

**6.**

Lay the sofa flat and fold the seat cushion according to the arrows. (make sure the floor in front of the sofa is clean before opening)

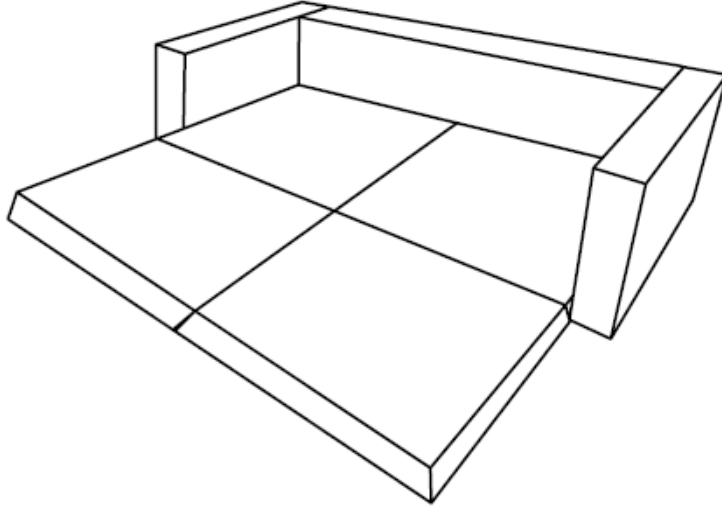


Rotate 90°

**7.**

---

After folding, as shown below.



**8.**

---

Place the 2x Back Cushions (6) on the sofa.

