

DUSK.COM

LIVING | BEDROOM | DINING

Range Name: Bail Simple Rattan Bed Frame

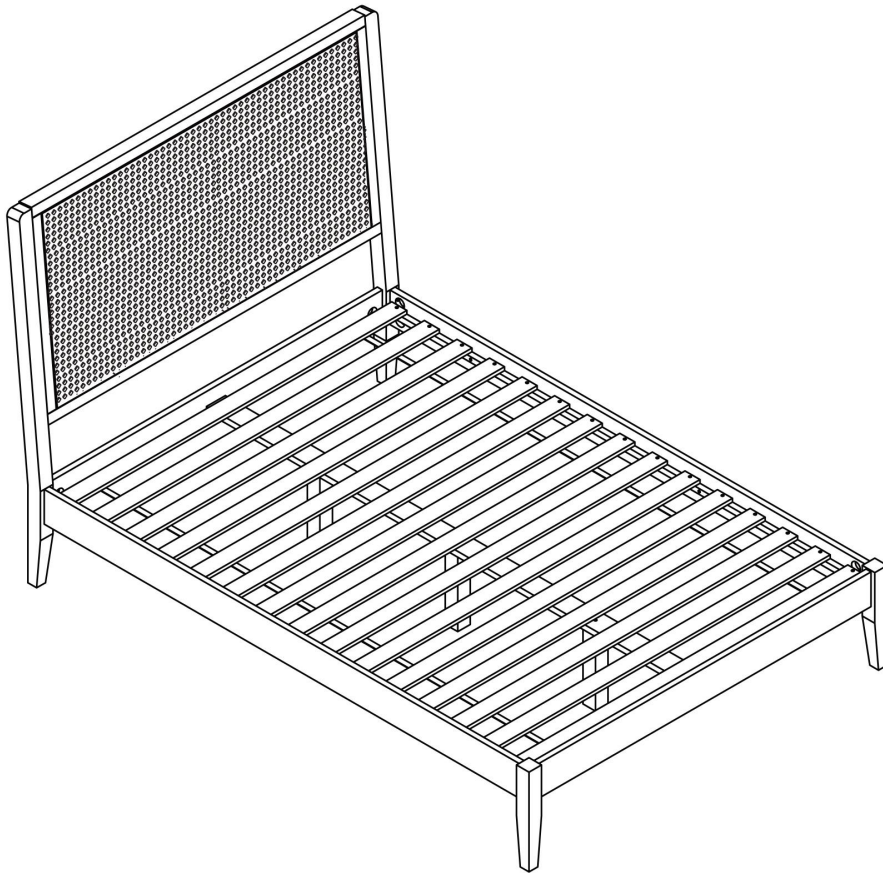
Box dimensions: Double bed: box1: L1960xW220xH115(mm)
box2: L1420xW700xH170(mm)

King bed: box1: L2060xW220xH115(mm)
box2: L1570xW700xH170(mm)

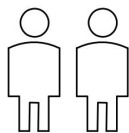
Super King bed: box1: L2060xW220xH115(mm)
box2: L1870xW700xH170(mm)

Bali Simple Rattan Bed Frame

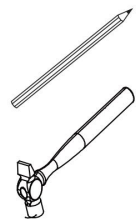
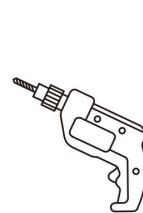
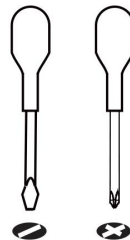
Double/King/Super King



Up to 1 hour
assembly time



Two person
assembly



V1.0

Page 1

Important

Assembly Tip

Before you begin, it's best to identify all of the parts and fittings to build your bed frame. We advise laying these out on the floor to check you have everything, and to familiarise yourself with all of the parts and fittings before building.

Top Tip

We recommend that you build your new bed frame in the room you'd like it to be located. This will help prevent any risk of damage to the frame whilst moving it.

Safety and Care

It's important to ensure children and animals are kept away from the assembly area, as there are small components used in this bed frame which could present a choking hazard. All plastic and wrapping materials should also be kept away from children and animals to prevent any risk of suffocation.

Help and Support

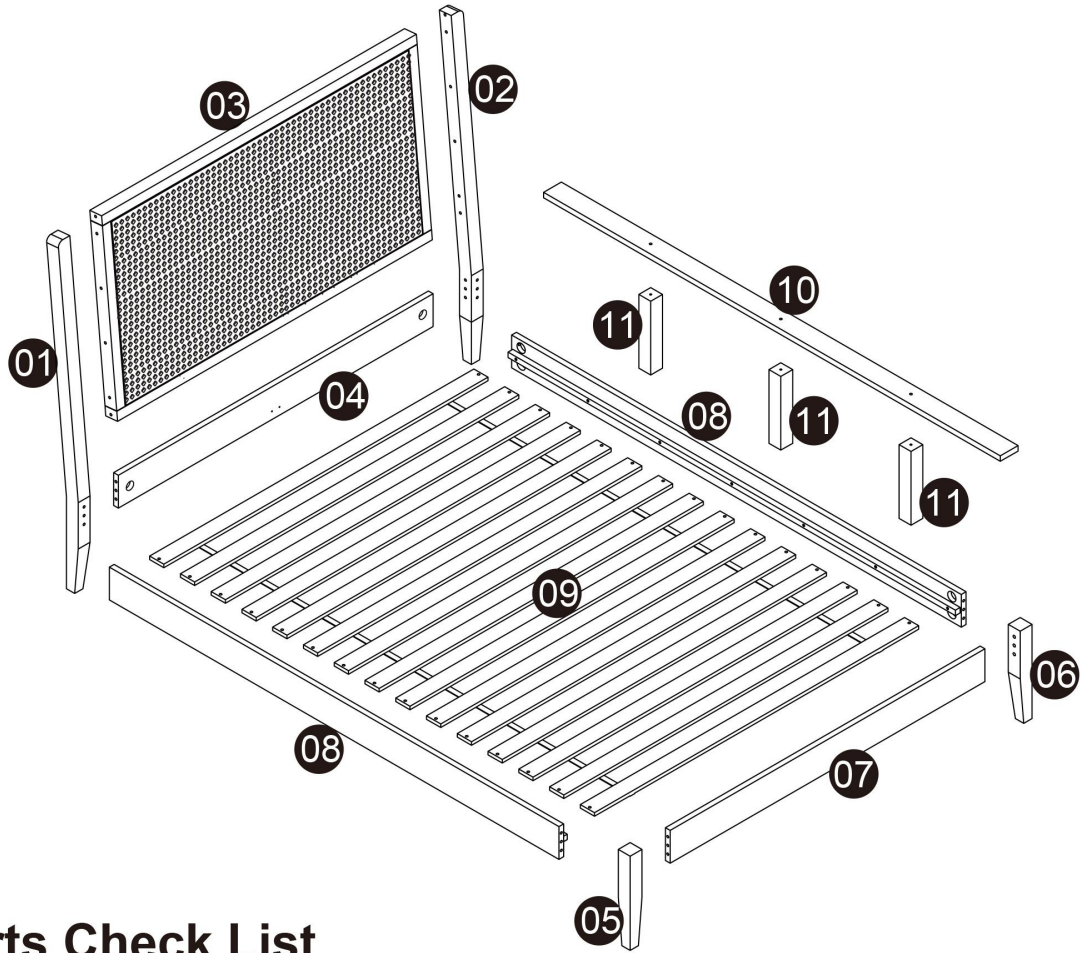
Please contact our customer service team on 0113 519 0311 if you have any questions or issues with your purchase.

Recycling

Please ensure that packaging is disposed of in a safe and environmentally friendly way, and recycle where possible. Please keep your assembly instructions safe to refer back to in the future.

Parts

Before you begin building your bed frame, please take a moment to read through the instructions and make sure that you have all the relevant parts listed on parts check list.




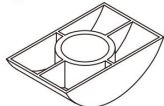
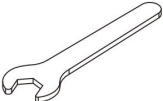
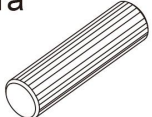
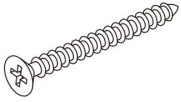
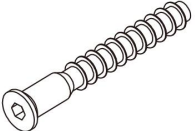
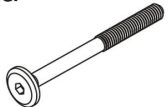
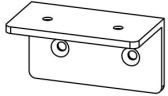
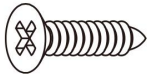
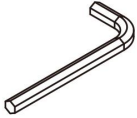
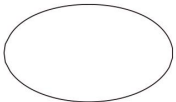


Parts Check List

No.	Part List	Qty	CTN	No.	Part List	Qty	CTN
1	Left Back Leg	1	1	7	Footboard	1	1
2	Right Back Leg	1	1	8	Side Rails	2	1
3	Backpanel	1	2	9	Slats	15	2
4	Headboard	1	1	10	Central Support Rail	1	1
5	Left Front Leg	1	1	11	Central Support Legs	3	1
6	Right Front Leg	1	1				

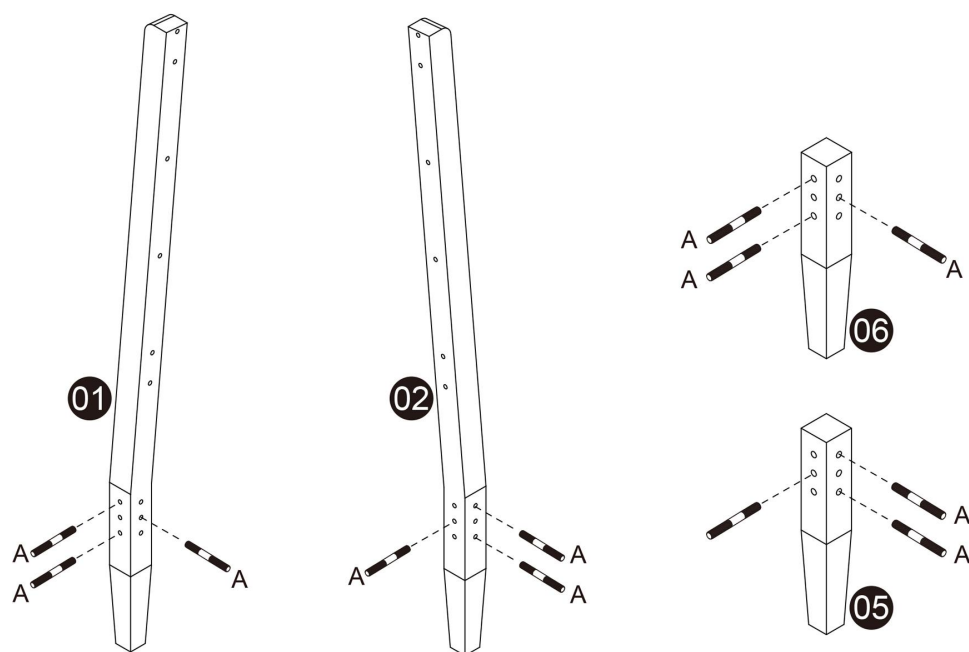
Fittings

Please check you have all the fitting listed below with you product.

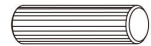
<p>A x12 + 1 extra</p>  <p>Threaded studs (M6x70mm)</p>	<p>B x12 + 1 extra</p>  <p>Nuts for M6 stud</p>	<p>C x12 + 1 extra</p>  <p>Flat Washer for M6 stud</p>
<p>D x12 + 1 extra</p>  <p>Half-moon bracket</p>	<p>E x1</p>  <p>Spanner for M6 nut</p>	<p>F x16 + 1 extra</p>  <p>Dowel (Ø8x30mm)</p>
<p>G x30 + 1 extra</p>  <p>Screw (Ø4x30mm)</p>	<p>H x3</p>  <p>Flat Head Screw (Ø7x50mm)</p>	<p>J x8 +1 extra</p>  <p>Screw (Ø6x70mm)</p>
<p>K x2</p>  <p>Metal Bracket</p>	<p>L x8 +1 extra</p>  <p>Screw (Ø3x16mm)</p>	<p>M x1</p>  <p>Allen Key M6</p>
<p>N x12 + 1 extra</p>  <p>Sticker Cover (Ø45mm)</p>		

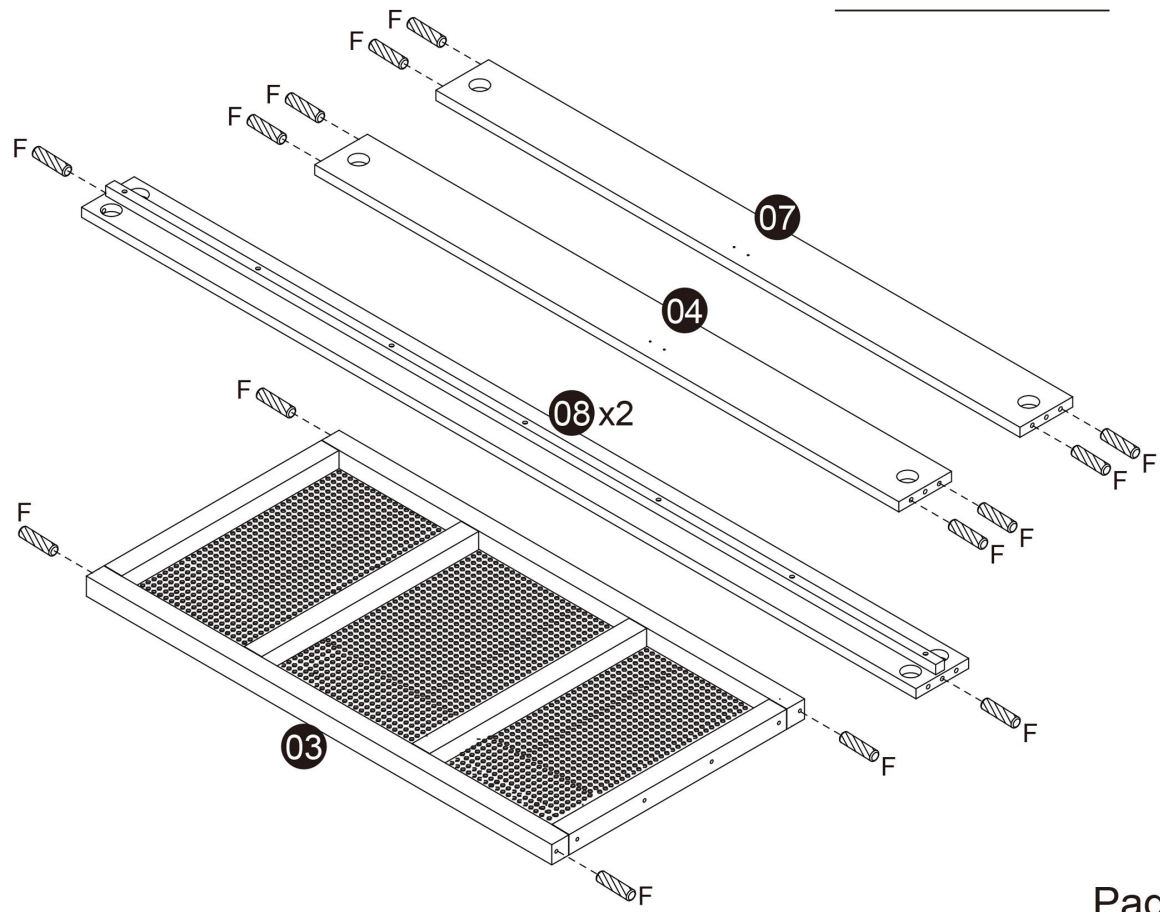
Step 1 Attach Threaded Studs.

A  12 pcs



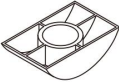
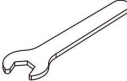

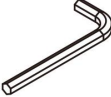



Step 2 Attach Wood Dowels.

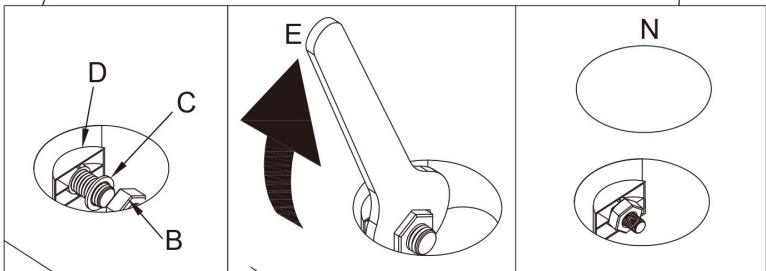
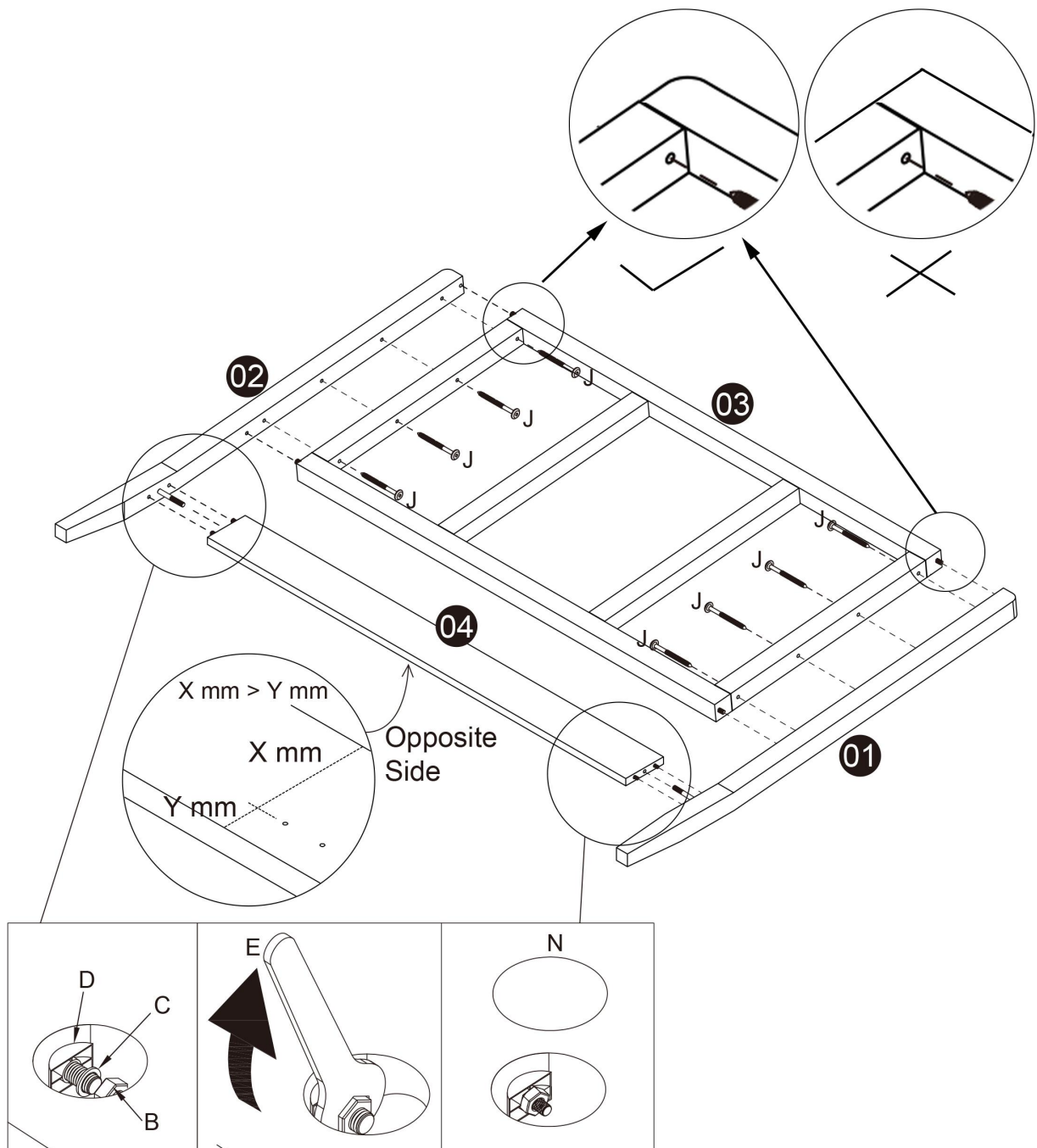
F  16 pcs








Step 3

	B		2 pcs	C		2 pcs		
D		2 pcs	E		1 pc	J		8 pcs
M		1 pc	N		2 pcs			

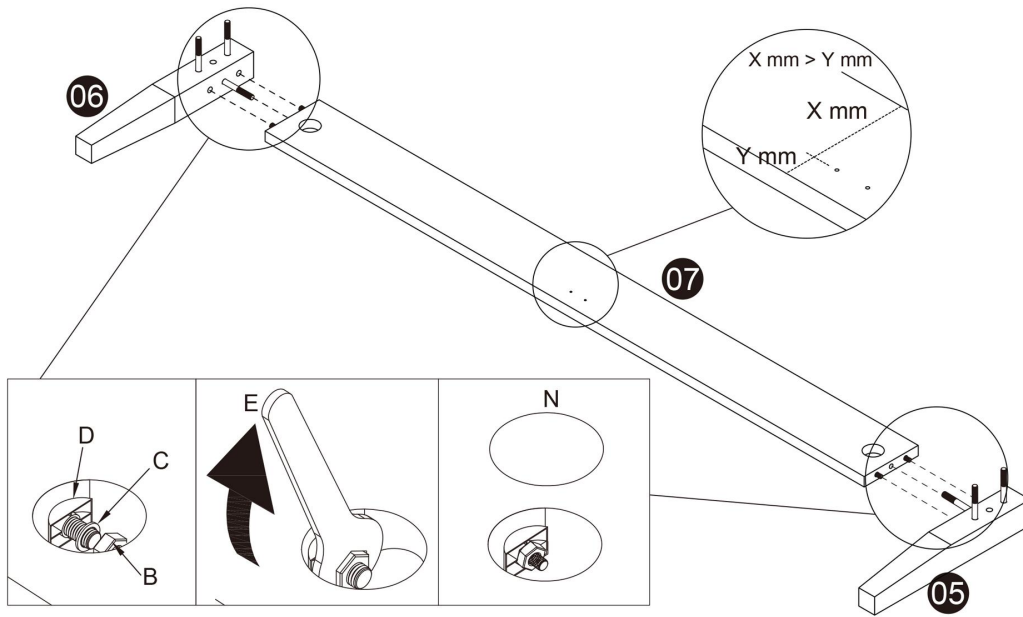
Attach the Backpanel and Headboard to Legs.



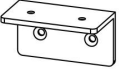

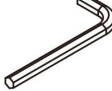

Step 4

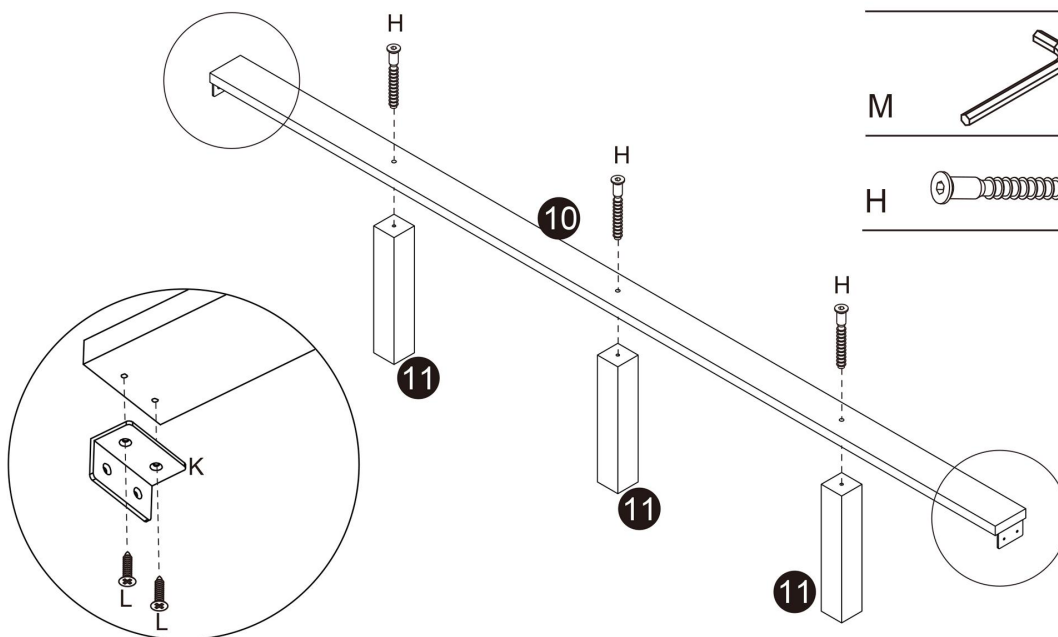
	B		2 pcs	C		2 pcs		
D		2 pcs	E		1 pc	N		2 pcs

Attach Legs to the Footboard.



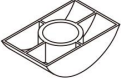

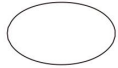


Step 5 Attach Central Support Legs and Metal Bracket to the Central Support Rail.

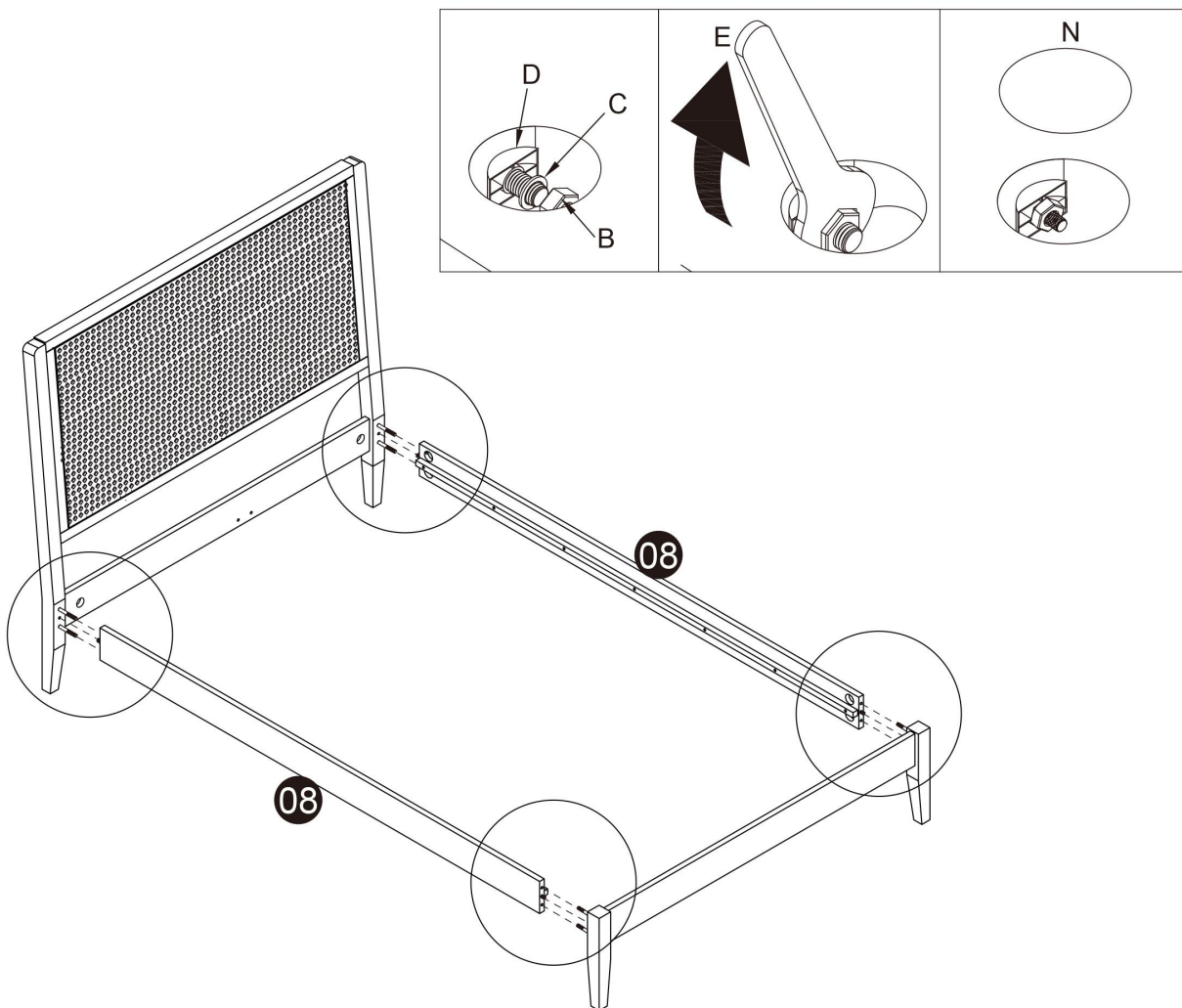
K		2 pcs
L		4 pcs
M		1 pc
H		3 pcs



Step 6

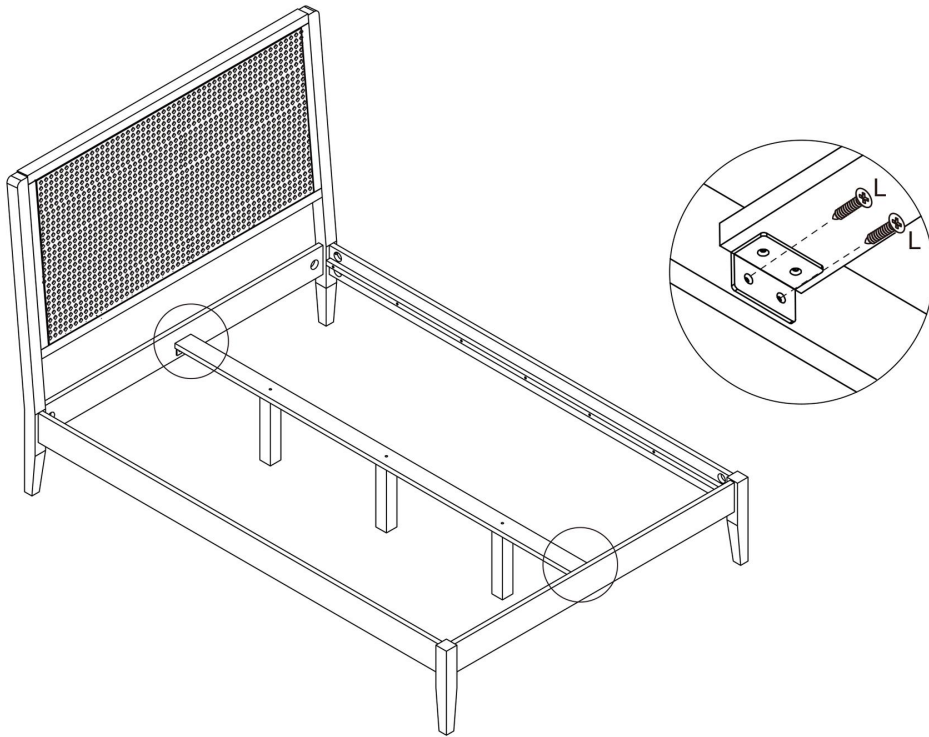
		B		8 pcs	C		8 pcs	
D		8 pcs	E		1 pc	N		8 pcs

Attach Side Rails to Headboard and Footboard.



Step 7 Attach the Central Support Rail.

L  4 pcs



Step 8 Attach Slats.

G  30 pcs

