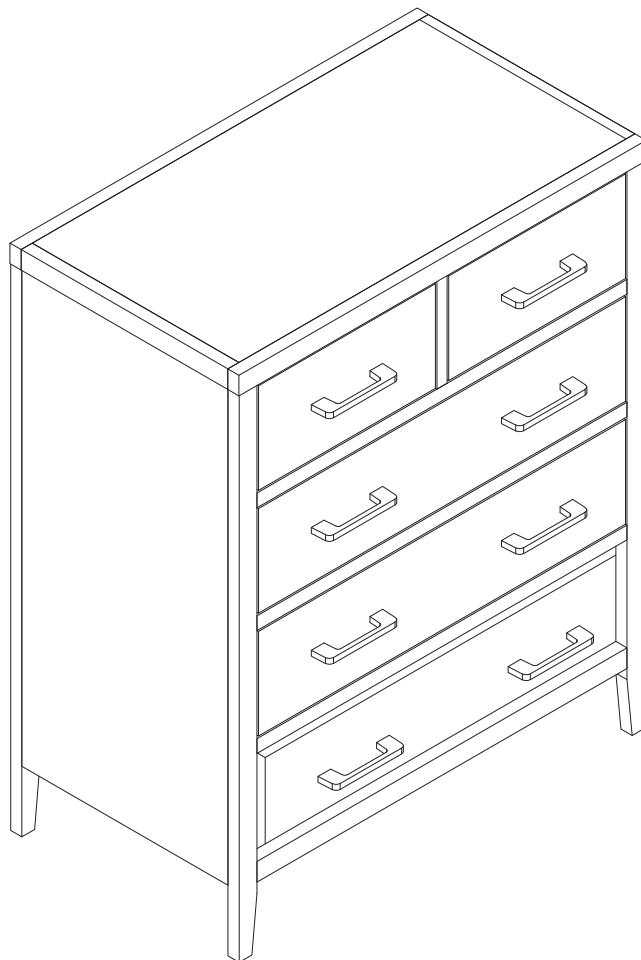


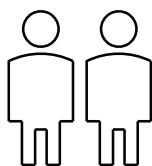
Aria 2+3 Chest



THIS INSTRUCTION BOOKLET CONTAINS IMPORTANT SAFETY INFORMATION.
PLEASE READ AND KEEP FOR FUTURE REFERENCE.



Up to 30 minutes
assembly time



Two person
assembly

This product is intended for domestic use only, not for commercial purpose.

IMPORTANT

ASSEMBLY TIP

Before you begin, we advise laying everything out on a clean and soft level surface to avoid damaging the unit or your floor. It's best to identify all of the parts and fittings to build your chest, and to familiarise yourself with all of the parts and fittings before building.

TOP TIP

We recommend that you assemble the chest in the room you'd like it to be used. This will help prevent the chance of damaging the item when moving it around.

SAFETY AND CARE

1. It's important to ensure children and animals are kept away from the assembly area, as there are small components used in this product which could present a choking hazard. All plastic and wrapping materials should also be kept away from children and animals to prevent any risk of suffocation.
2. Always use on firm level ground, ensuring all legs remain in contact with the ground.
3. Do not stand on your product.
4. Children should always be under supervision whilst using this product. Never allow children to climb on the drawers.
5. Place heaviest items in the lowest drawers.
6. Do not set TV or other heavy objects on top of the product.
7. Never keep more than one drawer open at the same time.
8. The installation of anti tipping kit to secure your furniture is strongly suggested.
9. Serious or fatal crushing injuries can occur from tipping furniture.

HELP AND SUPPORT

Please contact our customer service team on 0113 519 0311 if you have any questions or issues with your purchase.

RECYCLING

Please ensure that packaging is disposed of in a safe and environmentally friendly way, and recycle where possible. Please keep your assembly instructions safe to refer back to in the future.

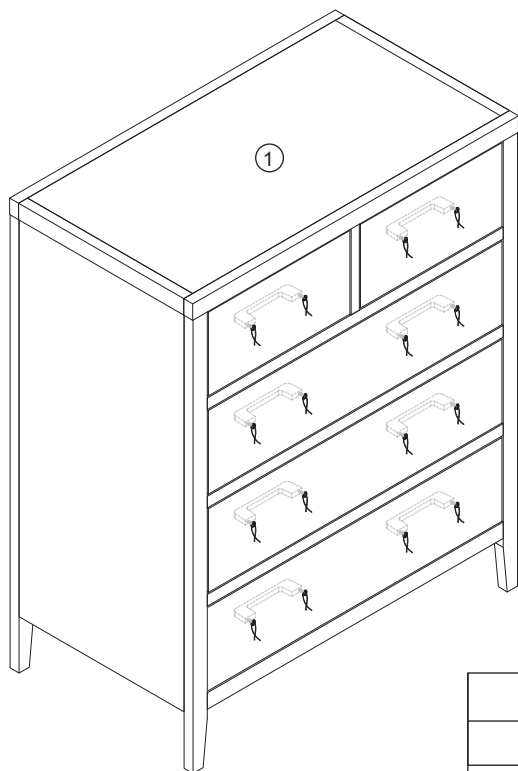
CARE AND MAINTENANCE

1. Only clean using a damp cloth, do not use bleach or abrasive cleaners as they may damage the finish over time.
2. Do not use a very wet cloth or allow any liquid to contact with the veneer for a long period of time. Wipe any spillage immediately. Absorption can cause wood to warp or finishes to de-laminate.
3. Do not scrub or rub the surface when cleaning.
4. Do not drag the chest when moving, lift it off the floor instead.
5. Use a placemat or a coaster when putting hot items (e.g. hot drinks and dishes) on the wood surface.
6. It is not recommended to place the item next to sources of heat such as radiators, fires or directly exposed to sunlight. This may cause the wood to crack, split or fade due to the change of the humidity and temperature.
7. Wood will mellow and change colour over time, we recommend that ornaments and items placed on the surface to be moved regularly to prevent uneven mellowing.
8. Regularly check all fixings to ensure none have come loose. Re-tighten if necessary.
9. Avoid sharp items such as a screwdriver or any pointy tools.

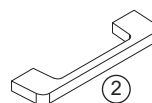
Parts List

Please check you have all the parts listed below with your product:

Do not discard any of the packaging until you have checked that you have all the parts and the pack of fixings.






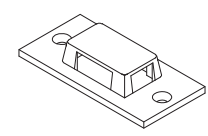
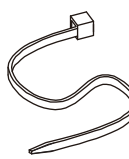
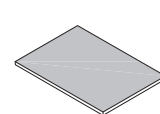
(Handles are pre-attached inside of the drawers)



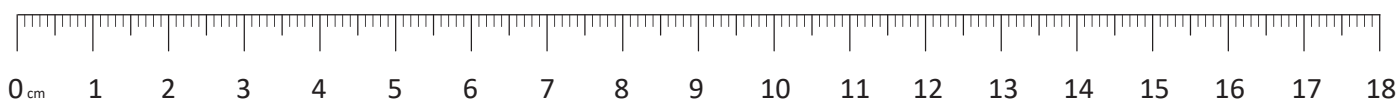
Part No.	Part Name	Quantity
1	2+3 Chest	1
2	Handles	8

Fittings

Please check you have all the fittings listed below with your product.

 <p>A Ø3.5x30mm Screw 4pcs+1extra</p>	 <p>B Ø3.5x20mm Screw 4pcs+1extra</p>	 <p>C M6x35mm Wall plug 4pcs+1extra</p>	 <p>D Plastic Bracket 4pcs</p>
 <p>E 250mm Nylon strap 2pcs</p>	 <p>F Felt Pad 4pcs+1extra</p>		

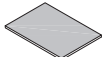
Bolt Length Ruler:

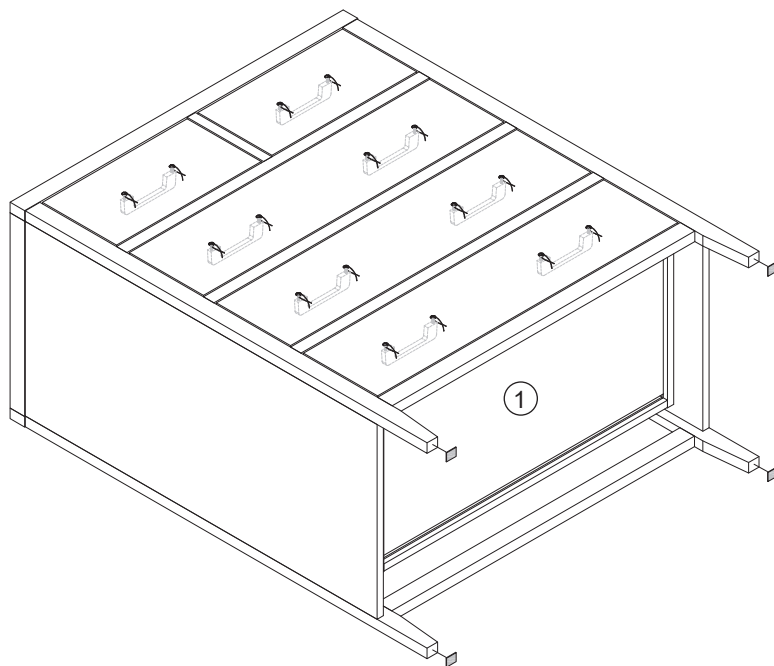


Tool required (not provided)

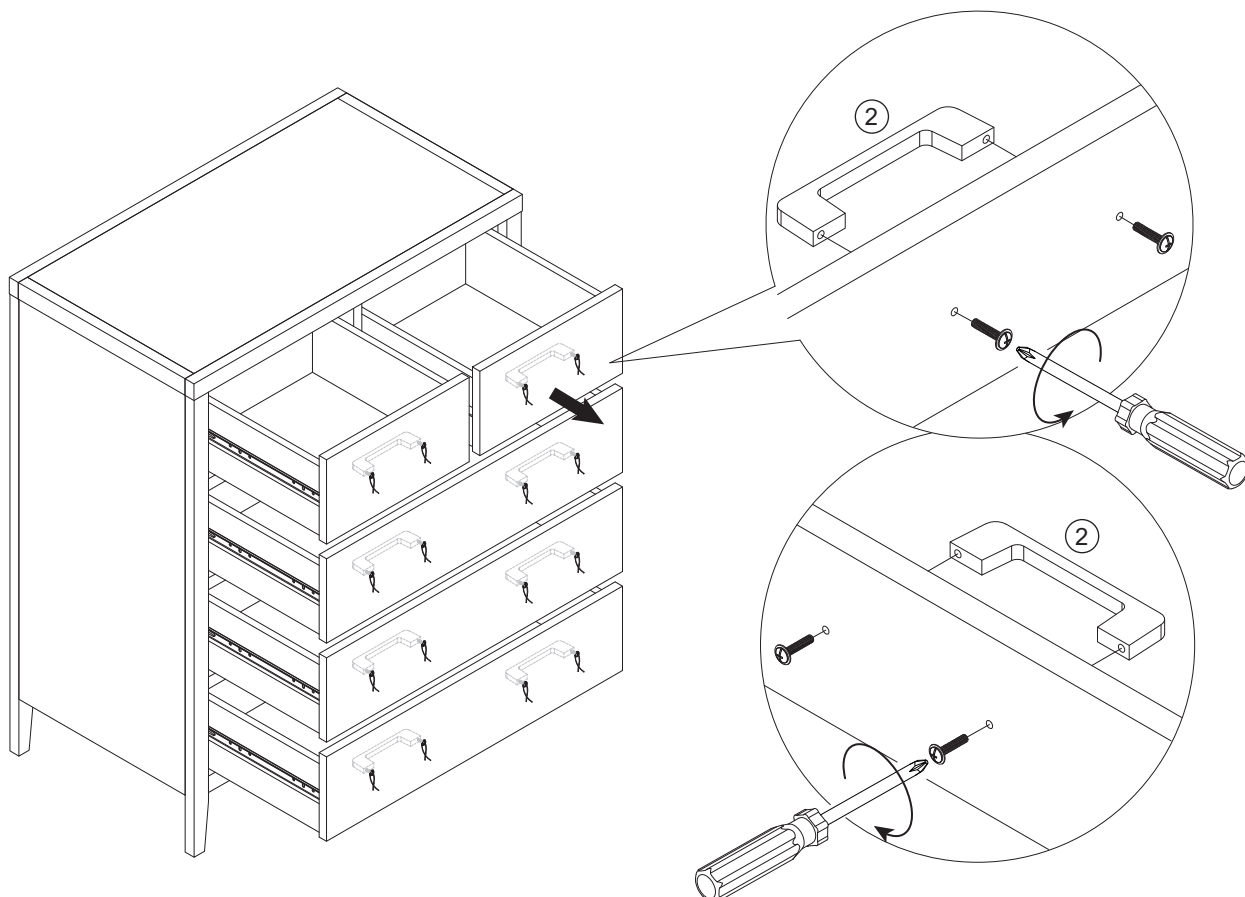


Step 1: Applying felt pads on the chest legs.

ⓕ  4pcs

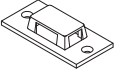


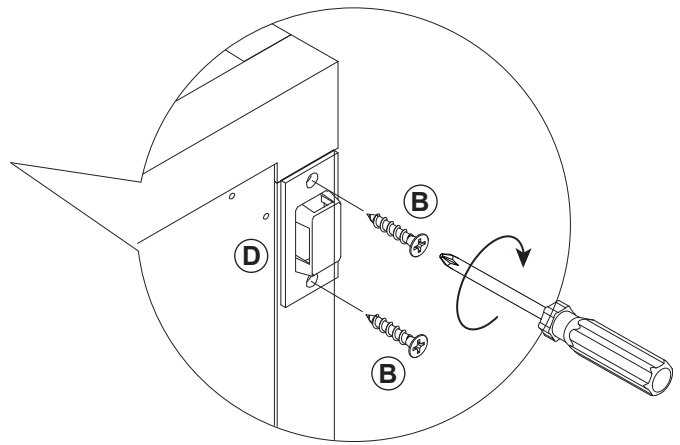
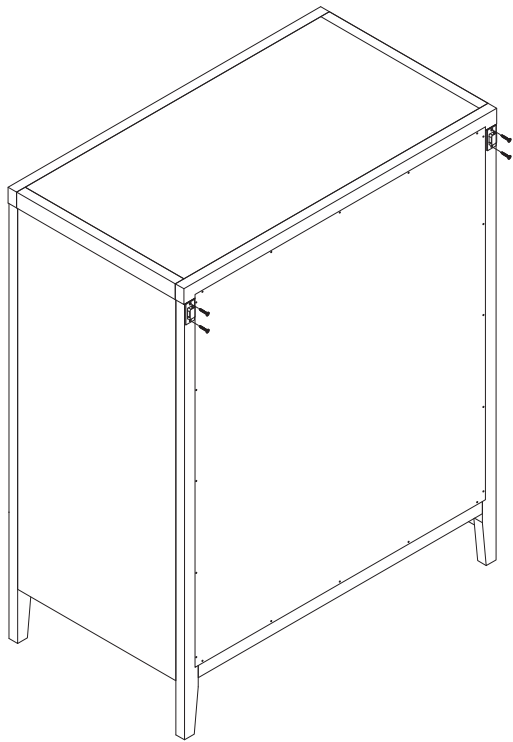
Step 2: Disassemble the pre-attached handles and re-attach as shown in the figures.



Step 3: Anti Tipping Kit Installation on the item.

(B)  4pcs

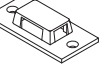
(D)  2pcs



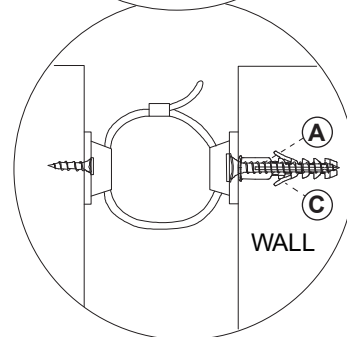
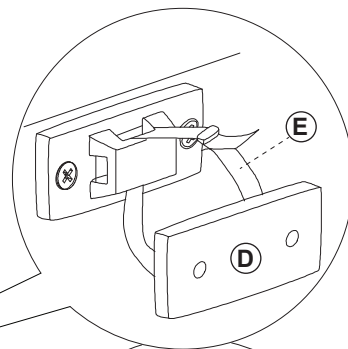
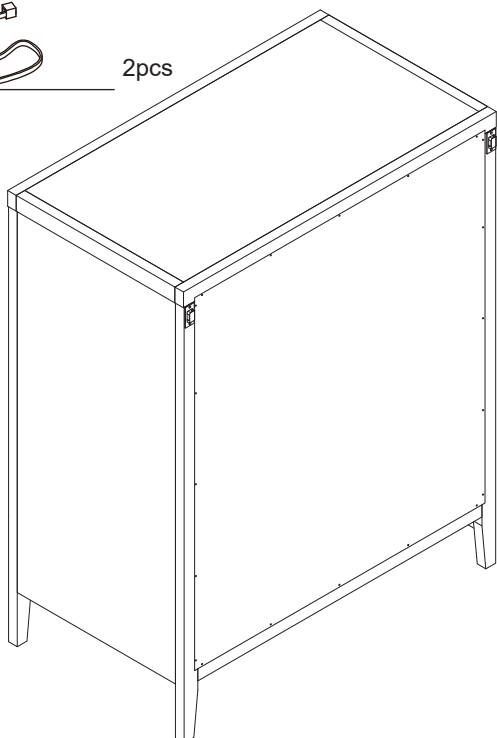
Step 4: Anti Tipping Kit Installation on the wall.

(A)  4pcs

(C)  4pcs

(D)  2pcs

(E)  2pcs



Before applying the bracket to the wall, check pipes and cables that may be hidden behind.

WARNING: Manufacturer assumes no liability for improper installation or excessive loads placed on screws or bracket. This wall anchor is not a substitute for proper adult supervision.