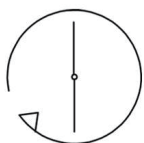
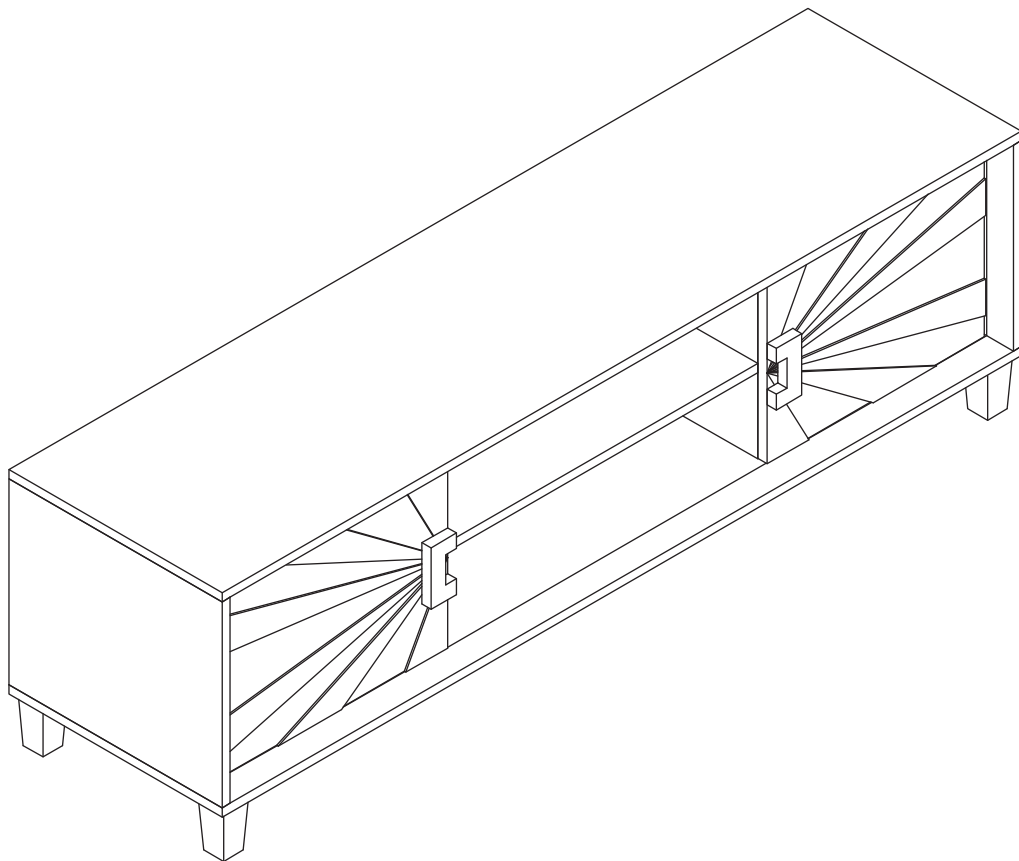
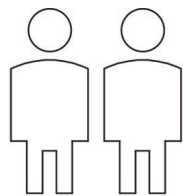


Tv Unit



Up to 60 minutes
assembly time



Two person
assembly



Electric screwdriver
prohibited

This product is intended for domestic use only, not for commercial purposes.

IMPORTANT

ASSEMBLY TIP

Before you begin, it's best to identify all of the parts and fittings to build your tv unit frame. We advise laying these out on the floor to check you have everything, and to familiarise yourself with all of the parts and fittings before building.

TOP TIP

We recommend that you assemble the tv unit in the room you'd like it to be located. This will help prevent any risk of damage to the frame whilst moving it.

SAFETY AND CARE

1. It's important to ensure children and animals are kept away from the assembly area, as there are small components in this product which could present a choking hazard. All plastic and wrapping materials should also be kept away from children and animals to prevent any risk of suffocation.
2. Do not stand on your product.
3. Always use the item on firm level ground, ensuring all legs remain in contact with the ground.
4. Place heaviest items in the lowest drawers.
5. Do not set TV or other heavy objects on top of the product.
6. Children should always be under supervision whilst using this product. Never allow children to climb on the drawers.
7. Never keep more than one drawer open at the same time.
8. In order to prevent overturning, this product must be used with the wall attachment device provided.
9. Serious or fatal crushing injuries can occur from tipping furniture.

HELP AND SUPPORT

Please contact our customer service team on 0113 519 0311 if you have any questions or issues with your purchase.

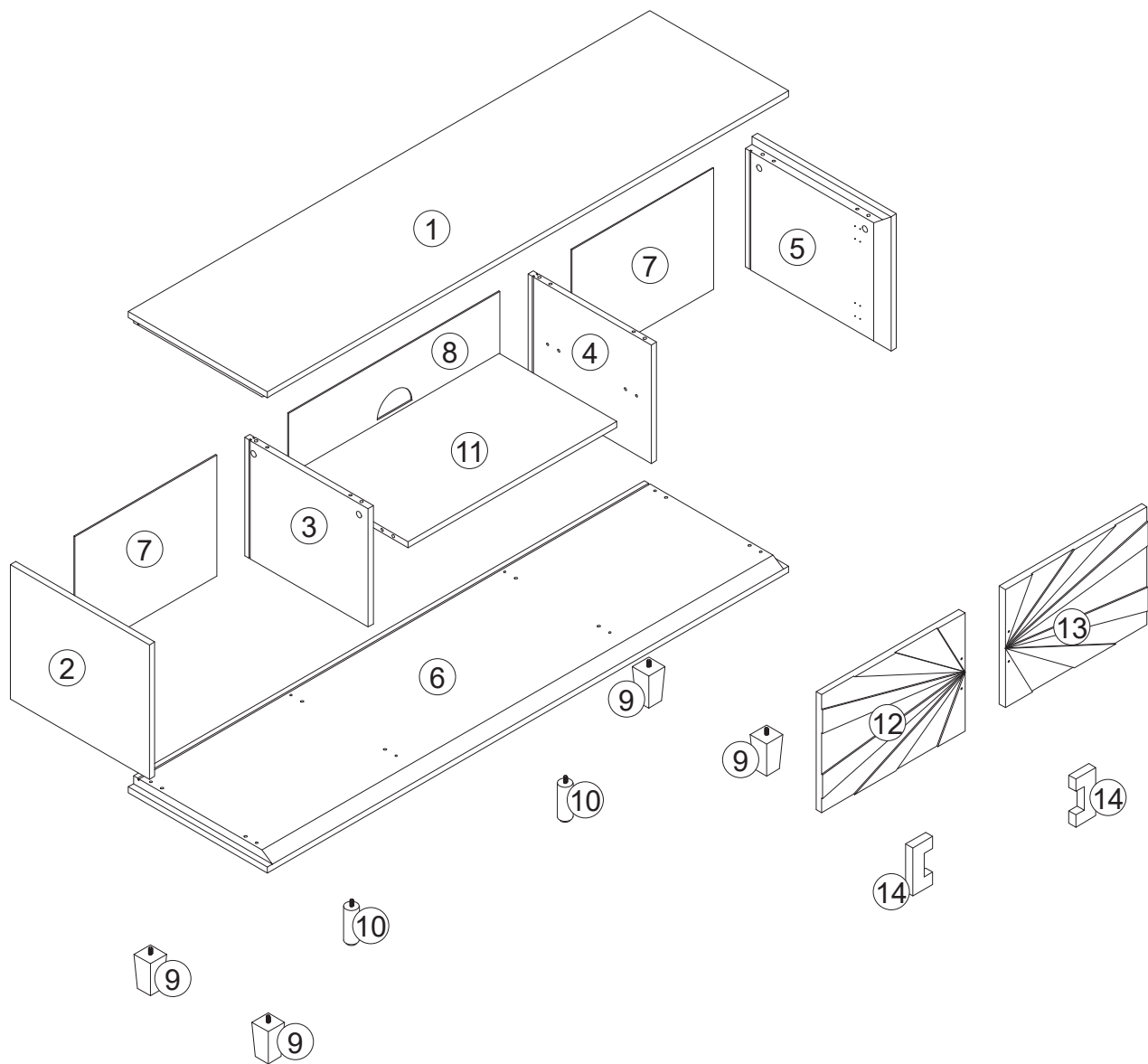
RECYCLING

Please ensure that packaging is disposed of in a safe and environmentally friendly way, and recycle where possible. Please keep your assembly instructions safe to refer back to in the future.

CARE AND MAINTENANCE

1. Only clean using a damp cloth, do not use liquid bleach or abrasive cleaners as they may damage the finish over time.
2. Do not use a very wet cloth or allow any liquid to contact with the surface for a long period of time. Wipe any spillage immediately. Absorption can cause wood to warp or finishes to de-laminate.
3. Do not scrub or rub the surface when cleaning.
4. Do not drag the tv unit when moving, lift off the floor instead.
5. Use a placemat or a coaster when putting hot items (e.g. hot drinks and dishes) on the wood surface.
6. It is not recommended to place the item next to sources of heat such as radiators, fires or directly exposed to sunlight. This may cause the wood to crack, split or fade due to the heat or humidity.
7. Wood will mellow and change colour over time. We recommend that ornaments and items placed on the surface to be moved regularly to prevent uneven mellowing.
8. Regularly check all fittings to ensure none have come loose. Re-tighten if necessary.
9. Avoid sharp items such as a screwdriver or any pointy tools.

Parts list




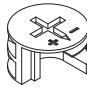
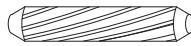
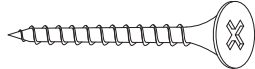





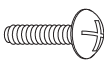
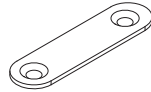
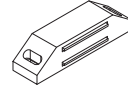
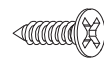
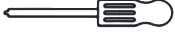
Parts list

Before you begin building your tv unit, please take a moment to read through the instructions and make sure that you have all the relevant parts listed on the parts check list.

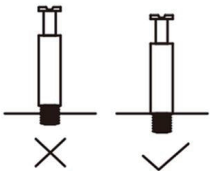
Part Number	Part Description	Quantity	Box No
1	Top Panel	1 pc	Box 1
2	Left side plate	1 pc	Box 1
3	Middle panel	1 pc	Box 1
4	Middle panel	1 pc	Box 1
5	Right side plate	1 pc	Box 1
6	Middle panel	1 pc	Box 1
7	Back Panel	2 pcs	Box 1
8	Back Panel	1 pc	Box 1
9	Leg	4 pcs	Box 1
10	Middle support leg	2 pcs	Box 1
11	Fixed layer plate	1 pc	Box 1
12	Door	1 pc	Box 1
13	Door	1 pc	Box 1
14	Handle	2 pcs	Box 1

Fittings Checklist

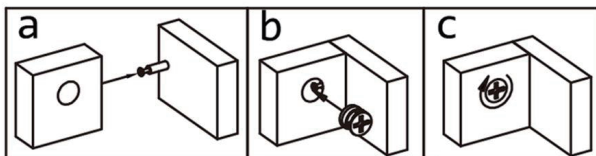
Please check you have all the fittings listed below with your product in Box 1.

<p>A</p>  <p>M6x35mm Cam Bolt x12 pcs(+2 extra)</p>	<p>B</p>  <p>Ø15x9mm Cam Lock x12pcs(+2 extra)</p>	<p>C</p>  <p>Ø8x30mm Wood Dowel x20pcs(+2 extra)</p>
<p>D</p>  <p>M5x60mm Screw x8 pcs(+2 extra)</p>	<p>E</p>  <p>M4x14mm Screw x24pcs(+2 extra)</p>	<p>F</p>  <p>Plastic Buckle x12pcs(+2 extra)</p>
<p>G</p>  <p>M3x14mm Screw x16pcs(+2 extra)</p>	<p>H</p>  <p>Hinge x4pcs</p>	<p>I</p>  <p>Cover x8pcs(+1 extra)</p>
<p>J</p>  <p>M6x30mm Bolt x4pcs</p>	<p>K</p>  <p>Door Strike Plate x2pcs</p>	<p>L</p>  <p>Door Catch x2pcs</p>
<p>M</p>  <p>M3x12mm Screw x4pcs</p>	<p>N</p>  <p>Screwdriver x1pc</p>	

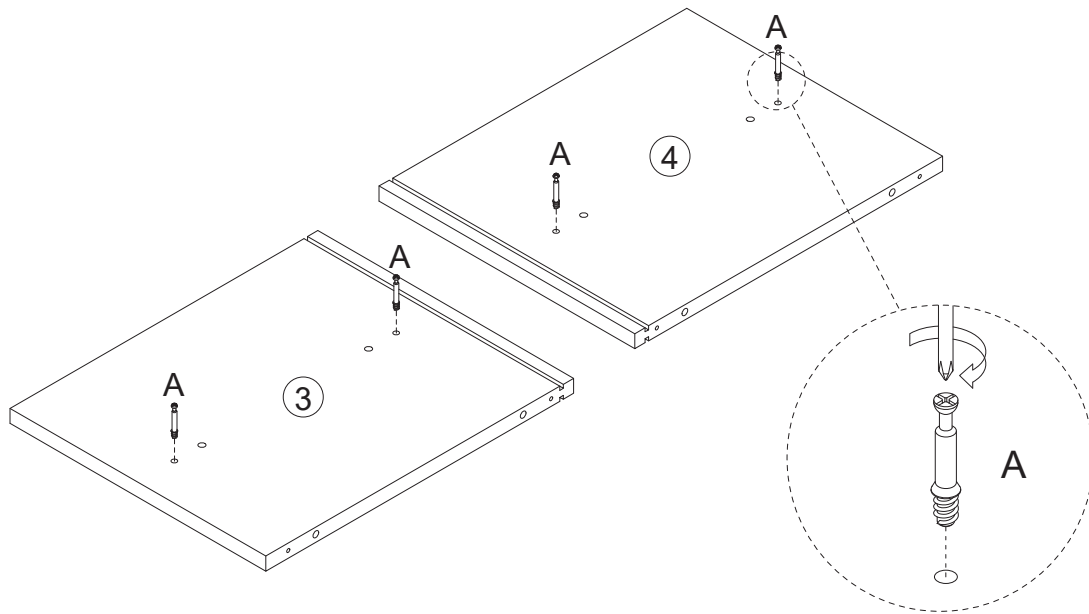
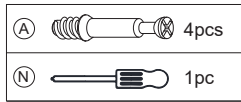
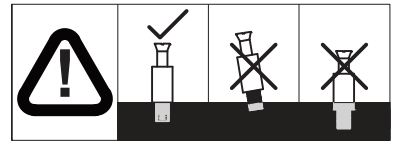
Ensure the cam lock screws are installed correctly, as indicated by the "check mark" below.



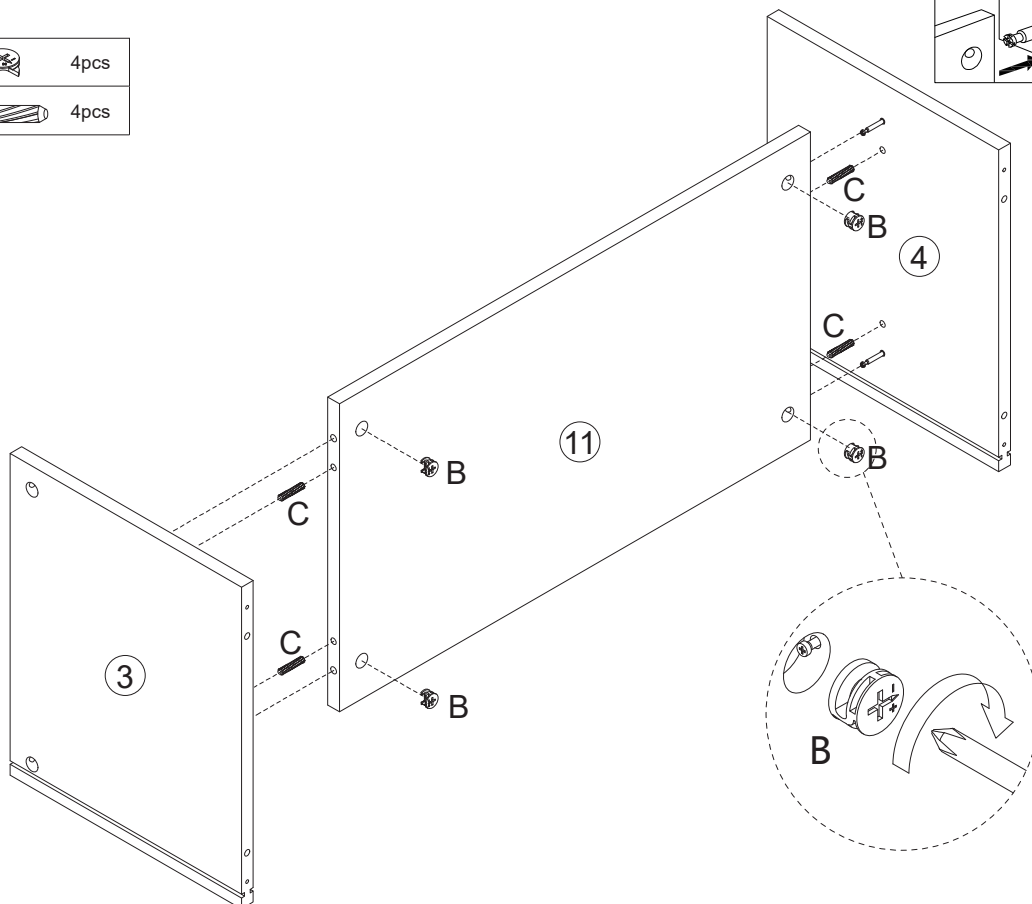
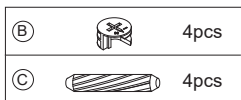
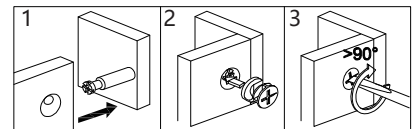
Refer to the illustration below to correctly use the cam lock screws for assembling the panels.



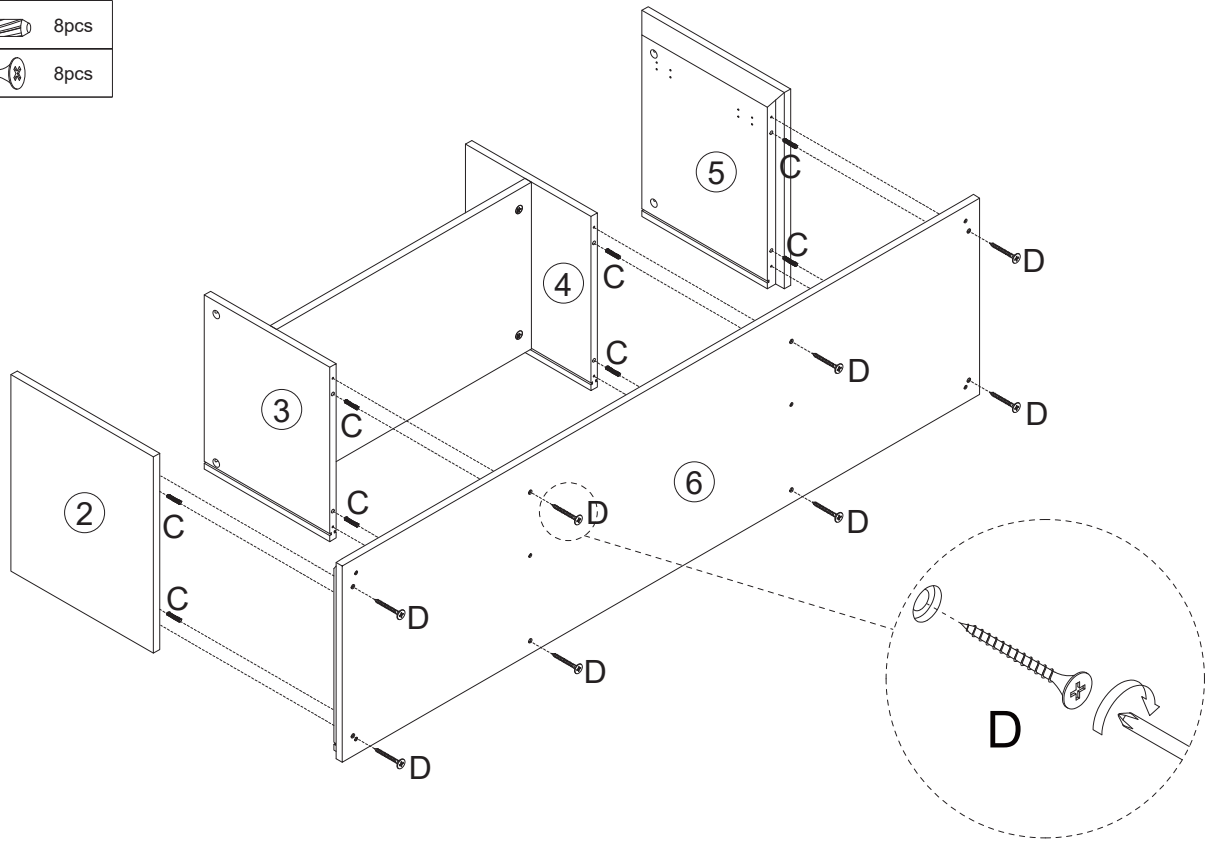
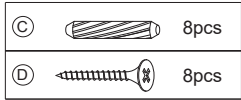
Step 1: Install the eccentric rod A onto panels 3&4.



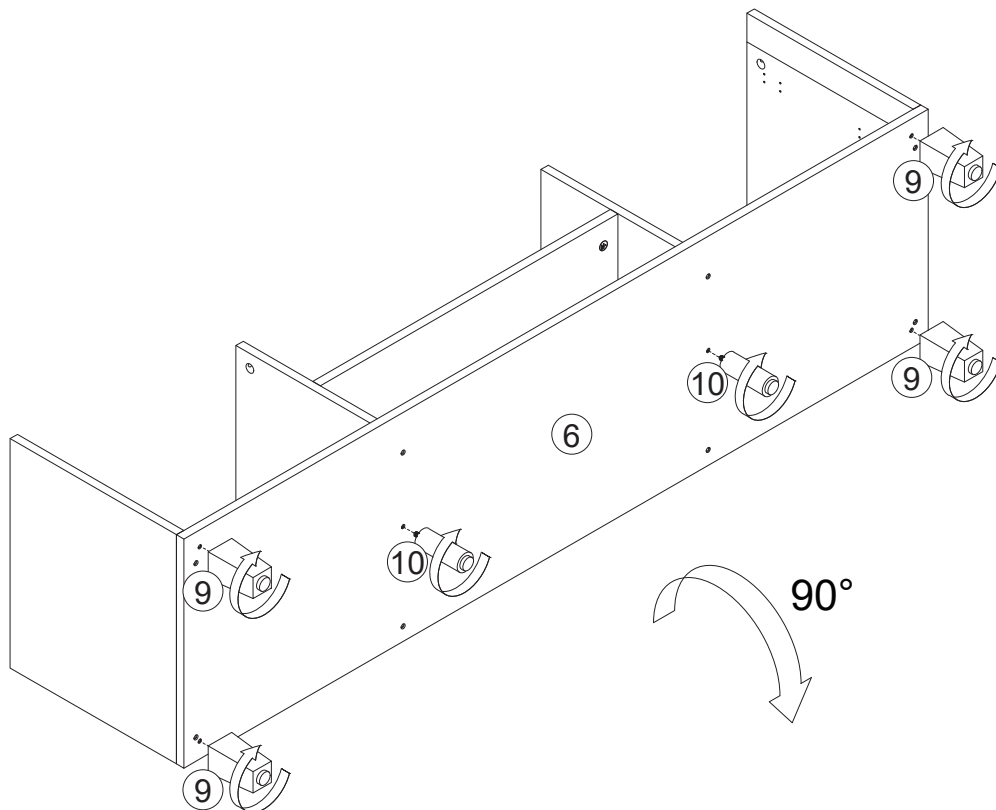
Step 2: Connect panels 3 and 4 to panel 11 with wooden tenon C, and then turn eccentric wheel B clockwise to tighten.



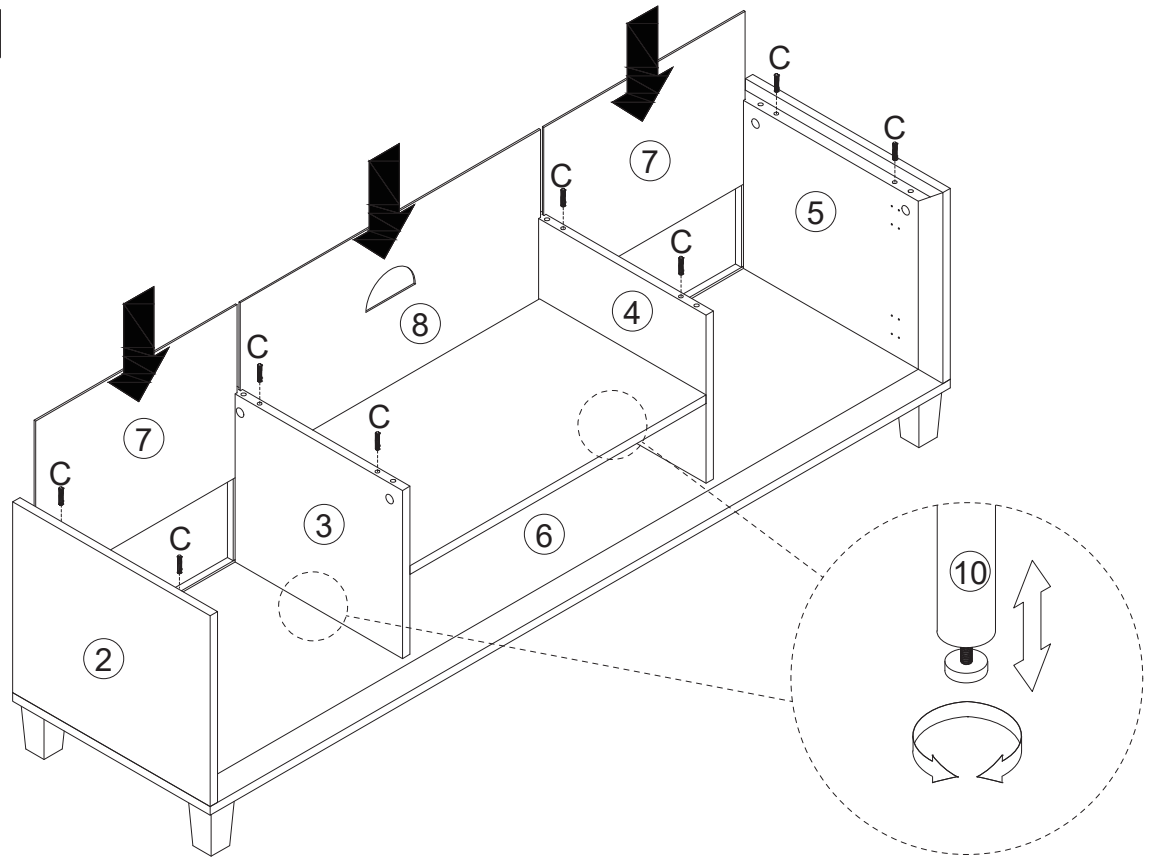
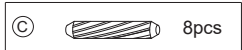
Step 3: Connect panels 2&3&4&5 to panel 6 with wooden tenons C, and then fix them with screws D.



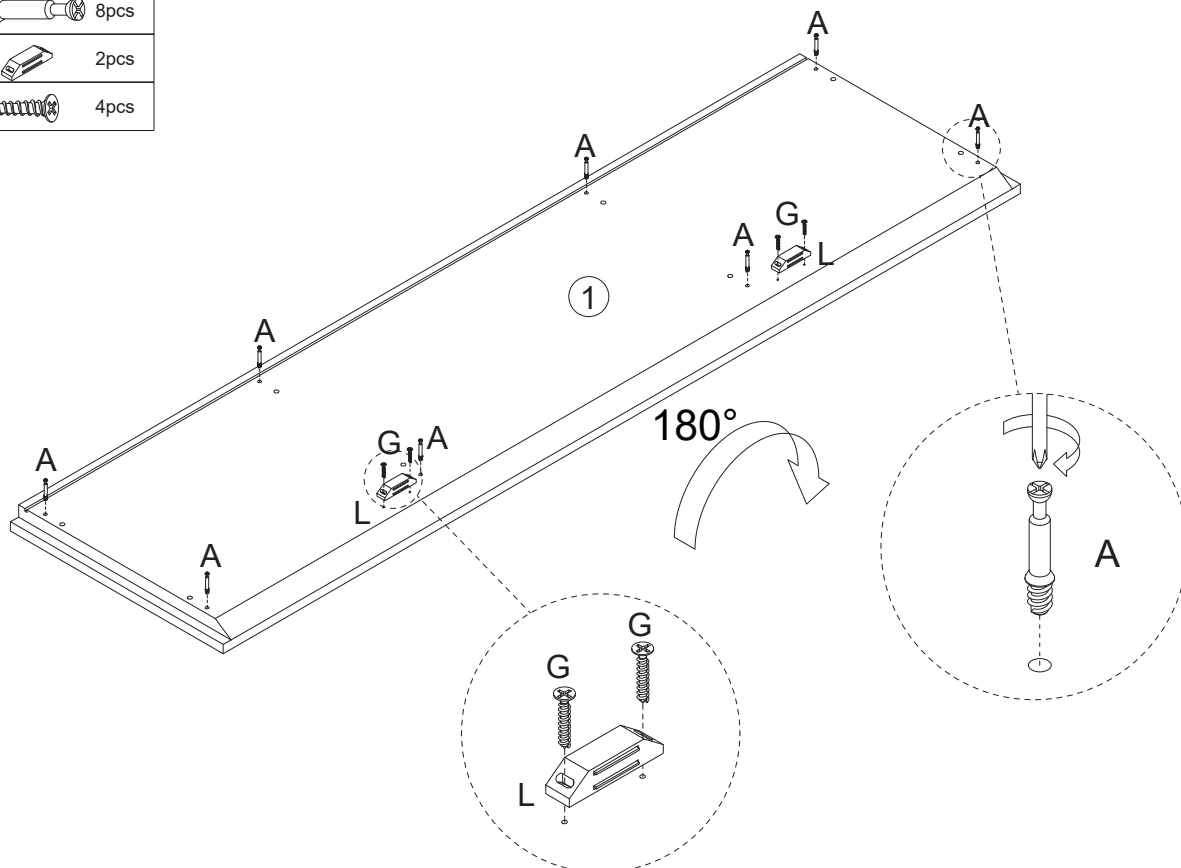
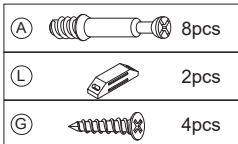
Step 4: Fix the leg 9&10 to the panel 6.





Step 5: Insert the back plate 7&8 into the slot and then place the wooden tenon C.

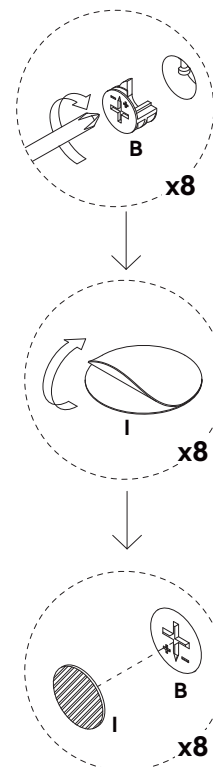
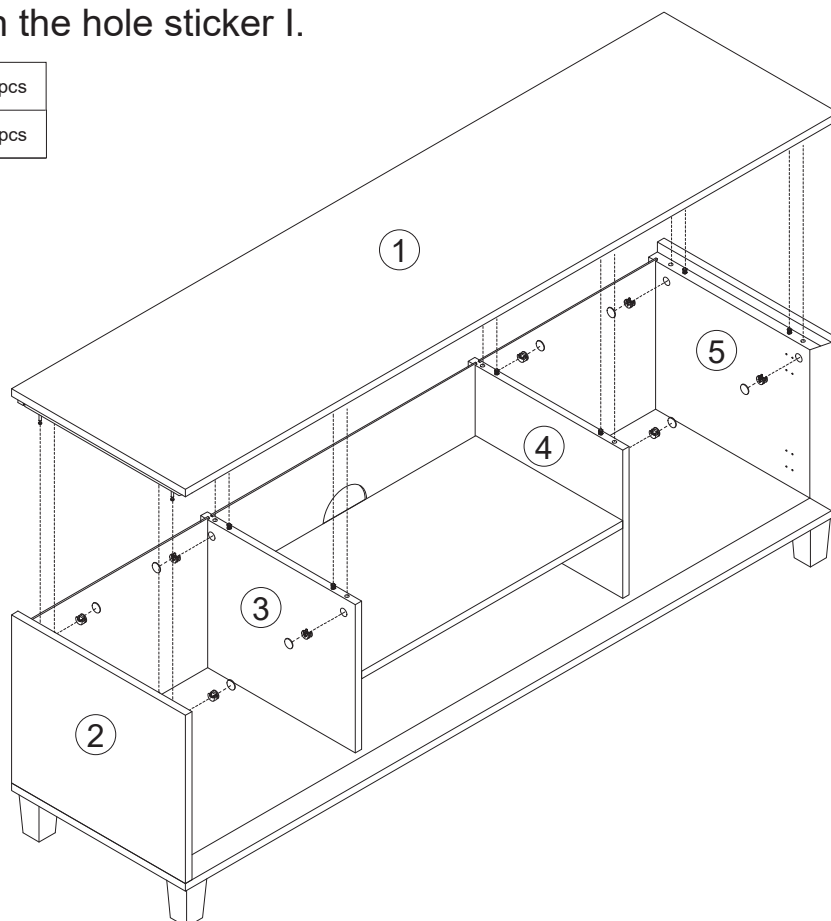


Step 6: Install the eccentric rod A onto panels 1.
Fix the door latch L to the panel 1 with screw G.





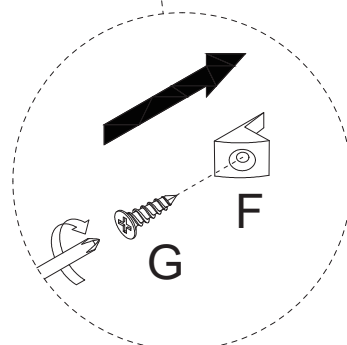
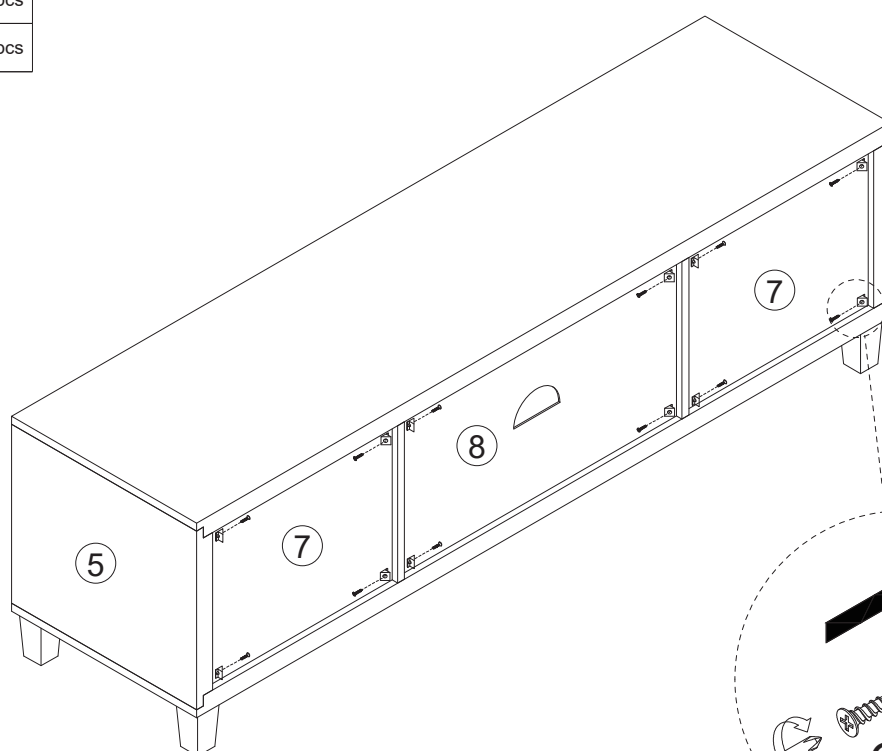
Step 7: Connect Panel 1 to the assembled panel ,
and then turn eccentric wheel B clockwise to tighten.
and stick on the hole sticker I.

(B)		8pcs
(I)		8pcs








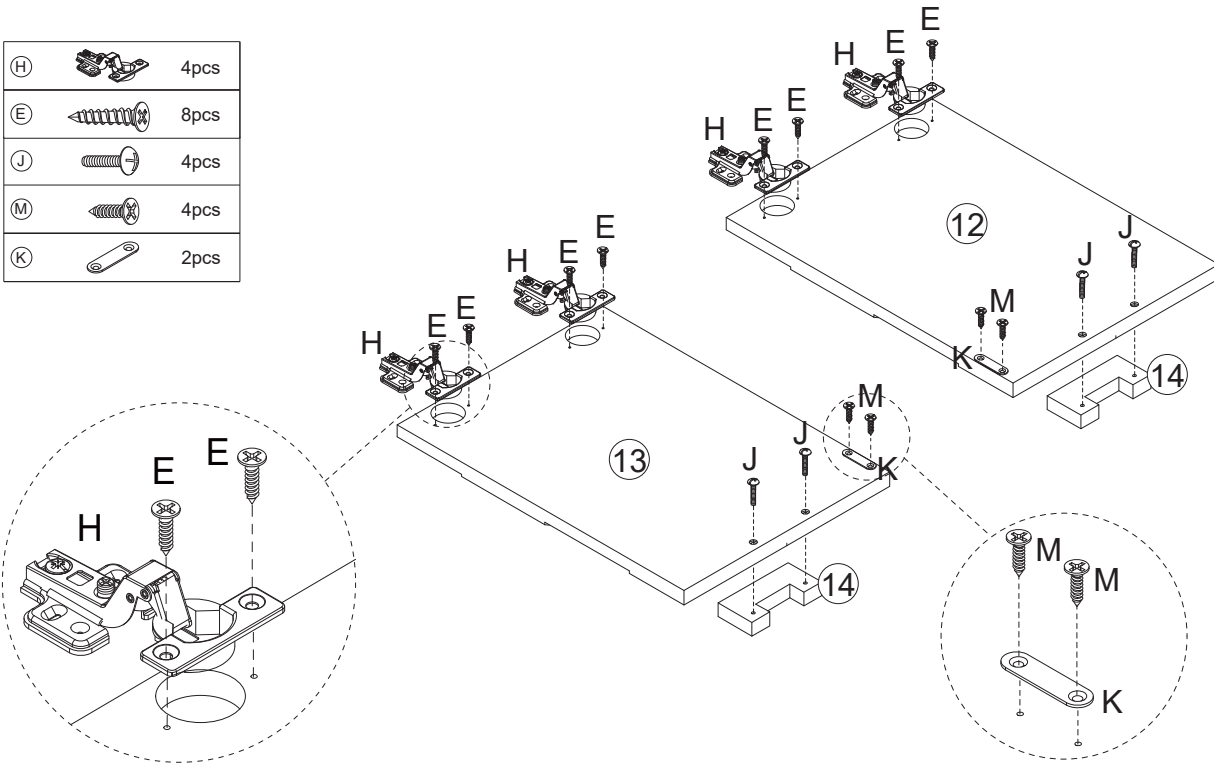
Step 8: Reinforce back plate 7&8 using part(F) with screw(G) as shown.

(F)		12pcs
(G)		12pcs



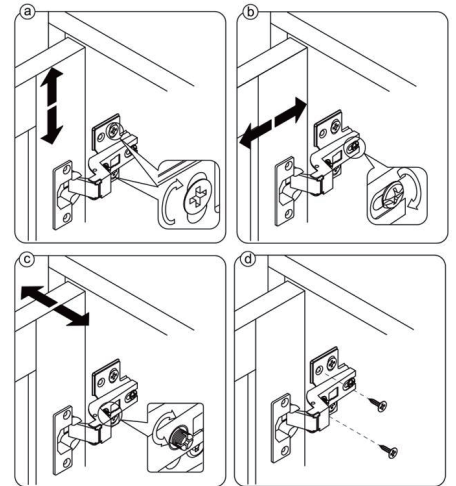
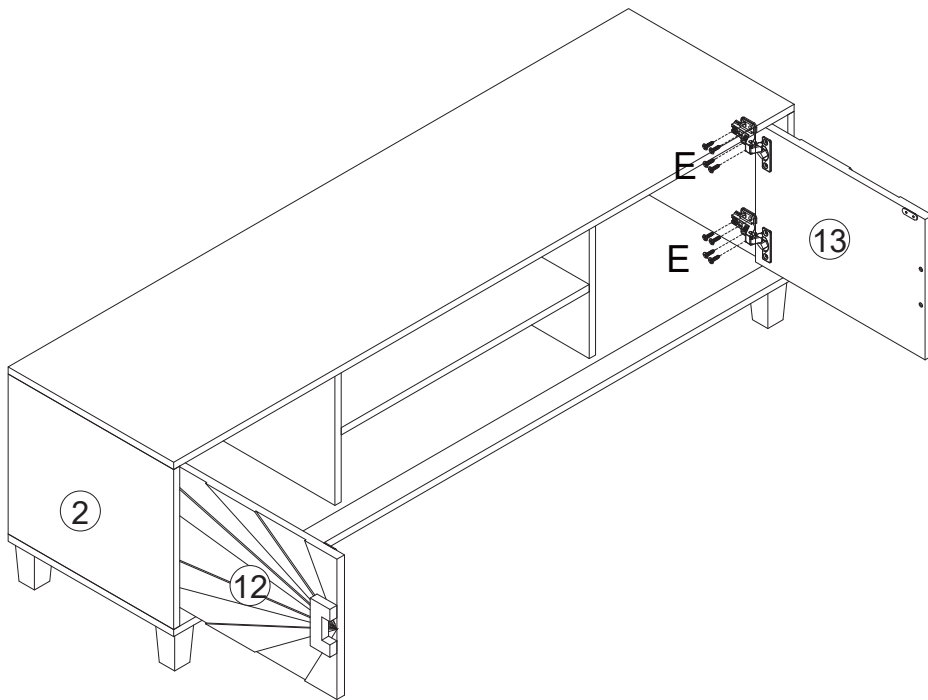
Step 9: Connect the hinges to Door 12&13.

(H)		4pcs
(E)		8pcs
(J)		4pcs
(M)		4pcs
(K)		2pcs

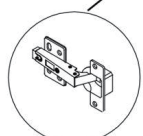


Step 10: Connect the hinges to Door 12&13.

(E)		16pcs
-----	---	-------



NOTE: If the doors are uneven or there is a gap in the middle, loosen or tighten the screw on the door hinge until they are sitting flush.



Step 11: Installation is complete. Enjoy using it.

