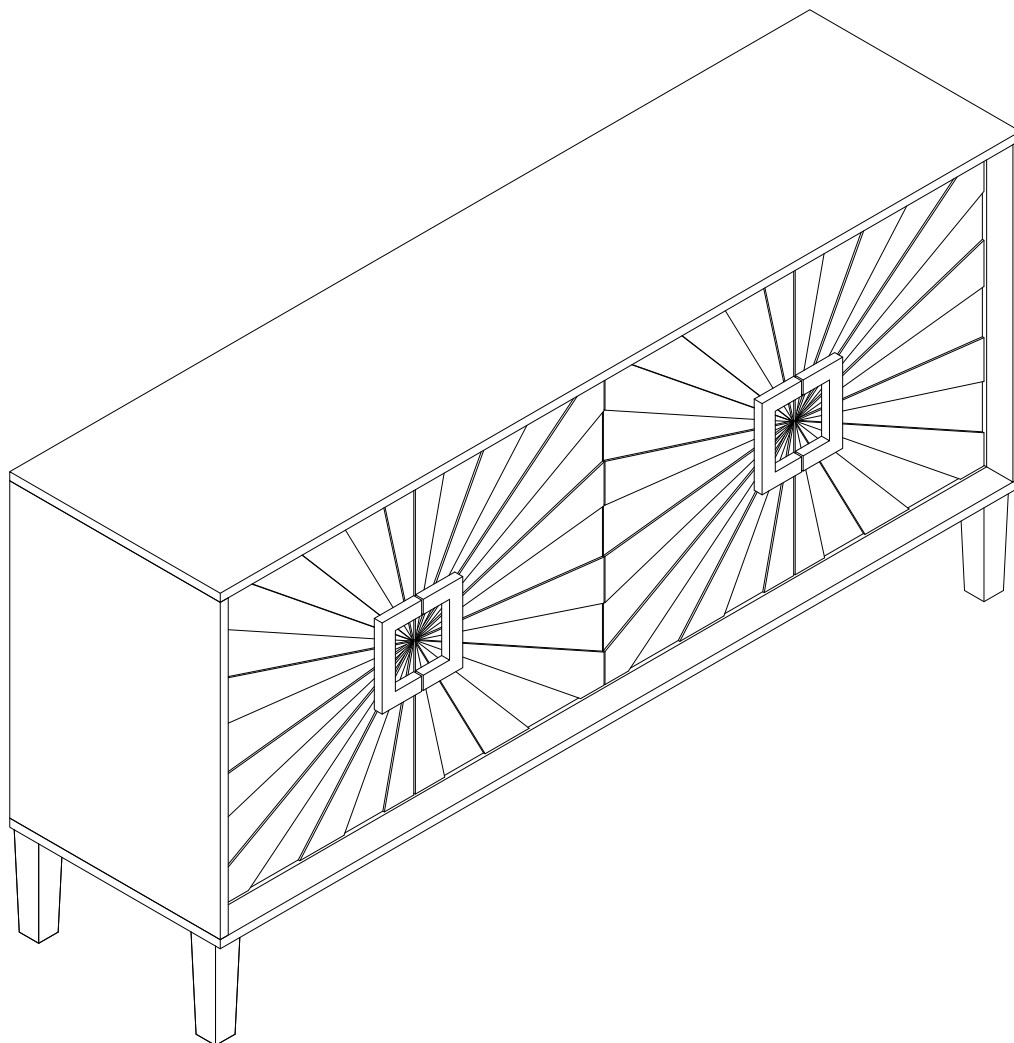
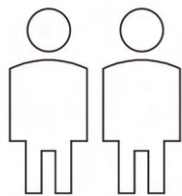


4 Door Sideboard



Up to 60 minutes
assembly time



Two person
assembly



Electric screwdriver
prohibited

This product is intended for domestic use only, not for commercial purposes.

IMPORTANT

ASSEMBLY TIP

Before you begin, it's best to identify all of the parts and fittings to build your 4 door sideboard frame. We advise laying these out on the floor to check you have everything, and to familiarise yourself with all of the parts and fittings before building.

TOP TIP

We recommend that you assemble the 4 door sideboard in the room you'd like it to be located. This will help prevent any risk of damage to the frame whilst moving it.

SAFETY AND CARE

1. It's important to ensure children and animals are kept away from the assembly area, as there are small components in this product which could present a choking hazard. All plastic and wrapping materials should also be kept away from children and animals to prevent any risk of suffocation.
2. Do not stand on your product.
3. Always use the item on firm level ground, ensuring all legs remain in contact with the ground.
4. Place heaviest items in the lowest drawers.
5. Do not set TV or other heavy objects on top of the product.
6. Children should always be under supervision whilst using this product. Never allow children to climb on the drawers.
7. Never keep more than one drawer open at the same time.
8. In order to prevent overturning, this product must be used with the wall attachment device provided.
9. Serious or fatal crushing injuries can occur from tipping furniture.

HELP AND SUPPORT

Please contact our customer service team on 0113 519 0311 if you have any questions or issues with your purchase.

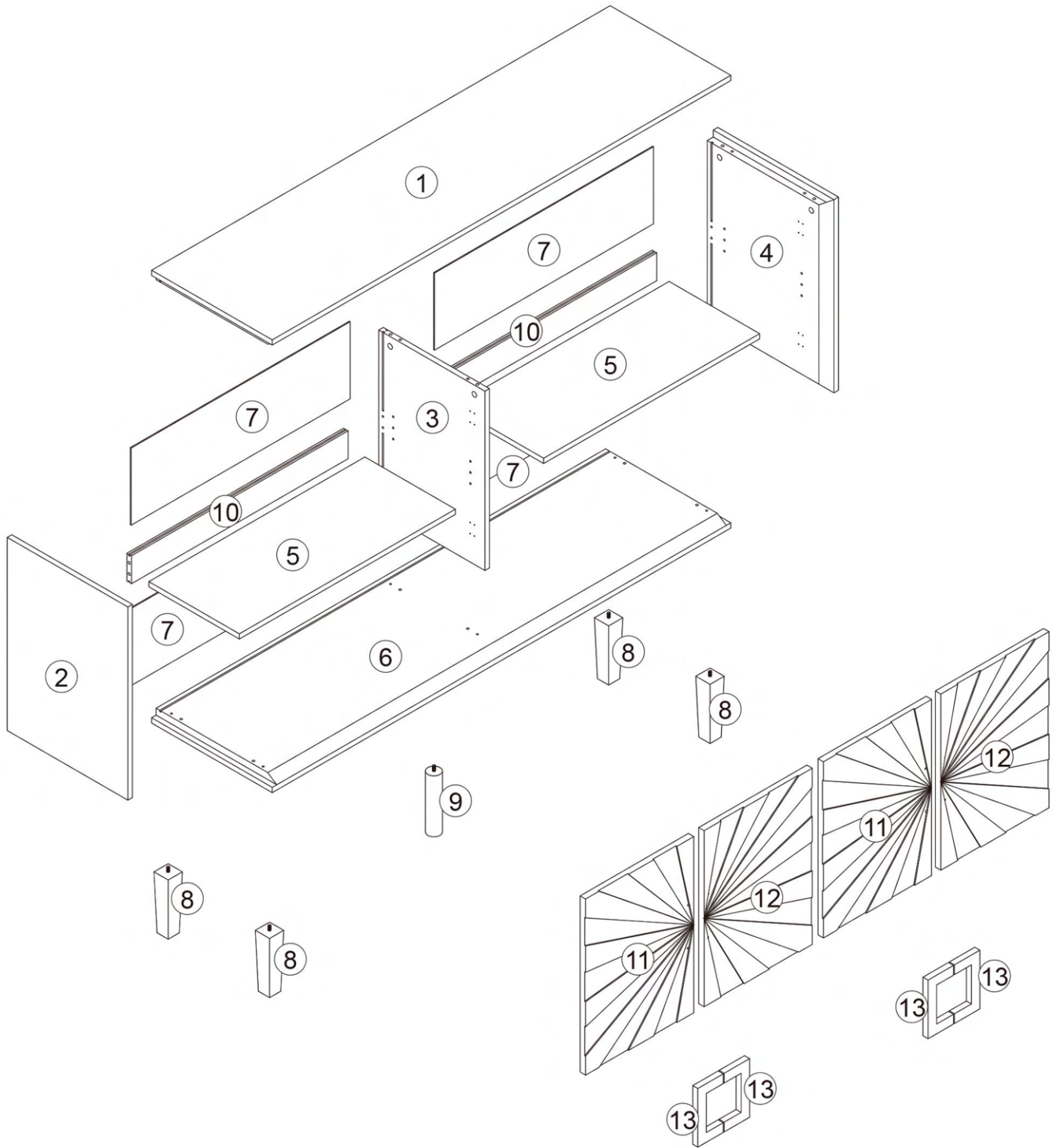
RECYCLING

Please ensure that packaging is disposed of in a safe and environmentally friendly way, and recycle where possible. Please keep your assembly instructions safe to refer back to in the future.

CARE AND MAINTENANCE

1. Only clean using a damp cloth, do not use liquid bleach or abrasive cleaners as they may damage the finish over time.
2. Do not use a very wet cloth or allow any liquid to contact with the surface for a long period of time. Wipe any spillage immediately. Absorption can cause wood to warp or finishes to de-laminate.
3. Do not scrub or rub the surface when cleaning.
4. Do not drag the 4 door sideboard when moving, lift off the floor instead.
5. Use a placemat or a coaster when putting hot items (e.g. hot drinks and dishes) on the wood surface.
6. It is not recommended to place the item next to sources of heat such as radiators, fires or directly exposed to sunlight. This may cause the wood to crack, split or fade due to the heat or humidity.
7. Wood will mellow and change colour over time. We recommend that ornaments and items placed on the surface to be moved regularly to prevent uneven mellowing.
8. Regularly check all fittings to ensure none have come loose. Re-tighten if necessary.
9. Avoid sharp items such as a screwdriver or any pointy tools.

Parts list




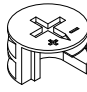

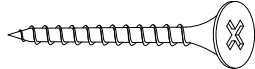
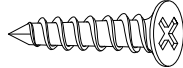


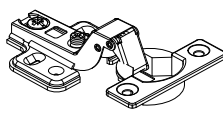
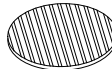
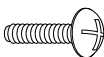
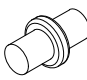





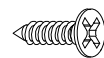

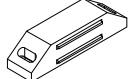

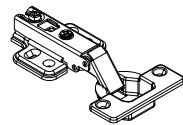
Parts list

Before you begin building your 4 door sideboard, please take a moment to read through the instructions and make sure that you have all the relevant parts listed on the parts check list.

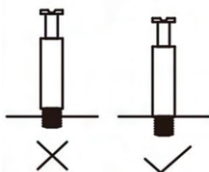
Part Number	Part Description	Quantity	Box No
1	Top Panel	1 pc	Box 1
2	Left side plate	1 pc	Box 1
3	Middle panel	1 pc	Box 1
4	Right side plate	1 pc	Box 1
5	Adjustable shelf	2 pcs	Box 1
6	Bottom plate	1 pc	Box 1
7	Back Panel	4 pcs	Box 1
8	Leg	4 pcs	Box 1
9	Middle support leg	1 pc	Box 1
10	Back panel strip	2 pcs	Box 1
11	Door	2 pcs	Box 1
12	Door	2 pcs	Box 1
13	Handle	4 pcs	Box 1

Fittings Checklist

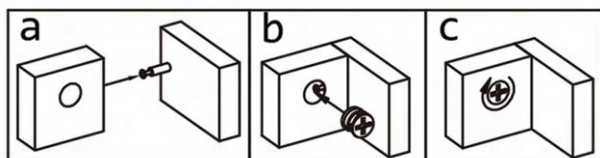
Please check you have all the fittings listed below with your product in Box 1.

<p>A</p>  <p>M6x35mm Cam Bolt x14 pcs(+2 extra)</p>	<p>B</p>  <p>Ø15x9mm Cam Lock x14pcs(+2 extra)</p>	<p>C</p>  <p>Ø8x30mm Wood Dowel x12pcs(+2 extra)</p>
<p>D</p>  <p>M5x60mm Screw x6 pcs(+1 extra)</p>	<p>E</p>  <p>M4x14mm Screw x48pcs(+5 extra)</p>	<p>F</p>  <p>Plastic Buckle x16pcs(+2 extra)</p>
<p>G</p>  <p>M3x14mm Screw x20pcs(+2 extra)</p>	<p>H</p>  <p>Hinge x4pcs</p>	<p>I</p>  <p>Cover x6pcs</p>
<p>J</p>  <p>M6x30mm Bolt x8pcs(+1 extra)</p>	<p>K</p>  <p>Shelf support x8pcs(+1 extra)</p>	<p>O x2</p>  <p>150*20mm O₁</p>  <p>O₂ x2</p>  <p>4*16mm O₃</p>  <p>3*30mm O₄</p>  <p>6*30mm O₅</p>
<p>M</p>  <p>M3x12mm Screw x4pcs</p>	<p>N</p>  <p>Screwdriver x1pc</p>	
<p>P</p>  <p>Door Catch x2pcs</p>	<p>Q</p>  <p>Door Strike Plate x4pcs</p>	<p>R</p>  <p>Hinge x4pcs</p>

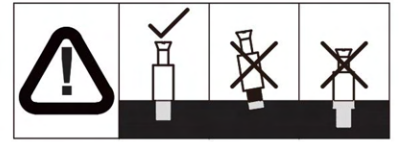
Ensure the cam lock screws are installed correctly, as indicated by the "check mark" below.





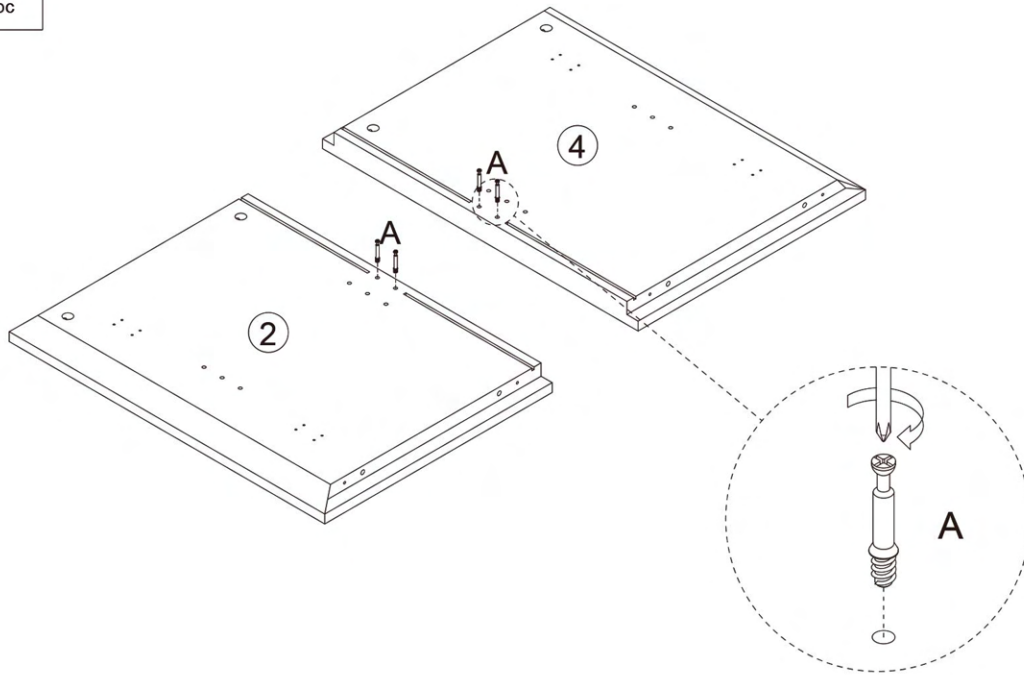
Refer to the illustration below to correctly use the cam lock screws for assembling the panels.




Step 1: Install the eccentric rod A onto panels 2&4.

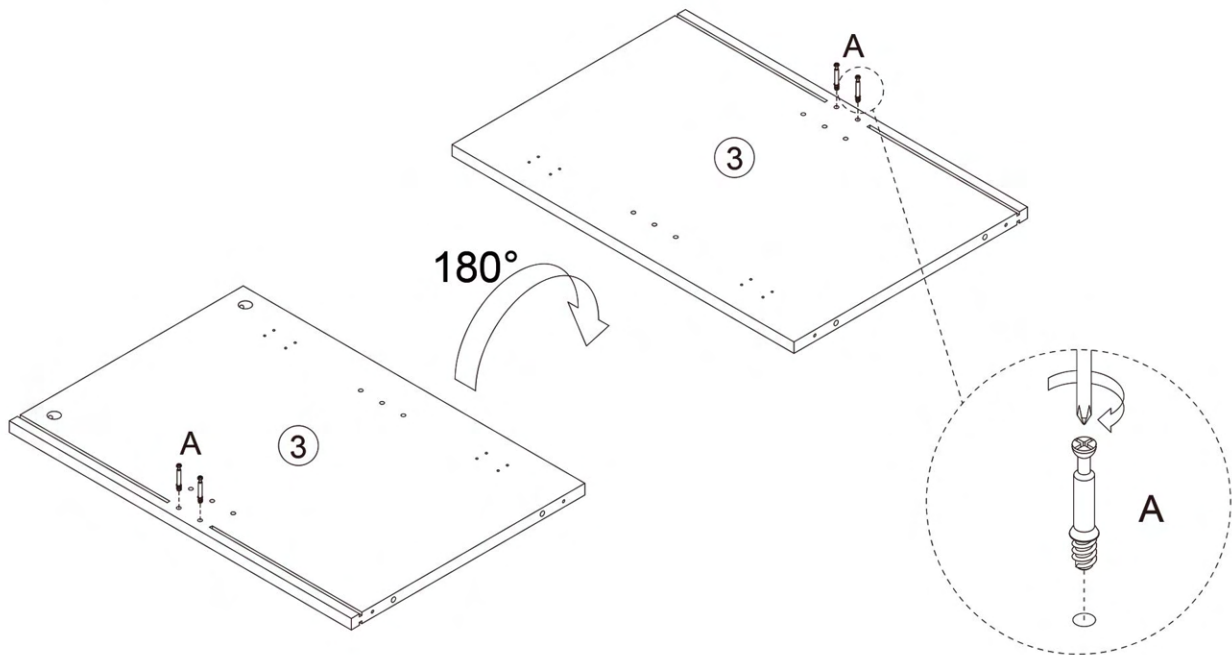


- (A)  4pcs
- (N)  1pc

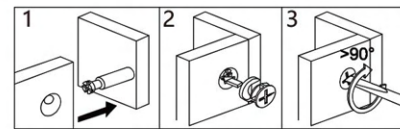


Step 2: Install the eccentric rod A onto panels 3.

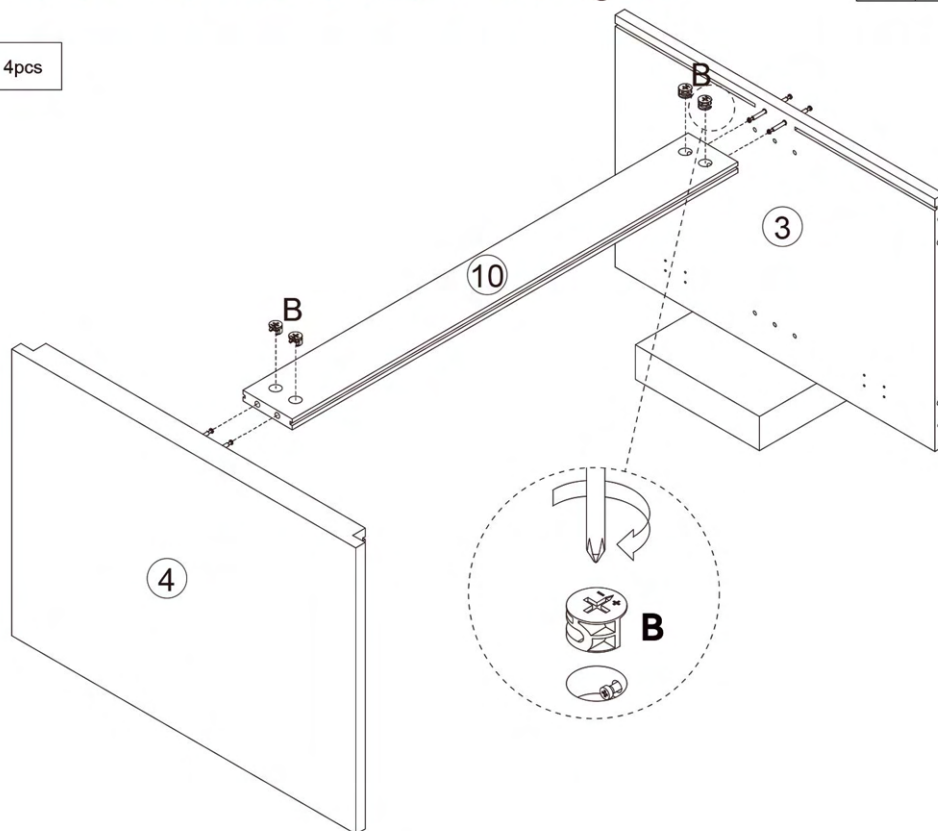
- (A)  4pcs



Step 3: Find a piece of foam and place it under Panel 3.
Connect panels 3&4 to panel 10 ,
and then turn eccentric wheel B clockwise to tighten.

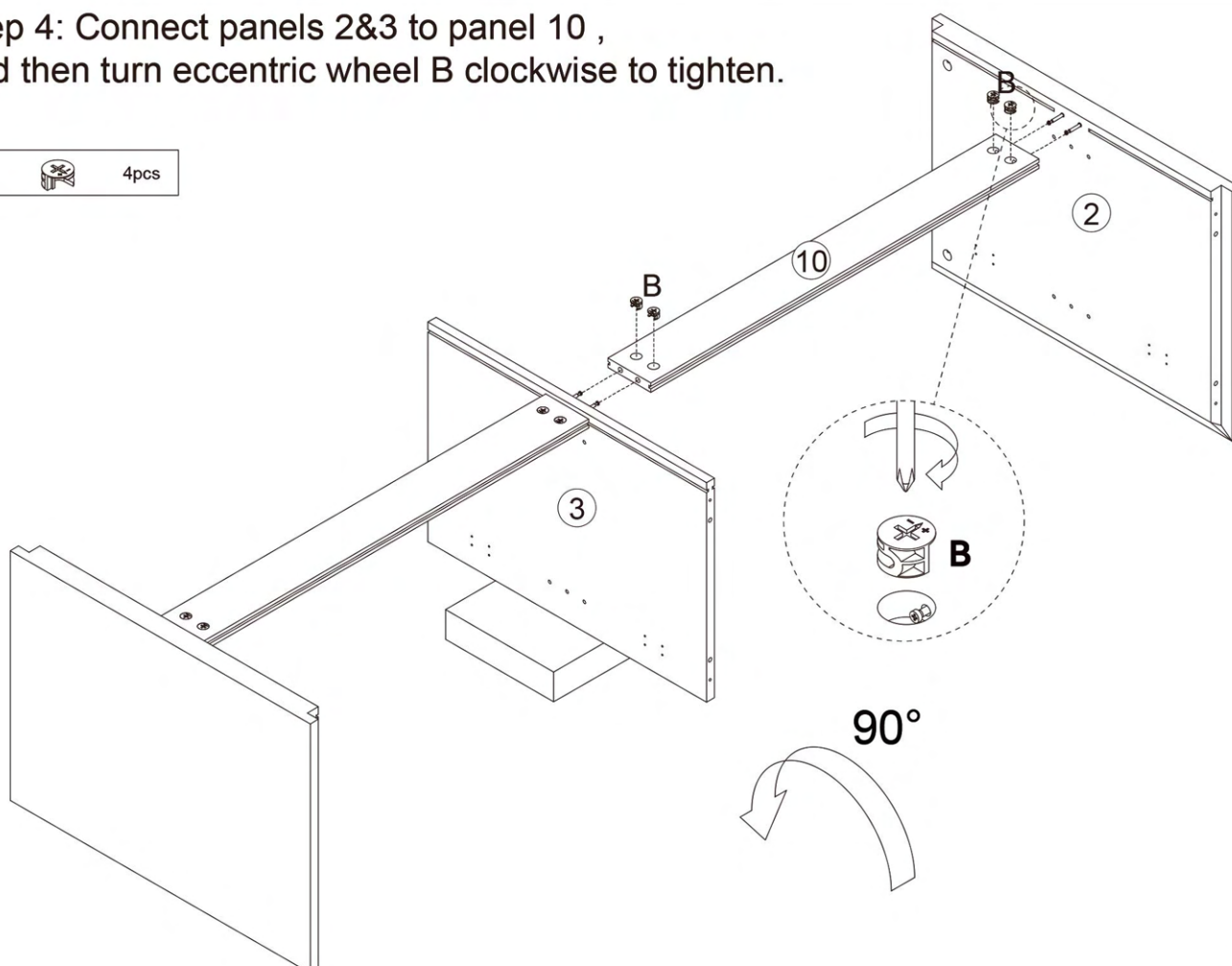


(B)  4pcs

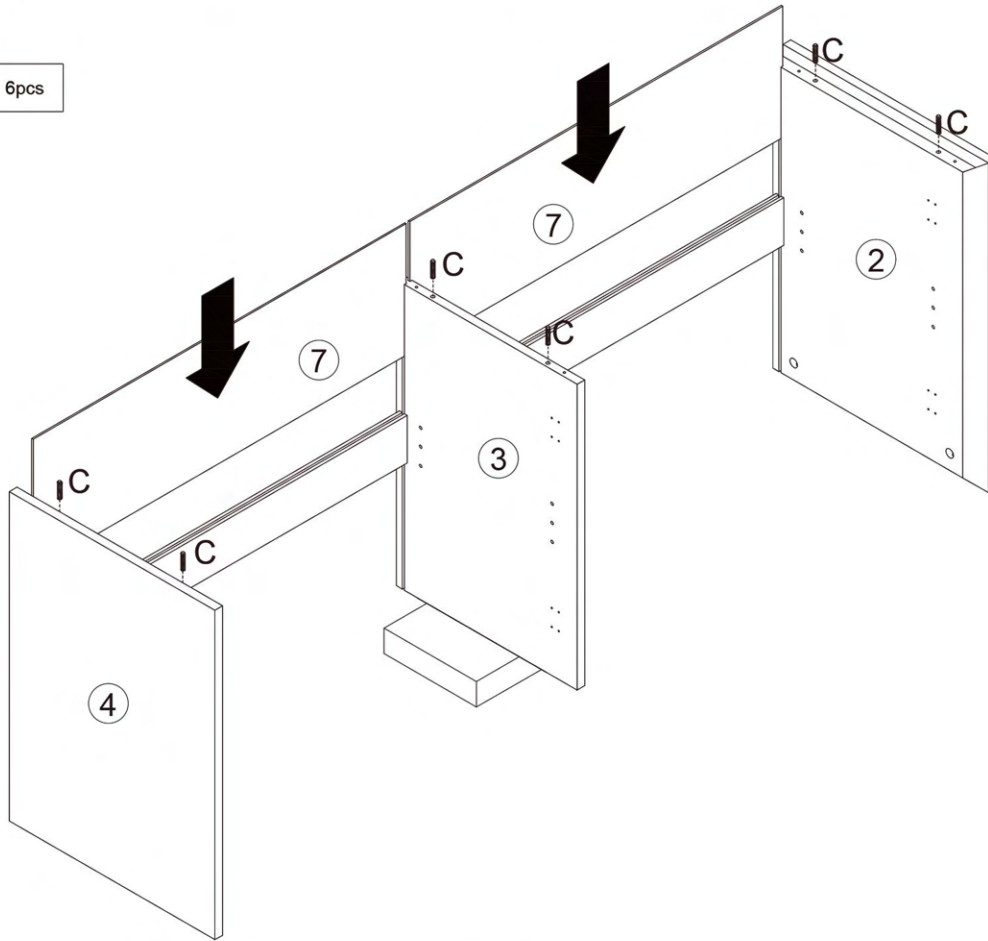


Step 4: Connect panels 2&3 to panel 10 ,
and then turn eccentric wheel B clockwise to tighten.

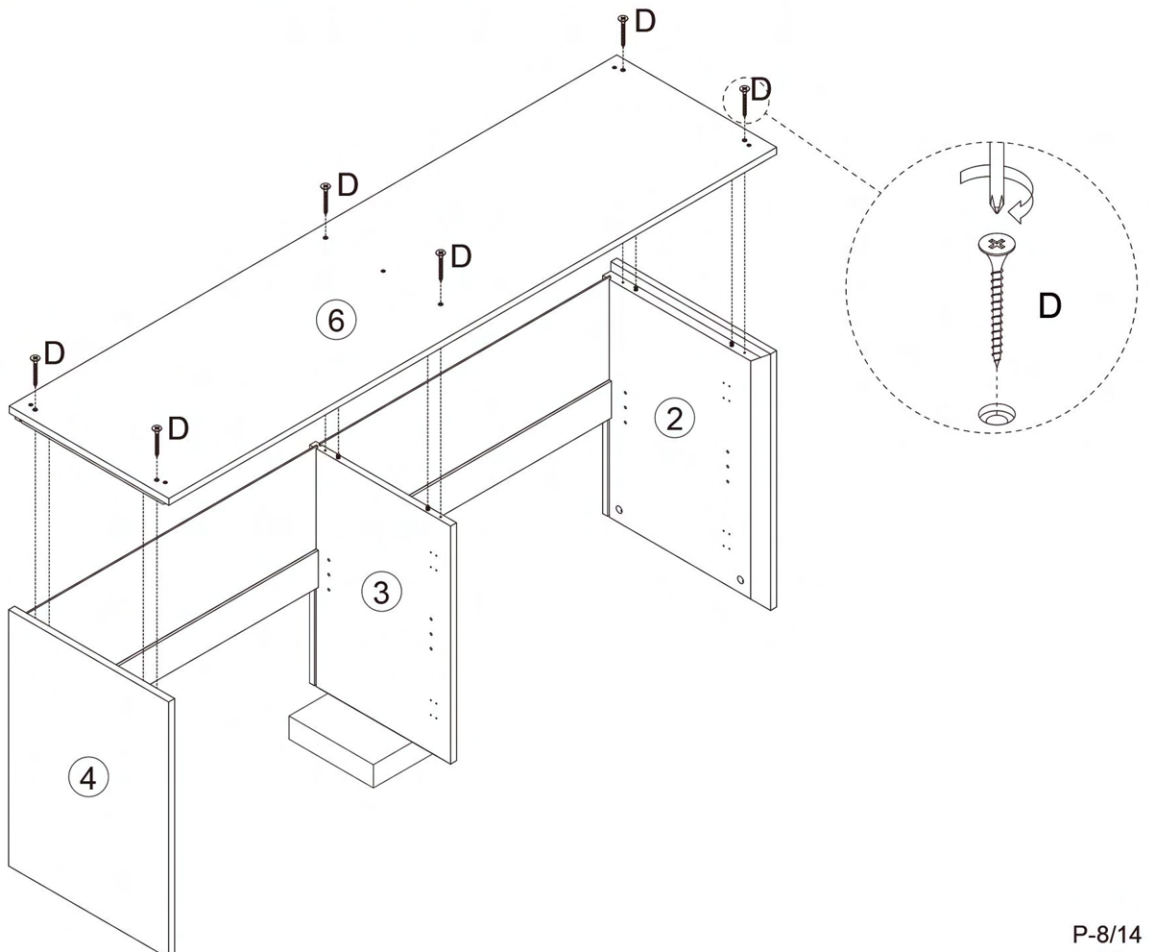
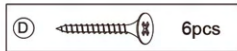
(B)  4pcs



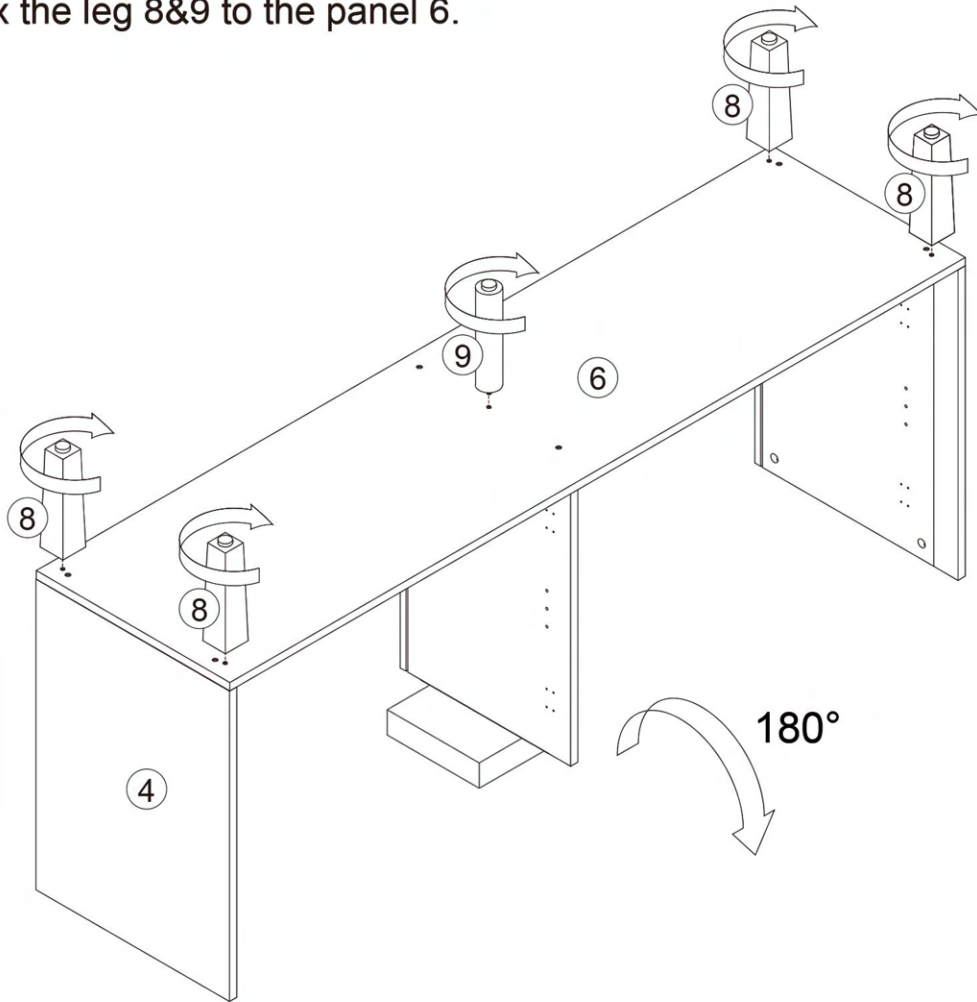
Step 5: Insert the back plate 7 into the slot and then place the wooden tenon C.



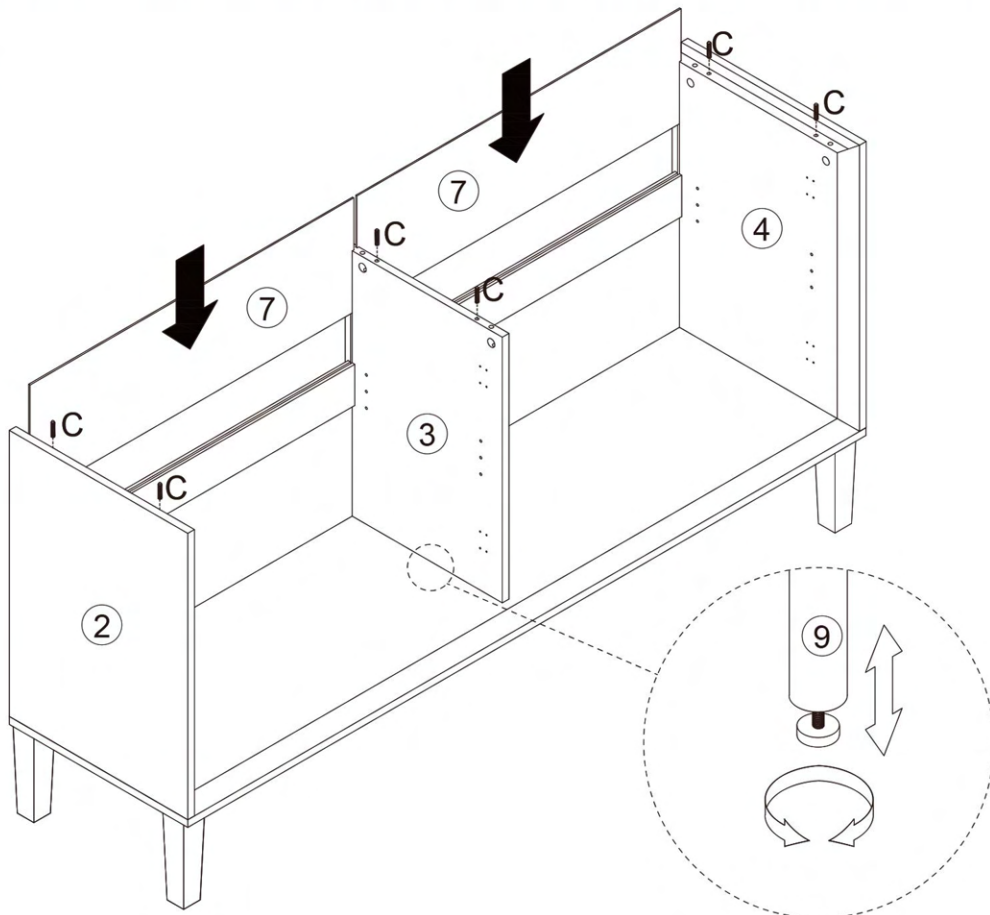
Step 6: Connect panel 4 to the assembled panel with D screws.



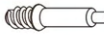


Step 7: Fix the leg 8&9 to the panel 6.

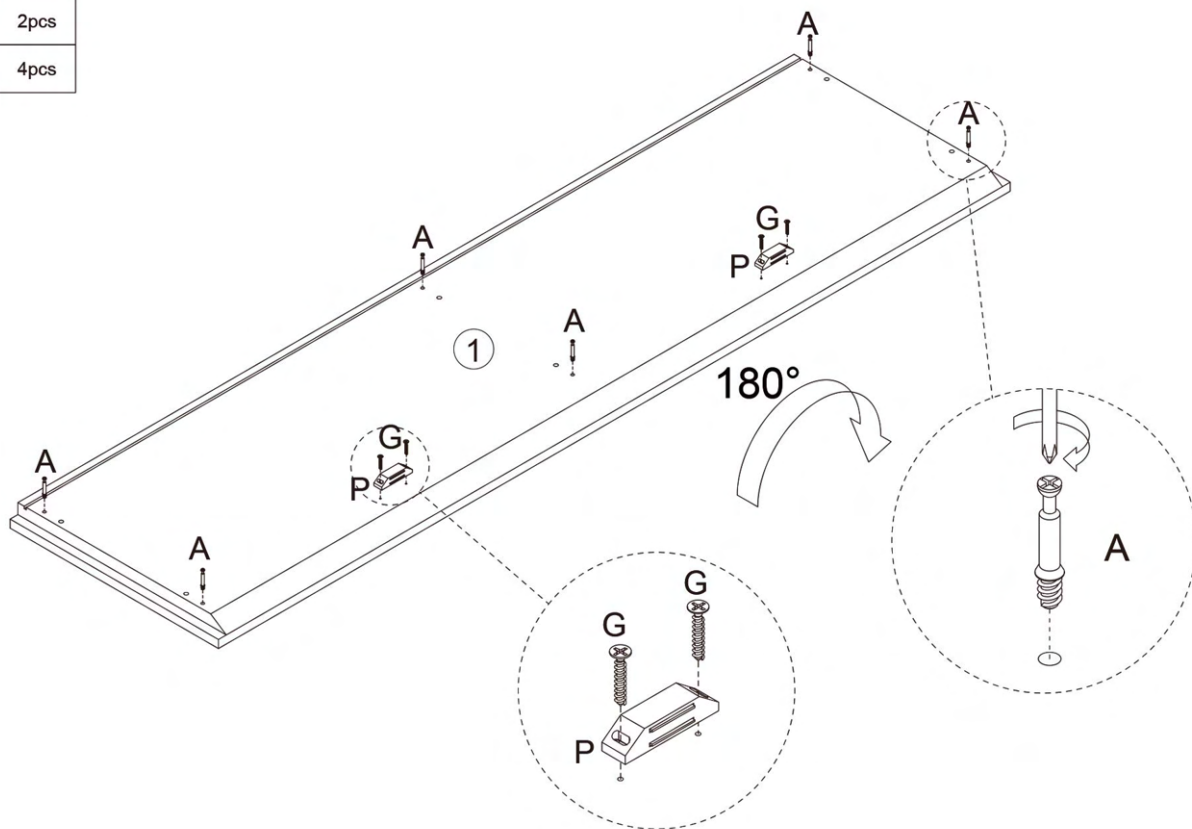


Step 8: Insert the back plate 7 into the slot and then place the wooden tenon C.



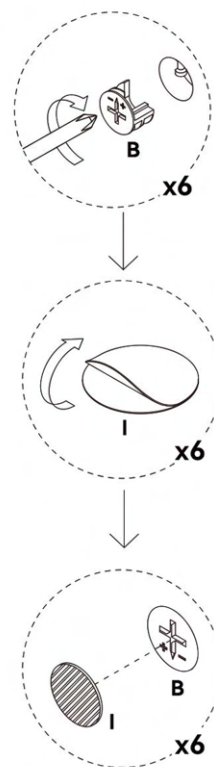
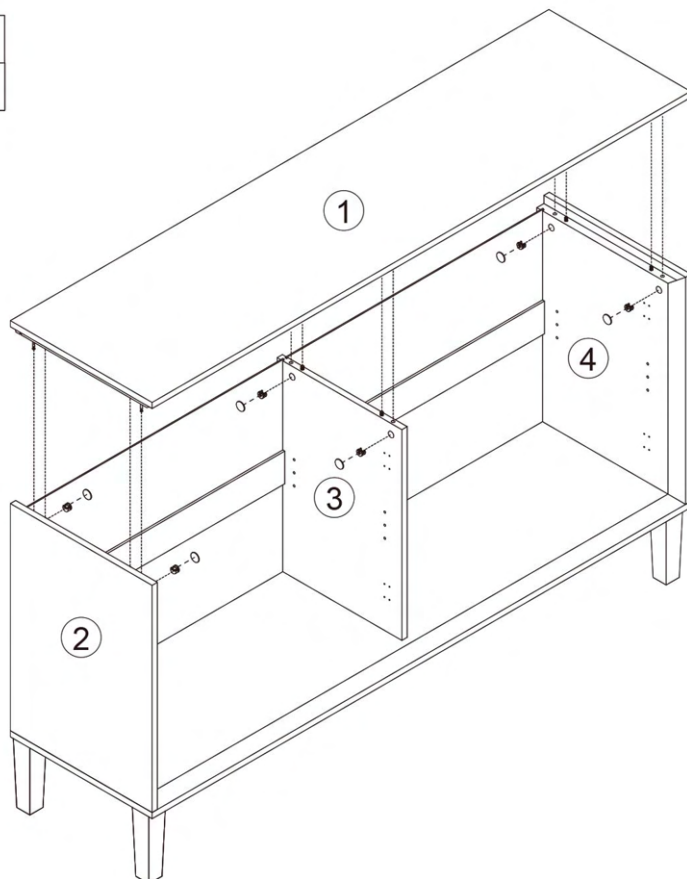
Step 9: Install the eccentric rod A onto panels 1.
Fix the door latch P to the panel 1 with screw G.

(A)		6pcs
(P)		2pcs
(G)		4pcs

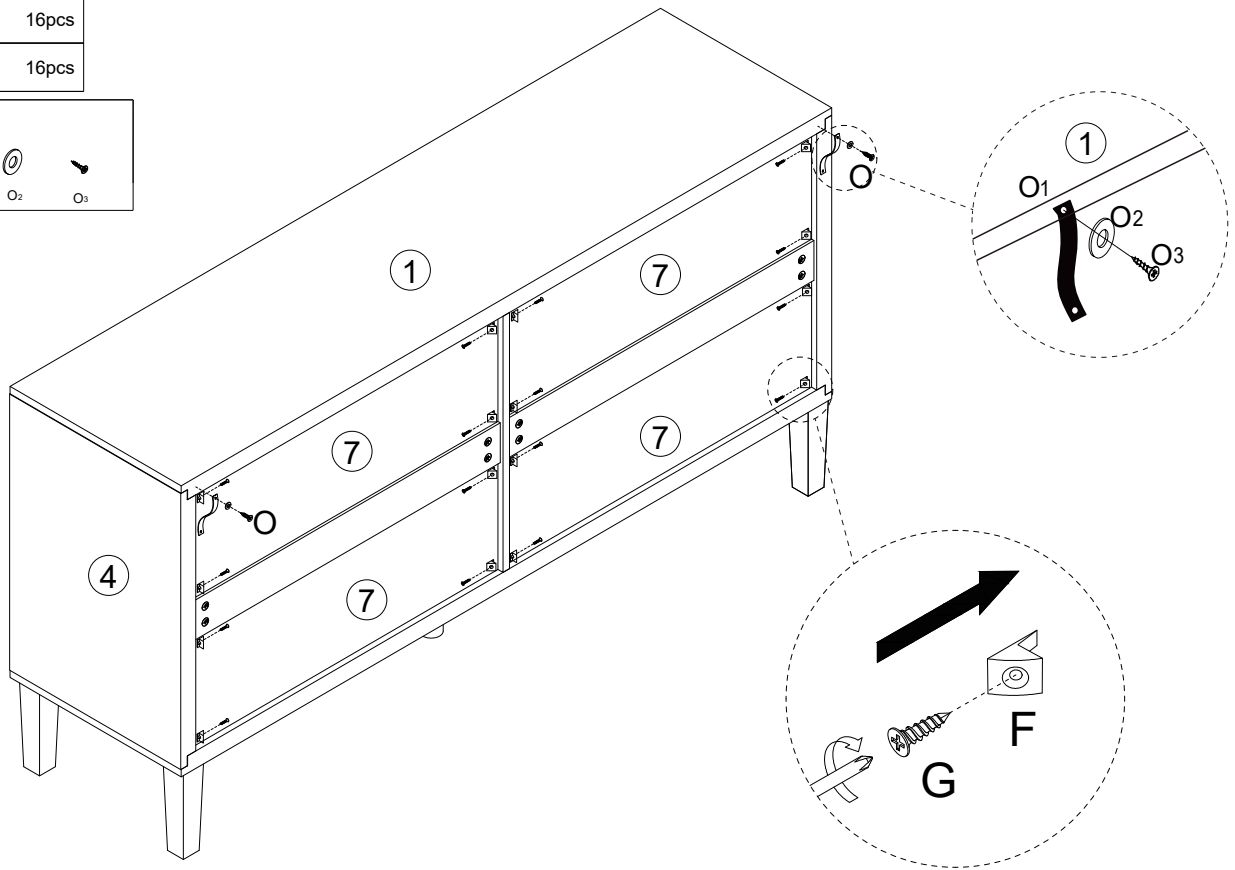
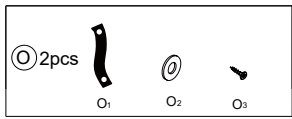
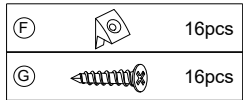


Step 10: Connect panels 1 to panel 2&3&4 ,
and then turn eccentric wheel B clockwise to tighten.
and stick on the hole sticker I.

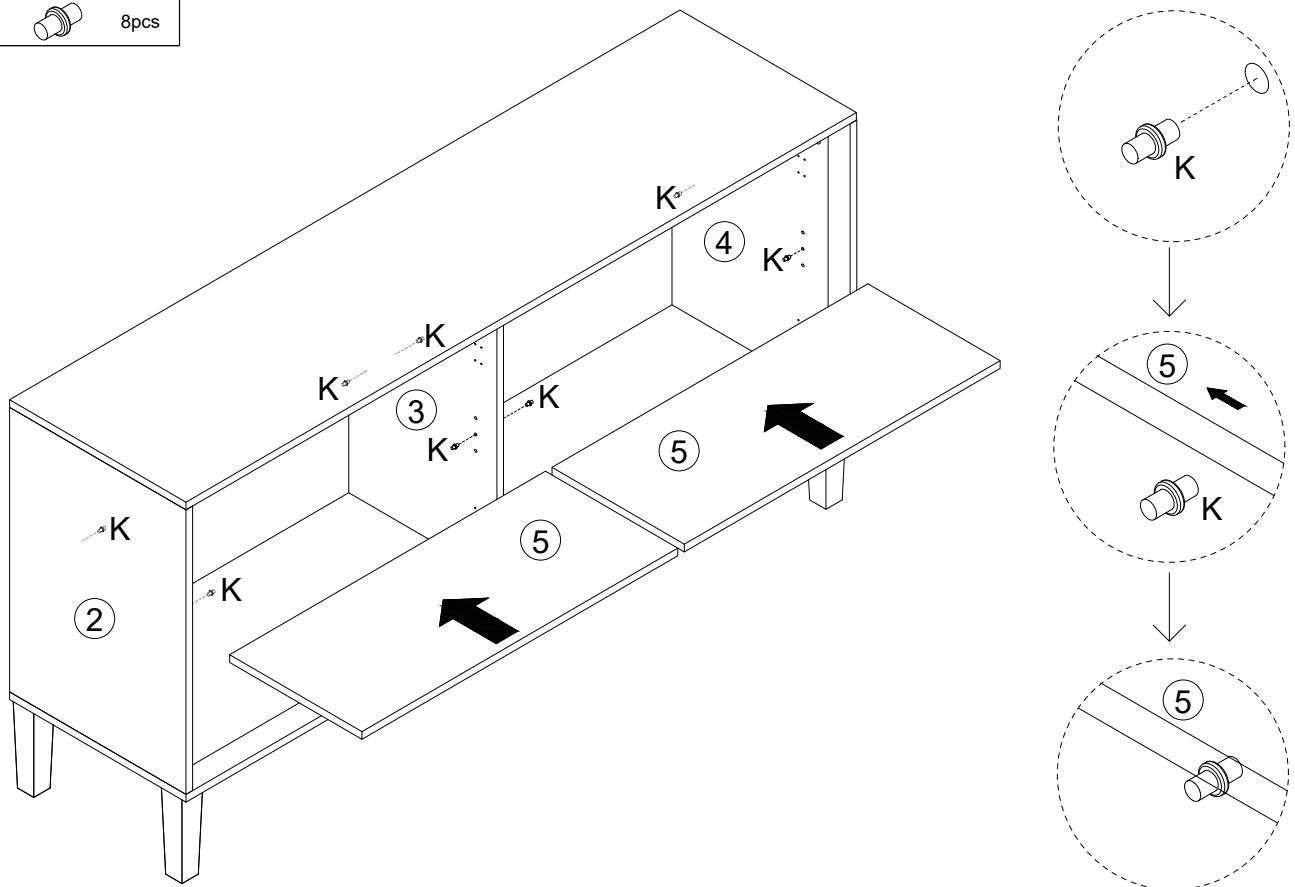
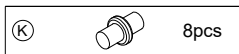
(B)		6pcs
(I)		6pcs




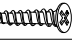
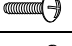


Step 11: Reinforce back plate 7 using part(F) with screw(G) as shown.
Install anti-toppling devices.

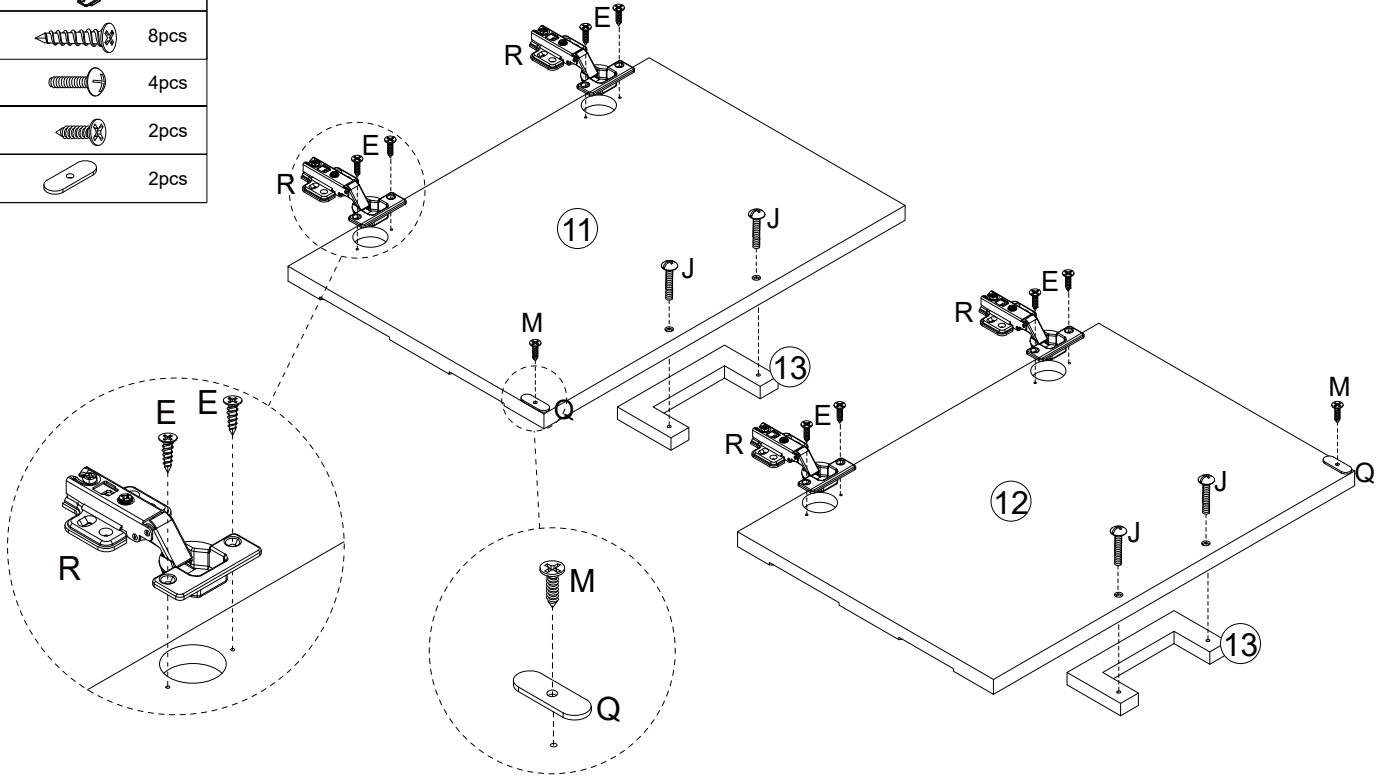


Step 12: Place the support on the shelf into panels 2&3&4, Put it into Panel 5.

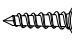


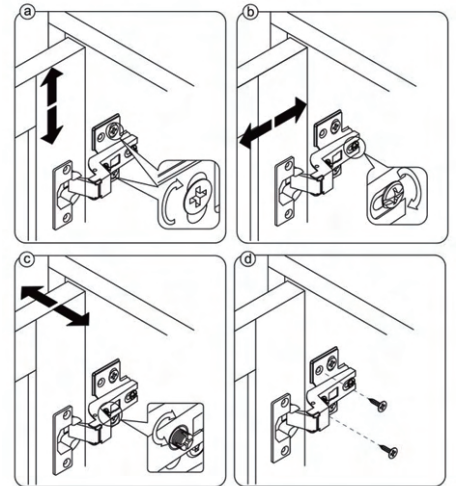
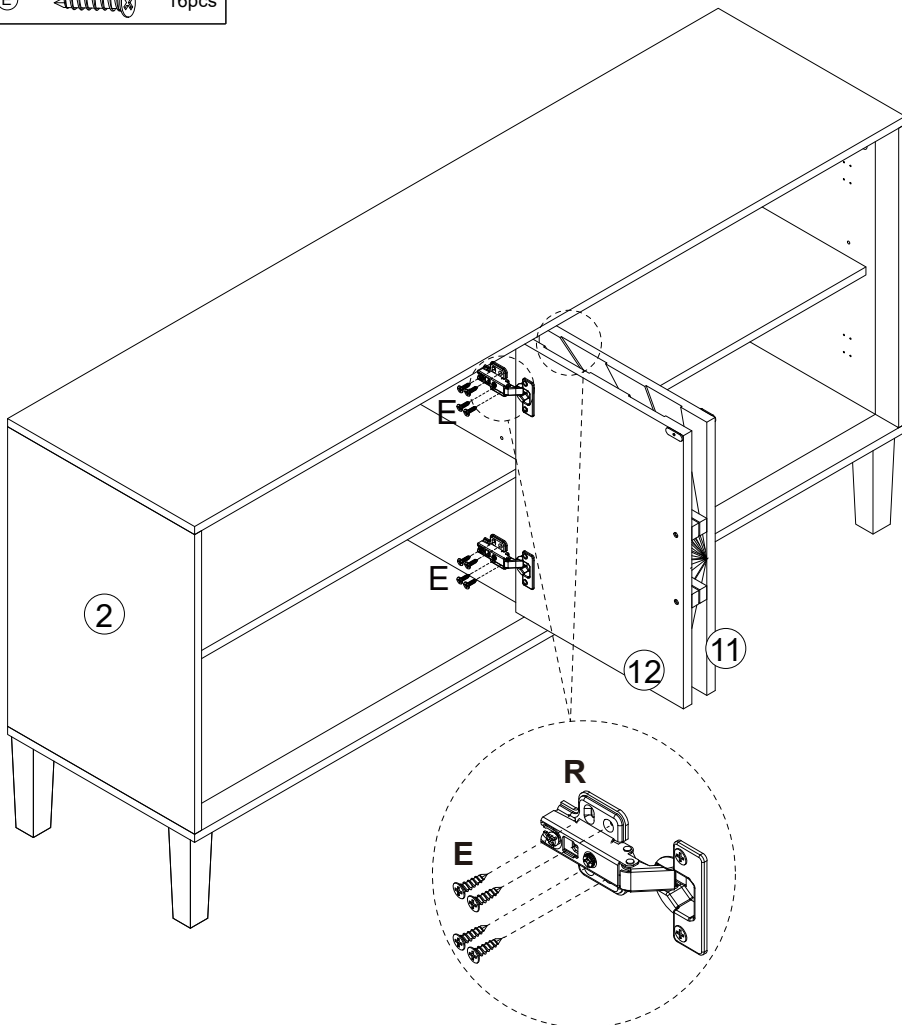
Step 13: Connect the hinges to Door 11&12.

Ⓡ		4pcs
ⓔ		8pcs
Ⓝ		4pcs
Ⓜ		2pcs
Ⓠ		2pcs

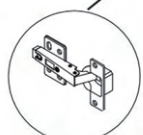


Step 14: Connect the hinges to Door 11&12.

ⓔ		16pcs
---	---	-------

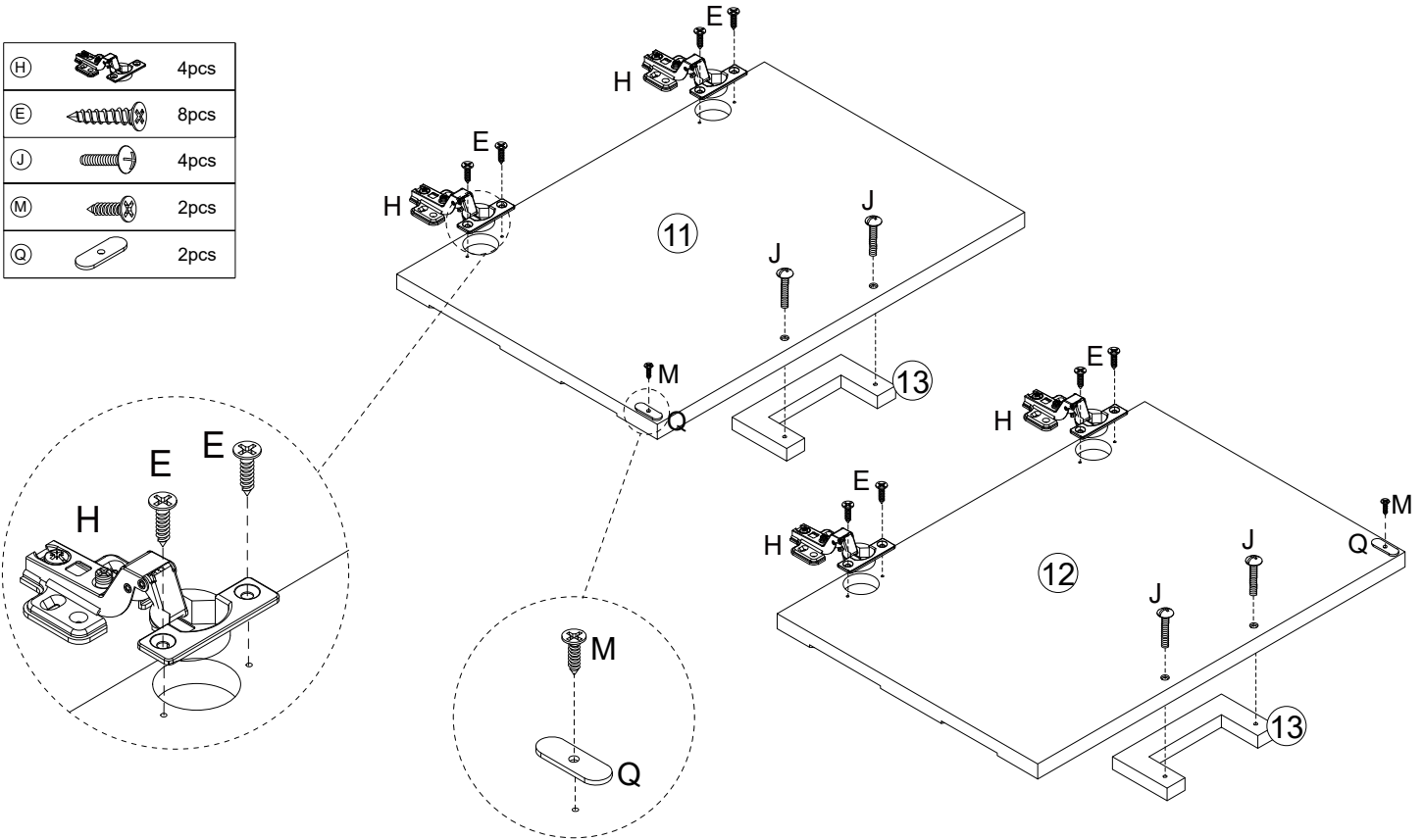


NOTE: If the doors are uneven or there is a gap in the middle, loosen or tighten the screw on the door hinge until they are sitting flush.



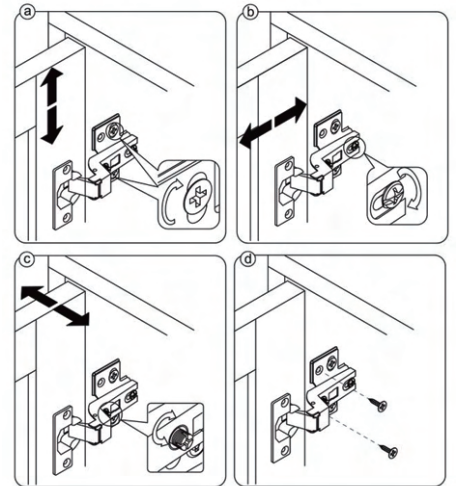
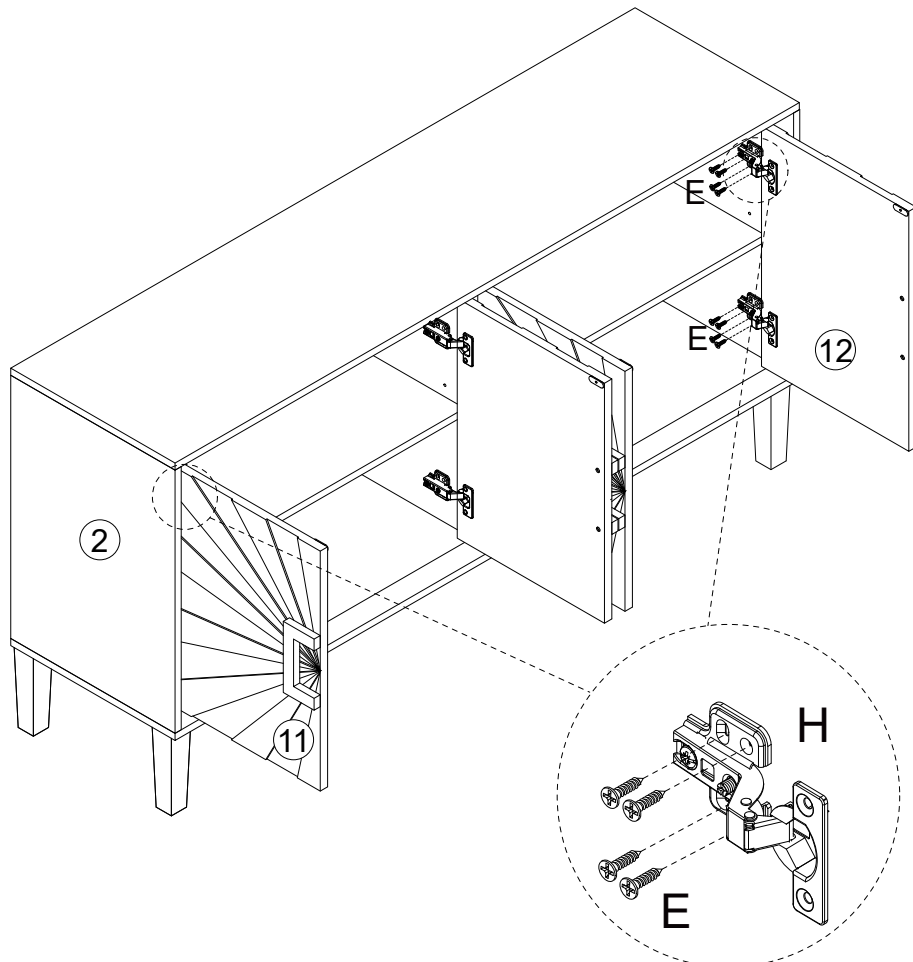
Step 15: Connect the hinges to Door 11&12.

(H)		4pcs
(E)		8pcs
(J)		4pcs
(M)		2pcs
(Q)		2pcs



Step 16: Connect the hinges to Door 11&12.

(E)		16pcs
-----	--	-------



NOTE: If the doors are uneven or there is a gap in the middle, loosen or tighten the screw on the door hinge until they are sitting flush.

Step 17: Install anti-toppling devices.

