

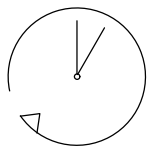
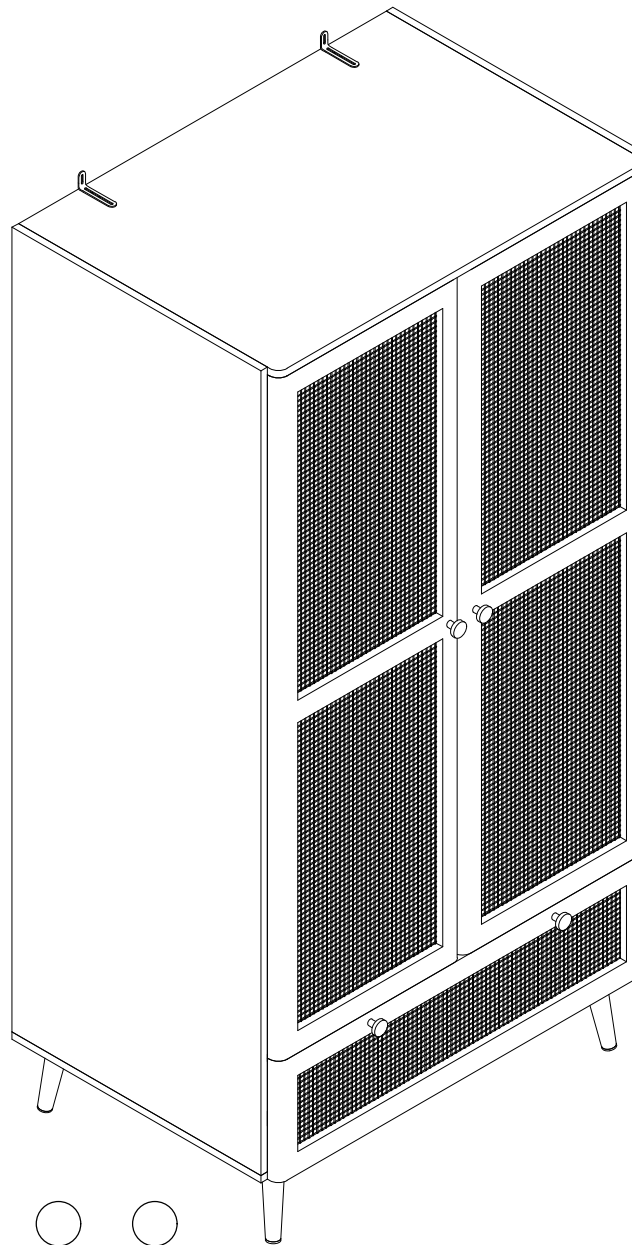
DUSK.COM

LIVING | BEDROOM | DINING

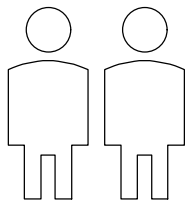
Range Name : Aurelia

Box dimensions : 176x67.5x20.5cm

Aurelia Curved Rattan 2 Door 1 Drawer Wardrobe



Up to 60 minutes
assembly time



Two persons
assembly

This product is intended for domestic use only, not for commercial purposes.

P-1-22

IMPORTANT

ASSEMBLY TIP

Before you begin, it's best to identify all of the parts and fittings to build your Aurelia Curved Rattan 2 Door 1 Drawer Wardrobe frame. We advise laying these out on the floor to check you have everything, and to familiarise yourself with all of the parts and fittings before building.

TOP TIP

We recommend that you assemble the Aurelia Curved Rattan 2 Door 1 Drawer Wardrobe in the room you'd like it to be located. This will help prevent any risk of damage to the frame whilst moving it.

SAFETY AND CARE

It's important to ensure children and animals are kept away from the assembly area, as there are small components used in this product which could present a choking hazard. All plastic and wrapping materials should also be kept away from children and animals to prevent any risk of suffocation.

HELP AND SUPPORT

Please contact our customer service team on 0113 519 0311 if you have any questions or issues with your purchase.

RECYCLING

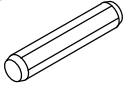
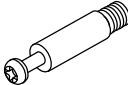
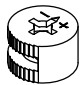


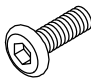
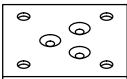
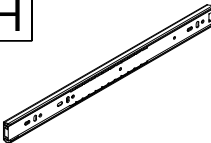
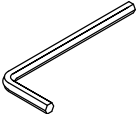

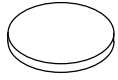
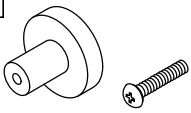

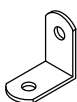
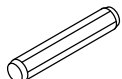



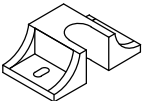
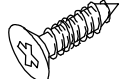
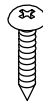
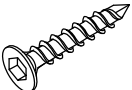
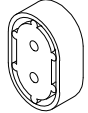
Please ensure that packaging is disposed of in a safe and environmentally friendly way, and recycle where possible. Please keep your assembly instructions safe to refer back to in the future.

CARE AND MAINTENANCE:

1. Only clean using a damp cloth, do not use bleach or abrasive cleaners as they may damage the finish over time.
2. Do not use a very wet cloth or allow any liquid to contact with the veneer for a long period of time. Wipe any spillage immediately. Absorption can cause wood to warp or finishes to de-laminate.
3. Do not scrub or rub the surface when cleaning.
4. Do not drag the Aurelia Curved Rattan 2 Door 1 Drawer Wardrobe when moving, lift it off the floor instead.
5. Use a placemat or a coaster when putting hot items (e.g. hot drinks and dishes) on the wood surface.
6. It is not recommended to place the item next to sources of heat such as radiators, fires or directly exposed to sunlight. This may cause the wood to crack, split or fade due to the heat and humidity.
7. Wood will mellow and change colour over time, we recommend that ornaments and items placed on the surface to be moved regularly to prevent uneven mellowing.
8. Regularly check all fixings to ensure none have come loose. Re-tighten if necessary.
9. Avoid sharp items such as a screwdriver or any pointy tools.
10. Dispose of all packaging carefully and responsibly - recycle where possible.

Fittings

Please check you have all the fittings listed below with your product.

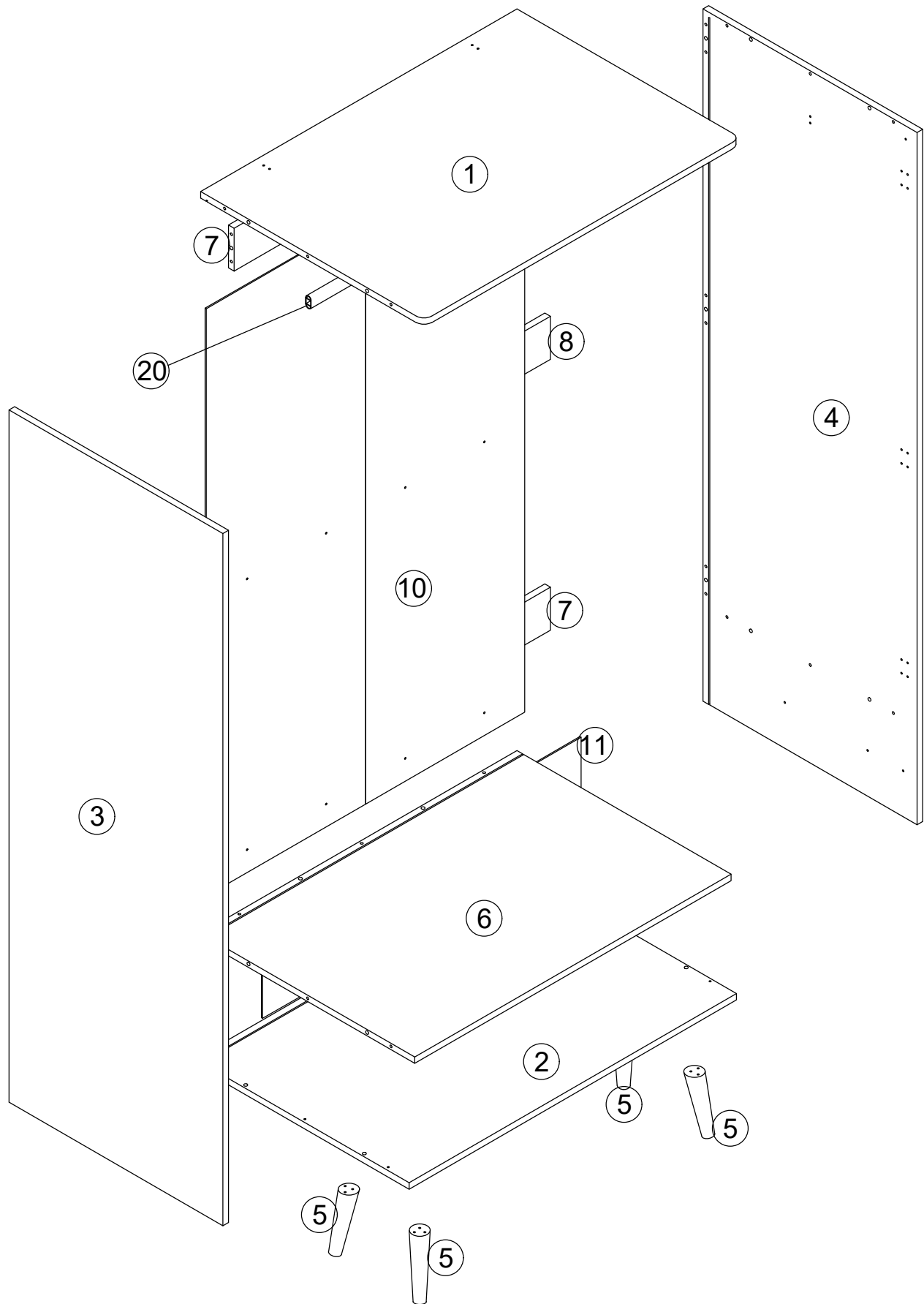
| | | | | |
|---|---|--|---|---|
| <p>A</p>  <p>Ø8x30mm Dowel 22pcs+3pcs extra</p> | <p>B</p>  <p>M6*35mm Bolt 35pcs+4pcs extra</p> | <p>C</p>  <p>Ø15x9.5mm Cam Lock 35pcs+4pcs extra</p> | <p>D</p>  <p>M4*35mm Screw 17pcs+2pcs extra</p> | <p>E</p>  <p>M3*12mm Screw 14pcs+1pc extra</p> |
| <p>F</p>  <p>M6*12mm Screw 16pcs+2pcs extra</p> | <p>G</p>  <p>Foot Iron 4pcs</p> | <p>H</p>  <p>Ball Bearing Slide 2pcs</p> | <p>I</p>  <p>Ø4mm Allen Key 1pc</p> | <p>J</p>  <p>Insert Hinge 6pcs</p> |
| <p>K</p>  <p>Hole Gasket 10pcs+1pc extra</p> | <p>L</p>  <p>Handle M4*22mm Screw 4sets</p> | <p>M</p>  <p>Anti-Tip Iron Sheet 2pcs</p> | <p>N</p>  <p>Supporting Iron 2pcs</p> | <p>O</p>  <p>Ø6x30mm Dowel 4pcs</p> |
| <p>P</p>  <p>M4*12mm Screw 8pcs+1pc extra</p> | <p>R</p>  <p>Plastic buckle M3*16mm Screw 6sets</p> | <p>S</p>  <p>Foot Gasket 4pcs</p> | <p>T</p>  <p>Door Stop 1pc</p> | <p>U</p>  <p>M4*14mm Screw 40pcs+5pcs extra</p> |
| <p>V</p>  <p>M3*10mm Screw 8pcs+1pc extra</p> | <p>X</p>  <p>M5*40mm Screw 6pcs</p> | <p>Z</p>  <p>Rod Supports the Base 2sets</p> | | |

Before you begin building your Willow Bedside, please take a moment to read through the instructions and make sure that you have all the relevant parts listed on the parts check list.

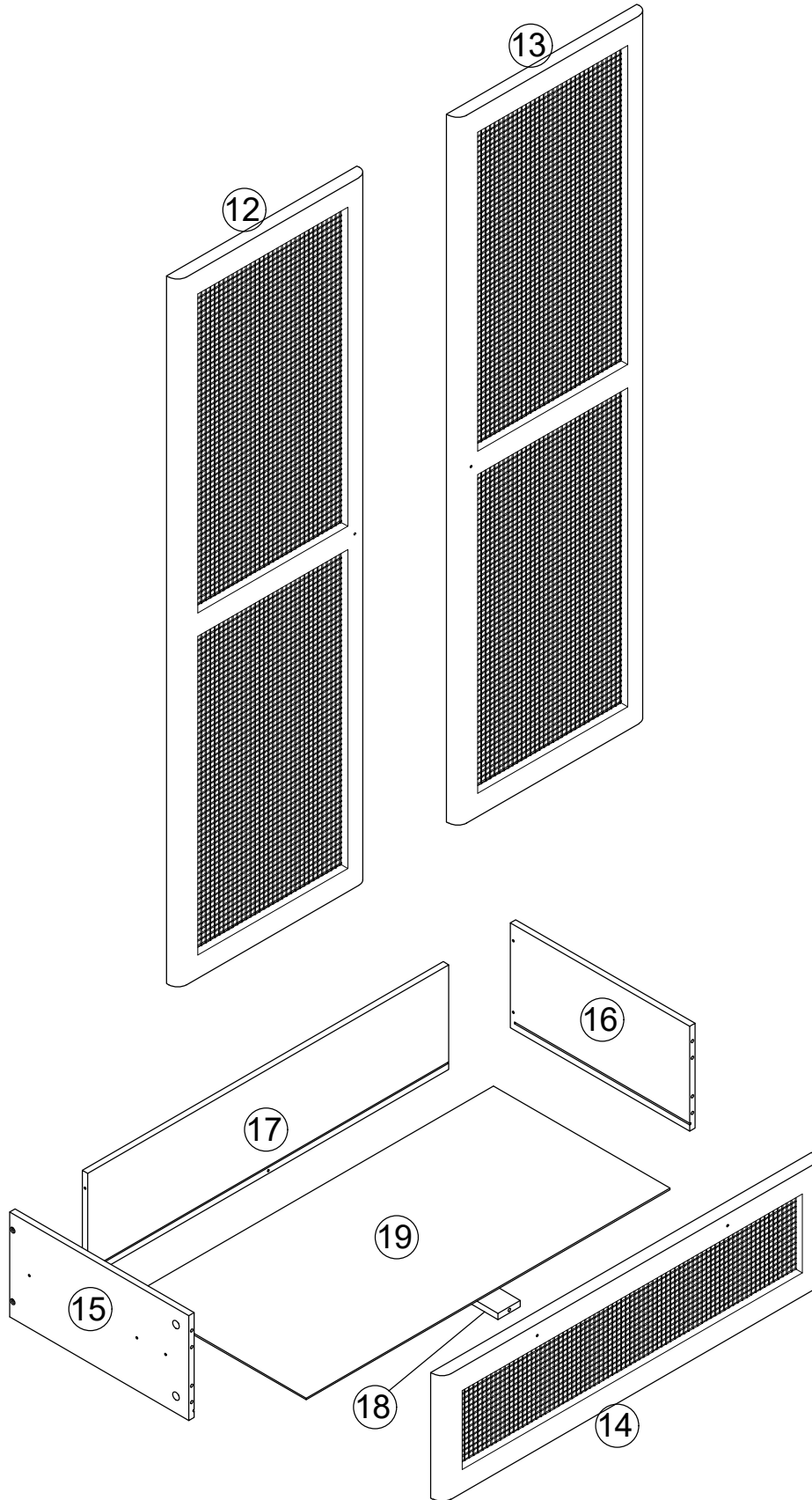
PART CHECK LIST

| NO. | Part List | QTY | NO. | Part List | QTY |
|-----|------------------------|------|-----|----------------------|-----|
| 1 | Top | 1pc | 16 | Drawer Right Side | 1pc |
| 2 | Bottom Panel | 1pc | 17 | Drawer Back Side | 1pc |
| 3 | Left Side Panel | 1pc | 18 | Drawer Support Strip | 1pc |
| 4 | Right Side Panel | 1pc | 19 | Drawer Bottom | 1pc |
| 5 | Leg | 4pcs | 20 | Clothes Hanger | 1pc |
| 6 | Mid Panel | 1pc | | | |
| 7 | Back Support Strip | 2pcs | | | |
| 8 | Mid Back Support Strip | 1pc | | | |
| 10 | Top Back Panel | 1pc | | | |
| 11 | Bottom Back Panel | 1pc | | | |
| 12 | Left Front Door | 1pc | | | |
| 13 | Right Front Door | 1pc | | | |
| 14 | Drawer Front | 1pc | | | |
| 15 | Drawer Left Side | 1pc | | | |

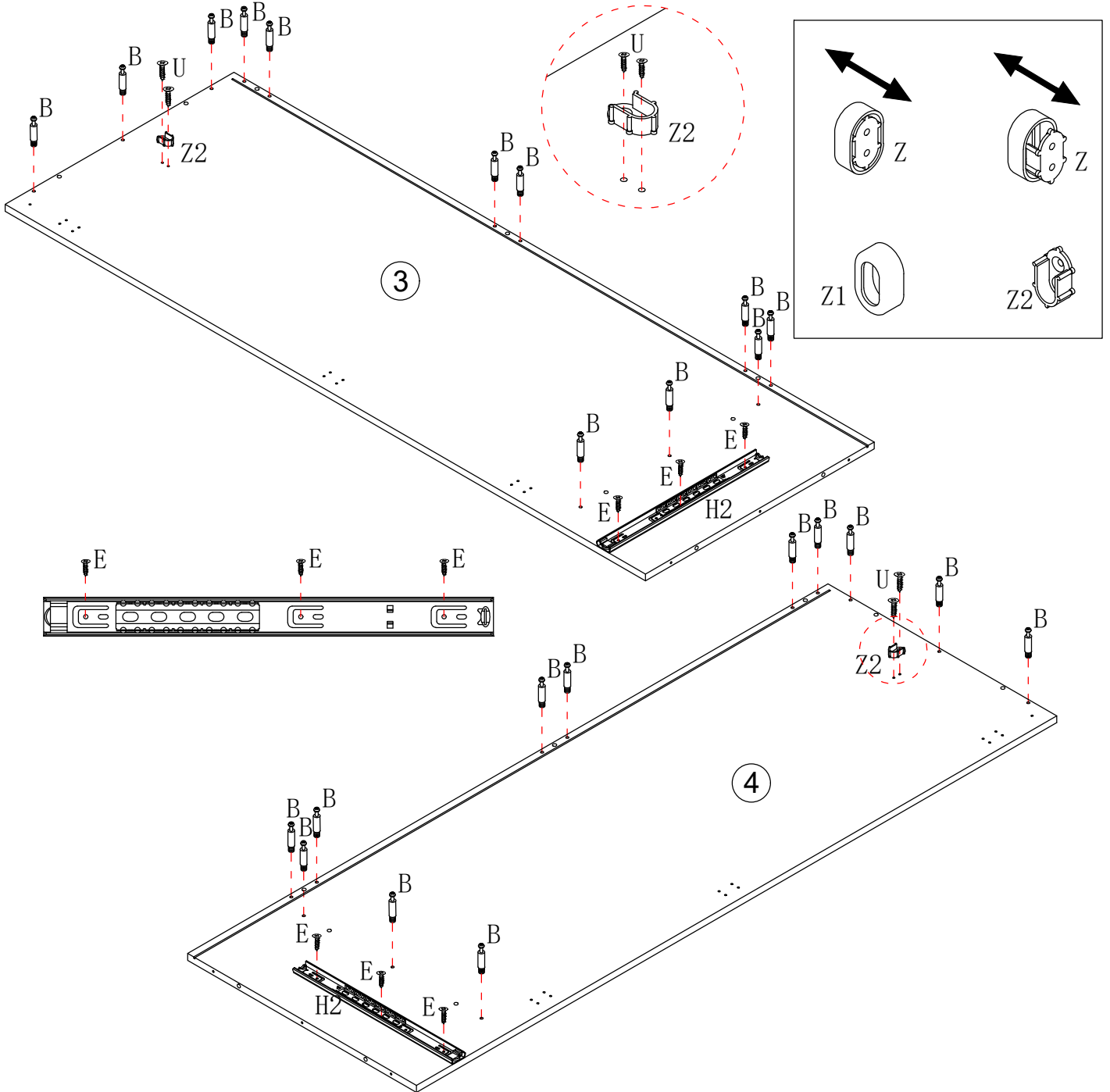
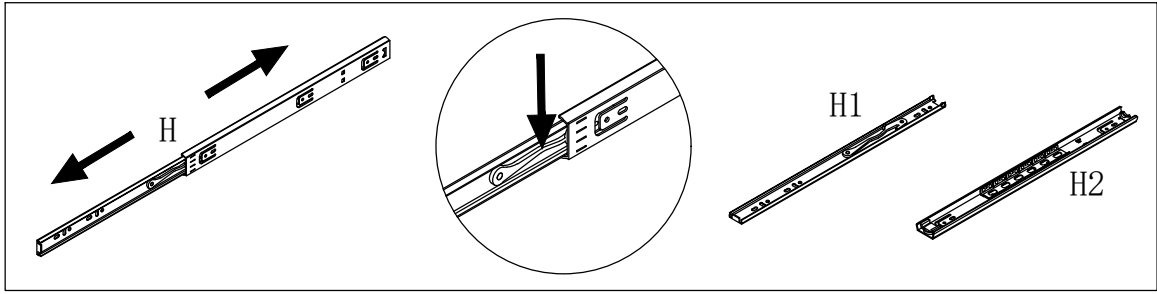
Parts list

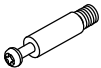

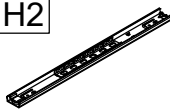
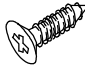



Parts list

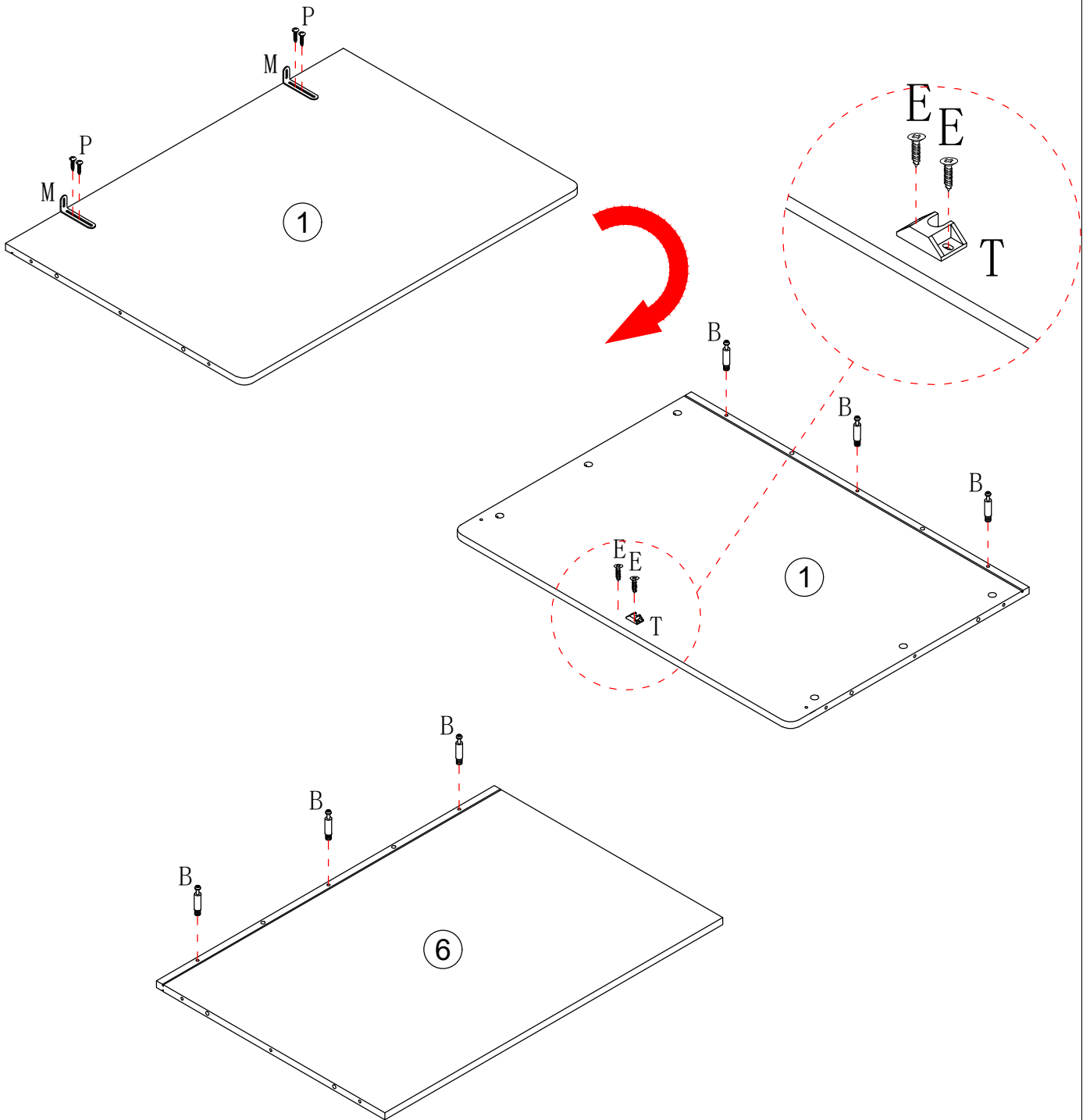


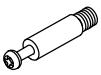




1



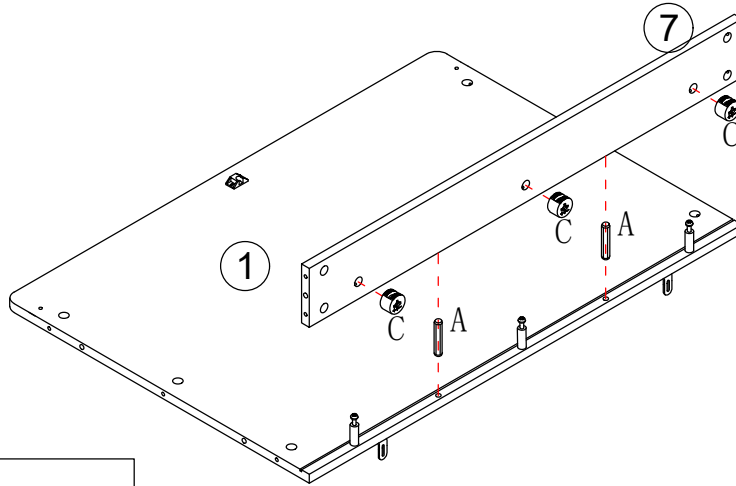
| | | | | | | | | | |
|----------|---|----------|---|-----------|---|----------|---|-----------|---|
| B |  | E |  | H2 |  | U |  | Z2 |  |
| | M6*35mm Bolt 24pcs | | M3*12mm Screw 6pcs | | Ball Bearing Slide 2pcs | | M4*14mm Screw 4pcs | | Rod Supports the Base 2pcs |

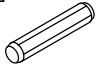

2



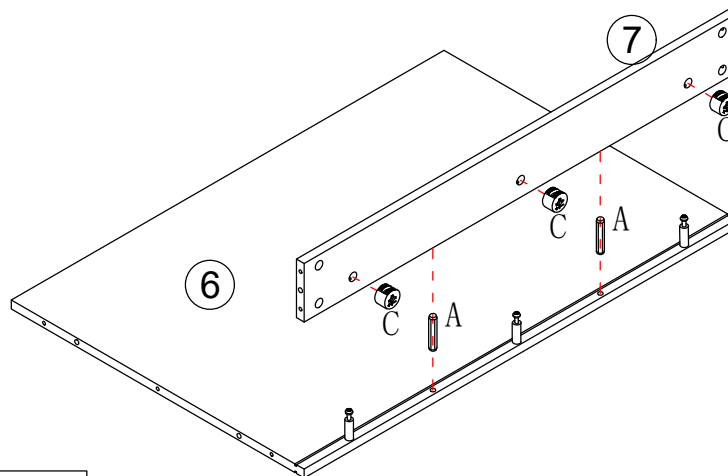
| | | | | | | | | | |
|----------|---|----------|---|----------|---|----------|---|----------|--|
| B |  | E |  | M |  | P |  | T |  |
| | M6*35mm Bolt | | M3*12mm Screw | | Anti-Tip Iron Sheet | | M4*12mm Screw | | Door Stop |
| | 6pcs | | 2pcs | | 2pcs | | 4pcs | | 1pc |

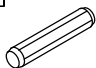

3

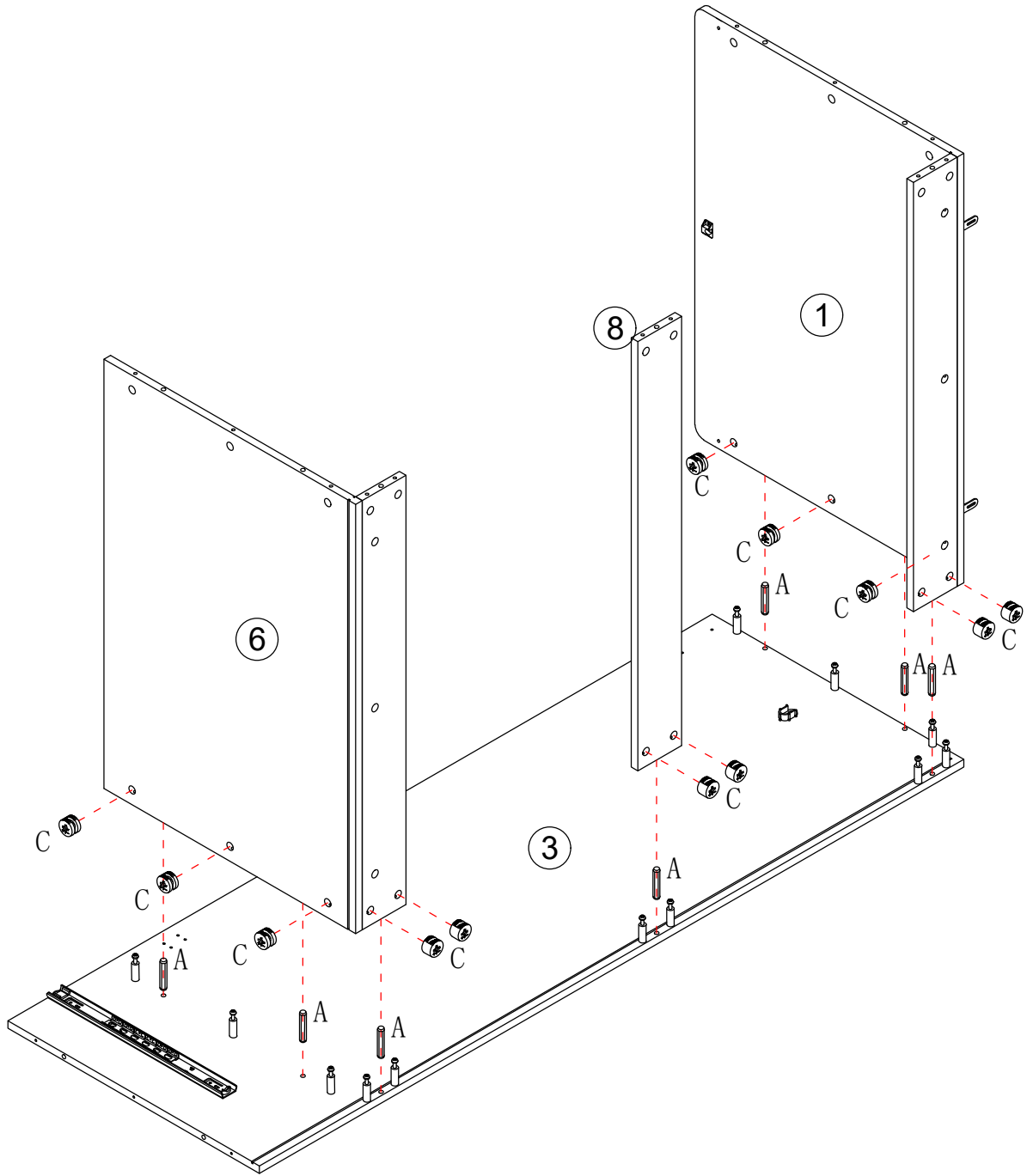


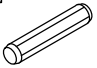

| | |
|--|--|
| A  | C  |
| Ø8x30mm Dowel 2pcs | Ø15x9.5mm Cam Lock 3pcs |

4

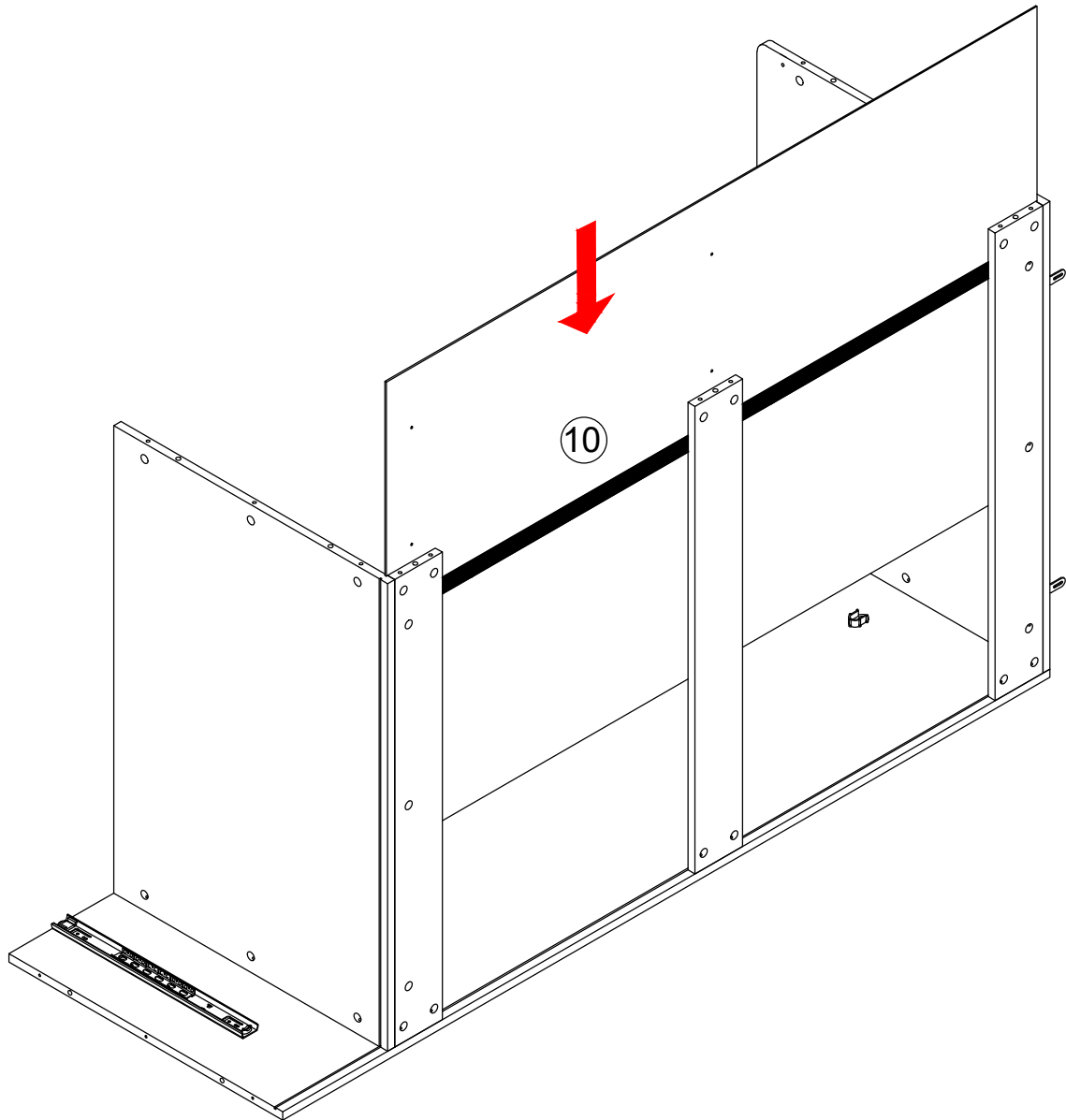


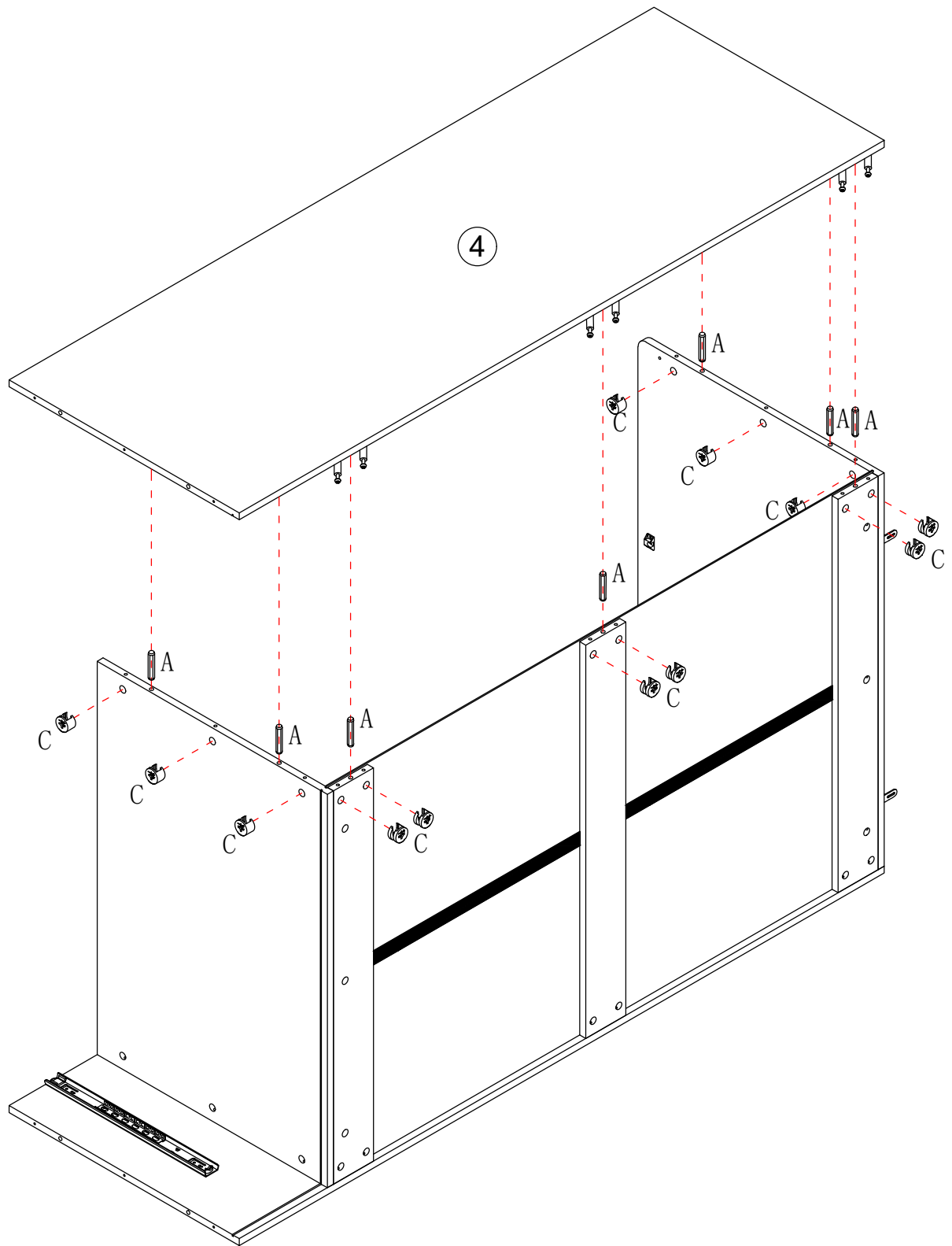
| | |
|--|--|
| A  | C  |
| Ø8x30mm Dowel 2pcs | Ø15x9.5mm Cam Lock 3pcs |

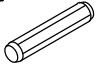



| | |
|---|---|
| <p>A</p>  | <p>C</p>  |
| <p>Ø8x30mm Dowel 7pcs</p> | <p>Ø15x9.5mm Cam Lock 12pcs</p> |

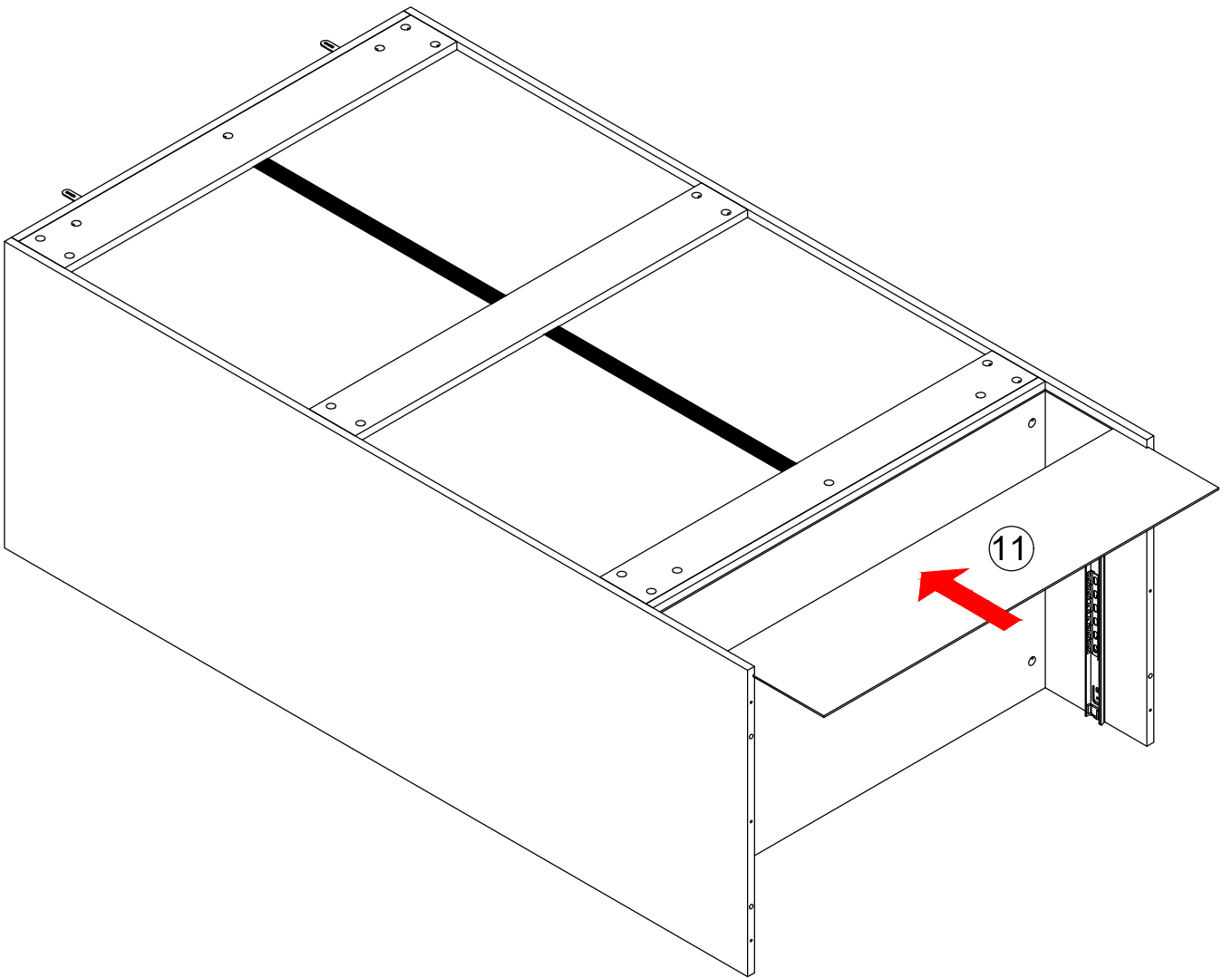
6



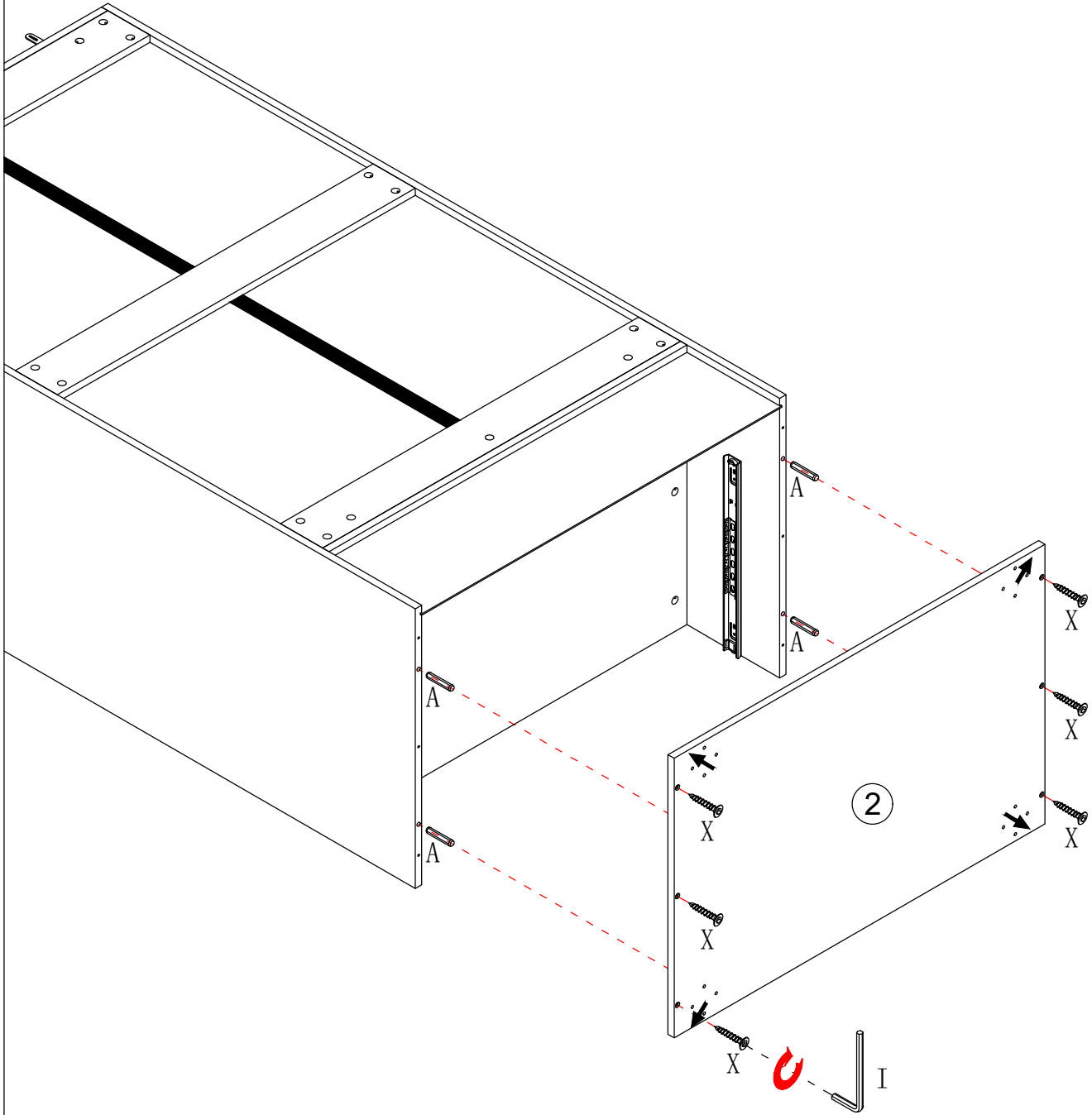


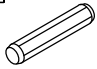
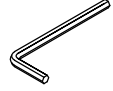
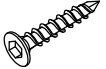
| A | C |
|---|---|
|  |  |
| Ø8x30mm Dowel 7pcs | Ø15x9.5mm Cam Lock 12pcs |

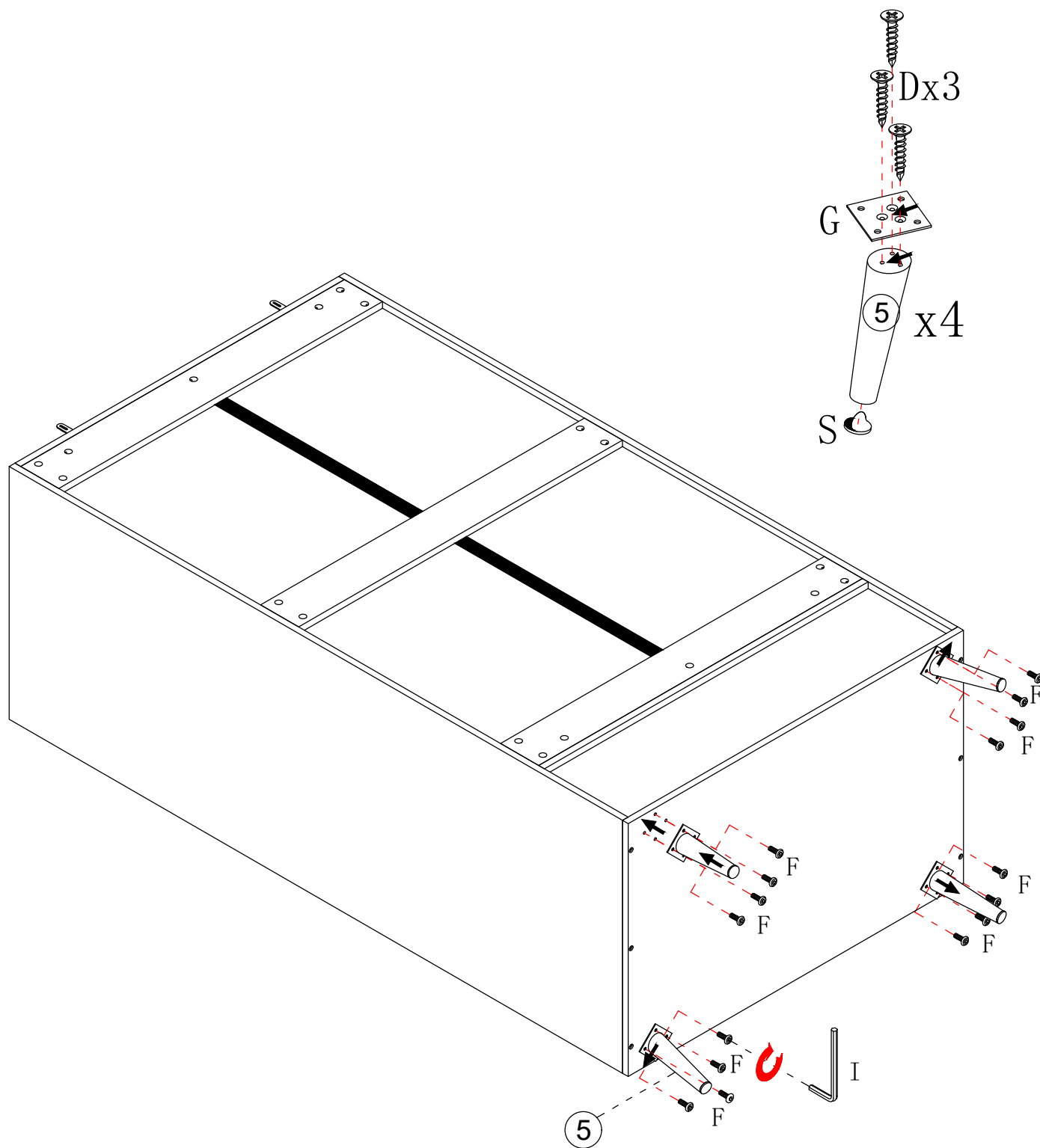
8

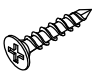

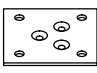
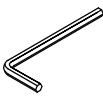



9

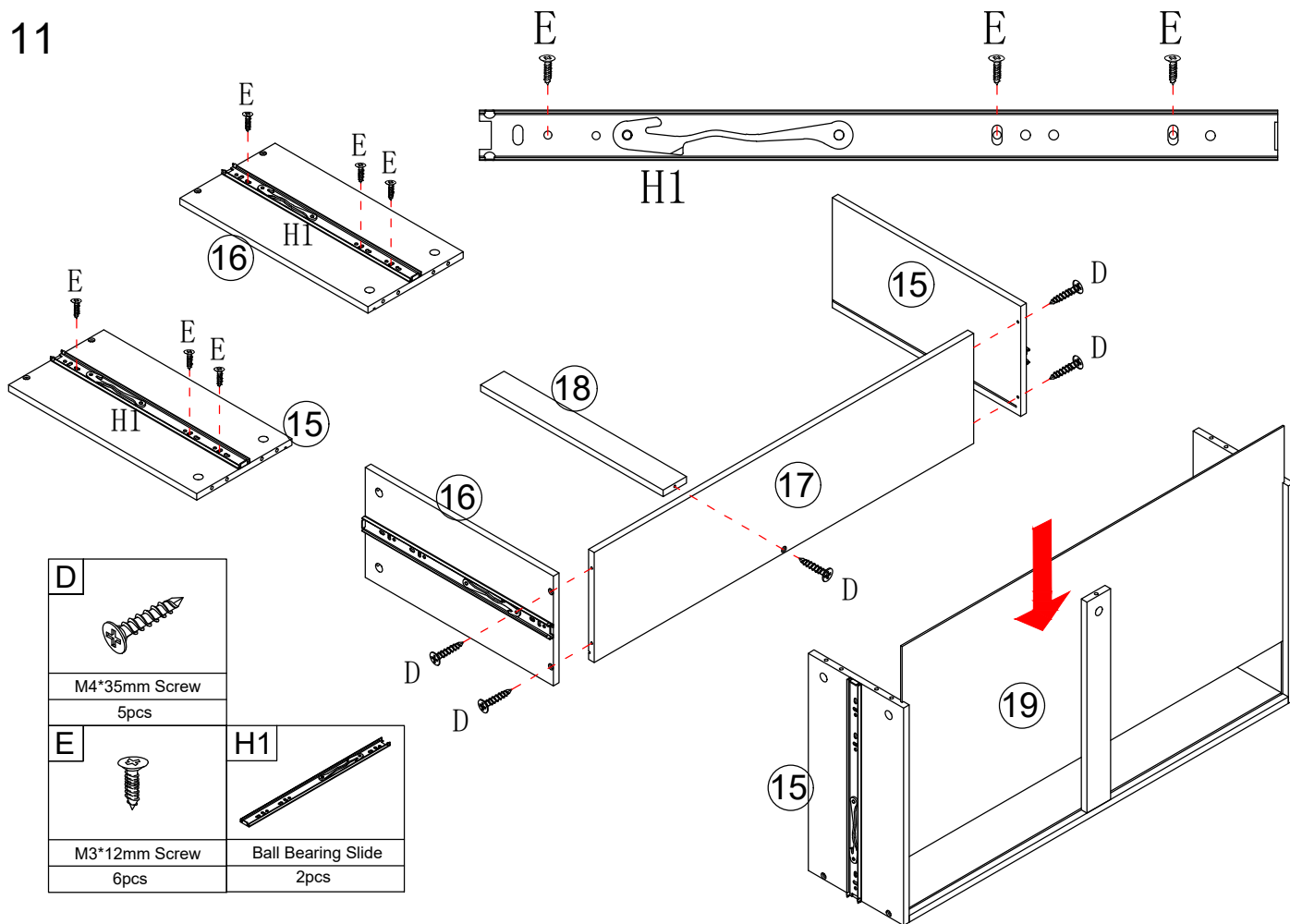


| | | | | | |
|----------|---|----------|---|----------|---|
| A |  | I |  | X |  |
| | Ø8x30mm Dowel | | Ø4mm Allen Key | | M5*40mm Screw |
| | 4pcs | | 1pc | | 6pcs |

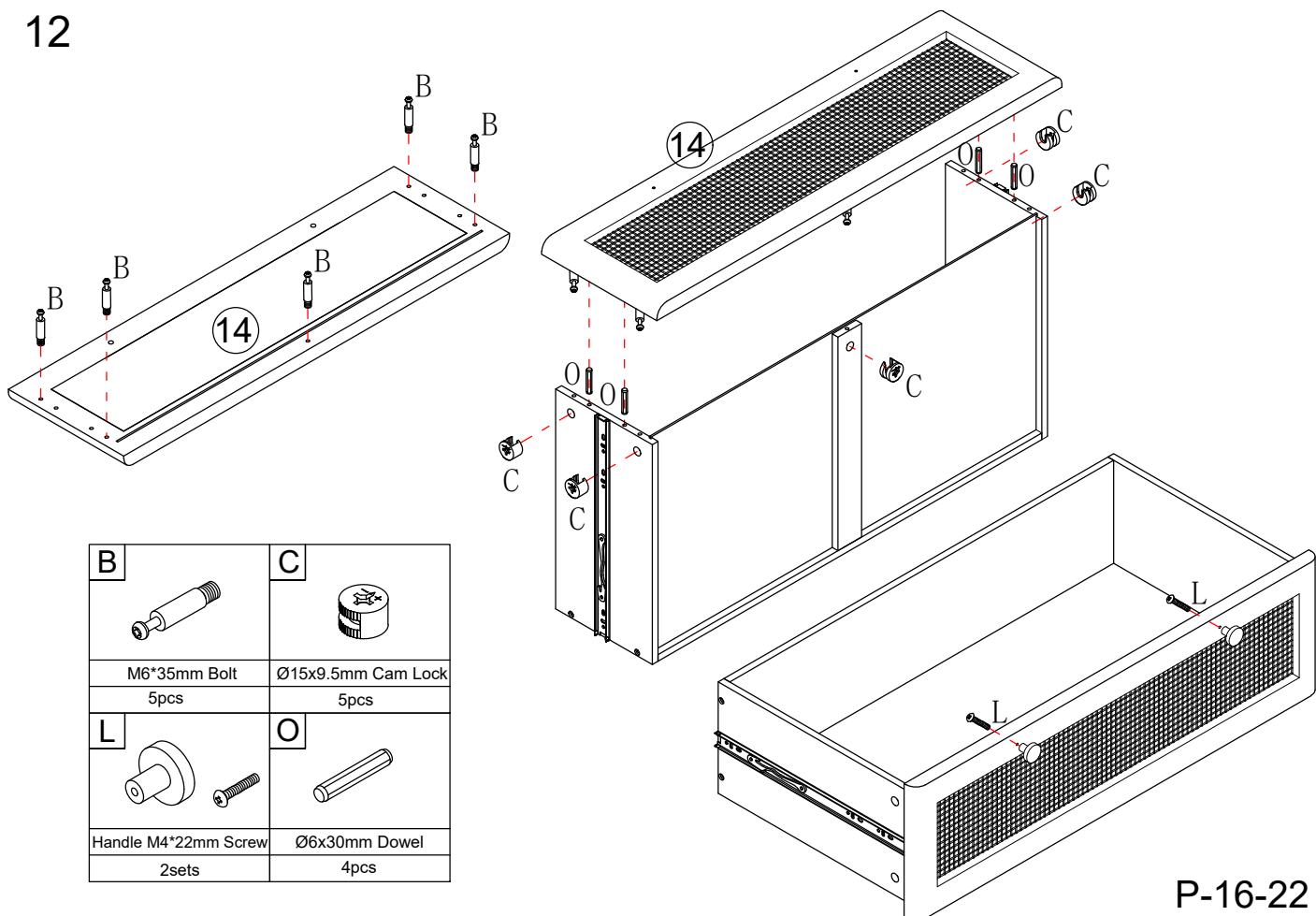


| | | | | |
|---|---|---|---|--|
| D | F | G | I | S |
|  |  |  |  |  |
| M4*35mm Screw 12pcs | M6*12mm Screw 16pcs | Foot Iron 4pcs | Ø4mm Allen Key 1pc | Foot Gasket 4pcs |

11

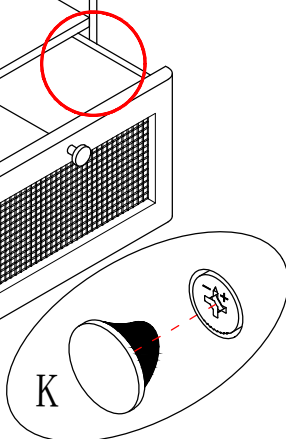
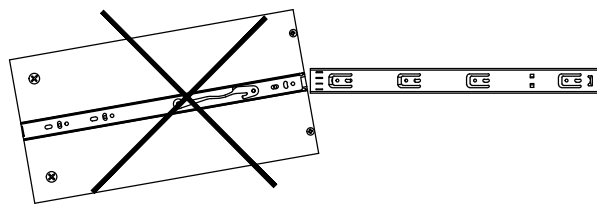
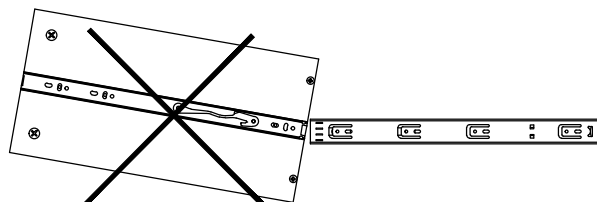
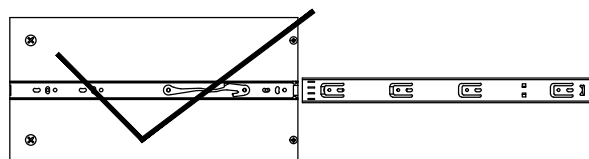
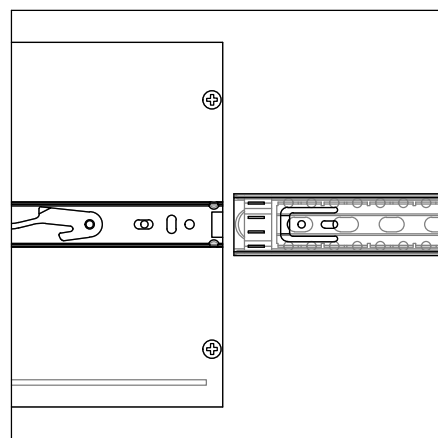
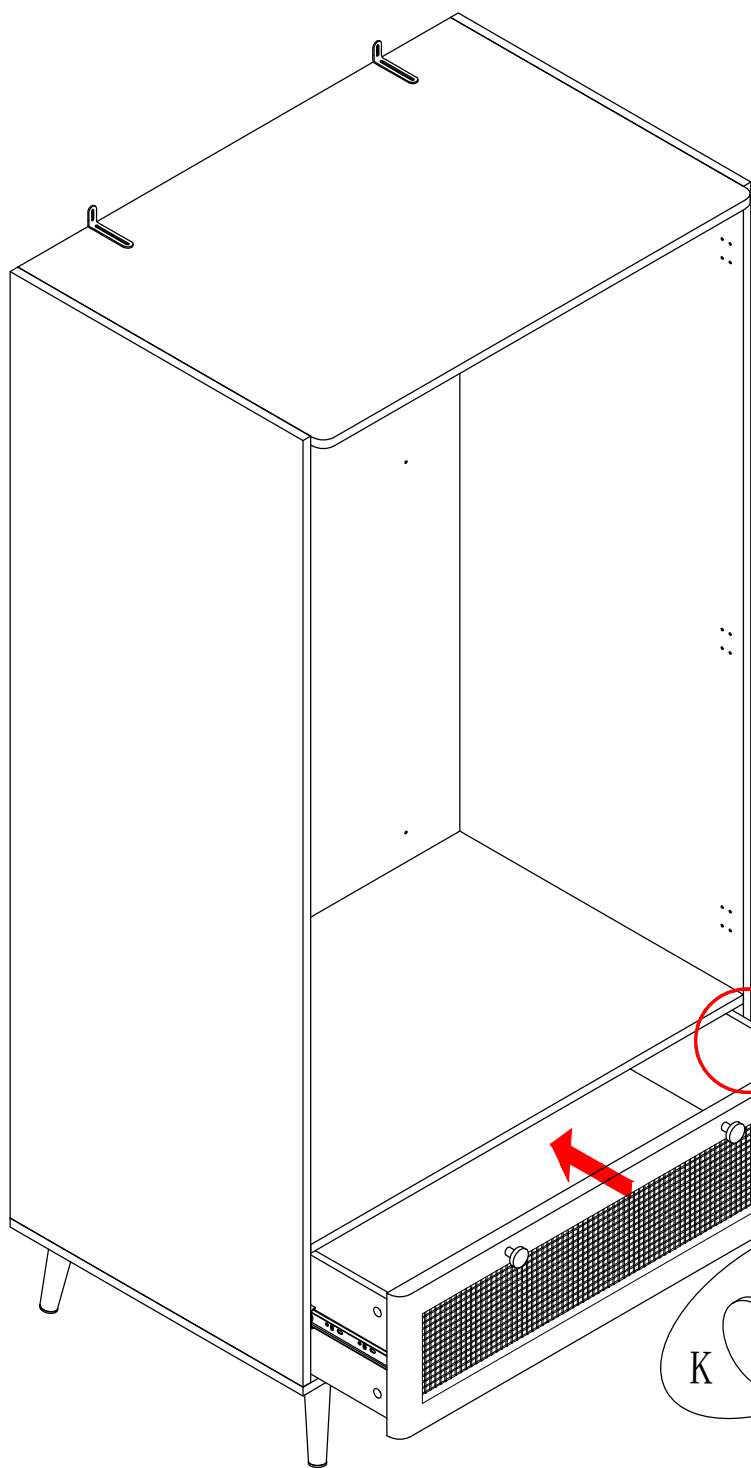
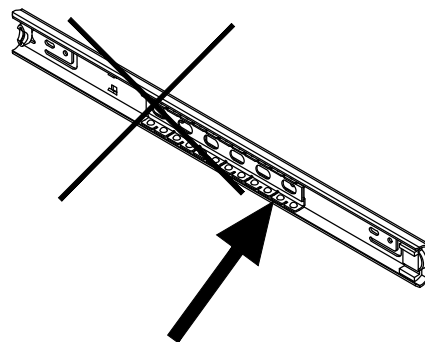
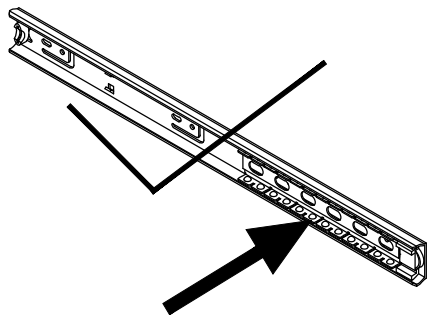


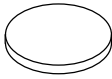
12



P-16-22

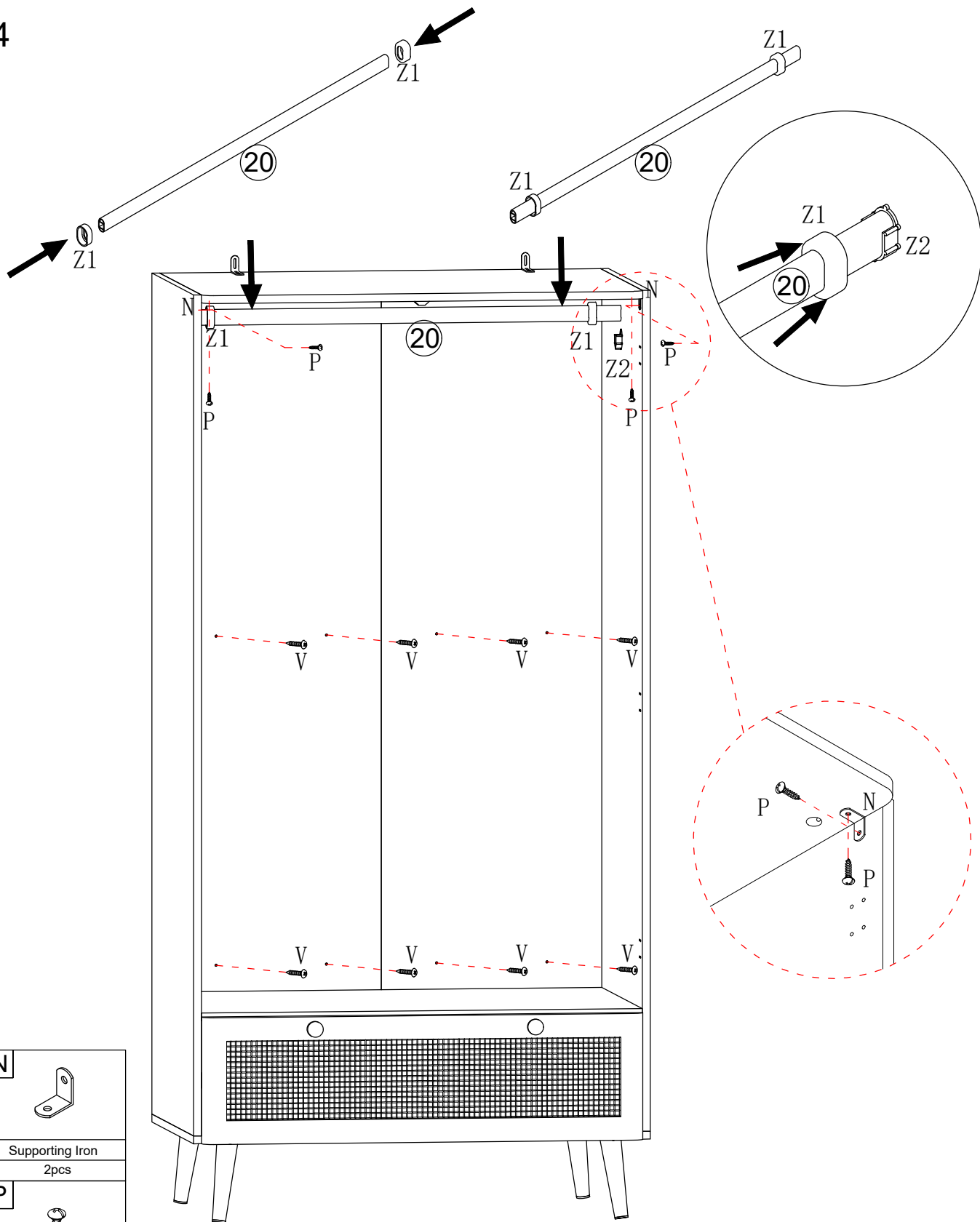
13



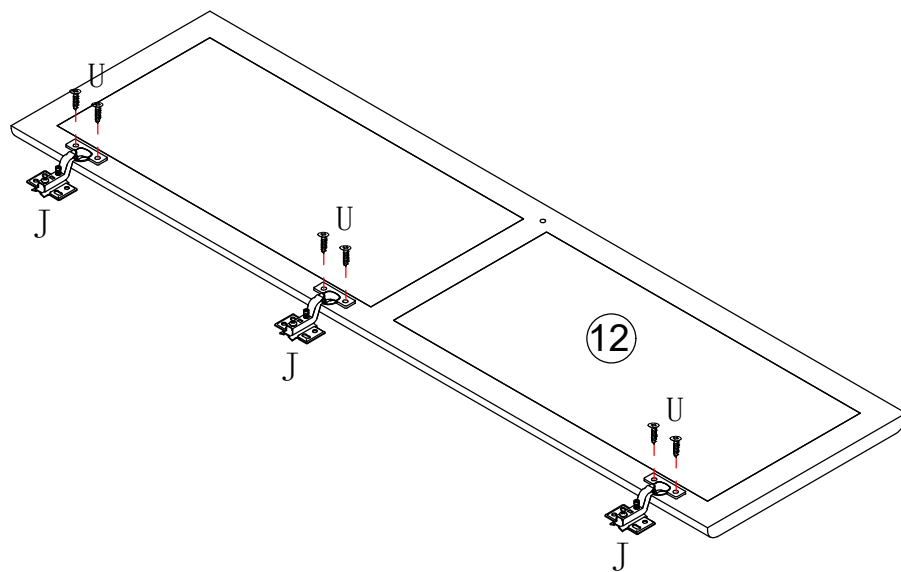
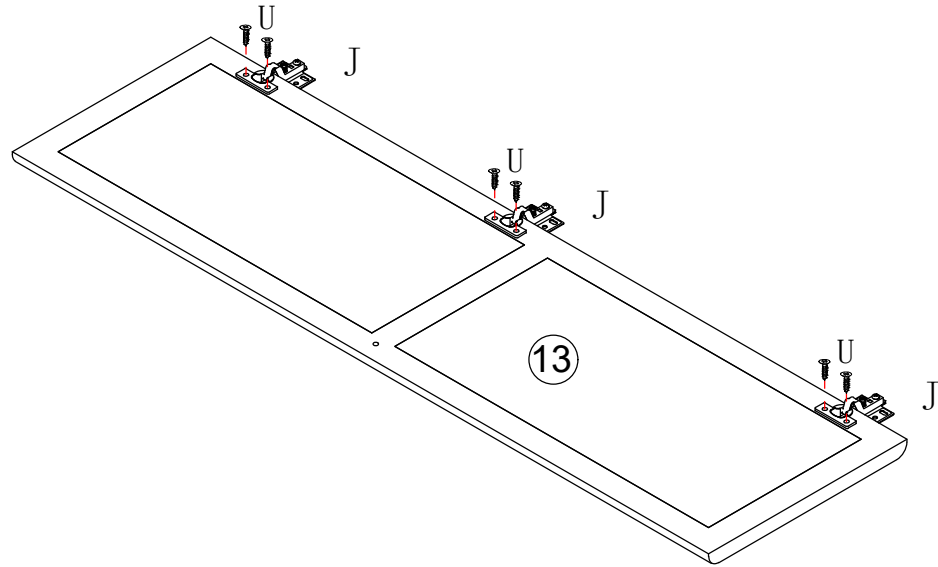
| |
|---|
| K |
|  |
| Hole Gasket |
| 17pcs |

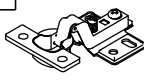
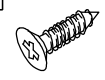
P-17-22

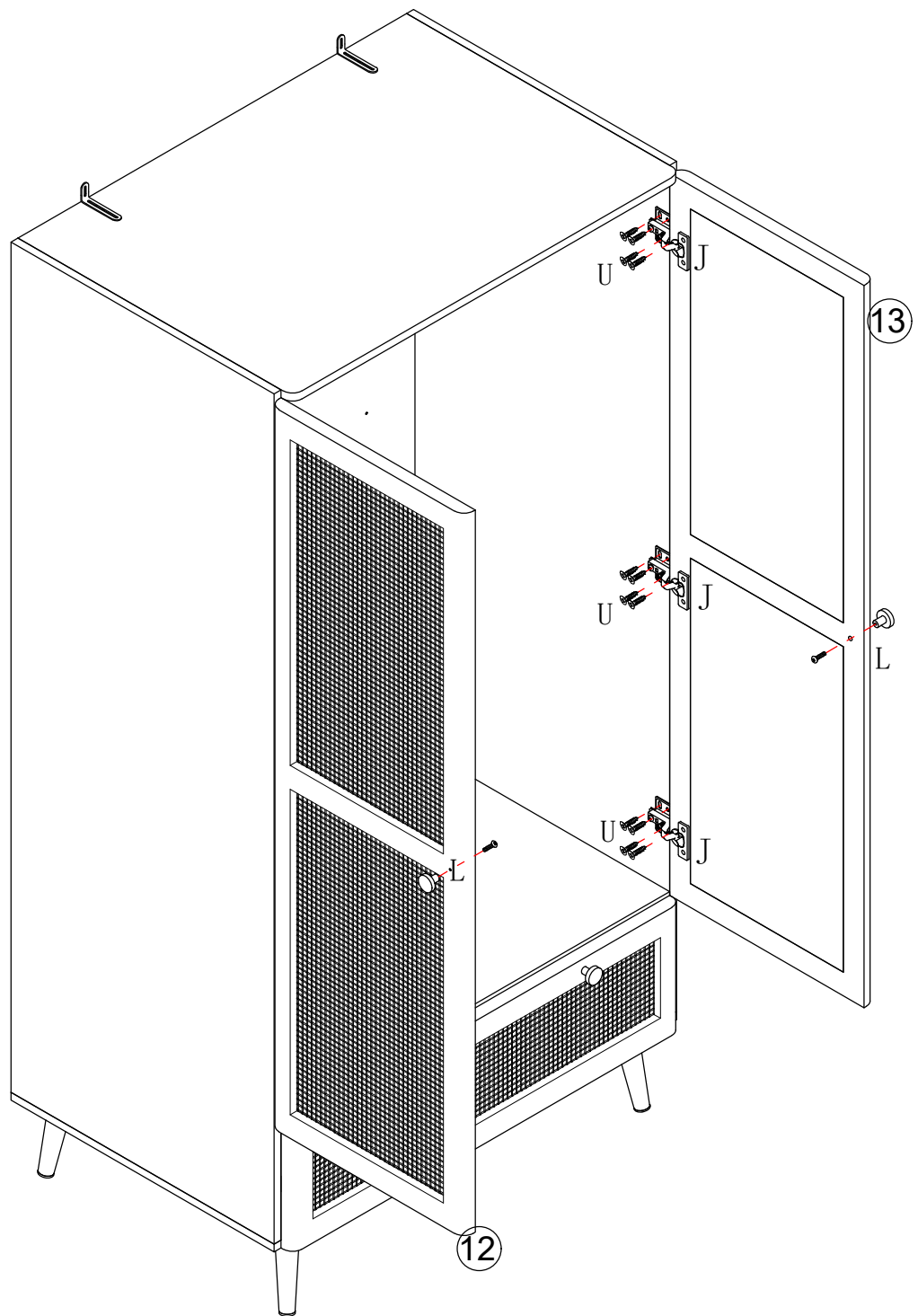
14


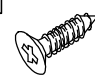


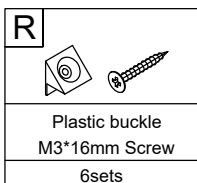
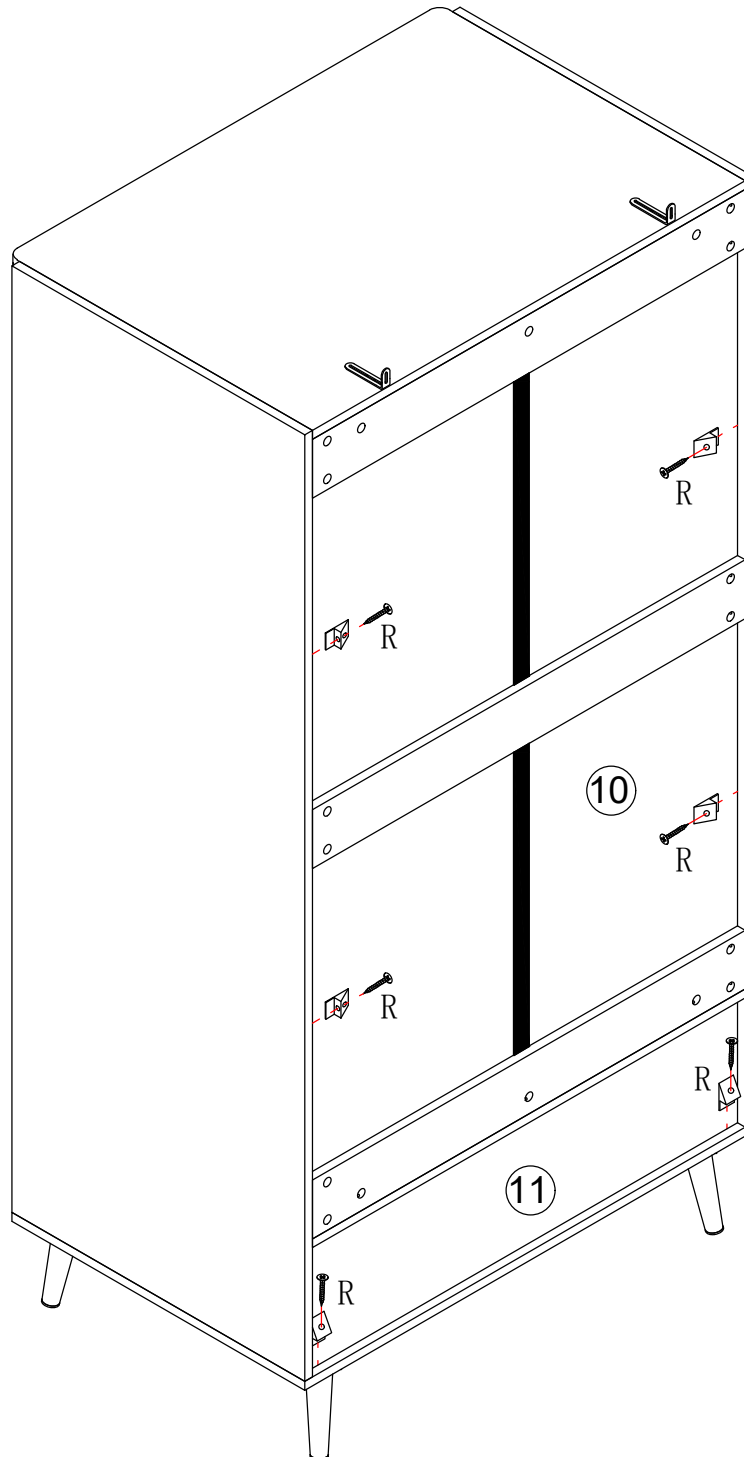
| | | |
|-----------------|--|------|
| N | | |
| Supporting Iron | | |
| 2pcs | | |
| P | | |
| M4*12mm Screw | | |
| 4pcs | | |
| V | | Z1 |
| M3*10mm Screw | | |
| 8pcs | | 2pcs |



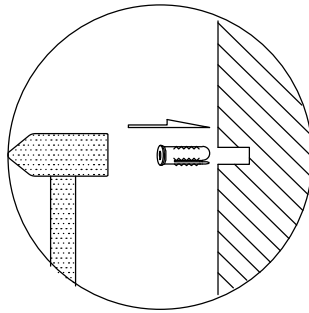
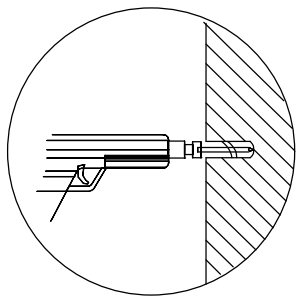
| | |
|---|---|
| <p>J</p>  | <p>U</p>  |
| <p>Insert Hinge 6pcs</p> | <p>M4*14mm Screw 12pcs</p> |



| | |
|---|---|
| <p>L</p>  | <p>U</p>  |
| <p>Handle M4*22mm Screw 2sets</p> | <p>M4*14mm Screw 24pcs</p> |



WARNING: Please make the choice of screws according to your own wall for wall locking. In order to prevent overturning this product must be used with the wall attachment device provided.



SCIANA

