

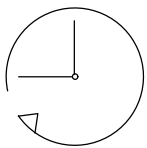
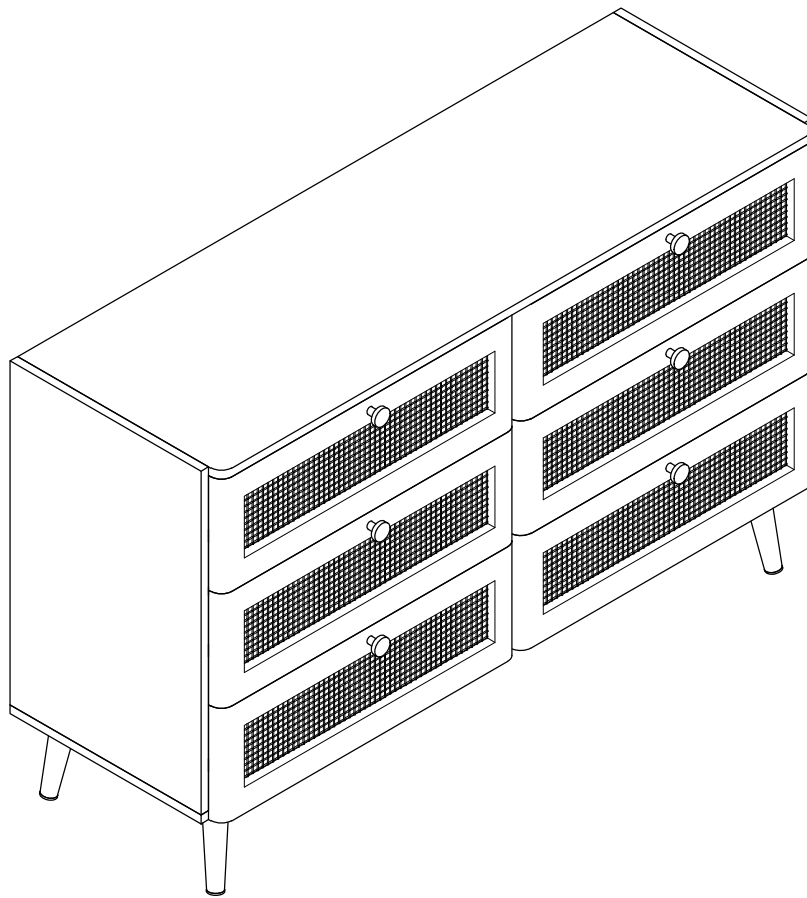
DUSK.COM

LIVING | BEDROOM | DINING

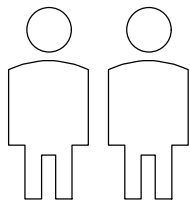
Range Name : Aurelia

Box dimensions : 133x47x15.5cm

Aurelia Curved Rattan 6 Drawer Large Chest



Up to 45 minutes
assembly time



Two persons
assembly

This product is intended for domestic use only, not for commercial purposes.

P-1-13

IMPORTANT

ASSEMBLY TIP

Before you begin, it's best to identify all of the parts and fittings to build your Aurelia Curved Rattan 6 Drawer Large Chest frame. We advise laying these out on the floor to check you have everything, and to familiarise yourself with all of the parts and fittings before building.

TOP TIP

We recommend that you assemble the Aurelia Curved Rattan 6 Drawer Large Chest in the room you'd like it to be located. This will help prevent any risk of damage to the frame whilst moving it.

SAFETY AND CARE

It's important to ensure children and animals are kept away from the assembly area, as there are small components used in this product which could present a choking hazard. All plastic and wrapping materials should also be kept away from children and animals to prevent any risk of suffocation.

HELP AND SUPPORT

Please contact our customer service team on 0113 519 0311 if you have any questions or issues with your purchase.

RECYCLING

Please ensure that packaging is disposed of in a safe and environmentally friendly way, and recycle where possible. Please keep your assembly instructions safe to refer back to in the future.

CARE AND MAINTENANCE:

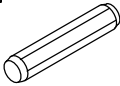
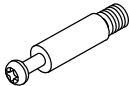
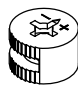
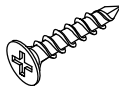

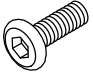

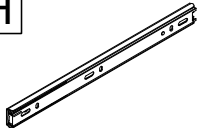
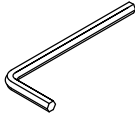

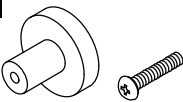

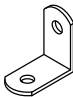


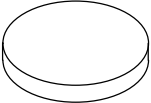
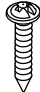
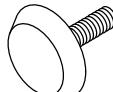
1. Only clean using a damp cloth, do not use bleach or abrasive cleaners as they may damage the finish over time.
2. Do not use a very wet cloth or allow any liquid to contact with the veneer for a long period of time. Wipe any spillage immediately. Absorption can cause wood to warp or finishes to de-laminate.
3. Do not scrub or rub the surface when cleaning.
4. Do not drag the Aurelia Curved Rattan 6 Drawer Large Chest when moving, lift it off the floor instead.
5. Use a placemat or a coaster when putting hot items (e.g. hot drinks and dishes) on the wood surface.
6. It is not recommended to place the item next to sources of heat such as radiators, fires or directly exposed to sunlight. This may cause the wood to crack, split or fade due to the heat and humidity.
7. Wood will mellow and change colour over time, we recommend that ornaments and items placed on the surface to be moved regularly to prevent uneven mellowing.
8. Regularly check all fixings to ensure none have come loose. Re-tighten if necessary.
9. Avoid sharp items such as a screwdriver or any pointy tools.
10. Dispose of all packaging carefully and responsibly - recycle where possible.

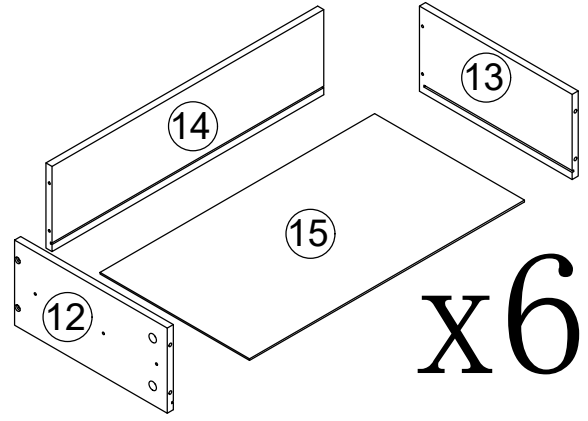
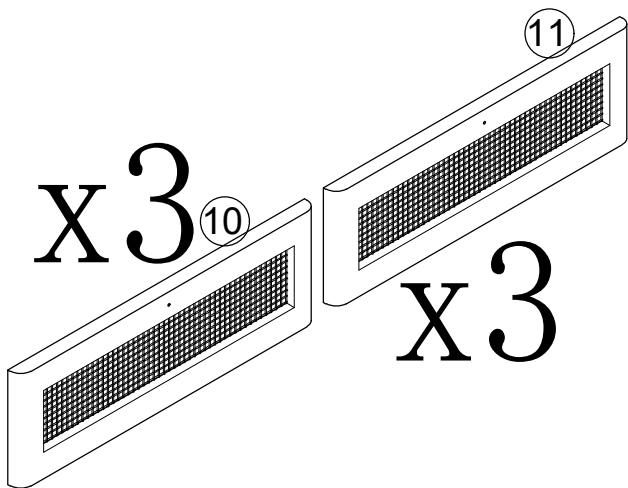
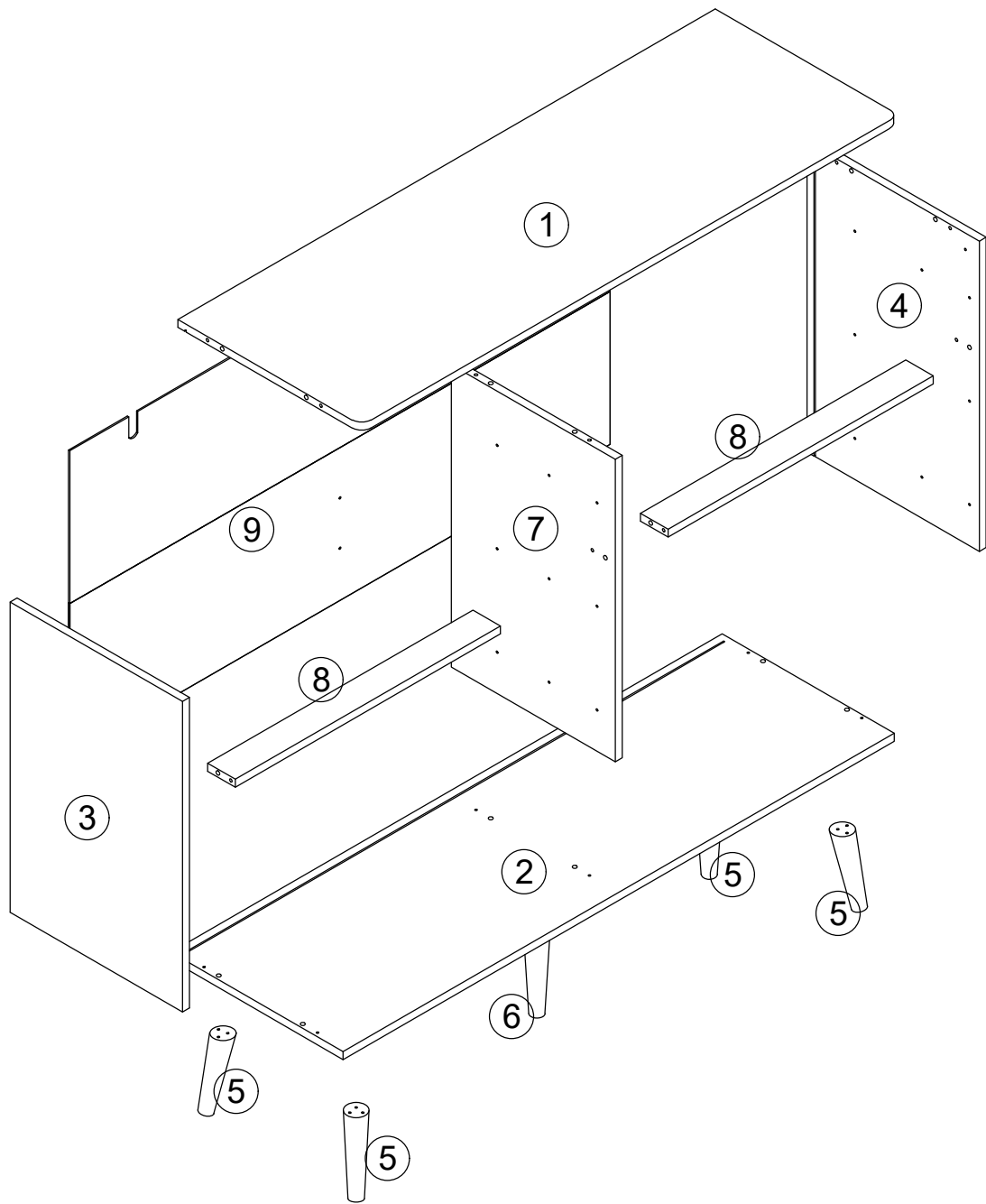
Before you begin building your Willow Bedside, please take a moment to read through the instructions and make sure that you have all the relevant parts listed on the parts check list.

PART CHECK LIST					
NO.	Part List	QTY	NO.	Part List	QTY
1	Top	1pc	11	Drawer Front	3pcs
2	Bottom Panel	1pc	12	Drawer Left Side	6pcs
3	Left Side Panel	1pc	13	Drawer Right Side	6pcs
4	Right Side Panel	1pc	14	Drawer Back Side	6pcs
5	Leg	4pcs	15	Drawer Bottom	6pcs
6	Mid Leg	1pc			
7	Mid Side Panel	1pc			
8	Support Strip	2pcs			
9	Back Panel	1pc			
10	Drawer Front	3pcs			

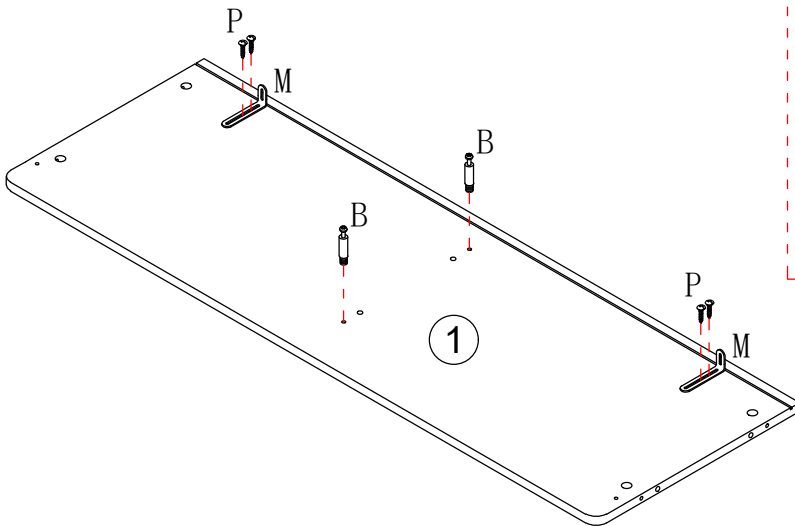
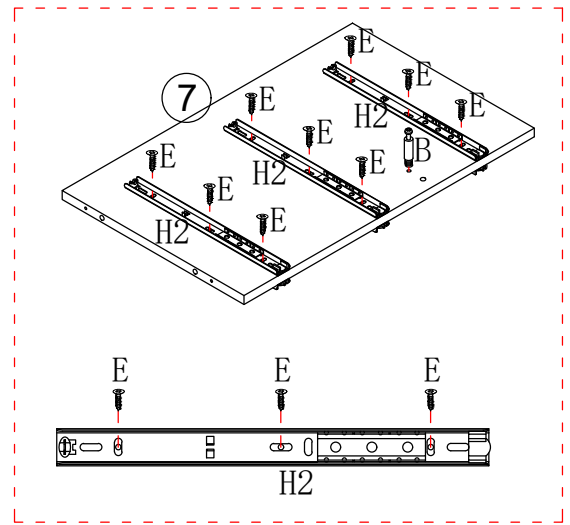
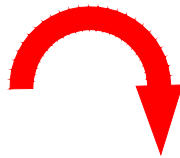
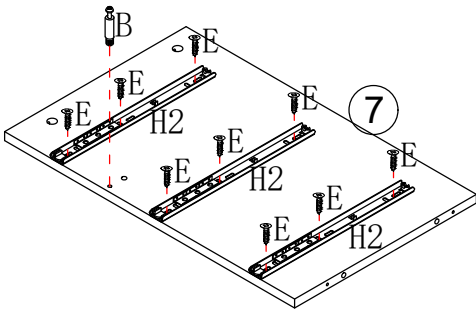
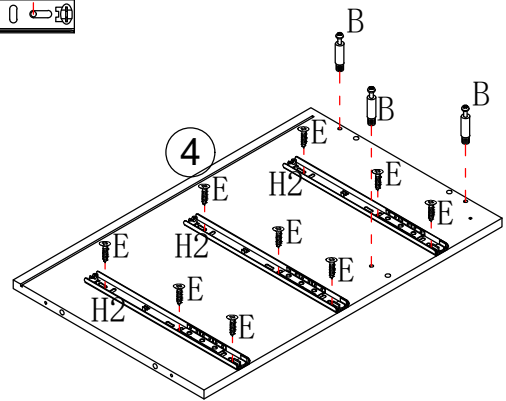
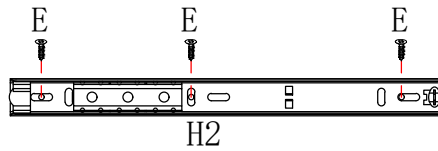
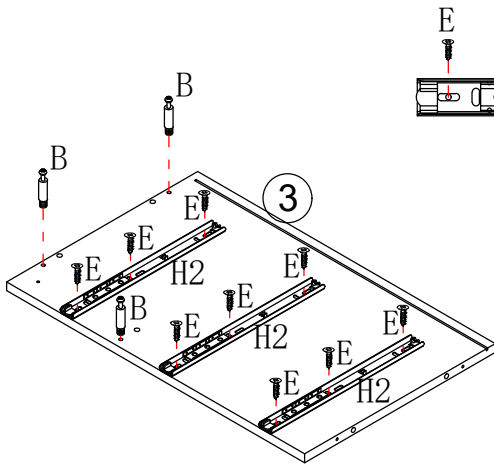
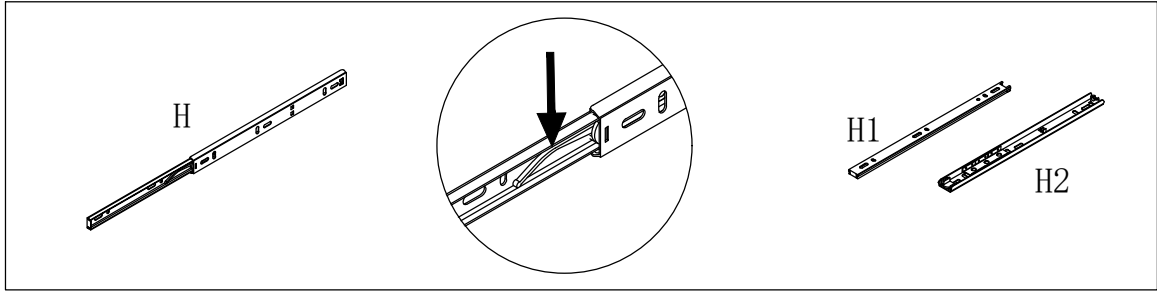
Fittings

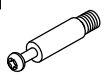

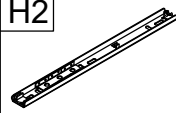


Please check you have all the fittings listed below with your product.

A  Ø8x30mm Dowel 16pcs+2pcs extra	B  M6*35mm Bolt 34pcs+4pcs extra	C  Ø15x9.5mm Cam Lock 34pcs+4pcs extra	D  M4*35mm Screw 45pcs+5pcs extra	E  M3*12mm Screw 72pcs+9pcs extra
F  M6*12mm Screw 20pcs+2pcs extra	G  Foot Iron 5pcs	H  300mm Sliding Rail 12pcs	I  Ø4mm Allen Key 1pc	K  Hole Gasket 24pcs+3pcs extra
L  Handle M4*22mm Screw 6sets	M  Anti-Tip Iron Sheet 2pcs	N  Supporting Iron 2pcs	P  M4*12mm Screw 8pcs+1pc extra	R  Plastic buckle M3*16mm Screw 4pcs
S  Foot Gasket 4pcs	V  M2.5*10mm Screw 4pcs	W  Adjustable Foot Nails 1pc		

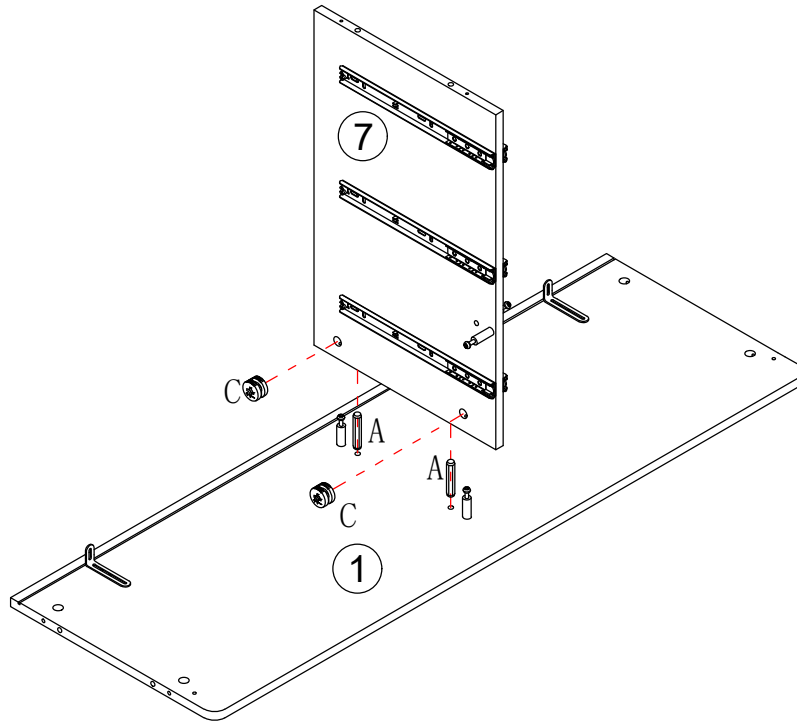


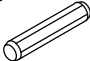

1



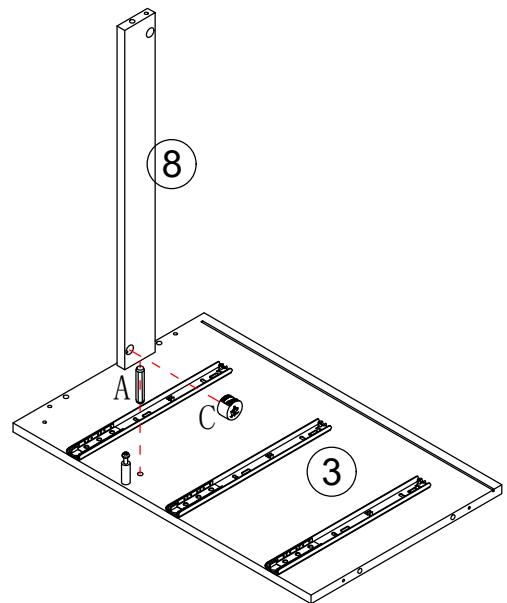
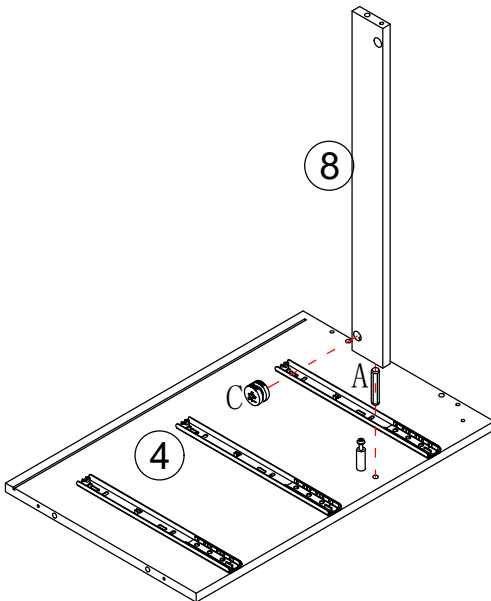
B	E	H2	M	P
				
M6*35mm Bolt 10pcs	M3*12mm Screw 36pcs	300mm Sliding Rail 12pcs	Anti-Tip Iron Sheet 2pcs	M4*12mm Screw 4pcs

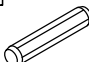

2



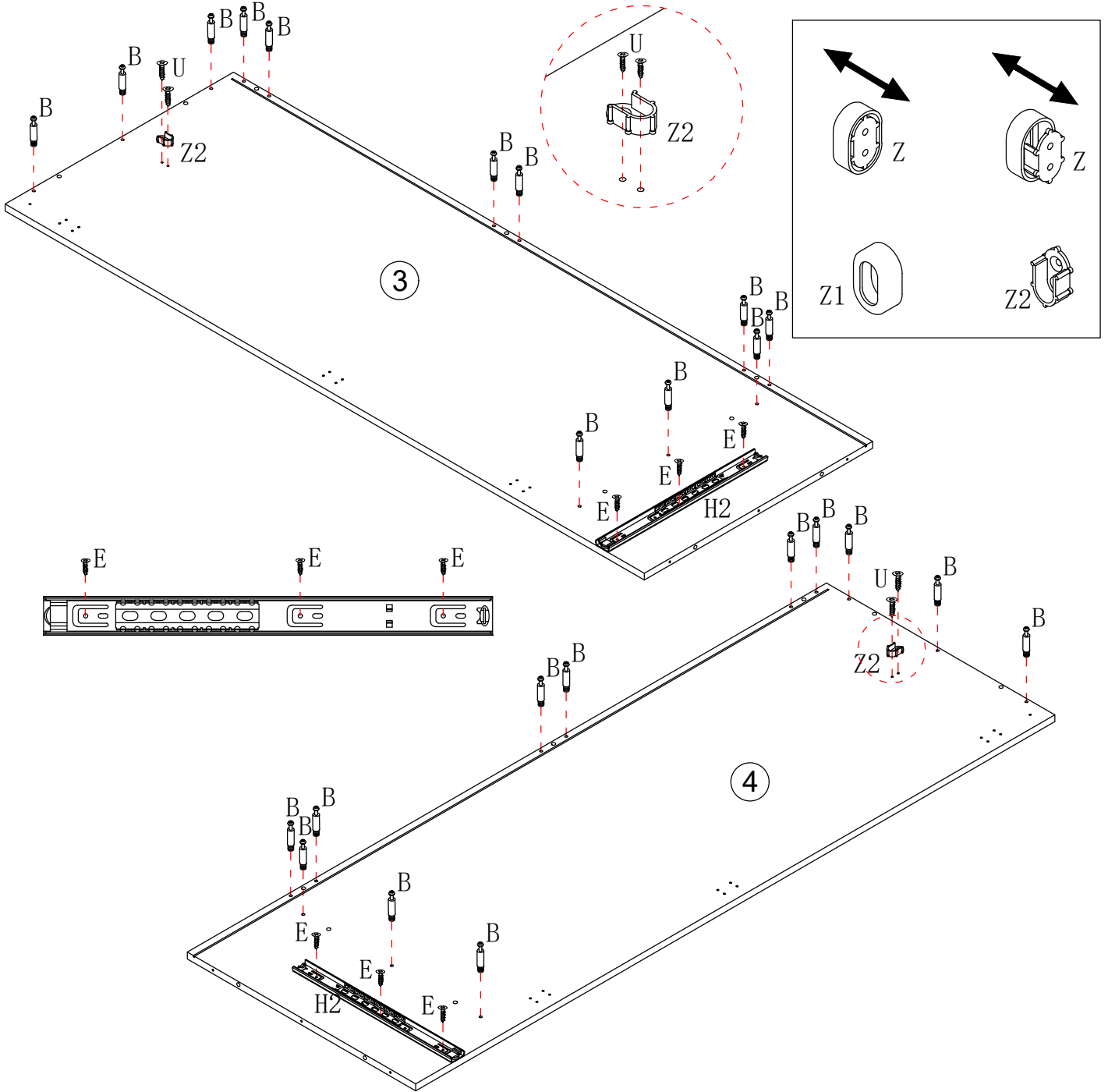
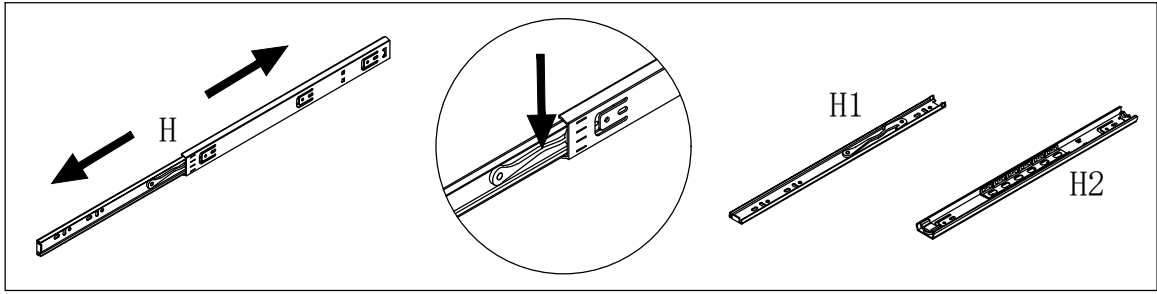
A	C
	
Ø8x30mm Dowel	Ø15x9.5mm Cam Lock
2pcs	2pcs

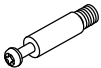

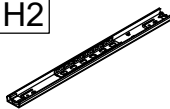
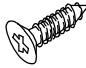

3



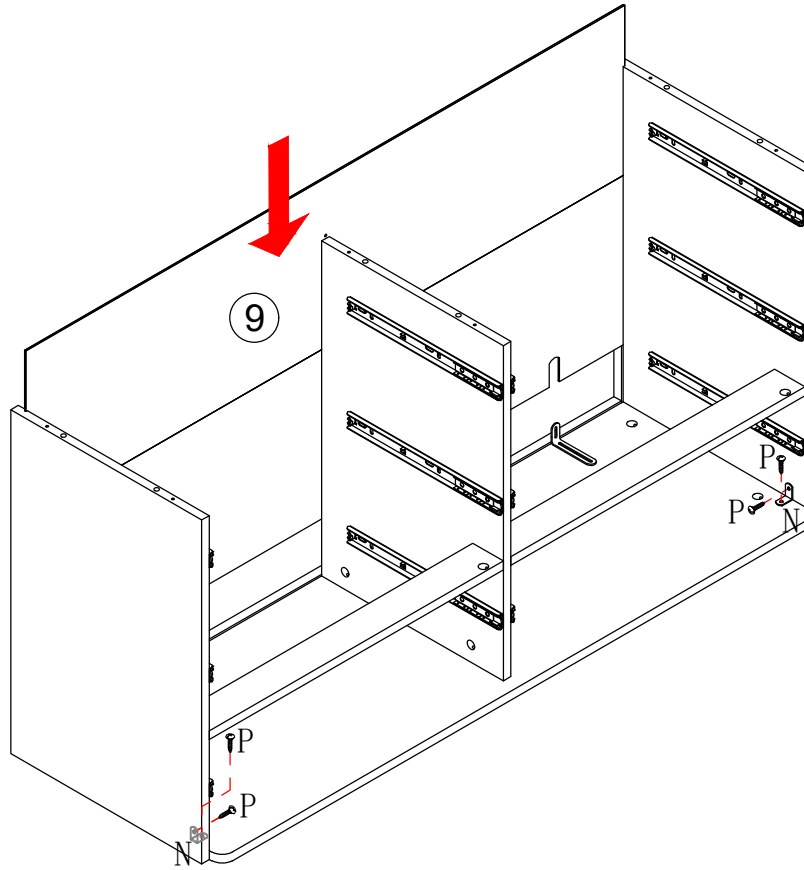
A	C
	
Ø8x30mm Dowel	Ø15x9.5mm Cam Lock
2pcs	2pcs



1



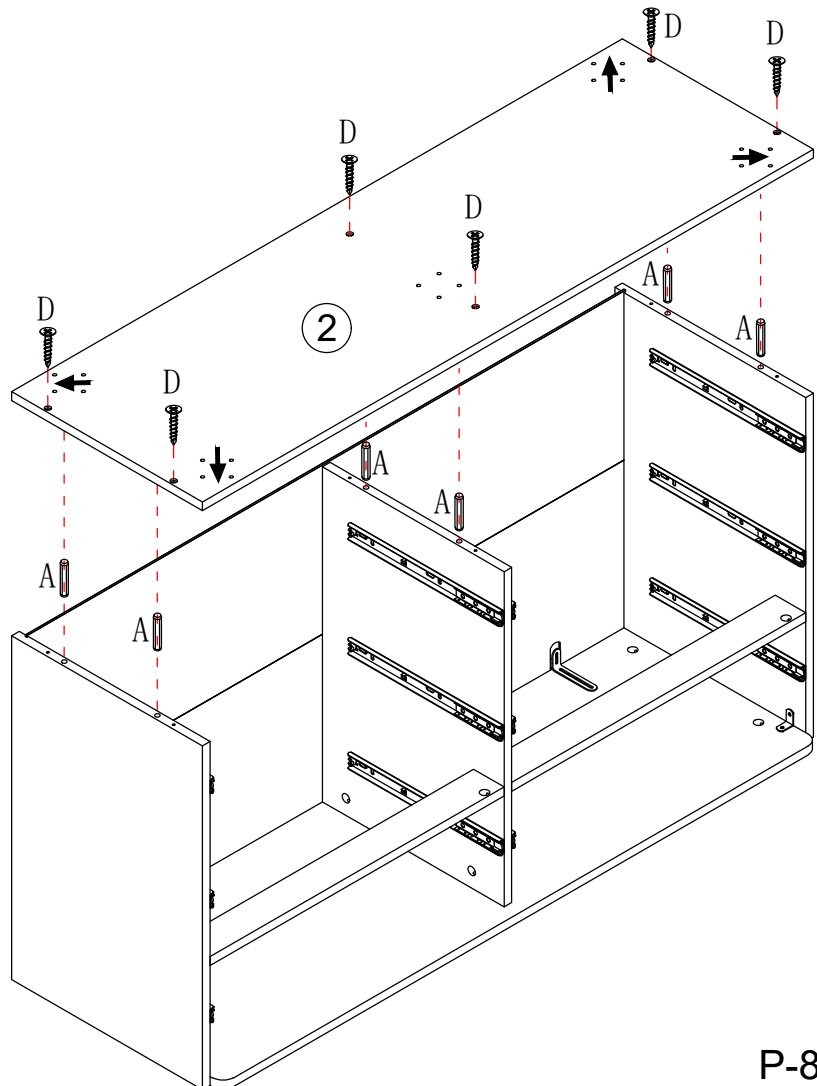
B		E		H2		U		Z2	
	M6*35mm Bolt 24pcs		M3*12mm Screw 6pcs		Ball Bearing Slide 2pcs		M4*14mm Screw 4pcs		Rod Supports the Base 2pcs

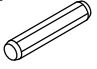
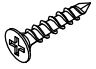
6



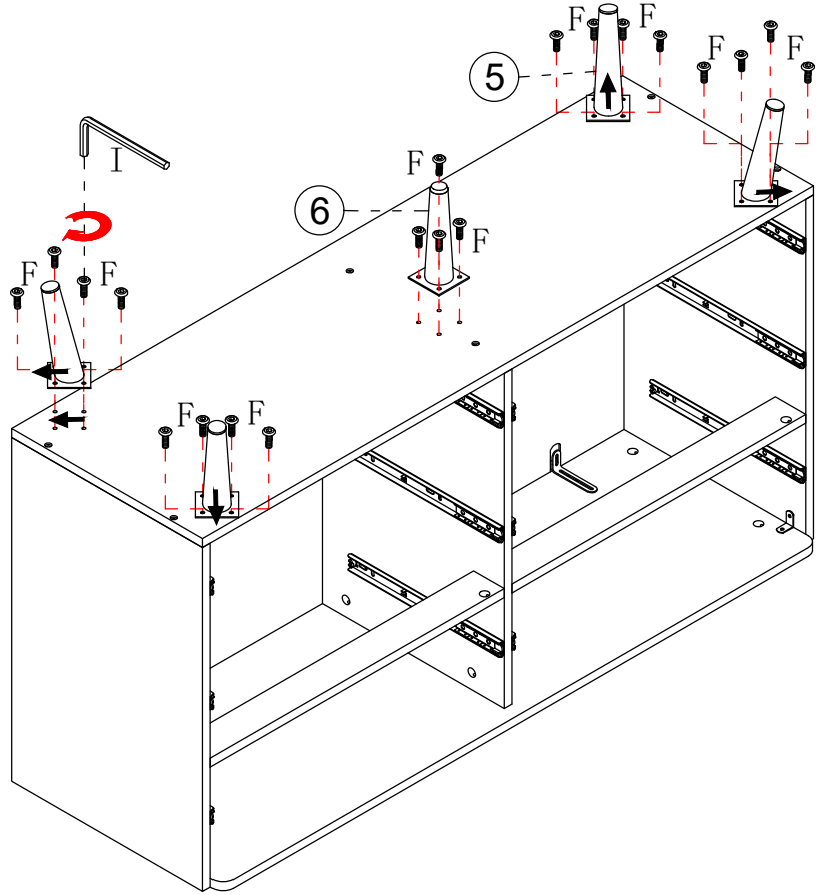
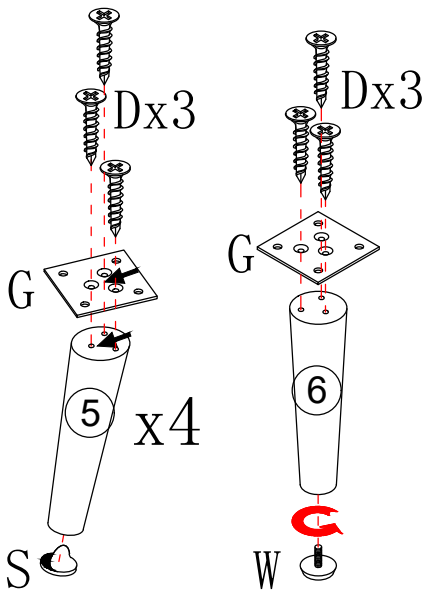
N	
Supporting Iron 2pcs	
P	
M4*12mm Screw 4pcs	

7



A		D	
Ø8x30mm Dowel 6pcs		M4*35mm Screw 6pcs	

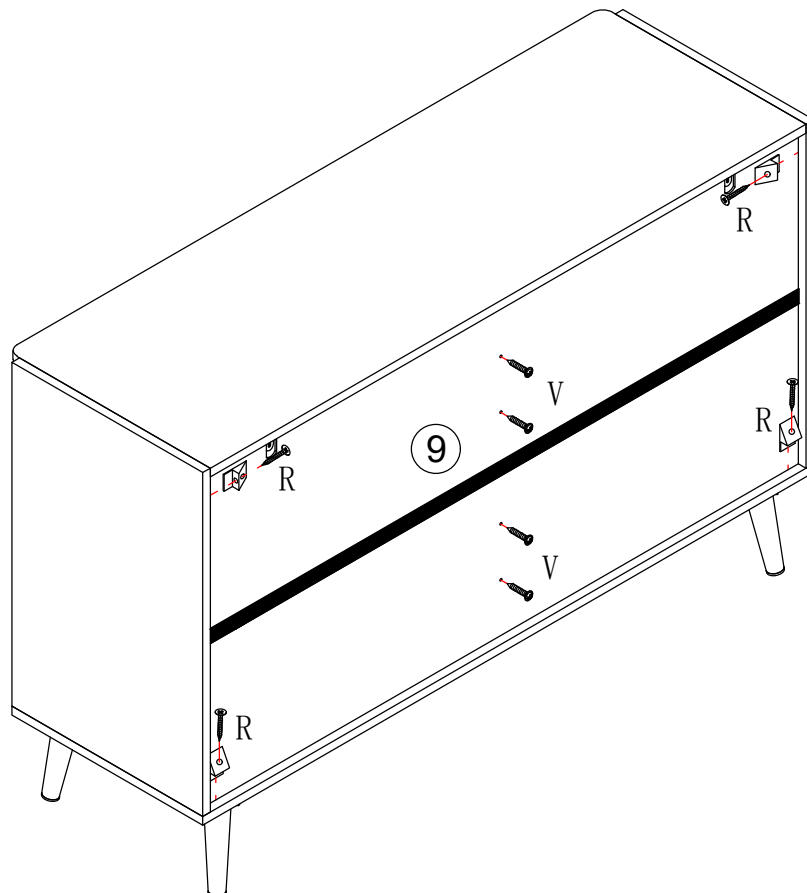
8



D	F
M4*35mm Screw 15pcs	M6*12mm Screw 20pcs

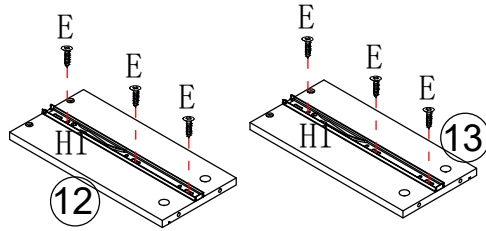
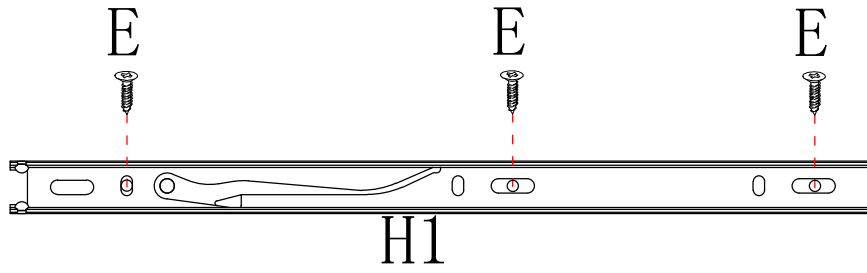
G	I	S	W
Foot Iron 5pcs	Ø4mm Allen Key 1pc	Foot Gasket 4pcs	Adjustable Foot Nails 1pc

9

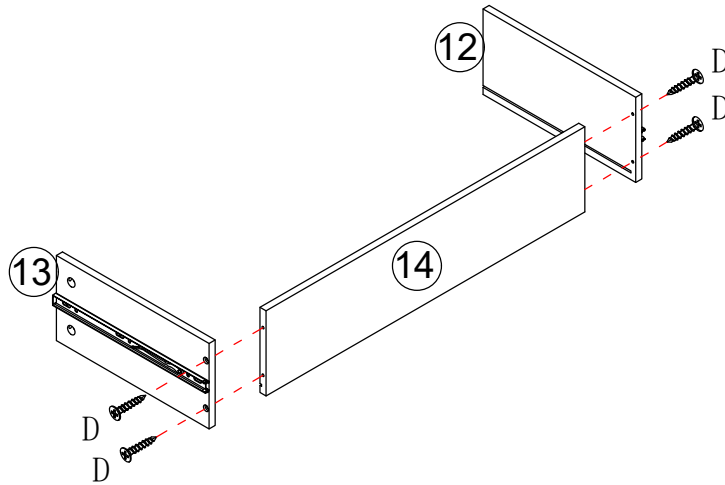


R	
Plastic buckle M3*16mm Screw 4pcs	
V	
M2.5*10mm Screw 4pcs	

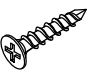

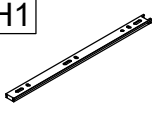
10

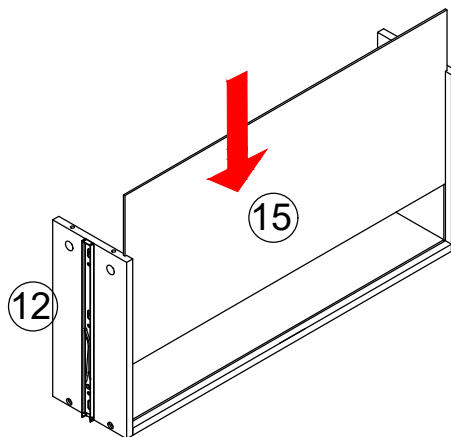


x6



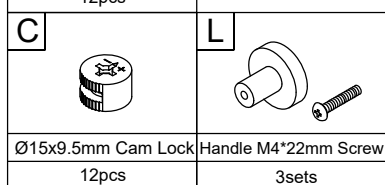
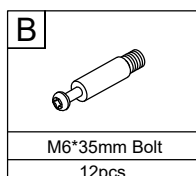
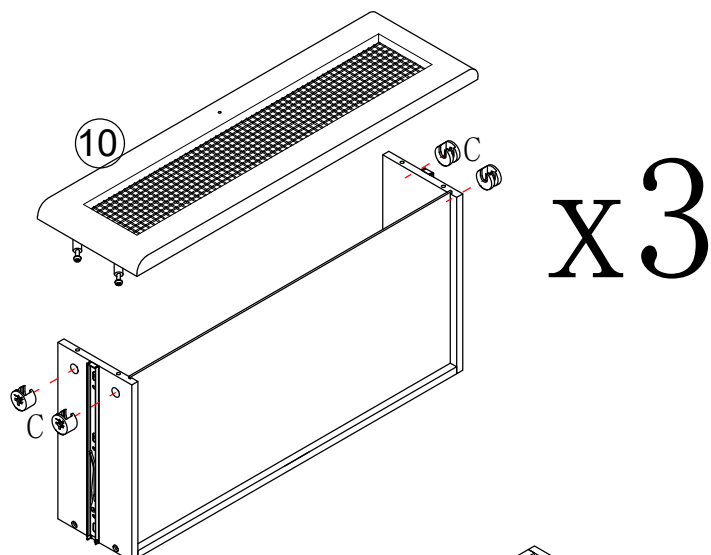
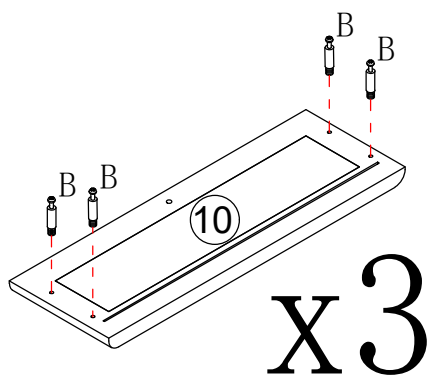
x6

D	
M4*35mm Screw 24pcs	
E	
M3*12mm Screw 36pcs	
H1	
300mm Sliding Rail 12pcs	

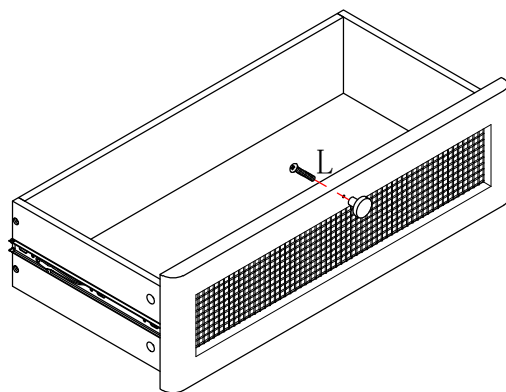


x6

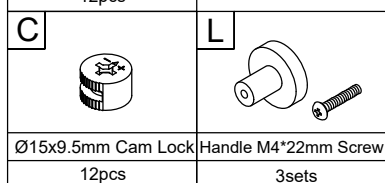
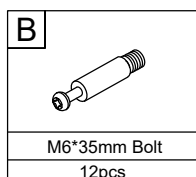
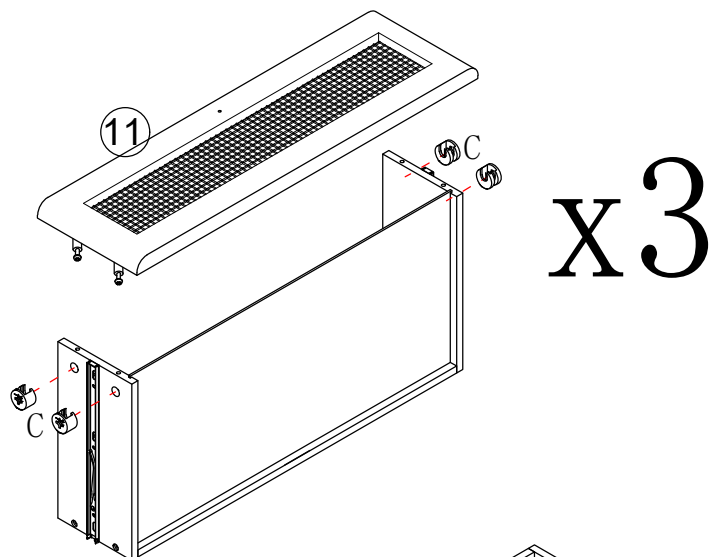
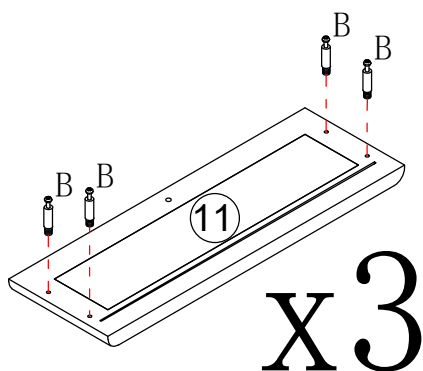
11



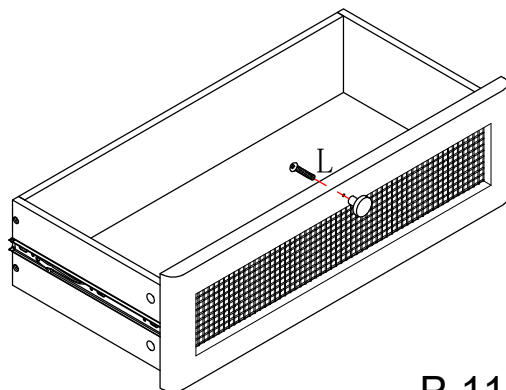
x3



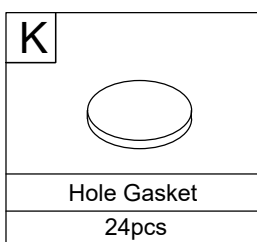
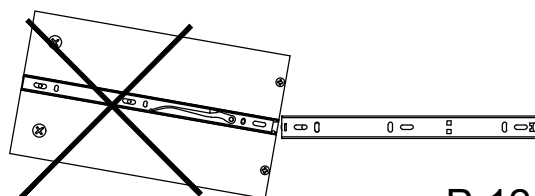
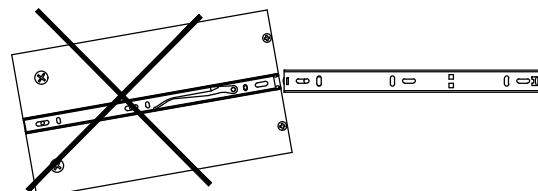
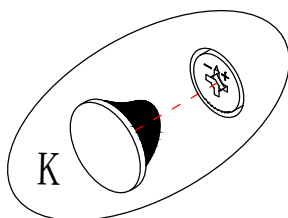
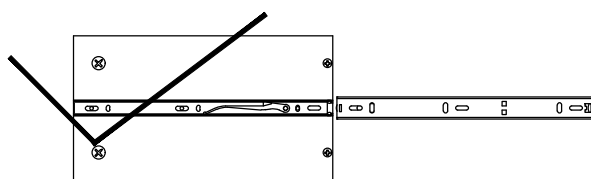
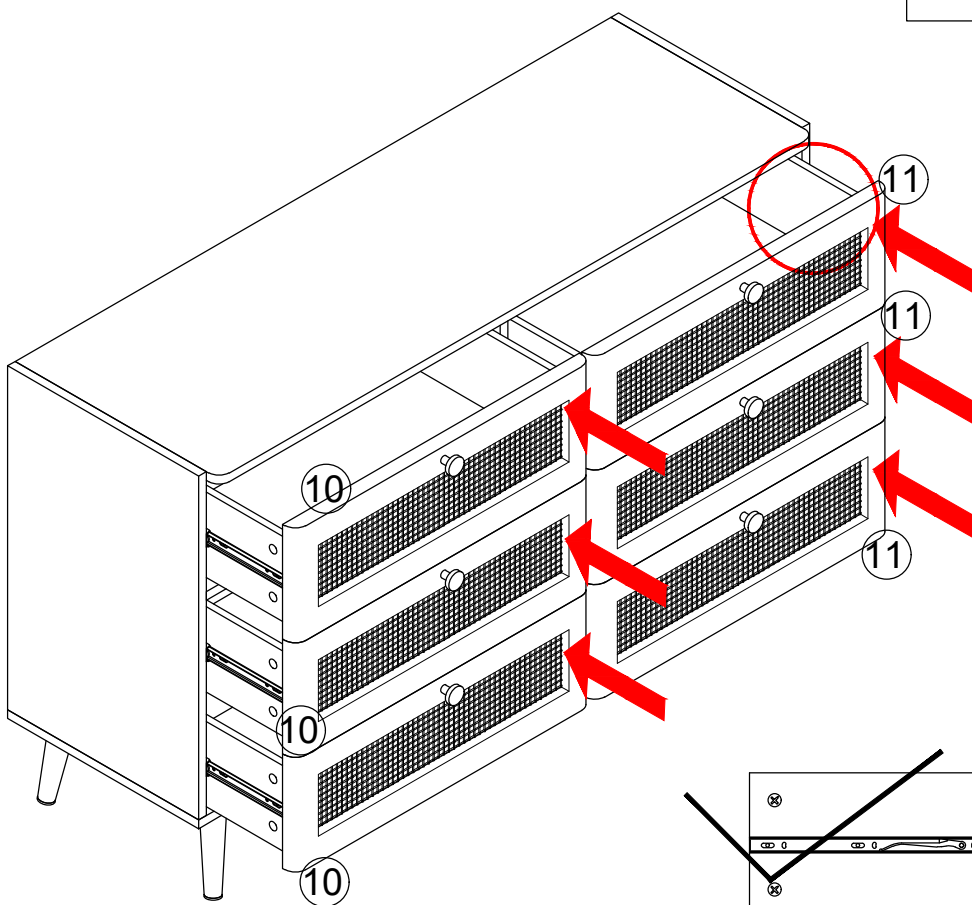
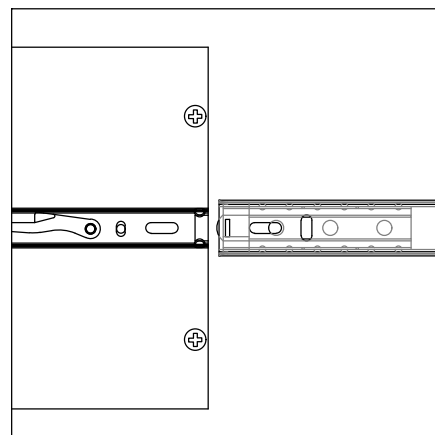
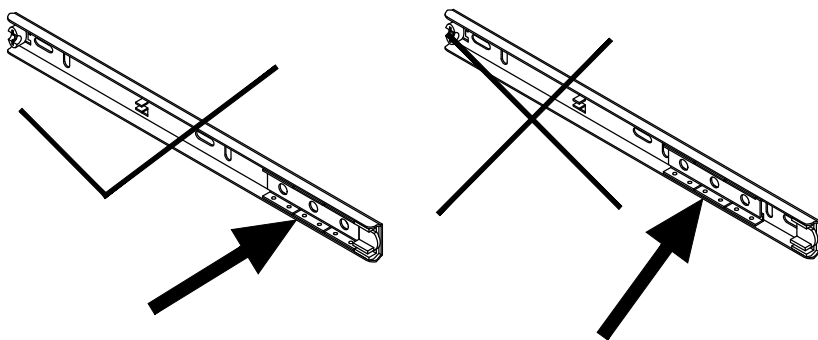
12



x3



13



P-12-13

WARNING: Please make the choice of screws according to your own wall for wall locking. In order to prevent overturning this product must be used with the wall attachment device provided.

