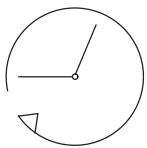
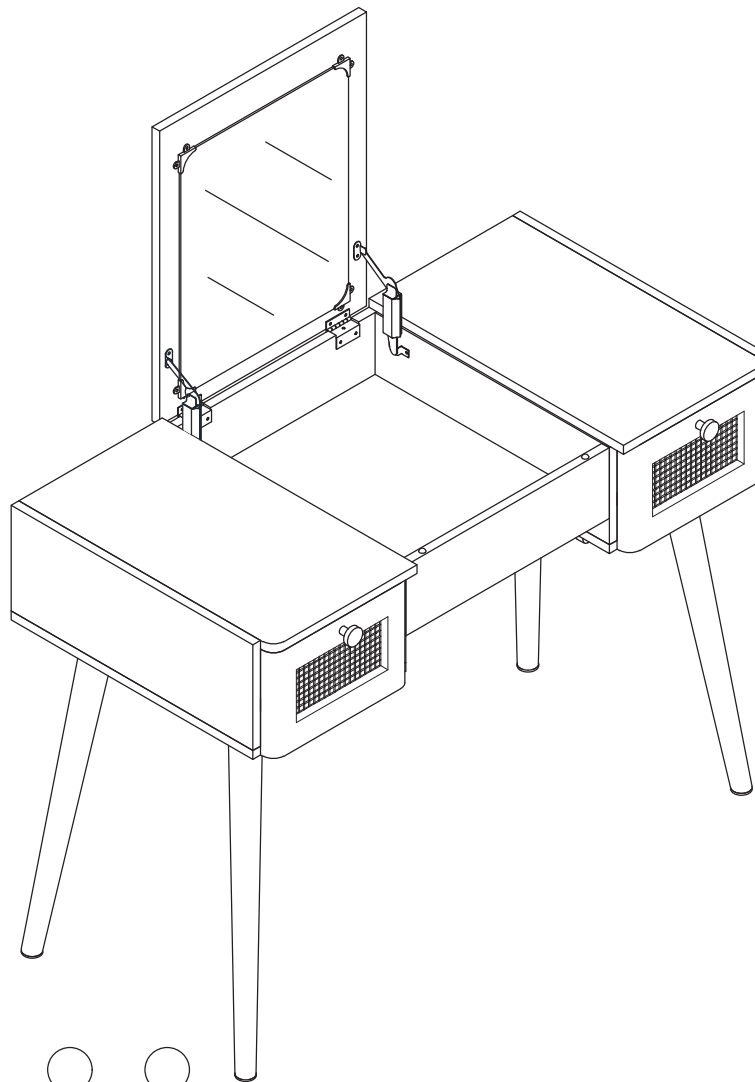
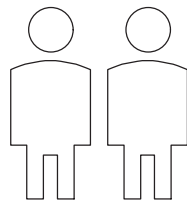


Aurelia Curved Rattan Storage Dressing Table with Mirror



Up to 45 minutes
assembly time



Two persons
assembly

This product is intended for domestic use only, not for commercial purposes.

IMPORTANT

ASSEMBLY TIP

Before you begin, it's best to identify all of the parts and fittings to build your Aurelia Curved Rattan Storage Dressing Table with Mirror with Mirror frame. We advise laying these out on the floor to check you have everything, and to familiarise yourself with all of the parts and fittings before building.

TOP TIP

We recommend that you assemble the Aurelia Curved Rattan Storage Dressing Table with Mirror in the room you'd like it to be located. This will help prevent any risk of damage to the frame whilst moving it.

SAFETY AND CARE

It's important to ensure children and animals are kept away from the assembly area, as there are small components used in this product which could present a choking hazard. All plastic and wrapping materials should also be kept away from children and animals to prevent any risk of suffocation.

HELP AND SUPPORT

Please contact our customer service team on 0113 519 0311 if you have any questions or issues with your purchase.

RECYCLING

Please ensure that packaging is disposed of in a safe and environmentally friendly way, and recycle where possible. Please keep your assembly instructions safe to refer back to in the future.

CARE AND MAINTENANCE:

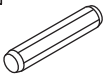
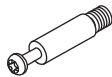

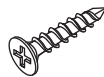

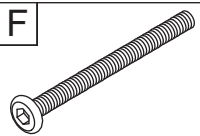
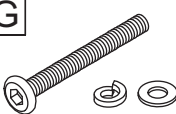
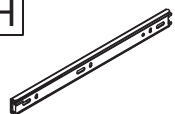
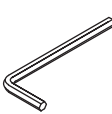
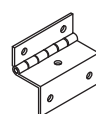





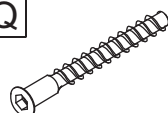
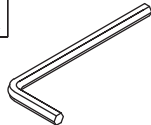


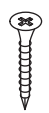
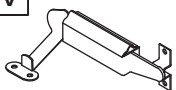
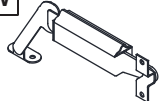
1. Only clean using a damp cloth, do not use bleach or abrasive cleaners as they may damage the finish over time.
2. Do not use a very wet cloth or allow any liquid to contact with the veneer for a long period of time. Wipe any spillage immediately. Absorption can cause wood to warp or finishes to de-laminate.
3. Do not scrub or rub the surface when cleaning.
4. Do not drag the Aurelia Curved Rattan Storage Dressing Table with Mirror when moving, lift it off the floor instead.
5. Use a placemat or a coaster when putting hot items (e.g. hot drinks and dishes) on the wood surface.
6. It is not recommended to place the item next to sources of heat such as radiators, fires or directly exposed to sunlight. This may cause the wood to crack, split or fade due to the heat and humidity.
7. Wood will mellow and change colour over time, we recommend that ornaments and items placed on the surface to be moved regularly to prevent uneven mellowing.
8. Regularly check all fixings to ensure none have come loose. Re-tighten if necessary.
9. Avoid sharp items such as a screwdriver or any pointy tools.
10. Dispose of all packaging carefully and responsibly - recycle where possible.

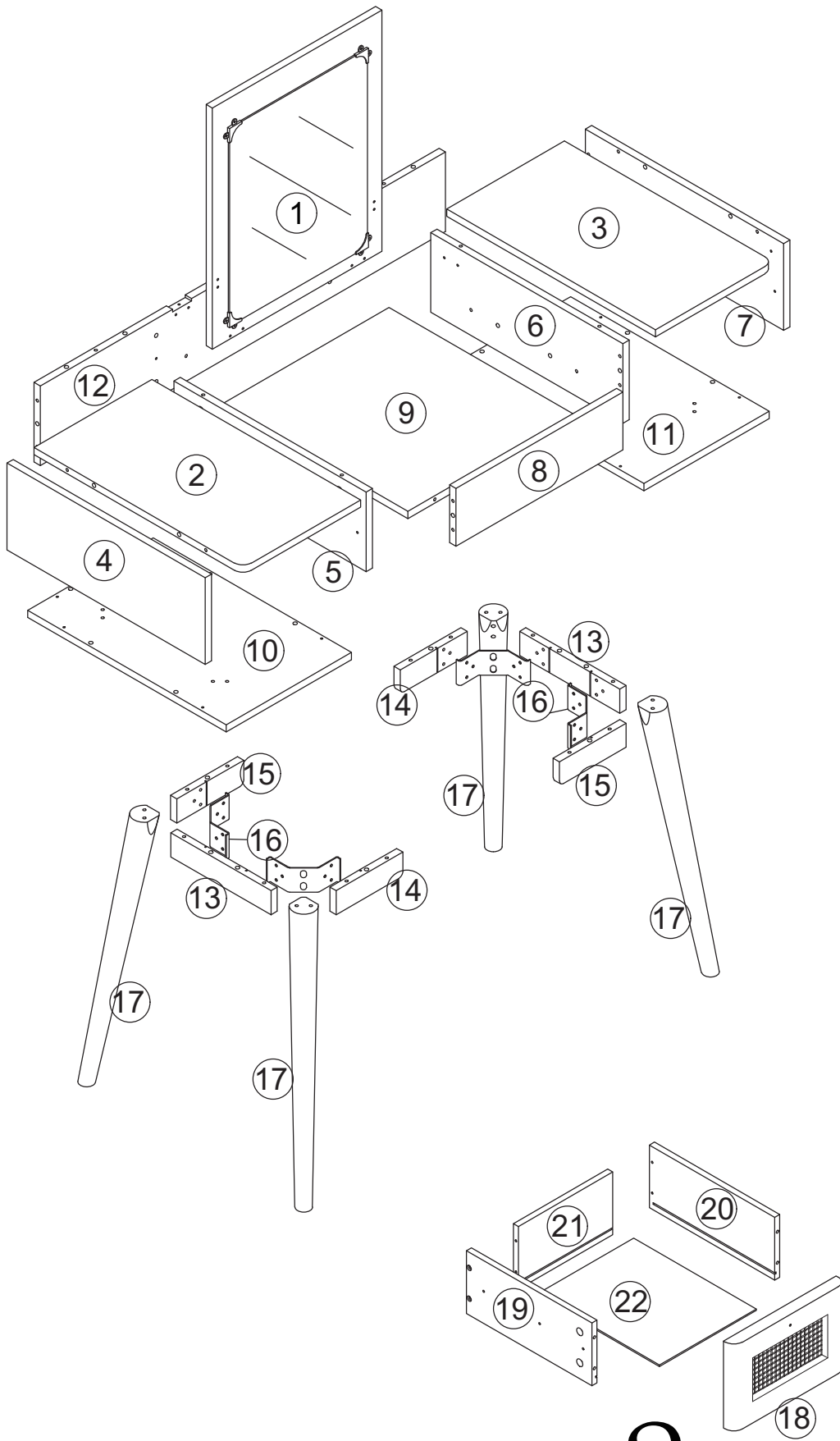
Before you begin building your Willow Bedside, please take a moment to read through the instructions and make sure that you have all the relevant parts listed on the parts check list.

PART CHECK LIST					
NO.	Part List	QTY	NO.	Part List	QTY
1	Top	1pc	12	Back Panel	1pc
2	Left Top	1pc	13	Support Panel	2pcs
3	Right Top	1pc	14	Support Panel	2pcs
4	Left Side Panel	1pc	15	Support Panel	2pcs
5	Mid Side Panel	1pc	16	Sidestay Blocks	4pcs
6	Mid Side Panel	1pc	17	Leg	4pcs
7	Right Side Panel	1pc	18	Drawer Front	2pcs
8	Front Panel	1pc	19	Drawer Left Side	2pcs
9	Mid Panel	1pc	20	Drawer Right Side	2pcs
10	Left Bottom Panel	1pc	21	Drawer Back Side	2pcs
11	Right Bottom Panel	1pc	22	Drawer Bottom	2pcs

Fittings

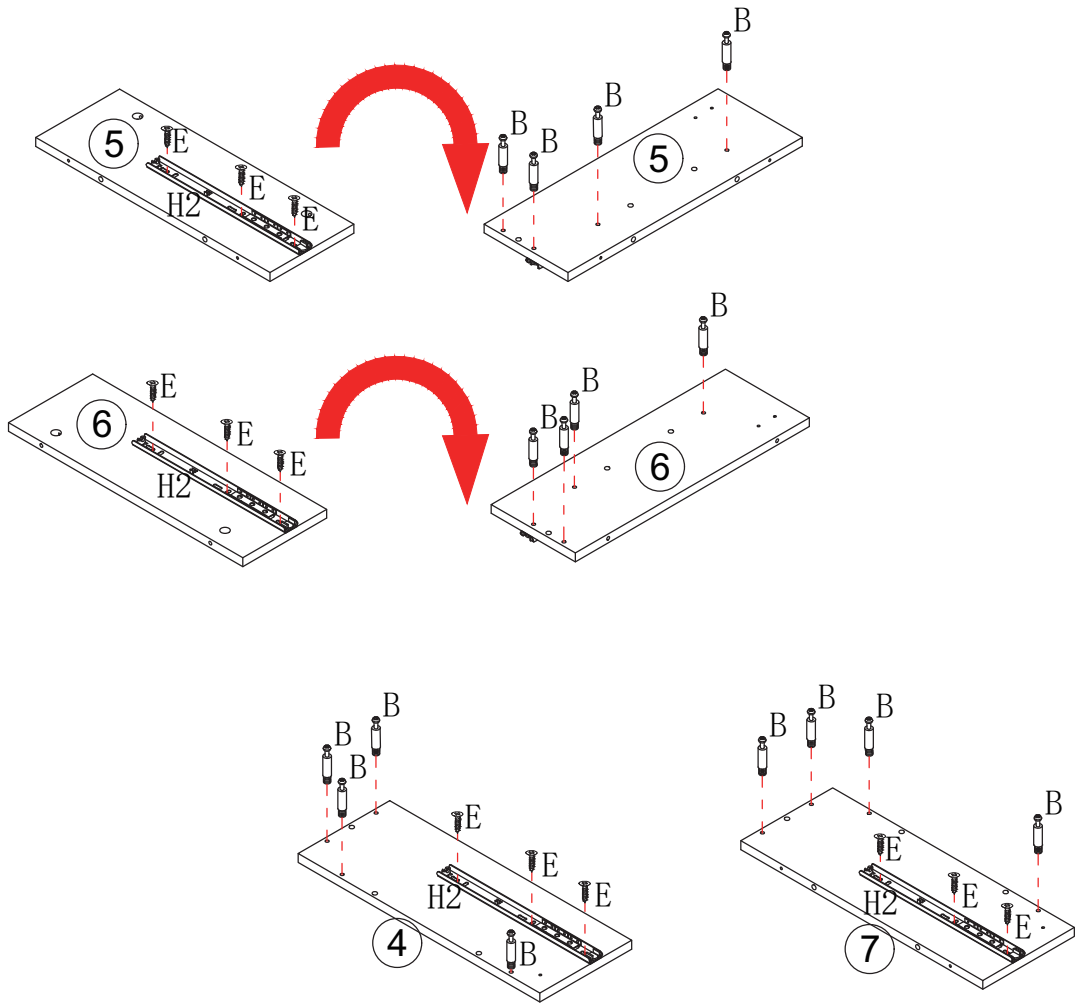
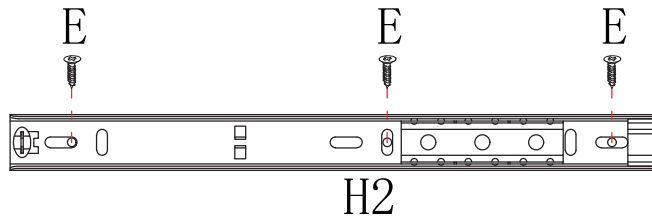
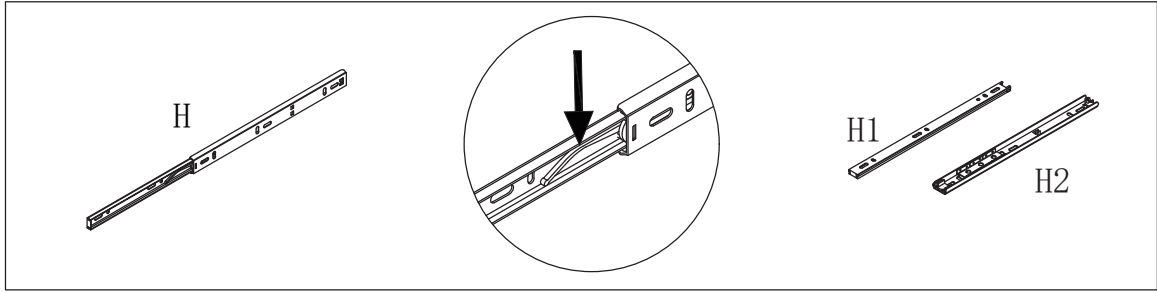
Please check you have all the fittings listed below with your product.

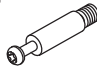

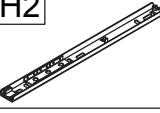
 <p>A</p> <p>Ø8x30mm Dowel 44pcs+5pcs extra</p>	 <p>B</p> <p>M6*35mm Bolt 34pcs+4pcs extra</p>	 <p>C</p> <p>Ø15x9.5mm Cam Lock 34pcs+4pcs extra</p>	 <p>D</p> <p>M4*35mm Screw 22pcs+2pcs extra</p>	 <p>E</p> <p>M3*12mm Screw 40pcs+4pcs extra</p>	 <p>F</p> <p>M6*50mm Screw 12pcs+1pc extra</p>
 <p>G</p> <p>M8*40mm Screw 8pcs+1pc extra</p>	 <p>H</p> <p>300mm Sliding Rail 4pcs</p>	 <p>I</p> <p>Ø4mm Allen Key 1pc</p>	 <p>J</p> <p>Hinge 2pcs</p>	 <p>K</p> <p>Hole Gasket 8pcs+1pc extra</p>	 <p>L</p> <p>Handle M4*22mm Screw 2sets</p>
 <p>M</p> <p>Anti-Tip Iron Sheet 2pcs</p>	 <p>N</p> <p>Supporting Iron 2pcs</p>	 <p>P</p> <p>M4*12mm Screw 32pcs+4pcs extra</p>	 <p>Q</p> <p>M7*50mm Screw 8pcs+1pc extra</p>	 <p>R</p> <p>Ø5mm Allen Key 1pc</p>	 <p>S</p> <p>Foot Gasket 4pcs</p>
 <p>T</p> <p>Rubber Mat 2pcs</p>	 <p>U</p> <p>M3*16mm Screw 2pcs</p>	 <p>V</p> <p>Right Curved Hand Rod 1pc</p>	 <p>W</p> <p>Left Curved Hand Rod 1pc</p>		



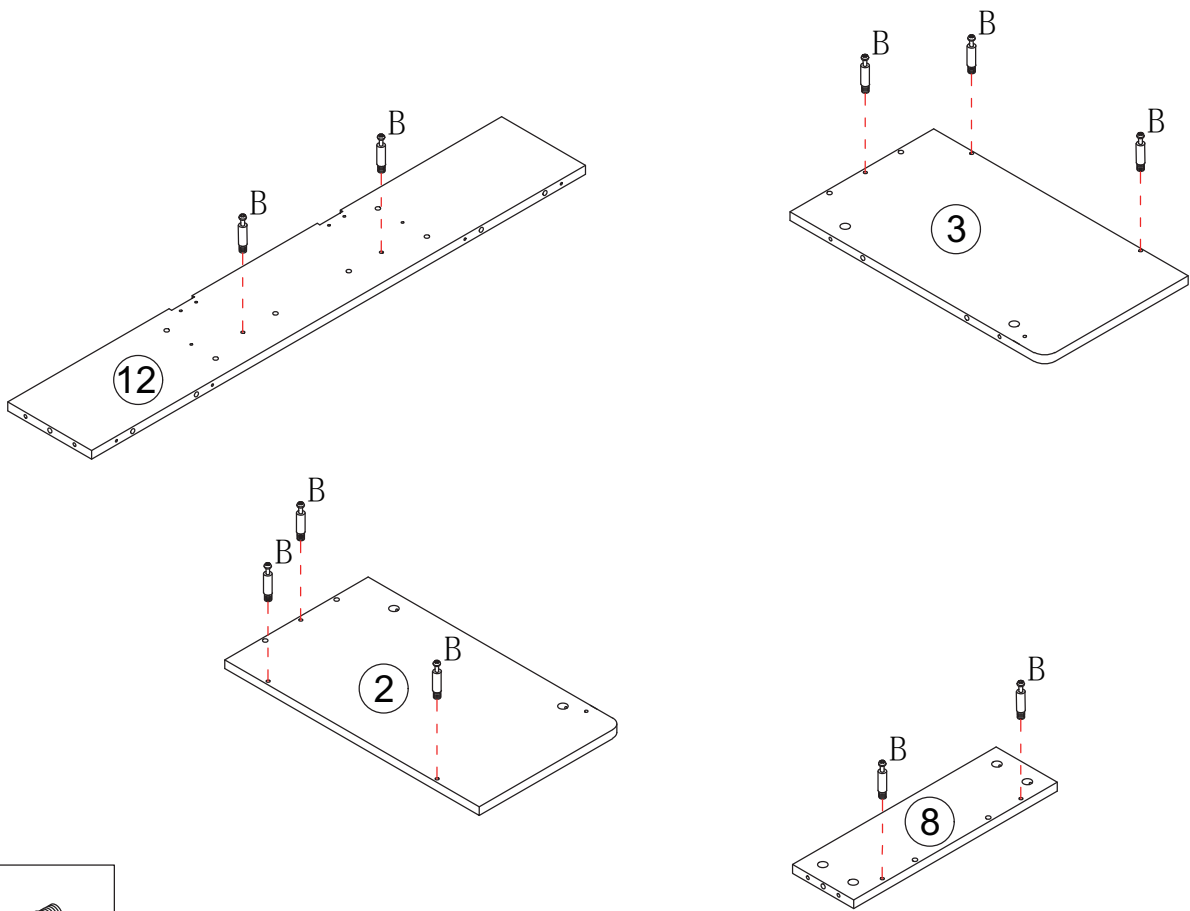
x2

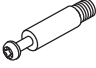
1



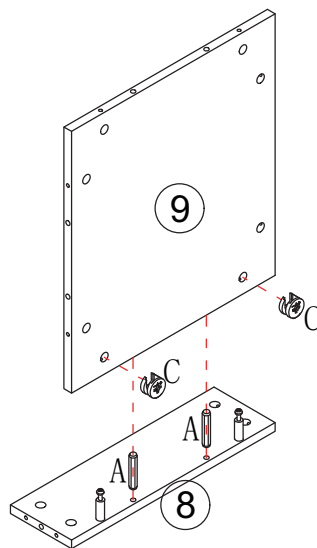
B	E	H2
		
M6*35mm Bolt 16pcs	M3*12mm Screw 12pcs	Ball Bearing Slide 4pcs

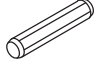

2



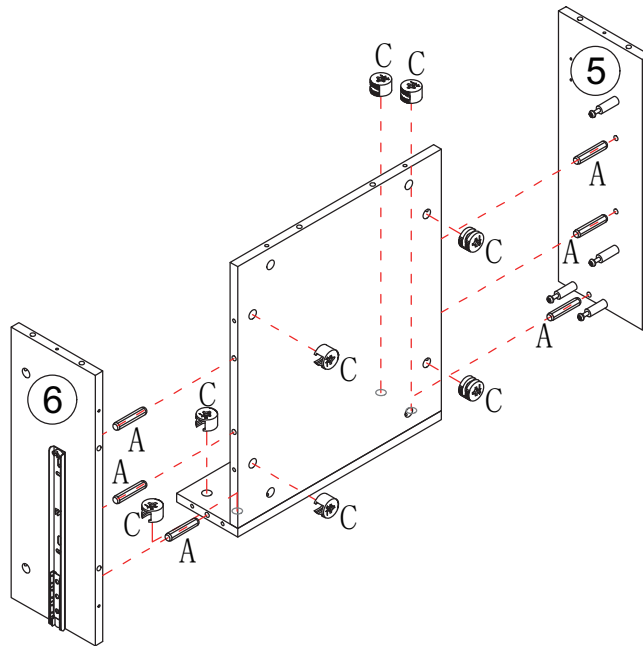
B	
M6*35mm Bolt	
10pcs	

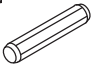

3



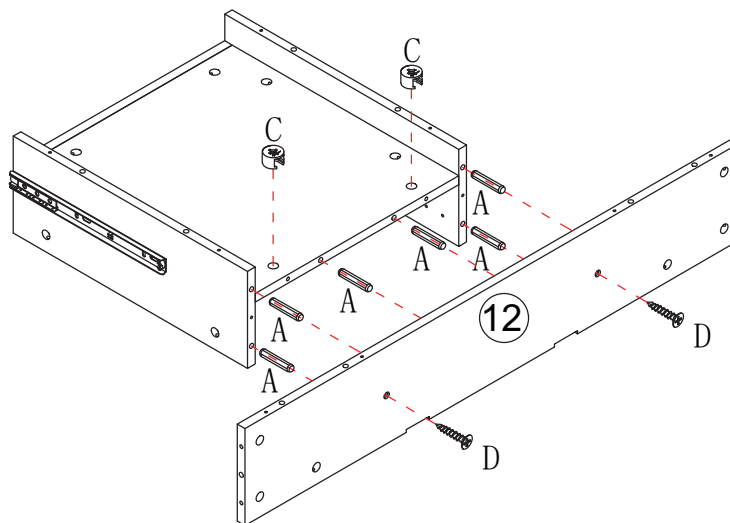
A		C	
Ø8x30mm Dowel		Ø15x9.5mm Cam Lock	
2pcs		2pcs	

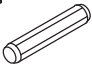


4



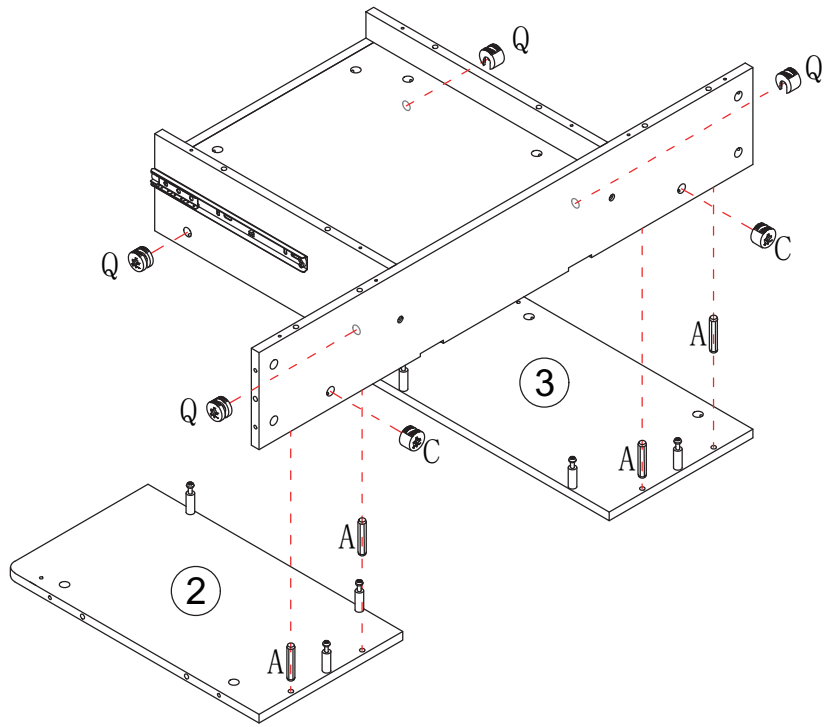
<p>A</p> 	<p>C</p> 
<p>Ø8x30mm Dowel 6pcs</p>	<p>Ø15x9.5mm Cam Lock 8pcs</p>

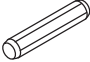

5



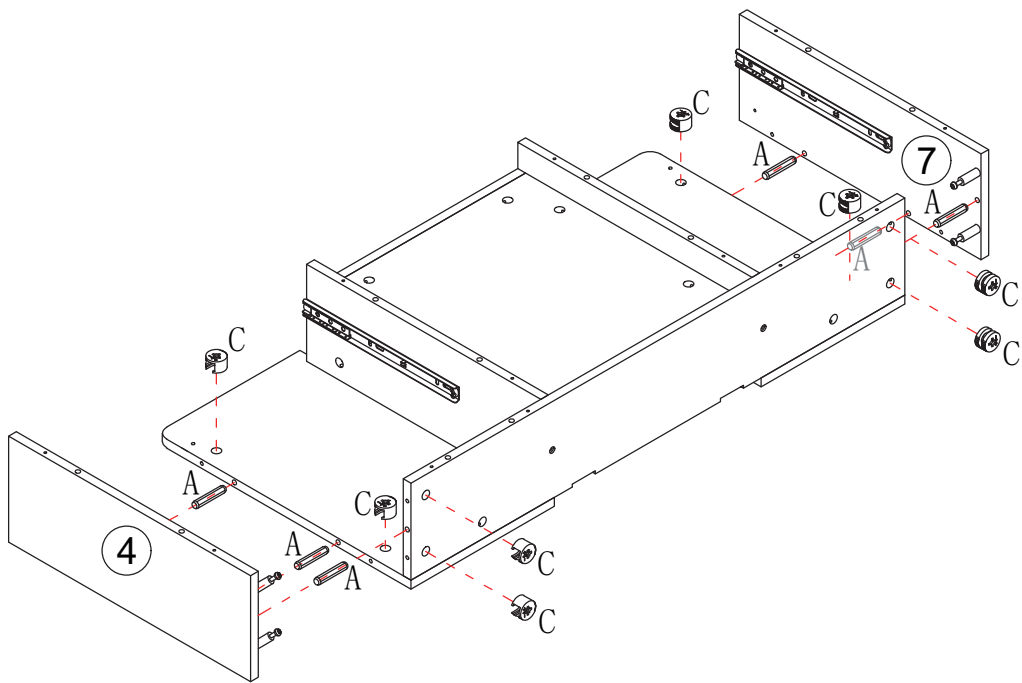
<p>A</p> 
<p>Ø8x30mm Dowel 6pcs</p>
<p>C</p> 
<p>Ø15x9.5mm Cam Lock 2pcs</p>
<p>D</p> 
<p>M4*35mm Screw 2pcs</p>

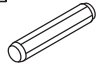

6



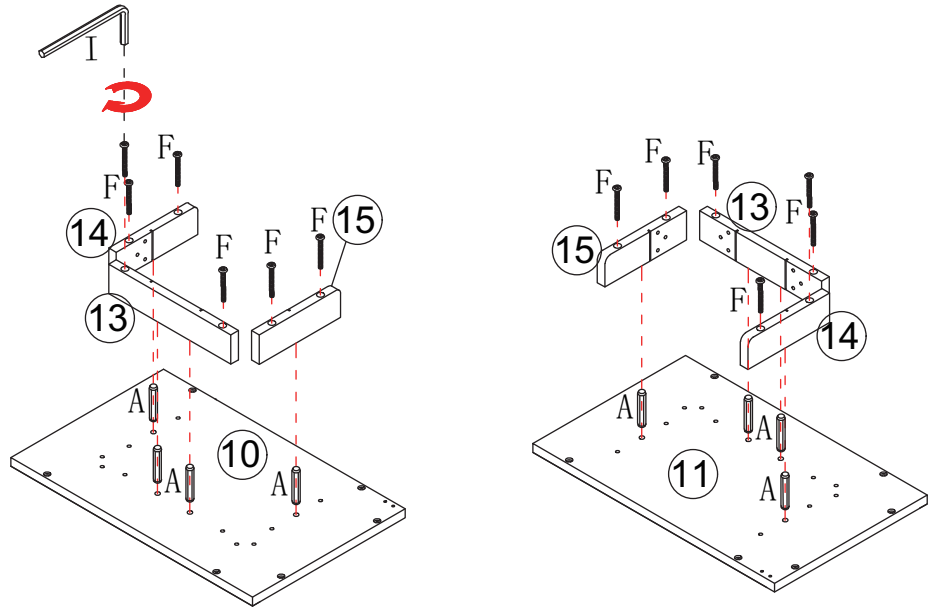
A	
Ø8x30mm Dowel 4pcs	
C	
Ø15x9.5mm Cam Lock 6pcs	

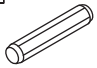
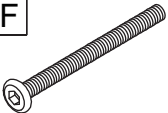
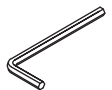
7



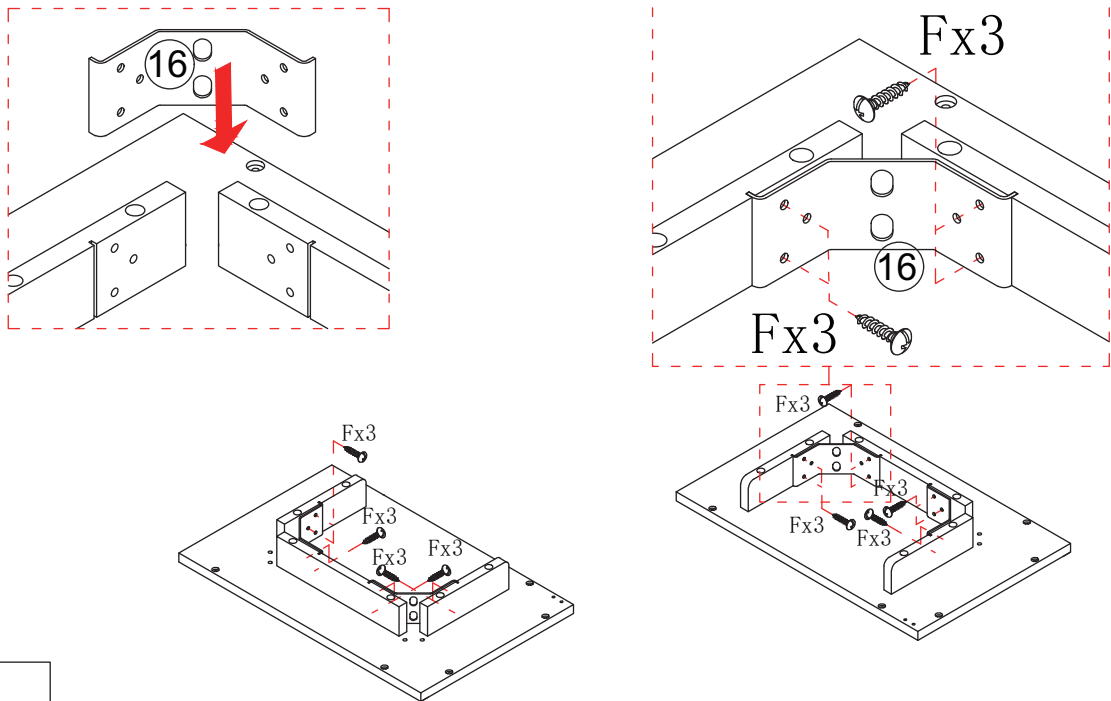
A		C	
Ø8x30mm Dowel 6pcs		Ø15x9.5mm Cam Lock 8pcs	


8



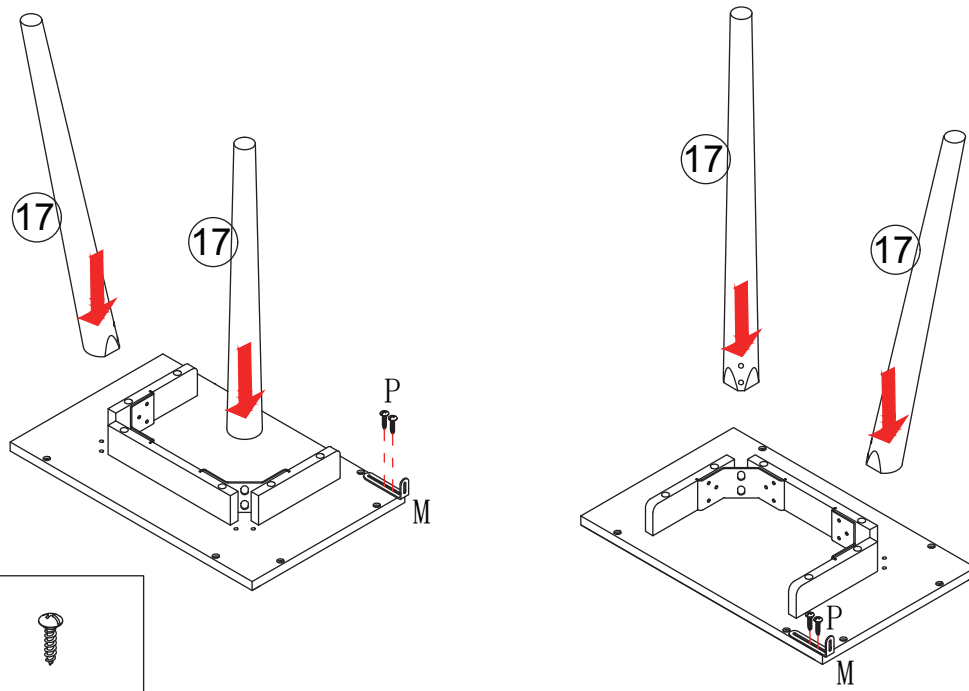
A	
	
Ø8x30mm Dowel 8pcs	
F	I
	
M6*50mm Screw 12pcs	Ø4mm Allen Key 1pc



9



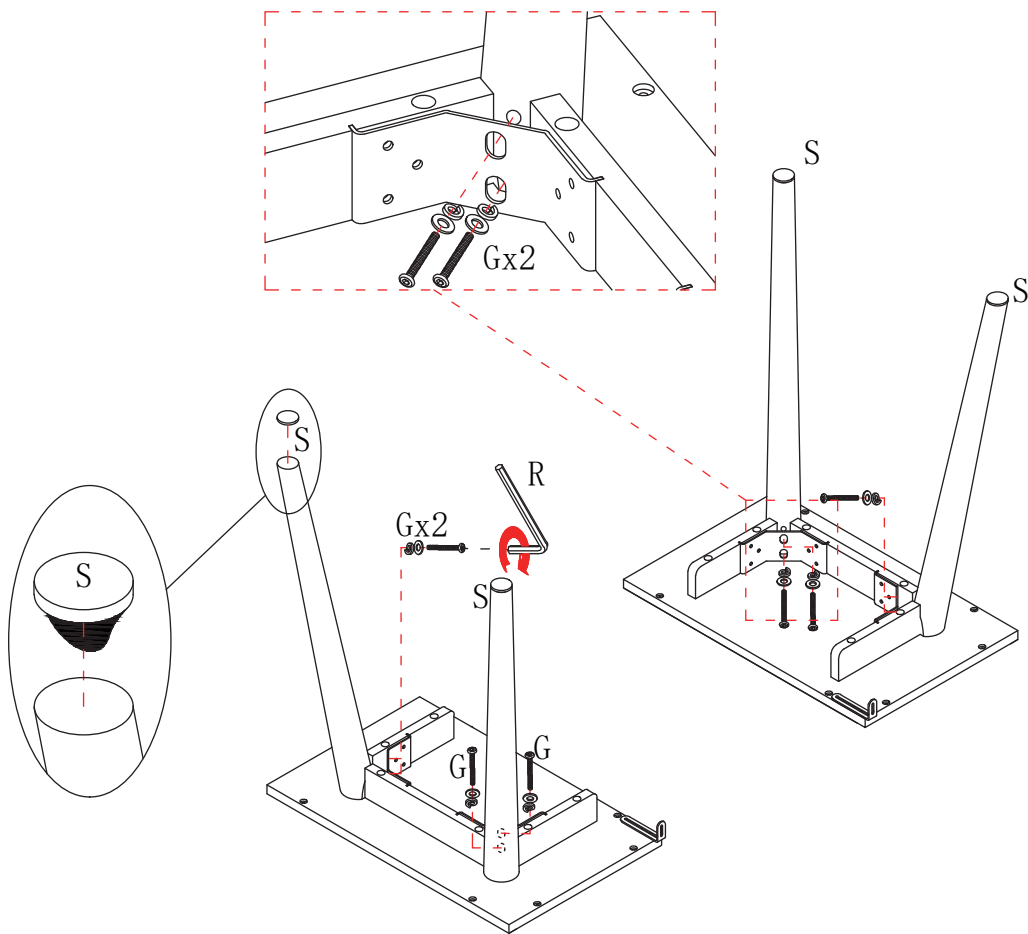
P

M4*12mm Screw 24pcs

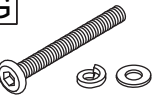

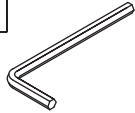
10



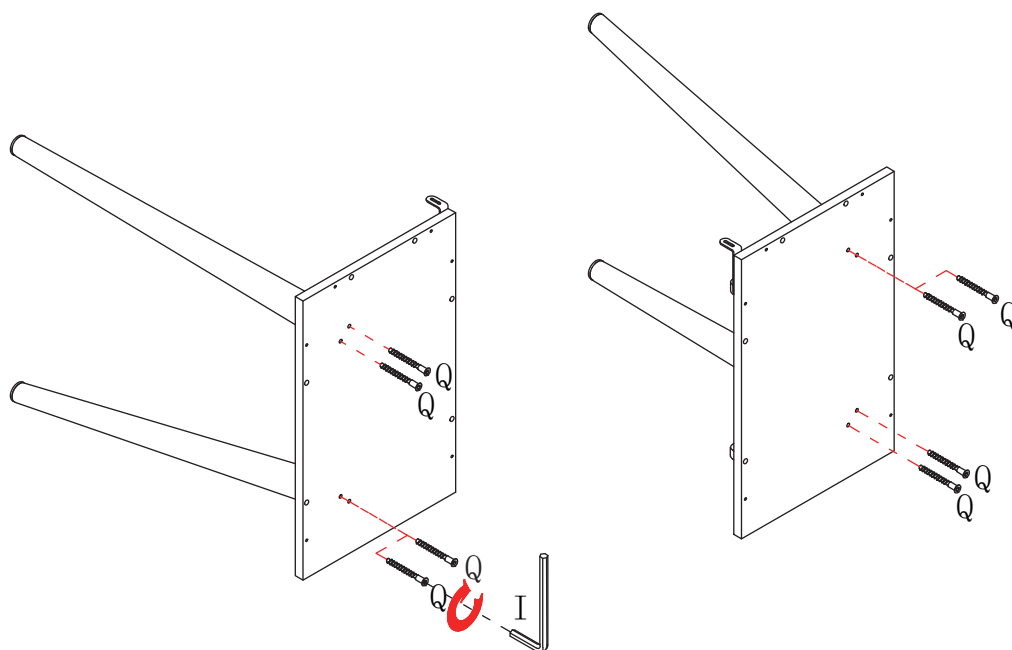
M	P
	
Anti-Tip Iron Sheet 2pcs	M4*12mm Screw 4pcs

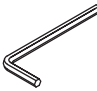
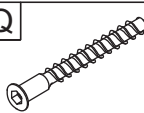
11



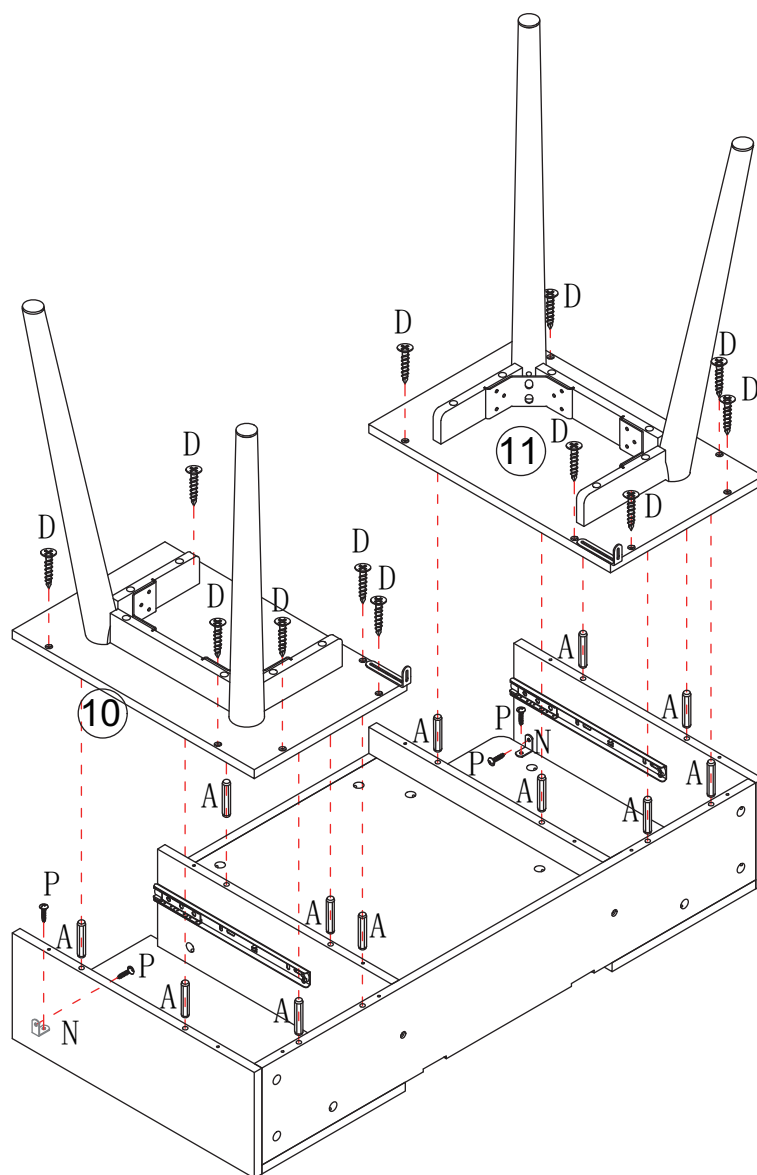
G	
M8*40mm Screw 8pcs	
S	
Foot Gasket 4pcs	
R	
Ø5mm Allen Key 1pc	

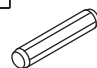



12



I	
Ø4mm Allen Key	
1pc	
Q	
M7*50mm Screw	
8pcs+1pc extra	

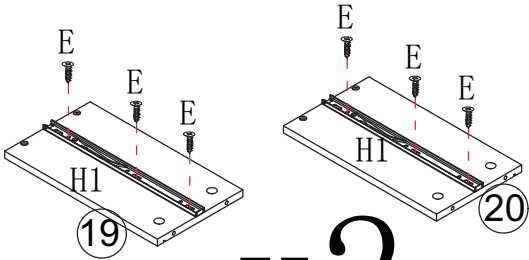
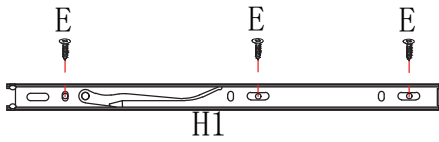
13



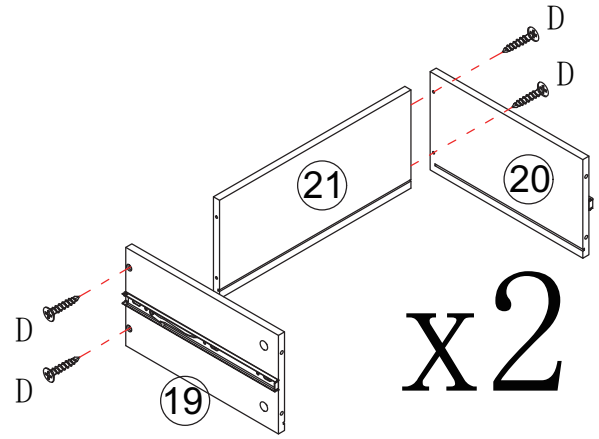
A	
Ø8x30mm Dowel	
12pcs	
D	
M4*35mm Screw	
12pcs	
N	
Supporting Iron	
2pcs	
P	
M4*12mm Screw	
4pcs	

P-11-15

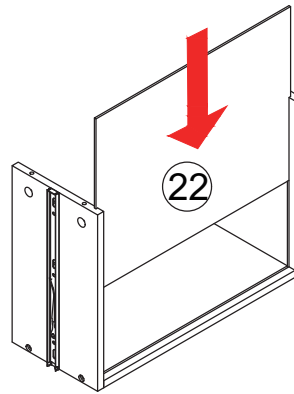
14





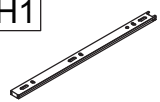
x2



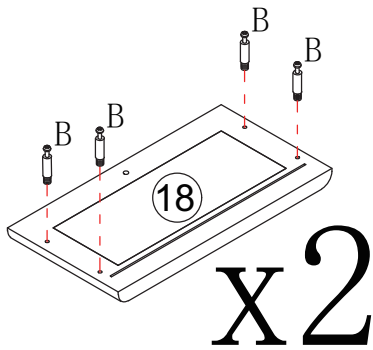
x2



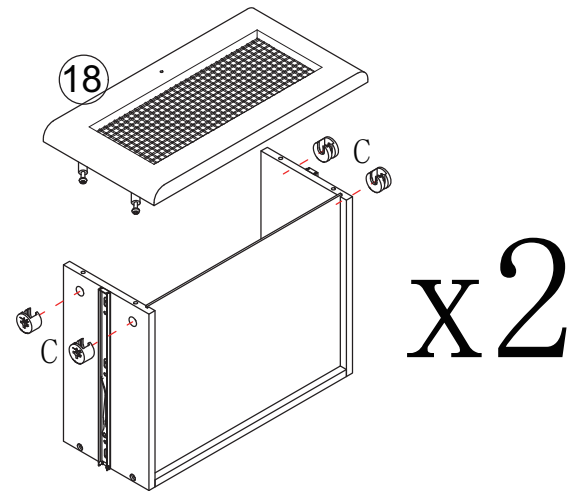
x2

D	E	H1
		
M4*35mm Screw 8pcs	M3*12mm Screw 12pcs	Ball Bearing Slide 4pcs

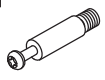


15

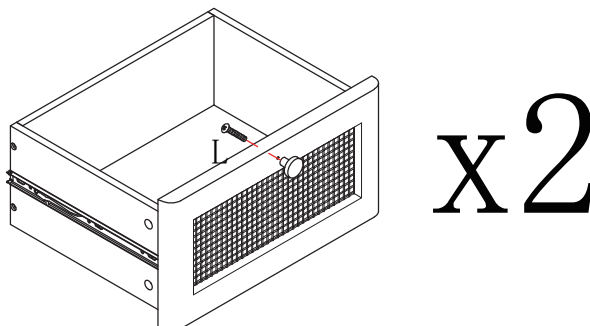


x2

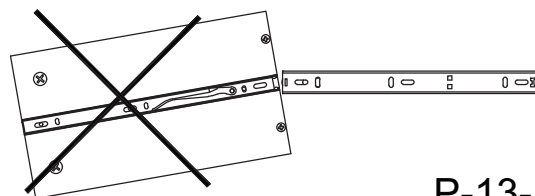
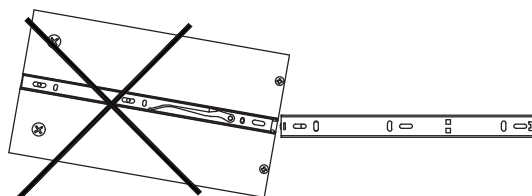
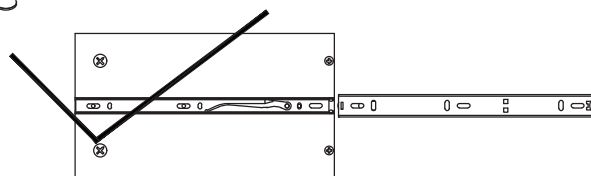
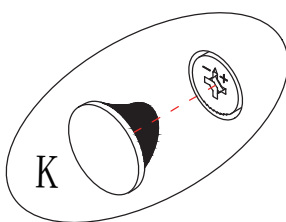
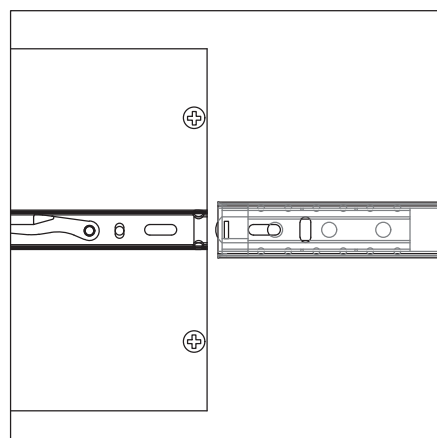
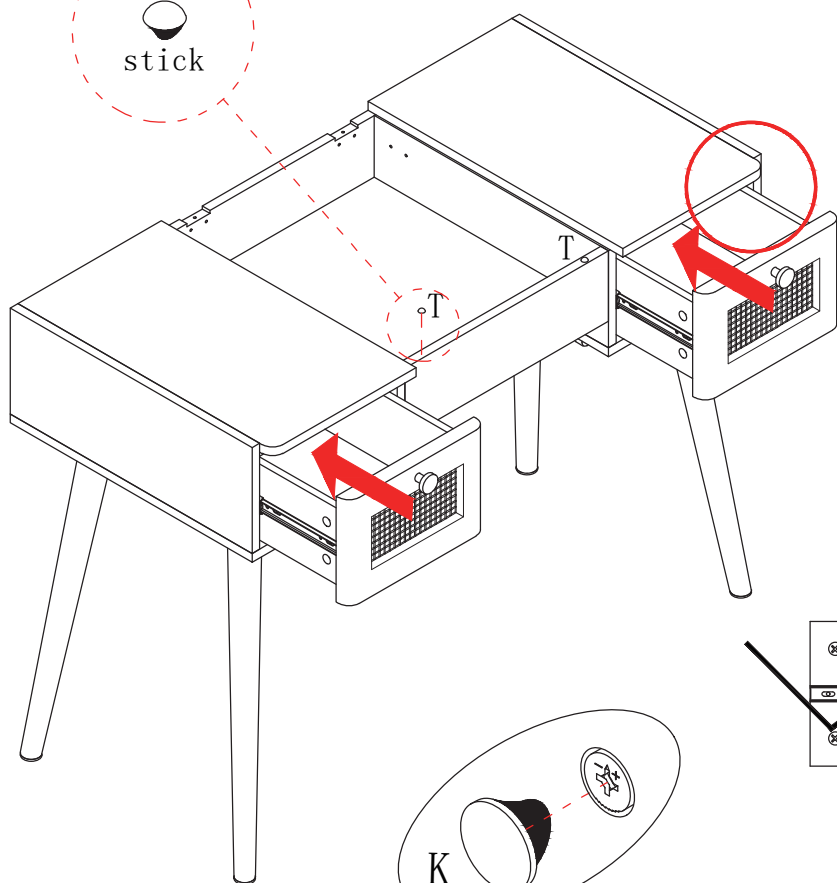
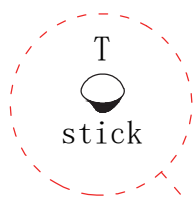
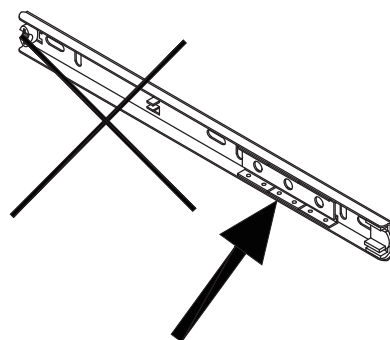
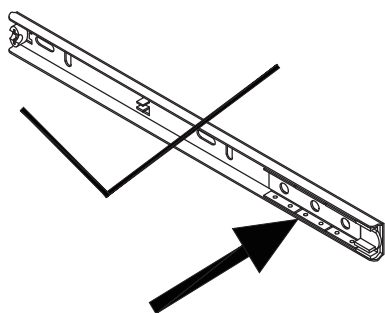




x2

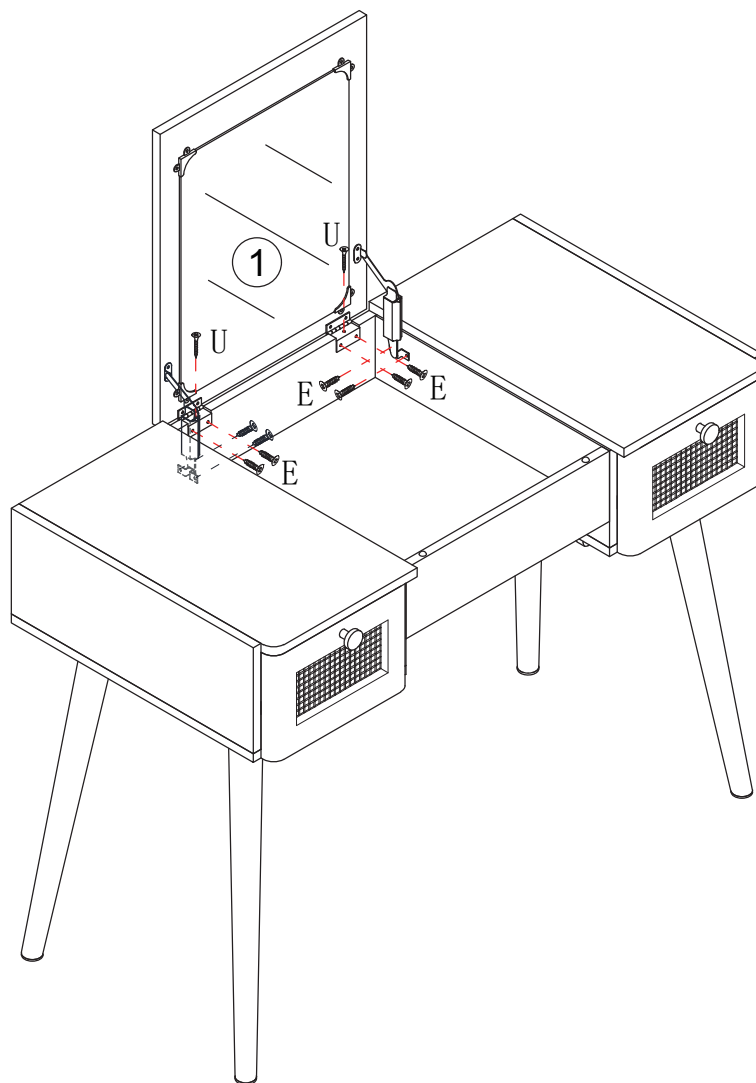
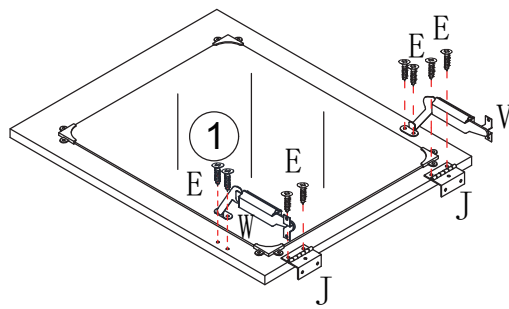
B		
		
M6*35mm Bolt 8pcs		
C	L	
		
Ø15x9.5mm Cam Lock 8pcs	Handle M4*16mm Screw 2sets	


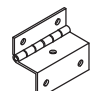
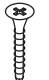
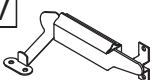
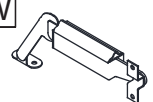


x2



K	T
	
Hole Gasket 8pcs	Rubber Mat 2pcs



E 	J 	U 	V 	W 
M3*12mm Screw 16pcs	Hinge 2pcs	M3*16mm Screw 2pcs	Right Curved Hand Rod 1pc	Left Curved Hand Rod 1pc

WARNING: Please make the choice of screws according to your own wall for wall locking. In order to prevent overturning this product must be used with the wall attachment device provided.

